



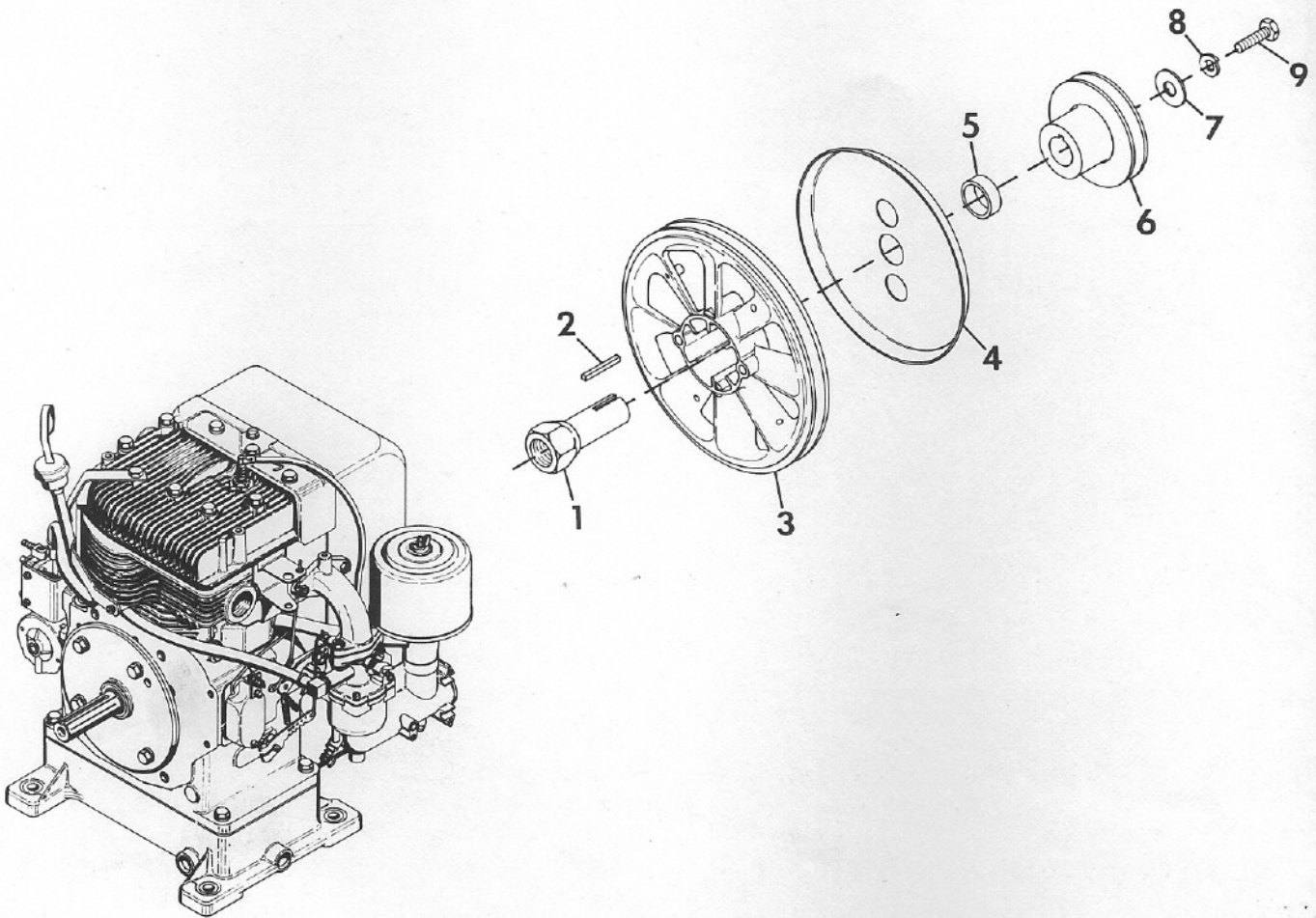
---

# VAC DRIVE KIT 16-HP BRIGGS & STRATTON ENGINE

### Installation

1. Remove the four screws which attach the screen to the flywheel.
2. Remove the two bolts which attach the fan and remove the fan.
3. Remove the bolts which attach the flywheel nut lock and remove.
4. Unscrew the drive adaptor.
5. Screw the new drive adaptor onto the crankshaft. Secure with the flywheel nut lock and bolts.
6. Put the new fan in place and secure with the same bolts.
7. Put the new screen in place on the fan with the holes aligned. Secure with four screws.
8. Slide the pulley spacer on the drive adaptor.
9. Put the key in the keyway in the drive adaptor.
10. Slide the sheave on the drive adaptor. Secure with a flat washer, lock washer, and 7/16-20x1.5 bolt.

Illustrated Parts and Parts Lists



ITEM NO.	PART NO.	QTY.	DESCRIPTION
1	37057	1	Adaptor, Drive Briggs
2	18345	1	Key, Square .250x1.250
3	37514	1	Fan, Auxiliary
4	37058	1	Screen, Grass Briggs
5	36955	1	Spacer, Pulley
6	36963	1	Sheave, Engine
7	37515	1	Washer, Flat 1.25x.50 Hard
8	120383	1	Washer, Lock 7/16 Reg.
9	181670	1	Bolt, Hex 7/16-20x1.50