



your grass catcher before using it.

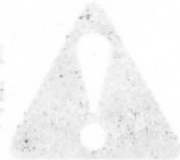
To keep the warranty, the glass catcher must be maintained and operated as directed in this manual.

1. INSTRUCTIONS FOR SAFE OPERATION
All references to "left-side", "right-side", "front", and "back" are given from the operator's position.

2. Use the serial number to ensure prompt and correct service when ordering parts, requesting service, or making inquiries.

VAC CART KIT 8000 SERIES TRACTORS

Look for this symbol to point out important safety precautions. It means -- ATTENTION! BECOME ALERT! YOUR SAFETY IS INVOLVED.



GRAVELLY

NOTE

Read this manual carefully and learn to operate and service

your grass catcher before using it.

To keep the warranty, the grass catcher must be maintained and operated as directed in this manual.

All references to "left-side", "right-side", "front", and "back" are given from the operator's position.

Use the serial number to ensure prompt and correct service when ordering parts, requesting service, or making inquiries.

VAC CART KIT
8000 SERIES TRACTORS
SERIAL NUMBER _____



Look for this symbol to point out important safety precautions. It means -- ATTENTION! BECOME ALERT! YOUR SAFETY IS INVOLVED.

SECTION I

1. Wear foot and eye protection, do not wear loose clothing.

Instructions for Safe Operation

Improper use of this grass vacuum can injure people and damage the equipment. People using or servicing this grass catcher must read and follow the instructions in this manual.

It is important to understand this manual and any other Gravelly instruction manuals do not cover every possible danger. It is impossible for Gravelly to know of all possible dangers in operating and servicing the tractor and attachments.

CONTENTS

The purchaser must read and maintain this grass catcher. These pages are for use as a reference only.

1. INSTRUCTIONS FOR SAFE OPERATION

2. OPERATING INSTRUCTIONS

3. SERVICE INSTRUCTIONS

4. ILLUSTRATED PARTS AND PARTS LIST

5. ASSEMBLY

6. WARRANTY

When hauling the tractor, disconnect the battery and never hitch to the transporting vehicle. Never connect from control levers, levers or other transporters should be damaged.

Operate the equipment only when discharge chute is in the correct place or the complete grass catcher with collector hood and tube is in place. Ignition key.

If there is an engine problem or vibration or noise, stop the engine and check the equipment. Do not repair or replace any parts until the problem is corrected.

SECTION 1

Instructions for Safe Operation

Improper use of this grass vacuum can injure people and damage the equipment. People using or servicing this grass catcher must read and follow the instructions in this manual.

It is important to understand that this manual and any other Gravely instruction manuals do not cover every possible danger. It is impossible for Gravely to know of all possible dangers in operating and servicing the tractor and attachments.

The purchaser must give these instructions to the people operating and maintaining this grass catcher. These people must use eye and foot protection.

1.1 Preparation:

1. Read the tractor and the vac operator's manuals carefully.
2. Learn the location and function of all tractor and attachment controls.
3. Learn how to use the controls to stop the tractor and attachment.
4. Use caution with gasoline. Gasoline is very flammable. Keep it in a clean and tight container away from flames or hot items. Never put gasoline in the fuel tank while the engine is running or hot. Clean up spilled gasoline before starting engine.
5. Be certain that all shields, guards, and interlock switches are in the correct positions.
6. When hauling the tractor, connect the chassis and rear hitch to the transporting vehicle. Never connect from control levers, rods, or like items that could be damaged.
7. Operate the equipment only when discharge chute is in place or the complete grass catcher with collector boot and tube is in place.

1.2 Operation:

1. Wear foot and eye protection. Do not wear loose clothing.
2. Do not use the equipment in the dark without adequate lighting.
3. Keep the grass catcher in good condition. Maintain it as directed in this manual.
4. Replace all parts that become damaged or lost.
5. USE ONLY GRAVELY ACCESSORIES AND ATTACHMENT OR ATTACHMENTS GRAVELY HAS APPROVED FOR USE WITH THIS TRACTOR.
6. Do not overspeed the engine. Do not override the governor.
7. Keep away from moving parts.
8. Keep people and animals away from the operating area.
9. Do not let people other than the operator ride on the tractor.
10. Use a slow speed and engage the direction control lever slowly when operating on slopes.
11. Look for and keep away from hazards.
12. Shut engine off, move the PTO Control to "OFF", and remove ignition key before unclogging chute or removing grass catcher.
13. Look behind when operating in reverse.
14. After hitting an object with the equipment, stop the engine and check for damage. Repair any damage before continuing operation.
15. Operate the tractor only from the seat.
16. Travel up and down, not across slopes.
17. Never permit children to operate the tractor.
18. Before leaving the tractor, move the PTO Control to "OFF", lower mower, lock the brake, and remove the ignition key.
19. If there is a sudden change in the sound or vibration of the equipment, stop the engine and check for damage. Repair any damage or failure before continuing operation.

20. Never run the engine indoors except to move it outside. Exhaust fumes are dangerous.
21. Go slow on slick surfaces.
22. Follow traffic laws when operating on or near a road.
23. Before making adjustments or servicing, move the PTO to "OFF", turn the ignition switch to "OFF", and wait until all moving parts completely stop.
24. Keep the PTO control in the "OFF" position when transporting.

SECTION 2

Operating Instructions

2.1 General:

1. When starting to cut grass with the vac in place, start at a slower than normal ground speed but with throttle set for high engine speed. Use the Gear Selector Lever to control speed. Select the gear for the best cutting and vac action. The heavier and wetter the grass, the slower the ground speed.
2. With lush, extra heavy or wet grass, it may be necessary to make two passes. First cut at maximum cutting height from ground surface, then recut at the lower setting. When the liners are full, they may be tied up while in the basket, then lifted from the baskets for disposal. It may be easier to remove the liners from the baskets by laying the basket on its side and removing the liner.
3. If the hose plugs, momentarily stop ground travel and allow it to clear. IF THE HOSE DOES NOT CLEAR, PUT THE PTO IN THE "OFF" POSITION AND STOP THE TRACTOR ENGINE BEFORE ATTEMPTING TO CLEAR THE HOSE.
4. Successful operation results from the thoughtful management of several variables:
 - a. Catcher will work best in dry grass. Between 10 a.m. and 6 p.m. would be an ideal time, after dampness has left in the morning but before evening dew.
 - b. Use fast throttle setting on the tractor at all times, since this gives better air flow in the basket or cart.
 - c. Try different travel speeds. Generally, third to fifth speeds are best.

2.2 CAUTION:

1. Be sure the boot, hoses, and blower drive are properly assembled and secured prior to operating the vac and mower.
2. Always move the PTO to "OFF", turn the ignition switch to "OFF" and wait until all parts have stopped moving before unplugging the hoses.


2.3 Empty the cart as follows:

1. Transport the cart to the dumping area.
2. Loosen the knob on the hose connecting tube and disconnect the hose at the cart.
3. Loosen the knobs on the rear gate.
4. Swing the rear gate up and secure with the hold down strap.
5. Remove the cart tail gate.
6. Unlatch the handle and dump the cart.

2.4 Use the hold down strap to keep the rear gate open for dumping the cart or servicing. The hold down strap will stretch if left connected to the rear gate for a long period of time.

2.5 Clean the cart thoroughly before storage.

2.6 Empty the cart before parking. Damp grass clippings can ferment and possibly catch fire.

 CAUTION

1. Be sure the boot, hoses, and power drive are properly assembled and secured prior to operating the vacuum mower.
2. Always move the PTO to "OFF", turn the ignition switch to "OFF" and wait until all parts have stopped moving before unplugging the hoses.

SECTION 3

Service Instructions

3.1 When the Vac Stops Collecting, Check the Following:

1. Be sure the mower has a sharp Gravely blade on it.
2. Low tip speed on blade--check engine RPM and increase to a maximum of 3300 RPM, decrease ground speed.
3. High ground speed on tractor--shift to lower gear.
4. Grass conditions--grass must be dry.

3.2 Removal:

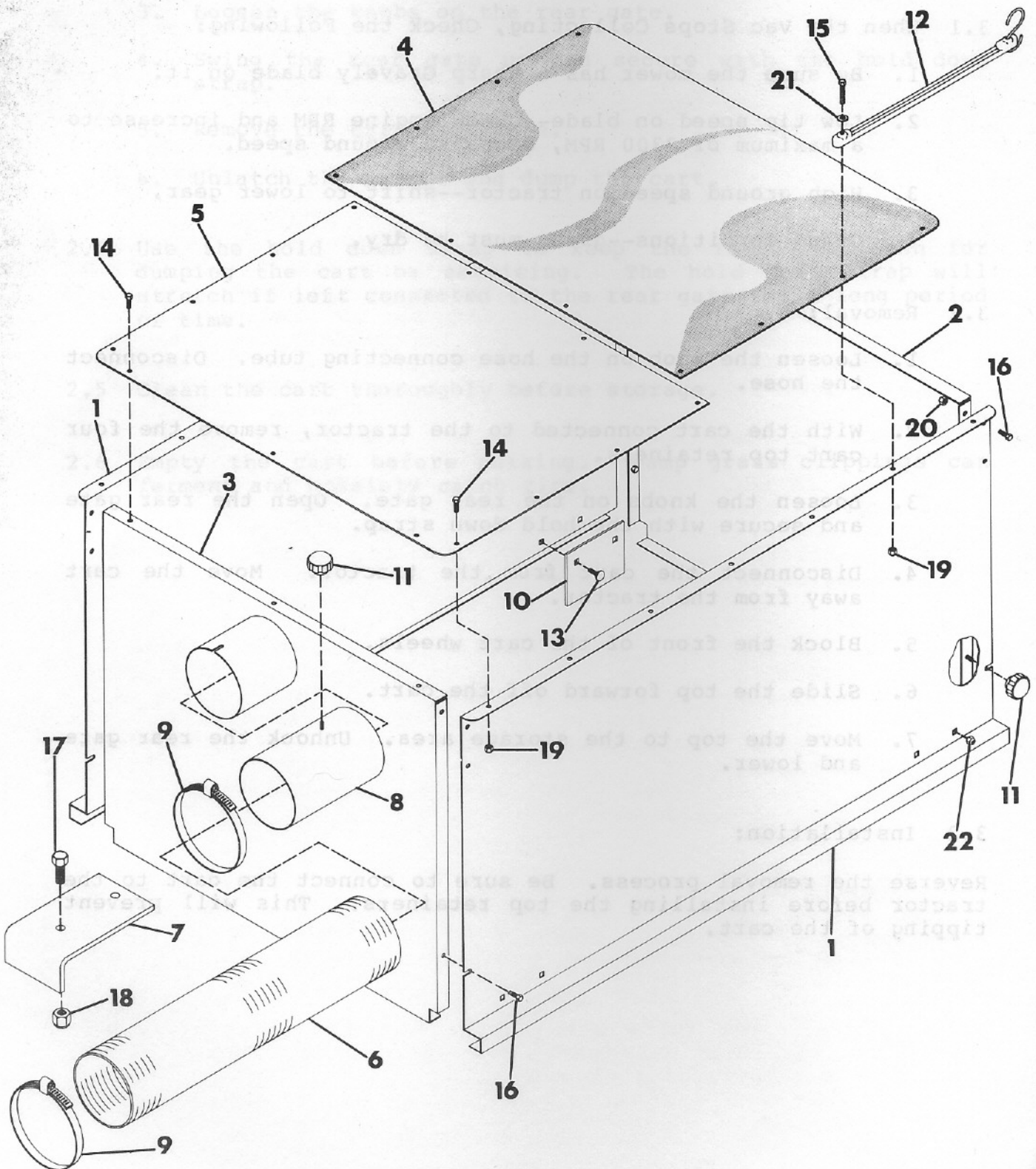
1. Loosen the knob on the hose connecting tube. Disconnect the hose.
2. With the cart connected to the tractor, remove the four cart top retainers.
3. Loosen the knobs on the rear gate. Open the rear gate and secure with the hold down strap.
4. Disconnect the cart from the tractor. Move the cart away from the tractor.
5. Block the front of the cart wheels.
6. Slide the top forward off the cart.
7. Move the top to the storage area. Unhook the rear gate and lower.

3.3 Installation:

Reverse the removal process. Be sure to connect the cart to the tractor before installing the top retainers. This will prevent tipping of the cart.

SECTION 4

Illustrated Parts and Parts List



GRAVELY LIMITED WARRANTY

2.1 Remove the vac cart kit from the shipping container.

2.2 Install the tongue extension on the tractor using the 5/8-11x1-1/2 bolt and 5/8-11 lock nut.

The tractor tongue extension is made of heavy duty steel and is designed to last for many years. It is not recommended to use any other material for the tongue extension.

2.3 Install the side panels on the cart and install the rear gate. Use the 3/8-16x3/4 bolts and 3/8-16 lock nuts to secure the panels to the cart frame.

ITEM NO.	PART NO.	QTY.	DESCRIPTION
1	37868	2	Panel, Side
2	37869	1	Weldment, Rear Gate
3	37870	1	Weldment, Front Gate
4	37874	1	Cover, Top Rear
5	37875	1	Cover, Top Front
6	37876	1	Hose, Blower to Cart
7	37878	1	Extension, Tongue
8	37879	1	Weldment, Connector Tube
9	36996	2	Clamp
10	37877	4	Retainer, Cart Top
11	37884	3	Knob
12	38089	1	Strap, Hold Down
13	126227	8	Bolt, Carriage 3/8-16x.75
14	180020	18	Bolt, Hex 1/4-20x.75
15	180033	1	Bolt, Hex 1/4-20x1.375
16	180077	6	Bolt, Hex 5/16-18x.75
17	271547	1	Bolt, Hex 5/8-11x1.50
18	418692	1	Nut, Lock 5/8-11
19	419454	19	Nut, Lock 1/4-20
20	419455	6	Nut, Lock 5/16-18
21	422845	1	Washer, Flat .281x.625x.065
22	456004	8	Nut, Lock 3/8-16
NS	24608	2	Decal, Gravely Logo

2.4 Install the rear gate and connect the hold down strap over the rear gate.

2.5 Install the top covers and connect the blower hose to the top cover.

2.6 Install the side panels and connect the hold down strap to the side panel.

2.7 Install the rear gate and connect the hold down strap to the rear gate.

2.8 Install the top covers and connect the blower hose to the top cover.

2.9 Install the side panels and connect the hold down strap to the side panel.

2.10 Install the rear gate and connect the hold down strap to the rear gate.

2.11 Install the top covers and connect the blower hose to the top cover.

GRAVELY

SECTION 5

Assembly

- 5.1 Remove the vac cart kit from the shipping container.
- 5.2 Install the tongue extension on the tractor rear hitch with the 5/8-11x1-1/2 bolt and 5/8-11 lock nut.
- 5.3 Connect the cart to the tractor.
- 5.4 Set the side panels on the cart and install the four cart top retainers with two 3/8-16x3/4 carriage bolts and two 3/8-16 lock nuts each.
- 5.5 Using four 5/16-18x3/4 bolts and four lock nuts, fasten the side panels to the front gate weldment. The hose tube is outside toward the front.
- 5.6 Put the top front cover in position (rounded corners forward). Put six 1/4-20x3/4 bolts in the forward holes. Secure with six 1/4-20 lock nuts.
- 5.7 Put the top rear cover in position aligning the holes. Remove one hook from the hold down strap. Put nine 1/4-20x3/4 bolts in the holes. Secure with nine 1/4-20 lock nuts. In the second hole from the rear on the right side, mount the hold down strap with 1/4-20x1-3/8 bolt, flat washer, and 1/4-20 lock nut.
- 5.8 Put the connecting tube in place in the front of the cover and secure with a knob.
- 5.9 Put a clamp on each end of the hose.
- 5.10 Put one end of the hose on the blower outlet and the other end on the connecting tube. Tighten the clamps.
- 5.11 Put the rear gate in position. Insert two 5/16-18x3/4 bolts and start two 5/16-18 lock nuts. Swing the rear gate up and connect the hold down strap over the right stud. Tighten the bolts so that the rear gate can pivot.
- 5.12 Unhook the hold down strap. Lower the rear gate. Secure with two knobs. Put the hold down strap hook in the hole near the pivot bolt.

SECTION 6

GRAVELY LIMITED WARRANTY

This Limited Warranty is issued by Gravely International, Inc., and consists of the following terms:

1. Only the original purchaser of new Gravely equipment is covered by this Warranty.
2. This Warranty covers repair or replacement of parts manufactured by Gravely which are defective in material or workmanship. Gravely will pay for parts and labor only.
3. The Warranty starts the date of purchase and lasts for TWELVE (12) MONTHS.
4. Some components of Gravely equipment are not covered by the Gravely Warranty. These components are covered by the original manufacturer's warranty, which is included with the product. They are:
 - a. Engines
 - b. Tires
5. To obtain warranty service on Gravely equipment including components not manufactured by Gravely, use this procedure:
 - a. Notify the Gravely dealer from whom you purchased the equipment.
 - b. If you have moved and it is not convenient to notify the selling dealer, notify the nearest Gravely dealer. You should supply this dealer with a copy of the bill of sale as proof of the date of purchase.
 - c. Make arrangements to have the equipment delivered to the dealer (refer to paragraph 6(a) below).
 - d. If you have any questions concerning the Gravely Limited Warranty, they should be referred to:

Gravely International, Inc.
One Gravely Lane
Clemmons, NC 27012

Attn: Manager of Customer Services
 - e. Warranty service on Gravely equipment must be performed by an authorized Gravely dealer or Gravely factory branch.
6. This Warranty does not cover the following:
 - a. Transportation between owner's home or place of business and the dealership. If the dealer provides the transportation of the equipment, he will charge the owner his usual rate for such service.
 - b. Normal maintenance services and normal replacement of items such as spark plugs, belts, oil, oil filters, air filters, and mower, plow or cultivator blades.
 - c. Alterations or Modifications - All obligations under this warranty shall be terminated if the equipment is altered or modified in any way.
 - d. Customer Neglect or Lack of Proper Maintenance - The purchaser is responsible for making sure that the tractor is operated and serviced as directed in the operator's manual. Incorrect use or maintenance will void the warranty.
7. GRAVELY MAKES NO OTHER EXPRESS WARRANTIES. ANY IMPLIED WARRANTIES, INCLUDING WARRANTIES AS TO MERCHANTABILITY OR FITNESS FOR A PARTICULAR PURPOSE, ARE LIMITED IN DURATION TO THE PERIOD SET OUT IN PARAGRAPH 3 ABOVE. SOME STATES DO NOT ALLOW LIMITATIONS ON HOW LONG AN IMPLIED WARRANTY LASTS, SO THE ABOVE STATEMENT MAY NOT APPLY TO YOU.
8. GRAVELY SHALL HAVE NO RESPONSIBILITY FOR INCIDENTAL OR CONSEQUENTIAL DAMAGES RESULTING FROM THE BREACH OF ANY WARRANTY, INCLUDING, BUT NOT LIMITED TO, INCONVENIENCE, RENTAL OR PURCHASE OF REPLACEMENT EQUIPMENT, LOSS OF PROFITS OR COMMERCIAL LOSS. SOME STATES DO NOT ALLOW THE EXCLUSION OR LIMITATION OF INCIDENTAL OR CONSEQUENTIAL DAMAGES, SO THE ABOVE LIMITATION OR EXCLUSION MAY NOT APPLY TO YOU.
9. This Warranty gives you specific legal rights, and you may have other rights which vary from state to state.
10. A Gravely product registration card is supplied with each Gravely product. Please complete the card and return it to Gravely at the address listed on the card. The equipment registration card will be used by Gravely for:
 - a. Recording date of purchase.
 - b. Notification of owners in compliance with the Consumer Product Safety Act, should any notification be necessary.The return of registration card is not required in order to take advantages of this Warranty.
11. This Warranty is not subject to change or modification by anyone, including Gravely dealers and no Gravely dealer is authorized to make any representations or promises on Gravely's behalf.

 **GRAVELY**