

THE UNICORN[®] LOG SPLITTER



FOR YOUR PROTECTION:

READ THE FOLLOWING BEFORE OPERATING UNICORN LOG SPLITTER

Know how to stop or turn off the tractor when you are in the position to split logs.

Familiarize yourself with location of throttle, gear shift, clutch, brake and ignition.

Be sure that the wheel brake is in position on right wheel.

Use caution as you would around any rotating (rotary shaft) machinery.

Do not wear long coats, loose clothing, scarves etc. when operating the machinery.

KEEP THE WORK AREA CLEAR - Don't let split or unsplit wood accumulate near the splitter.

BE SURE OF YOUR FOOTING - Do not operate this unit on ice or slippery mud.

OPERATE THE UNICORN LOG SPLITTER ONLY IN HIGHEST GEAR ON TRACTORS FOR WHICH THE SPLITTER IS DESIGNED.

DO NOT ALTER THE FITTING OF THE UNIT.

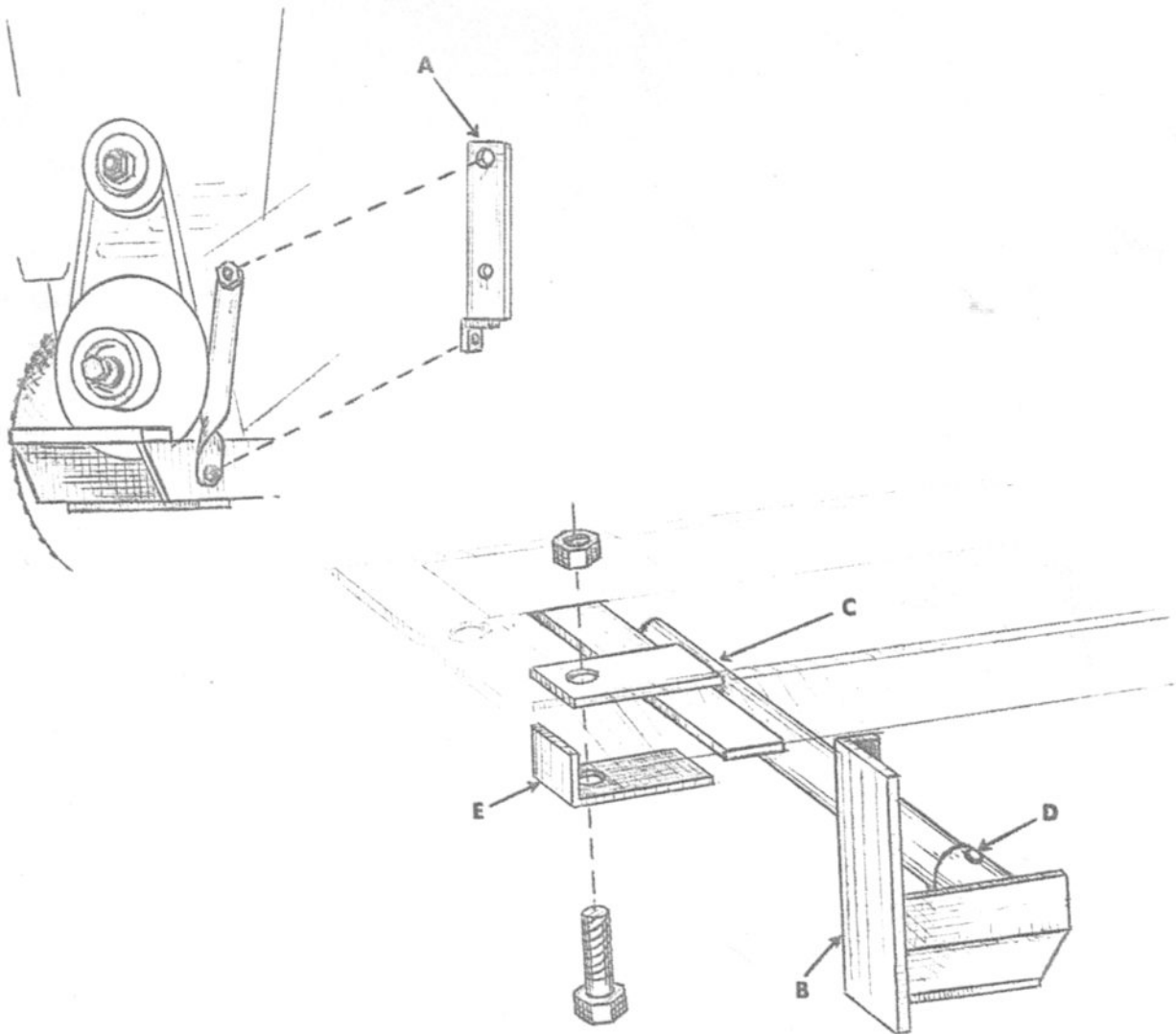
Failure to install or operate the splitter according to the instructions automatically voids the accompanying warranty.

UNICORN LOG SPLITTER

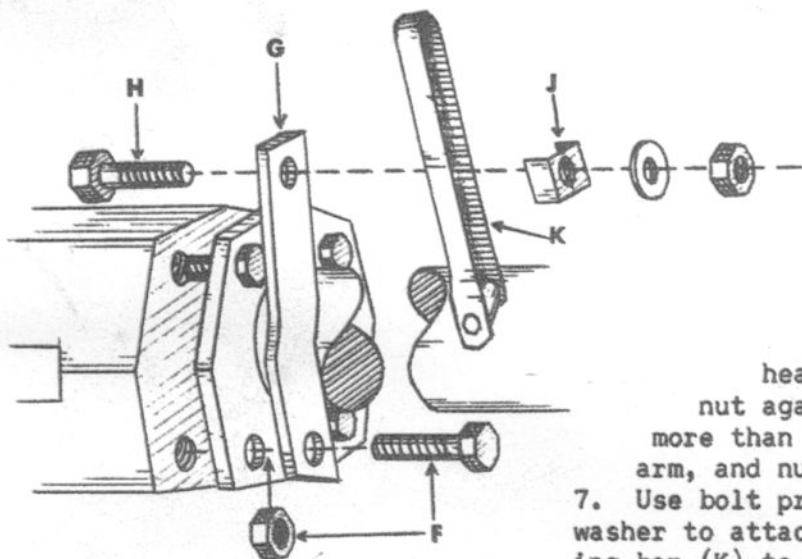
Installation and Operating Instructions Convertible Garden Tractor

A. INSTALLATION OF THE JACK STANDS.

1. Unpack parts and compare package contents with illustration. See page 4.
2. Remove original equipment draw bar support strap (right side) and replace with UNICORN support bracket (A).
3. Screw jack stand foot (B) onto threaded jack stand bar (C) until locating holes in foot and bar align and foot is in upward position - See below. Insert pin (D).
4. Place assembled jack stand under draw bar of tractor. Jack stand bar must contact the lower edge of both draw bar frame rails with its clamping lug resting over the top of the lower draw bar crossmember. Place clamp part (E) under crossmember so that it may be bolted up through clamping lug to clamp jack assembly to draw bar frame. TIGHTEN SECURELY.



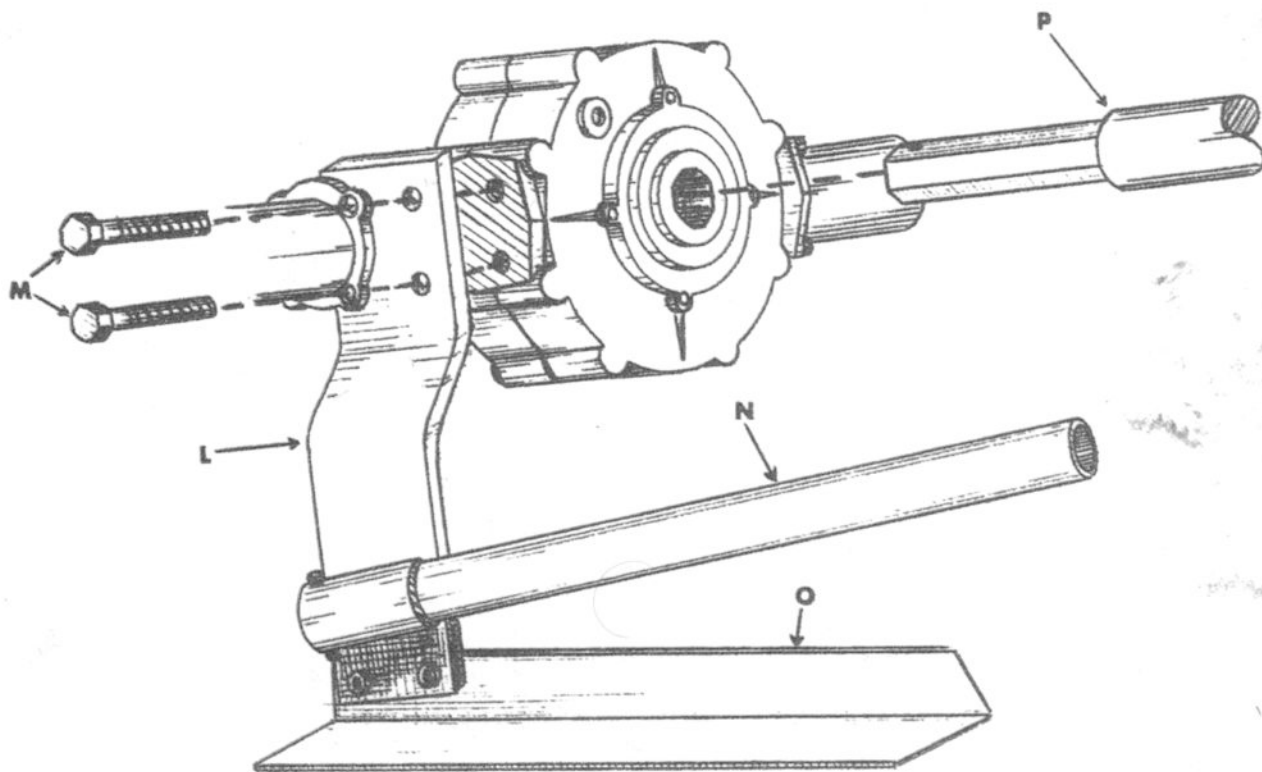
5. Replace vented filler plug in plow drive with solid plug provided.
DO NOT USE SOLID PLUG WHEN PLOWING.



6. Remove bottom left (facing front of tractor) plow drive attaching bolt. Replace with bolt and nut (F) provided to attach UNICORN plow drive angle control bar (G). To make this assembly insert bolt in hole of plow drive angle control bar (G) and run nut up almost to bar. Insert bolt into tractor hole leaving slight clearance between bolt head, arm, and nut. Lastly, tighten nut against plow drive flange leaving not more than 1/32" clearance between bolt head, arm, and nut so that arm pivots freely.

7. Use bolt provided (H) and one saddle (J) with washer to attach Gravelly plow drive angle adjusting bar (K) to end of UNICORN angle adjusting arm (G) - See illustration.

8. With the UNICORN angle adjusting system assembled and in approximately the UP position as shown install front UNICORN support stand (L) between plow drive gear box and front wheel mounting bracket using 1 1/2" x 3/8" bolts provided (M) so that foot is parallel to ground.
9. Assemble log stop bar (N) and foot (O) as shown and insert splitter (P) into plow drive. Use plow drive shaft pin (R) to fasten splitter into drive.



10. UNICORN LOG SPLITTER is now in position for splitting wood. The UNICORN LOG SPLITTER unit may be rotated counterclockwise (facing front of tractor) for easy transport by resetting the adjusting arm (G). It may also be used without front wheels by attaching front UNICORN support stand (L) by using plow drive wheel attaching bolts instead of longer bolts supplied with splitter.

B. PREPARATION FOR SPLITTING WOOD.

1. Remove pin (D) and rotate jack stand foot (B) toward ground while pulling tractor backwards aligning holes so that jack stand foot is parallel to ground. Reinsert pin (D) to hold position. This will hold right wheel 2" off of ground.
2. Adjust front wheels to rest lightly on ground with wheels all the way toward the left (facing front of tractor).
3. Tighten UNICORN angle adjust bolt (H).
4. Operate tractor at approximately 1/2 or less throttle with plow drive in low gear (if available).
5. Learn use of splitter on 4" - 6" diameter wood and study splitting suggestions on page 5 to learn proper operation. OBSERVE ALL SAFETY PRECAUTIONS ON FRONT PAGE OF MANUAL.

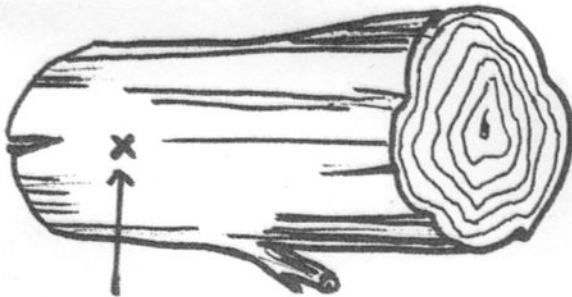
C. SPLITTING WOOD.

1. Start tractor and use low plow drive gear.
2. MAKE CERTAIN THAT LOG TO BE SPLIT WILL BE KEPT FROM ROTATING WITH SPLITTER BY THE STOP BAR.
3. Press log against rotating point of the UNICORN LOG SPLITTER. The UNICORN will act as a wood screw to pull itself into log and as a rotary wedge to split it. The point starts more easily into bark than into heart wood.
4. In the rare event the UNICORN LOG SPLITTER should become stuck, it may be backed out of the log by removing log and splitter and reinserting splitter shaft in opposite side of plow drive. Slide log stop bar (N) to extreme left position (facing front of tractor) and back screw out of log.
5. The UNICORN MARK G-2 will easily split nearly any firewood logs into suitable size pieces. The exception being some pieces of elm which present unusual difficulty in splitting by any means.
6. Be sure to study the suggestions on page 5.

SUGGESTIONS FOR EASY OPERATION

Using the Unicorn Log Splitter Mark G can be a relaxing, enjoyable and profitable experience. Don't strain at it!

Learn to read a log for easy splitting. Remember -- Some logs will stall even the most powerful commercial splitters.



always start splitter 3 to 4 inches from end of log.

