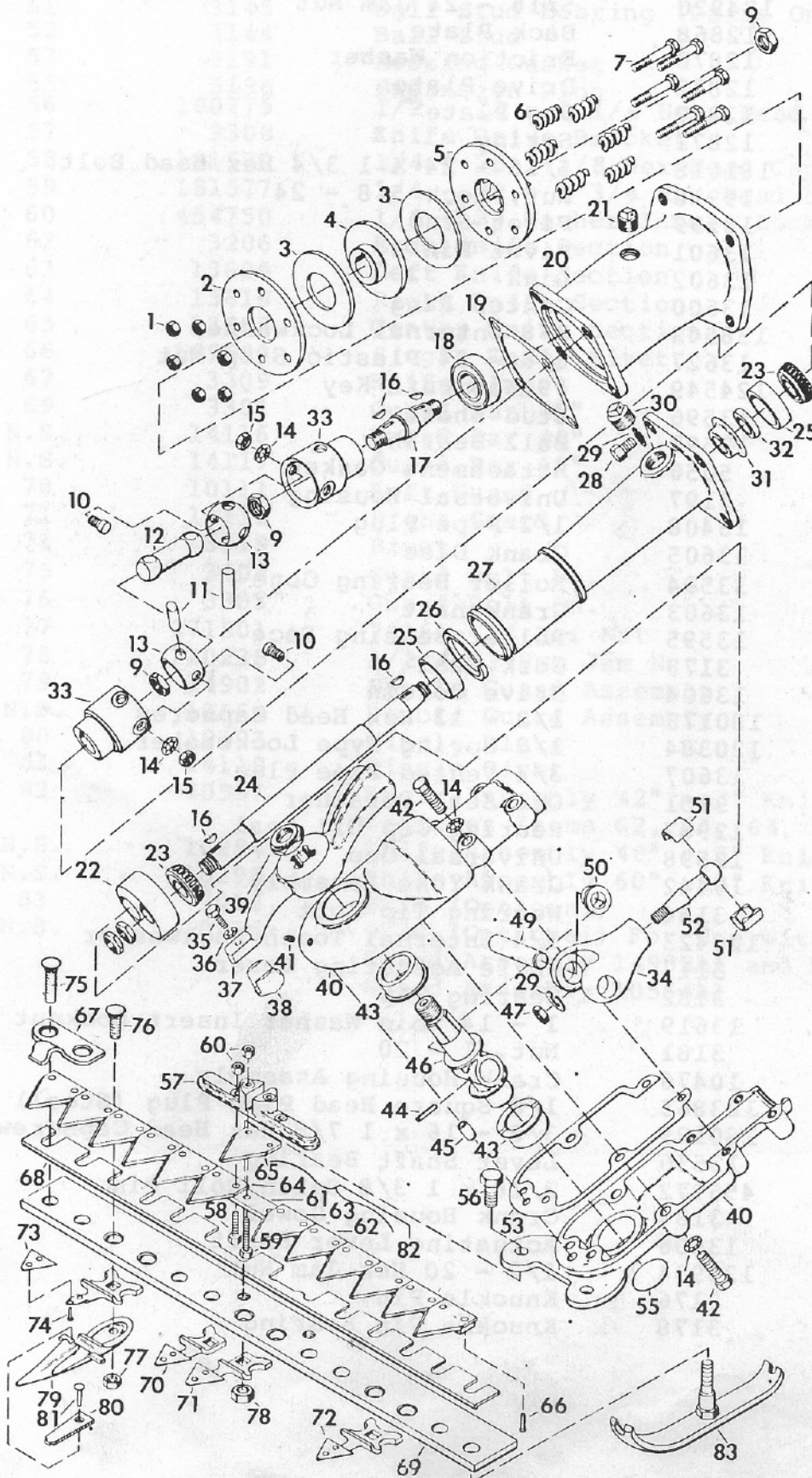


ILLUSTRATED PARTS LIST

SICKLE MOWER

Model Number 15680
15697

Effective Date 1-01-72
Form Number 17857



<u>ITEM NO.</u>	<u>PART NO.</u>	<u>DESCRIPTION</u>
1	124920	5/16 - 24 Jam Nut
2	12868	Back Plate
3	12870	Friction Washer
4	12872	Drive Plate
5	12867	Dog Plate
6	12871	Spring
7	181618	5/16 - 24 x 1 3/4 Hex Head Bolt
9	19918	Nut, Lock 5/8 - 24
10	13599	Pivot Stud
11	13601	Pivot Pin
12	13602	Link
13	13600	Center Ring
14	138542	3/8 Internal Lockwasher
15	13627	3/8 - 24 Plastic Stop Nut
16	124549	#9 Woodruff Key
17	13596	Stud Shaft
18	13597	Ball Bearing
19	5056	Attachment Gasket
20	3197	Universal Housing
21	13408	1/2 Pipe Plug
22	13605	Crank Disc
23	13594	Roller Bearing Cone
24	13603	Crankshaft
25	13595	Roller Bearing Race
26	3173	Cork Seal
27	13604	Drive Column
28	180173	1/2 - 13 Hex Head Capscrews
29	120384	1/2 Spring Type Lockwasher
30	13607	3/4 Vented Pipe Plug
31	3151	Oil Seal Retainer
32	12987	Bearing Cap Oil Seal
33	13598	Universal Cup
34	10442	Crank Yoke Assembly
35	3154	Wearing Tip Bolt
36	120423	1/4 Internal Tooth Lockwasher
37	3117	Knife Actuating Lever
38	3182	Wearing Tip
39	13619	1 - 14 Thin Washer Insert Locknut
N.S.	3181	Nut, 1 - 20
40	10476	Crank Housing Assembly
41	103865	1/8 Square Head Pipe Plug (Steel)
42	180129	3/8 - 16 x 1 7/8 Hex Head Capscrew
43	13550	Lever Shaft Bearing
44	455972	3/16 x 1 3/8 Splin Roll Pin
45	3184	Crank Housing Dowel
46	13606	Actuating Lever Shaft
47	124934	1/2 - 20 Hex Jam Nut
49	3176	Knuckle Pin
50	3178	Knuckle Pin Bearing

<u>ITEM NO.</u>	<u>PART NO.</u>	<u>DESCRIPTION</u>
51	3145	Ball Stud Bearing (Pairs Only)
52	3144	Ball Stud
53	3191	Housing Gasket
55	3198	Expansion Plug
56	180175	1/2 - 13 x 1 1/4 Hex. Head Capscrew
57	3308	Knife Drive Bracket
58	181570	1/4 - 28 1 1/8 Hex Head Capscrew
59	181577	1/4 - 28 x 1 3/4 Hex Head Bolt
60	454750	1/4 - 28 Washer Insert Locknut
62	3206	Each Knife Section
63	13609	Left Knife Section
64	13610	Right Knife Section
65	13608	Center Knife Section
66	189290	Single Knife Rivet
67	3309	Knife Clip
69	3301	Guard Bar 42"
N.S.	14116	Guard Bar 48"
N.S.	14117	Guard Bar 60"
70	10111	Left Guard
71	10112	Right Guard
74	3319	Rivet
75	3304	Guard Bolt Lg.
76	3303	Guard Bolt Sh.
77	271501	7/16 - 14 Hex Nut
78	120238	1/2 - 13 Hex Jam Nut
79	14902	Single Guard Assembly
N.S.	10554	Double Guard Assembly
80	10302	Single Plate
81	14119	Single Rivet
82	40597	Knife Assembly 42" - 3" Knives Includes Items 62, 63, 64, 65
N.S.	10294	Knife Assembly 48" - 3" Knives
N.S.	10295	Knife Assembly 60" - 3" Knives
83	3214	Skid (Optional)
N.S.	10466	Skid (Optional) For Use With Single Guard Assembly 14902A1 and Double Guard Assembly 10554A1