

PARTS MANUAL

Models

EH63, EH64,

EH65, EH72

ENGINES

PUB-EP1549

Rev. 07/05

Robin America, Inc.

940 Lively Blvd. • Wood Dale, IL 60191 • Phone: 630-350-8200 • Fax: 630-350-8212
e-mail: sales@robinamerica.com • www.robinamerica.com

© Copyright 2005 Robin America, Inc.

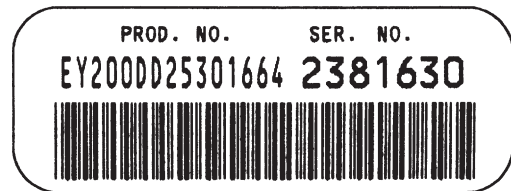
HOW TO USE THIS MANUAL

Robin engines are identified by MODEL, SPECIFICATION, and CODE NUMBER. For each model there may be many different versions called specifications. Each specification will be unique in some way. The difference may only be the paint color or it may have a different type of PTO or some other significant difference.

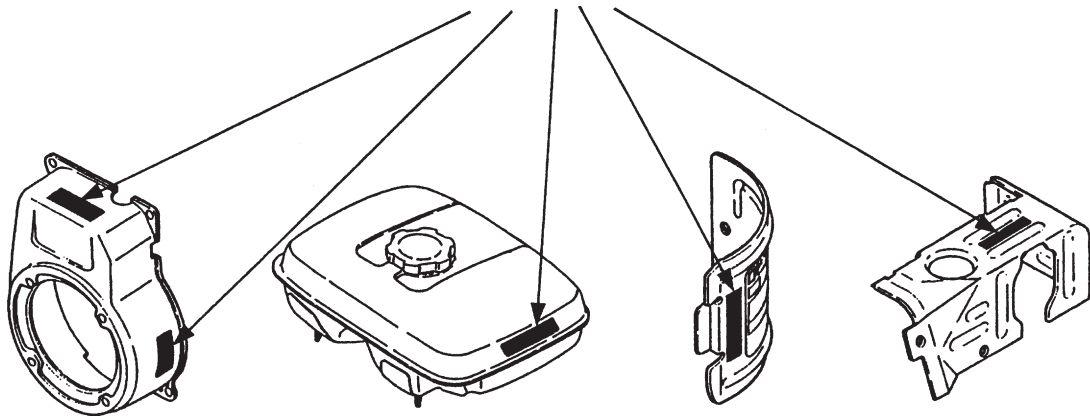
In order to identify the correct service part number, it is important to confirm the specification and code numbers for your engine. The specification and code number together are known as the PRODUCT NUMBER.

All Robin 4 cycle engines have a Product Number label similar to the label illustrated below.

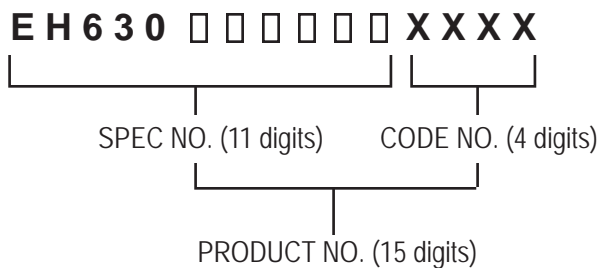
PRODUCT NUMBER LABEL



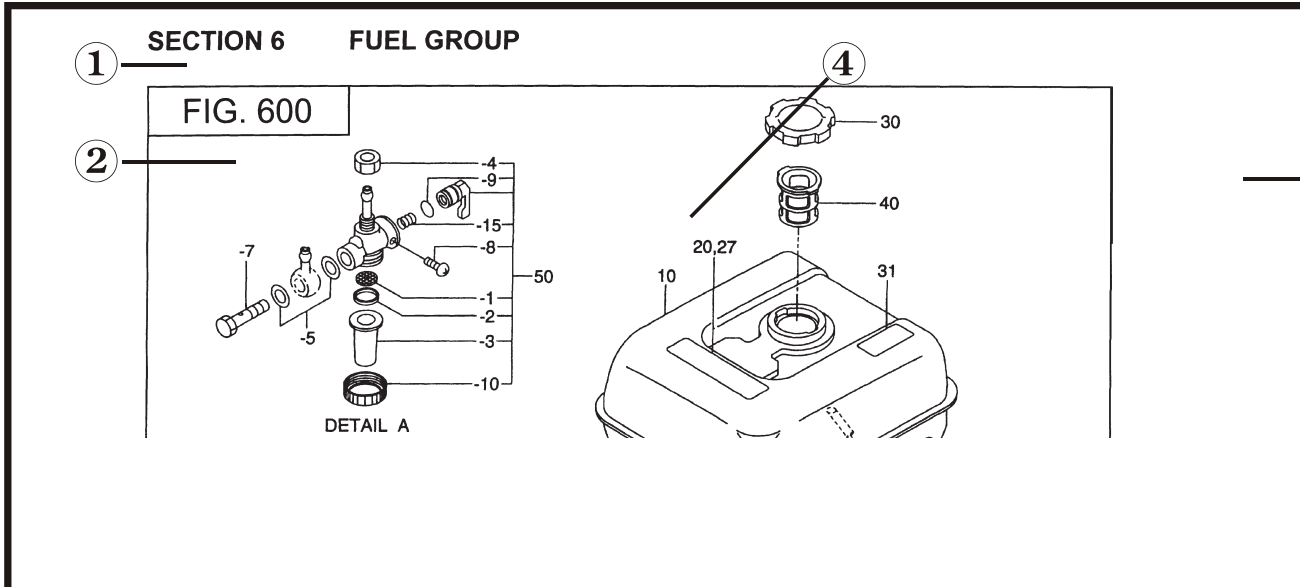
PRODUCT NUMBER LABEL LOCATIONS



The Product Number Label has a 15 digit alphanumeric string that consists of the SPECIFICATION (SPEC) number (11 digits) and the CODE number (4 digits). Please note the illustration below:



MANUAL LAYOUT



1 SECTION 6 FUEL GROUP

6 **7** **9**

REF.	PART NO.	DESCRIPTION	QTY.	REMARKS
10	267-60103-01	FUEL TANK CP	1	YD, YS TYPE, BLACK
	267-60101-01	FUEL TANK CP	1	YELLOW
27	073-20039-00	LABEL WARNING	1	YD, YS TYPE

3

1. SECTION NAME Parts are broadly classified according to their functions. Refer to the Group Index (table of contents) for respective section name.
2. FIG. No. The FIG. number indexes the reference and part number to the illustration. Figure numbers that vary only in the tens place (i.e.: 700 and 710) are in a group of the same section (i.e.: Electrical Device Group).
3. REF. No. The Reference number identifies the part illustration with the corresponding part number in the part list.
4. SUBASSEMBLY SUBASSEMBLY parts of part assembly are listed below the assembly part. The subassembly part reference number is indicated by the number led by "-" such as "-1", "-2".
5. PART NUMBER It is the number assigned for sales unit. Use the PART No. when making an order.
6. DESCRIPTION It is designation of the part.
7. QTY. Quantity of each part used for each product.
8. REMARKS This gives a distinctive feature and/or a supplementary comment for the type, the specification, and the part concerned. It also shows part number(s) interchangeable for the part.
9. FROM-TO This section shows the CODE No. to indicate the history of progress in which improved parts have been introduced in the product. The FROM-TO CODE No. helps to identify PART No. being employed in the product concerned. See the examples below:
 - The part is used in the product irrespective of CODE No.
 - 2101- The part is used in the products with CODE No. of 2101 and after this number.
 - 2100 The part is used in the products with CODE No. of 2100 and before this number.

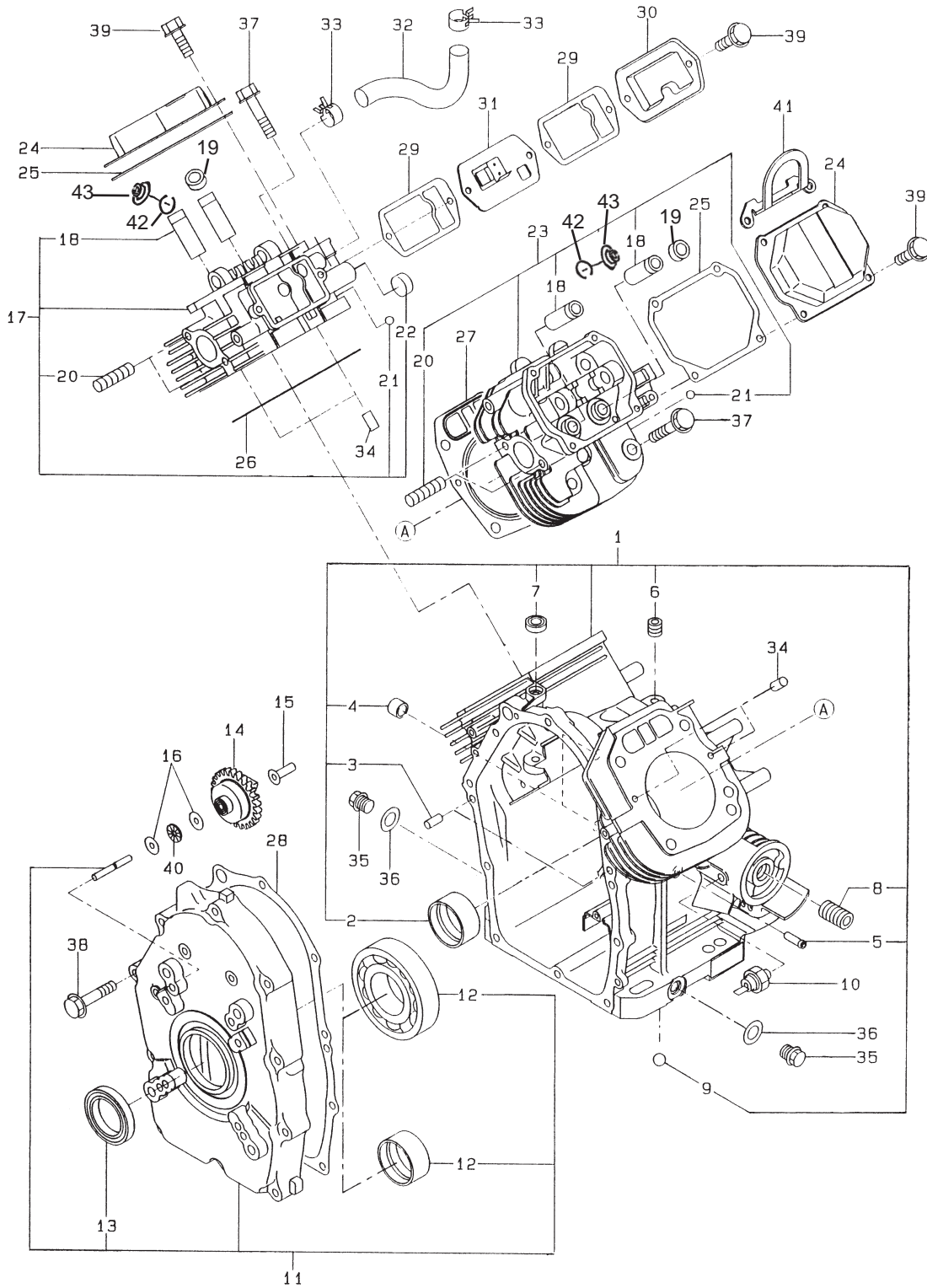
GROUP INDEX

Group Name	Page
CRANKCASE GROUP	
EH63, EH64, EH65	6
EH72	8
CRANKSHAFT GROUP	10
INTAKE and EXHAUST GROUP	
EH63, EH64, EH65	12
EH72	14
GOVERNOR GROUP	16
COOLING and STARTING GROUP	18
FUEL, LUBRICANT GROUP	
EH63, EH64, EH65	20
EH72	22
CARBURETOR GROUP	
EH63, EH64, EH65	24
EH72	26
OIL COOLER and OIL FILTER GROUP	28
ELECTRIC DEVICE GROUP	30
STARTING MOTOR GROUP	34
ACCESSORY GROUP	38

INDEX OF DESCRIPTION SYMBOLS			
SYMBOL	DESCRIPTION	SYMBOL	DESCRIPTION
AY	ASSEMBLY	P=	PITCH (in mm)
CP	COMPLETE	P.T.O. (PTO)	POWER TAKE OFF
EX	EXPORT (from Japan)	REF	REFERENCE
FIG	FIGURE	R.H. (RH)	RIGHT HAND SIDE
FR	FRONT	RR	REAR
"	INCH	STD	STANDARD
INCL	INCLUDE	SW	SWITCH
~L	LITER	T=	THICKNESS (in mm)
L=	LENGTH (in. mm)	UN	UNIT
L.H. (LH)	LEFT-HAND SIDE	U.S.	UNDER SIZE
MECH	MECHANICAL	~V	VOLTAGE
NO (NON)	NONE	~W	WATT
OPT	OPTIONAL	W/	WITH
O.S.	OVER SIZE	W/O	WITHOUT

SECTION 1 CRANKCASE GROUP - EH63, 64, 65 - Old Type

FIG. 100

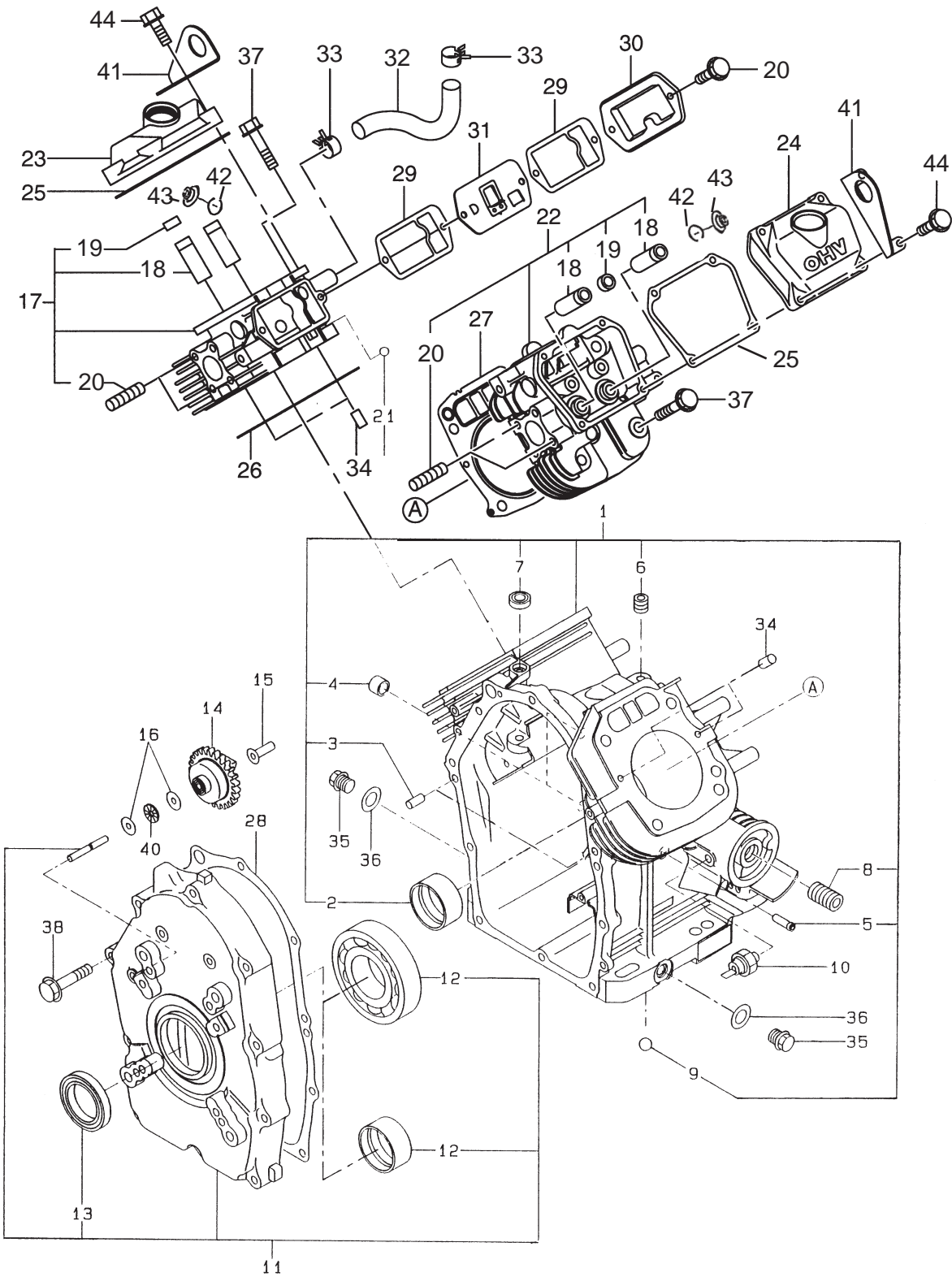


SECTION 1 CRANKCASE GROUP - EH63, 64, 65 - Old Type

REF.	PART NO.	DESCRIPTION	QTY.	REMARKS	FROM-TO	FIG.
1	263-10101-E1	CRANKCASE, compl.	1	Includes items 2 thru 9	~1999999	100
2	263-15802-03	MAIN BEARING	1		~1999999	100
3	X31-00800-80	DOWEL PIN	2		~1999999	100
4	142-55601-03	PIPE	2		~1999999	100
5	159-65401-03	PIPE (PULSE)	1		~1999999	100
6	263-15911-A1	BLIND PLUG	1		~1999999	100
7	044-00800-10	OIL SEAL	1		~1999999	100
8	263-15901-03	UNION	1		~1999999	100
9	045-01200-10	STEEL BALL	1		~1999999	100
10	248-76301-01	SWITCH, OIL PRESSURE	1		~1999999	100
*11	263-11001-B1	MAIN BEARING COVER, compl.	1	Ball bearing, pilot Ø 6.438	~1999999	100
*11	263-11101-C1	MAIN BEARING COVER, compl.	1	Shell bearing, pilot Ø 6.438	~1999999	100
*11	263-11002-B1	MAIN BEARING COVER, compl.	1	Ball bearing, pilot Ø 5.75	~1999999	100
*11	263-11102-C1	MAIN BEARING COVER, compl.	1	Shell bearing, pilot Ø 5.75	~1999999	100
12	060-04500-10	BALL BEARING	1		~1999999	100
12	263-15802-03	MAIN BEARING	1		~1999999	100
13	044-04200-30	OIL SEAL	1		~1999999	100
14	263-45001-C1	GOVERNOR GEAR, compl.	1		~1999999	100
15	277-41901-03	GOVERNOR SLEEVE	1		~1999999	100
16	263-46214-A3	WASHER	2		~1999999	100
*17	263-13001-B1	CYLINDER HEAD 1, compl.	1	Includes items 18 thru 22	~1999999	100
18	263-14201-03	VALVE GUIDE	4		~1999999	100
19	132-07AA0-50	SEAL - INTAKE VALVE	2		~1999999	100
20	010-50802-90	STUD	8		~1999999	100
21	X45-00600-10	STEEL BALL	1		~1999999	100
22	263-16201-03	PLUG	1		~1999999	100
*23	263-13101-B1	CYLINDER HEAD 2, compl.	1	Includes item 18 thru 21	~1999999	100
24	246-15501-01	ROCKER COVER, compl.	2		~1999999	100
25	246-16002-13	GASKET, rocker cover	2		~1999999	100
26	263-15001-13	GASKET 1, cyl. head	1		~1999999	100
27	263-15101-13	GASKET 2, cyl. head	1		~1999999	100
28	263-16001-A3	GASKET, main bearing cover	1		~1999999	100
29	263-16006-03	GASKET, breather plate	2		~1999999	100
30	263-14301-03	BREATHER COVER	1		~1999999	100
31	263-14401-01	BREATHER PLATE, compl.	1		~1999999	100
32	263-18003-03	RUBBER PIPE	1		~1999999	100
33	263-68511-03	HOSE CLAMP	2		~1999999	100
34	X31-00600-20	DOWEL PIN	4		~1999999	100
35	040-11400-30	PLUG	2		~1999999	100
36	021-11400-20	GASKET	2		~1999999	100
37	X11-01000-30	FLANGE BOLT	8		~1999999	100
38	X11-00802-20	FLANGE BOLT	10		~1999999	100
39	X11-00600-30	FLANGE BOLT	10		~1999999	100
40	263-46215-A3	THRUST BEARING	1		~1999999	100
41	263-19001-A3	HOOK	2		~1999999	100
42	056-51000-50	CLIP	2		~1999999	100
43	263-35341-03	RETAINER PLATE	2		~1999999	100

SECTION 1 CRANKCASE GROUP - EH63, 64, 65 - New Type

FIG. 100

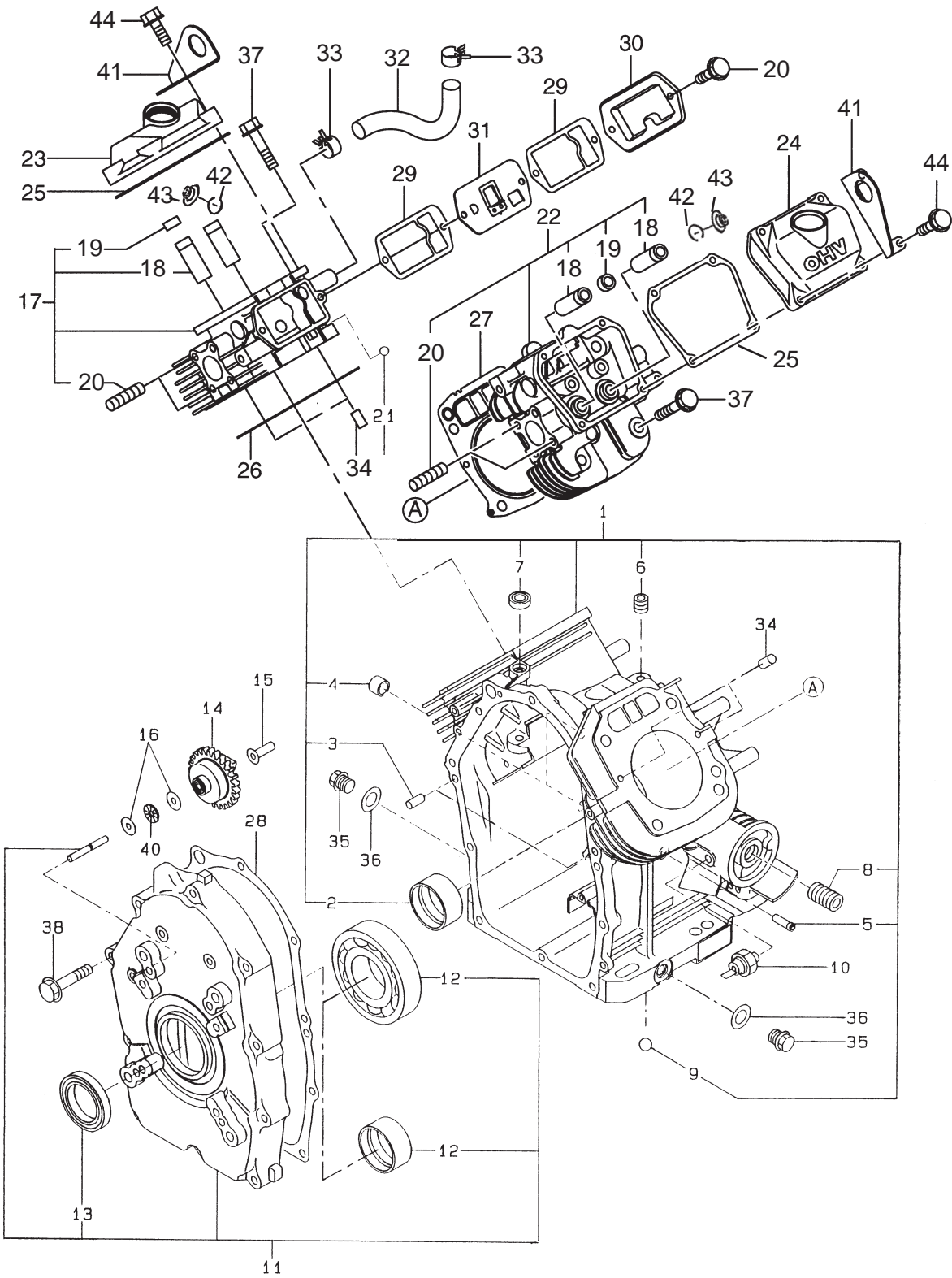


SECTION 1 CRANKCASE GROUP - EH63, 64, 65 - New Type

REF.	PART NO.	DESCRIPTION	QTY.	REMARKS	FROM-TO	FIG.
1	263-10111-A1	CRANKCASE, compl.	1	Includes items 2 thru 9	2000001~	100
2	263-15802-03	MAIN BEARING	1		2000001~	100
3	X31-00800-80	DOWEL PIN	2		2000001~	100
4	142-55601-03	PIPE	2		2000001~	100
5	159-65401-03	PIPE (PULSE)	1		2000001~	100
6	263-15911-A1	BLIND PLUG	1		2000001~	100
7	044-00800-10	OIL SEAL	1		2000001~	100
8	263-15901-03	UNION	1		2000001~	100
9	045-01200-10	STEEL BALL	1		2000001~	100
10	248-76301-01	SWITCH, OIL PRESSURE	1		2000001~	100
*11	263-11001-B1	MAIN BEARING COVER, compl.	1	Ball bearing, pilot Ø 6.438	2000001~	100
*11	263-11101-C1	MAIN BEARING COVER, compl.	1	Shell bearing, pilot Ø 6.438	2000001~	100
*11	263-11002-B1	MAIN BEARING COVER, compl.	1	Ball bearing, pilot Ø 5.75	2000001~	100
*11	263-11102-C1	MAIN BEARING COVER, compl.	1	Shell bearing, pilot Ø 5.75	2000001~	100
12	060-04500-10	BALL BEARING	1		2000001~	100
12	263-15802-03	MAIN BEARING	1		2000001~	100
13	044-04200-30	OIL SEAL	1		2000001~	100
14	263-45001-C1	GOVERNOR GEAR, compl.	1		2000001~	100
15	263-41901-03	GOVERNOR SLEEVE	1		2000001~	100
16	263-46214-A3	WASHER	2		2000001~	100
*17	263-13211-A1	CYLINDER HEAD 1, compl.	1	Includes items 18 thru 22	2000001~	100
18	263-14201-03	VALVE GUIDE	4		2000001~	100
19	132-07AA0-50	SEAL - INTAKE VALVE	2		2000001~	100
20	010-50802-90	STUD	8		2000001~	100
21	X45-00600-10	STEEL BALL	2		2000001~	100
22	263-13311-A1	CYLINDER HEAD 2, compl.	1	Includes item 18 thru 21	2000001~	100
23	263-15501-A3	ROCKER COVER, compl.	1		2000001~	100
24	280-15501-A3	ROCKER COVER, compl.	1		2000001~	100
25	263-16101-A3	GASKET, rocker cover	2		2000001~	100
26	263-15021-11	GASKET 1, cyl. head	1		2000001~	100
27	263-15121-01	GASKET 2, cyl. head	1		2000001~	100
28	263-16002-A3	GASKET, main bearing cover	1		2000001~	100
29	263-16006-03	GASKET, breather plate	2		2000001~	100
30	263-14301-03	BREATHER COVER	1		2000001~	100
31	280-14401-A1	BREATHER PLATE, compl.	1		2000001~	100
32	263-18003-03	RUBBER PIPE	1		2000001~	100
33	263-68511-03	HOSE CLAMP	2		2000001~	100
34	X31-00600-20	DOWEL PIN	4		2000001~	100
35	X40-11400-30	PLUG	2		2000001~	100
36	021-11400-20	GASKET	2		2000001~	100
37	X11-01000-70	FLANGE BOLT	8		2000001~	100
38	X11-00802-20	FLANGE BOLT	10		2000001~	100
39	X11-00600-30	FLANGE BOLT	10		2000001~	100
40	263-46215-A3	THRUST BEARING	1		2000001~	100
41	280-19001-A3	HOOK	2		2000001~	100
42	056-51000-50	CLIP	2		2000001~	100
43	263-35341-03	RETAINER PLATE	2		2000001~	100

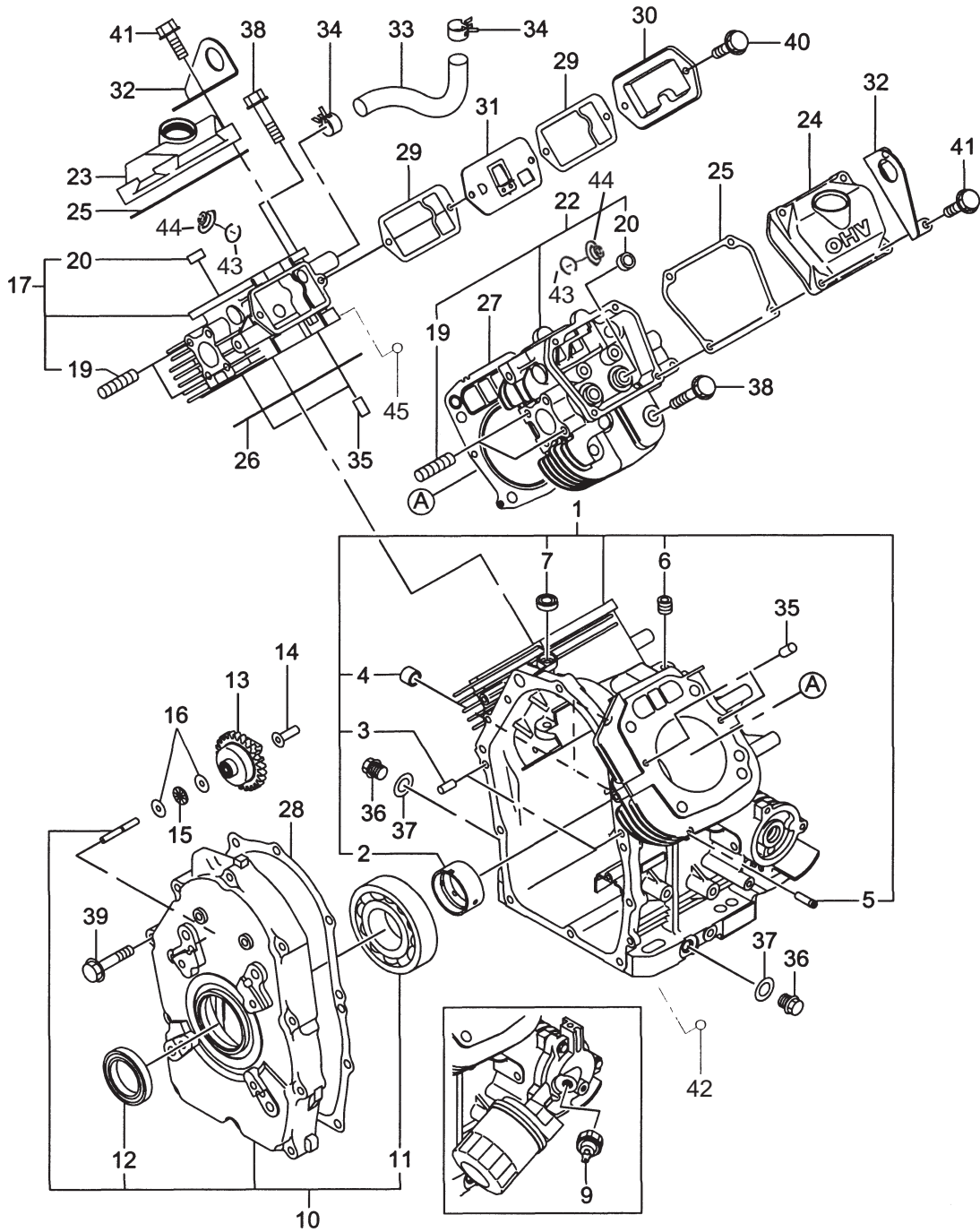
SECTION 1 CRANKCASE GROUP - EH63, 64, 65 - New Type

FIG. 100



SECTION 1 CRANKCASE GROUP - EH72

FIG. 110

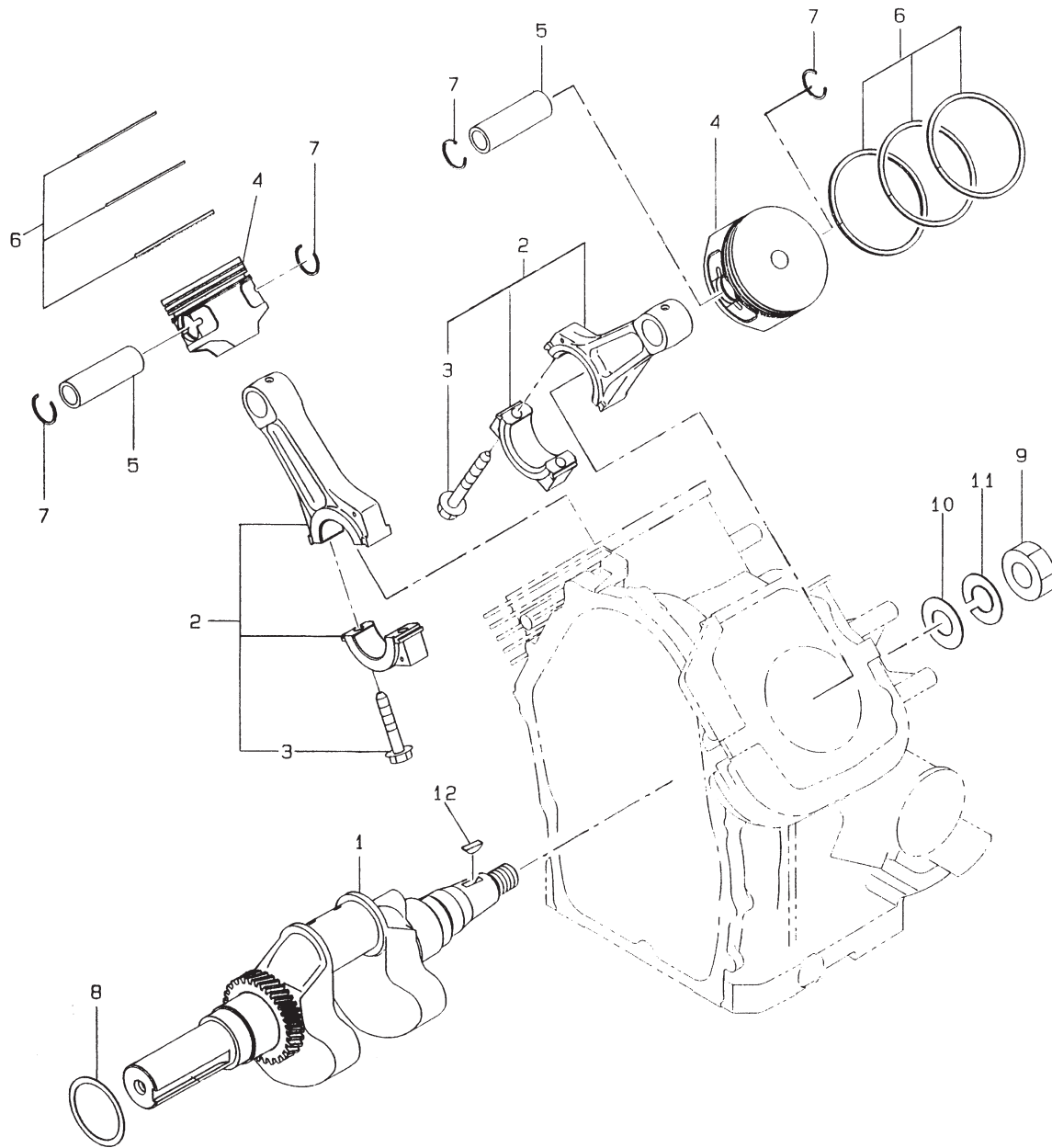


SECTION 1 CRANKCASE GROUP - EH72

REF.	PART NO.	DESCRIPTION	QTY.	REMARKS	FROM-TO	FIG.
*1	280-10101-B1	CRANKCASE, compl.	1	Includes items 2 thru 7		110
2	263-15802-03	MAIN BEARING	1			110
3	X31-00800-80	DOWEL PIN	2			110
4	142-55601-03	PIPE	2			110
5	159-65401-03	PIPE (PULSE)	1			110
6	263-15911-A1	BLIND PLUG, compl.	1			110
7	044-00800-10	OIL SEAL	1			110
9	248-76301-01	SWITCH OIL PRESSURE	1			110
*10	263-11004-A0	MAIN BEARING COVER, compl.	1	STD		110
10	280-11004-A1	MAIN BEARING COVER, compl.	1	Extended Oil Gauge		110
11	060-04500-10	BALL BEARING	1			110
12	044-04200-30	OIL SEAL	1			110
13	263-45001-C1	GOVERNOR GEAR, compl.	1			110
14	263-41901-03	GOVERNOR SLEEVE	1			110
15	263-46215-A3	THRUST BEARING	1			110
16	263-46214-A3	WASHER	2			110
*17	280-13001-B1	CYLINDER HEAD 1, compl.	1	Includes items 19 and 20		110
19	010-50802-90	STUD	8			110
20	132-07AA0-50	SEAL-INTAKE VALVE	2			110
*22	280-13101-B1	CYLINDER HEAD 2, compl.	1	Includes items 19 and 20		110
23	263-15501-A3	ROCKER COVER	1			110
24	280-15501-A3	ROCKER COVER	1			110
25	263-16101-A3	GASKET, rocker cover	2			110
26	280-15001-03	GASKET 1, cyl. head	1			110
27	280-15101-03	GASKET 2, cyl. head	1			110
28	263-16002-A3	GASKET, main bearing cover	1			110
29	263-16006-03	GASKET, breather plate	2			110
30	263-14301-03	BREATHER COVER	1			110
31	280-14401-A1	BREATHER PLATE, compl.	1			110
32	280-19001-A3	HOOK	2			110
33	263-18003-03	RUBBER PIPE	1			110
34	263-68511-03	HOSE CLAMP	2			110
35	X31-00600-20	DOWEL PIN	4			110
36	X40-11400-30	PLUG	2			110
37	021-11400-20	GASKET	2			110
38	X11-01000-70	FLANGE BOLT	8			110
39	X11-00802-20	FLANGE BOLT	10			110
40	X11-00600-30	FLANGE BOLT	2			110
41	X11-00601-01	FLANGE BOLT	8			110
42	045-01200-10	STEEL BALL	1			110
43	056-51000-50	CLIP	2			110
44	263-35341-03	RETAINER PLATE	2			110
45	X45-00600-10	STEEL BALL	2			110

SECTION 2 CRANKSHAFT GROUP

FIG. 200

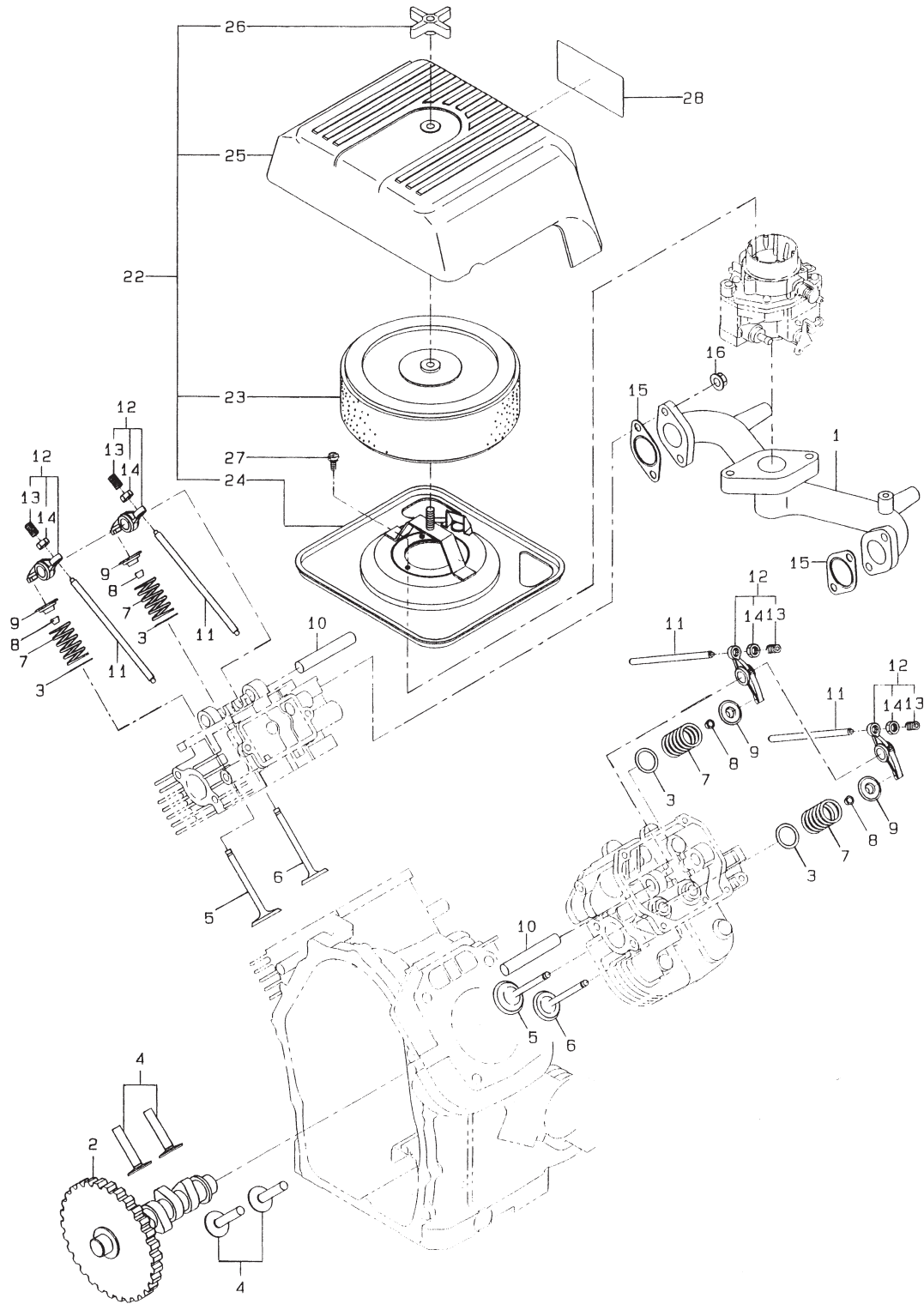


SECTION 2 CRANKSHAFT GROUP

REF.	PART NO.	DESCRIPTION	QTY.	REMARKS	FROM-TO	FIG.
1	263-20902-B1	CRANKSHAFT, compl.	1	1.00" key-3/8-24 UNF tap		200
	263-21101-B1	CRANKSHAFT, compl.	1	1-1/8" key-7/16-20 UNF tap		200
	263-21001-B1	CRANKSHAFT, compl.	1	1-7/16" key-5/8-18 UNF tap		200
	263-21201-A1	CRANKSHAFT, compl.	1	SAE taper - 2.25/12-5/16-24UNF		200
	263-21301-B1	CRANKSHAFT, compl.	1	SAE pump - 1.00" threaded		200
	263-20201-01	CRANKSHAFT, compl.	1	Metric - 35mm key-M10x1.25T2		200
	263-20701-01	CRANKSHAFT, compl.	1	Metric taper-1/10-30mm-M10x1.5t2~1999999		200
1	280-21001-A1	CRANKSHAFT, compl.	1	EH72		200
*2	263-22501-00	CONNECTING ROD AY	2	EH72		200
	263-22501-00	CONNECTING ROD AY	2	EH65	~1999999	200
	263-22601-00	CONNECTING ROD AY	2	EH65	2000001~	200
3	246-23001-13	CONNECTING ROD BOLT	2	EH72		200
	246-23001-13	CONNECTING ROD BOLT	2	EH65	~1999999	200
	011-05084-00	CONNECTING ROD BOLT	2	EH65	2000001~	200
4	263-23411-A3	PISTON	2	STD. - EH63, EH64, EH65		200
	263-23412-A3	PISTON	2	Oversize0.25mm EH63,EH64,EH65		200
	263-23413-A3	PISTON	2	Oversize0.50mm EH63,EH64 EH65		200
4	280-23401-A3	PISTON	2	STD. EH72		200
	280-23402-A3	PISTON	2	Oversize 0.25mm EH72		200
	280-23403-A3	PISTON	2	Oversize 0.50mm EH72		200
5	263-23301-03	PISTON PIN	2			200
6	263-23501-07	PISTON RING SET	2	STD EH63, EH64, EH65		200
	263-23502-07	PISTON RING SET	2	Oversize0.25mm EH63,EH64,EH65		200
	263-23503-07	PISTON RING SET	2	Oversize0.50mm EH63,EH64,EH65		200
6	280-23501-07	PISTON RING SET	2	STD. EH72		200
	280-23502-07	PISTON RING SET	2	Oversize 0.25mm EH72		200
	280-23503-07	PISTON RING SET	2	Oversize 0.50mm EH72		200
7	056-52100-20	CLIP	4			200
8	263-25011-A3	SPACER, t = 0.6	1	Select one piece only		200
	263-25012-A3	SPACER, t = 0.8	1	Select one piece only		200
	263-25013-A3	SPACER, t = 1.0	1	Select one piece only		200
	263-25014-00	SPACER, t=1.2	1	Select one piece only		200
9	002-18180-00	NUT	1			200
	X18-01800-01	NUT	1	EH65	2000001~	200
10	003-10180-00	WASHER	1			200
11	003-20180-00	SPRING WASHER	1			200
12	005-32054-01	WOODRUFF KEY	1			200
*	263-99001-07	GASKET SET		EH65 & EH72		200

SECTION 3 INTAKE and EXHAUST GROUP - EH63, 64, 65 - Old Type

FIG. 300



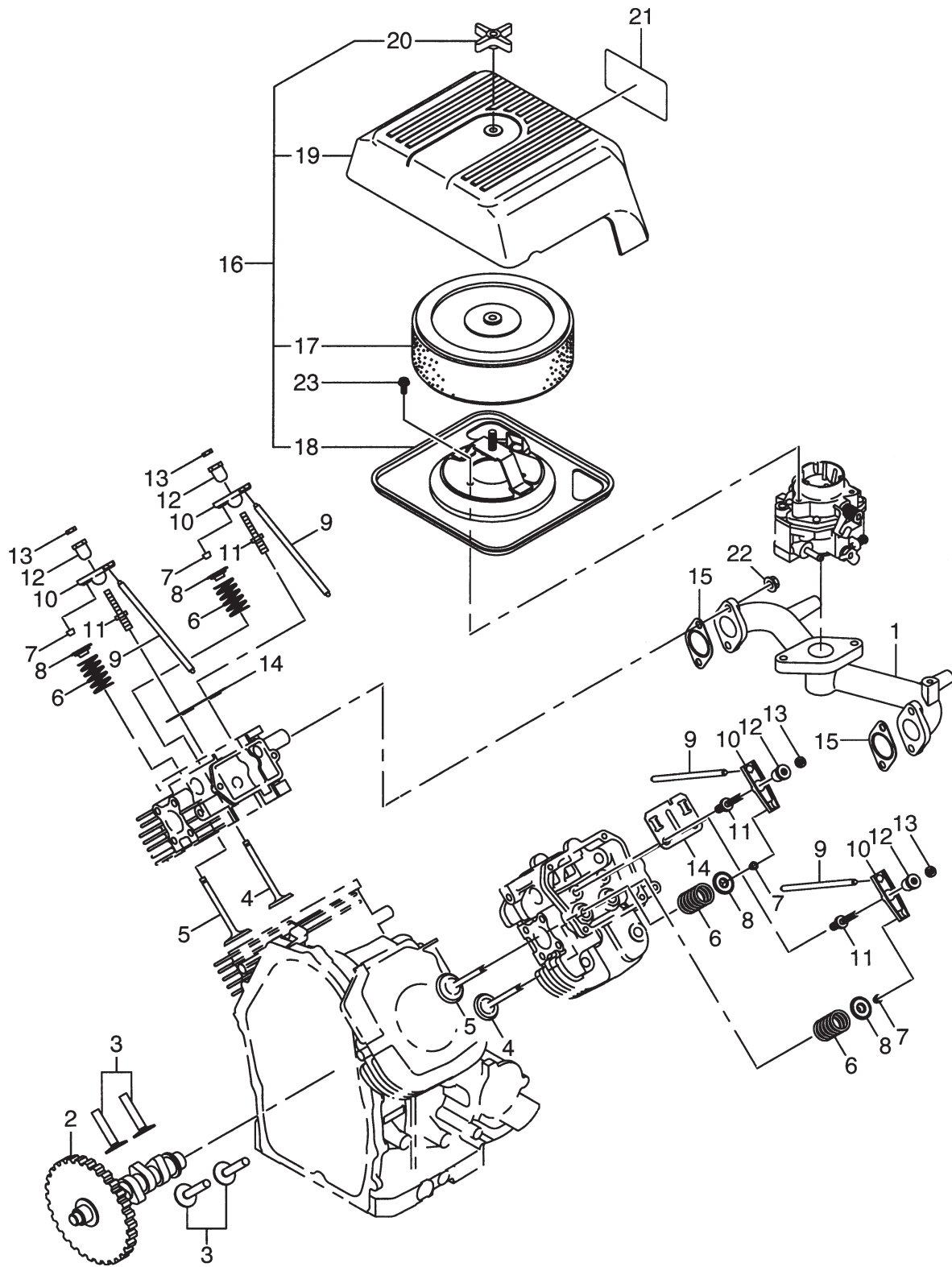
SECTION 3 INTAKE and EXHAUST GROUP - EH63, 64, 65 - Old Type

REF.	PART NO.	DESCRIPTION	QTY.	REMARKS	FROM-TO	FIG.
1	263-33001-03	INTAKE MANIFOLD	1		~1999999	300
2	263-31701-13	CAMSHAFT	1		~1999999	300
3	020-02000-10	WASHER	4		~1999999	300
4	263-33301-A3	TAPPET	4		~1999999	300
5	263-33401-03	INTAKE VALVE	2		~1999999	300
6	263-33502-13	EXHAUST VALVE	2		~1999999	300
7	246-33611-03	VALVE SPRING	4		~1999999	300
8	246-35501-03	COLLET VALVE	8		~1999999	300
9	246-33711-13	SPRING RETAINER	4		~1999999	300
10	239-35001-03	ROCKER SHAFT	2		~1999999	300
11	263-35311-01	PUSH ROD	4		~1999999	300
12	246-36101-10	ROCKER ARM AY	4		~1999999	300
13	014-90800-21	ADJUSTING SCREW	4		~1999999	300
14	017-00800-90	NUT	4		~1999999	300
15	263-35503-A3	GASKET	2		~1999999	300
16	002-38080-00	FLANGE NUT	4		~1999999	300
22	263-32601-00	AIR CLEANER AY	1		~1999999	300
23	263-32610-A1	CLEANER ELEMENT, CP	1		~1999999	300
24	263-32620-01	CLEANER BASE CP	1		~1999999	300
25	263-32630-03	CLEANER COVER	1		~1999999	300
26	263-32640-01	WING NUT	1		~1999999	300
27	X10-10500-10	FLANGE BOLT	3		~1999999	300
28	263-91703-03	LABEL, trademark	1	For EH63	~1999999	300
28	263-91702-03	LABEL, trademark	1	For EH64	~1999999	300
28	263-91701-03	LABEL, trademark	1	For EH65	~1999999	300

SECTION 3

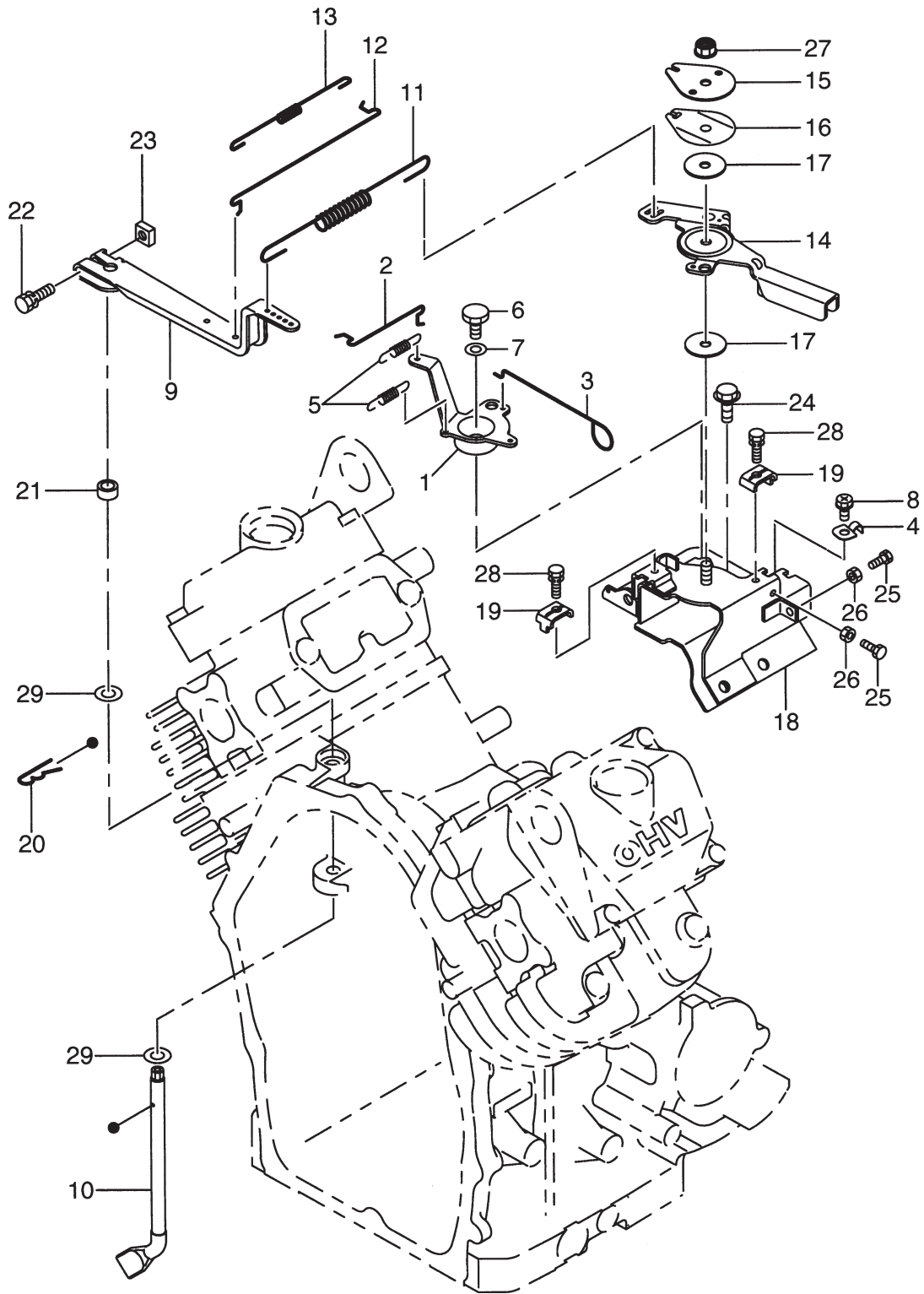
INTAKE and EXHAUST GROUP - EH63, 64, 65, 72 - New Type

FIG. 300



SECTION 4 GOVERNOR GROUP

FIG. 400

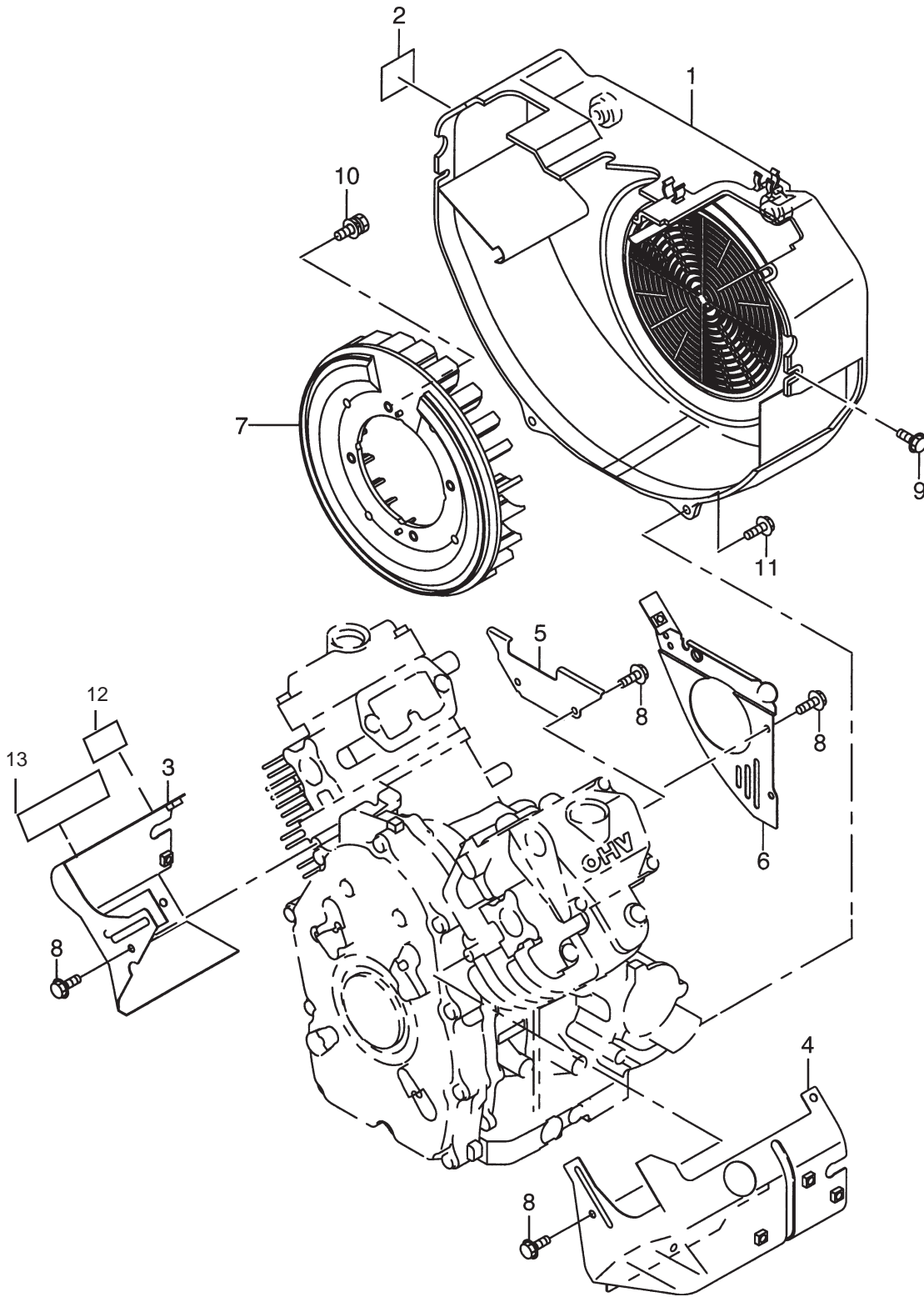


SECTION 4 GOVERNOR GROUP

REF.	PART NO.	DESCRIPTION	QTY.	REMARKS	FROM-TO	FIG.
1	263-46001-03	CHOKE CONTROL LINK	1			400
2	263-46011-A3	CHOKE CONTROL ROD	1			400
3	263-43901-A3	CHOKE KNOB	1			400
4	263-46010-03	CLAMP, choke knob	1			400
5	261-45201-03	RETURN SPRING	2			400
6	226-43101-01	LINK PIVOT	1			400
7	003-22100-00	WAVED WASHER	1			400
8	X15-20500-10	TAPPING SCREW	1			400
9	263-42301-B3	GOVERNOR LEVER	1			400
10	263-42201-A3	GOVERNOR SHAFT	1			400
11	263-42501-A3	GOVERNOR SPRING	1	EH65, EH72		400
11	263-42503-A3	GOVERNOR SPRING	1	EH63, EH64		400
12	263-42701-A3	GOVERNOR ROD	1			400
13	263-42801-03	ROD SPRING	1			400
14	263-43301-A3	SPEED CONTROL LEVER	1			400
15	227-43501-13	STOP PLATE	1			400
16	263-45002-03	SPRING WASHER	1			400
17	021-70600-30	FRICTION WASHER	2			400
18	263-45011-02	BRACKET UNIT, speed control	1			400
19	261-43901-03	CLAMP	2			400
20	005-11060-01	SNAP PIN	1			400
21	X23-00801-50	SPACER	1			400
22	001-14063-00	BOLT and WASHER AY	1			400
23	X18-60600-20	NUT	1			400
24	X11-00600-20	FLANGE BOLT	2			400
25	X11-50500-20	BOLT	2			400
26	002-27050-00	NUT	2			400
27	X17-60600-20	SELF LOCKING NUT	1			400
28	001-17052-00	BOLT and WASHER AY	2			400
29	003-10080-00	WASHER	2			400

SECTION 5 COOLING and STARTING GROUP

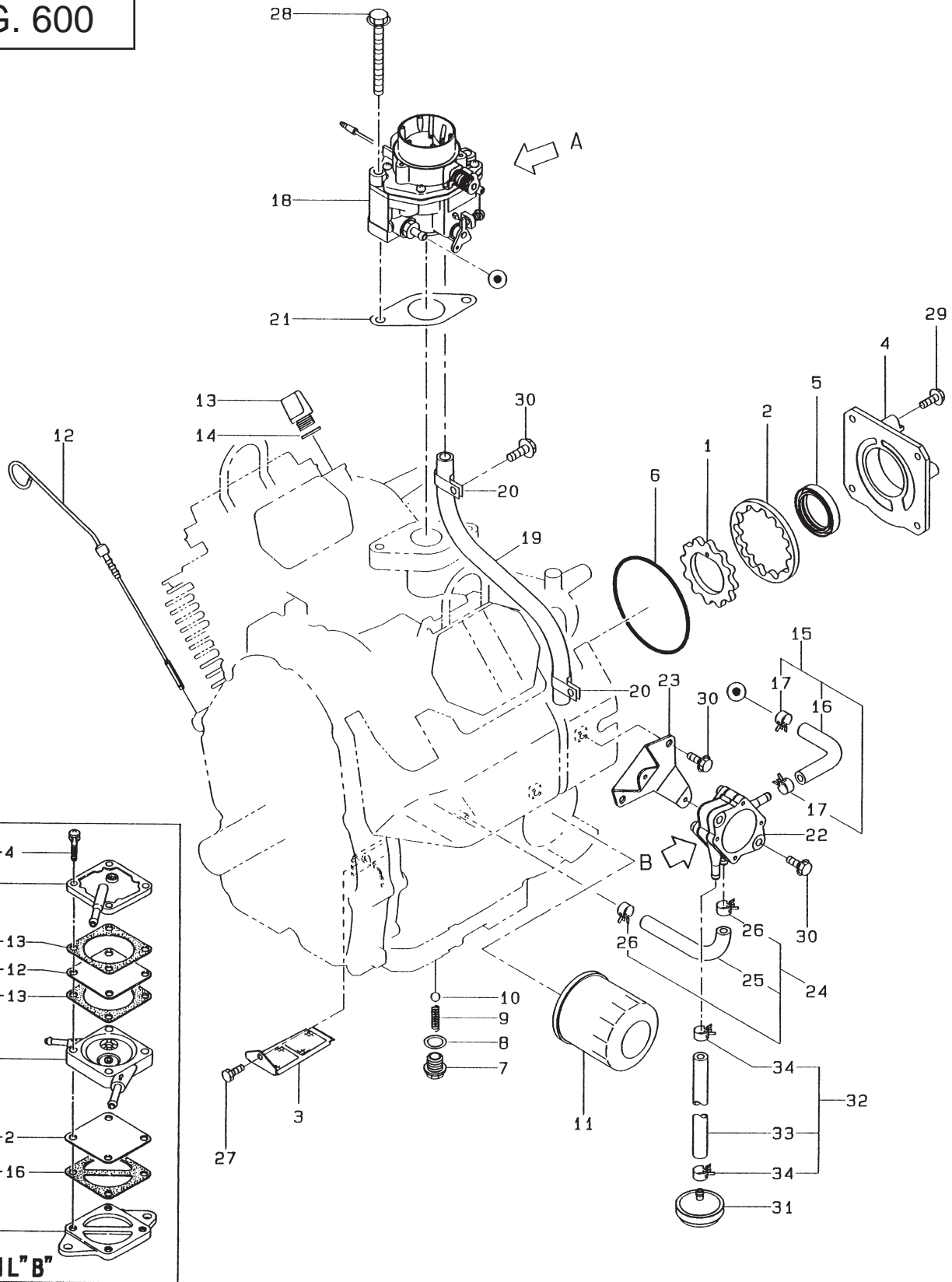
FIG. 500



SECTION 6

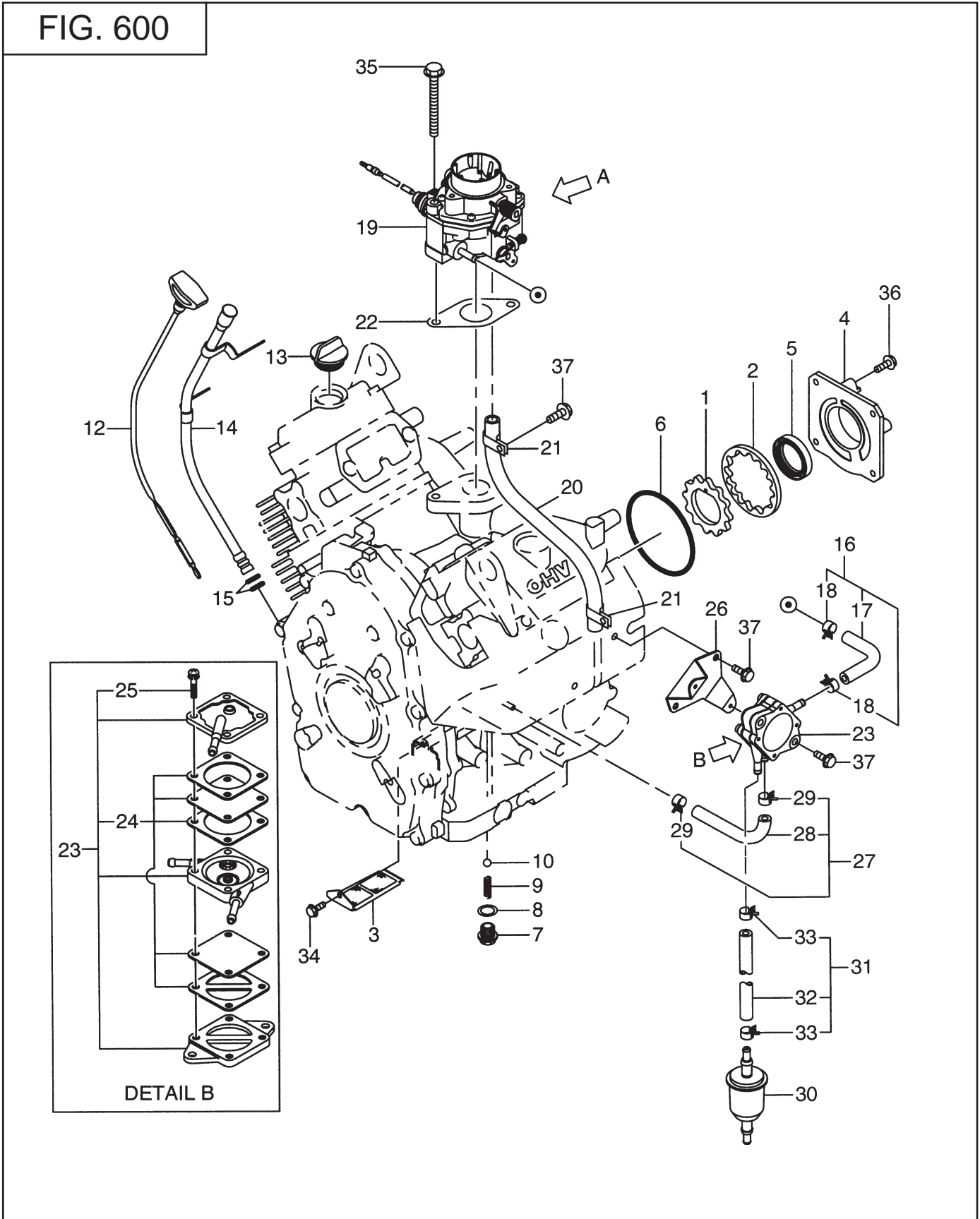
FUEL and LUBRICATION GROUP - EH63, 64, 65 - Old Type

FIG. 600



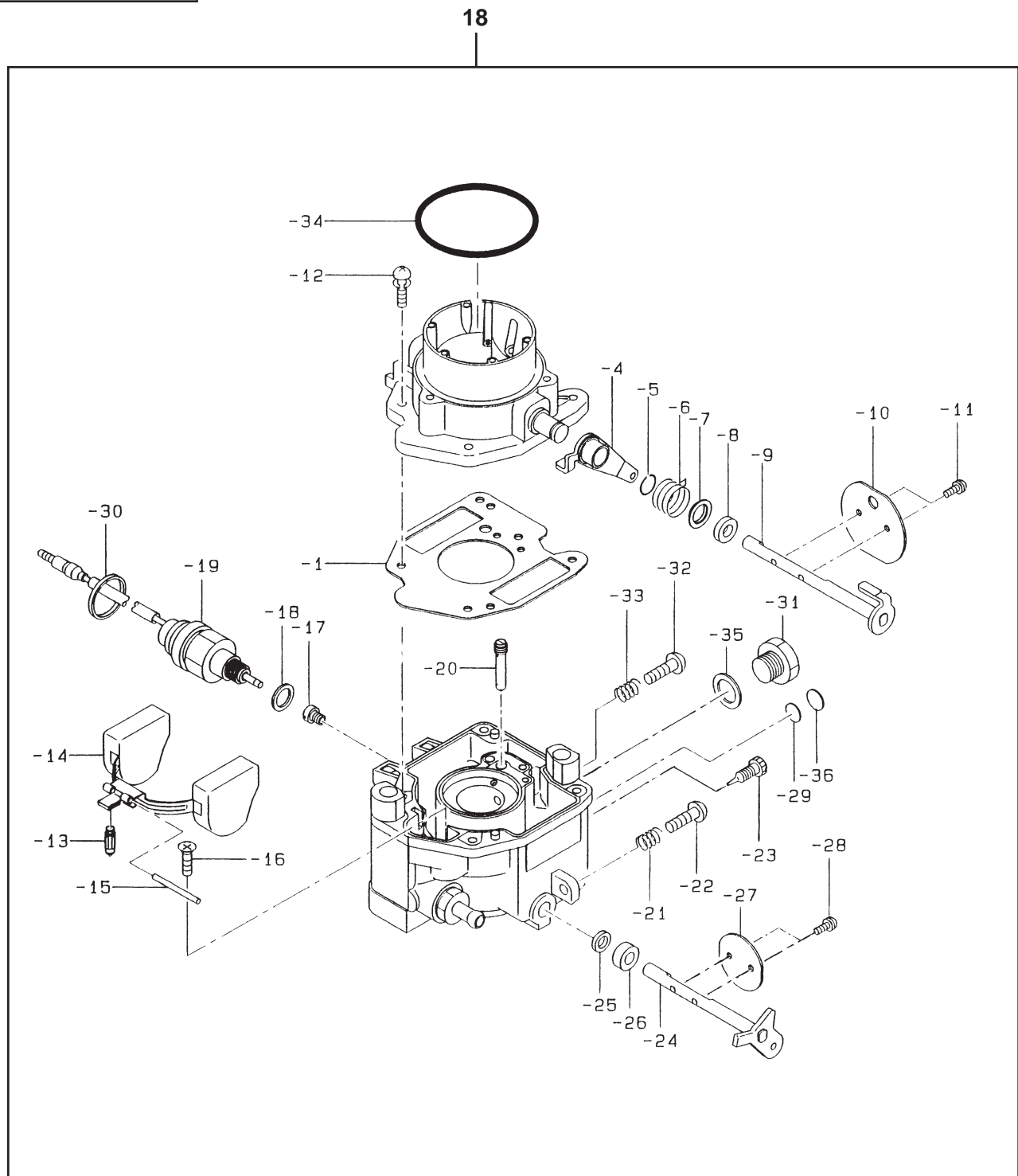
SECTION 6 FUEL and LUBRICATION GROUP - New Type

FIG. 600



SECTION 7 CARBURETOR GROUP - EH63, 64, 65 - Old Type

FIG. 700

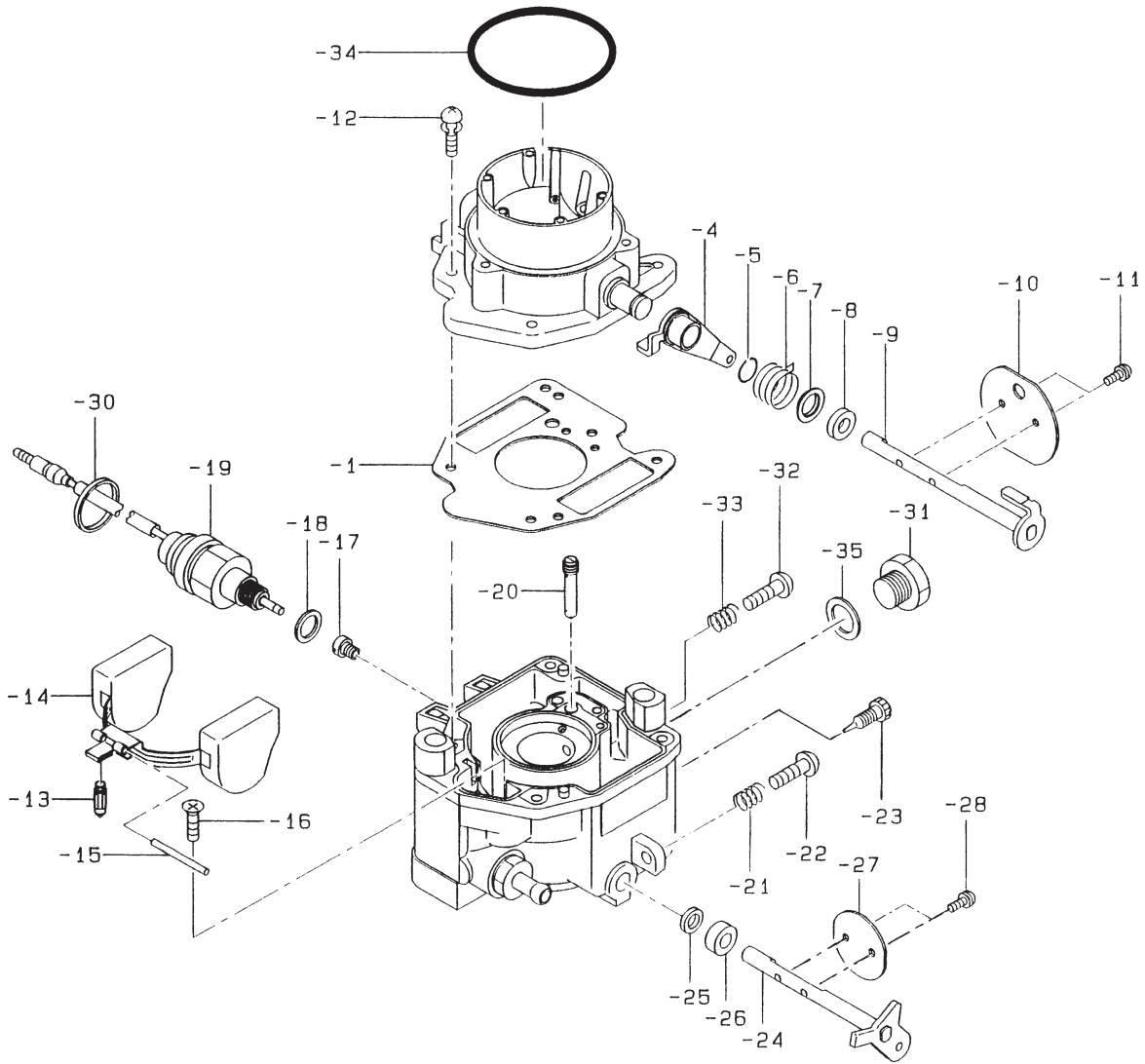


SECTION 7 CARBURETOR GROUP - EH63, 64, 65 - Old Type

REF.	PART NO.	DESCRIPTION	QTY.	REMARKS	FROM-TO	FIG.
18	263-62303-00	CARBURETOR AY, for EH65	1	Includes items -1 thru -36	~1999999	700
	263-62403-00	CARBURETOR AY, for EH64	1	Includes items -1 thru -36	~1999999	700
	263-62503-00	CARBURETOR AY, for EH 63	1	Includes items -1 thru -36	~1999999	700
-1	258-62545-08	GASKET, air horn	1		~1999999	700
-4	263-62524-08	LEVER AY, choke	1		~1999999	700
-5	258-62551-08	RING, choke lever	1		~1999999	700
-6	263-62445-08	SPRING, choke	1		~1999999	700
-7	258-62553-08	COLLAR, choke	1		~1999999	700
-8	258-62554-08	FILTER, choke shaft	1		~1999999	700
-9	263-62520-08	SHAFT AY, choke	1		~1999999	700
-10	258-62525-08	CHOKE VALVE	1		~1999999	700
-11	258-62555-08	SCREW, valve set	2		~1999999	700
-12	258-62450-08	SCREW, air horn set	4		~1999999	700
-13	226-62501-08	VALVE, float	1		~1999999	700
-14	258-62505-08	FLOAT AY	1		~1999999	700
-15	258-62515-08	FLOAT PIN	1		~1999999	700
-16	258-62556-08	SCREW, float pin set	1		~1999999	700
-17	263-62400-08	MAIN JET #132	1		~1999999	700
-18	258-62546-08	GASKET	1		~1999999	700
-19	258-62557-18	SOLENOID VALVE AY	1		~1999999	700
-20	258-62420-08	SLOW JET #60	1		~1999999	700
-21	258-62445-08	SPRING, adjust screw	1		~1999999	700
-22	258-62451-08	SCREW, throttle adjust	1		~1999999	700
-23	261-62435-08	NEEDLE, idle adjust	1		~1999999	700
-24	263-62532-08	THROTTLE SHAFT AY	1	EH63	~1999999	700
	263-62531-08	THROTTLE SHAFT AY	1	EH64	~1999999	700
	263-62530-08	THROTTLE SHAFT AY	1	EH65	~1999999	700
-25	226-62580-08	FILTER, throttle shaft	1		~1999999	700
-26	258-62570-08	COLLAR	1		~1999999	700
-27	263-62535-08	THROTTLE VALVE	1		~1999999	700
-28	261-62352-08	VALVE SET SCREW	2	M3 X 5mm	~1999999	700
-29	258-62560-08	EXPANSION PLUG	1		~1999999	700
-30	258-62566-08	CLAMP, solenoid	1		~1999999	700
-31	263-62551-08	PLUG	1		~1999999	700
-32	215-62353-08	SCREW	1		~1999999	700
-33	215-62446-08	SPRING	1		~1999999	700
-34	263-62560-08	O RING	1		~1999999	700
-35	263-62555-08	GASKET	1		~1999999	700
-36	263-62570-08	PLUG, anti tamper	1		~1999999	700

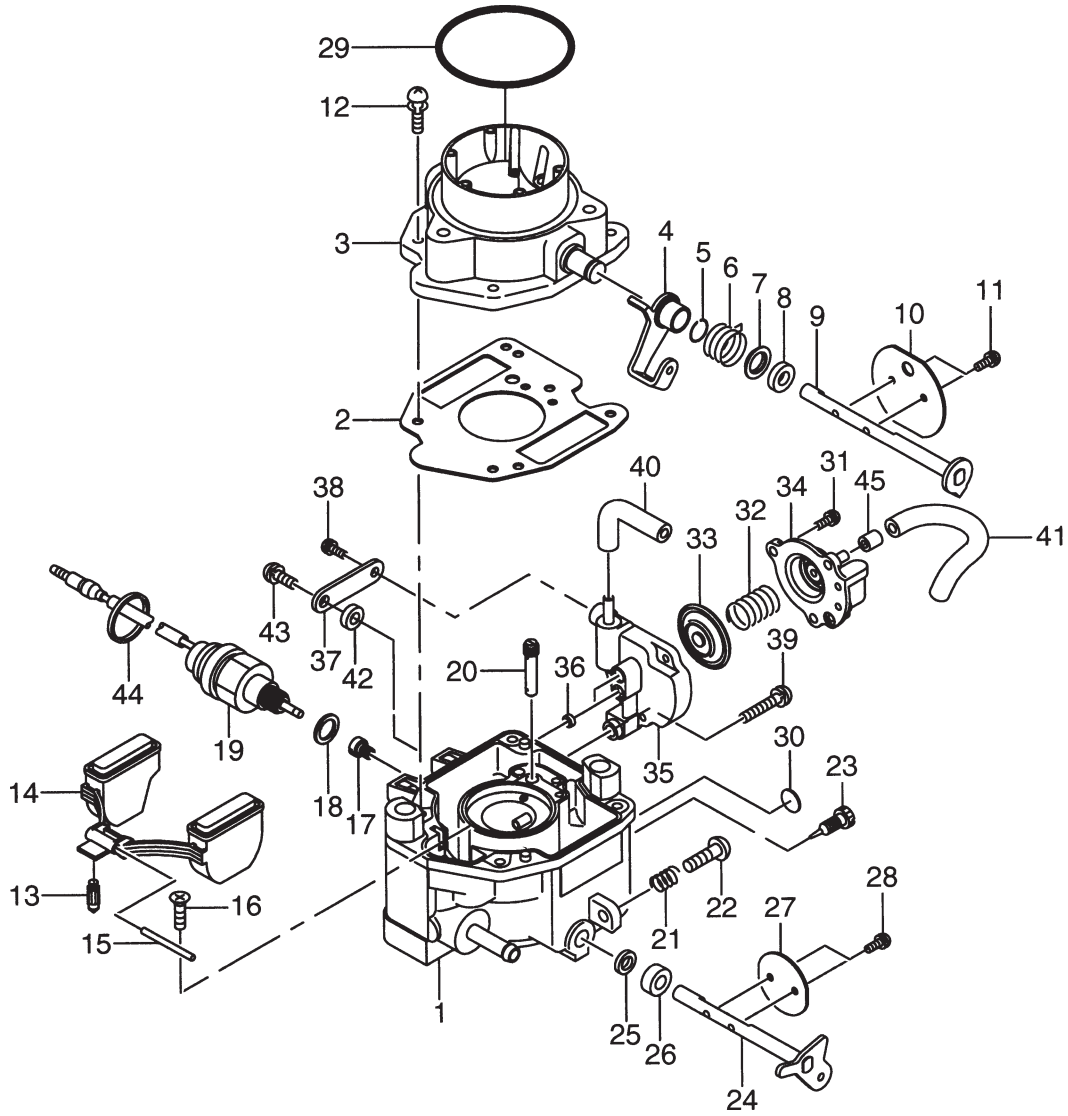
SECTION 7 CARBURETOR GROUP - EH63, 64, 65 - New Type

FIG. 700



SECTION 7 CARBURETOR GROUP - EH72

FIG. 710

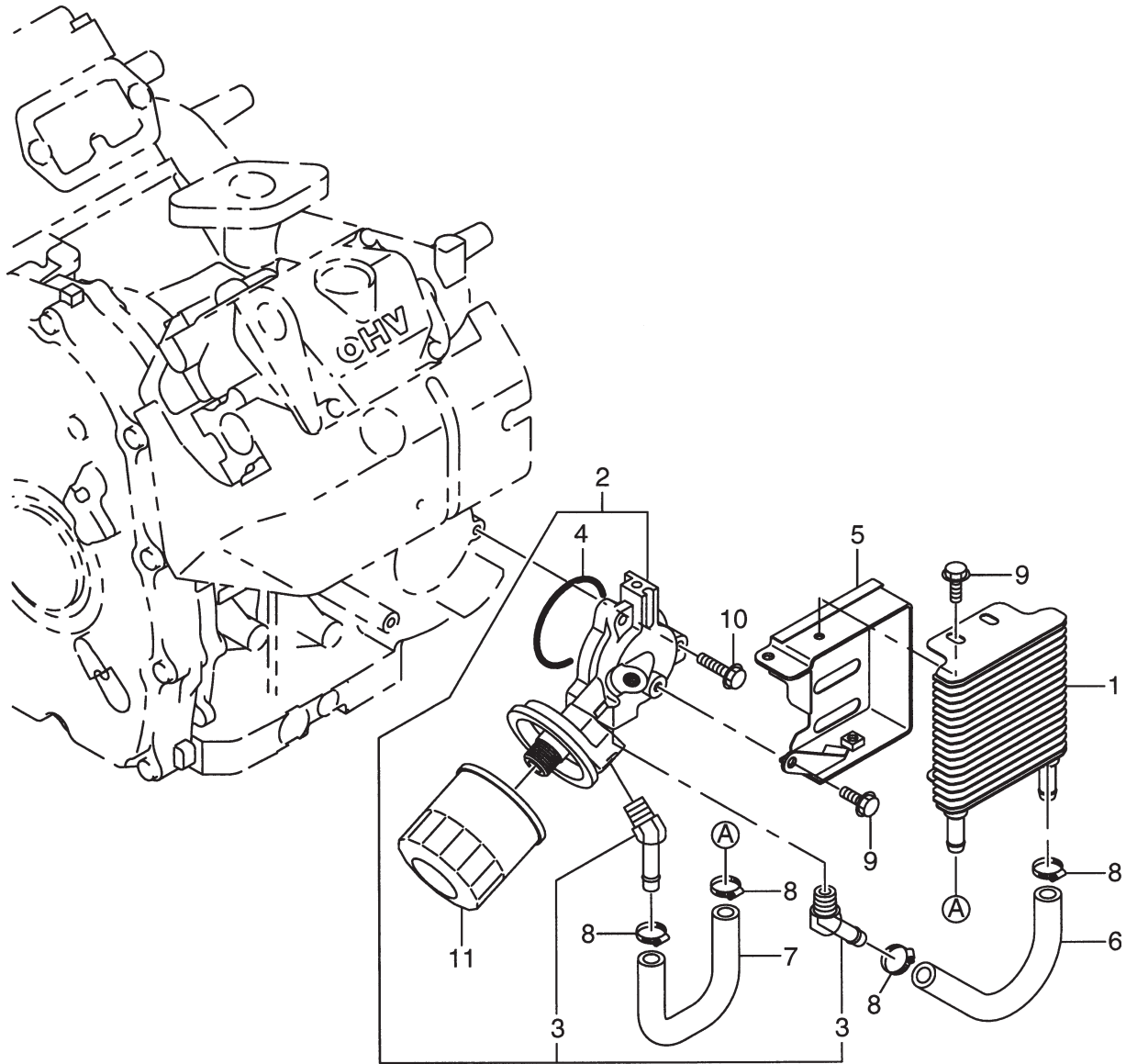


SECTION 7 CARBURETOR GROUP - EH72

REF.	PART NO.	DESCRIPTION	QTY.	REMARKS	FROM-TO	FIG.
*1	280-62301-30	CARBURETOR AY	1	Includes items 2 thru 45		710
2	280-62545-08	GASKET, air horn	1			710
4	263-62524-08	LEVER AY, choke	1			710
5	258-62551-08	RING, choke lever	1			710
6	263-62445-08	SPRING, choke	1			710
7	280-62550-08	COLLAR, choke	1			710
8	258-62554-08	FILTER, choke shaft	1			710
9	263-62520-08	SHAFT ASS'Y, choke	1			710
10	258-62525-08	CHOKE VALVE	1			710
11	258-62555-08	SCREW, valve set	2			710
12	258-62450-08	SCREW, air horn set	4			710
13	226-62501-08	VALVE, float	1			710
14	280-62505-08	FLOAT AY	1			710
15	258-62515-08	FLOAT PIN	1			710
16	258-62556-08	SCREW, float pin set	1			710
17	280-62400-08	MAIN JET (#138)	1			710
18	258-62546-08	GASKET	1			710
19	258-62557-08	SOLENOID VALVE AY	1			710
20	280-62421-08	JET, slow (#48)	1			710
21	258-62445-08	SPRING, adjust screw	1			710
22	258-62451-08	SCREW, throttle adjust	1			710
23	261-62435-08	NEEDLE, idle adjust	1			710
24	280-62530-08	THROTTLE SHAFT AY	1			710
25	226-62580-08	FILTER, throttle shaft	1			710
26	258-62570-08	COLLAR	1			710
27	263-62535-08	THROTTLE VALVE	1			710
28	261-62352-08	VALVE SET SCREW (M3x5mm)	2			710
29	263-62560-08	O RING	1			710
30	261-62358-08	PLUG, ANTI TAMPER	1			710
31	280-62586-08	SCREW and WASHER AY	3			710
32	280-62320-08	SPRING	1			710
33	280-62358-08	DIAPHRAGM AY	1			710
34	280-62359-08	COVER AY	1			710
35	280-62360-08	BODY AY	1			710
36	280-62355-08	U RING	2			710
37	280-62589-08	HOLDER	1			710
38	280-62586-08	SCREW and WASHER AY	1			710
39	280-62587-08	SCREW, body set	1			710
40	280-62356-08	PIPE, connector	1			710
41	280-62357-08	PIPE, connector	1			710
42	280-62588-08	SPACER	1			710
43	280-62585-08	SCREW, holder set	1			710
44	258-62566-08	CLAMP, SOLENOID WIRE	1			710
45	280-62450-08	JET	1			710

SECTION 8 OIL COOLER and OIL FILTER GROUP - EH72

FIG. 800



SECTION 9 ELECTRIC DEVICE GROUP - OLD STYLE

FIG. 900

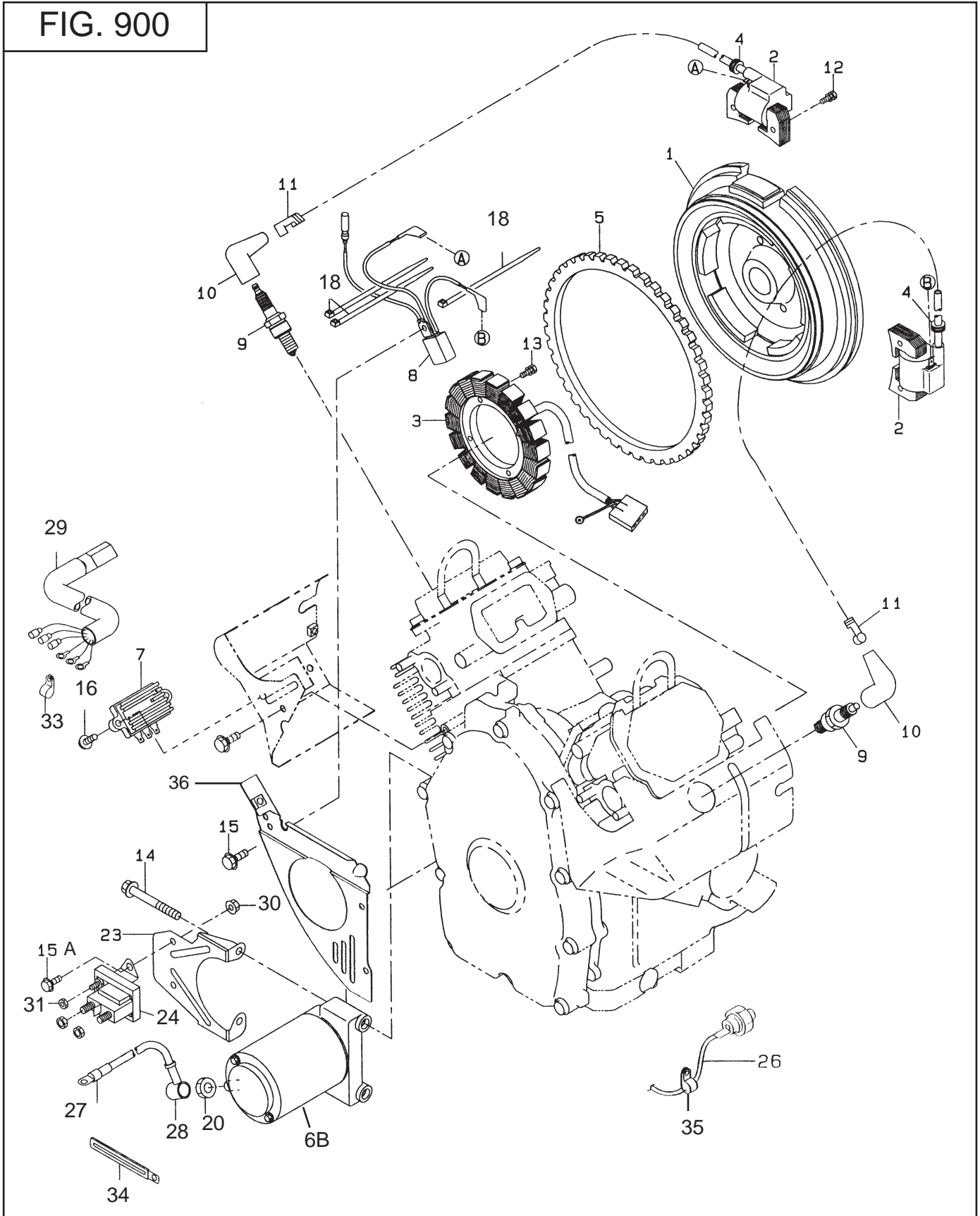
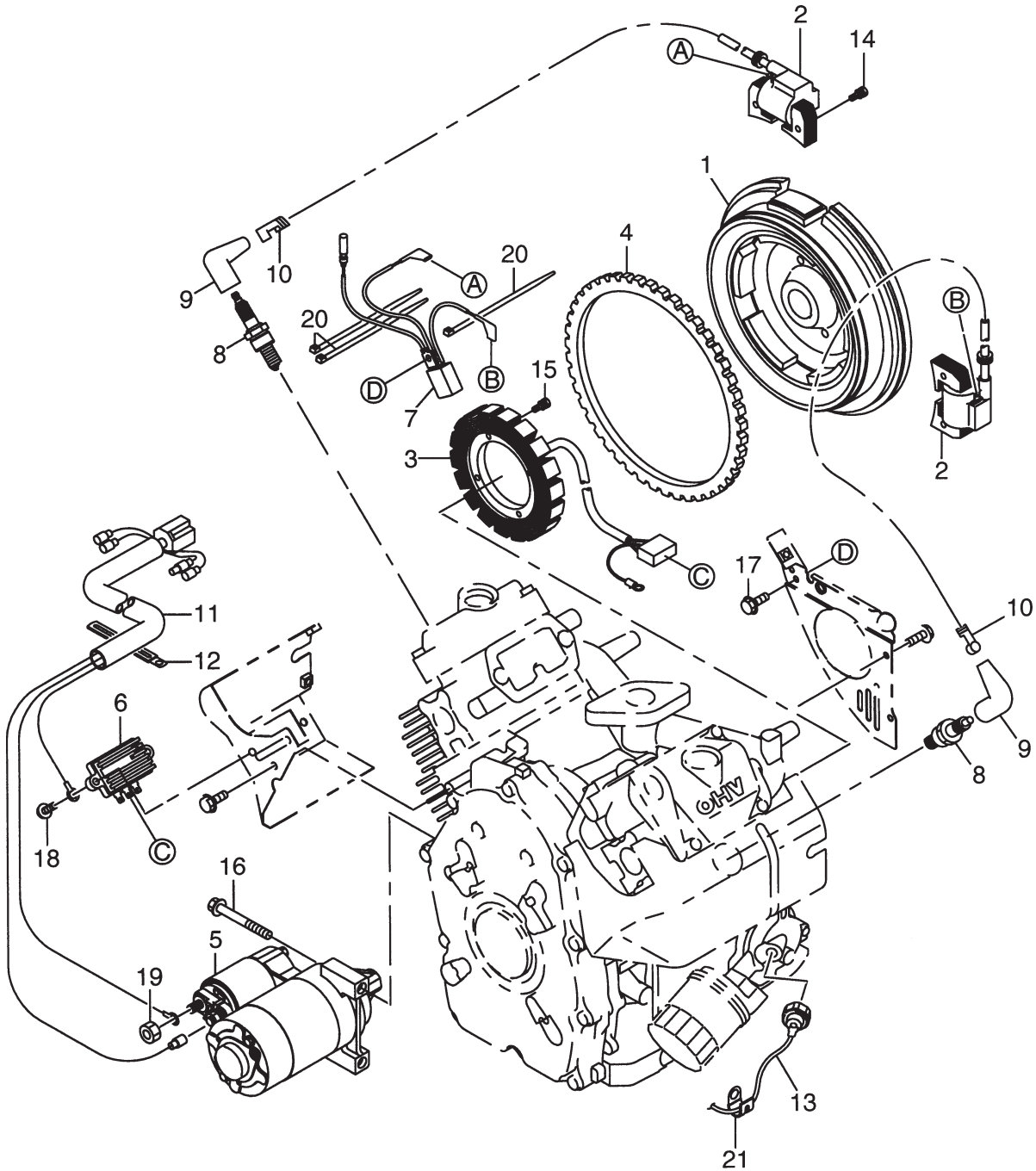
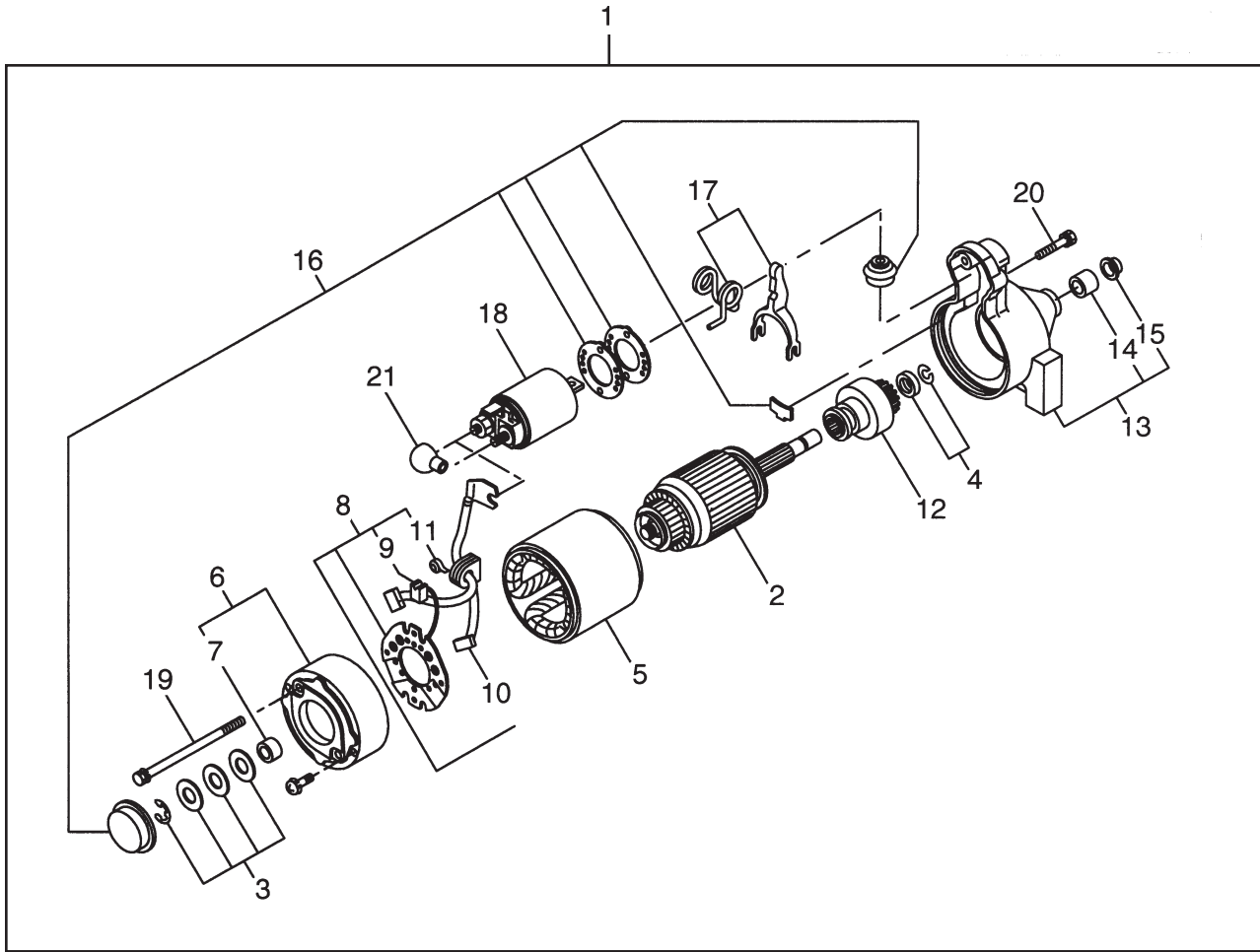


FIG. 910



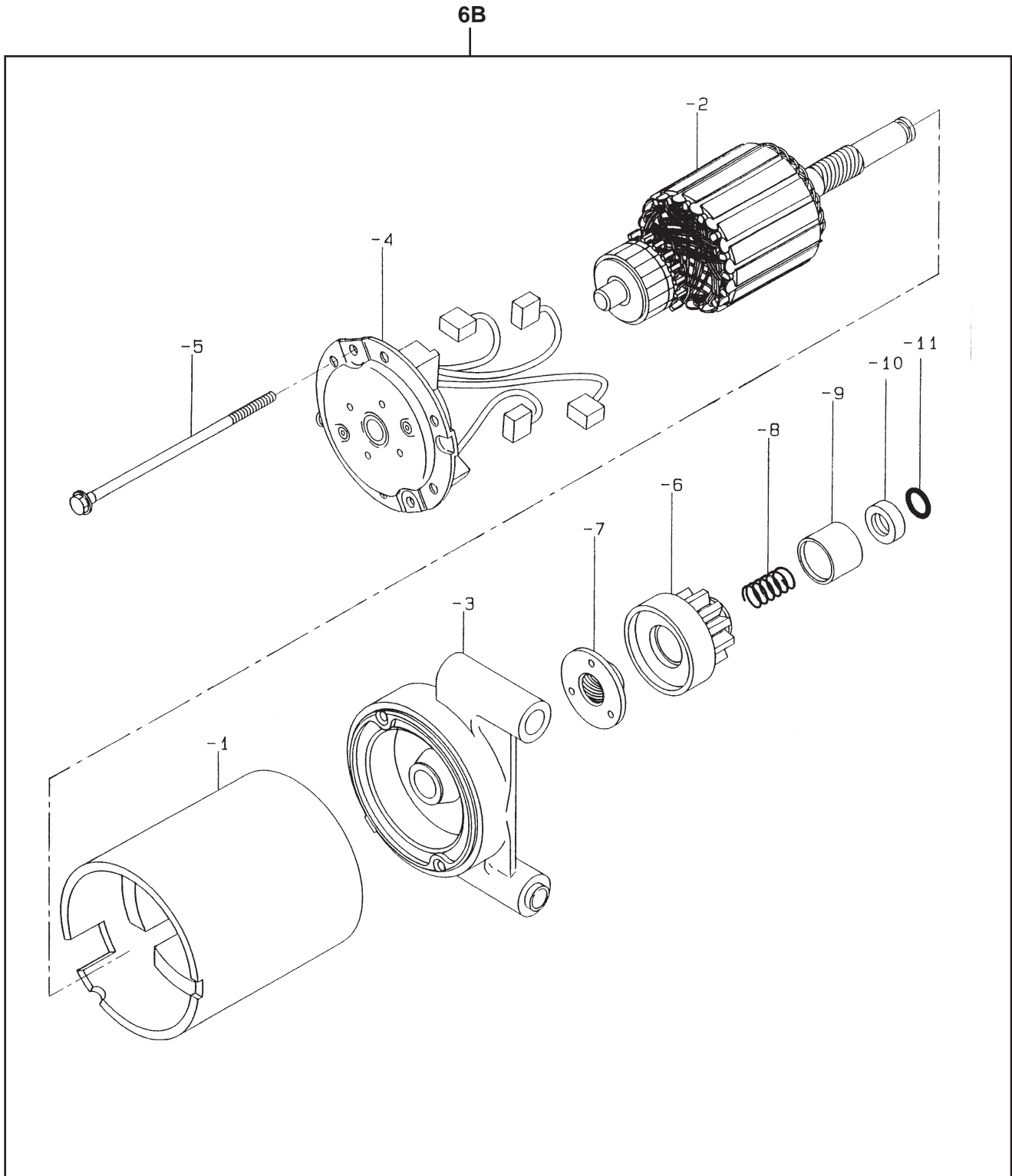
SECTION 10 STARTING MOTOR GROUP - NEW STYLE (HITACHI)

FIG. 1000



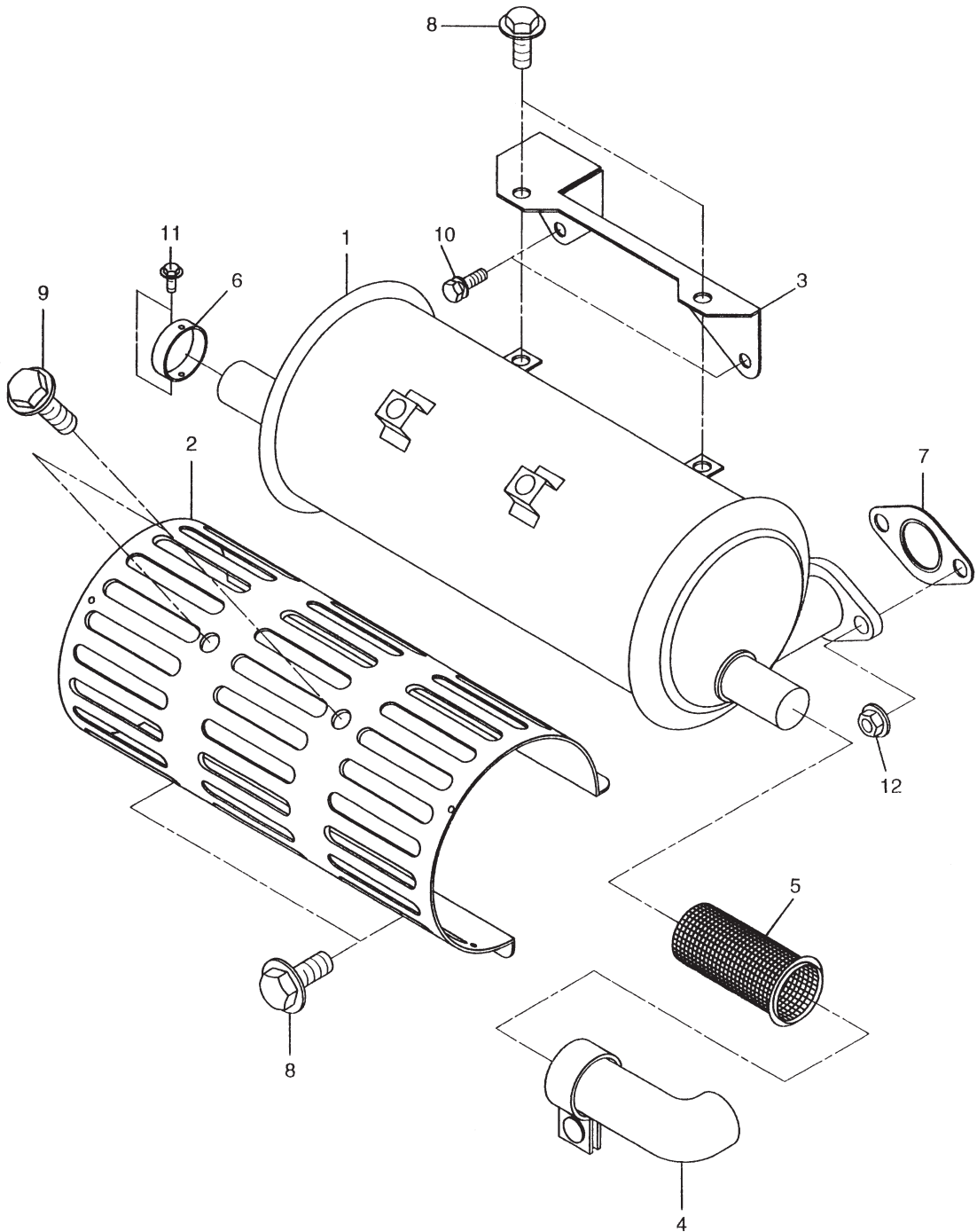
SECTION 11 STARTING MOTOR GROUP - OLD STYLE

FIG. 1100



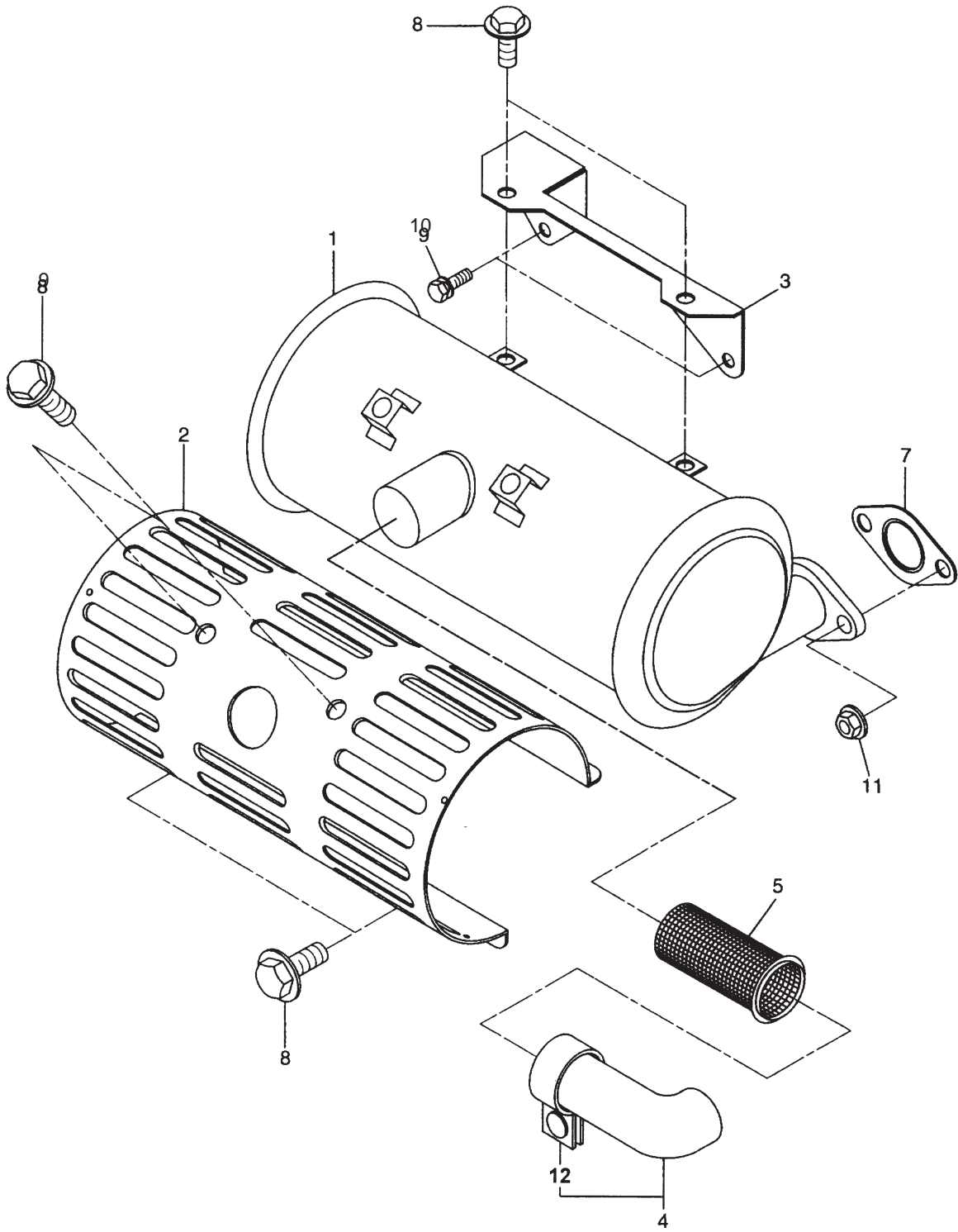
SECTION 12 ACCESSORY - MUFFLER, TOP MOUNT, SIDE OUTLET

FIG. 1200



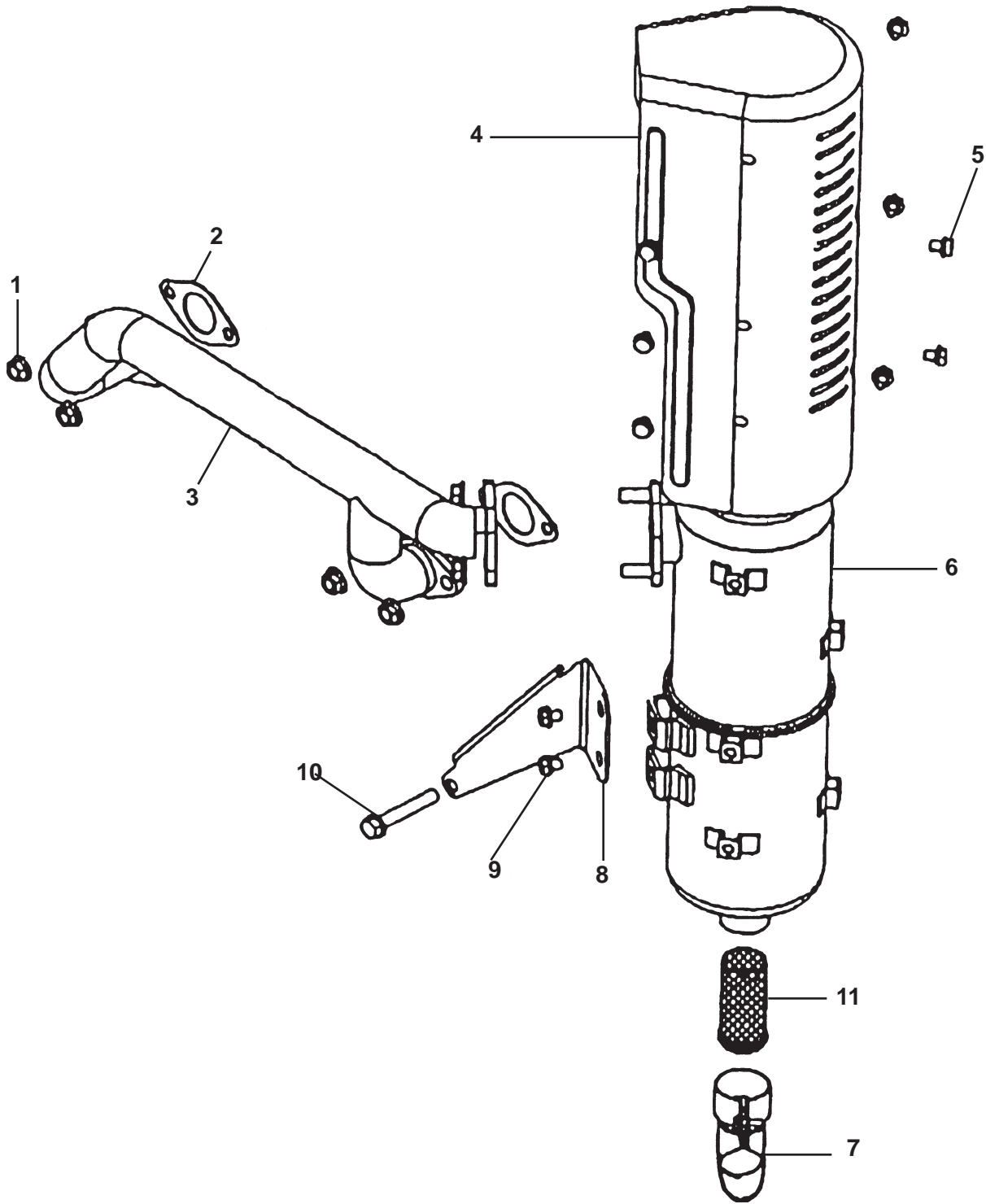
SECTION 13 ACCESSORY - MUFFLER, TOP MOUNT, REAR OUTLET

FIG. 1300



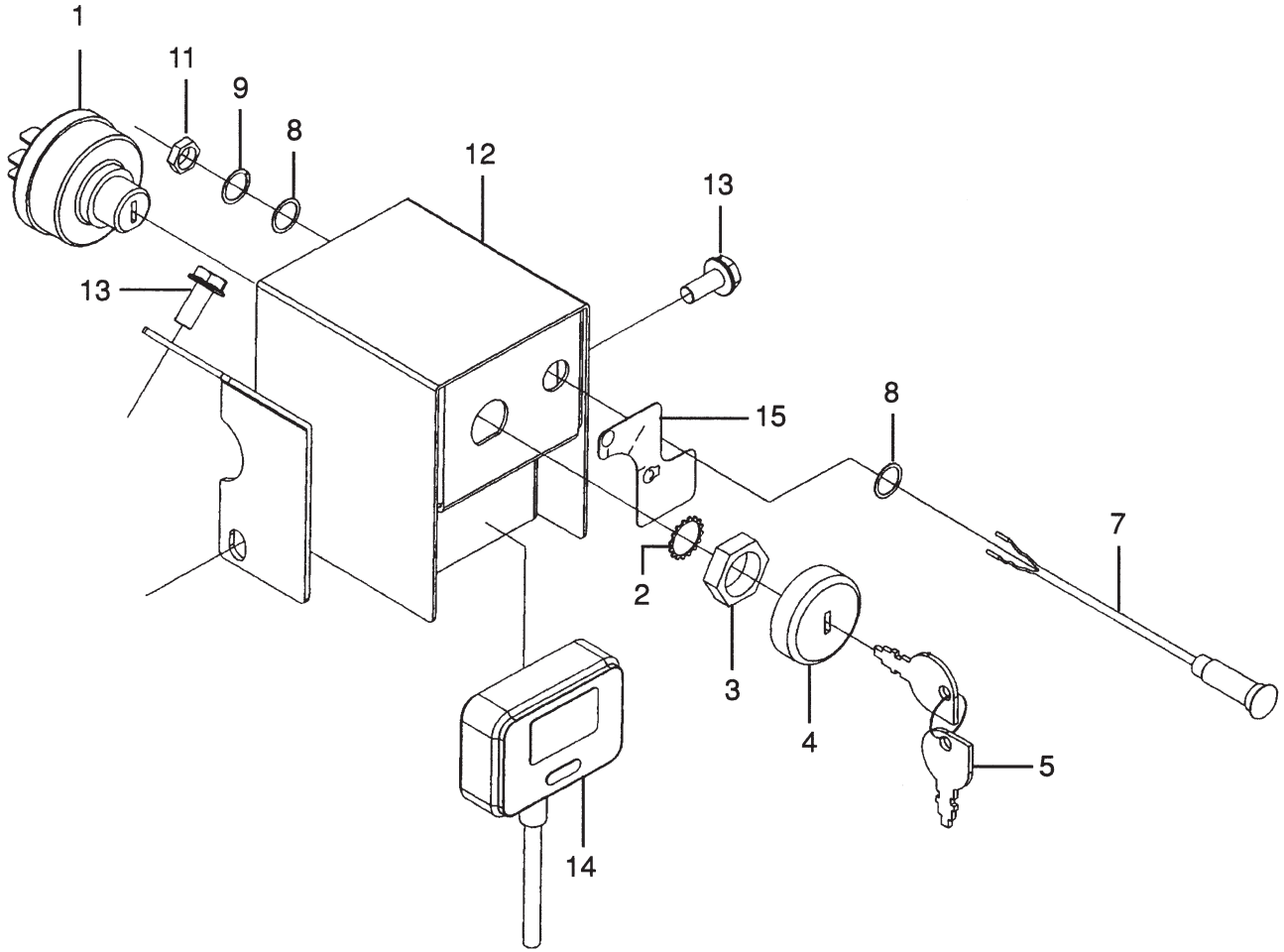
SECTION 14 ACCESSORY - MUFFLER, SIDE MOUNT OIL FILTER SIDE

FIG. 1400



SECTION 15 KEY SWITCH with TACHOMETER/HOUR METER

FIG. 1500



PRINTED IN THE USA