

PARTS MANUAL

Models

EH41, EH36

ENGINES

PUB-EP5728
Rev. 5/99

Robin America, Inc.

940 Lively Blvd. • Wood Dale, IL 60191 • Phone: 630-350-8200 • Fax: 630-350-8212
e-mail: sales@robinamerica.com • www.robinamerica.com

© Copyright 1999 Robin America, Inc.

HOW TO USE THIS MANUAL

Robin engines are identified by MODEL, SPECIFICATION, and CODE NUMBER. For each model there may be many different versions called specifications. Each specification will be unique in some way. The difference may only be the paint color or it may have a different type of PTO or some other significant difference.

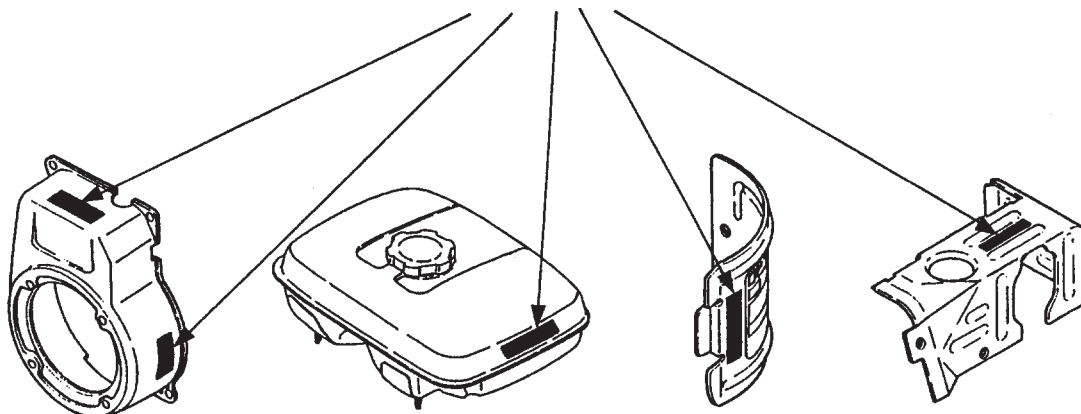
In order to identify the correct service part number, it is important to confirm the specification and code numbers for your engine. The specification and code number together are known as the PRODUCT NUMBER.

All Robin 4 cycle engines have a Product Number label similar to the label illustrated below.

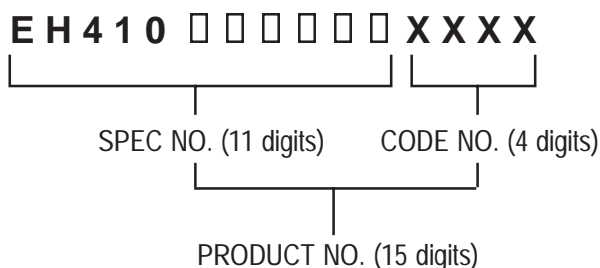
PRODUCT NUMBER LABEL



PRODUCT NUMBER LABEL LOCATIONS



The Product Number Label has a 15 digit alphanumeric string that consists of the SPECIFICATION (SPEC) number (11 digits) and the CODE number (4 digits). Please note the illustration below:



MANUAL LAYOUT

① — SECTION 6 **FUEL GROUP** **④**

② — FIG. 600

DETAIL A

① — SECTION 6 **FUEL GROUP** **⑥** **⑦** **⑨** **②**

REF.	PART NO.	DESCRIPTION	QTY	REMARKS	FROM-TO	FIG.
10	267-60103-01	FUEL TANK CP	1	YD, YS TYPE, BLACK	2101-	600
	267-60101-01	FUEL TANK CP	1	YELLOW	-2100	600
27	073-20039-00	LABEL, WARNING	1	YD, YS TYPE		600
30	043-04300-15	FUEL TANK CAP CP	1			600
31	267-95201-03	LABEL, EMISSION	1	YD, YS TYPE		600
40	064-13600-10	FUEL FILTER	1			600
50	064-20021-01	FUEL STRAINER AY	1			600
-1	064-20002-20	FILTER	1			600
-2	064-20002-30	GASKET	1			600
-3	064-20019-10	CUP	1			600
-4	064-20003-20	NUT	1			600

1. SECTION NAME Parts are broadly classified according to their functions. Refer to the Group Index (table of contents) for respective section name.
2. FIG. No. The FIG. number indexes the reference and part numbers to the illustration. Figure numbers that vary only in the tens place (i.e.: 700 and 710) are in a group of the same section (i.e.: Electrical Device Group).
3. REF. No. The Reference number identifies the part illustration with the corresponding part number in the part list.
4. SUBASSEMBLY SUBASSEMBLY parts of part assembly are listed below the assembly part. The subassembly part reference number is indicated by the number led by "-" such as "-1", "-2".
5. PART NUMBER It is the number assigned for sales unit. Use the PART No. when making an order.
6. DESCRIPTION It is designation of the part.
7. QTY. Quantity of each part used for each product.
8. REMARKS This gives a distinctive feature and/or a supplementary comment for the type, the specification, and the part concerned. It also shows part number(s) interchangeable for the part.
9. FROM-TO This section shows the CODE No. to indicate the history of progress in which improved parts have been introduced in the product. The FROM-TO CODE No. helps to identify PART No. being employed in the product concerned. See the examples below:
 - The part is used in the product irrespective of CODE No.
 - 2101- The part is used in the products with CODE No. of 2101 and after this number.
 - 2100 The part is used in the products with CODE No. of 2100 and before this number.

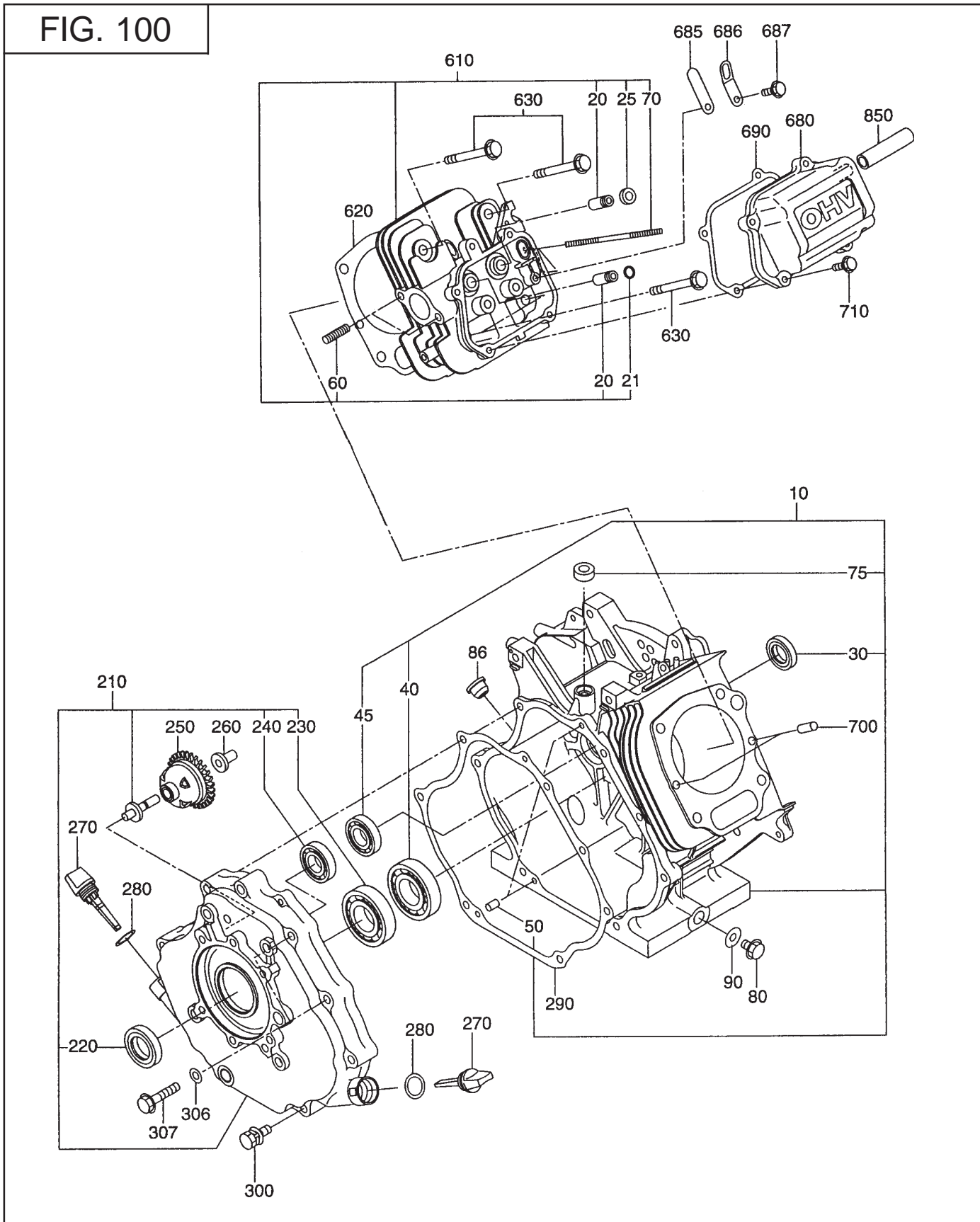
GROUP INDEX

Group Name	Page
CRANKCASE GROUP	6
CRANKSHAFT GROUP	8
INTAKE and EXHAUST GROUP	10
GOVERNOR GROUP	12
COOLING and STARTING GROUP	14
FUEL GROUP	16
ELECTRIC DEVICE GROUP - RECOIL START	20
ELECTRIC DEVICE GROUP - ELECTRIC START	22
ELECTRIC DEVICE GROUP - ELECTRIC STARTER	24
ELECTRIC DEVICE GROUP - OIL SENSOR	26

INDEX OF DESCRIPTION SYMBOLS			
SYMBOL	DESCRIPTION	SYMBOL	DESCRIPTION
AY	ASSEMBLY	P=	PITCH (in mm)
CP	COMPLETE	P.T.O. (PTO)	POWER TAKE OFF
EX	EXPORT (from Japan)	REF.	REFERENCE
FIG.	FIGURE	R.H. (RH)	RIGHT HAND SIDE
FR.	FRONT	RR.	REAR
"	INCH	STD.	STANDARD
INCL.	INCLUDE	SW	SWITCH
-L	LITER	T=	THICKNESS (in mm)
L=	LENGTH (in. mm)	UN	UNIT
L.H. (LH)	LEFT-HAND SIDE	U.S.	UNDER SIZE
MECH	MECHANICAL	~V	VOLTAGE
NO (NON)	NONE	~W	WATT
OPT.	OPTIONAL	W/	WITH
O.S.	OVER SIZE	W/O	WITHOUT

SECTION 1 CRANKCASE GROUP

FIG. 100

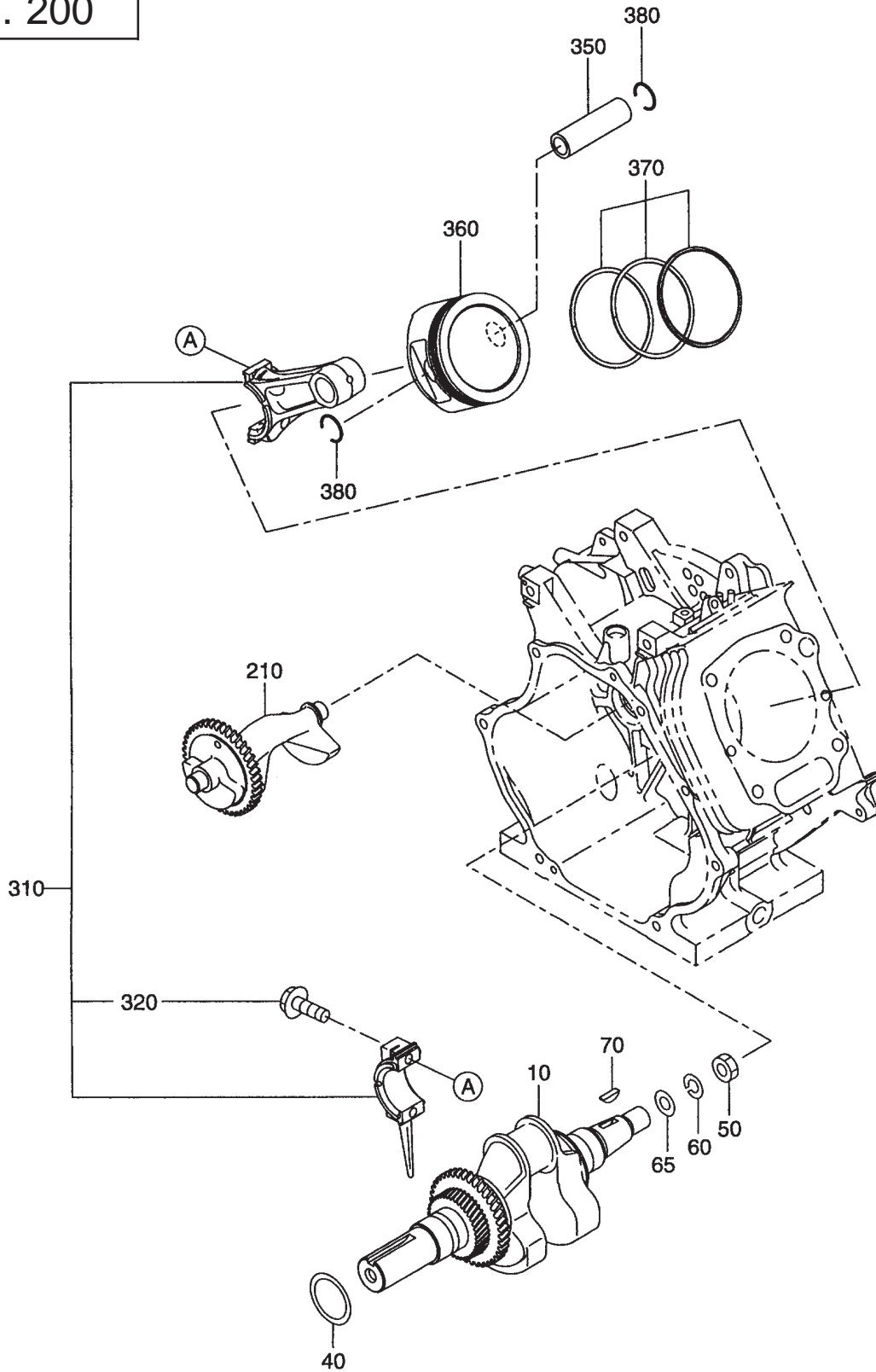


SECTION 1 CRANKCASE GROUP

REF.	PART NO.	DESCRIPTION	QTY.	REMARKS	FROM-TO	FIG.
10	267-10101-21	CRANKCASE CP	1			100
	267-10102-21	CRANKCASE CP	1	electric start type		100
20	132-12AA0-80	VALVE GUIDE, STD.	2			100
21	056-51000-40	CLIP	1			100
25	132-07AA0-50	SEAL	1			100
30	044-03500-90	OIL SEAL	1			100
40	060-03500-10	BALL BEARING	1	BB-6207C3		100
45	060-01500-60	BALL BEARING	1	BB-6202C3 i/w 060-01500-10		100
50	031-00600-20	DOWEL PIN	2			100
60	010-50802-90	STUD	2			100
70	010-50602-91	STUD	2			100
75	044-00800-10	OIL SEAL	1	7.4 x 14 x 4		100
80	040-11400-30	PLUG	2			100
86	042-01800-10	PLUG, RUBBER	1	w/o OIL SENSOR TYPE		100
90	021-11400-20	GASKET	2			100
210	267-11002-11	MAIN BEARING COVER CP	1	SAE		100
	267-11001-11	MAIN BEARING COVER CP	1	METRIC		100
220	044-03500-90	OIL SEAL	1	35 x 48 x 8		100
230	060-03500-10	BALL BEARING	1	BB-6207C3		100
240	060-01500-10	BALL BEARING	1	BB-6202C3		100
250	267-45001-01	GOVERNOR GEAR CP	1			100
260	205-41901-03	GOVERNOR SLEEVE	1			100
270	224-63601-03	OIL GAUGE	2			100
280	021-32000-10	GASKET	2			100
290	267-15101-13	GASKET, BEARING COVER	1			100
300	013-00802-20	BOLT AND WASHER AY	5			100
306	003-11080-00	WASHER	2			100
307	267-19999-03	FLANGE BOLT	2			100
610	267-13001-11	CYLINDER HEAD CP	1			100
620	267-15001-03	GASKET, HEAD	1			100
630	011-01000-30	FLANGE BOLT	4			100
680	267-15501-01	ROCKER COVER CP	1			100
685	267-16101-A3	RETAINER PLATE	1			100
686	267-16001-A3	LEAF VALVE	1			100
687	011-00600-10	FLANGE BOLT	1			100
690	267-15201-13	GASKET, ROCKER COVER	1			100
700	031-00600-20	DOWEL PIN	2			100
710	011-00601-30	FLANGE BOLT	4			100
850	085-11000-00	RUBBER PIPE	1	10 x 15 x 70		100

SECTION 2 CRANKSHAFT GROUP

FIG. 200

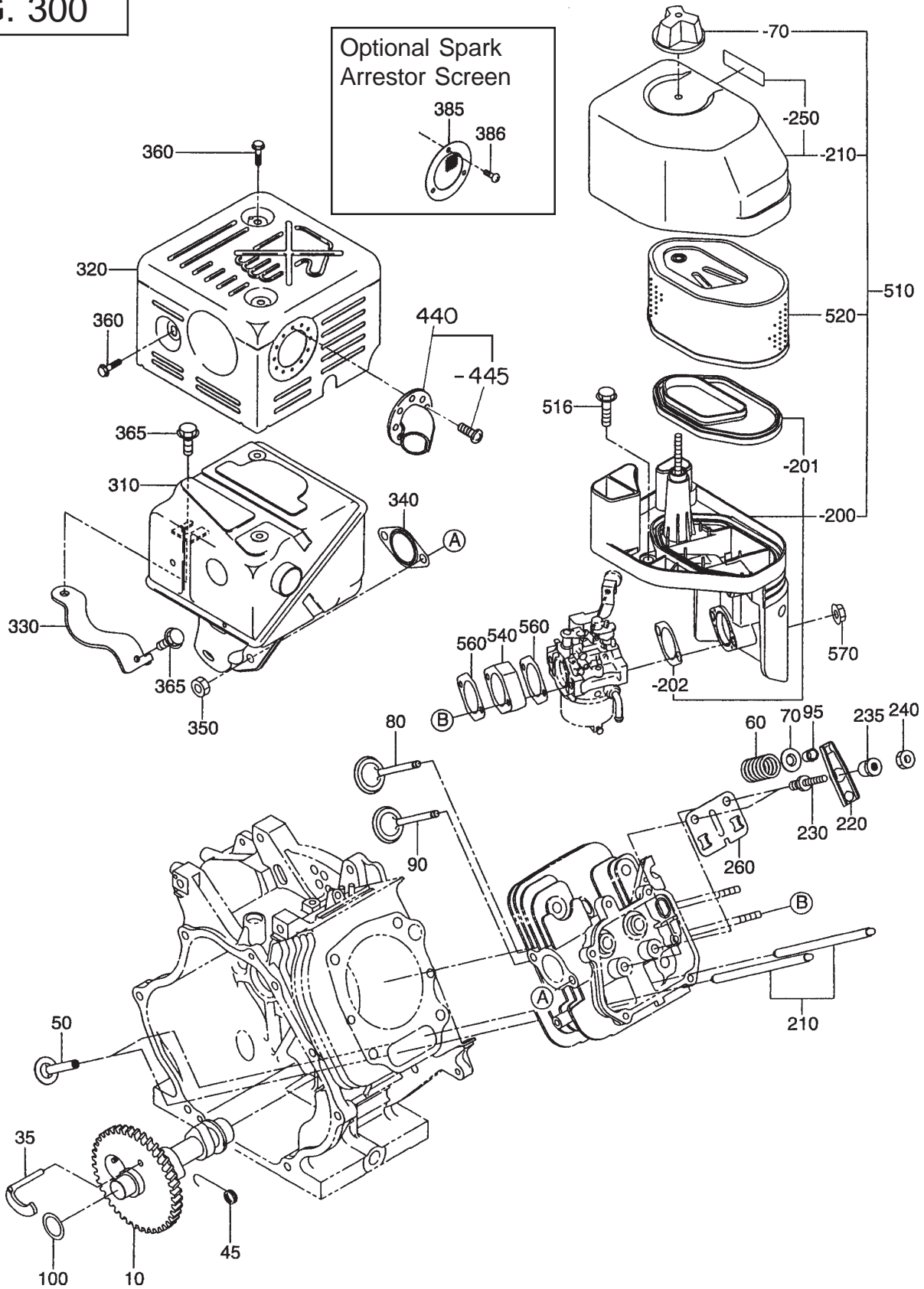


SECTION 2 CRANKSHAFT GROUP

REF.	PART NO.	DESCRIPTION	QTY.	REMARKS	FROM-TO	FIG.
10	267-20901-01	CRANKSHAFT CP	1	1" KEY, SAE		200
	267-21001-01	CRANKSHAFT CP	1	1" PUMP, SAE		200
	267-21201-01	CRANKSHAFT CP	1	TAPER, SAE		200
	267-20201-01	CRANKSHAFT CP	1	25MM KEY, METRIC		200
40	023-03501-60	SPACER T=0.6	1	select 1 spacer only		200
	023-03501-70	SPACER T=0.8	1	select 1 spacer only		200
	023-03501-80	SPACER T=1.0	1	select 1 spacer only		200
50	002-18180-00	NUT	1			200
60	003-20180-00	SPRING WASHER	1			200
65	003-10180-00	WASHER	1			200
70	005-32054-01	WOODRUFF KEY	1			200
210	267-24101-03	BALANCER SHAFT	1			200
310	267-22501-00	CONNECTING ROD AY	1			200
320	001-05084-00	FLANGE BOLT	2			200
350	263-23301-03	PISTON PIN	1			200
360	267-23401-03	PISTON	1	STD.		200
	267-23402-03	PISTON	1	oversized 0.25mm		200
	267-23403-03	PISTON		oversized 0.50mm		200
370	267-23501-07	PISTON RING SET	1	STD.		200
	267-23502-07	PISTON RING SET	1	oversized 0.25mm		200
	267-23503-07	PISTON RING SET	1	oversized 0.50mm		200
380	056-52100-20	CLIP	2			200

SECTION 3 INTAKE and EXHAUST GROUP

FIG. 300

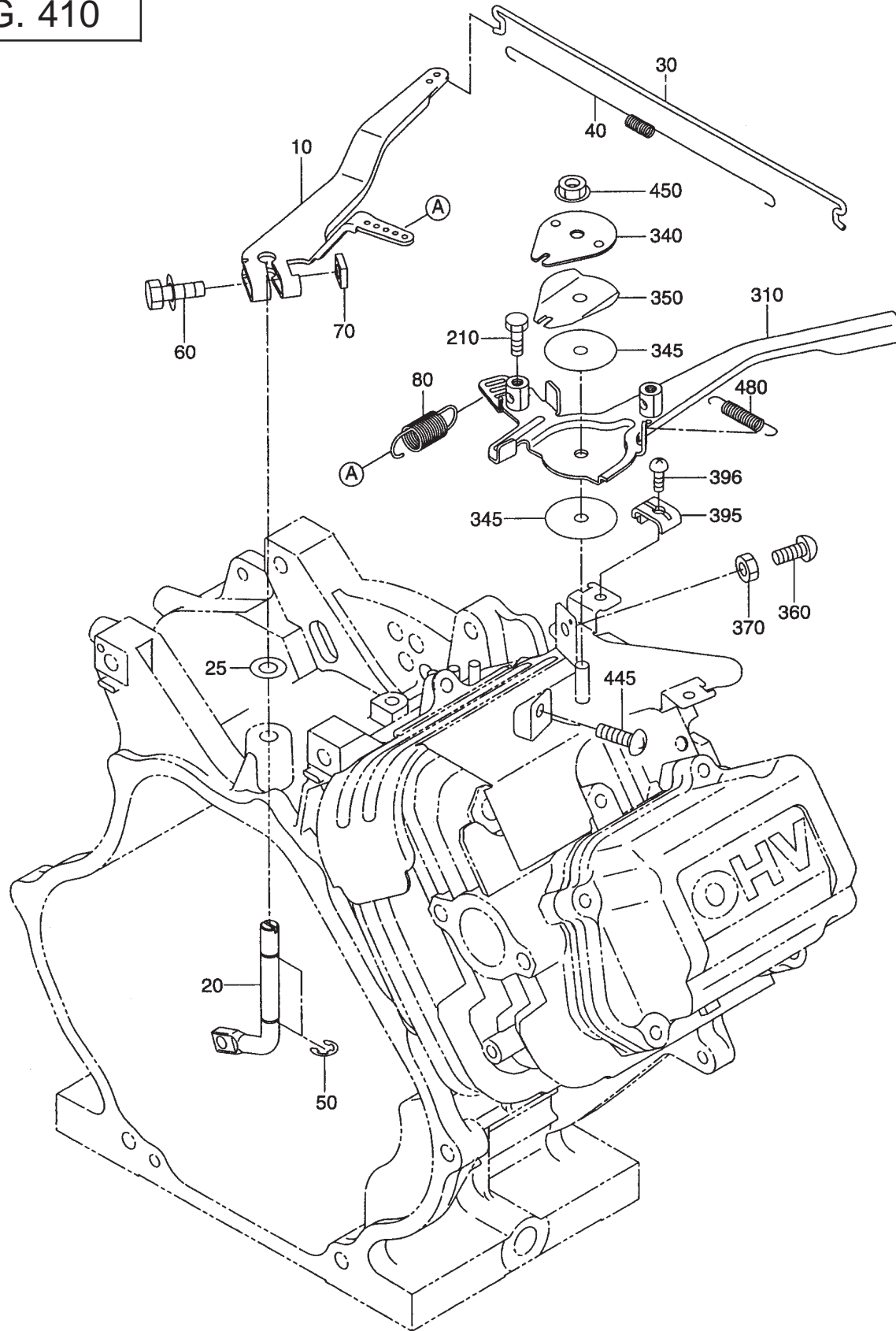


SECTION 3 INTAKE and EXHAUST GROUP

REF.	PART NO.	DESCRIPTION	QTY.	REMARKS	FROM-TO	FIG.
10	267-31A01-01	CAMSHAFT CP	1	EH41		300
	267-31B01-01	CAMSHAFT CP	1	EH36		300
35	246-36201-11	RELEASE LEVER CP	1			300
45	246-36701-03	RETURN SPRING	1			300
50	239-33301-13	TAPPET	2			300
60	246-33611-03	VALVE SPRING	2			300
70	246-33711-03	SPRING RETAINER	2			300
80	263-33401-03	INTAKE VALVE	1			300
90	267-33501-03	EXHAUST VALVE	1			300
95	246-35501-03	COLLET, VALVE	4			300
100	023-02200-50	SPACER T=0.6	1	select 1 spacer only		300
	023-02200-60	SPACER T=0.7	1	select 1 spacer only		300
	023-02200-70	SPACER T=0.8	1	select 1 spacer only		300
210	267-35301-B1	PUSH ROD CP	2			300
220	267-36101-A3	ROCKER ARM	2			300
230	261-35801-13	BOLT, PILOT	2	i/w 261-35801-03		300
235	261-35701-B3	PIVOT	2			300
240	017-00601-10	NUT	2			300
260	267-36501-A3	GUIDE PLATE	1			300
310	267-30101-02	MUFFLER UN	1			300
320	267-34201-01	MUFFLER COVER CP	1			300
330	267-37001-01	MUFFLER BRACKET CP	1			300
340	246-35201-03	GASKET, MUFFLER	1			300
350	017-00800-30	NUT	2			300
360	015-20601-10	TAPPING SCREW	5			300
365	001-04081-60	FLANGE BOLT	2			300
385	267-37101-02	SCREEN	1	spark arrestor		300
386	015-00400-60	TAPPING SCREW	3	for spark arrestor		300
440	246-37001-07	DEFLECTOR AY	1			300
-445	015-00400-60	TAPPING SCREW	3			300
510	267-32601-10	AIR CLEANER AY	1			300
-70	227-36524-03	CAP NUT	1	i/w 227-36523-03		300
-200	267-35001-11	CLEANER BASE CP	1			300
-201	267-35004-03	PACKING	1			300
-202	270-32720-08	PACKING	1			300
-210	267-35002-11	CLEANER COVER	1			300
-250	267-35005-03	LABEL, CONTROL	1			300
516	011-00601-01	FLANGE BOLT	1			300
520	267-35003-01	CLEANER ELEMENT CP	1			300
540	267-32901-03	INSULATOR	1			300
560	267-35901-A3	GASKET, INSULATOR	2			300
570	002-38060-00	FLANGE NUT	2			300

SECTION 4 GOVERNOR GROUP

FIG. 410

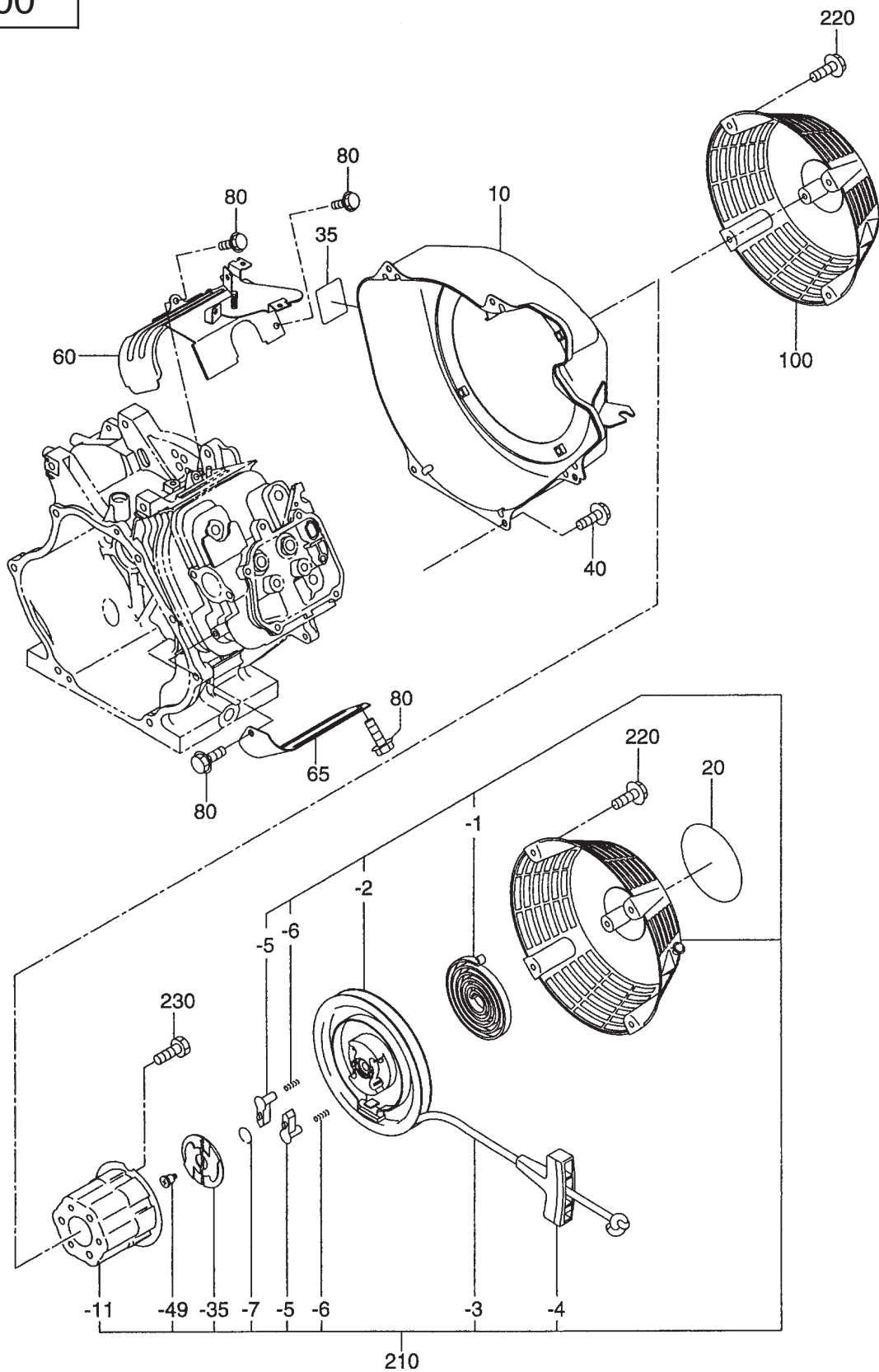


SECTION 4 GOVERNOR GROUP

REF.	PART NO.	DESCRIPTION	QTY.	REMARKS	FROM-TO	FIG.
10	267-42301-03	GOVERNOR LEVER	1			410
20	267-42201-03	GOVERNOR SHAFT	1			410
25	003-11080-00	WASHER	1			410
30	267-42701-01	GOVERNOR ROD CP	1			410
40	267-42801-13	ROD SPRING	1			410
50	003-13060-00	CLIP	2			410
60	001-14063-00	BOLT AND WASHER AY	1			410
70	018-60600-20	NUT	1			410
80	267-42501-03	GOVERNOR SPRING	1			410
210	011-60400-30	BOLT	1			410
310	267-43302-01	SPEED CONTROL LEVER	1			410
340	227-43501-13	STOP PLATE	1			410
345	021-70600-60	FRICITION WASHER	2			410
350	227-45002-03	SPRING WASHER	1			410
360	004-31061-80	SCEW, PANHEAD	1			410
370	002-27060-00	NUT	1			410
395	235-43901-13	CLAMP	1			410
396	004-36051-60	SCEW AND WASHER AY	1			410
445	004-31040-80	SCREW	1		- 4383	410
450	017-60600-30	SELF LOCK NUT	1	i/w 017-60600-20		410
480	267-45101-03	RETURN SPRING	1			410

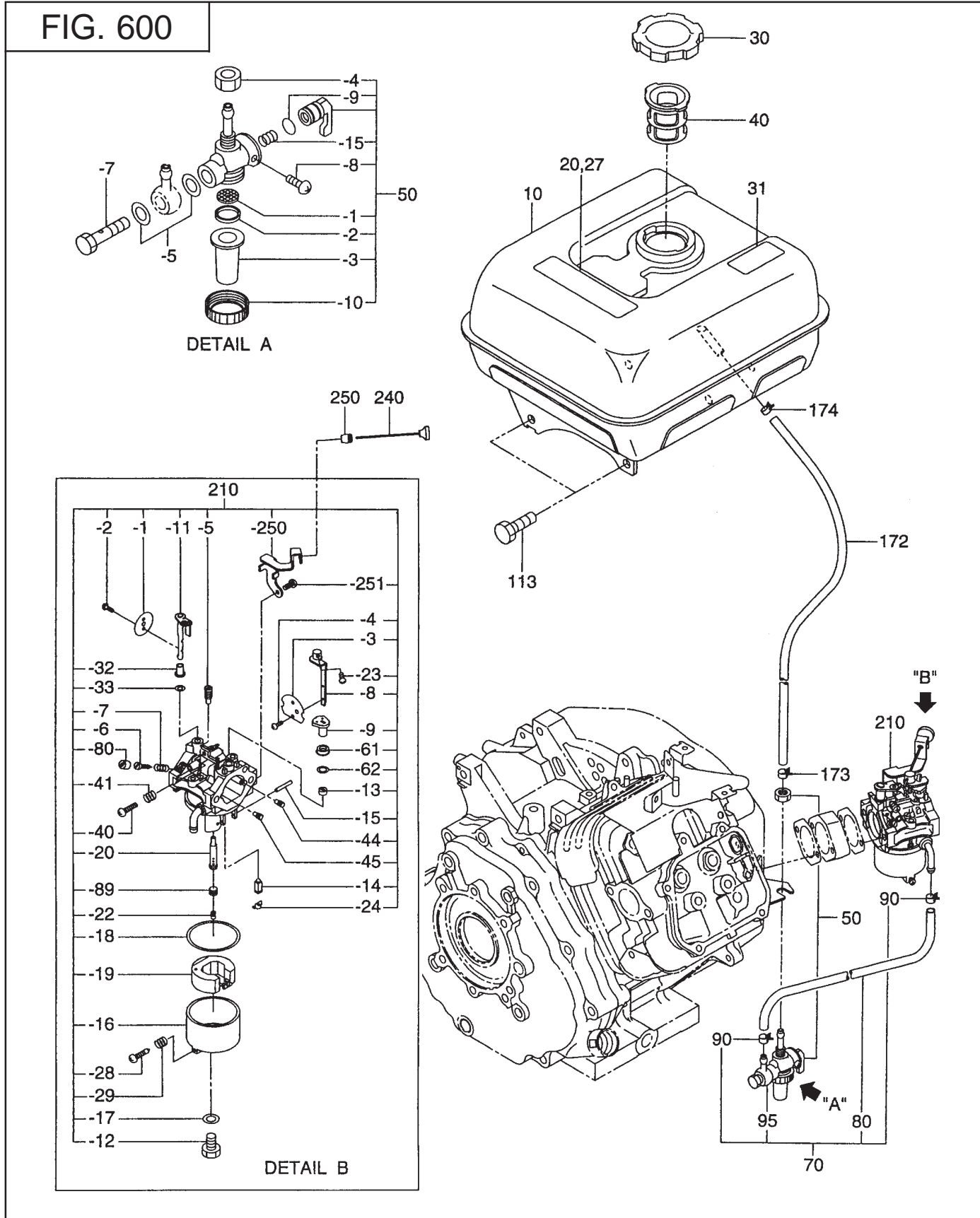
SECTION 5 COOLING and STARTING GROUP

FIG. 500



SECTION 6 FUEL GROUP

FIG. 600

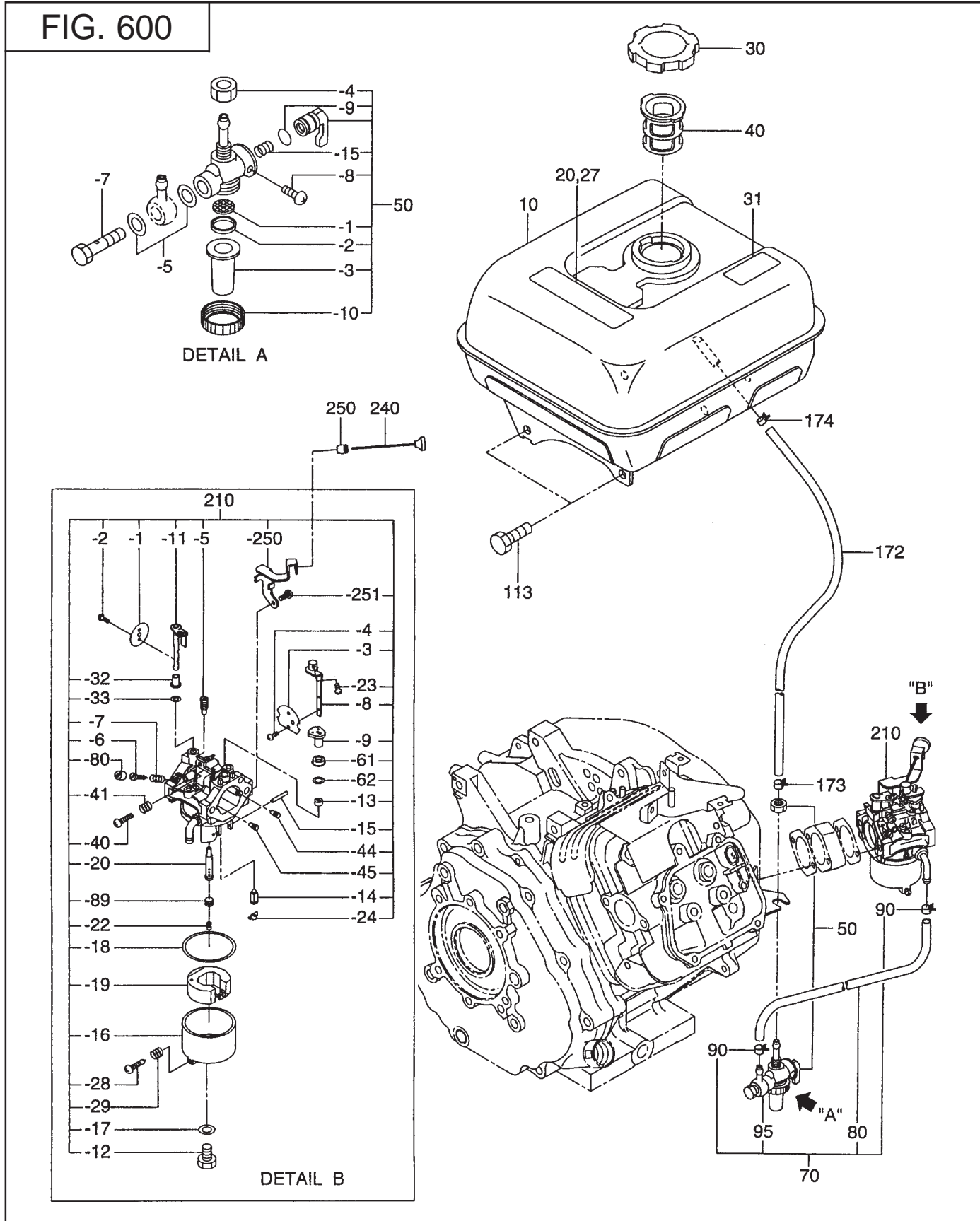


SECTION 6 FUEL GROUP

REF.	PART NO.	DESCRIPTION	QTY.	REMARKS	FROM-TO	FIG.
10	267-60103-01	FUEL TANK CP	1	BLACK		600
	267-60101-01	FUEL TANK CP	1	YELLOW		600
27	073-20039-00	LABEL, WARNING	1			600
30	043-04300-15	FUEL TANK CAP CP	1			600
31	267-95201-03	LABEL, EMISSION	1			600
40	064-13600-10	FUEL FILTER	1			600
50	064-20021-01	FUEL STRAINER AY	1			600
-1	064-20002-20	FILTER	1			600
-2	064-20002-30	GASKET	1			600
-3	064-20019-10	CUP	1			600
-4	064-20003-20	NUT	1			600
-5	064-20002-50	GASKET	2			600
-7	064-20002-40	BANJO BOLT	1			600
-8	064-20027-90	LOCK BOLT	1			600
-9	064-20003-30	O-RING	1			600
-10	064-20024-10	LOCK NUT	1			600
-15	064-20032-30	SPRING	1			600
70	224-62611-01	FUEL PIPE 11 CP	1			600
80	085-10600-00	RUBBER PIPE	1	6 x 12 x 100 mm		600
90	056-11100-20	HOSE CLAMP	2			600
95	052-10700-42	BANJO	1			600
113	001-13082-00	BOLT AND WASHER AY	4			600
172	085-10600-00	RUBBER PIPE	1	6 x 12 x 250 mm		600
173	056-11100-20	HOSE CLAMP	1			600
174	056-11200-40	HOSE CLAMP	1			600

SECTION 6 FUEL GROUP

FIG. 600

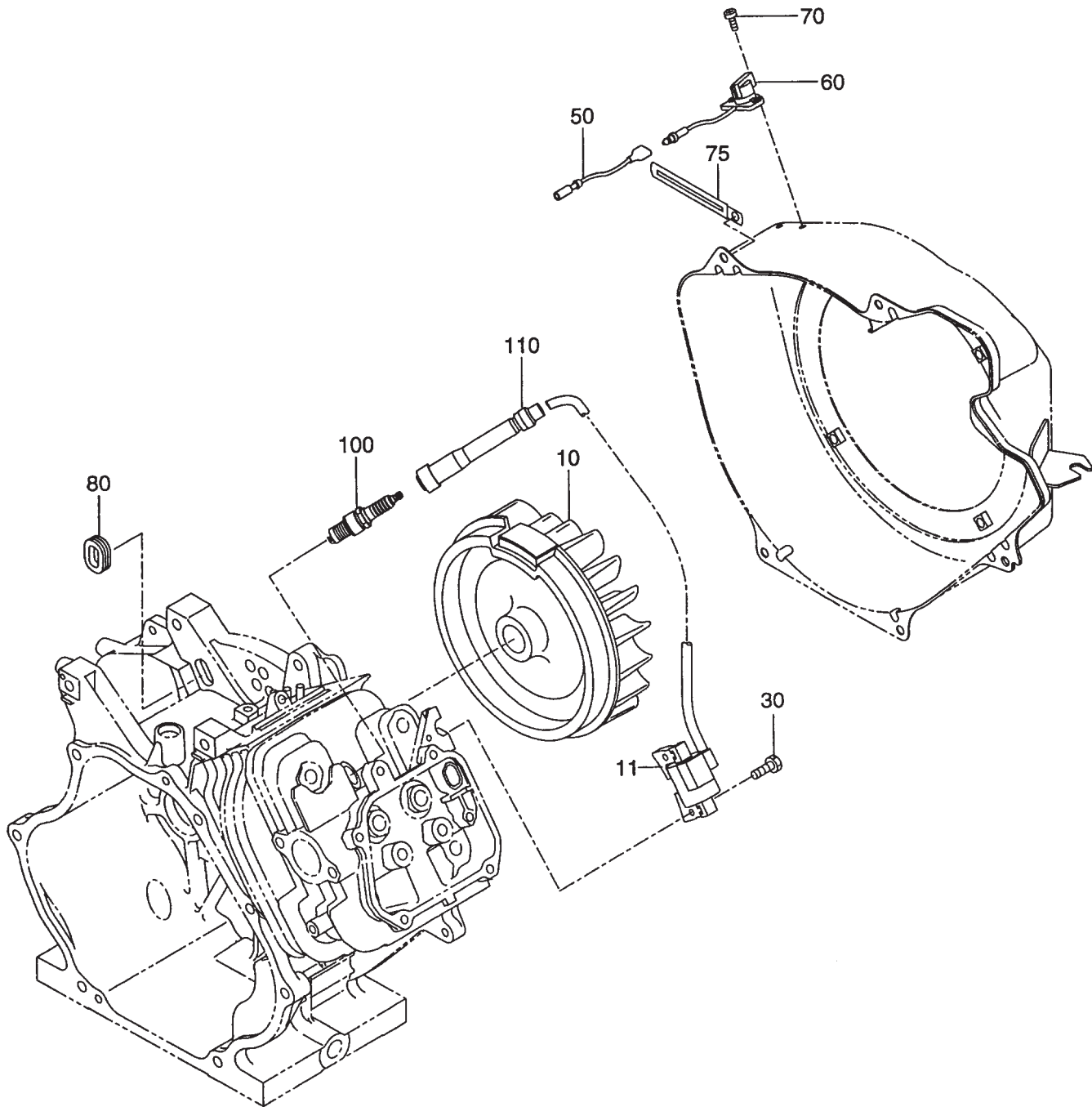


SECTION 6 FUEL GROUP

REF.	PART NO.	DESCRIPTION	QTY.	REMARKS	FROM-TO	FIG.
210	267-62302-10	CARBURETOR AY	1	EH41		600
210	266-62302-00	CARBURETOR AY	1	EH36		600
-1	267-62535-08	THROTTLE VALVE	1	EH41		
	266-62535-08	THROTTLE VALVE	1	EH36		600
-2	209-62351-08	SCREW	2			600
-3	267-62525-08	CHOKE VALVE	1			600
-4	237-62451-08	SCREW	2			600
-5	227-62422-08	PILOT JET	1			600
-6	246-62436-08	ADJUSTER	1			600
-7	206-62446-08	SPRING	1			600
-8	267-62520-08	CHOKE LEVER	1			600
-9	239-62560-08	RING, CHOKE	1			600
-11	267-62531-08	THROTTLE SHAFT	1	EH41		600
	266-62531-08	THROTTLE SHAFT	1	EH36		600
-12	150-62358-08	BOLT	1			600
-13	226-62550-08	RING	1			600
-14	224-62312-18	NEEDLE VALVE AY	1			600
-15	214-62515-08	PIN	1			600
-16	234-62552-08	FLOAT CHAMBER BODY	1			600
-17	207-62345-08	PACKING	1			600
-18	206-62540-08	PACKING, CHAMBER	1			600
-19	234-62506-08	FLOAT AY	1			600
-20	267-62440-08	MAIN NOZZLE	1			600
-22	267-62402-08	MAIN JET	1	EH41		600
	246-62403-08	MAIN JET	1	EH36		600
-23	242-62323-08	SCREW	1			600
-24	224-62569-18	CLIP	1			600
-28	224-62452-08	SCREW	1			600
-29	209-62445-08	SPRING	1			600
-32	267-62450-08	RING	1			600
-33	106-62392-18	SEAL	1	i/w 106-62392-08		600
-40	224-62452-08	ADJUST SCREW	1			600
-41	230-62446-08	SPRING	1			600
-44	106-62411-08	AIR JET	1	EH41		600
	266-62410-08	AIR JET	1	EH36		600
-45	246-62410-08	AIR JET	1			600
-61	247-62550-08	CAP	1			600
-62	236-62680-08	SEAL	1			600
-80	246-62551-08	CAP	1			600
-89	246-62425-08	GUIDE HOLDER	1			600
-250	267-62451-08	BRACKET	1			600
-251	267-62452-08	SCREW	1			600
240	246-45006-01	KNOB CP	1			600
250	024-10200-10	GROMMET	1			600

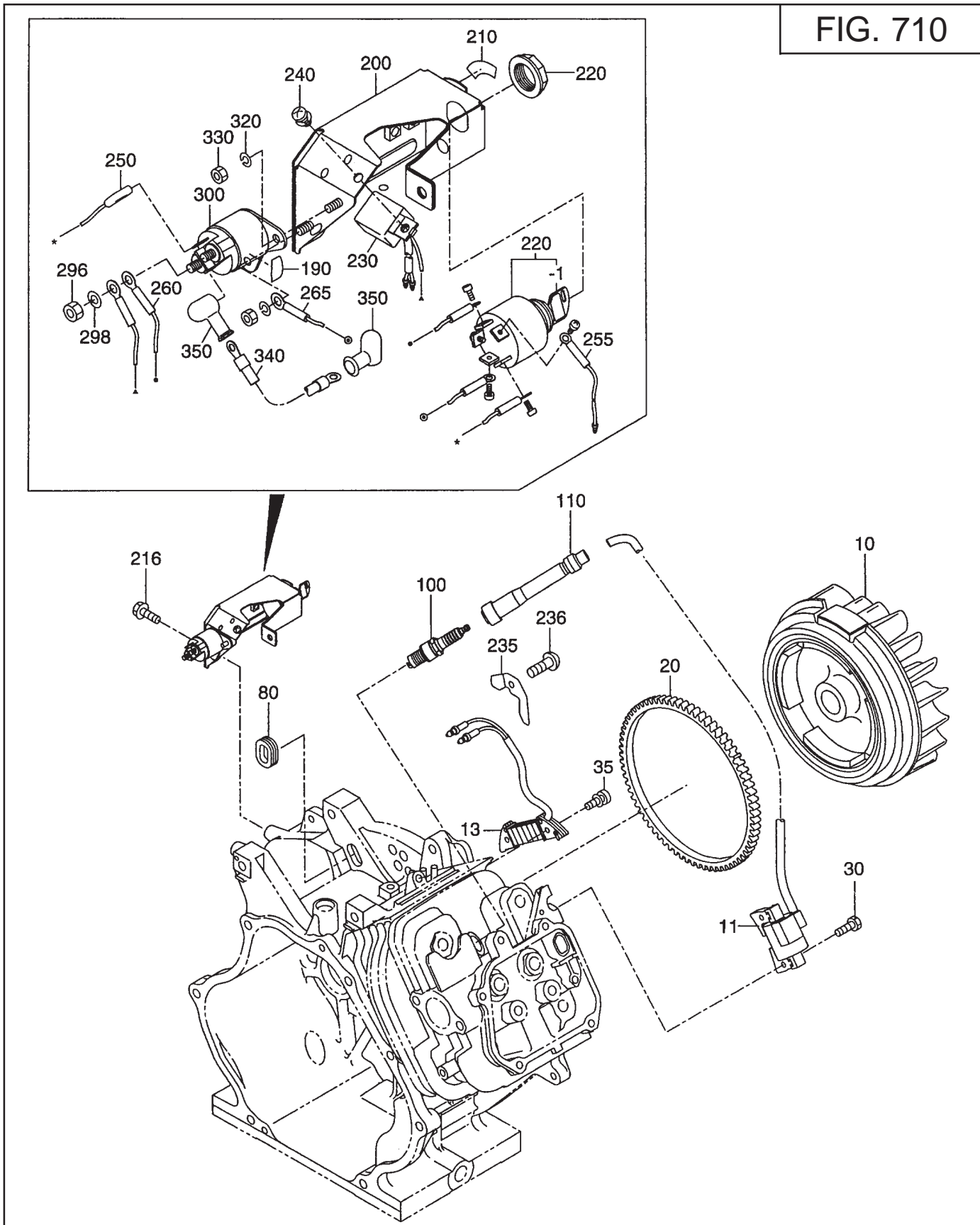
SECTION 7A ELECTRIC DEVICE GROUP - RECOIL START

FIG. 700



SECTION 7B ELECTRIC DEVICE GROUP - ELECTRIC START

FIG. 710

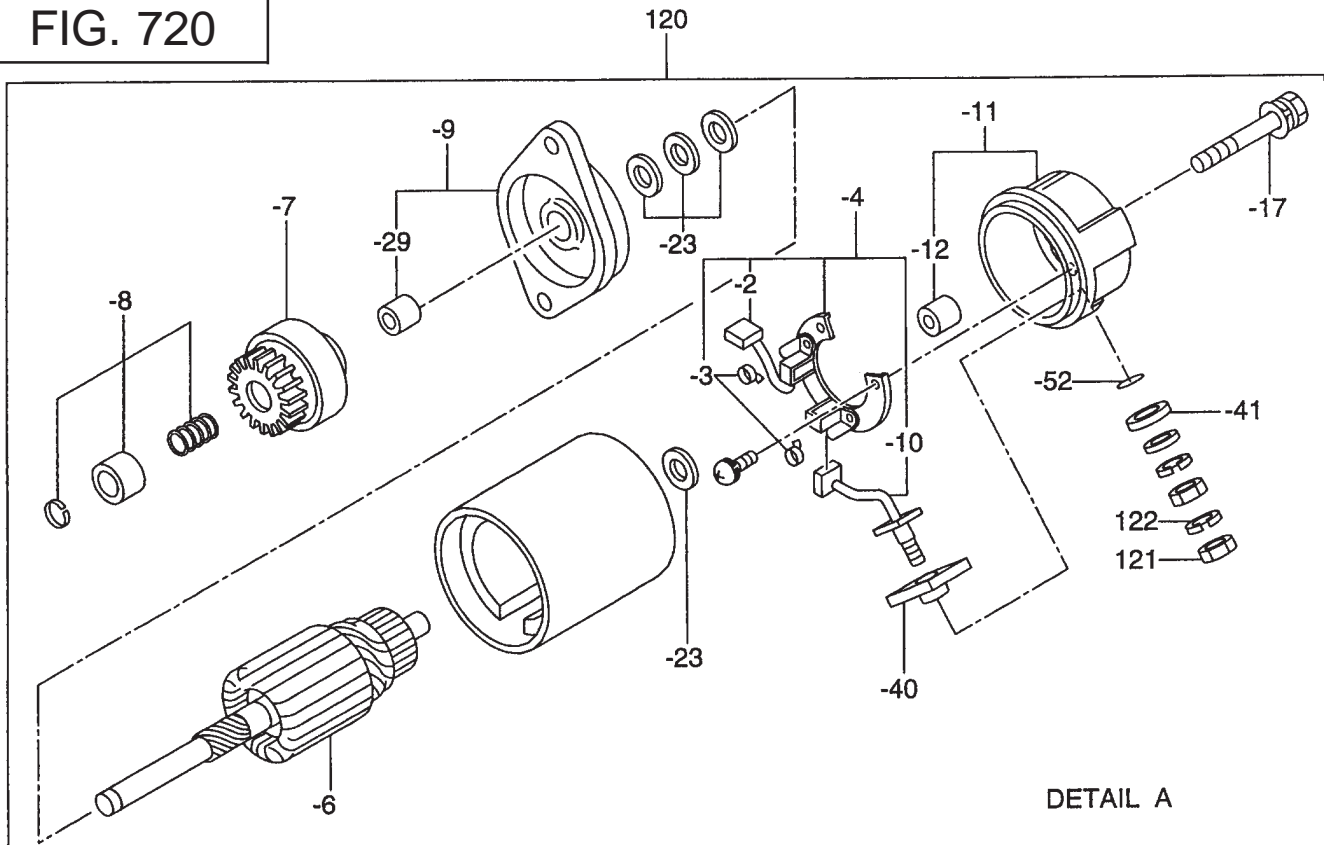


SECTION 7B ELECTRIC DEVICE GROUP - ELECTRIC START

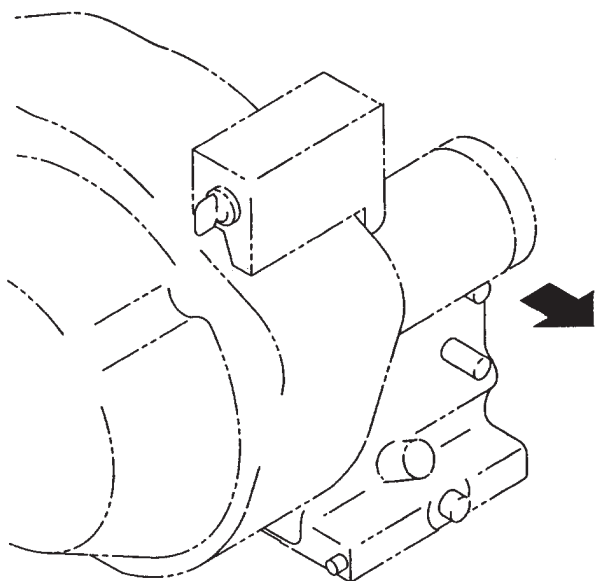
REF.	PART NO.	DESCRIPTION	QTY.	REMARKS	FROM-TO	FIG.
10	267-79202-01	FLYWHEEL CP	1	electric start type		710
11	267-79401-01	IGNITION COIL CP	1			710
13	246-79301-01	CHARGE COIL CP	1			710
20	267-71002-03	RING GEAR	1			710
30	001-14062-50	BOLT AND WASHER AY	2			710
35	004-35062-00	SCREW AND WASHER AY	2			710
80	226-75501-03	GROMMET	1			710
100	X65-01403-00	SPARK PLUG	1	NGK BP6ES		710
	065-01404-80	SPARK PLUG	1	NGK BPR6ES		710
110	065-50002-30	SPARK PLUG CAP	1			710
121	002-27060-00	NUT	1			710
122	003-20060-00	SPRING WASHER	1			710
190	073-20044-80	LABEL, BATTERY	1			710
200	267-75101-01	CONTROL BOX CP	1			710
210	073-20044-60	LABEL, STARTER SWITCH	1			710
216	011-00600-20	FLANGE BOLT	1			710
220	066-00003-30	SWITCH	1			710
-1	066-00098-80	KEY	1			710
230	232-71401-01	DIODE RECTIFIER CP	1			710
235	246-75502-01	CLAMP CP	1			710
236	004-31060-80	SCREW, PANHEAD	1			710
240	004-35061-00	SCREW AND WASHER AY	1			710
250	267-73102-01	WIRE 2 CP	1			710
255	224-73102-01	WIRE 3 CP	1			710
260	232-73105-01	WIRE 5 CP	1			710
265	209-73210-01	WIRE 10 CP	1			710
296	002-27060-00	NUT	2			710
298	003-20060-00	SPRING WASHER	2			710
300	066-10000-10	MAGNETIC SWITCH	1			710
320	003-20050-00	SPRING WASHER	2			710
330	002-17050-00	NUT	2			710
340	224-73201-01	WIRE 20 CP	1			710
350	214-78501-03	WIRE CASING	2			710

SECTION 7C ELECTRIC DEVICE GROUP - ELECTRIC STARTER

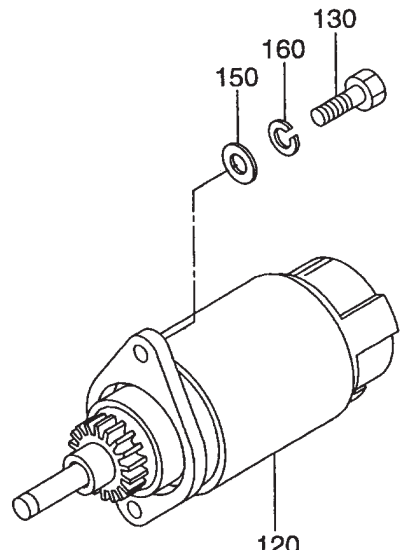
FIG. 720



DETAIL A



TANK SIDE VIEW



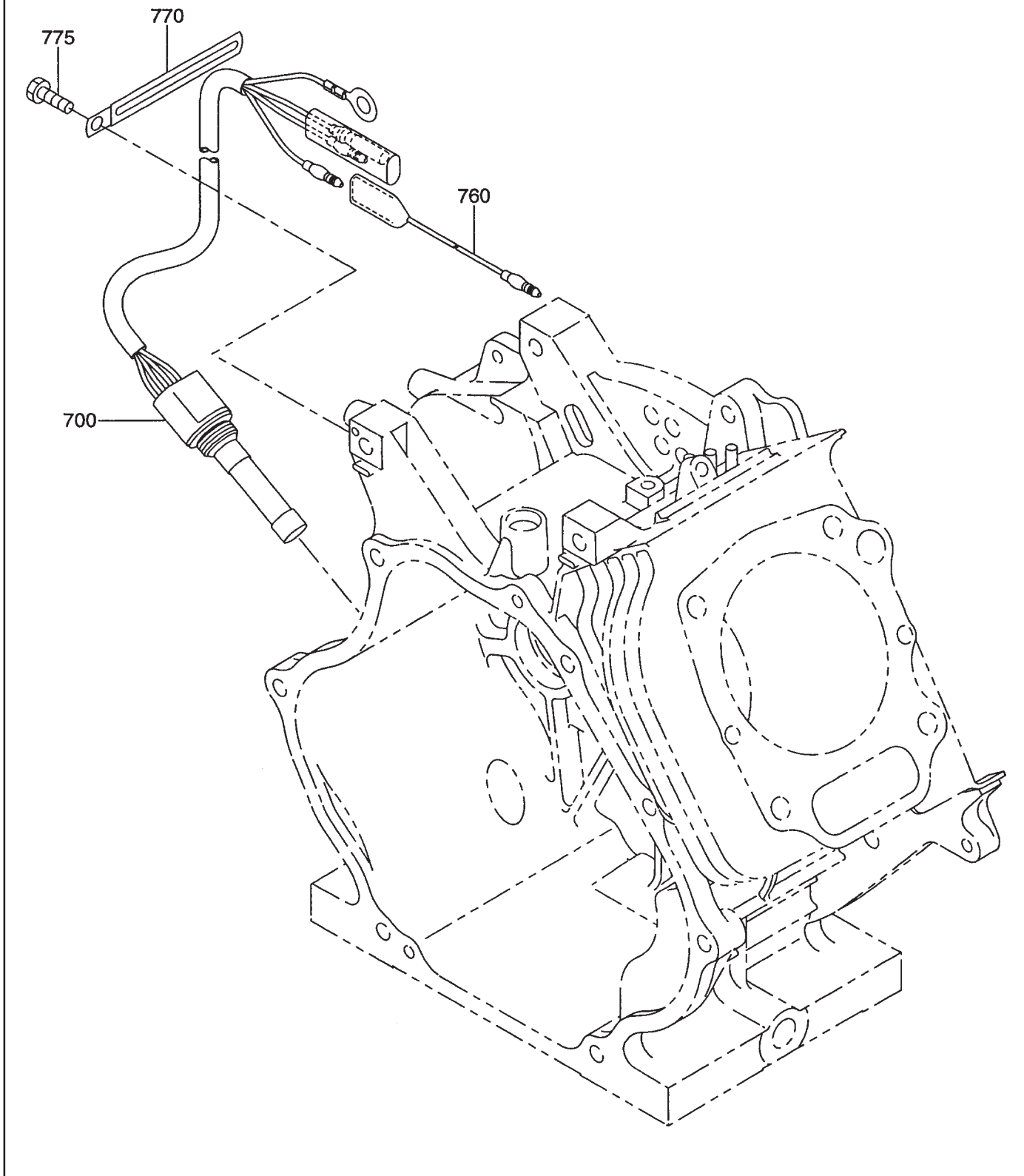
"A"

SECTION 7C ELECTRIC DEVICE GROUP - ELECTRIC STARTER

REF.	PART NO.	DESCRIPTION	QTY.	REMARKS	FROM-TO	FIG.
120	224-70502-00	STARTING MOTOR AY	1			720
-2	235-70535-08	BRUSH	1			720
-3	235-70545-08	SPRING, BRUSH	2			720
-4	235-70530-08	HOLDER AY, BRUSH	1			720
-6	235-70550-08	ARMATURE AY	1			720
-7	224-70551-08	PINION AY	1			720
-8	224-70553-08	PINION STOPPER SET	1			720
-9	246-70500-08	FRONT COVER AY	1			720
-10	235-70540-08	BRUSH (-)	1			720
-11	246-70505-08	REAR COVER AY	1			720
-12	113-70510-08	CASE METAL	1			720
-17	235-70575-08	THROUGH BOLT	2			720
-23	235-70555-08	WASHER KIT	1			720
-29	214-70560-08	FRONT METAL	1			720
-40	235-70565-08	M BUSH 1	1			720
-41	235-70566-08	M BUSH 2	1			720
-52	246-70580-08	O-RING	1			720
130	214-79007-01	BOLT, STARTER	2			720
150	003-10080-00	WASHER	2			720
160	003-20080-00	SPRING WASHER	2			720

SECTION 7D ELECTRIC DEVICE GROUP - OIL SENSOR

FIG. 760



PRINTED IN THE USA