

# **PARTS MANUAL**

**Model**

**EH25-2**

**ENGINE**

PUB-EP5714  
Rev. 7/99

# **Robin America, Inc.**

940 Lively Blvd. • Wood Dale, IL 60191 • Phone: 630-350-8200 • Fax: 630-350-8212  
e-mail: [sales@robinamerica.com](mailto:sales@robinamerica.com) • [www.robinamerica.com](http://www.robinamerica.com)

© Copyright 1999 Robin America, Inc.

## HOW TO USE THIS MANUAL

Robin engines are identified by MODEL, SPECIFICATION, and CODE NUMBER. For each model there may be many different versions called specifications. Each specification will be unique in some way. The difference may only be the paint color or it may have a different type of PTO or some other significant difference.

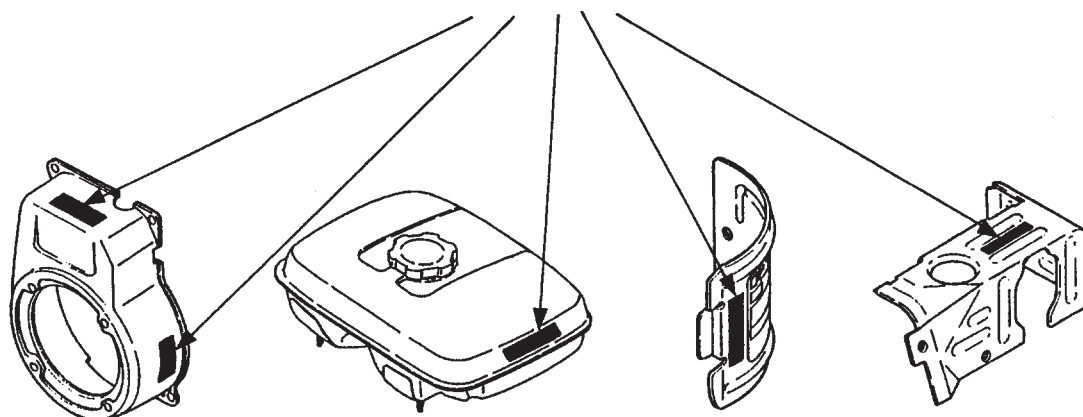
In order to identify the correct service part number, it is important to confirm the specification and code numbers for your engine. The specification and code number together are known as the PRODUCT NUMBER.

All Robin 4 cycle engines have a Product Number label similar to the label illustrated below.

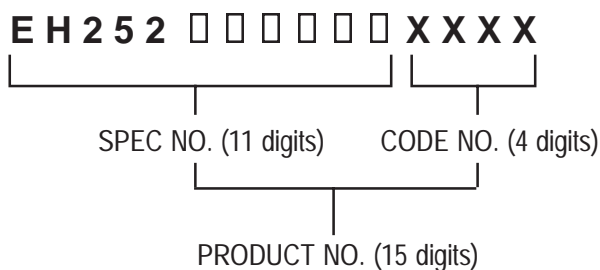
### PRODUCT NUMBER LABEL



### PRODUCT NUMBER LABEL LOCATIONS



The Product Number Label has a 15 digit alphanumeric string that consists of the SPECIFICATION (SPEC) number (11 digits) and the CODE number (4 digits). Please note the illustration below:



# MANUAL LAYOUT

**①** — SECTION 6    **FUEL GROUP**    **④**

**②** — FIG. 600

DETAIL A

**①** — SECTION 6    **FUEL GROUP**    **⑥**    **⑦**    **⑨**    **②**

REF.	PART NO.	DESCRIPTION	QTY	REMARKS	FROM-TO	FIG.
10	267-60103-01	FUEL TANK CP	1	YD, YS TYPE, BLACK	2101-	600
	267-60101-01	FUEL TANK CP	1	YELLOW	-2100	600
27	073-20039-00	LABEL, WARNING	1	YD, YS TYPE		600
30	043-04300-15	FUEL TANK CAP CP	1			600
31	267-95201-03	LABEL, EMISSION	1	YD, YS TYPE		600
40	064-13600-10	FUEL FILTER	1			600
50	064-20021-01	FUEL STRAINER AY	1			600
-1	064-20002-20	FILTER	1			600
-2	064-20002-30	GASKET	1			600
-3	064-20019-10	CUP	1			600
-4	064-20003-20	NUT	1			600

1. SECTION NAME    Parts are broadly classified according to their functions. Refer to the Group Index (table of contents) for respective section name.
2. FIG. No.    The FIG. number indexes the reference and part numbers to the illustration. Figure numbers that vary only in the tens place (i.e.: 700 and 710) are in a group of the same section (i.e.: Electrical Device Group).
3. REF. No.    The Reference number identifies the part illustration with the corresponding part number in the part list.
4. SUBASSEMBLY    SUBASSEMBLY parts of part assembly are listed below the assembly part. The subassembly part reference number is indicated by the number led by "-" such as "-1", "-2".
5. PART NUMBER    It is the number assigned for sales unit. Use the PART No. when making an order.
6. DESCRIPTION    It is designation of the part.
7. QTY.    Quantity of each part used for each product.
8. REMARKS    This gives a distinctive feature and/or a supplementary comment for the type, the specification, and the part concerned. It also shows part number(s) interchangeable for the part.
9. FROM-TO    This section shows the CODE No. to indicate the history of progress in which improved parts have been introduced in the product. The FROM-TO CODE No. helps to identify PART No. being employed in the product concerned. See the examples below:
  - . . . . The part is used in the product irrespective of CODE No.
  - 2101- . . . . The part is used in the products with CODE No. of 2101 and after this number.
  - 2100 . . . . The part is used in the products with CODE No. of 2100 and before this number.

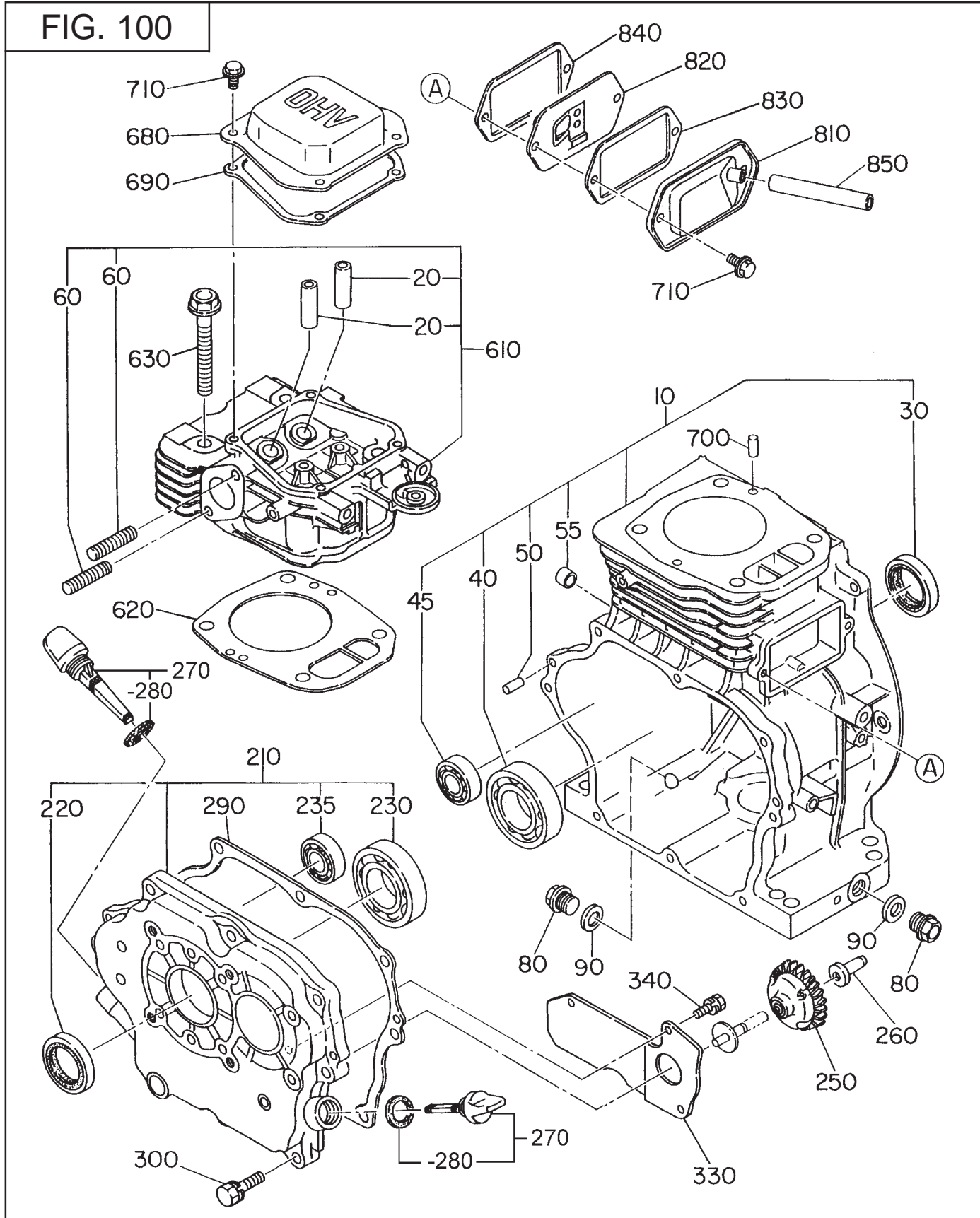
# GROUP INDEX

Group Name	Page
CRANKCASE GROUP .....	6
CRANKSHAFT GROUP .....	8
INTAKE and EXHAUST GROUP .....	10
GOVERNOR GROUP .....	12
COOLING and STARTING GROUP .....	14
FUEL GROUP .....	16
FUEL GROUP - CARBURETOR .....	18
ELECTRIC DEVICE GROUP - RECOIL START .....	20
ELECTRIC DEVICE GROUP - ELECTRIC START .....	22
ELECTRIC DEVICE GROUP - ELECTRIC STARTER .....	24
ELECTRIC DEVICE GROUP - OIL SENSOR .....	26

INDEX OF DESCRIPTION SYMBOLS			
SYMBOL	DESCRIPTION	SYMBOL	DESCRIPTION
AY .....	ASSEMBLY	P= .....	PITCH (in mm)
CP .....	COMPLETE	P.T.O. (PTO) .....	POWER TAKE OFF
EX .....	EXPORT (from Japan)	REF. ....	REFERENCE
FIG. ....	FIGURE	R.H. (RH) .....	RIGHT HAND SIDE
FR. ....	FRONT	RR. ....	REAR
" .....	INCH	STD. ....	STANDARD
INCL. ....	INCLUDE	SW .....	SWITCH
~L .....	LITER	T= .....	THICKNESS (in mm)
L= .....	LENGTH (in. mm)	UN .....	UNIT
L.H. (LH) .....	LEFT-HAND SIDE	U.S. ....	UNDER SIZE
MECH .....	MECHANICAL	~V .....	VOLTAGE
NO (NON) .....	NONE	~W .....	WATT
OPT. ....	OPTIONAL	W/ .....	WITH
O.S. ....	OVER SIZE	W/O .....	WITHOUT

SECTION 1 CRANKCASE GROUP

FIG. 100



## SECTION 1 CRANKCASE GROUP

REF.	PART NO.	DESCRIPTION	QTY.	REMARKS	FROM-TO	FIG.
10	254-10101-31	CRANKCASE CP	1			100
	254-10102-31	CRANKCASE CP	1	electric start type		100
20	132-12AA0-80	VALVE GUIDE	2	STD.		100
30	044-03000-30	OIL SEAL	1	30 x 45 x 8		100
40	060-03000-20	BALL BEARING	1	BB-6206C3 060-03002-20		100
45	060-01500-10	BALL BEARING	1	BB-6202C3		100
50	031-00600-20	DOWEL PIN	2			100
55	142-55601-03	PIPE	2	electric start type		100
60	010-50802-90	STUD	2			100
80	040-11400-30	PLUG	2			100
90	021-11400-20	GASKET	2			100
210	254-11003-01	MAIN BEARING COVER CP	1	metric		100
220	044-03000-30	OIL SEAL	1	30 x 45 x 8		100
230	060-03000-20	BALL BEARING	1	BB-6206C3 060-03002-20		100
235	060-01500-10	BALL BEARING	1	D,DS type BB-6202C3		100
	060-02800-10	BALL BEARING	1	BB-62/28C3		100
250	234-45001-01	GOVERNOR GEAR CP	1			100
260	205-41901-03	GOVERNOR SLEEVE	1			100
270	227-63601-07	OIL GAUGE AY	2			100
	227-63601-07	OIL GAUGE AY	1	w/ OIL SENSOR		100
-280	021-31600-20	GASKET	2			100
	021-31600-20	GASKET	1	w/ OIL SENSOR		100
290	254-16001-03	GASKET, BEARING COVER	1			100
300	001-13083-00	BOLT AND WASHER AY	8			100
330	254-17502-13	OIL SHELTER (SENSOR)	1	w/ OIL SENSOR		100
340	004-35051-00	SCREW AND WASHER AY	3	w/ OIL SENSOR		100
610	270-13001-01	CYLINDER HEAD CP	1			100
620	254-15001-13	GASKET, HEAD	1			100
630	011-01000-40	FLANGE BOLT	4			100
680	270-15503-03	ROCKER COVER	1			100
690	270-16004-03	GASKET, ROCKER COVER	1			100
700	031-00600-20	DOWEL PIN	2			100
710	011-00600-20	FLANGE BOLT	6			100
810	254-14301-01	BREATHER COVER CP	1			100
820	254-14401-11	BREATHER PLATE CP	1			100
830	246-16006-03	GASKET, BREATHER COVER	1			100
840	246-16007-13	GASKET, BREATHER PLATE	1			100
850	085-10800-00	RUBBER PIPE	1	8 x 11 x 60		100
	085-10800-00	RUBBER PIPE	1	CYCLONE type 8 x 11 x 75		100
960	254-99001-07	GASKET SET	1			100

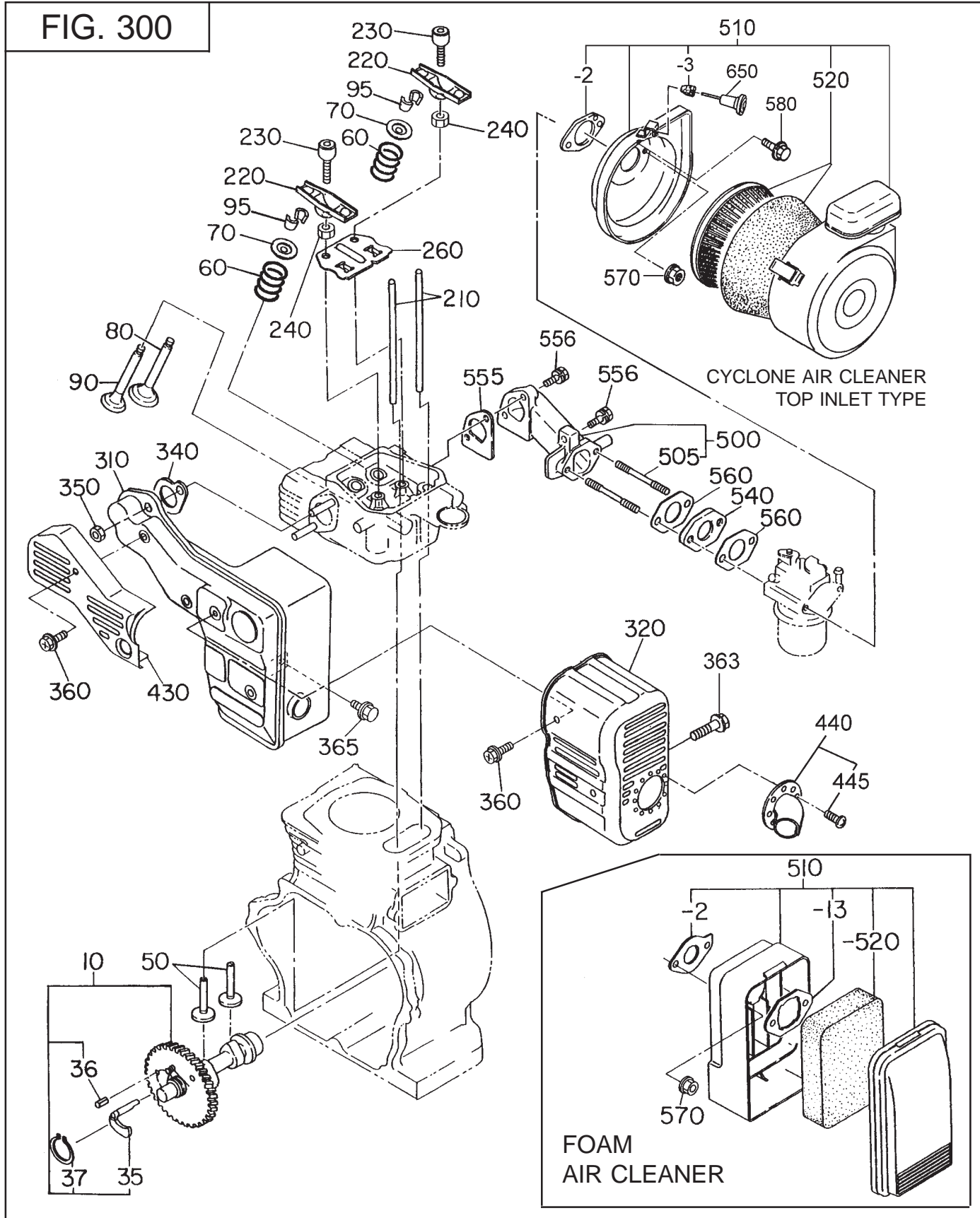






**SECTION 3 INTAKE and EXHAUST GROUP**

**FIG. 300**



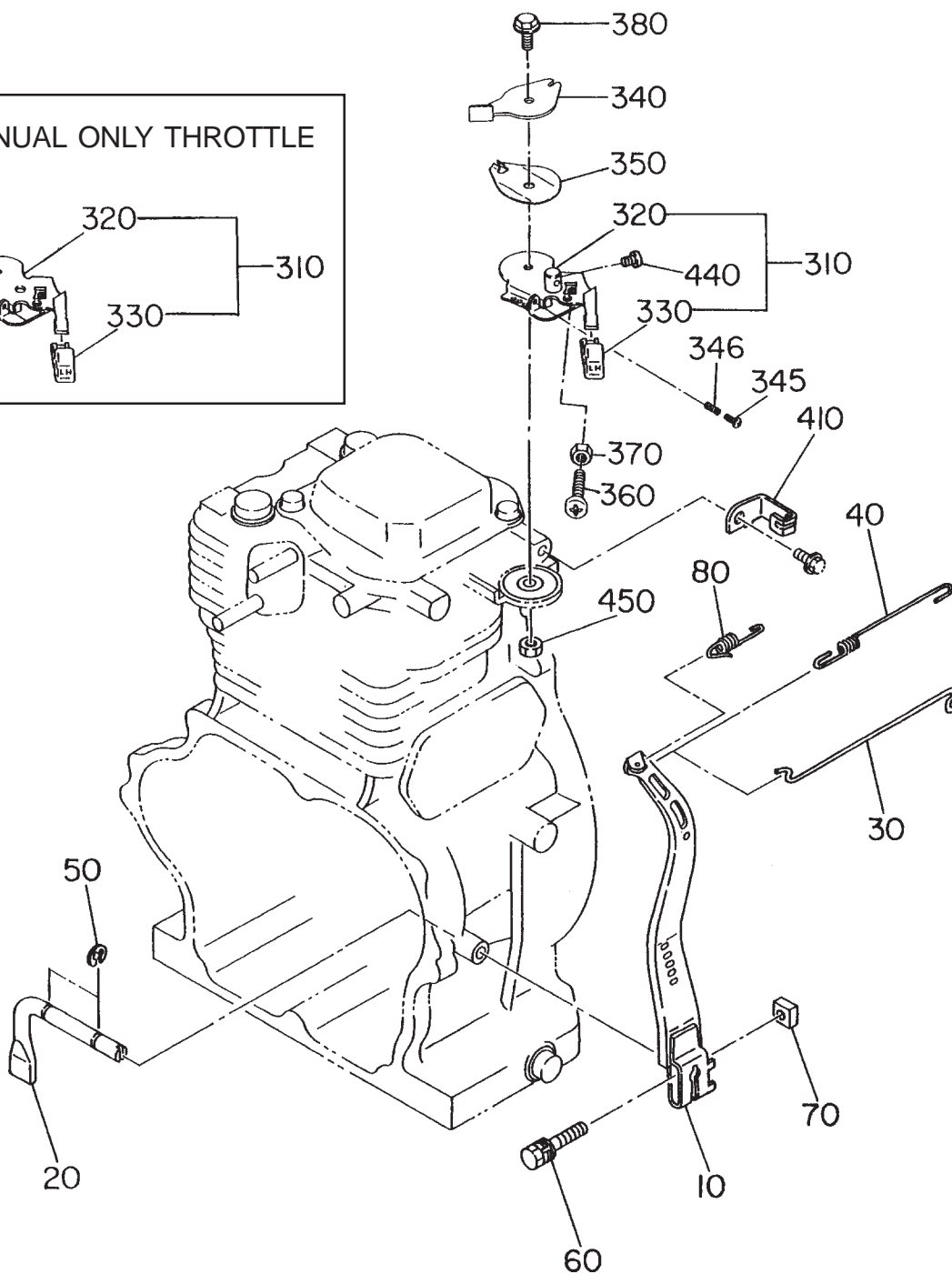
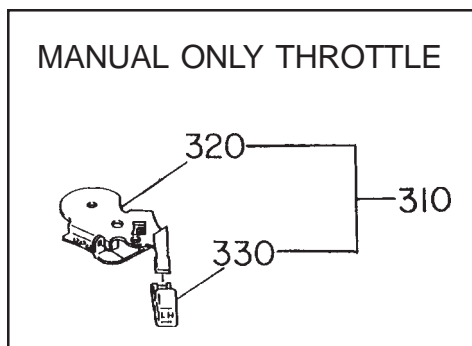
### SECTION 3 INTAKE and EXHAUST GROUP

REF.	PART NO.	DESCRIPTION	QTY.	REMARKS	FROM-TO	FIG.
10	254-31701-41	CAMSHAFT CP	1			300
35	254-36401-13	RELEASE LEVER	1			300
36	005-19041-00	SPRING PIN	1			300
37	003-15220-00	SNAP RING	1			300
50	239-33301-13	TAPPET	2			300
60	246-33611-03	VALVE SPRING	2			300
70	246-33711-03	SPRING RETAINER	2			300
80	270-33401-03	INTAKE VALVE	1			300
90	270-33501-03	EXHAUST VALVE	1			300
95	246-35501-03	COLLET VALVE	4			300
210	270-35301-03	PUSH ROD	2			300
220	261-36001-A3	ROCKER ARM	2			300
230	269-35801-03	BOLT, PIVOT	2			300
240	017-00600-90	NUT	2			300
260	270-36501-03	GUIDE PLATE	1			300
310	270-30101-01	MUFFLER CP	1			300
320	254-34201-11	MUFFLER COVER	1			300
340	246-35201-03	GASKET, MUFFLER	1			300
350	017-00800-30	NUT	2			300
360	015-20060-90	TAPPING BOLT	4			300
363	015-20601-00	TAPPING BOLT	1			300
365	001-10081-60	BOLT AND WASHER AY	1			300
430	270-34801-03	EXHAUST PIPE COVER	1			300
440	246-37001-07	DEFLECTOR AY	1			300
445	015-00400-60	TAPPING SCREW	3			300
500	254-33001-01	INTAKE PIPE CP	1			300
505	010-50601-91	STUD	2			300
510	254-32613-10	AIR CLEANER AY	1	CYCLONE, top inlet type		300
-2	234-36003-08	PACKING	1	CYCLONE, top inlet type		300
-3	207-32690-08	GROMMET	1	CYCLONE, top inlet type		300
510	270-32601-00	AIR CLEANER AY	1	FOAM AIR CLEANER type		300
-2	234-36003-08	PACKING	1	FOAM AIR CLEANER type		300
-13	270-32650-08	PLATE	1	FOAM AIR CLEANER type		300
-520	270-32610-08	CLEANER ELEMENT	1	FOAM AIR CLEANER type		300
520	234-32604-07	ELEMENT SET	1	CYCLONE type		300
540	234-32901-03	INSULATOR	1			300
555	246-36001-13	GASKET, INTAKE PIPE	1			300
556	001-13082-80	BOLT AND WASHER AY	3			300
560	234-35902-03	GASKET 2, INSULATOR	2			300
570	226-39212-00	NUT AND WASHER AY	2	CYCLONE, top inlet type		300
	002-38060-00	FLANGE NUT	2	FOAM AIR CLEANER type		300
580	001-10061-20	BOLT AND WASHER AY	2	CYCLONE, top inlet type		300
650	230-43901-01	CHOKE KNOB	1	CYCLONE, top inlet type		300

SECTION 4 GOVERNOR GROUP

FIG. 400

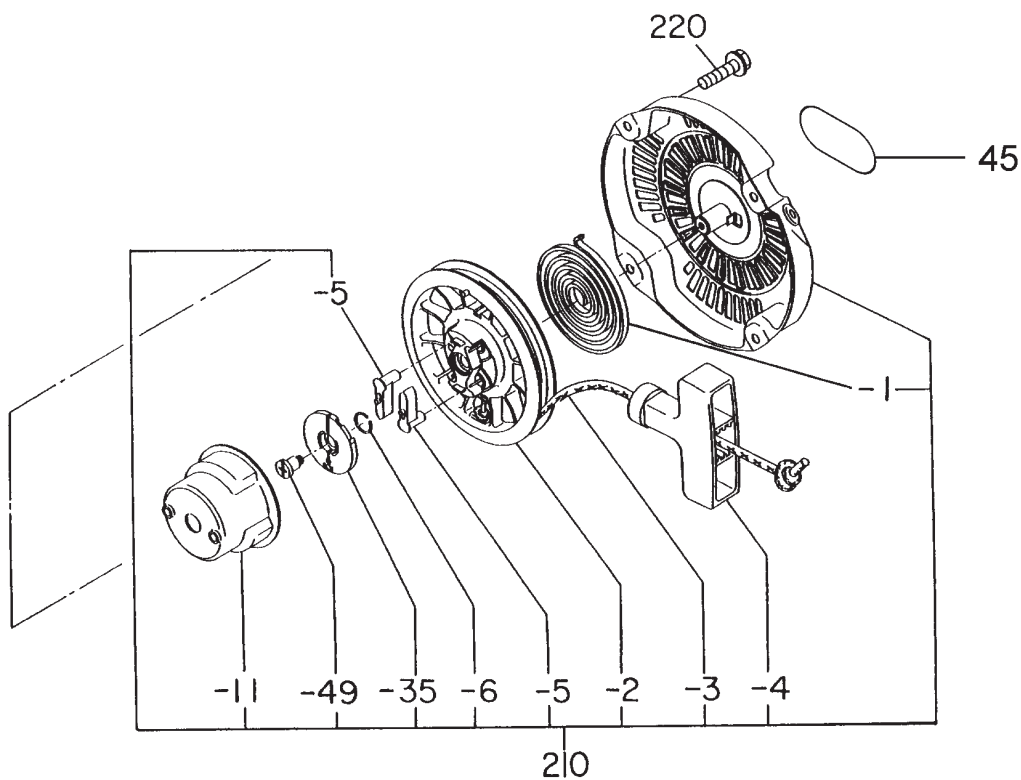
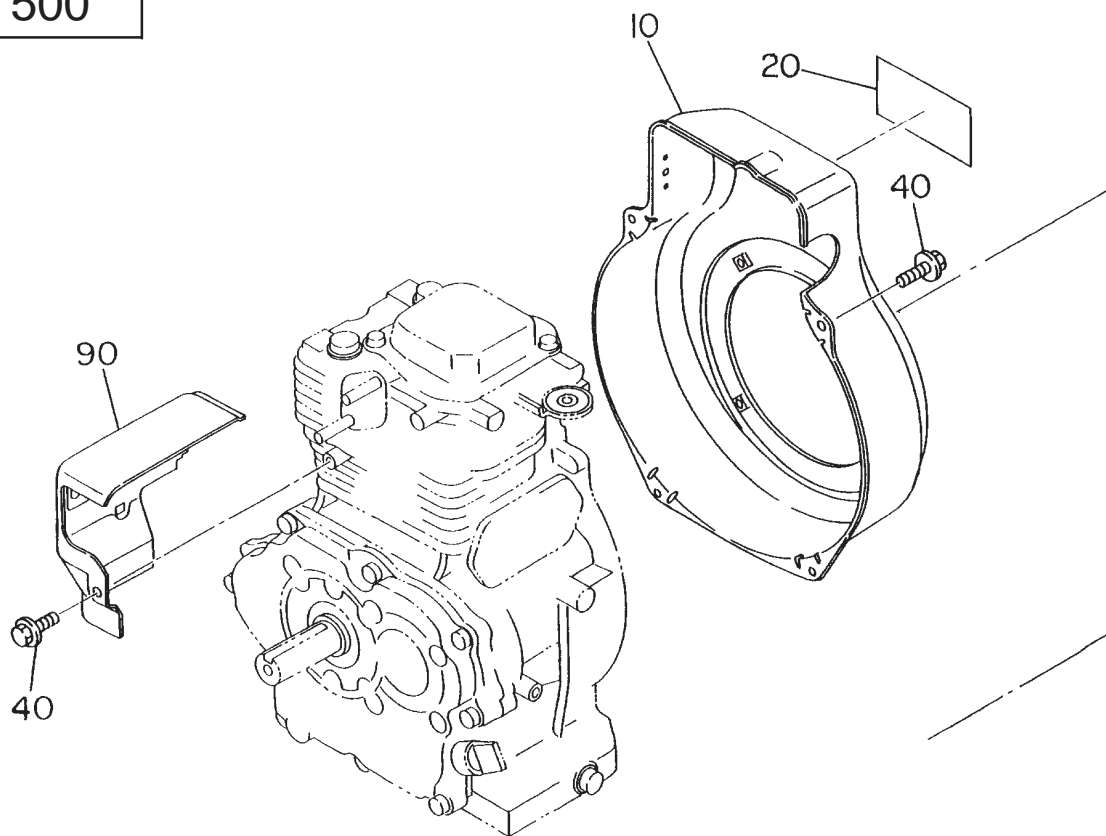
MANUAL THROTTLE CONTROL with REMOTE CABLE OPTION





SECTION 5 COOLING and STARTING GROUP

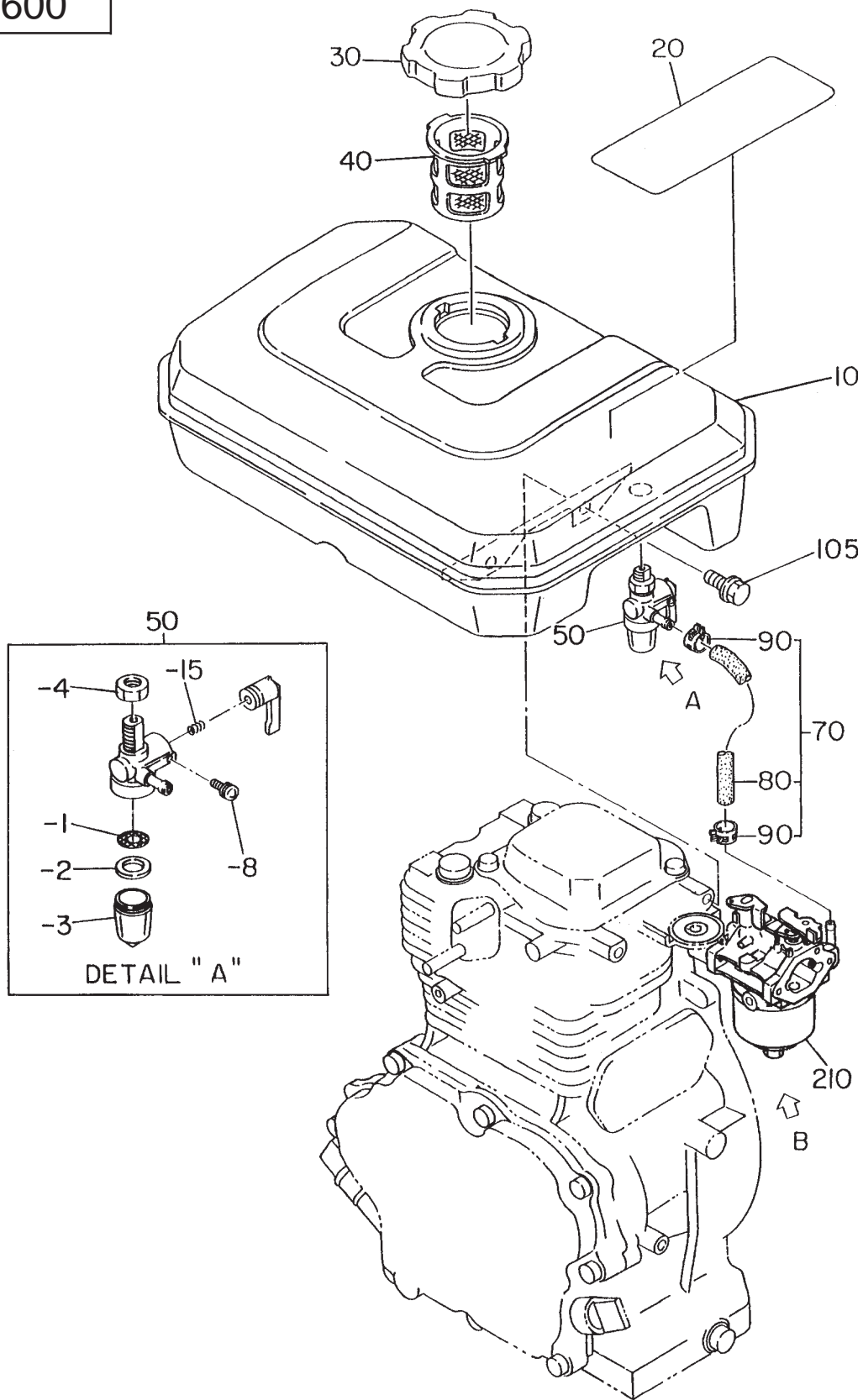
FIG. 500





SECTION 6 FUEL GROUP

FIG. 600





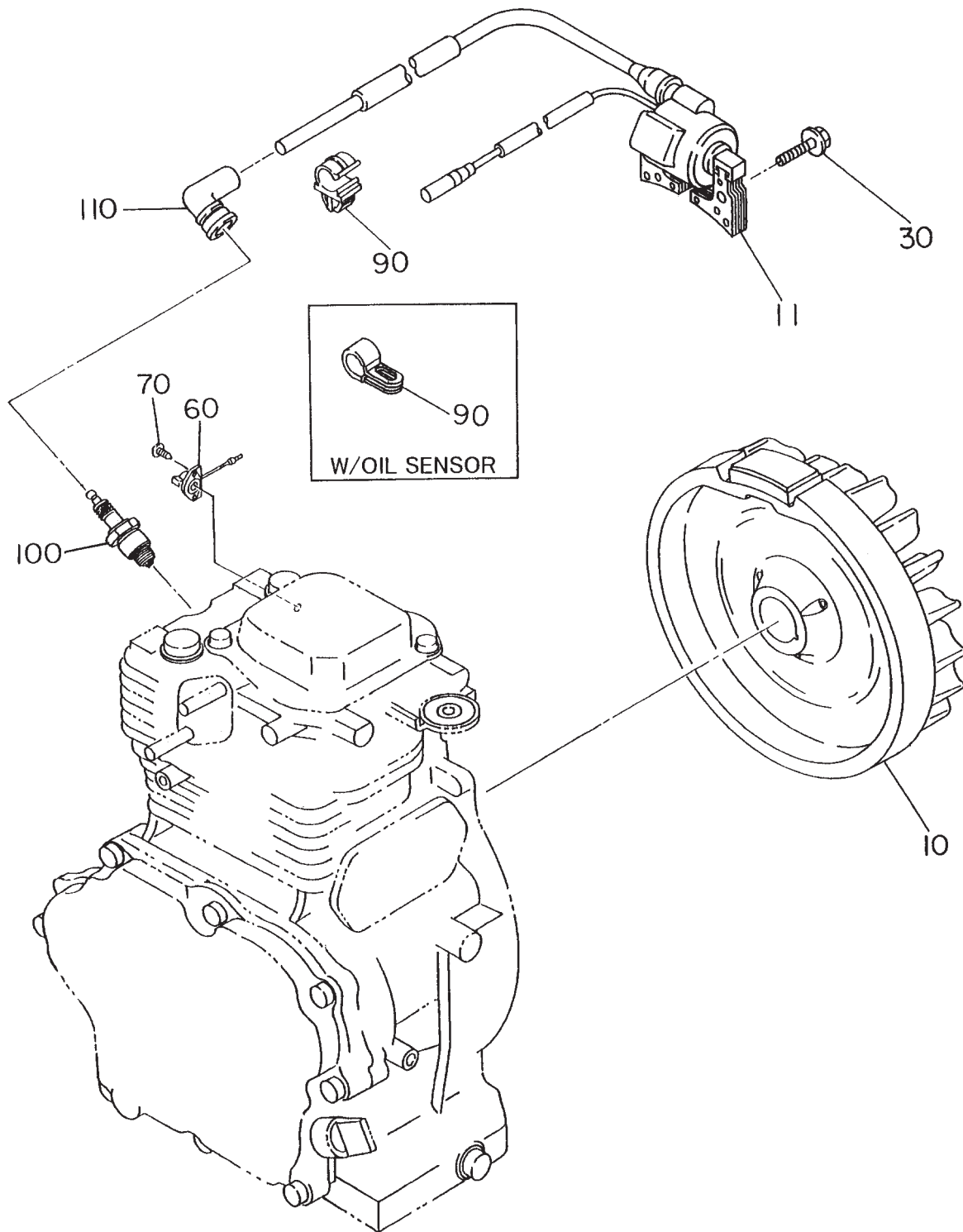






SECTION 7A ELECTRIC DEVICE GROUP - RECOIL START

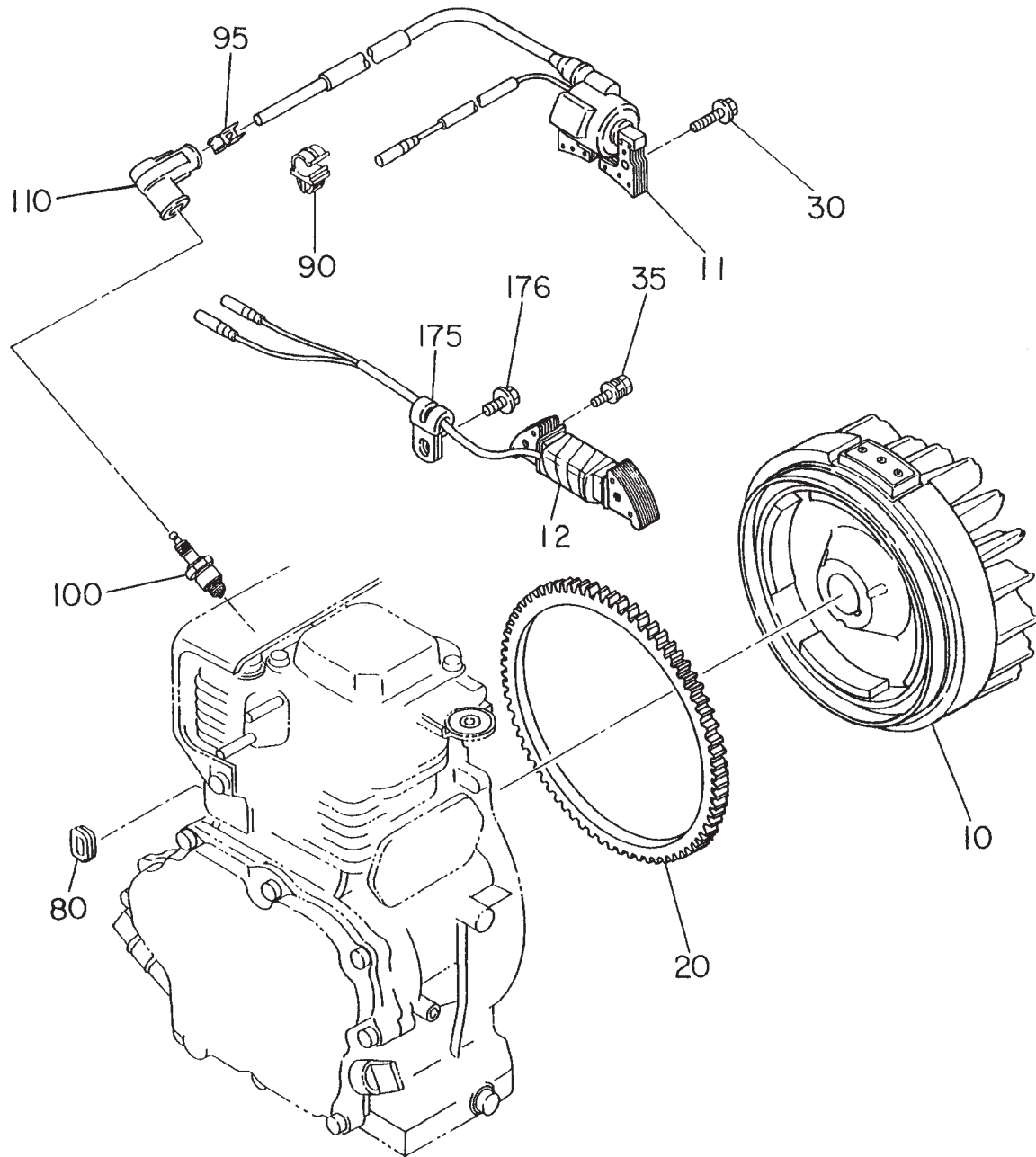
FIG. 700





SECTION 7B ELECTRIC DEVICE GROUP - ELECTRIC START

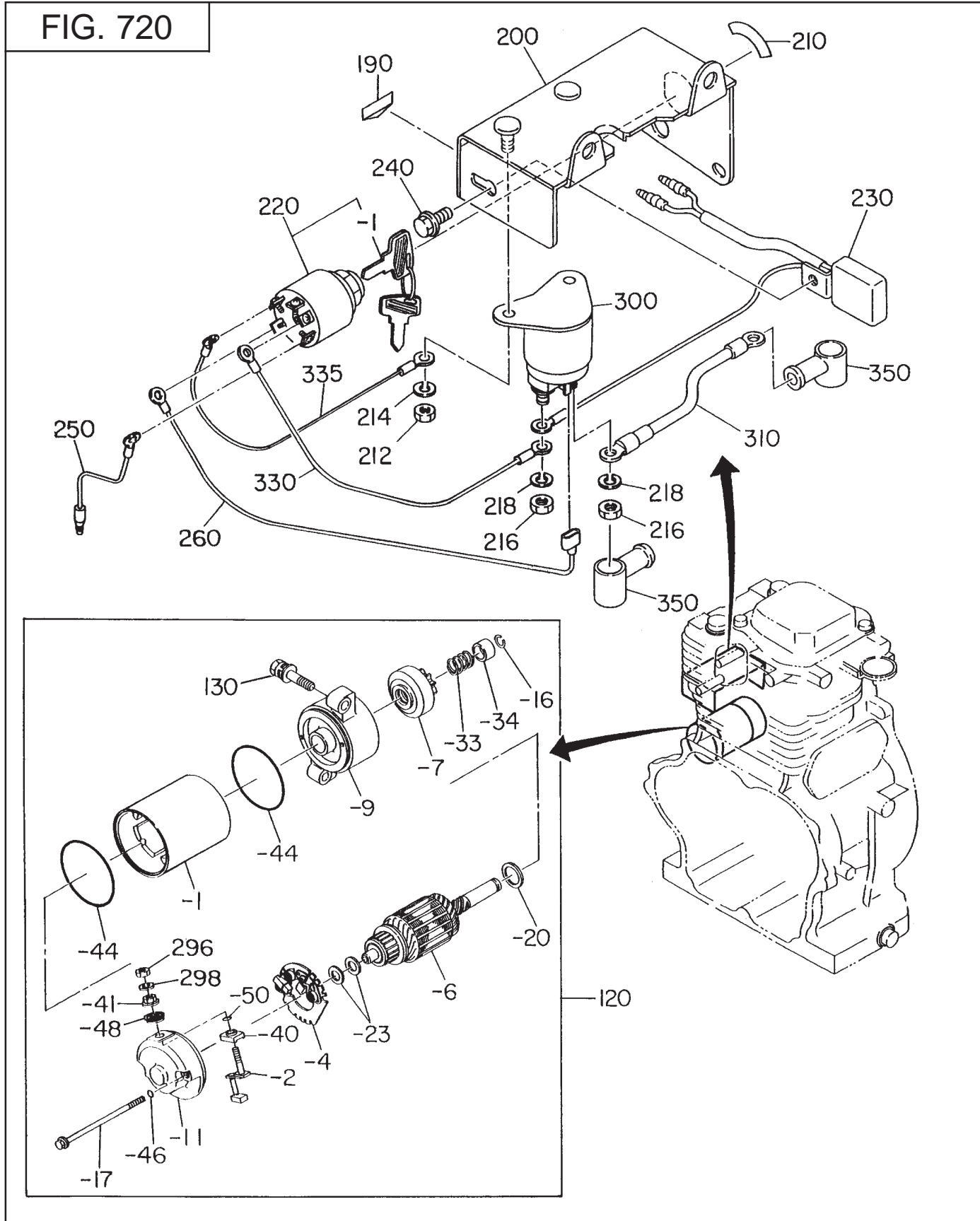
FIG. 710





SECTION 7C ELECTRIC DEVICE GROUP - ELECTRIC STARTER

FIG. 720

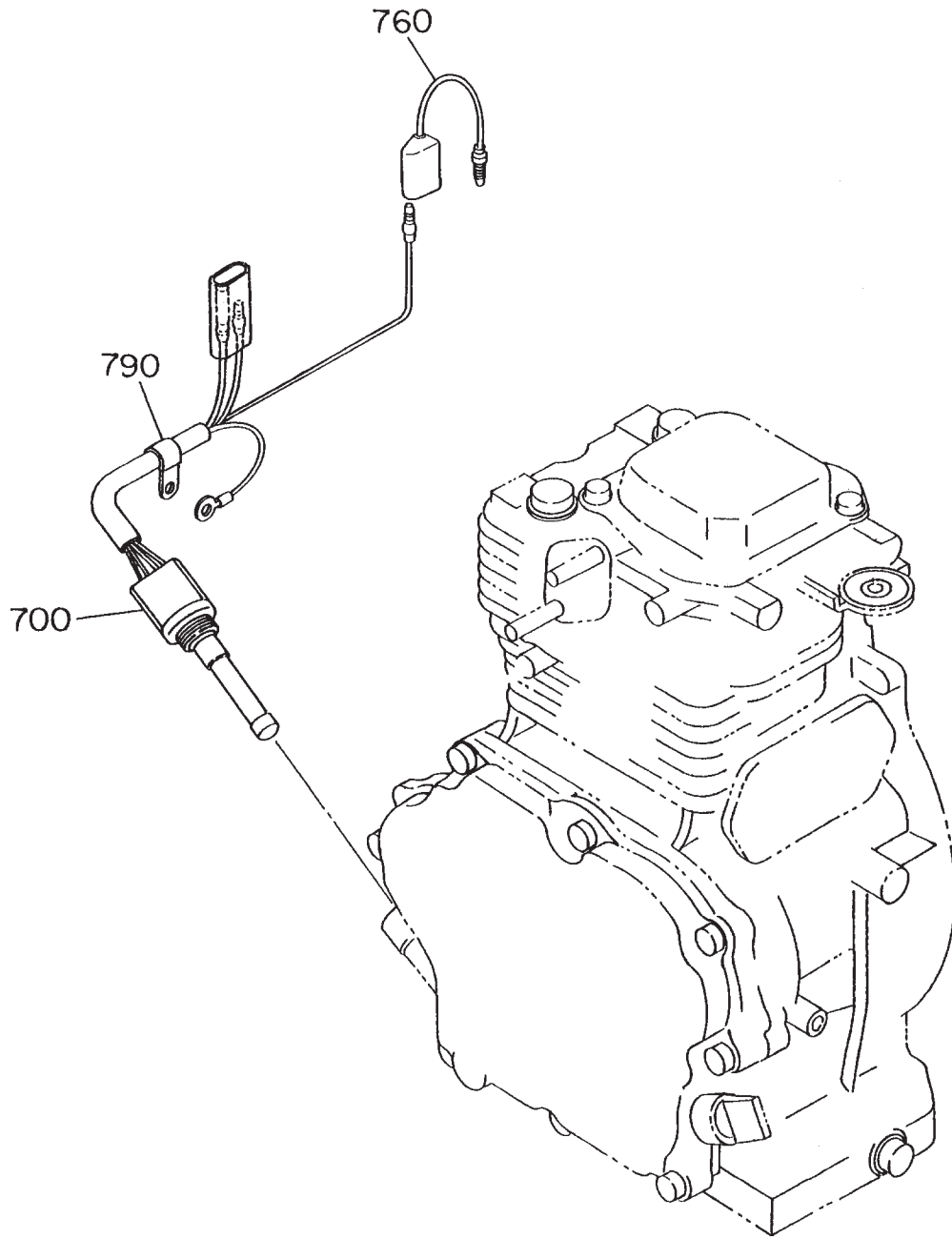






SECTION 7D ELECTRIC DEVICE GROUP - OIL SENSOR

FIG. 760





PRINTED IN THE USA