



RIDING SULKY OPERATOR'S MANUAL

SECTION 1

NOTE

Read this manual carefully and learn to operate and service your sulky before using it.

To keep the warranty, the sulky must be maintained and operated as directed in this manual.

All references to "left-side", "right-side", "front", and "back" are given from the operator's position.

Use the serial numbers to ensure prompt and correct service when ordering parts, requesting service or making inquiries.

SERIAL NUMBER: _____



Look for this symbol to point out important safety precautions. It means -- ATTENTION! BECOME ALERT! YOUR SAFETY IS INVOLVED.

This product has been tested in accordance with ANSI B71.4.

Read this manual carefully and learn to operate and service your unit before using it.

CONTENTS

To keep the warranty, the unit must be maintained and operated as directed in this manual.

1. INSTRUCTIONS FOR SAFE OPERATION
 2. OPERATING INSTRUCTIONS
 3. SERVICE INSTRUCTIONS
 4. ILLUSTRATED PARTS AND PARTS LIST
 5. SET-UP INSTRUCTIONS
 6. WARRANTY
- Look for this symbol in places where important safety precautions. If these conditions occur, YOUR SAFETY IS INVOLVED.
- This product has been tested in accordance with ANSI B71.1.

SECTION 1

Instructions for Safe Operation

Improper use of this equipment can injure people and damage the equipment. People using or servicing this equipment must read and follow the instructions in this manual.

It is important to understand that this manual and any other Gravely instruction manuals do not cover every possible danger. It is impossible for Gravely to know all possible dangers in operating and servicing the equipment.

The purchaser must give these instructions to the people operating and maintaining this equipment. These people must use eye and foot protection.

1.1 Preparation:

1. Read this manual and the tractor manual carefully.
2. Learn the location and function of all controls.
3. Learn how to use the controls to stop the tractor and attachment quickly.
4. Use caution with gasoline. Gasoline is very flammable. Keep it in a clean and tight container away from flames or hot items. Never put gasoline in the fuel tank while the engine is running or hot. Clean up spilled gasoline before starting engine.
5. Be certain that all shields, guards, and interlock switches are in the correct positions.
6. Never permit children to operate the equipment.
7. Inspect area to be mowed and remove all material which could be thrown by the mower.
8. Before starting the engine, put the PTO control lever in the "OFF" position and the gear shift lever in the neutral "N" position.
9. When hauling the equipment, connect the chassis to the transporting vehicle. Never connect from control levers, rods, or like items that could be damaged.
10. Replace all parts that become damaged or lost.

1.2 Operation:

1. Wear foot and eye protection. Do not wear loose clothing.
2. Do not use the equipment in the dark without adequate lighting.
3. Keep the equipment in good condition. Maintain it as directed in this manual.
4. USE ONLY GRAVELY ACCESSORIES AND ATTACHMENTS.
5. Do not overspeed the engine. Do not override the governor.
6. Keep away from moving parts.
7. Keep people and animals away from the operating area.
8. Do not let people other than the operator near the operating equipment.
9. Do not use sulky on slopes or rough terrain.
10. Look for and keep away from hazards.
11. After hitting an object, stop the equipment and engine. Check for damage. Repair any damage before operating.
12. Look behind when operating in reverse. Look for people and hazards.
13. Operate only from the operator's position, seated on the sulky with hookup only to a two-wheel tractor.
14. Use standard sulky hookup only to connect the sulky.
15. If there is a sudden change in the sound or vibration of the equipment, stop the engine and check for damage. Repair any damage or failure before continuing operation.
16. Never run the engine indoors except to move it outside. Exhaust fumes are dangerous.
17. Go slowly on slick surfaces.
18. Follow traffic laws when operating on or near a road.
19. Before making adjustments or servicing, move the PTO to "OFF," turn the ignition switch to "OFF," and wait until all moving parts completely stop.
20. Before leaving the operator's position, put the PTO lever in the "OFF" position, turn the ignition key to the "OFF" position.

Operating Instructions

SECTION 2

Operating Instructions

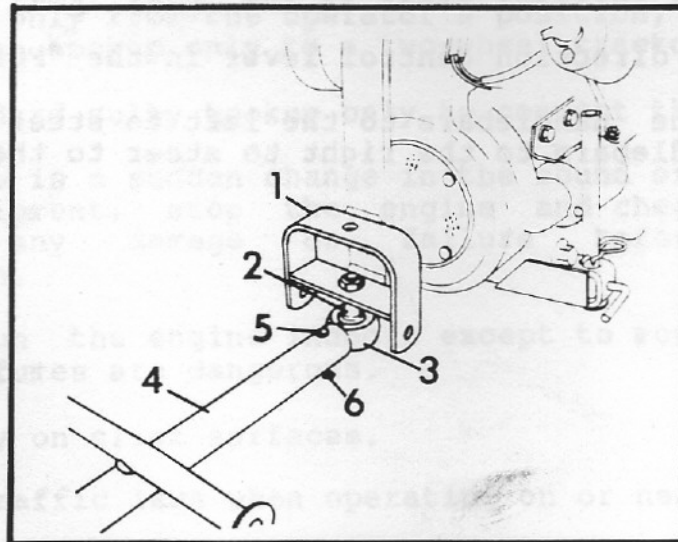
Read this manual and the tractor manual carefully before operating the equipment.

- 2.1 Start the engine. Wait until the engine is running smoothly.
- 2.2 Engage the attachments.
- 2.3 Move the throttle lever to the "FAST" position.
- 2.4 Put the direction control lever in the "FORWARD" position.
- 2.5 Push the handlebars to the left to steer to the right. Push the handlebars to the right to steer to the left.

SECTION 3

Service Instructions

- 3.1 Inspect the sulky daily for damage, loose or missing hardware. Correct any fault before operating.
- 3.2 Maintain tire pressure between 10psi (69 kN/π2) to 12 psi (83 kN/π2).
- 3.3 Apply multi-purpose grease to the lubrication fittings in the wheels about every 8 hours of operation.
- 3.4 Installation and Removal:
 1. The trailing hitch kit is required to connect the riding sulky to the two-wheel tractor. Install the ball stud on the hitch weldment of the tractor with the two 5/8-18 hex jar nuts.
 2. Put the split sockets around the ball stud and slide the shaft of the sulky chassis assembly over the split sockets. See Figure 1.
 3. Fasten the sulky chassis assembly to the split sockets with the draw bar pin and hair pin cotter.
 4. To remove the sulky reverse steps 2 and 3 above.

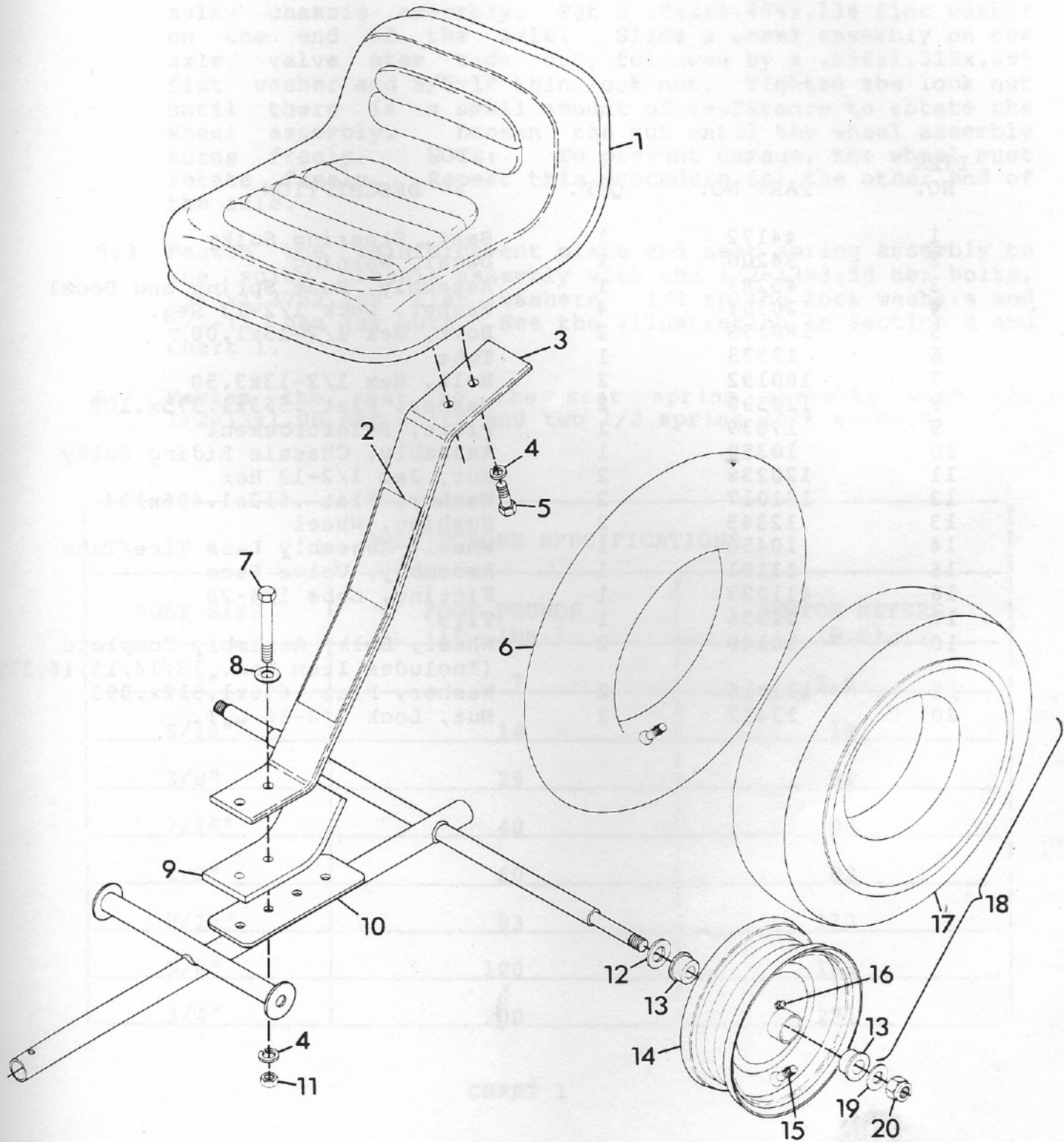


- | | |
|--------------------|---------------------|
| 1 - Hitch Weldment | 4 - Shaft |
| 2 - Ball Stud | 5 - Draw Bar Pin |
| 3 - Split Socket | 6 - Hair Pin Cotter |

FIGURE 1

SECTION 4

Illustrated Parts and Parts List



| ITEM NO. | PART NO. | QTY. | DESCRIPTION |
|----------|----------|------|---|
| 1 | 44172 | 1 | Seat, Steering Sulky |
| 2 | 34200 | 1 | Decal, Warning |
| 3 | 43283 | 1 | Assembly, Seat Spring and Decal |
| 4 | 120384 | 4 | Washer, Lock 1/2-13 Reg. |
| 5 | 180173 | 2 | Bolt, Hex 1/2-13x1.00 |
| 6 | 13573 | 1 | Tube |
| 7 | 180192 | 2 | Bolt, Hex 1/2-13x3.50 |
| 8 | 120390 | 2 | Washer, Flat .563x1.375x.109 |
| 9 | 17839 | 1 | Plate, Reinforcement |
| 10 | 10359 | 1 | Assembly, Chassis Riding Sulky |
| 11 | 120238 | 2 | Nut, Jam 1/2-13 Hex |
| 12 | 131017 | 2 | Washer, Flat .812x1.496x134 |
| 13 | 12345 | 2 | Bushing, Wheel |
| 14 | 10450 | 1 | Wheel, Assembly Less Tire/Tube |
| 15 | 11191 | 1 | Assembly, Valve Stem |
| 16 | 411027 | 1 | Fitting, Lube 1/4-28 |
| 17 | 12356 | 1 | Tire |
| 18 | 10140 | 2 | Wheel, Sulky Assembly Complete (Includes Item Nos. 13,14,15,16,17) |
| 19 | 131016 | 2 | Washer, Flat .656x1.312x.095 |
| 20 | 13412 | 2 | Nut, Lock 5/8-18 L.T. |

SECTION 5

Set-Up Instructions

- 5.1 Remove sulky from shipping container.
- 5.2 Apply multi-purpose grease to one end of the axle on the sulky chassis assembly. Put a .812x1.496x.134 flat washer on the end of the axle. Slide a wheel assembly on the axle, valve stem side out, followed by a .656x1.312x.095 flat washer and 5/8-18 thin lock nut. Tighten the lock nut until there is a small amount of resistance to rotate the wheel assembly. Loosen the nut until the wheel assembly turns freely. NOTE: To prevent damage, the wheel must rotate freely. Repeat this procedure for the other end of the axle.
- 5.3 Fasten the reinforcement plate and seat spring assembly to the sulky chassis assembly with the 1/2-13x3.50 hex bolts, .563x1.375x.109 flat washers, 1/2 spring lock washers and 1/2-13 hex jar nuts. See the illustration in Section 4 and Chart 1.
- 5.4 Fasten the seat to the seat spring assembly with the 1/2-13x1.00 hex bolts and two 1/2 spring lock washers.

| BOLT TORQUE SPECIFICATIONS | | |
|----------------------------|---------------------------|------------------------|
| BOLT SIZE | FOOT POUNDS (ft. lbs.) | NEWTON METERS (N.m) |
| 1/4" | 7 | 9.5 |
| 5/16" | 14 | 19 |
| 3/8" | 25 | 34 |
| 7/16" | 40 | 54 |
| 1/2" | 60 | 82 |
| 9/16" | 83 | 113 |
| 5/8" | 120 | 163 |
| 3/4" | 200 | 271 |

CHART 1

SECTION 6

LIMITED FIVE-YEAR WARRANTY

1. This Limited Five-Year Warranty is issued by Gravely International, Inc., only to the original purchaser. If Gravely equipment is leased by Gravely, this Warranty shall extend also to the original lessee as if such lessee were the original purchaser.
2. Gravely warrants that all new equipment manufactured by Gravely ("Gravely Products") shall be free of defects in material and workmanship for the term described in paragraph 4, below. Except as hereinafter provided, this Warranty does not cover any engine, tires or battery forming a part of the Gravely Product. Engine and tires are covered by and subject to separate warranties of the manufacturers thereof.
3. In the event that any Gravely Product warranted hereunder shall be defective or fail to conform with this Warranty, Gravely shall, subject to the provisions hereof, pay for, or provide labor and materials for, the repair or replacement of such defective Gravely Product.
4. This Warranty is for five years (60 months) from purchase date for Gravely Products used exclusively for personal, family or household purposes, and two years (24 months) for products used for other purposes (commercial use), excluding rental firms. Gravely products used for rental purposes will be warranted for 90 days. Repair of Gravely Products after the second year (24 months from date of purchase) shall be subject to a \$50.00 deductible for each repair. (After two years, Gravely agrees to repair or replace defective Gravely Products used exclusively for personal, family or household purposes only to the extent that the cost of such warranty covered repair or replacement exceeds \$50.00.)

Batteries are warranted by Gravely for a period of twelve (12) months only. If a battery shall fail within twelve (12) months of purchase, the replacement cost thereof shall be prorated over a twelve-month term based upon the number of months since purchase.
5. To obtain Warranty Service on a Gravely Product (including any battery or other component not manufactured by Gravely), use this procedure:
 - a. Notify the Gravely dealer from whom you purchased the equipment.
 - b. If you have moved and it is not convenient to notify the selling dealer, notify the nearest Gravely dealer. You should supply this dealer with a copy of the bill of sale as proof of the date of purchase.
 - c. Make arrangements to have the equipment delivered to the dealer (refer to paragraph 6 a., below).
 - d. If you have any questions concerning the Gravely Limited Warranty, they should be referred to:

Gravely International, Inc.
One Gravely Lane
Clemmons, NC 27012
Attn: Customer Service Department
 - e. Warranty service on Gravely Products must be performed by an authorized Gravely dealer.
6. This Warranty does not cover the following:
 - a. Transportation to the Gravely dealership. (If the Gravely dealer provides transportation, he will charge for such service.)
 - b. Normal maintenance services and normal replacement of items such as spark plugs, belts, oil, oil filters, air filters, and mower, plow or cultivator blades, gauge wheels, skids and other wear items.
 - c. Any Gravely Product which has been altered or modified in any way.
 - d. Any repair or replacement occasioned by customer neglect or lack of proper maintenance. (The purchaser is responsible for making sure that Gravely Products are operated and serviced as directed in the applicable manual or service instruction. Incorrect use or maintenance will void this Warranty.)
 - e. Any repair occasioned by the use of any attachment not approved by Gravely. (The use of any such unapproved attachment will void this Warranty.)
7. GRAVELY MAKES NO OTHER EXPRESS OR IMPLIED WARRANTIES, OR WARRANTIES AS TO THE MERCHANTABILITY OR FITNESS FOR A PARTICULAR PURPOSE. ALL WARRANTIES ARE LIMITED IN DURATION TO THE TERMS SET OUT IN PARAGRAPH 4, ABOVE. GRAVELY SHALL HAVE NO LIABILITY FOR INCIDENTAL OR CONSEQUENTIAL DAMAGES RESULTING FROM THE BREACH OF ANY WARRANTY, INCLUDING, BUT NOT LIMITED TO, LIABILITY FOR INCONVENIENCE, RENTAL OR PURCHASE OF REPLACEMENT EQUIPMENT, OR FOR LOSS OF PROFITS OR OTHER COMMERCIAL LOSS.
8. Some states do not allow limitations on how long an implied warranty lasts, so the above statement may not apply to you. Some states do not allow the exclusion or limitation of incidental or consequential damages, so the above limitation or exclusion may not apply to you.
9. This Warranty gives you specific legal rights, and you may have other rights which vary from state to state.
10. A Gravely product registration card is supplied with each Gravely Product. Please complete the card and return it to Gravely at the address listed on the card. The equipment registration card will be used by Gravely for:
 - a. Recording date of purchase.
 - b. Notification of owners in compliance with the Consumer Product Safety Act, should any notification be necessary.The return of such card is necessary for your warranty to be effective.
11. This Warranty is not subject to change or modification by anyone, including Gravely dealers and no Gravely dealer is authorized to make any representations or promises on Gravely's behalf.

 **GRAVELY**

One Gravely Lane, Clemmons, NC 27012