



**PROFESSIONAL 4-WHEEL
TRACTORS (G SERIES)
ILLUSTRATED PARTS LIST**

▲ SAFETY MESSAGE ▲

The product for which you have requested information or replacement parts is not a current product. The replacement models incorporate product designs, safety features, safety instructions or warnings which represent the latest "State Of The Art" developments. For your safety and those around you please contact your nearest Ariens/Gravely Dealer for a demonstration of the current product safety provisions and features.

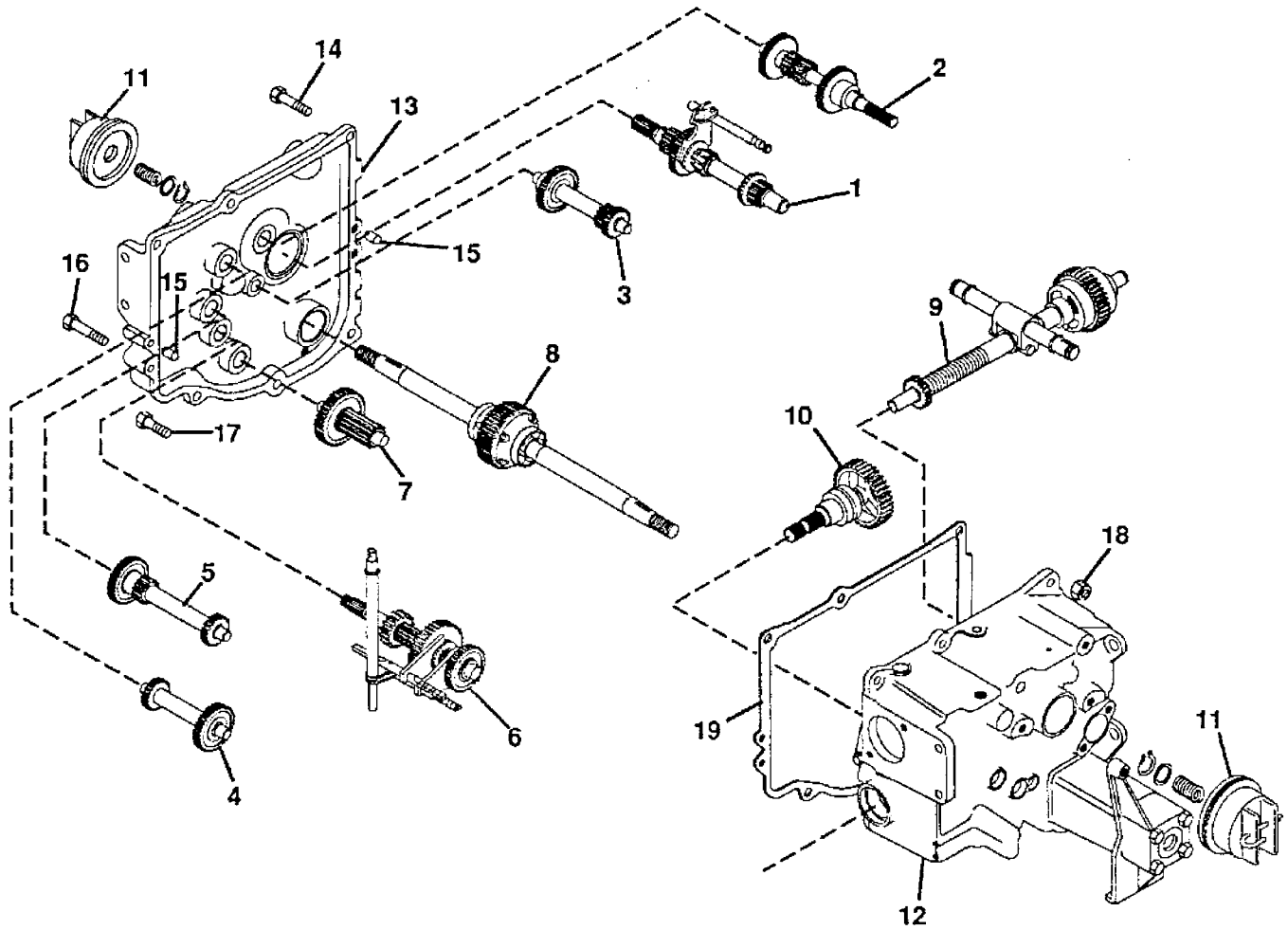
TO CONTINUE ITS PROGRAM OF QUALITY AND DESIGN IMPROVEMENTS, THE MANUFACTURER RESERVES THE RIGHT TO CHANGE SPECIFICATIONS, DESIGNS AND PRICES WITHOUT NOTICE AND WITHOUT INCURRING OBLIGATION. THE MANUFACTURER ALSO RESERVES THE RIGHT TO SHIP WITHOUT NOTICE AND WITHOUT INCURRING OBLIGATION.

 **GRAVELLY®**

TABLE OF CONTENTS

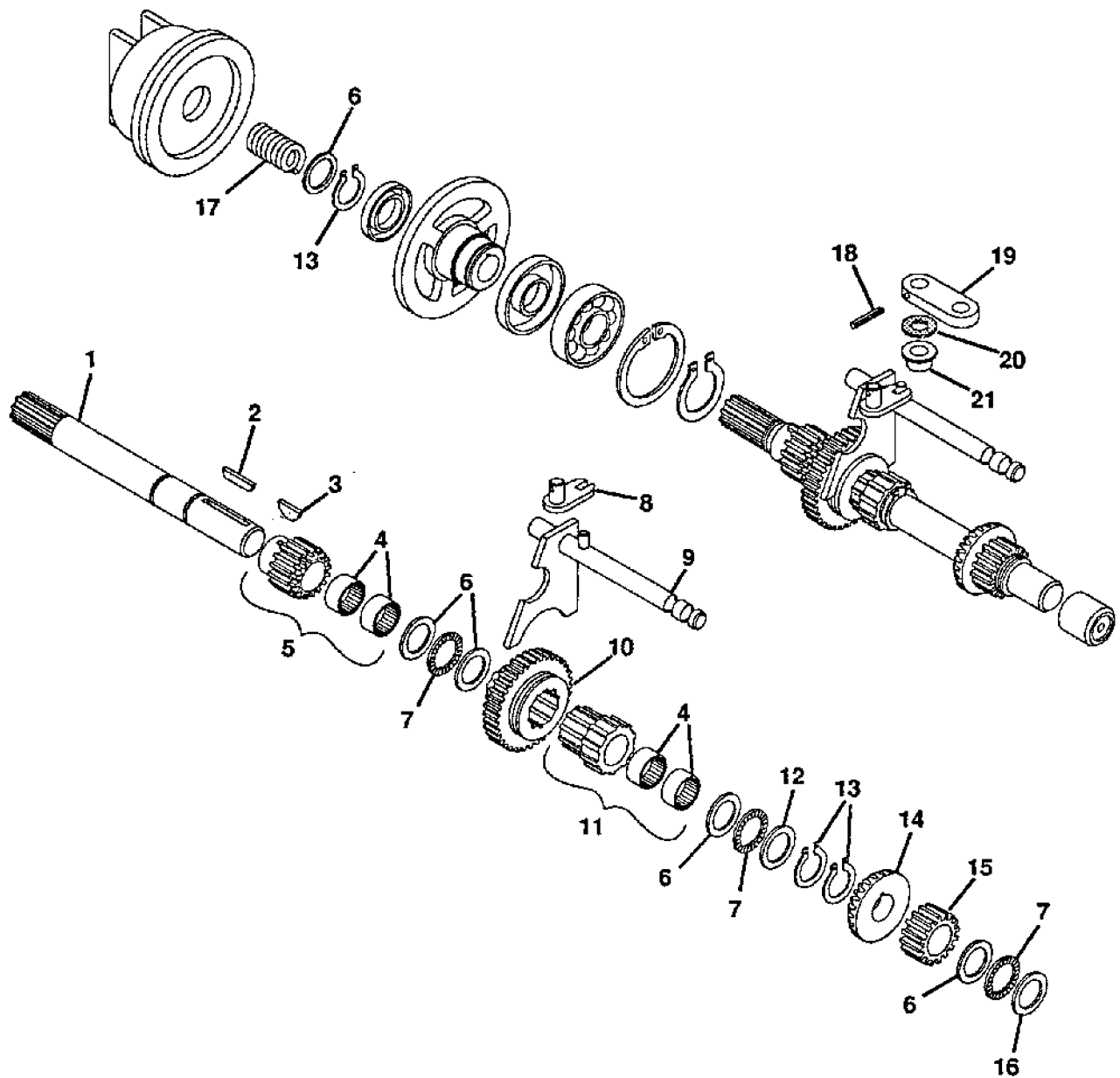
	<u>Page</u>
Transmission	1
Number One Shaft - Forward Clutch	2
Number Two Shaft - Reverse Clutch	3
Number Three Shaft - 3rd and 4th Gear	4
Number Four Shaft - Idler	4
Number Five Shaft - 1st and 2nd Gear	4
Number Six Shaft - Brake/Sliding Gear	6
Number Seven Shaft - Pinion/Final Drive	6
Number Eight Shaft - Differential Assembly	8
Number Nine Shaft - PTO Clutch	8
Number Ten Shaft - PTO Drive Assembly	10
Number Eleven - Fwd-Rev Clutch Assembly	10
Number Twelve - Transmission Case Assembly	12
Number Thirteen - Transmission Cover Assembly	14
Frame	16
Hood and Rear Deck	18
Rear Hitch	20
Front and Rear Wheels	21
Hydraulic System	22
Manual Lift	24
Steering - 12 H.P and 16 H.P. Units	26
- 18 H.P and 20 H.P. Units	28
Direction Control	30
Transmission Controls	32
Brake Linkage	34
Fuel and Exhaust System - 12 H.P. Units	36
- 16 H.P. Units	38
- 18 H.P and 20 H.P. Units	40
Electrical System - 12 H.P. Units	42
- 16 H.P. Units	44
- 18 H.P and 20 H.P. Units	46

TRANSMISSION



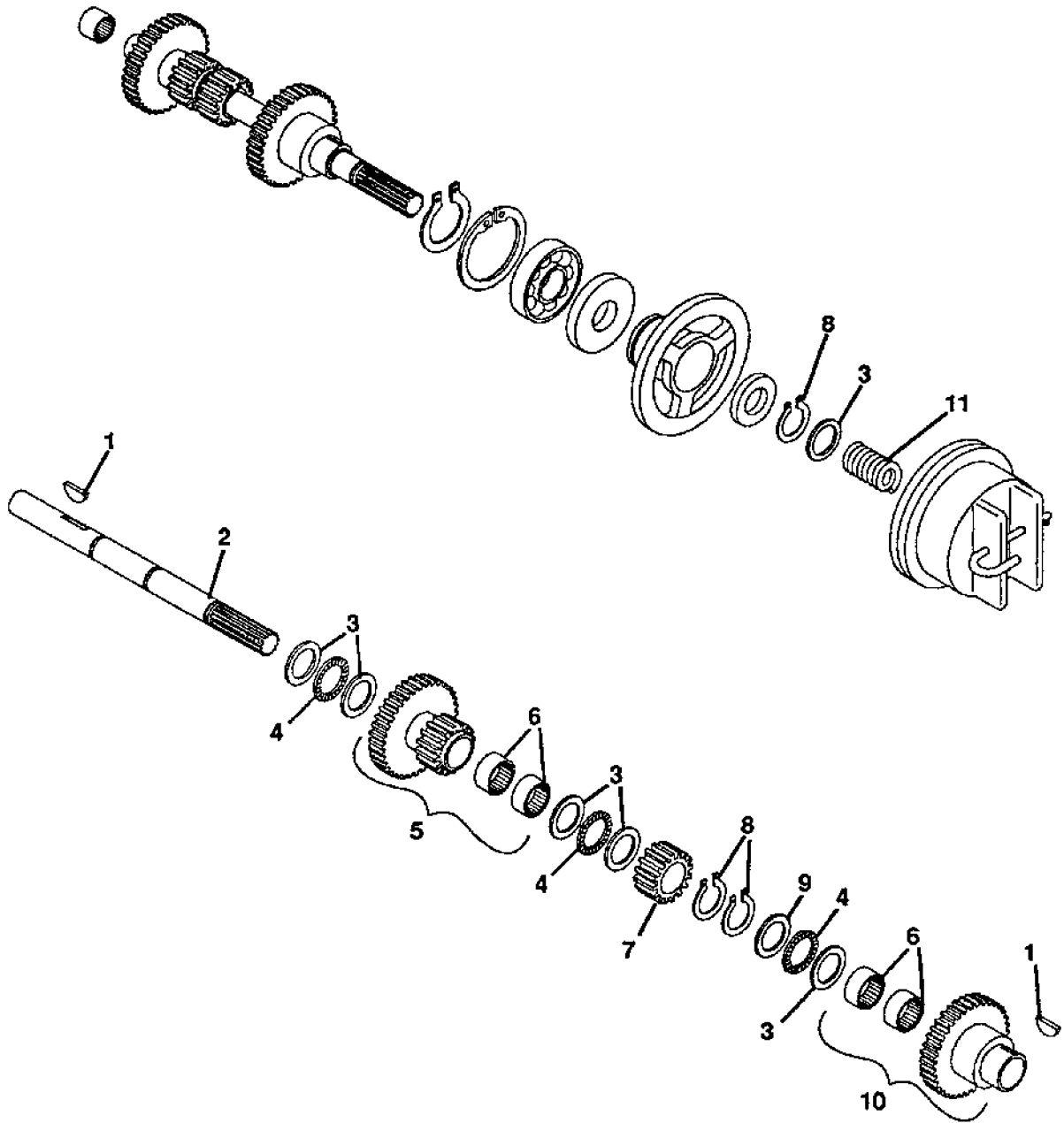
ITEM NO.	PART NO.	QTY.	DESCRIPTION	ITEM NO.	PART NO.	QTY.	DESCRIPTION
1			No. 1 Shaft, Forward Clutch	11			No. 11, Fwd-Rev Clutch Asm.
2			No. 2 Shaft, Reverse Clutch	12			No. 12, Transmission Case Asm.
3			No. 3 Shaft, 3rd and 4th Gear	13			No. 13, Transmission Cover Asm.
4			No. 4 Shaft, Idler	14	180130	2	Bolt, Hex 3/8-16x2.00
5			No. 5 Shaft, 1st and 2nd Gear	15	18089	2	Pin, Dowel .375x.625
6			No. 6 Shaft, Brake-Sliding Gear	16	180132	2	Bolt, Hex 3/8-16x2.25
7			No. 7 Shaft, Pinion-Final Drive	17	180126	4	Bolt, Hex 3/8-16x1.50
8			No. 8 Shaft, Differential Asm.	18	456004	6	Nut, Lock 3/8-16
9			No. 9 Shaft, PTO Clutch	19	18027	1	Gasket, Transmission Cover
10			No. 10 Shaft, PTO Drive Asm.				

NUMBER ONE SHAFT - FORWARD CLUTCH



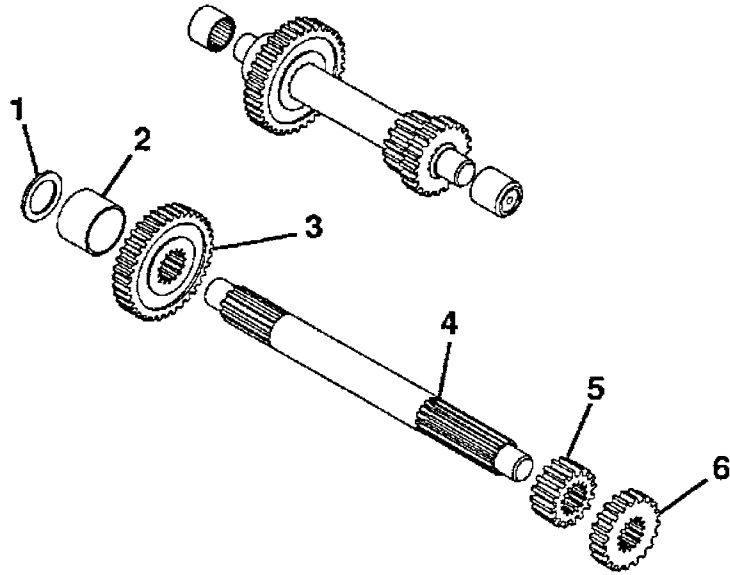
ITEM NO.	PART NO.	QTY.	DESCRIPTION	ITEM NO.	PART NO.	QTY.	DESCRIPTION
1	34731	1	Shaft, Splined Fwd Clutch	12	6742	1	Race, .060 Bearing Thrust
2	117989	1	Key, Woodruff .188x1.25 Hrd #19	13	11135	3	Ring, Retaining .750 Shaft
3	431787	1	Key, Woodruff .188x.625 Hrd #61	14	45585	1	Gear, Bevel
4	17949	4	Bearing, Needle .75x1x.50	15	18003	1	Gear, 10 DP 16 Teeth x .750 Std.
5	18025	1	Gear and Bearing Assembly	16	14998	1	Race, Thrust .752x1.240x.095
6	11223	5	Race, Brg Thrust .752x1.240x.030	17	20444	1	Spring, Comp. 1.0x.80x36 lb/in
7	6741	3	Bearing, Thrust .752x1.240x.078	18	421202	1	Pin, Spring .188x1.00
8	17926	1	Weldment, Shifter	19	17929	1	Arm, Shifter
9	20755	1	Weldment, Shift Rail	20	21141	1	Washer, Felt
10	18011	1	Gear, Spur	21	17925	1	Bushing, 2-Speed
11	18007	1	Gear and Bearing Assembly				

NUMBER TWO SHAFT - REVERSE CLUTCH

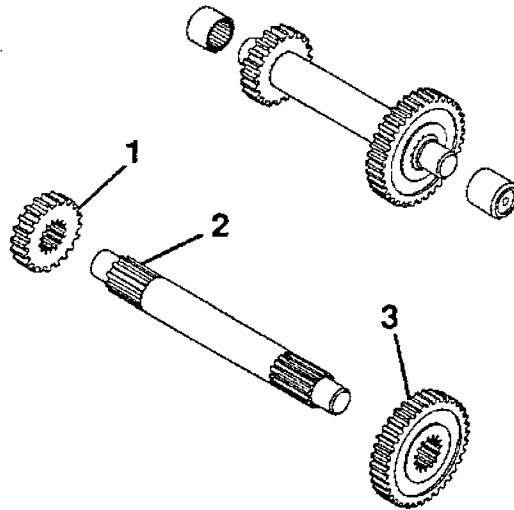


ITEM NO.	PART NO.	QTY.	DESCRIPTION	ITEM NO.	PART NO.	QTY.	DESCRIPTION
1	431787	2	Key, Woodruff .188x.625 Hrd #61	7	18003	1	Gear, 10 DP 16 Teeth x .750 Std.
2	34730	1	Shaft, Splined Rev Clutch	8	11135	3	Ring, Retaining .750 Shaft
3	11223	6	Race, Brg Thrust .752x1.240x.030	9	6742	1	Race, .060 Bearing Thrust
4	6741	3	Brg, Needle Thrust .752x1.24x.078	10	17947	1	Assembly, Reverse Gear and Brg
5	18020	1	Gear, idler Assembly	11	20444	1	Spring, Comp. 1.0x.80x36 lb/in
6	17949	4	Bearing, Needle .75x1x.50				

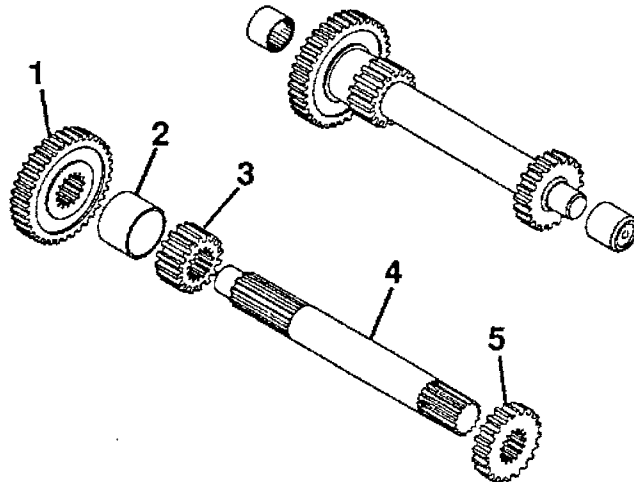
NUMBER THREE SHAFT - 3RD AND 4TH GEAR



NUMBER FOUR SHAFT - IDLER



NUMBER FIVE SHAFT - 1ST AND 2ND GEAR



NUMBER THREE SHAFT - 3RD AND 4TH GEAR

ITEM NO.	PART NO.	QTY.	DESCRIPTION	ITEM NO.	PART NO.	QTY.	DESCRIPTION
1	18000	1	Brg, Thrust Race .627x1.115x.094	4	17997	1	Shaft, Splined
2	17999	1	Spacer, 1.027x1.125x.457	5	17992	1	Gear, 10 DP 16 Teeth x .750
3	19535	1	Gear	6	15118	1	Gear, 10 DP 20 Teeth x .600

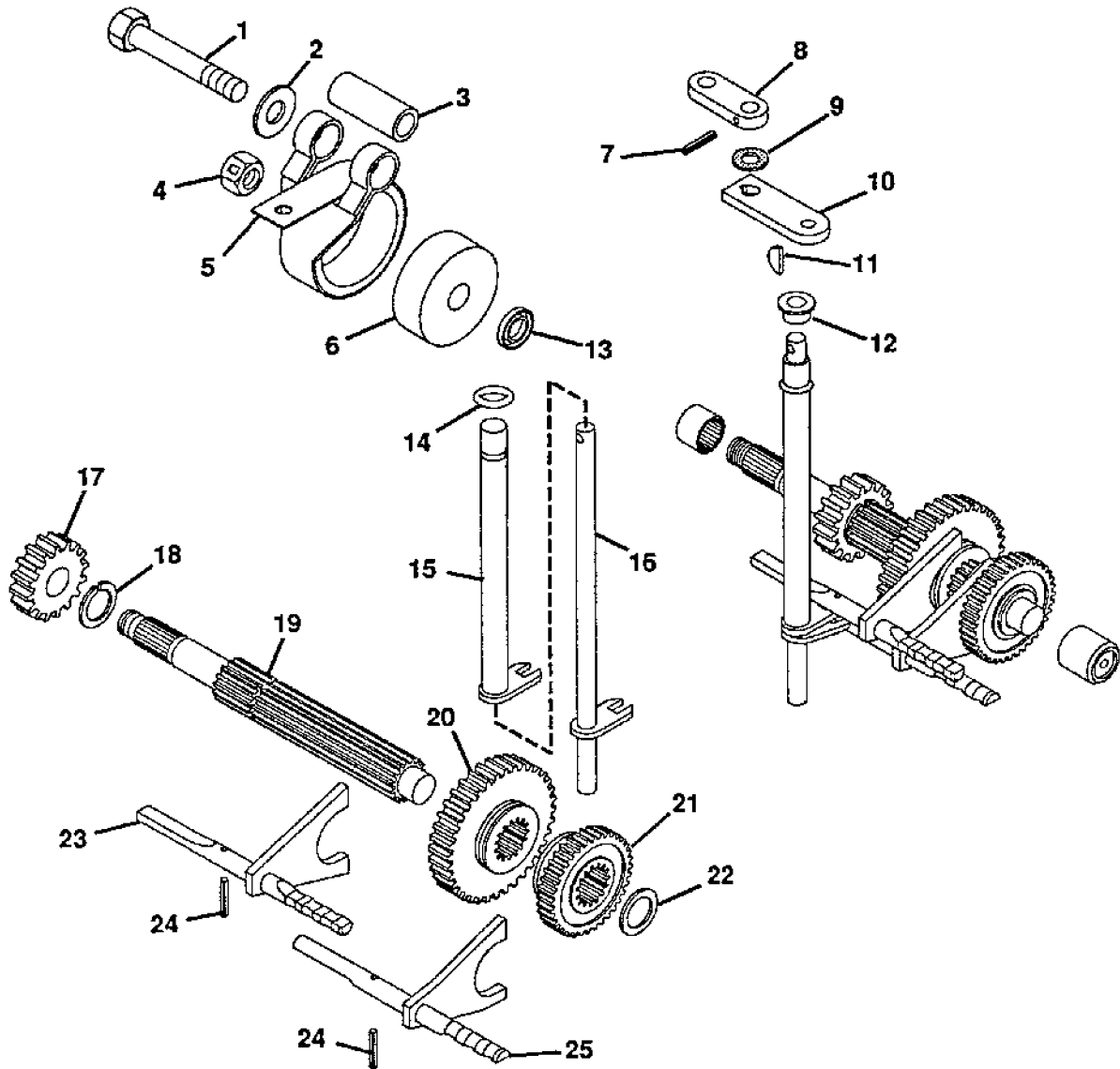
NUMBER FOUR SHAFT - IDLER

ITEM NO.	PART NO.	QTY.	DESCRIPTION	ITEM NO.	PART NO.	QTY.	DESCRIPTION
1	15118	1	Gear, 10 DP 20 Teeth x .600	3	15115	1	Gear, 10 DP 30 Teeth x .500
2	17995	1	Shaft, Splined				

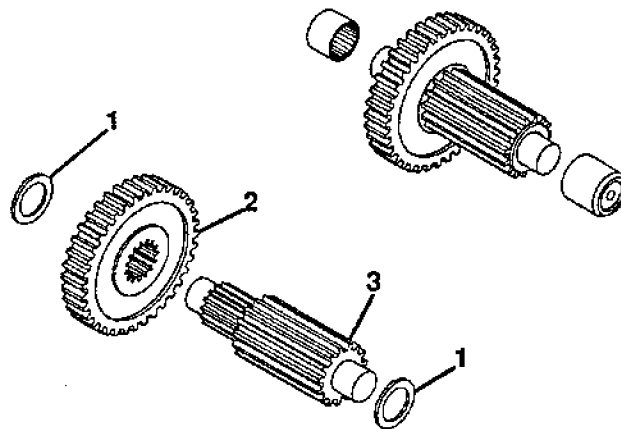
NUMBER FIVE SHAFT - 1ST AND 2ND GEAR

ITEM NO.	PART NO.	QTY.	DESCRIPTION	ITEM NO.	PART NO.	QTY.	DESCRIPTION
1	15115	1	Gear, 10 DP 30 Teeth x .500	4	17989	1	Shaft, Splined
2	17993	1	Spacer, 1.027x1.125x.550	5	15118	1	Gear, 10 DP 20 Teeth x .600
3	17992	1	Gear, 10 DP 16 Teeth x .750				

NUMBER SIX SHAFT - BRAKE/SLIDING GEAR



NUMBER SEVEN SHAFT - PINION/FINAL DRIVE



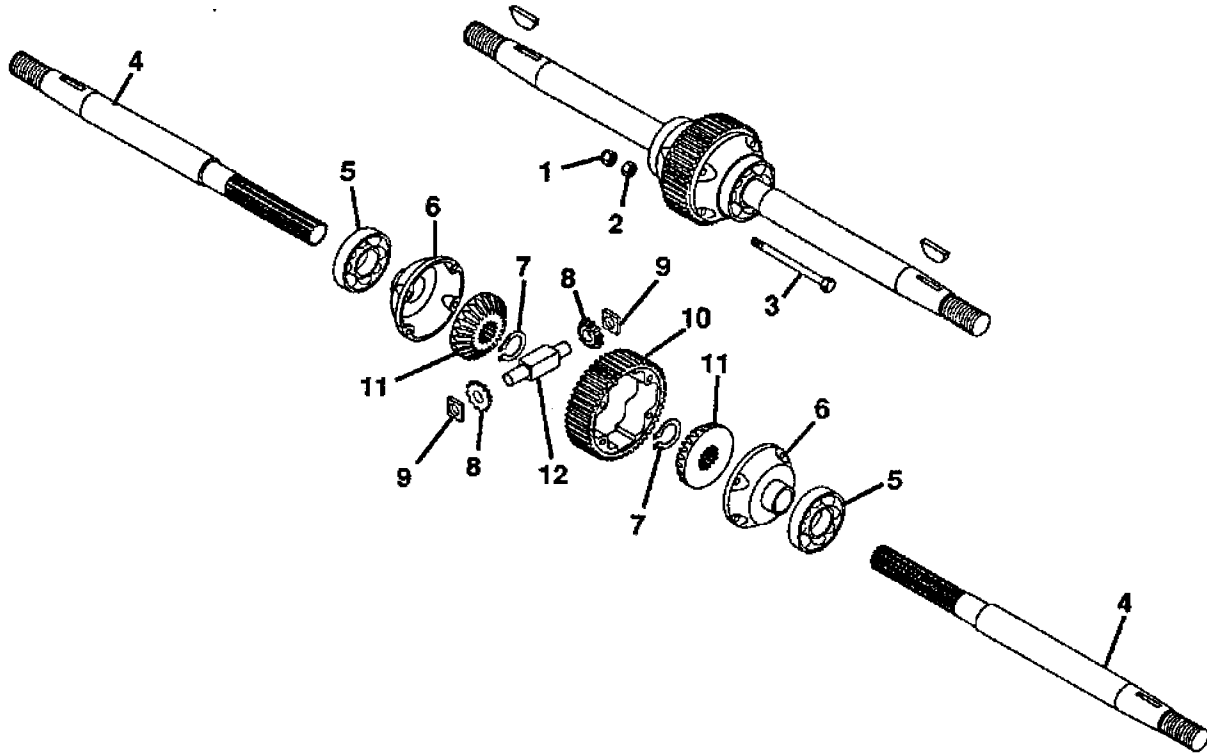
NUMBER SIX SHAFT - BRAKE/SLIDING GEAR

ITEM NO.	PART NO.	QTY.	DESCRIPTION	ITEM NO.	PART NO.	QTY.	DESCRIPTION
1	180188	1	Bolt, Hex 1/2-13x2.75	14	18018	1	O-Ring, 5/8x3/4x1/16
2	120396	1	Washer, Flat .531x1.062x.095	15	17940	1	Weldment, 1st and 3rd Shifter
3	18165	1	Bushing, .530x.750x2.06	16	17937	1	Weldment, 2nd and 4th Shifter
4	414075	1	Nut, Lock 5/8-11	17	14988	1	Gear, 8 DP 16 Teeth x .850
5	40732	1	Assembly, Brake Band	18	14987	1	Ring, Retaining 1.00 Shaft
6	21371	1	Drum, Brake	19	21370	1	Shaft, Slide Gear
7	421202	1	Pin, Spring .188x1.000	20	14989	1	Gear, Sliding 10 DP 36 Teeth x .59
8	17945	1	Arm, Shifter	21	14995	1	Gear, Sliding 10 DP 30 Teeth x .59
9	21141	1	Washer, Felt (Special for Trans.)	22	14998	1	Race, Brg Thrust .752x1.240x.095
10	17944	1	Arm, Shifter	23	20761	1	Wdmt, Rail Shift Fork 1&3 Range
11	271089	1	Key, Woodruff .125x.375 Hard	24	456390	2	Pin, Spring .25x.75
12	17943	1	Bushing, .756x1.125x.75	25	20762	1	Wdmt, Rail Shift Fork 2&4 Range
13	15137	1	Seal, Oil .750x1.254x.188				

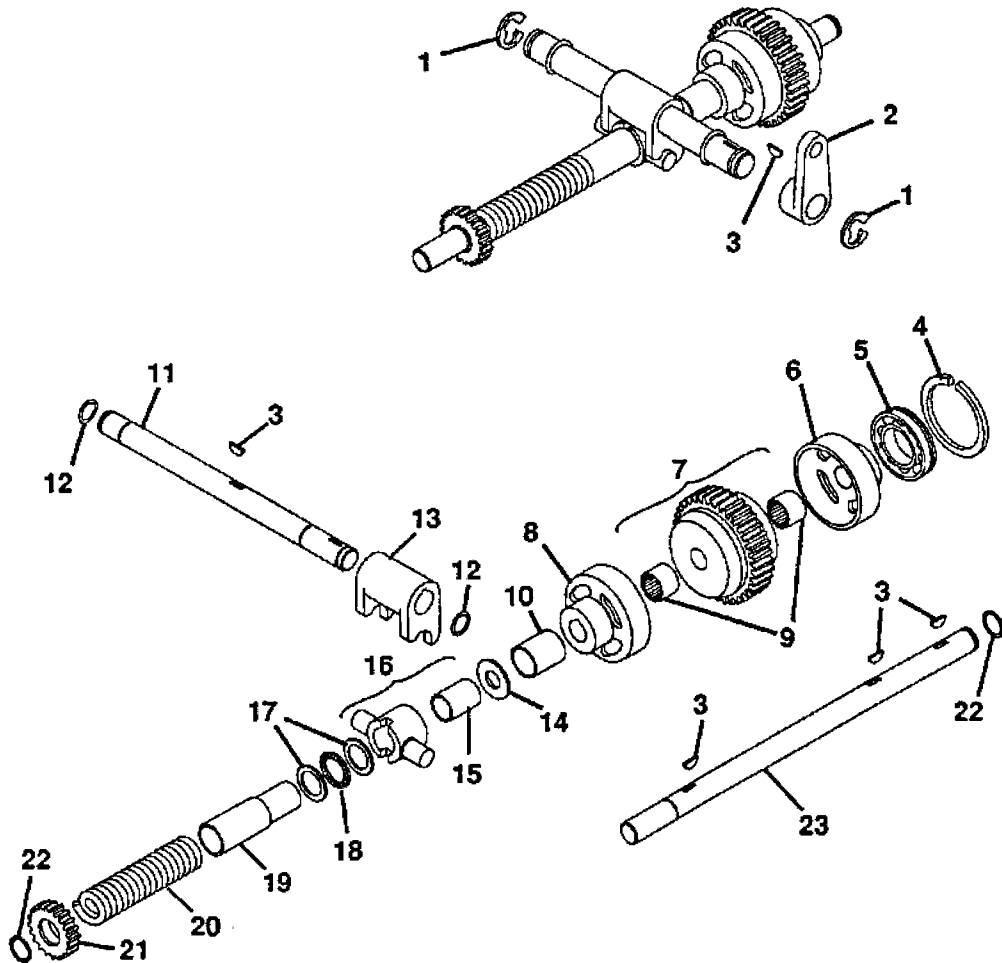
NUMBER SEVEN SHAFT - PINION/FINAL DRIVE

ITEM NO.	PART NO.	QTY.	DESCRIPTION	ITEM NO.	PART NO.	QTY.	DESCRIPTION
1	19340	2	Face, Brg Thrust 1.002x1.552x.03	3	17986	1	Pinion, Final Drive
2	17987	1	Gear, 8 DP 30 Teeth x .750				

NUMBER EIGHT SHAFT - DIFFERENTIAL ASSEMBLY



NUMBER NINE SHAFT - PTO CLUTCH



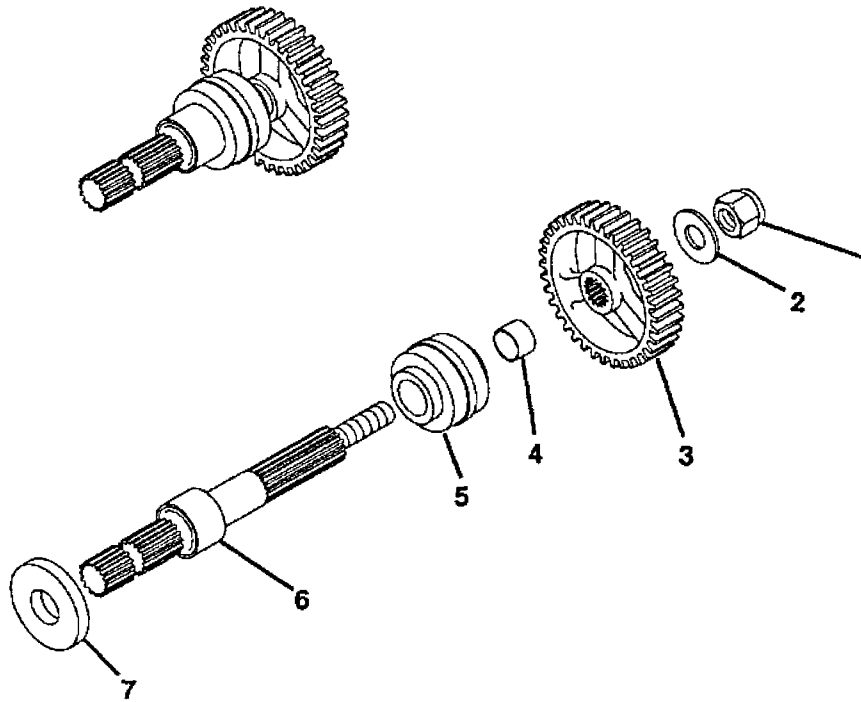
NUMBER EIGHT SHAFT - DIFFERENTIAL ASSEMBLY

ITEM NO.	PART NO.	QTY.	DESCRIPTION	ITEM NO.	PART NO.	QTY.	DESCRIPTION
1	419455	4	Nut, Lock 5/16-18	7	17980	2	Ring, Retaining 1.000 Shaft
2	20514	4	Nut, Hex 5/16-18 Grade-8	8	19952	2	Pinion, Bevel
3	23712	4	Bolt, Hex 5/16-18x2.75 Grade-8	9	12667	2	Block, Drive
4	40300	2	Axle, Bevel Gear Differential	10	23531	1	Gear, Final Drive
5	17984	2	Bearing, Ball 1.378x2.834x.699	11	19953	2	Gear, Bevel
6	19956	2	Cap, Differential End	12	19954	1	Pin, Spider Pinion

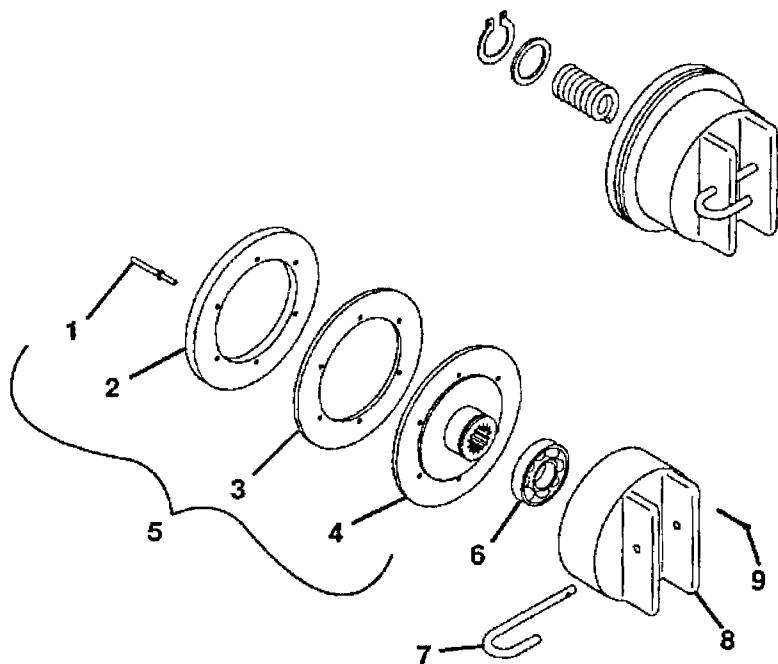
NUMBER NINE SHAFT - PTO CLUTCH

ITEM NO.	PART NO.	QTY.	DESCRIPTION	ITEM NO.	PART NO.	QTY.	DESCRIPTION
1	11270	2	E-Ring, .750 Shaft	13	18016	1	Yoke, PTO
2	18019	1	Lever, PTO	14	14998	1	Race, Thrust Brg .752x1.240x.095
3	124549	5	Key, Woodruff .187x.750 Hard #9	15	17962	1	Bushing
4	17966	1	Ring, Retaining 1.375 Eaton 340-1	16	17960	1	Assembly, Shifting Collar
5	17967	1	Bearing, Ball 1.378x2.440x.551	17	17959	2	Brg, Thrust Race 1.002x1.552x.09
6	17952	1	Cup, Clutch	18	11225	1	Brg, Needle Thrust 1.002x1.552
7	17953	1	Assembly, Clutch Cone Bearing	19	34194	1	Throw-Out, PTO
8	17957	1	Cup, Clutch	20	34193	1	Spring, Comp. 5x1.50x200 Rate
9	17949	2	Bearing, Needle .750x1.00x.50	21	17965	1	Gr, Spur 10 DP 22 Teeth x 1.2 Std.
10	17958	1	Spacer, PTO	22	15733	2	Ring, Retaining .750 Shaft
11	18017	1	Shaft, PTO Yoke	23	17951	1	Shaft, PTO Clutch
12	18018	2	O-Ring, .625x.750x.060				

NUMBER TEN SHAFT - PTO DRIVE ASSEMBLY



NUMBER ELEVEN - FWD-REV CLUTCH ASSEMBLY



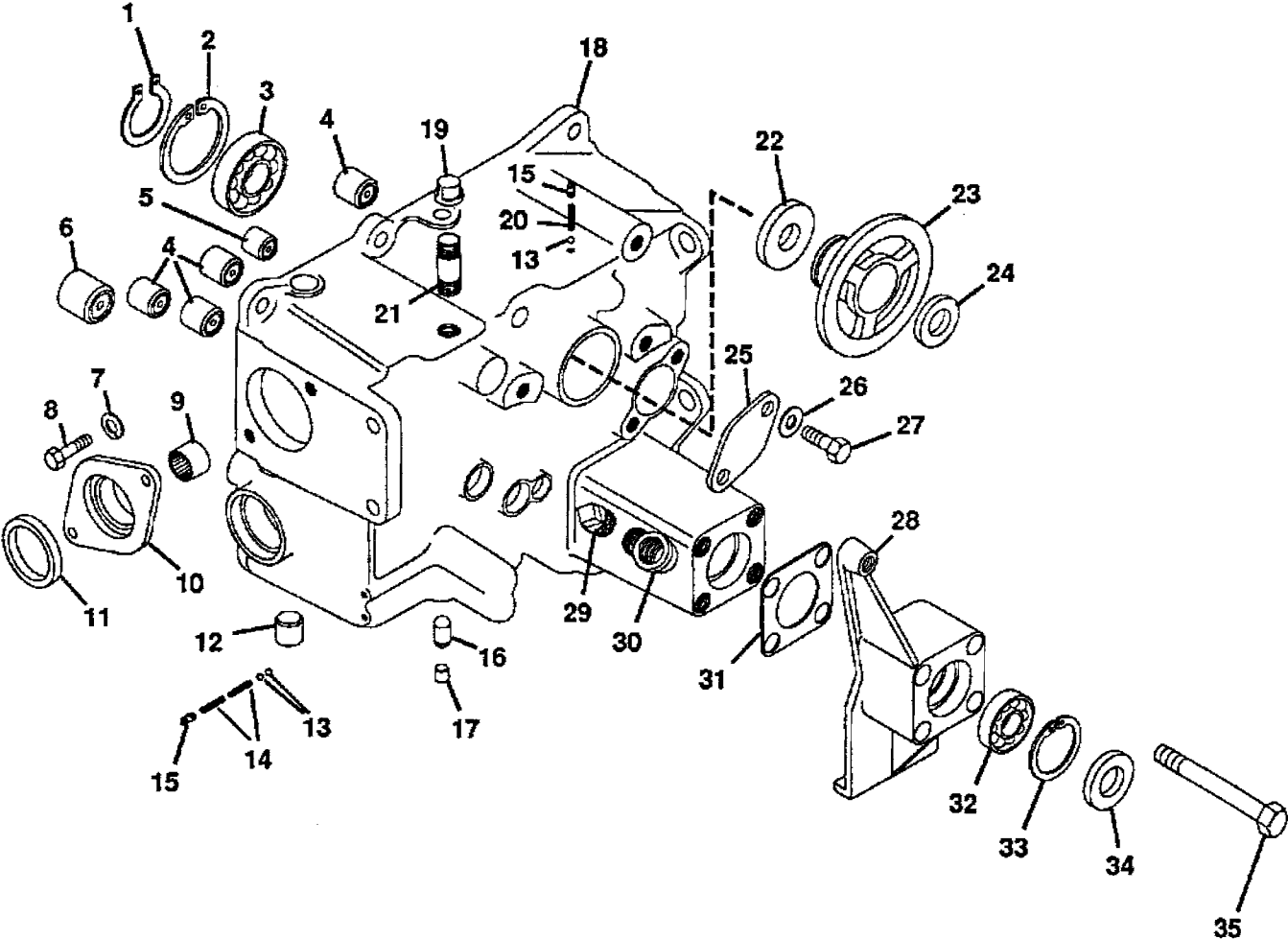
NUMBER TEN SHAFT - PTO DRIVE ASSEMBLY

ITEM NO.	PART NO.	QTY.	DESCRIPTION	ITEM NO.	PART NO.	QTY.	DESCRIPTION
1	414075	1	Nut, Lock 5/8-11	5	14640	1	Asm, Bearing 1.000x1.980x1.243
2	33845	1	Washer, Flat .687x1.312x.122	6	19538	1	Shaft, PTO
3	17922	1	Gear, Spur PTO 10 DP 56 T x .75	7	17923	1	Seal, Oil 1.375x2.129x.312
4	17924	1	Spacer, 1.060x1.375x.450				

NUMBER ELEVEN - FWD-REV CLUTCH ASSEMBLY

ITEM NO.	PART NO.	QTY.	DESCRIPTION	ITEM NO.	PART NO.	QTY.	DESCRIPTION
1	44141	1	Rivet, Steel (Bag of 50)	6	35330	2	Bearing, Ball 1.574x3.149x.708
2	40692	2	Lining, Clutch	7	35681	2	Pin, Clutch Spring
3	42481	2	Ring, Clutch	8	34734	2	Trunnion, Fwd-Rev Clutch
4	42484	2	Disc, Clutch	9	121223	2	Pin, Cotter .06x.75
5	42482	2	Assembly, Clutch and Ring				

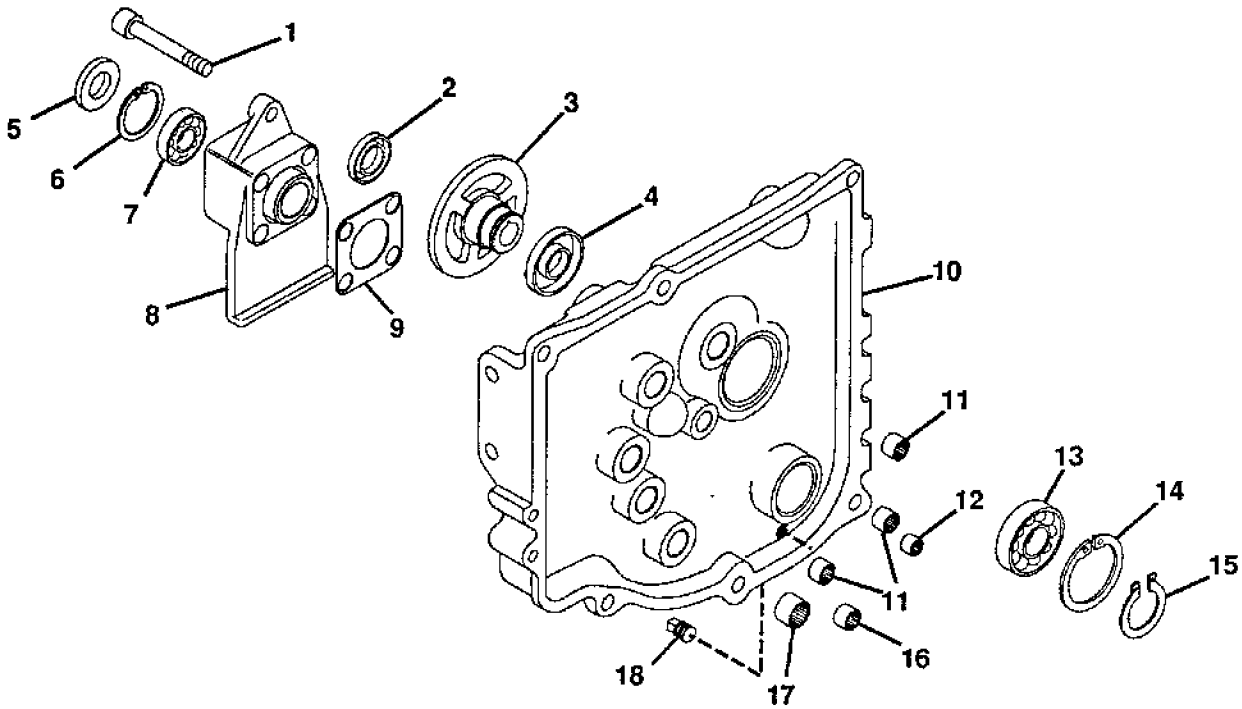
NUMBER TWELVE - TRANSMISSION CASE ASSEMBLY



NUMBER TWELVE - TRANSMISSION CASE ASSEMBLY

ITEM NO.	PART NO.	QTY.	DESCRIPTION	ITEM NO.	PART NO.	QTY.	DESCRIPTION
1	17919	1	Ring, Retaining 1.969 Shaft	19	19472	1	Cap, Pipe 1/2 NPT
2	18872	1	Ring, Retaining 3.156 Bore	20	24772	1	Spring
3	17915	1	Bearing, Ball 1.968x3.149x.629	21	121664	1	Nipple, Pipe 1/2x2.5
4	17913	4	Bearing, Needle .75x1x.75	22	17917	1	Seal, Oil 2.250x3.005x.375
5	17914	1	Bearing, Needle .625x.812x.750	23	18024	1	Hub, Clutch
6	17912	1	Brg, Needle 1.000x1.250x.750	24	18035	1	Seal, Oil .75x1.625x.25
7	120214	2	Washer, Lock 5/16 Reg.	25	18421	1	Plate, Cover
8	180079	2	Bolt, Hex 5/16-18x1.00	26	120394	2	Washer, Flat .406x.812x.065
9	9660	1	Bearing	27	180120	2	Bolt, Hex 3/8-16x.750
10	18859	1	Cap, Front PTO	28	42976	1	Retainer, Axle Bearing
11	15137	1	Seal, Oil .750x1.254x.188	29	103880	1	Plug, Pipe 1/2
12	17946	1	Plug	30	108686	1	Elbow, 1/2 90 Degree Street
13	274301	5	Ball, Steel 5/16	31	18030	1	Gasket
14	17936	4	Spring, Comp. 1.50x.30x26 lb/in	32	18029	1	Bearing, Ball 1.250x2.250x.500
15	103877	3	Plug, Pipe 1/8	33	18812	1	Ring, Retaining
16	18200	1	Pin, Interlock	34	18031	2	Seal, Oil Axle
17	421743	1	Plug, Cup 3/8	35	180191	4	Bolt, Hex 1/2-13x3.25
18	17910	1	Assembly, Transmission Case				

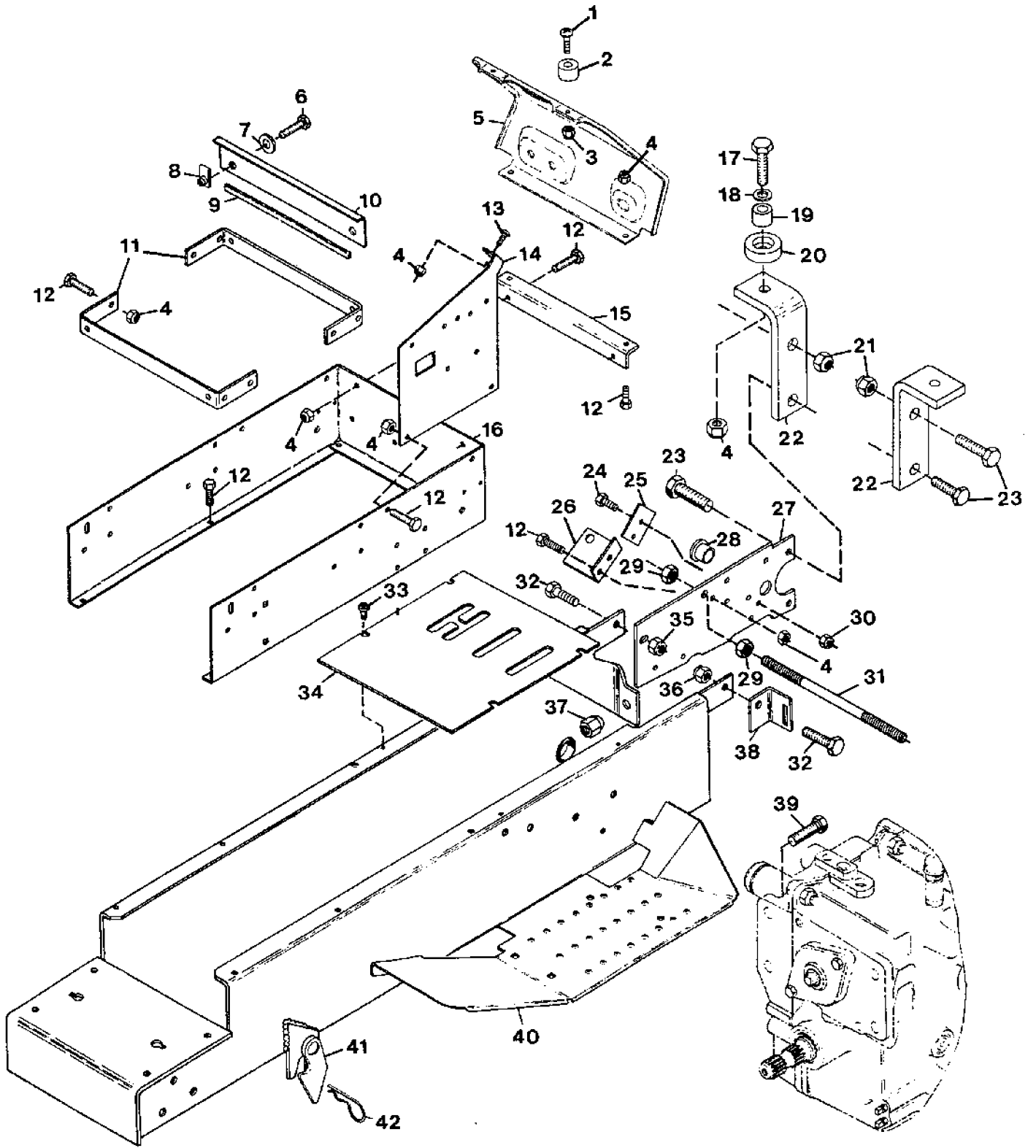
NUMBER THIRTEEN - TRANSMISSION COVER ASSEMBLY



NUMBER THIRTEEN - TRANSMISSION COVER ASSEMBLY

ITEM NO.	PART NO.	QTY.	DESCRIPTION	ITEM NO.	PART NO.	QTY.	DESCRIPTION
1	180191	4	Bolt, Hex 1/2-13x3.25	10	18022	1	Assembly, Transmission Cover
2	18035	1	Seal, Oil .750x1.625x.250	11	17913	3	Bearing, Needle .75x1x.75
3	18024	1	Hub, Clutch	12	17914	1	Bearing, Needle .625x.812x.75
4	17917	1	Seal, Oil 2.250x3.005x.375	13	17915	1	Bearing, Ball 1.968x3.149x.629
5	18031	2	Seal, Oil Axle	14	18872	1	Ring, Retaining 3.156 Bore
6	18812	1	Ring, Retaining .08 Thick	15	17919	1	Ring, Retaining 1.969 Shaft
7	18029	1	Bearing, Ball 1.250x2.250x.500	16	11063	1	Bearing, Needle .75x1x.75
8	46061	1	Retainer, Axle Bearing	17	17912	1	Brg, Needle 1.000x1.250x.750
9	18030	1	Gasket	18	103879	1	Plug, Pipe 3/8

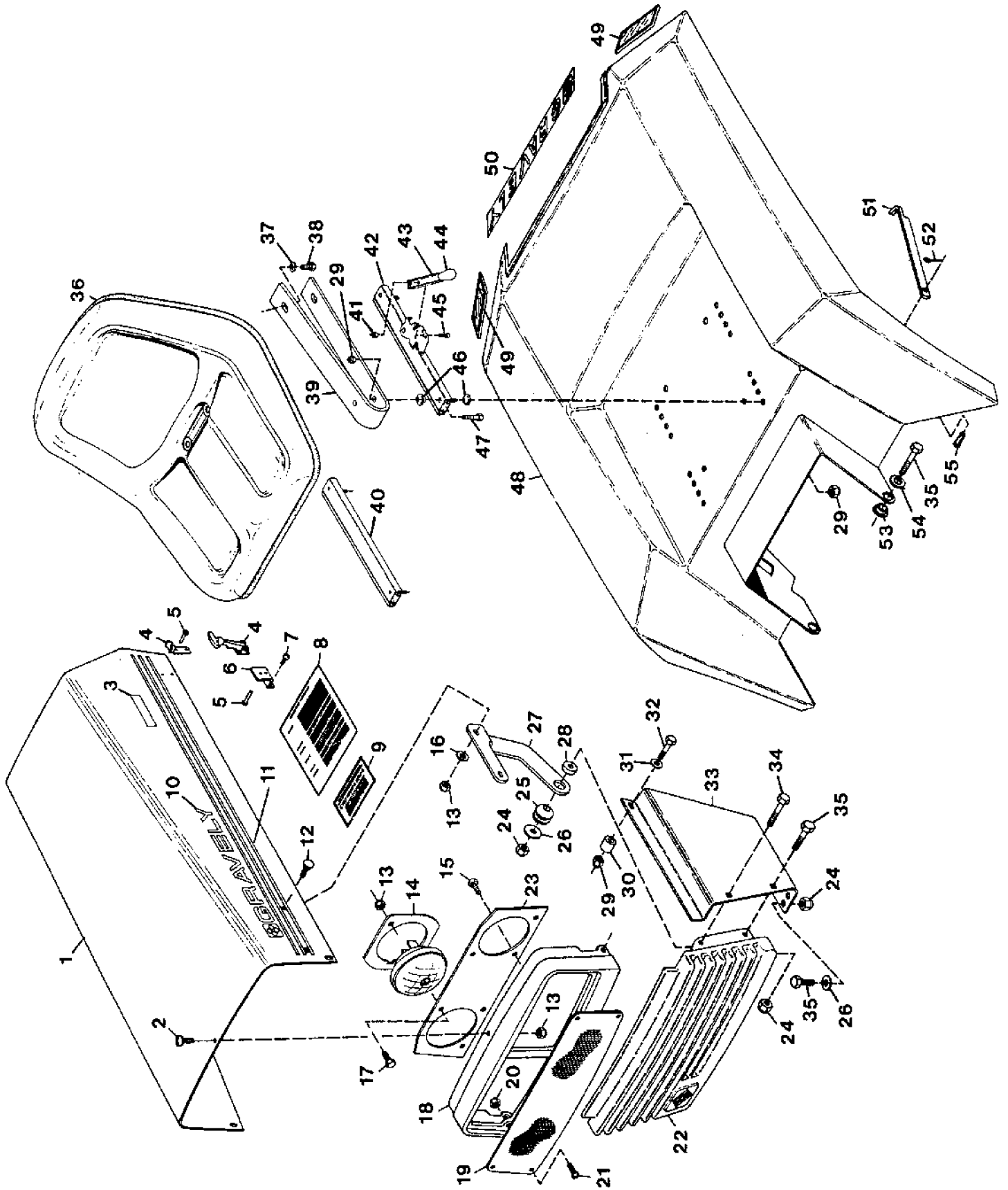
FRAME



FRAME

ITEM NO.	PART NO.	QTY.	DESCRIPTION	ITEM NO.	PART NO.	QTY.	DESCRIPTION
1	159341	2	Screw, Machine 6-32x.625 PHD	23	180177	4	Bolt, Hex 1/2-13x1.50
2	18183	2	Bumper	24	180077	4	Bolt, Hex 5/16-18x.75
3	427254	2	Nut, Machine Lock 6-32	25	40822	2	Bracket, Bushing Lock
4	419454	26	Nut Lock 1/4-20	26	40184	1	Bracket, Interlock Switch
5	46286	1	Panel, Instrument	27	40183	2	Plate, Fwd-Rev Mounting
6	180021	4	Bolt, Hex 1/4-20x.875	28	10174	2	Bushing, Nylon .76x1.00x.76 Fig
7	120392	4	Washer, Flat .281x.625x.065	29	120378	4	Nut, Hex 1/2-13
8	32369	4	Nut, Retainer	30	419455	4	Nut, Lock 5/16-18
9	14897	2	Moulding	31	40207	1	Rod, Frame Extension Brace
10	22421	2	Bracket, Forward Tank	32	180124	2	Bolt, Hex 3/8-16x1.25
11	40141	2	Bracket, Fuel Tank	33	167260	4	Screw, Tapping 1/4-20x.625 PHD
12	180020	22	Bolt, Hex 1/4-20x.75	34	40140	1	Plate, Manual Control Cover
13	160541	2	Screw, Machine 1/4-20x.75 PHD		39872	1	Plate, Hydraulic Control Cover
14	40449	1	Brace, Instrument Panel L.H.	35	413534	1	Nut, Lock 3/8-16
	40450	1	Brace, Instrument Panel R.H.	36	456004	1	Nut, Lock 3/8-16
15	40548	1	Bracket, Instrument Panel	37	11058	4	Nut, Rim
16	41240	1	Support, Instrument Panel	38	18362	1	Bracket, Fender Hold-Up
17	180024	2	Bolt, Hex 1/4-20x1.25	39	181700	4	Bolt, Hex 1/2-20x1.50
18	120386	2	Washer, Flat .312x.734x.065	40	45235	1	Weldment, Frame
19	34723	2	Bushing, .259x.375x.25	41	21087	1	Weldment, Mower Bracket R.H.
20	24357	2	Bumper, Seat		21088	1	Weldment, Mower Bracket L.H.
21	435507	2	Nut, Lock 1/2-13	42	10405	2	Pin, Hair
22	45594	2	Bracket, Rear Hitch				

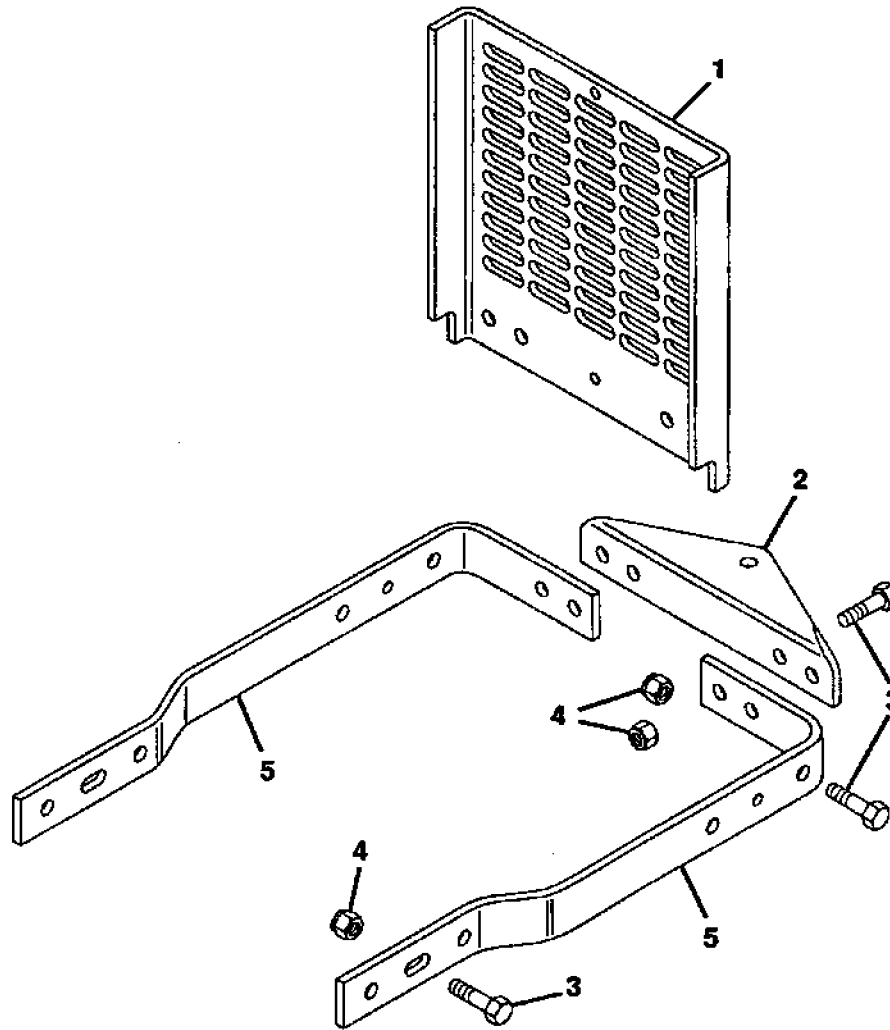
HOOD AND REAR DECK



HOOD AND REAR DECK

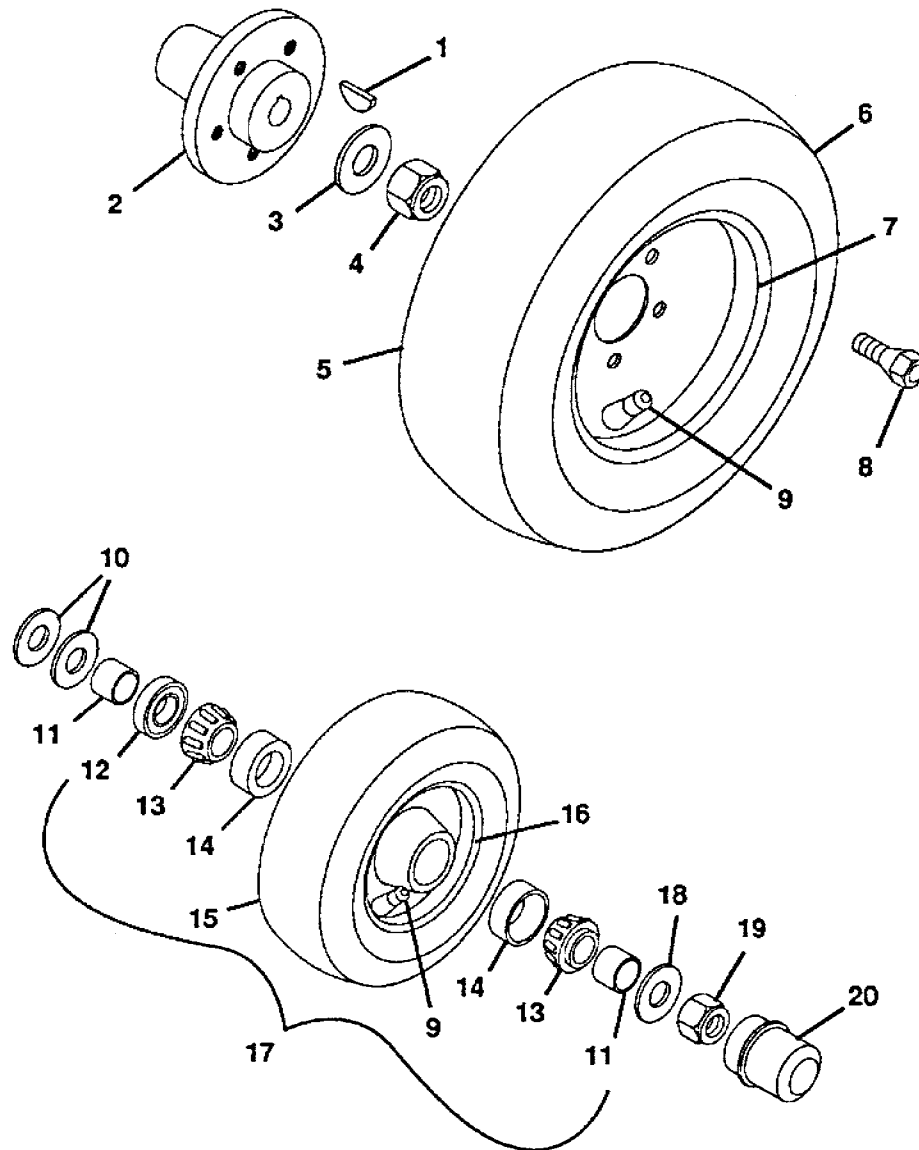
ITEM NO.	PART NO.	QTY.	DESCRIPTION	ITEM NO.	PART NO.	QTY.	DESCRIPTION
1	43802	1	Hood, Silk Screen	29	419455	10	Nut, Lock 5/16-18
2	160541	3	Screw, Machine 1/4-20 PHD	30	10908	2	Spacer, .375x.100x1.00
3	43244	2	Decal, Model 12-G	31	120393	2	Washer, Flat .344x.688x.065
	43245	2	Decal, Model 16-G	32	180085	2	Bolt, Hex 5/16-18x1.75
	43246	2	Decal, Model 18-G	33	39836	1	Panel, Side L.H.
	43247	2	Decal, Model 20-G		39835	1	Panel, Side R.H.
4	35294	2	Latch, Flexible	34	180130	2	Bolt, Hex 3/8-16x2.00
5	32661	6	Rivet, Dome Head	35	180122	8	Bolt, Hex 3/8-16x1.00
6	39828	2	Bracket, Hood Latch Mounting	36	45610	1	Seat, High Back
7	163158	4	Screw, 8-18x.375 PHD CR	37	120214	4	Washer, Lock 5/16 Reg.
8	40754	1	Decal, Maintenance	38	180077	4	Bolt, Hex 5/16-18x.75
9	11989	2	Decal, Electrical System Warning	39	47528	2	Spring, Seat
10	43003	1	Decal, Gravely Logo	40	35642	1	Adjuster, Seat
11	44074	1	Decal, Side Stripe L.H. and R.H.	41	190254	2	Nut, Lock 10-24
12	120518	4	Bolt, 1/4-20x.75 Rd Hd Sq Nk	42	35641	1	Adjuster, Seat w/Latch
13	419454	11	Nut, Lock 1/4-20	43	39063	1	Handle, Seat Slide
14	39070	2	Ring, Headlight Retainer	44	43192	1	Tip, Lever
15	45207	2	Screw, 1/4-20x.50 Self-Tapping	45	159929	2	Screw, Machine 10-24x.625 PHD
16	422845	4	Washer, Flat .281x.625x.065	46	35670	8	Spacer
17	180022	4	Bolt, Hex 1/4-20x1.00	47	180081	4	Bolt, Hex 5/16-18x1.25
18	38673	1	Bezel, Headlight	48	40454	1	Weldment, Seat Pan
19	38671	1	Panel, Headlight Lense			(12 HP)	
20	190254	4	Nut, Lock 10-24		40453	1	Weldment, Seat Pan Notched
21	159947	4	Screw, Machine 10-24x.75 PHD			(16,18 & 20 HP)	
22	39831	1	Castings, Grille	49	17837	2	Reflector, Red Safety
23	38672	1	Panel, Headlight Reflector	50	44077	1	Decal, Gravely Logo
24	456004	8	Nut, Lock 3/8-16	51	24996	1	Strap, Fender Hold-Up
25	35518	2	Grommet	52	121223	1	Pin, Cotter .06x.75
26	120388	6	Washer, Flat .438x1.000x.083	53	24815	2	Bushing, Rear Fender
27	39047	1	Hinge, Hood L.H.	54	120394	2	Washer, Flat .406x.812x.065
	39049	1	Hinge, Hood R.H.	55	18420	1	Pin, Clevis .250x.406
28	36849	2	Spacer				

REAR HITCH



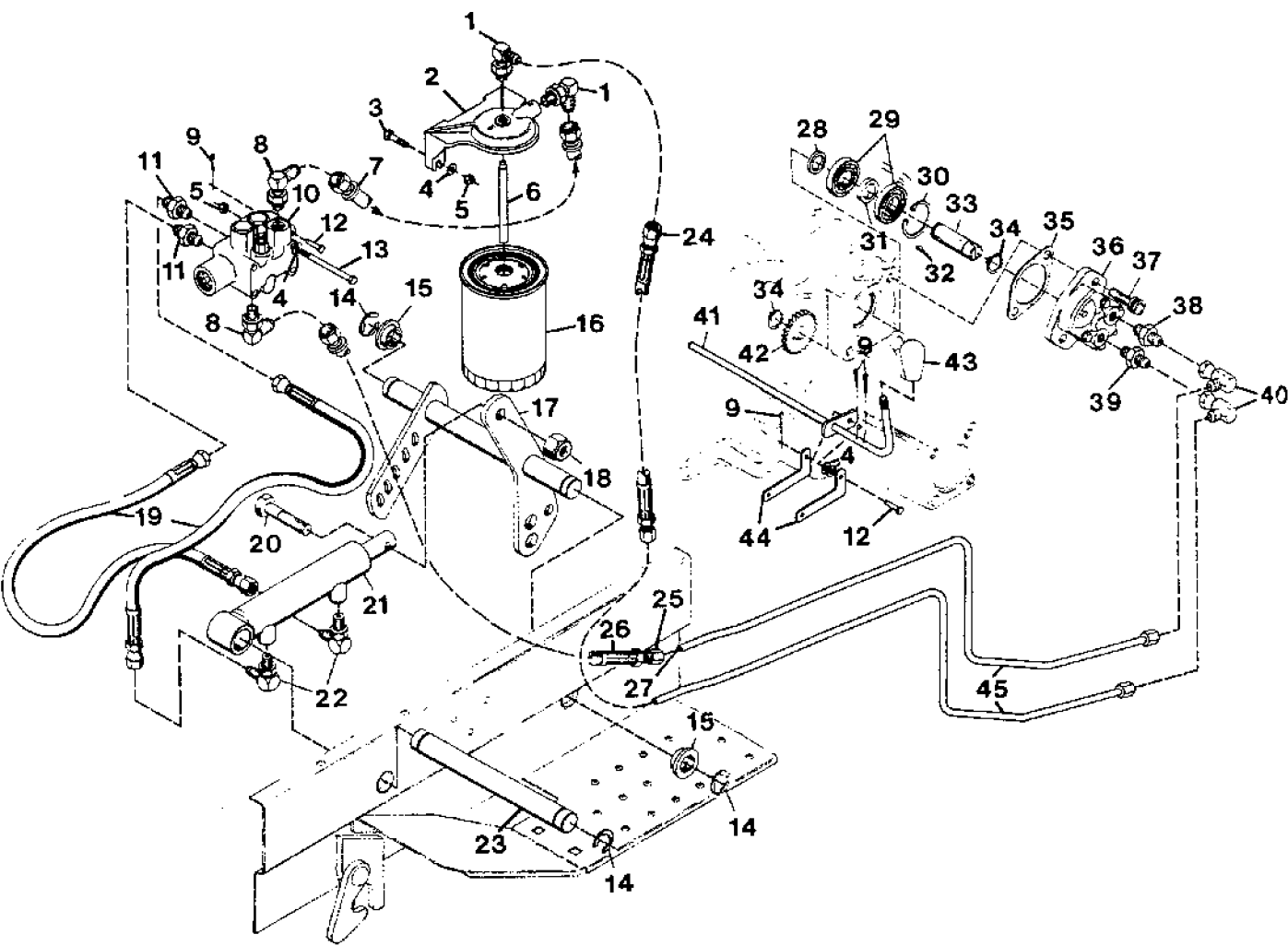
ITEM NO.	PART NO.	QTY.	DESCRIPTION	ITEM NO.	PART NO.	QTY.	DESCRIPTION
1	47561	1	Guard, Engine	4	435507	8	Nut, Lock 1/2-13
2	19517	1	Plate, Hitch	5	47529	2	Arm, Rear Hitch
3	180179	8	Bolt, Hex 1/2-13x1.75				

FRONT AND REAR WHEELS



ITEM NO.	PART NO.	QTY.	DESCRIPTION	ITEM NO.	PART NO.	QTY.	DESCRIPTION
1	187184	2	Key, Woodruff .250x2.125 Soft	10	423315	4	Washer, Flat .813x1.37x.100
2	40304	2	Hub, Tapered 4-Wheel	11	18448	2	Spacer
3	131000	2	Washer, Flat .813x2.0x.148	12	18447	1	Seal, Oil
4	456007	2	Nut, Lock 3/4-10	13	18446	2	Bearing, Cone LM 11949
5	48537	2	Asm, Rear Wheel 23x8.50-12	14	18445	2	Bearing, Cup LM 11910
	21499	1	Asm, Wheel R.H. 23x8.5-12 SGT	15	48923	1	Tire, Front 16x6.50-8
	22216	1	Asm, Wheel L.H. 23x8.5-12 SGT		46036	1	Tire, Front 16x7.50-8
6	48540	2	Asm, Rear Wheel 23x10.50-12	16	48925	1	Rim, Front Wheel Assembly
	48920	1	Tire, Rear 23x8.50-12	17	18442	2	Assembly, Front Wheel 16x6.50-8
	21500	1	Tire, Super Terra 23x8.50-12		31425	2	Assembly, Front Wheel 16x7.50-8
	48921	1	Tire, Rear 23x10.50-12	18	131016	2	Washer, Flat .656x1.312x.095
7	48922	1	Rim, Weldment	19	418692	2	Nut, Lock 5/8-11
8	12744	10	Bolt, Hub 7/16-20x.75 (Special)	20	18449	2	Cap
9	11191	2	Assembly, Valve Stem				

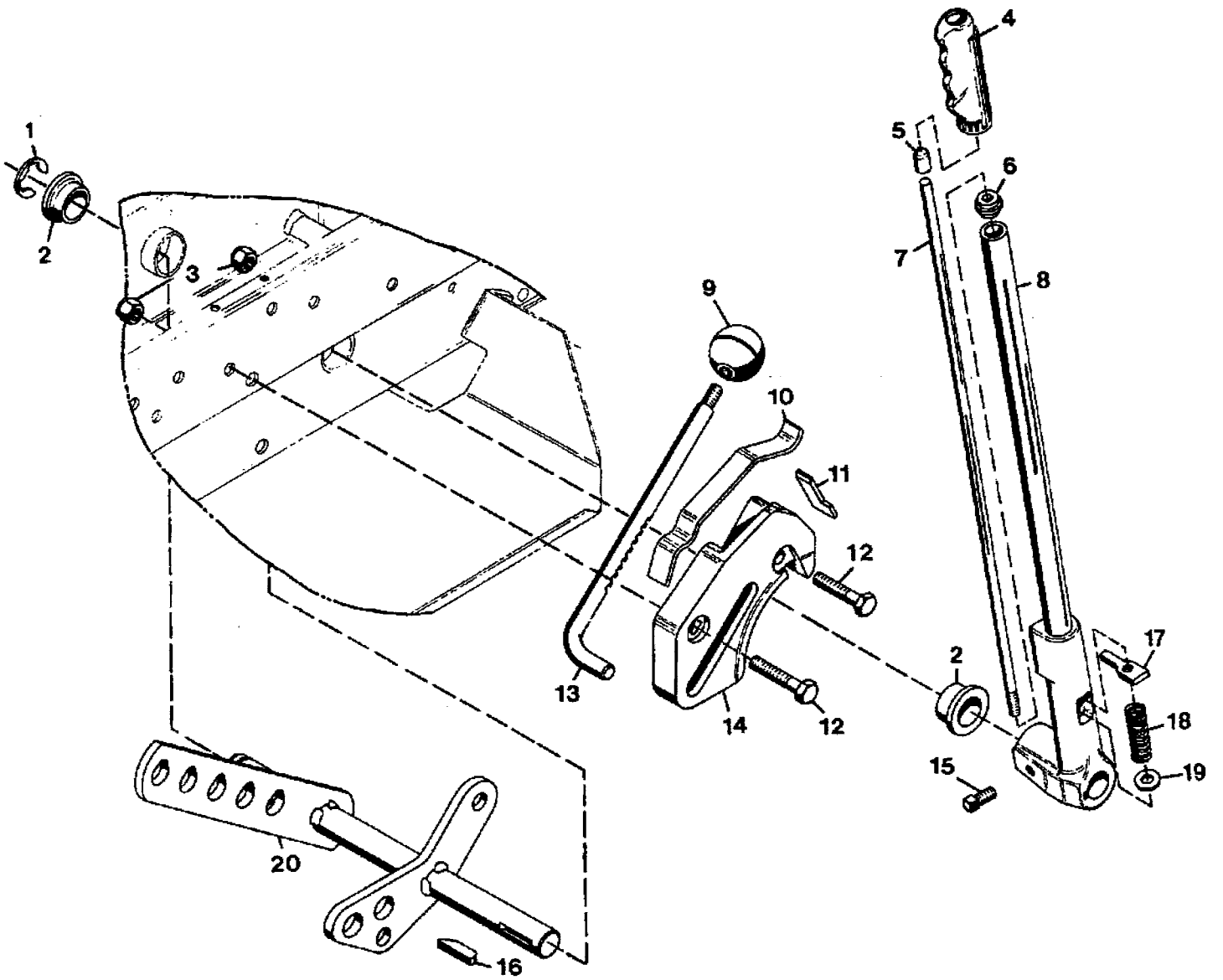
HYDRUALIC SYSTEM



HYDRUALIC SYSTEM

ITEM NO.	PART NO.	QTY.	DESCRIPTION	ITEM NO.	PART NO.	QTY.	DESCRIPTION
1	40723	2	Adapter	24	39849	1	Hose, Hydraulic
2	40259	1	Bracket, Oil Filter	25	40823	2	Nut, Female Flareless
3	180022	2	Bolt, Hex 1/4-20x1.00	26	39848	1	Hose, Hydraulic Pump to Valve
4	120392	8	Washer, Flat .281x.625x.065	27	40824	2	Sleeve, Female Flareless
5	419454	6	Nut, Lock 1/4-20	28	18807	1	Spacer, .620x.750x.276
6	40260	1	Tube, Oil Pick-Up	29	12626	2	Bearing, Ball .590x1.378x.433
7	39847	1	Hose, Hydraulic Valve to Tank	30	18799	1	Ring, Retaining 1.378 Bore
8	18828	2	Adaptor (P-H #2503-6-6)	31	18798	1	Spacer, .620x.750x.364
9	121222	4	Pin, Cotter .094x.75	32	271089	1	Key, Woodruff .125x.375 Hard
10	18825	1	Valve, Hydraulic	33	18797	1	Shaft, Hydraulic Pump
11	21286	2	Adaptor (P-H #0503-4-4)	34	18809	2	Ring, Retaining .594 Shaft
12	40970	2	Pin, Clevis	35	18422	1	Gasket, Cover Plate
13	180050	4	Bolt, Hex 1/4-20x2.75	36	18813	1	Pump, Hydraulic
14	11112	4	E-Ring, 1.000 Shaft	37	426370	2	Screw, Cap 3/8-16 Hex Socket HD
15	18355	2	Bushing, Pivot	38	23206	1	Adaptor
16	40172	1	Filter, Spin-On	39	18817	1	Adaptor (P-H #0503-10-6)
17	18822	1	Weldment, Lift Lever Shaft	40	18818	2	Adaptor (P-H #3903-6-6)
18	414074	1	Nut, Lock 1/2-13	41	41239	1	Weldment, Hydraulic Control Rod
19	18845	2	Hose, Hydraulic 14.5	42	18808	1	Gear, Hydraulic Pump
20	180181	1	Bolt, Hex 1/2-13x2.00	43	32659	1	Knob, PTO
21	31284	1	Cylinder, Hydraulic	44	41237	2	Rod, Hydraulic Control
22	18826	2	Adaptor (P-H #2503-4-4)	45	39838	2	Line, Hydraulic In
23	18830	1	Shaft, Hydraulic Cylinder				

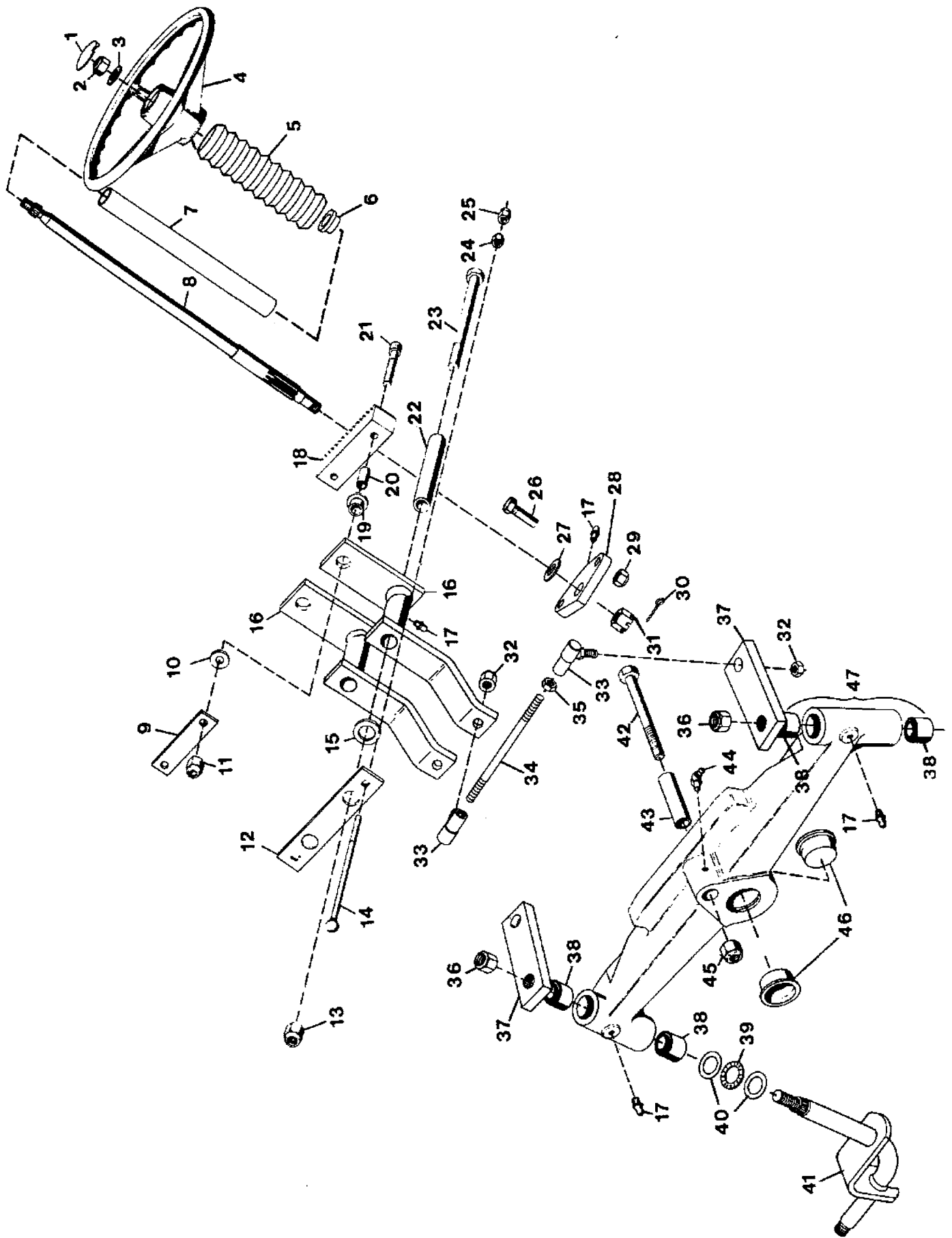
MANUAL LIFT



MANUAL LIFT

ITEM NO.	PART NO.	QTY.	DESCRIPTION	ITEM NO.	PART NO.	QTY.	DESCRIPTION
1	11112	1	E-Ring, 1.000 Shaft	11	11106	1	Stop, Lever
2	18355	2	Bushing, Pivot	12	180124	2	Bolt, Hex 3/8-16x1.25
3	456004	2	Nut, Lock 3/8-16	13	18732	1	Rod, Lever Stop
4	11119	1	Grip, Flex	14	11103	1	Casting, Locator
5	19367	1	Tip, Push Rod	15	102593	1	Screw, Set 3/8-16x.50 HSCP
6	11117	1	Guide, Push Rod	16	187184	1	Key, Woodruff .250x2.125 Soft
7	11118	1	Rod, Lever Push	17	11116	1	Pawl, Lever
8	11113	1	Assembly, Lever Lift	18	10682	1	Spring, Comp. 2x.720x15.5 lb/in
9	10670	1	Knob, Control	19	11670	1	Washer, Special Flat .45x.99x.10
10	11105	1	Spring, Stop	20	18404	1	Shaft, Lift Lever Weldment

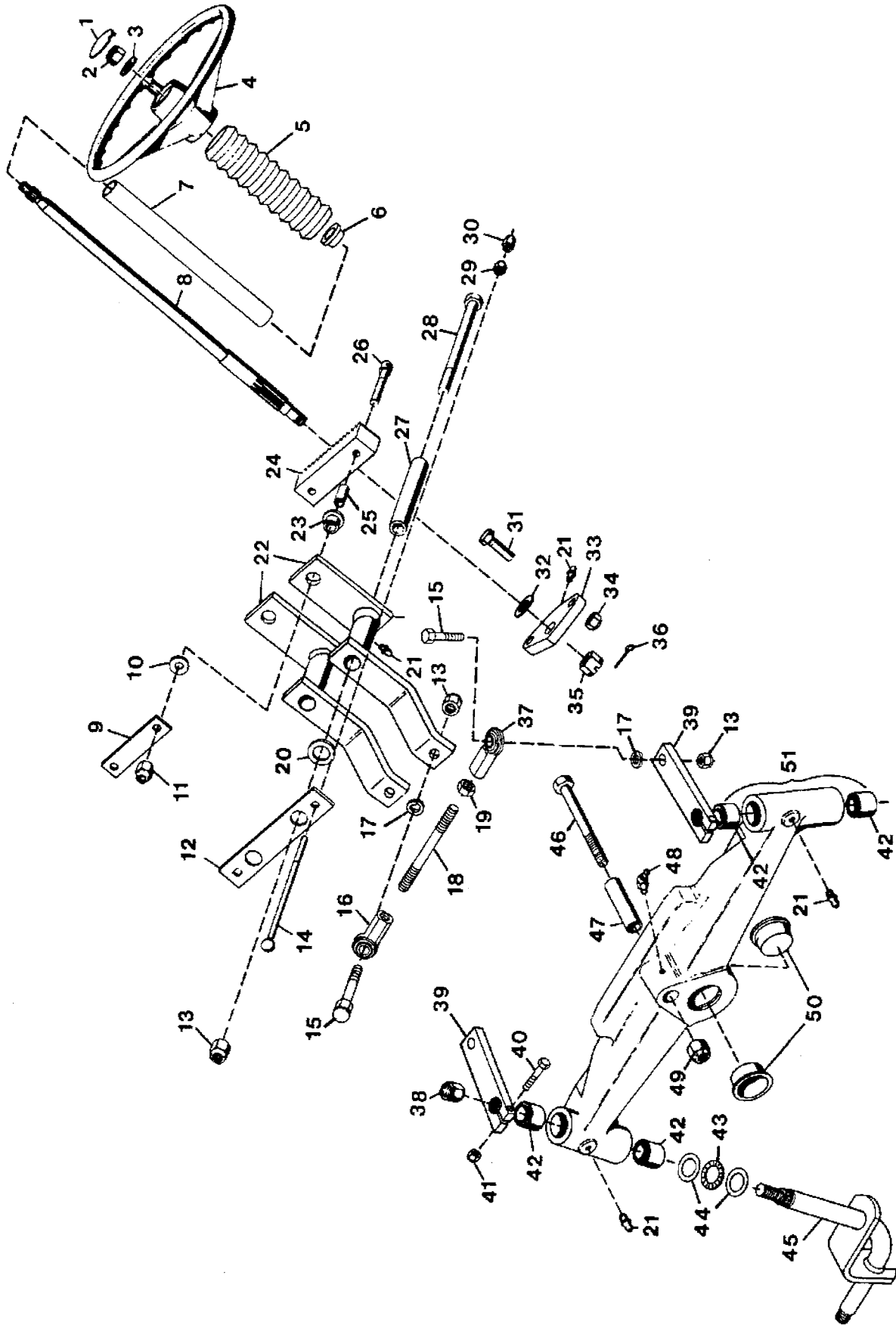
STEERING - 12 H.P. AND 16 H.P. UNITS



STEERING - 12 H.P. AND 16 H.P. UNITS

ITEM NO.	PART NO.	QTY.	DESCRIPTION	ITEM NO.	PART NO.	QTY.	DESCRIPTION
1	31426	1	Cap, Steering Wheel	24	120376	2	Nut, Hex 5/16-18
2	124847	1	Nut, Jam 5/8-11 Hex	25	419455	2	Nut, Lock 5/16-18
3	131016	1	Washer, Flat .656x1.312x.095	26	180149	2	Bolt, Hex 7/16-14x1.5
4	24490	1	Wheel, Steering 8122	27	35344	1	Race, Thrust
	31281	1	Wheel, Steering 8123 and 8163-B	28	35064	1	Support, Steering Shaft
5	47311	1	Bellows, Steering Wheel	29	39413	2	Nut, Lock 7/16-14
6	10174	1	Bushing, Nylon .760x1.00x.60 Flg	30	121224	1	Pin, Cotter .09x1.00
7	40984	1	Tube, Plastic 1.0 I.D.	31	121592	1	Nut, Hex 1/2-13 Slotted
8	47530	1	Shaft, Steering	32	192481	4	Nut, Lock 3/8-24
9	21246	1	Strap, Rack and Pinion	33	21084	4	Ball Joint, Steering
10	446470	2	Washer, Flat .375x1.125x.065	34	40630	2	Rod, Steering
11	456004	2	Nut, Lock 3/8-16	35	120369	4	Nut, Hex 3/8-24
12	21079	1	Plate, Adjustment	36	124589	2	Nut, Hex 5/8-11
13	435507	2	Nut, Lock 1/2-13	37	40126	2	Arm, Tie Rod Axle
14	34074	2	Bolt, 5/16-18x5.5 Rd Hd Sq Nk	38	23241	4	Bushing, .877x1.004x1.0
15	14998	2	Race, Brg Thrust .752x1.240x.095	39	21543	2	Bearing, Needle Thrust
16	40130	2	Weldment, Steering	40	21541	4	Race, Bearing Thrust
17	411027	5	Fitting, Lube 1/4-28	41	18463	2	Weldment, King Pin
18	21075	1	Gear, Rack	42	271781	1	Bolt, Hex 3/4-10x4.5
19	21077	2	Bearing, Flange (P/M Bronze)	43	23237	1	Tube, Axle Pivot
20	21076	2	Bushing, .391x.622x.670	44	411031	1	Fitting, Lube 45 Deg.
21	454473	2	Screw, Cap 3/8-16x2.0 HSHD	45	456007	1	Nut, Lock 3/4-10
22	21078	2	Sleeve, Pivot	46	18785	2	Cap, Front Axle
23	443734	2	Bolt, Hex 1/2-13x6.0	47	45400	1	Axle, Steering

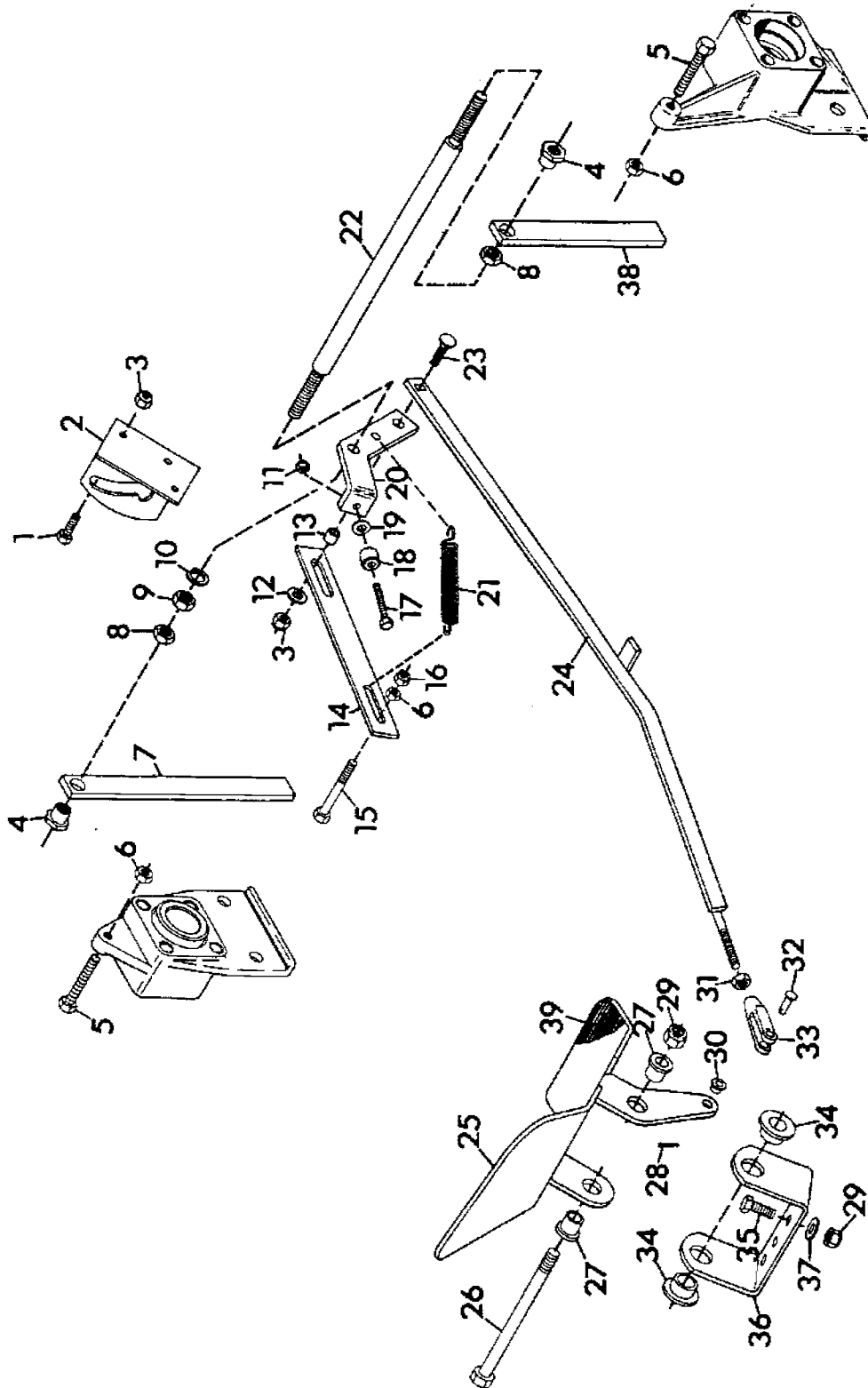
STEERING - 18 H.P. AND 20 H.P. UNITS



STEERING - 18 H.P. AND 20 H.P. UNITS

ITEM NO.	PART NO.	QTY.	DESCRIPTION	ITEM NO.	PART NO.	QTY.	DESCRIPTION
1	31426	1	Cap, Steering Wheel	27	21078	2	Sleeve, Pivot
2	124847	1	Nut, Jam 5/8-11 Hex	28	443734	2	Bolt, Hex 1/2-13x6.0
3	131016	1	Washer, Flat .656x1.312x.095	29	120376	2	Nut, Hex 5/16-18
4	31281	1	Wheel, Steering	30	419455	2	Nut, Lock 5/16-18
5	47311	1	Bellows, Steering Wheel	31	180149	2	Bolt, Hex 7/16-14x1.5
6	10174	1	Bushing, Nylon .760x1.00x.60 Fig	32	35344	1	Race, Thrust
7	40984	1	Tube, Plastic 1.0 I.D.	33	35064	1	Support, Steering Shaft
8	47530	1	Shaft, Steering	34	39413	2	Nut, Lock 7/16-14
9	21246	1	Strap, Rack and Pinion	35	121592	1	Nut, Hex 1/2-13 Slotted
10	446470	2	Washer, Flat .375x1.125x.065	36	121224	1	Pin, Cotter .09x1.00
11	456004	2	Nut, Lock 3/8-16	37	44941	2	Rod End, Steering R.H.
12	21079	1	Plate, Adjustment	38	124589	2	Nut, Hex 5/8-11
13	435507	6	Nut, Lock 1/2-13	39	44939	2	Arm, Tie Rod Axle
14	34074	2	Bolt, 5/16-18x5.5 Rd Hd Sq Nk	40	181618	2	Bolt, Hex 5/16-24x1.75
15	180181	4	Bolt, Hex 1/2-13x2.00	41	190139	2	Nut, Lock 5/16-24
16	44942	2	Rod End, Steering L.H.	42	23241	4	Bushing, .877x1.004x1.0
17	120384	4	Washer, Lock 1/2 Reg.	43	21543	2	Bearing, Needle Thrust
18	44940	2	Tie Rod, Steering	44	21541	4	Race, Bearing Thrust
19	124934	2	Nut, Jam 1/2-20	45	18463	2	Weldment, King Pin
20	14998	2	Race, Brg Thrust .752x1.240x.095	46	271781	1	Bolt, Hex 3/4-10x4.5
21	411027	5	Fitting, Lube 1/4-28	47	23237	1	Tube, Axle Pivot
22	45643	2	Weldment, Steering Arm	48	411031	1	Fitting, Lube 45 Deg.
23	21077	2	Bearing, Flange (P/M Bronze)	49	456007	1	Nut, Lock 3/4-10
24	21075	1	Gear, Rack	50	18785	2	Cap, Front Axle
25	21076	2	Bushing, .391x.622x.670	51	45400	1	Axle, Steering
26	454473	2	Screw, Cap 3/8-16x2.0 HSHD				

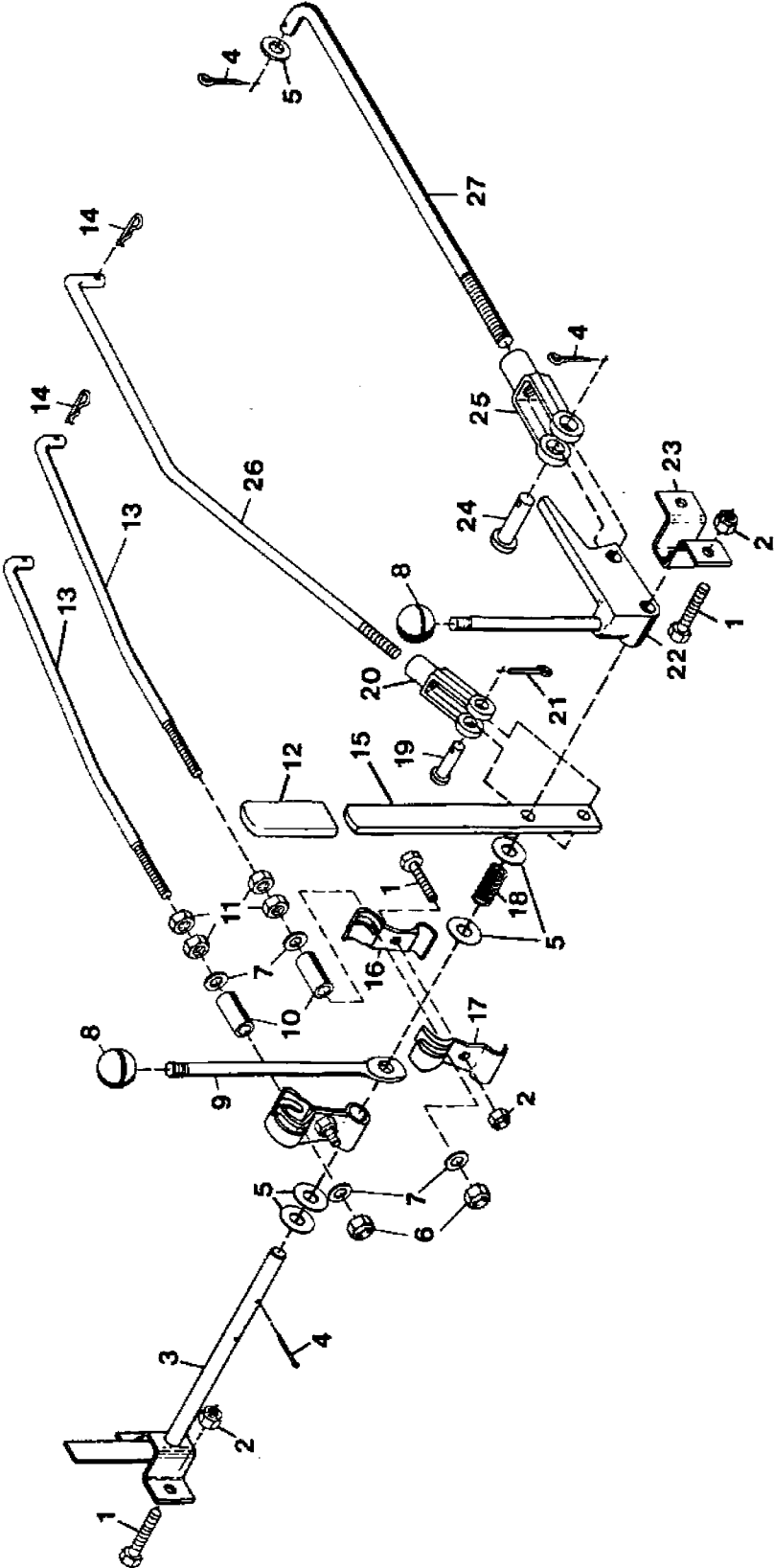
DIRECTION CONTROL



DIRECTION CONTROL

ITEM NO.	PART NO.	QTY.	DESCRIPTION	ITEM NO.	PART NO.	QTY.	DESCRIPTION
1	180079	2	Bolt, Hex 5/16-18x1.00	21	39844	1	Spring, Neutral Detent
2	46065	1	Weldment, Fwd-Rev Actuating	22	39840	1	Rod, Fwd-Rev Slide
3	419455	3	Nut, Lock 5/16-18	23	120230	1	Bolt, 5/16-18x1.25 Rd Hd Sq Nk
4	40305	2	Bushing, Fwd-Rev Slide Rod	24	45098	1	Weldment, Fwd-Rev Shifter
5	44609	2	Bolt, Hex 3/8-16x2.50	25	45090	1	Pedal, Foot Clutch
6	120377	3	Nut, Hex 3/8-16	26	189315	1	Bolt, Hex 1/2-13x6.50
7	43789	1	Spring, Reverse Clutch	27	34738	2	Bushing, .513x.750x.625
8	120238	2	Nut, Jam 1/2-13 Hex	28	121222	1	Pin, Cotter .09x.75
9	120378	1	Nut, Hex 1/2-13	29	435507	3	Nut, Lock 1/2-13
10	131101	1	Washer, Lock 1/2 SP Heavy	30	45789	1	Bushing, Nylon .32x.437x.248
11	454750	1	Nut, Lock 1/4-28	31	120368	1	Nut, Hex 5/16-24
12	446354	1	Washer, Flat .313x.875x.065	32	121741	1	Pin, Clevis 5/16x.812
13	40360	1	Bushing, Fwd-Rev Linkage	33	34633	1	Yoke
14	39843	1	Strap, Neutral Detent	34	10174	2	Bushing, Nylon .76x1.00x.76 Flg
15	180138	1	Bolt, Hex 3/8-16x3.00	35	180175	2	Bolt, Hex 1/2-13x1.25
16	456004	1	Nut, Lock 3/8-16	36	45094	1	Bracket, Clutch Pedal Pivot
17	40811	1	Bolt, Hex 1/4-28x1.38 Gr. 8	37	415543	2	Washer, Flat .531x1.250x.100
18	39842	1	Roller, Clutch Cam	38	34715	1	Spring, Fwd-Rev Clutch
19	120392	1	Washer, Flat .281x.625x.065	39	46043	1	Pad
20	39841	1	Arm, Fwd-Rev Clutch Roll				

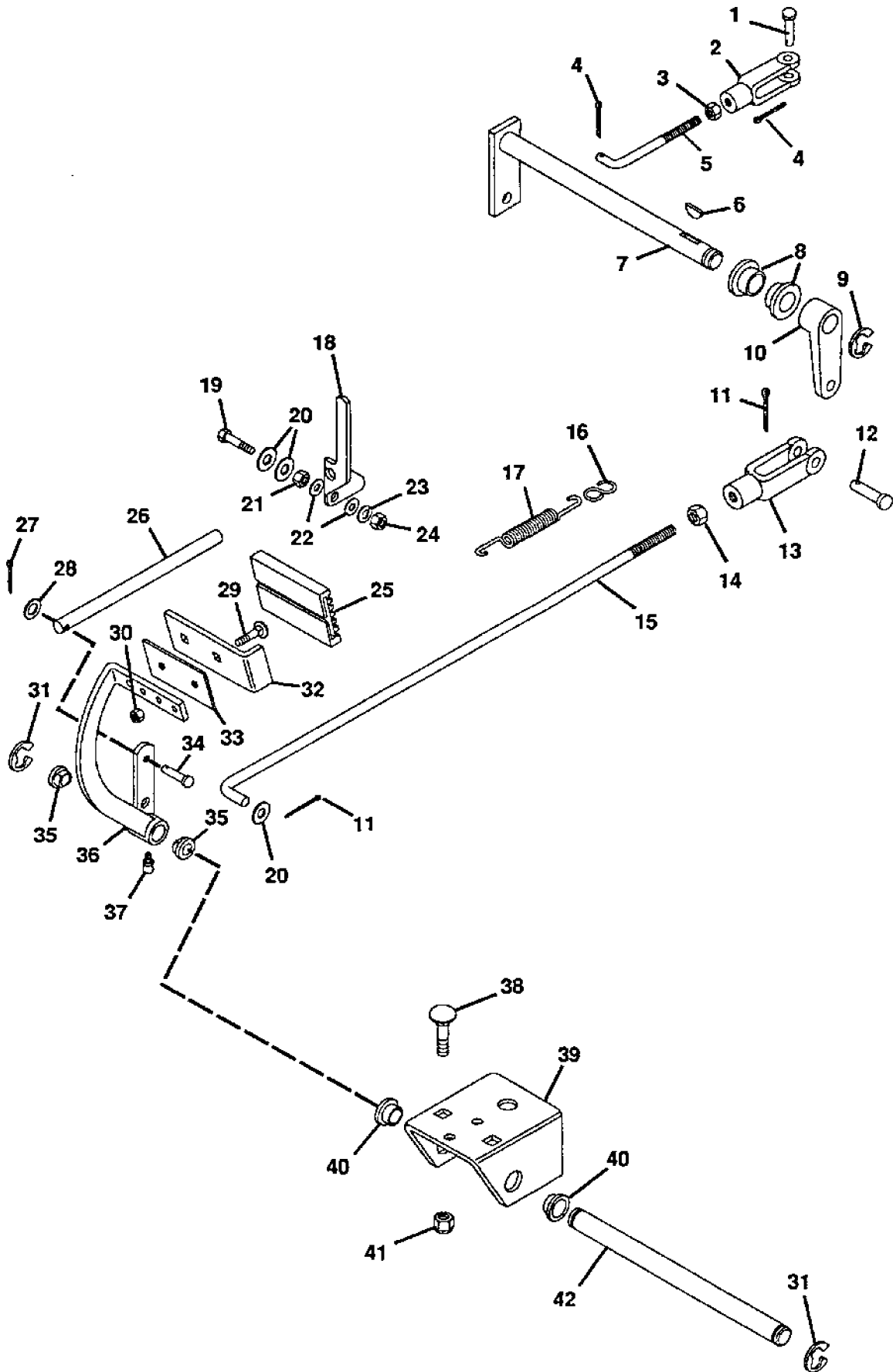
TRANSMISSION CONTROLS



TRANSMISSION CONTROLS

ITEM NO.	PART NO.	QTY.	DESCRIPTION	ITEM NO.	PART NO.	QTY.	DESCRIPTION
1	180077	6	Bolt, Hex 5/16-18x.75	15	33990	1	Lever, Hi-Lo Shift
2	419455	6	Nut, Lock 5/16-18	16	33988	2	Arm, Shifter R.H.
3	33995	1	Weldment, Cross Shaft	17	33989	2	Arm, Shifter L.H.
4	137185	4	Pin, Cotter .12x1.0	18	18372	1	Spring, Compression
5	120396	5	Washer, Flat .531x1.06x.095	19	138078	1	Pin, Clevis .375x.948
6	456004	2	Nut, Lock 3/8-16	20	18380	1	Clevis, 3/8-24 Adjustable
7	120388	4	Washer, Flat .438x1.00x.083	21	121222	1	Pin, Cotter .09x.75
8	10670	2	Knob, Control	22	34065	1	Assembly, PTO Control
9	18371	1	Lever, Shift	23	11096	1	Bracket, Cross Shaft
10	33986	2	Bushing, .400x.500x1.65	24	138086	1	Pin, Clevis .500x1.213
11	124829	4	Nut, Jam 3/8-16	25	18387	1	Yoke, 1/2-20 Adjustable
12	34067	1	Grip, Handle	26	40143	1	Rod, 2-Speed
13	33994	2	Rod, Shift	27	18386	1	Rod, PTO
14	11860	3	Pin, Cotter Hair				

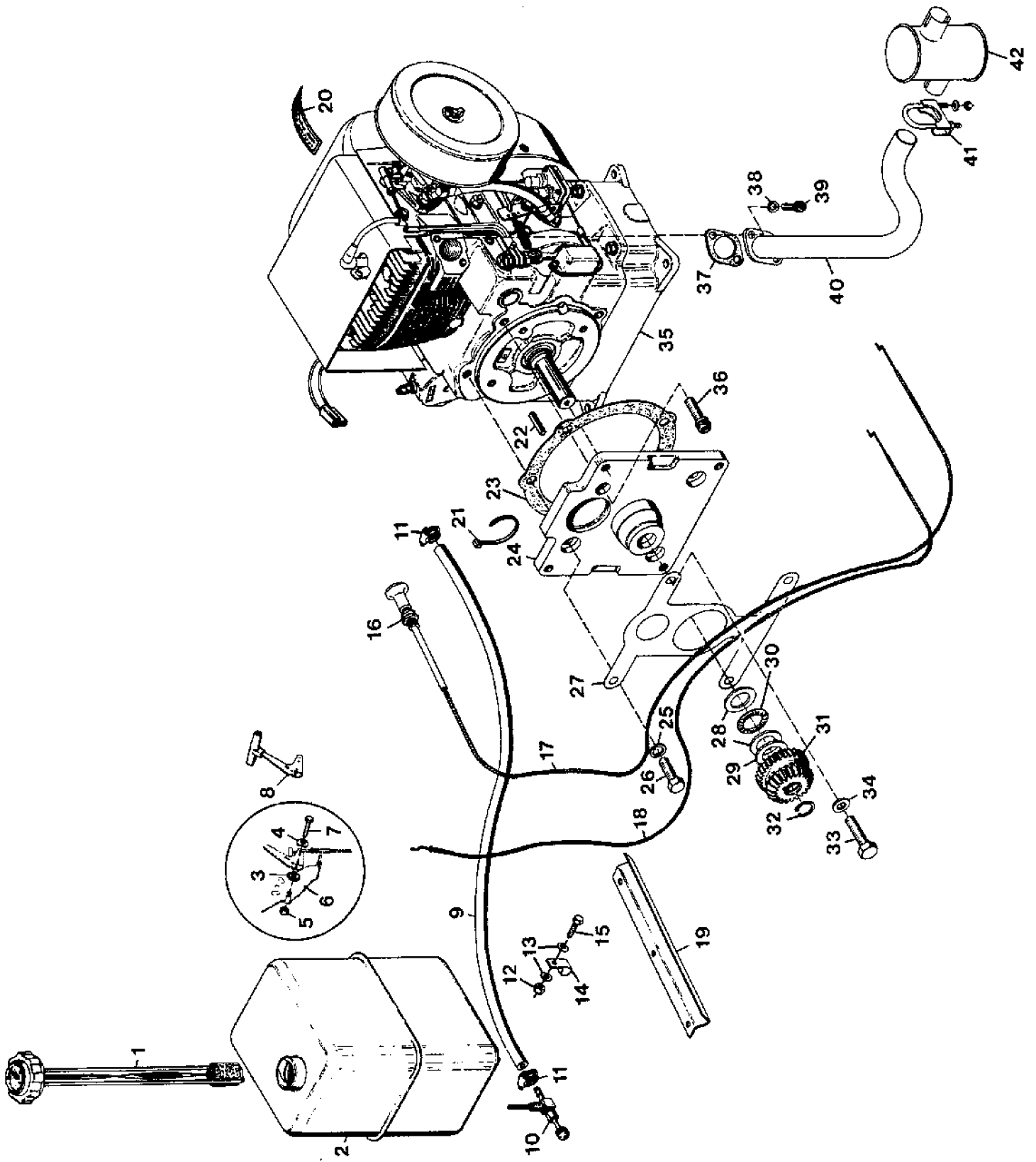
BRAKE LINKAGE



BRAKE LINKAGE

ITEM NO.	PART NO.	QTY.	DESCRIPTION	ITEM NO.	PART NO.	QTY.	DESCRIPTION
1	121741	1	Pin, Clevis 5/16x.812	22	20775	2	Washer, Nylon .375x.75x.06
2	34633	1	Yoke	23	120382	1	Washer, Lock 3/8
3	120368	1	Nut, Hex 5/16-24	24	413534	1	Nut, Lock 3/8-16
4	121222	2	Pin, Cotter .09x.75	25	41944	1	Pad, Pedal
5	45109	1	Rod, Parking Brake	26	46064	1	Rod
6	124549	1	Key, Woodruff .187x.75 Hrd #9	27	121223	1	Pin, Cotter .06x.75
7	45104	1	Weldment, Brake Cross Shaft	28	120392	1	Washer, Flat .281x.625x.065
8	10174	2	Bushing, Nylon .76x1.00x.76 Flg	29	126325	2	Bolt, Carriage 1/4-20x1.25
9	11270	1	E-Ring,.750 Shaft	30	419454	2	Nut, Lock 1/4-20
10	18019	1	Lever, PTO	31	18053	2	E-Ring, .625 Shaft
11	177923	2	Pin, Cotter .125x.75	32	45518	1	Pedal, Brake
12	138078	1	Pin, Clevis .375x.948	33	41921	1	Plate, Brake
13	18380	1	Clevis, 3/8-24 Adjustable	34	45918	1	Pin, Clevis .25x1.03
14	124925	1	Nut, Jam 3/8-24	35	26428	2	Bearing
15	45102	1	Rod, Brake	36	45215	1	Weldment, Brake Pedal
16	11329	1	Clip, Spring	37	411027	1	Fitting, Lube 1/4-28
17	11263	1	Spring, Ext. 5.50x.50x20 Rate	38	126227	2	Bolt, Carriage 3/8-16x.75
18	20772	1	Arm, Parking Brake Lock	39	45222	1	Bracket, Brake Pedal
19	180124	1	Bolt, Hex 3/8-16x1.25	40	45787	2	Bushing, Nylon .63x.873x.50
20	120394	3	Washer, Flat .406x.812x.065	41	456004	2	Nut, Lock 3/8-16
21	124829	1	Nut, Jam 3/8-16 Hex	42	45221	1	Shaft, Brake Pedal Mounting

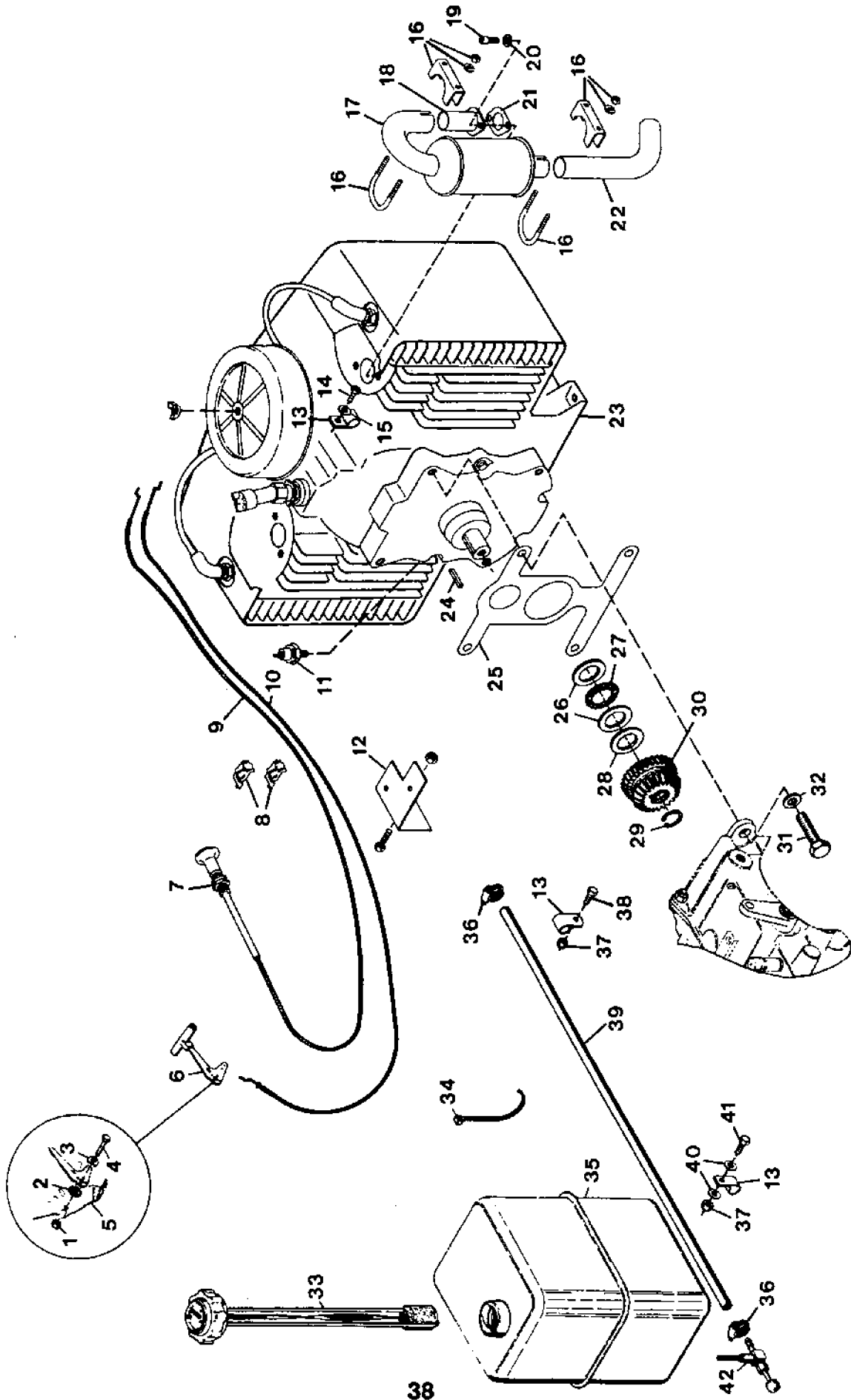
FUEL AND EXHAUST SYSTEM - 12 H.P. UNITS



FUEL AND EXHAUST SYSTEM - 12 H.P. UNITS

ITEM NO.	PART NO.	QTY.	DESCRIPTION	ITEM NO.	PART NO.	QTY.	DESCRIPTION
1	21415	1	Gauge, Gas	23	18340	1	Gasket, Adaptor
2	40620	1	Tank, Fuel	24	40776	1	Adaptor, Engine
3	11772	1	Washer, Friction	25	131100	3	Washer, Lock 7/16 SP Heavy
4	11774	1	Washer, Spring	26	180146	3	Bolt, Hex 7/16-14x1.125
5	416430	1	Nut, Lock 1/4-28	27	47592	1	Gasket, Engine to Transmission
6	11770	1	Bracket, Mounting	28	40758	2	Race, Brg 1.125x1.75x.123/.126
7	181566	1	Bolt, Hex 1/4-28x.75	29	47560	1	Shim, 1.125x1.750x.030
8	11773	1	Assembly, Knob and Lever	30	18341	1	Bearing, Thrust 1.127x1.740x.078
9	21134	6 ft.	Line, Fuel	31	18343	1	Gear, Spur and Bevel, Input
10	18563	1	Valve, Fuel 90 Deg. Reverse Flow	32	18344	1	Ring, Retaining 1.125 Shaft
11	32045	2	Clamp, Hose	33	180175	4	Bolt, Hex 1/2-13x1.25
12	419455	1	Nut, Lock 5/16-18	34	120384	4	Washer, Lock 1/2 Reg.
13	120393	2	Washer, Flat .344x.688x.065	35	47481	1	Engine, 12 HP Electric 4-Wheel
14	35313	1	Clamp, Nylon	36	421648	1	Screw, Cap 7/16-14x1.0 SHD
15	180079	1	Bolt, Hex 5/16-18x1.00	37	11202	1	Gasket, Exhaust
16	124925	1	Nut, Jam 3/8-24	38	120214	2	Washer, Lock 5/16 Reg.
17	40133	1	Control, Choke	39	421705	2	Screw, Cap 5/16-18x.75 S/Hd
18	20565	1	Assembly, Choke Conduit	40	41973	1	Header, Exhaust
19	32030	1	Shield, Heat	41	14728	1	Clamp, Muffler
20	10862	1	Decal, Air Cleaner Instruction	42	42139	1	Muffler, Exhaust
21	10629	6	Tie, Cable	NS	411893	2	Nut, Lock 10-32
22	18345	1	Key, Square .250x1.250	NS	160046	2	Screw, Machine 10-32x.50 PHD

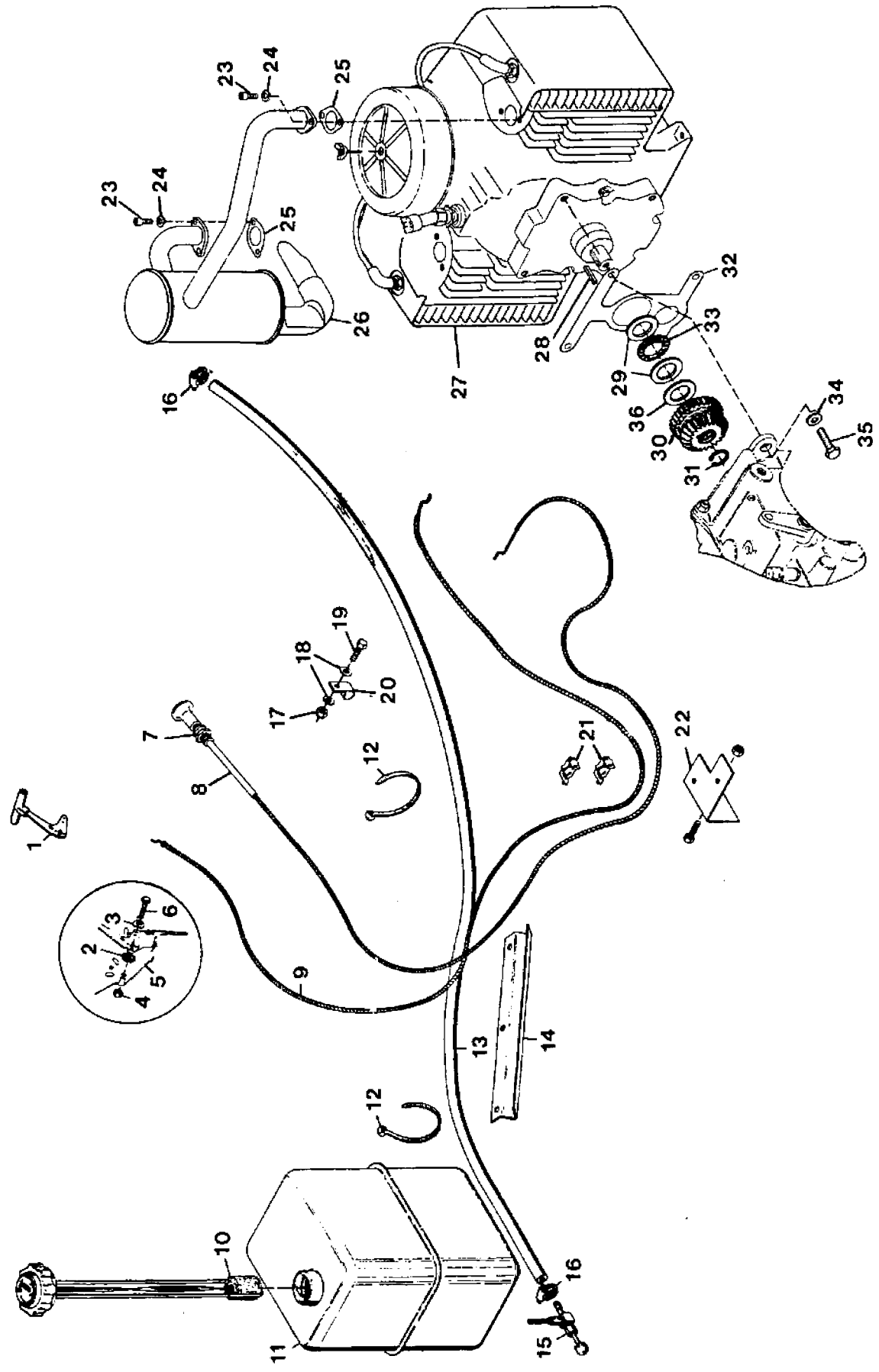
FUEL AND EXHAUST SYSTEM - 16 H.P. UNITS



FUEL AND EXHAUST SYSTEM - 16 H.P. UNITS

ITEM NO.	PART NO.	QTY.	DESCRIPTION	ITEM NO.	PART NO.	QTY.	DESCRIPTION
1	416430	1	Nut, Lock 1/4-28	23	47480	1	Engine, 16 HP Magnum
2	11772	1	Washer, Friction	24	18345	1	Key, Square .250x1.250
3	11774	1	Washer, Spring	25	47592	1	Gasket, Engine to Transmission
4	181566	1	Bolt, Hex 1/4-28x.75	26	40758	2	Race, Brg 1.125x1.750x.123/.126
5	11770	1	Bracket, Mounting	27	18341	1	Bearing, Thrust 1.127x1.740x.078
6	11773	1	Assembly, Knob and Lever	28	47560	1	Shim, 1.125x1.750x.030
7	124925	1	Nut, Jam 3/8-24 Hex	29	18344	1	Ring, Retaining 1.125 Shaft
8	7331	2	Clip, Speed	30	18343	1	Gear, Spur and Bevel, Input
9	39859	1	Control, Choke	31	180179	4	Bolt, Hex 1/2-13x1.75
10	20565	1	Assembly, Choke Conduit	32	120384	4	Washer, Lock 1/2 Reg.
11	41937	1	Switch, Pressure	33	21415	1	Gauge, Gas
12	40448	1	Bracket, Throttle and Choke	34	10629	7	Tie, Cable
13	35313	4	Clamp, Nylon	35	40620	1	Tank, Fuel
14	411890	1	Screw, Tapping 1/4-20x.625 HST	36	32045	2	Clamp, Hose
15	422845	1	Washer, Flat .281x.625x.065	37	419455	3	Nut, Lock 5/16-18
16	14728	4	Clamp, Muffler	38	180077	1	Bolt, Hex 5/16-18x.75
17	41958	2	Muffler	39	21134	6 ft.	Line, Fuel
18	42123	2	Weldment, Header	40	120393	4	Washer, Flat .344x.688x.065
19	421705	4	Screw, Cap 5/16-18x.75 S/Hd	41	180079	2	Bolt, Hex 5/16-18x1.00
20	120214	4	Washer, Lock 5/16-18 Reg.	42	18563	1	Valve, Fuel 90 Deg. Reverse Flow
21	11202	2	Gasket, Exhaust	NS	411893	2	Nut, Lock 10-32
22	41959	2	Extension, Exhaust	NS	160046	2	Screw, Machine 10-32x.50 PHD

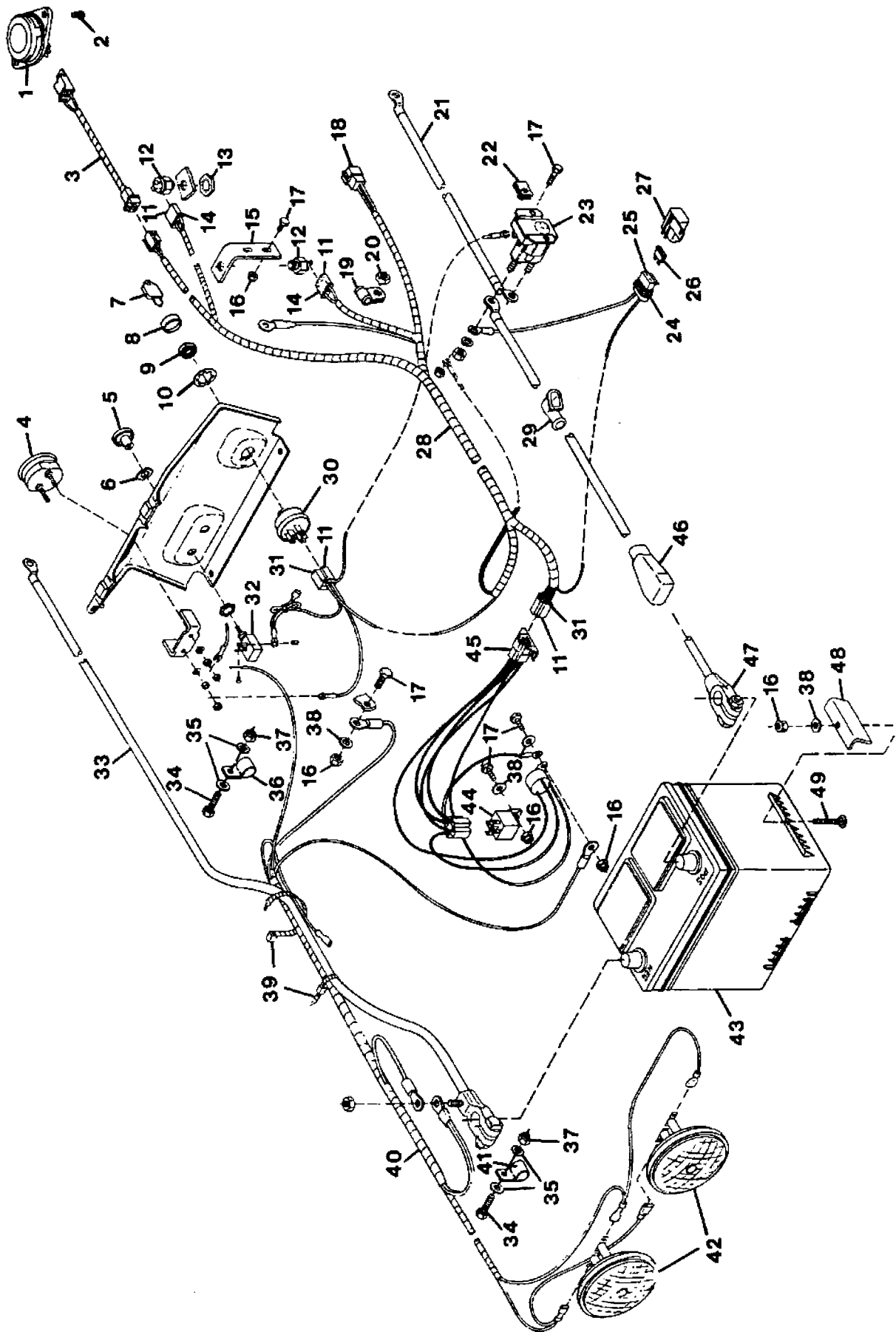
FUEL AND EXHAUST SYSTEM - 18 H.P. AND 20 H.P. UNITS



FUEL AND EXHAUST SYSTEM - 18 H.P. AND 20 H.P. UNITS

ITEM NO.	PART NO.	QTY.	DESCRIPTION	ITEM NO.	PART NO.	QTY.	DESCRIPTION
1	11773	1	Assembly, Knob and Lever	21	7331	2	Clip, Speed
2	11772	1	Washer, Friction	22	40448	1	Bracket, Throttle and Choke
3	11774	1	Washer, Spring	23	421705	4	Screw, Cap 5/16-18x.75 SHD
4	416430	1	Nut, Lock 1/4-28	24	120214	4	Washer, Lock 5/16 Reg.
5	11770	1	Bracket, Mounting	25	11202	2	Gasket, Exhaust
6	181566	1	Bolt, Hex 1/4-28x.75	26	41892	1	Muffler, Exhaust
7	124925	1	Nut, Jam 3/8-24 Hex	27	45527	1	Engine, 18 H.P.
8	39859	1	Control, Choke		45529	1	Engine, 20 H.P.
9	20565	1	Assembly, Choke Conduit	28	18345	1	Key, Square .250x1.250
10	21415	1	Gauge, Gas	29	40758	2	Race, Brg 1.125x1.750x.123/.126
11	40620	1	Tank, Fuel	30	18343	1	Gear, Spur and Bevel, Input
12	10629	6	Tie, Cable	31	18344	1	Ring, Retaining 1.125 Shaft
13	21134	6 ft.	Line, Fuel	32	47592	1	Gasket, Engine to Transmission
14	32030	1	Shield, Heat	33	18341	1	Bearing, Thrust 1.127x1.740x.078
15	18563	1	Valve, Fuel 90 Deg. Reverse Flow	34	120384	4	Washer, Lock 1/2 Reg.
16	32045	2	Clamp, Hose	35	180179	4	Bolt, Hex 1/2-13x1.75
17	419455	1	Nut, Lock 5/16-18	36	47560	1	Shim, 1.125x1.750x.030
18	120393	2	Washer, Flat .343x.688x.065	NS	411893	2	Nut, Lock 10-32
19	180079	1	Bolt, Hex 5/16-18x1.00	NS	160046	2	Screw, Machine 10-32x.50 PHD
20	35313	1	Clamp, Nylon				

ELECTRICAL SYSTEM - 12 H.P. UNITS

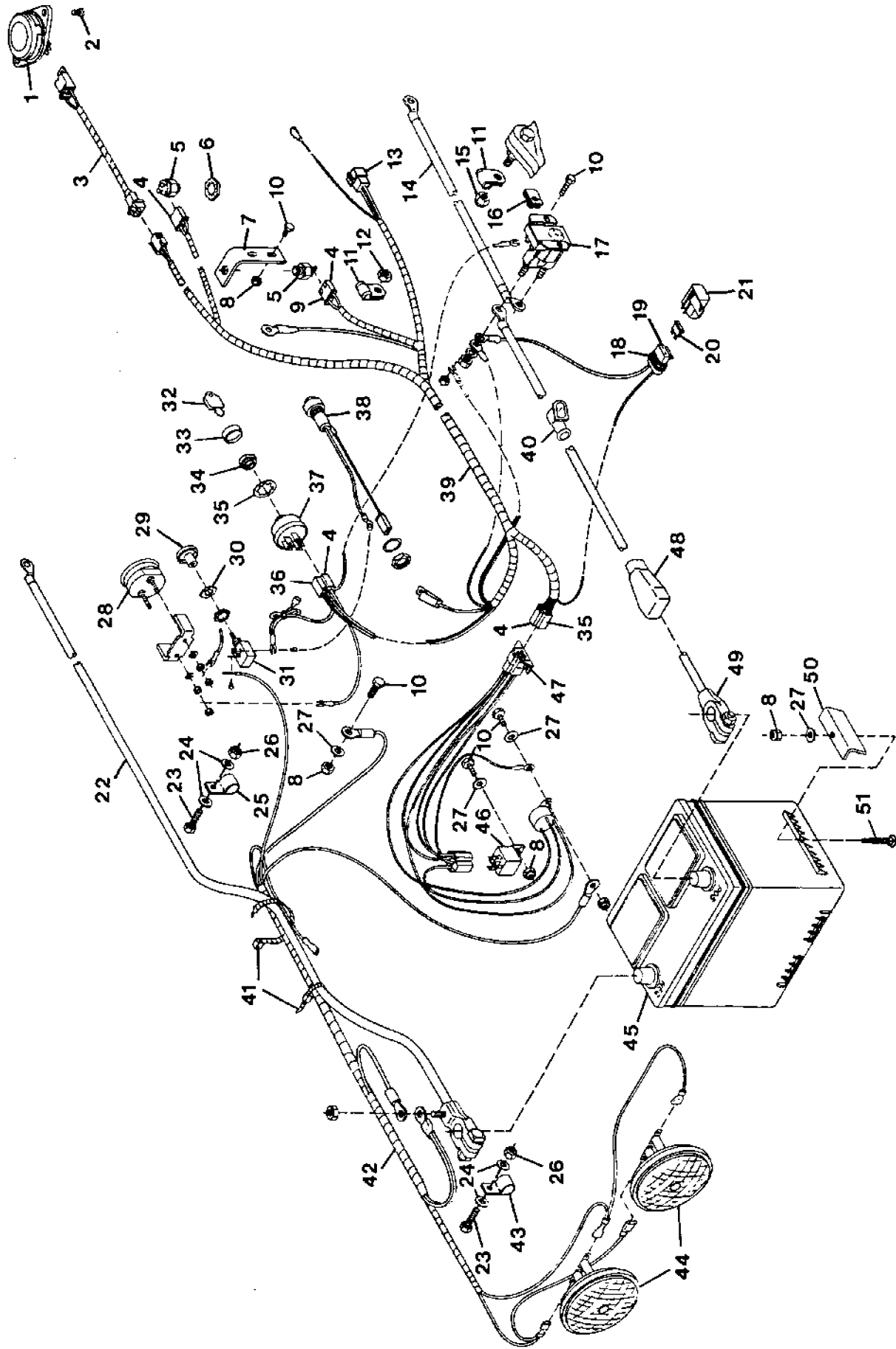


ELECTRICAL SYSTEM - 12 H.P. UNITS

ITEM NO.	PART NO.	QTY.	DESCRIPTION	ITEM NO.	PART NO.	QTY.	DESCRIPTION
1	45036	2	Switch, Seat	26	45037	1	Fuse, 25 Amp
2	160515	2	Screw, Machine 1/4-20	27	45921	1	Cover
3	45601	1	Harness, Wiring Seat Switch	28	45602	1	Harness, Wiring
4	21848	1	Gauge, Ammeter	29	33847	3	Boot, Battery Cable
5	38186	1	Knob, Light Switch	30	19223	1	Switch, Ignition
6	18587	1	Nut, Special Light Switch	31	38058	2	Connector
7	45488	1	Key, Ignition Switch	32	11337	1	Switch, Light
8	45490	1	Boot, 9/16 Switch	33	39871	1	Cable, Negative Battery
9	45489	1	Nut, Jam 9/16-24	34	180079	3	Bolt, Hex 5/16-18x1.00
10	19667	1	Washer, Lock 9/16 Int. Tooth	35	120393	6	Washer, Flat .344x.688x.065
11	38059	16	Terminal	36	41788	1	Clamp, Nylon
12	20916	2	Switch, Interlock	37	419455	3	Nut, Lock 5/16-18
13	107354	1	Nut, Stamped 9/16-18	38	120392	5	Washer, Flat .281x.625x.065
14	42176	2	Connector, 2-Wire Switch	39	10629	6	Tie, Cable
15	20660	1	Bracket, Switch	40	40456	1	Harness, Wiring Ground and Light
16	419454	7	Nut, Lock 1/4-20	41	35313	2	Clamp, Nylon
17	180020	7	Bolt, Hex 1/4-20x.75	42	39069	2	Headlight
18	42289	1	Connector	43	42597	1	Battery, 12 Volt
19	27122	1	Clamp	44	40216	1	Relay
20	413534	1	Nut, Lock 3/8-16	45	40313	1	Module, Time Delay
21	40135	1	Cable, Starter	46	34466	1	Cover, Battery Terminal
22	11676	2	Nut, Speed 1/4-20	47	39861	1	Cable, Battery to Magnetic Switch
23	45071	1	Switch, Magnetic	48	37742	2	Clamp
24	45920	1	Connector	49	126342	2	Bolt, 1/4-20x1.75 Rd Hd Sq Nk
25	45922	2	Terminal, 14-16 Gauge				

NOTE: See the Operator's Manual for Wiring Diagram.

ELECTRICAL SYSTEM - 16 H.P. UNITS

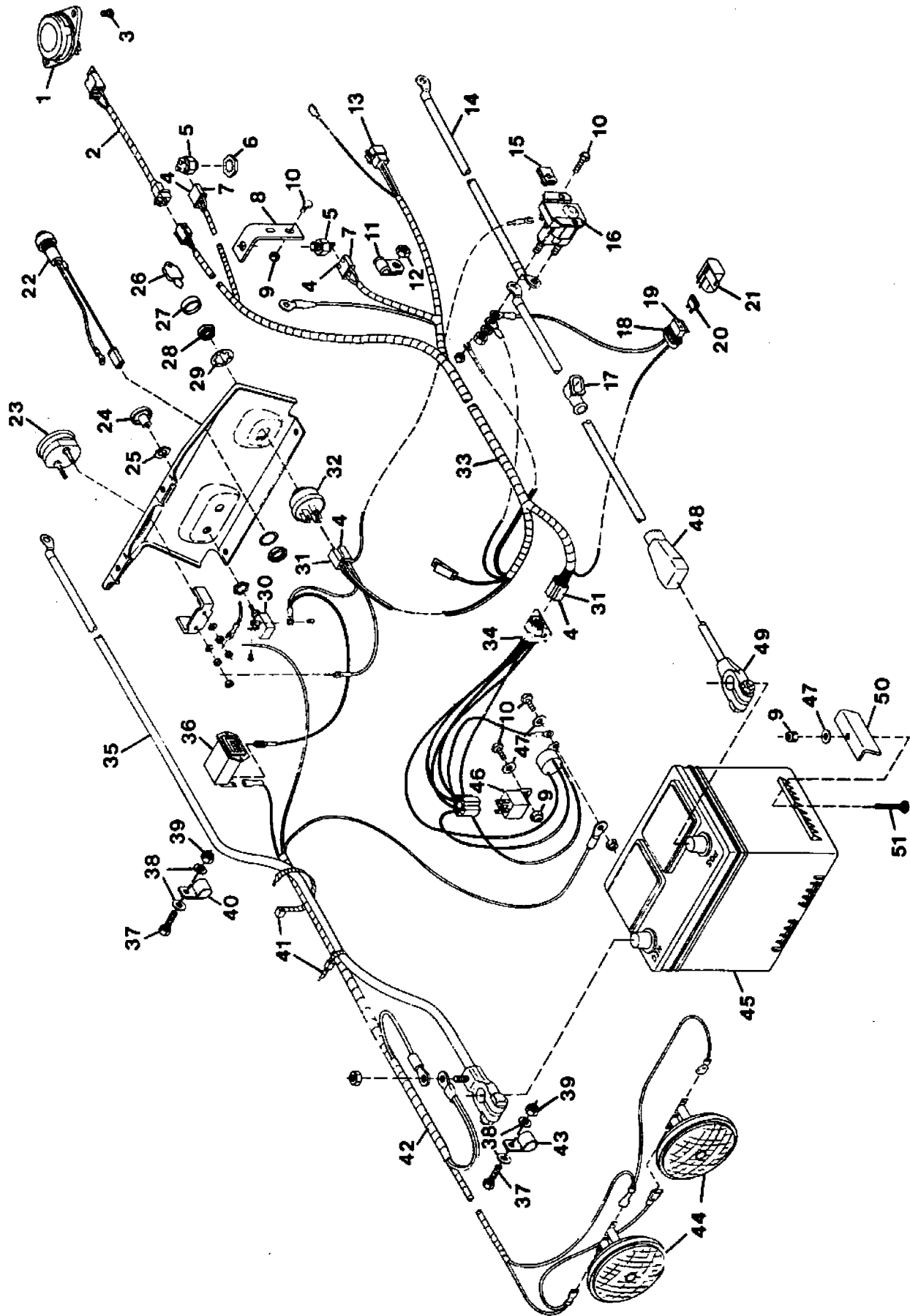


ELECTRICAL SYSTEM - 16 H.P. UNITS

ITEM NO.	PART NO.	QTY.	DESCRIPTION	ITEM NO.	PART NO.	QTY.	DESCRIPTION
1	45036	2	Switch, Seat	27	120392	5	Washer, Flat .281x.625x.065
2	160515	2	Screw, Machine 1/4-20	28	21848	1	Gauge, Ammeter
3	45601	1	Harness, Wiring Seat Switch	29	38186	1	Knob, Light Switch
4	38059	16	Terminal	30	18587	1	Nut, Special Light Switch
5	20916	2	Switch, Interlock	31	11337	1	Switch, Light
6	107354	1	Nut, Stamped 9/16-18	32	45488	1	Key, Ignition Switch
7	20660	1	Bracket, Switch	33	45490	1	Boot, 9/16 Switch
8	419454	7	Nut, Lock 1/4-20	34	45489	1	Nut, Jam 9/16-24
9	42176	2	Connector, 2-Wire Switch	35	19667	1	Washer, Lock 9/16 Int. Tooth
10	180020	7	Bolt, Hex 1/4-20x.75	36	38058	2	Connector
11	27122	2	Clamp	37	19223	1	Switch, Ignition
12	413534	1	Nut, Lock 3/8-16	38	41926	1	Light, Indicator
13	42289	1	Connector	39	47531	1	Harness, Wiring
14	39862	1	Cable, Starter	40	33847	3	Boot, Battery Cable
15	456004	1	Nut, Lock 3/8-16	41	10629	6	Tie, Cable
16	11676	2	Nut, Speed 1/4-20	42	40456	1	Harness, Wiring Ground and Light
17	45071	1	Switch, Magnetic	43	35313	2	Clamp, Nylon
18	45920	1	Connector	44	39069	2	Headlight
19	45922	2	Terminal, 14-16 Gauge	45	42597	1	Battery, 12 Volt
20	45037	1	Fuse, 25 Amp	46	40216	1	Relay
21	45921	1	Cover	47	40313	1	Module, Time Delay
22	39871	1	Cable, Negative Battery	48	34466	1	Cover, Battery Terminal
23	180079	3	Bolt, Hex 5/16-18x1.00	49	39861	1	Cable, Battery to Magnetic Switch
24	120393	6	Washer, Flat .344x.688x.065	50	37742	2	Clamp
25	41788	1	Clamp, Nylon	51	126342	2	Bolt, 1/4-20x1.75 Rd Hd Sq Nk
26	419455	3	Nut, Lock 5/16-18				

NOTE: See the Operator's Manual for Wiring Diagram.

ELECTRICAL SYSTEM - 18 H.P. AND 20 H.P. UNITS



ELECTRICAL SYSTEM - 18 H.P. AND 20 H.P. UNITS

ITEM NO.	PART NO.	QTY.	DESCRIPTION	ITEM NO.	PART NO.	QTY.	DESCRIPTION
1	45036	2	Switch, Seat	27	45490	1	Boot, 9/16 Switch
2	45601	1	Harness, Wiring Seat Switch	28	45489	1	Nut, Jam 9/16-24
3	160515	2	Screw, Machine 1/4-20	29	19667	1	Washer, Lock 9/16 Int. Tooth
4	38059	16	Terminal	30	11337	1	Switch, Light
5	20916	2	Switch, Interlock	31	38058	2	Connector
6	107354	1	Nut, Stamped 9/16-18	32	19223	1	Switch, Ignition
7	42176	2	Connector, 2-Wire Switch	33	47531	1	Harness, Wiring
8	20660	1	Bracket, Switch	34	40313	1	Module, Time Delay
9	419454	7	Nut, Lock 1/4-20	35	39871	1	Cable, Negative Battery
10	180020	7	Bolt, Hex 1/4-20x.75	36	38256	1	Hourmeter
11	27122	2	Clamp	37	180079	3	Bolt, Hex 5/16-18x1.00
12	413534	1	Nut, Lock 3/8-16	38	120393	6	Washer, Flat .344x.688x.065
13	42289	1	Connector	39	419455	3	Nut, Lock 5/16-18
14	39862	1	Cable, Starter	40	41788	1	Clamp, Nylon
15	11676	2	Nut, Speed 1/4-20	41	10629	6	Tie, Cable
16	45071	1	Switch, Magnetic	42	40456	1	Harness, Wiring Ground and Light
17	33847	3	Boot, Battery Cable	43	35313	2	Clamp, Nylon
18	45920	1	Connector	44	39069	2	Headlight
19	45922	2	Terminal, 14-16 Gauge	45	42597	1	Battery, 12 Volt
20	45037	1	Fuse, 25 Amp	46	40216	1	Relay
21	45921	1	Cover	47	120392	5	Washer, Flat .281x.625x.065
22	41926	1	Light, Indicator	48	34466	1	Cover, Battery Terminal
23	21848	1	Gauge, Ammeter	49	39861	1	Cable, Battery to Magnetic Switch
24	38186	1	Knob, Light Switch	50	37742	2	Clamp
25	18587	1	Nut, Special Light Switch	51	126342	2	Bolt, 1/4-20x1.75 Rd Hd Sq Nk
26	45488	1	Key, Ignition Switch				

NOTE: See the Operator's Manual for Wiring Diagram.