



PROFESSIONAL 2-WHEEL TRACTOR ILLUSTRATED PARTS LIST

www.oldgravelys.net

FORM NO: 40690 (8-87)
REVISED 10-87

PART NO: 40661, 40971, 41024, 41027,
41049, 41902, 41903, 41904,
41905, 41906, 41910, 41911,
43919, 44274, 44344

PRINTED IN USA
\$5.00

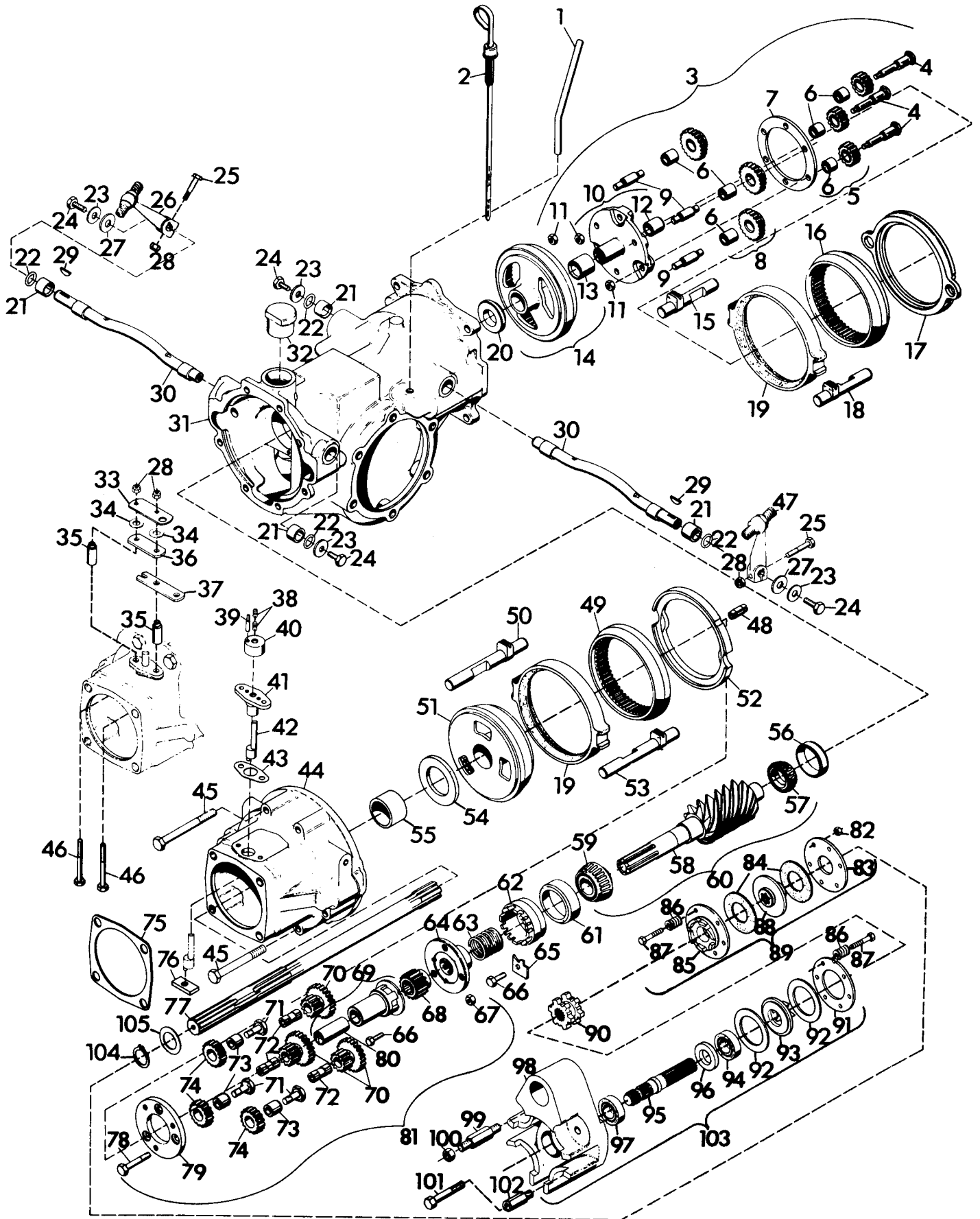
TO CONTINUE ITS PROGRAM OF QUALITY AND DESIGN IMPROVEMENTS, THE MANUFACTURER RESERVES THE RIGHT TO CHANGE SPECIFICATIONS, DESIGNS AND PRICES WITHOUT NOTICE AND WITHOUT INCURRING OBLIGATION. THE MANUFACTURER ALSO RESERVES THE RIGHT TO SHIP WITHOUT NOTICE AND WITHOUT INCURRING OBLIGATION.



TABLE OF CONTENTS

	<u>Page</u>
Transmission	1
Standard Differential - 2 Speed	4
Swiftamatic Differential - 4 Speed	6
Wheels	9
Frame - Professional 8	10
Frame - Professional 10, 12 and 16	12
Fixed Handlebars	14
Adjustable Handlebars	14
Gear Shift Control	16
Range Control	18
PTO Control	20
Direction Control	22
Steering Brakes	24
Fuel System and Exhaust - Professional 8, 10 and 12	26
Fuel System and Exhaust - Professional 16	28
Electrical System - Manual Start Models	30
Electrical System - Electric Start Models	32

TRANSMISSION



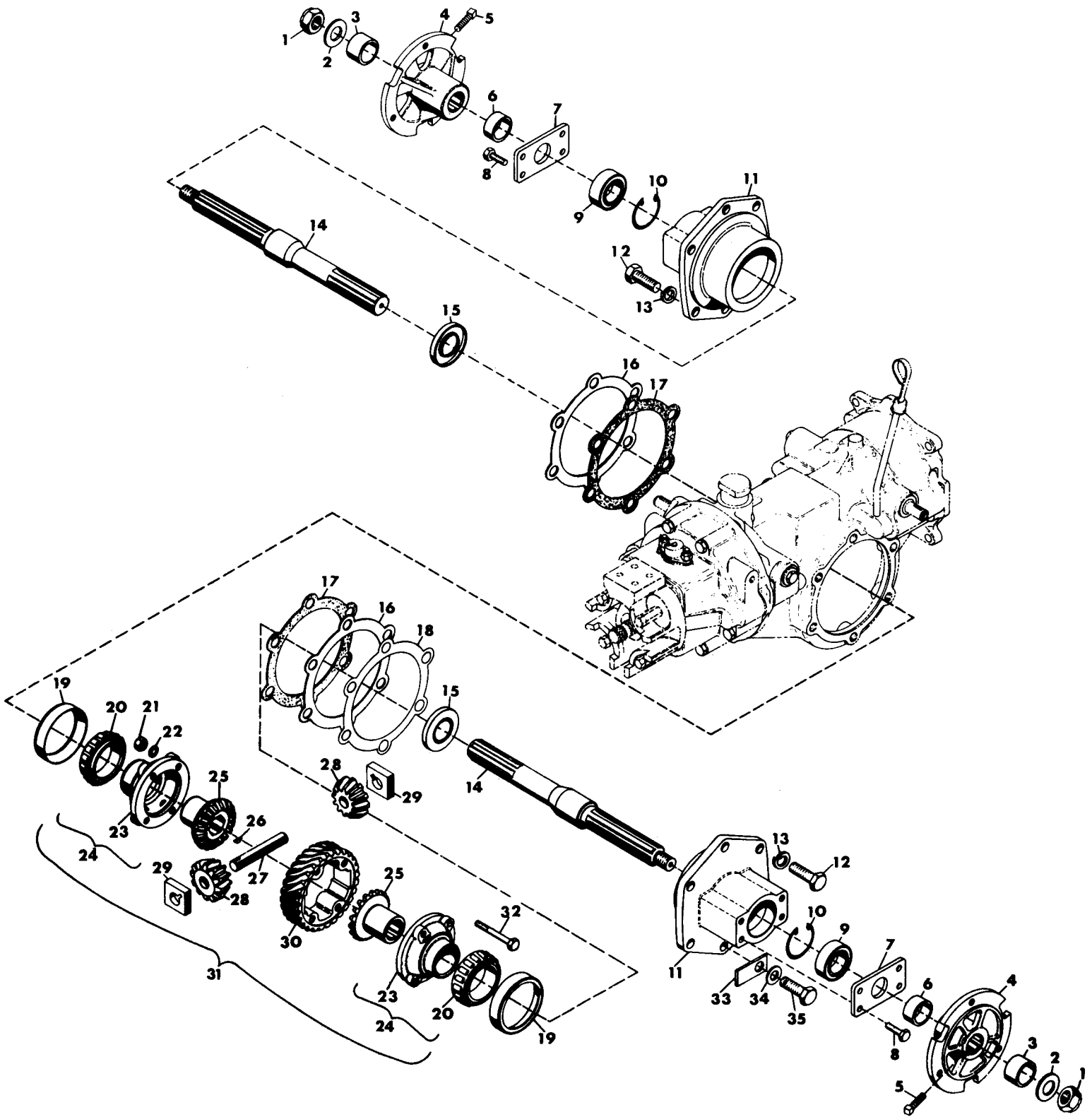
TRANSMISSION

ITEM NO.	PART NO.	QTY.	DESCRIPTION
1	41562	1	Guide, Dipstick
2	10622	1	Assembly, Dipstick
3	14615	1	Assembly, Hi-Lo Planetary
4	11181	3	Bolt, Orbit Gear
5	11179	3	Assembly, External Orbit Gear
6	11177	6	Bushing, .501x.627x.495
7	11178	1	Spacer, Pin
8	11175	3	Assembly, Internal Orbit Gear
9	11174	3	Pin, Hi-Lo Orbit Gear
10	11171	1	Assembly, Planet Gear Carrier
11	11342	3	Nut, Lock 5/16-18 L.H. Thd.
12	11172	1	Bushing, .737x.877x.682
13	11169	1	Bushing, 1.231x1.502x1.312
14	11168	1	Assembly, Ring Gear and Bushing
15	43277	1	Rod, Rear Clutch Slide L.H.
16	11182	1	Gear, Rear Ring
17	11183	1	Spacer, Rear
18	43278	1	Rod, Rear Clutch Slide R.H.
19	12644	2	Assembly, Clutch Cup
20	12645	1	Plate, Rear Thrust
21	10618	4	Bushing, .750x1.002x.625
22	10663	4	O-Ring, .750x1.00
23	12694	4	Washer, Flat .265x1.250x.063
24	180016	4	Bolt, Hex 1/4-20x.50
25	180087	2	Bolt, Hex 5/16-18x2.00
26	44485	1	Assembly, Fwd-Rev Lever
27	131017	2	Washer, Flat .812x1.496x.134
28	419455	4	Nut, Lock 5/16-18
29	124545	2	Key, Woodruff .125x.625 Hard #5
30	10625	2	Shaft, Actuating
31	10628	1	Chassis
32	10617	1	Plug, Oil Filler
33	42164	1	Bracket, PTO Switch
34	120393	2	Washer, Flat .344x.688x.065
35	12123	2	Spacer, Shipper Shaft Guide
36	20822	1	Spacer, Strap
37	43830	1	Arm, Shifter
38	102591	2	Screw, Set 3/8-16x.25 HSCKT
39	456390	1	Pin, Spring .25x.75
40	10688	1	Body, Shipper Shaft
41	10687	1	Guide, Shipper Shaft
42	43351	1	Shaft, Shipper
43	18318	1	Gasket, Shipper Shaft
44	43880	1	Assembly, Advance Casting
45	37818	6	Bolt, Hex 5/16-18x3.25 Gr. 8
46	180091	2	Bolt, Hex 5/16-18x2.50
47	40667	1	Assembly, Hi-Lo Lever
48	13456	1	Pin, Roll
49	12632	1	Gear, Internal
50	43275	1	Rod, Clutch Slide L.H.
51	12654	1	Cone, Reverse Gear
52	12636	1	Cup, Gear
53	43276	1	Rod, Clutch Slide R.H.

TRANSMISSION

ITEM NO.	PART NO.	QTY.	DESCRIPTION
54	37820	1	Disc, Friction
55	37819	1	Bearing
56	10390	1	Cup, Roller Bearing
57	10389	1	Cone, Roller Bearing
58	21242	1	Weldment, 6-Lead Worm
	21243	1	Weldment, 8-Lead Worm
59	12332	1	Cone, Roller Bearing
60	22560	1	Welded Worm Shaft Assembly
	23046	1	Welded Worm Shaft Assembly
61	12333	1	Cup, Roller Bearing
62	12635	1	Nut, Bearing Adjustment
63	12663	1	Spacer, Spring Pin Plate
64	12633	1	Plate, Front Pin
65	12648	1	Nut, Adjusting
66	180018	4	Bolt, Hex 1/4-20x.625
67	120375	3	Nut, Hex 1/4-20
68	12637	1	Gear, Sun Pinion
69	14923	1	Assembly, Quill and Bushing
70	12639	3	Gear, Orbit
71	12658	3	Bolt, Reverse Idler
72	12640	3	Pin, Fwd-Rev Orbit Gear
73	12657	3	Bushing, Reverse Idler
74	12656	3	Gear, Reverse Idler Spur
75	5056	1	Gasket, Attachment
76	43352	1	Block, Trunnion
77	44645	1	Shaft, Pinion
78	12643	3	Bolt, Spacer
79	12655	1	Spacer, Front Pin
80	12662	1	Bushing, .875x1.000x2
81	14922	1	Assembly, Fwd-Rev Planetary
82	124920	6	Nut, Jam 5/16-24
83	12868	1	Plate, Back
84	12870	2	Washer, Friction
85	12867	1	Plate, Dog
86	12871	12	Spring, Comp. .75x2200 Rate
87	181618	12	Bolt, Hex 5/16-24x1.75
88	13454	1	Plate, Drive Splined
89	44278	1	Assembly, Clutch
90	43878	1	Dog
91	43876	1	Plate, Back
92	43877	2	Disc, Brake
93	43879	1	Brake, Dog Plate
94	21929	1	Bearing, Ball .984x2.097x.591
95	43875	1	Shaft, Quick Hitch
96	43882	1	Seal, Oil
97	19072	1	Bearing, Ball .984x2.047x.590
98	42645	1	Casting, Quick Hitch
99	24824	2	Stud, Quick Hitch
100	120378	2	Nut, Hex 1/2-13
101	180173	2	Bolt, Hex 1/2-13x1.00
102	22479	2	Stud, Quick Hitch
103	44279	1	Assembly, Attachment Adapter
104	11792	1	Ring, Retaining
105	21541	1	Race, Bearing Thrust

STANDARD DIFFERENTIAL — 2 SPEED

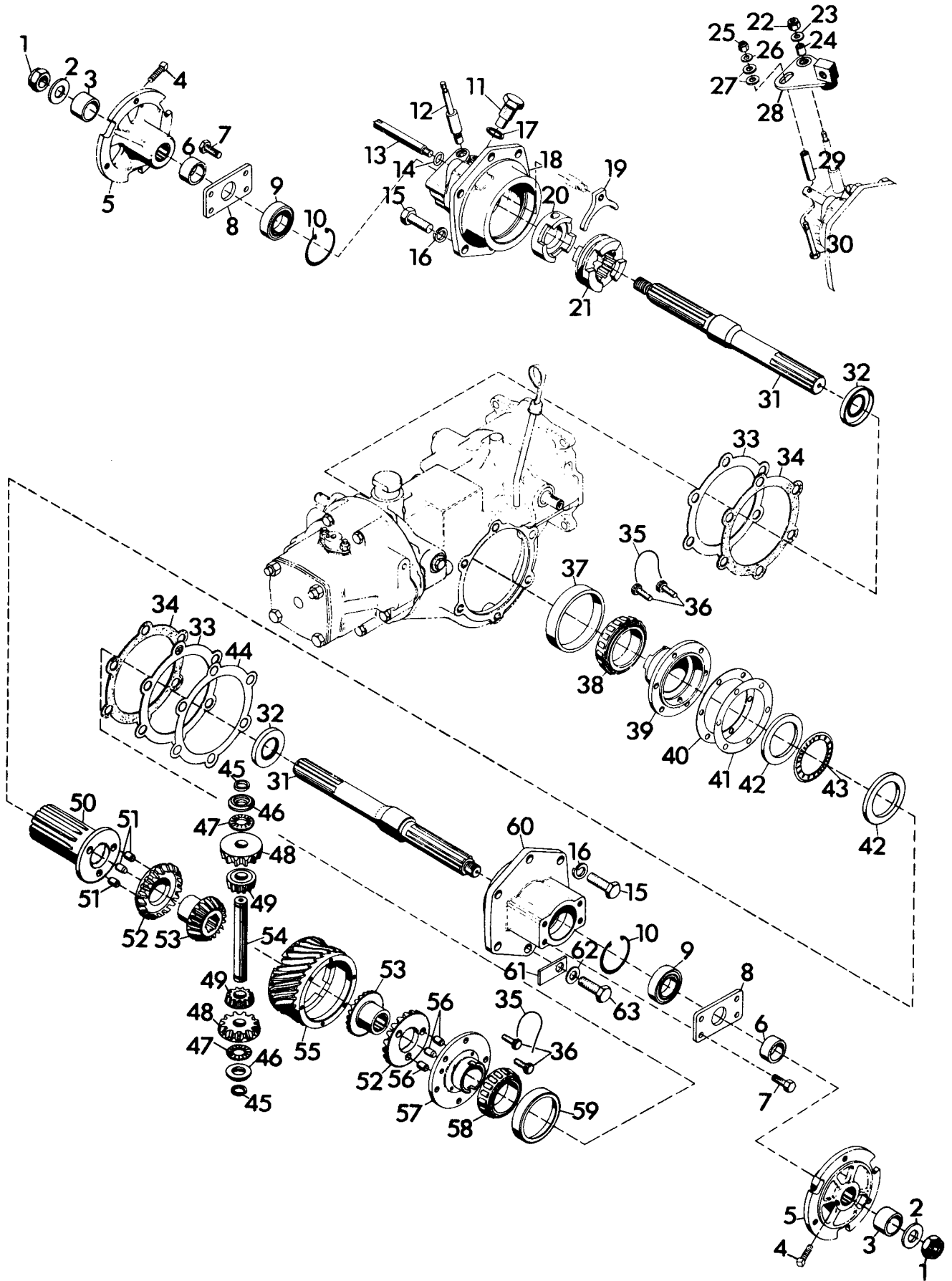


STANDARD DIFFERENTIAL — 2 SPEED

ITEM NO.	PART NO.	QTY.	DESCRIPTION
1	22502	2	Nut, Hex 3/4-10 Light Thin
2	131017	2	Washer, Flat .812x1.469x.134
3	22512	2	Spacer
4	22507	2	Hub, Wheel
5	426913	2	Screw, Set 7/16-14x1.00 SQHCP
6	22501	2	Spacer
7	22503	2	Plate, End
8	180120	8	Bolt, Hex 3/8-16x.750
9	32050	2	Bearing, Ball 1.000x2.000x.562
10	22497	2	Ring, Retaining 2.000 Bore
11	22495	2	Housing, Axle
12	180173	11	Bolt, Hex 1/2-13x1.00
13	120384	11	Washer, Lock 1/2 Reg.
14	22493	2	Axle, Straight
15	22506	2	Seal, Oil 1.188x2.000x.250
16	12595	AR	Shim, Axle Housing .005
17	12597	AR	Gasket, Axle Housing
18	12596	AR	Shim, Axle Housing .020
19	12130	2	Cup, Roller Bearing
20	12131	2	Cone, Roller Bearing
21	120368	4	Nut, Hex 5/16-24
22	138538	4	Washer, Lock 5/16 Int. Tooth
23	22504	2	Housing, Differential
24	22561	2	Assembly, Differential Housing
25	6709	2	Gear, Differential Bevel
26	271089	1	Key, Woodruff .125x.375 Hard
27	12556	1	Pin, Spider Pinion
28	6708	2	Gear, Spider Bevel
29	22505	2	Block, Drive
30	13498	1	Gear, 6 Lead Worm
31	22554	1	Assembly, Diff. Std. 6 Lead
32	181623	4	Bolt, Hex 5/16-24x2.75
33	12594	1	Washer, Oil Drain
34	120396	1	Washer, Flat .531x1.062x.095
35	13624	1	Bolt, Hex 1/2-13x1 Nylon Insert

NOTE: Item Numbers 5 and 8 are correct for units without Steering Brakes. To service units with Steering Brakes, see pages 24 and 25, item numbers 45 and 22 respectively.

SWIFTAMATIC DIFFERENTIAL — 4 SPEED



SWIFTAMATIC DIFFERENTIAL — 4 SPEED

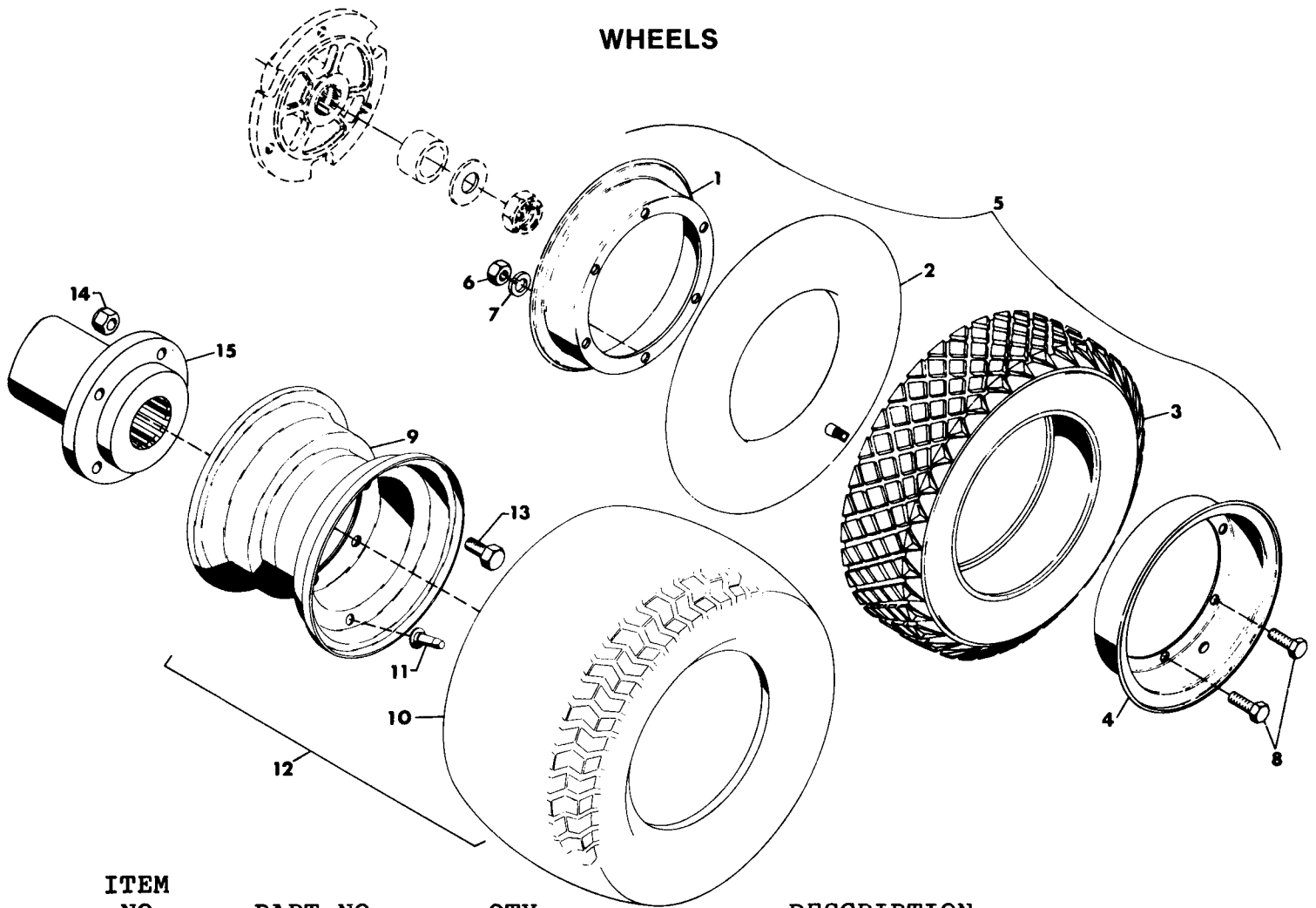
ITEM NO.	PART NO.	QTY.	DESCRIPTION
1	22502	2	Nut, Hex 3/4-10 Light Thin
2	131017	2	Washer, Flat .812x1.469x.134
3	22512	2	Spacer
4	426913	2	Screw, Set 7/16-14x1.00 SQHCP
5	22507	2	Hub, Wheel
6	22501	2	Spacer
7	180120	8	Bolt, Hex 3/8-16x.750
8	22503	2	Plate, End
9	32050	2	Bearing, Ball 1.000x2.000x.562
10	22497	2	Ring, Retaining 2.000 Bore
11	6734	1	Bolt, Stationary Clutch
12	10505	1	Pivot, Stationary
13	6721	1	Pin, Clutch Sliding
14	6732	1	O-Ring .438x.625x.094
15	180173	11	Bolt, Hex 1/2-13x1.00
16	120384	8	Washer, Lock 1/2 Reg.
17	12707	1	Washer, Oil Strainer Nut
18	22494	1	Housing, Axle 2-Speed
19	6719	1	Yoke, Shifting
20	11156	1	Clutch, Stationary
21	11632	1	Clutch, Shifting
22	419455	1	Nut, Lock 5/16-18
23	120393	1	Washer, Flat .344x.688x.065
24	6724	1	Bushing, Nylon .375x.503x.875
25	419454	1	Nut, Lock 1/4-20
26	120392	1	Washer, Flat .281x.625x.065
27	120394	2	Washer, Flat .406x.812x.065
28	6723	1	Weldment, Arm Shifter
29	24382	1	Bushing
30	24383	1	Bolt, 1/4-20x2.25 Gr. 8 PHd
31	22493	2	Axle, Straight
32	22506	2	Seal, Oil 1.188x2.000x.250
33	12596	AR	Shim, Axle Housing .020
34	12597	AR	Gasket, Axle Housing
35		2	Wire, Bolt
36	18604	12	Bolt, Special 5/16-18
37	12500	1	Cup, Roller Bearing
38	12501	1	Cone, Roller Bearing
39	22496	1	Housing, Clutch
40	6740	1	Shim, Clutch Worm Gear .020
41	6739	3	Shim, Clutch Worm Gear .005
42	22500	2	Race, Thrust 2.002x2.740x.031
43	6743	1	Bearing, Needle Thrust .060
44	12595	AR	Shim, Axle Housing .005
45	15733	2	Ring, Retaining .750 Shaft
46	15734	2	Spacer, .765x1.245x.200
47	6741	2	Bearing, Needle Thrust .752x1.240x.078

SWIFTAMATIC DIFFERENTIAL — 4 SPEED

ITEM NO.	PART NO.	QTY.	DESCRIPTION
48	6702	2	Gear, Differential Shifting Bevel
49	6708	2	Gear, Spider Bevel
50	22498	1	Shifter, Splined Pinned
51	34644	3	Pin, Dowel .375x.375
52	6703	2	Gear, Pinned Bevel
53	6709	2	Gear, Differential Bevel
54	22499	1	Pin, Spider
55	15729	1	Gear, Worm 8 Start
	15731	1	Gear, Worm 6 Start
56	6714	3	Pin, Dowel .375x.500
57	12126	1	Housing, Pinned
58	12131	1	Cone, Roller Bearing
59	12130	1	Cup, Roller Bearing
60	22495	1	Housing, Axle
61	12594	1	Washer, Oil Drain
62	120396	1	Washer, Flat .531x1.062x.095
63	13624	1	Bolt, Hex 1/2-13x1 Nylon Insert

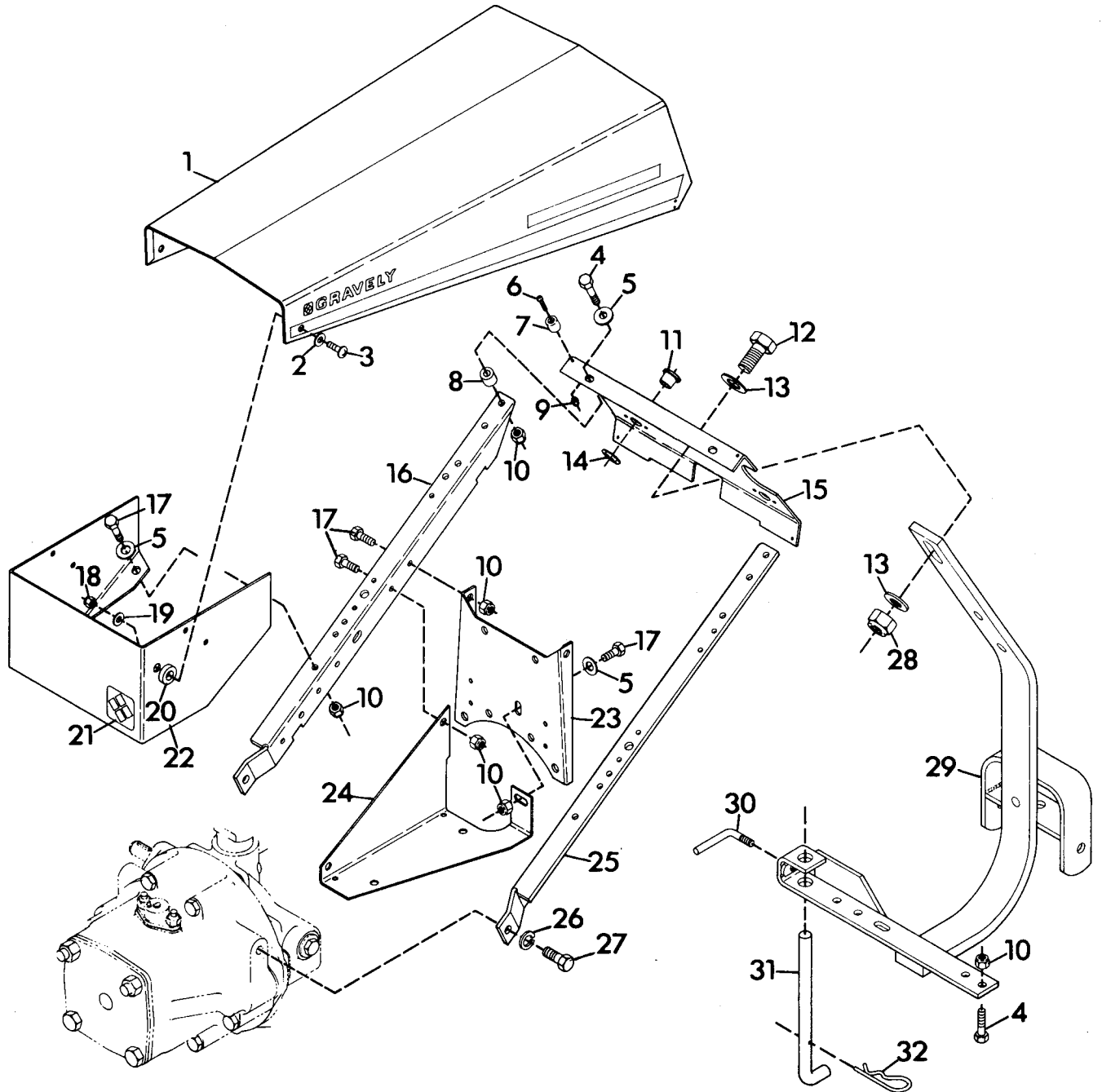
NOTE: Item numbers 4 and 7 are correct for units without Steering Brakes. To service units with Steering Brakes see pages 24 and 25, item numbers 45 and 22 respectively.

WHEELS



ITEM NO.	PART NO.	QTY.	DESCRIPTION
1	12674	1	Disc, Inner Wheel
2	11645	1	Tube, 500x8
	13573	1	Tube, Tractor Tire
3	13836	1	Tire, Tractor Diamond Tread 4.80x4.00-8
	13835	1	Tire, Tractor Ground Grip 4.00-8
	18762	1	Tire, Semi-Pneumatic 16x5Wx3
	19562	1	Tire, 18x6.50-8
4	12673	1	Disc, Wheel
5	10141	1	Assembly, Super Grip Wheel 4.00-8
	10142	1	Assembly, Diamond Tread Wheel 4.80x4.00-8
	19563	1	Tire, Wheel Assembly 18x6.50-8
	21221	1	Wheel, Semi-Pneumatic Assembly 16x5Wx3
	32260	1	Assembly, Wheel Semi-Pneumatic 19x5
6	124829	3	Nut, Jam 3/8-16 Hex
7	120382	3	Washer, Lock 3/8 Reg.
8	428638	3	Bolt, Hex 3/8-16x.625
	180120	3	Bolt, Hex 3/8-16x.750
9	23267	1	Rim, 18x8.50-8
10	15222	1	Tire, 18x8.50-8
11	11191	1	Assembly, Valve Stem
12	23268	1	Assembly, Wheel 18x8.50x8
13	180177	4	Bolt, Hex 1/2-13x1.50
14	435507	4	Nut, Lock 1/2-13
15	22551	1	Hub, for 18x8.50x8 Wheel Assembly

FRAME — PROFESSIONAL 8

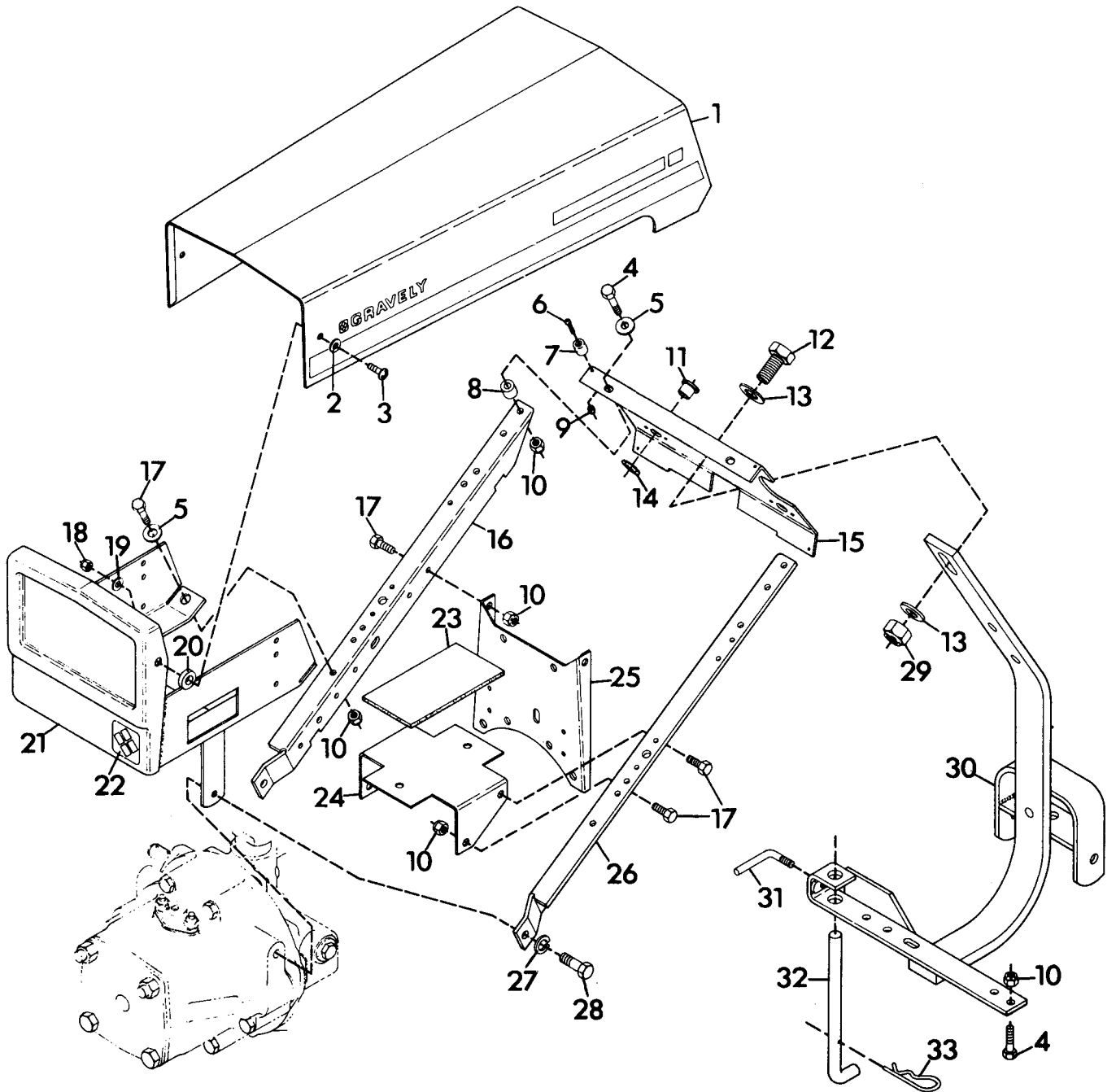


FRAME — PROFESSIONAL 8

ITEM NO.	PART NO.	QTY.	DESCRIPTION
1	40973	1	Assembly, Hood
2	120392	2	Washer, Flat .281x.625x.065
3	160556	2	Screw, Mach. 1/4-20x1.00 PHD
4	180126	4	Bolt, Hex 3/8-16x1.50
5	120394	4 (Manual) 5 (Electric)	Washer, Flat .406x.812x.065
6	159341	4	Screw, Mach. 6-32x.625 PHD
7	18183	4	Bumper
8	43922	2	Bushing, Reverse Idler
9	427254	4	Nut, Mach. Lock 6-32
10	456004	8 (Manual) 11 (Electric)	Nut, Lock 3/8-16
11	34738	1	Bushing, .513x.750x.625
12	271723	1	Bolt, Hex 5/8-11x2.00
13	421879	2	Washer, Flat .656x1.250x.100
14	34737	1	Ring, Retaining
15	41767	1 (Manual)	Plate, Silk Screen
	40872	1 (Electric)	Plate, Silk Screen
16	40618	1	Support, Handlebar R.H.
17	180121	4 (Manual) 7 (Electric)	Bolt, Hex 3/8-16x.875
18	419454	2	Nut, Lock 1/4-20
19	446354	2	Washer, Flat .313x.875x.065
20	41622	2	Bushing, Hood
21	10697	1	Decal
22	40847	1	Support, Hood
23	40629	1	Bracket
24	40846	1 (Electric)	Tray, Battery
25	40619	1	Support, Handlebar L.H.
26	120384	2	Washer, Lock 1/2 Reg.
27	180173	2	Bolt, Hex 1/2-13x1.00
28	418692	1	Nut, Lock 5/8-11
29	40821	1	Weldment, Hitch 8 H.P.
30	13457	1	Handle, Adjusting
31	34062	1	Stand, Kick
32	10405	1	Pin, Hair
NS	44128	2	Decal, 8
NS	44074	2	Decal, Side Stripe
NS	44077	2	Decal, Gravely
NS	43417	2	Decal, 6 Lead
NS	43418	2	Decal, 8 Lead
NS	44075	2	Decal, Professional

NOTE: The quantity for item number 27 is correct for units not equipped with steering brakes. Units equipped with steering brakes use only a quantity of one. See pages 24 and 25.

FRAME — PROFESSIONAL 10, 12 AND 16

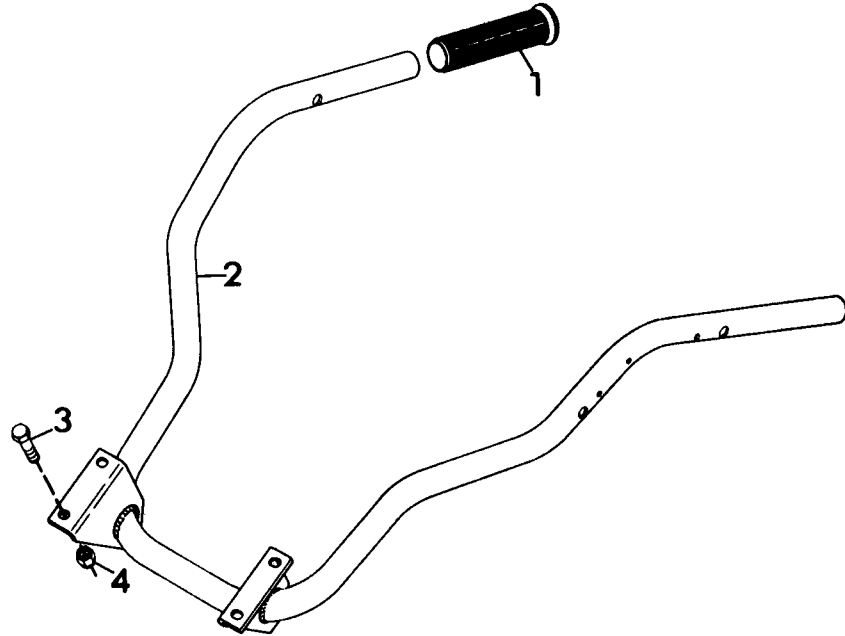


FRAME — PROFESSIONAL 10, 12 AND 16

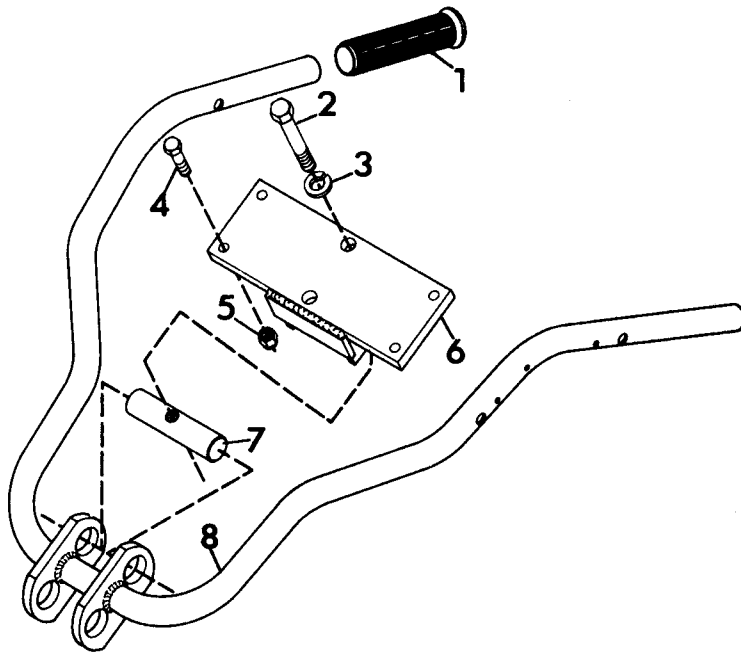
ITEM NO.	PART NO.	QTY.	DESCRIPTION
1	41651	1	Assembly, Hood
2	120392	2	Washer, Flat .281x.625x.065
3	160556	2	Screw, Mach. 1/4-20x1.00 PHD
4	180126	4	Bolt, Hex 3/8-16x1.50
5	120394	4	Washer, Flat .406x.812x.065
6	159341	4	Screw, Mach. 6-32x.625 PHD
7	18183	4	Bumper
8	43922	2	Bushing, Reverse Idler
9	427254	4	Nut, Mach. Lock 6-32
10	456004	12	Nut, Lock 3/8-16
11	34738	1	Bushing, .513x.750x.625
12	271723	1	Bolt, Hex 5/8-11x2.00
13	421879	2	Washer, Flat .656x1.250x.100
14	34237	1	Ring, Retaining
15	41767	1 (Manual)	Plate, Silk Screen
	40872	1 (Electric)	Plate, Silk Screen
16	40618	1	Support, Handlebar R.H.
17	180121	8	Bolt, Hex 3/8-16x.875
18	419454	2	Nut, Lock 1/4-20
19	446354	2	Washer, Flat .313x.875x.065
20	41622	2	Bushing, Hood
21	40409	1	Weldment, Battery Bracket
22	10697	1	Decal
23	41075	1	Pad, Gas Tank
24	41997	1	Bracket, Tank Support
25	40629	1	Bracket
26	40619	1	Support, Handlebar L.H.
27	120384	2	Washer, Lock 1/2 Reg.
28	180173	2	Bolt, Hex 1/2-13x1.00
29	418692	1	Nut, Lock 5/8-11
30	40819	1	Weldment, Hitch 10 and 12 H.P.
31	13457	1	Handle, Adjusting
32	34062	1	Stand, Kick
33	10405	1	Pin, Hair
NS	44129	2	Decal, 10
NS	44130	2	Decal, 12
NS	44131	2	Decal, 16
NS	44074	2	Decal, Side Stripe
NS	43003	2	Decal, Gravely Logo
NS	43417	2	Decal, 6 Lead
NS	43418	2	Decal, 8 Lead
NS	44075	2	Decal, Professional

NOTE: The quantity for item number 28 is correct for units not equipped with steering brakes. Units equipped with steering brakes use only a quantity of one. See pages 24 and 25.

FIXED HANDLEBARS



ADJUSTABLE HANDLEBARS



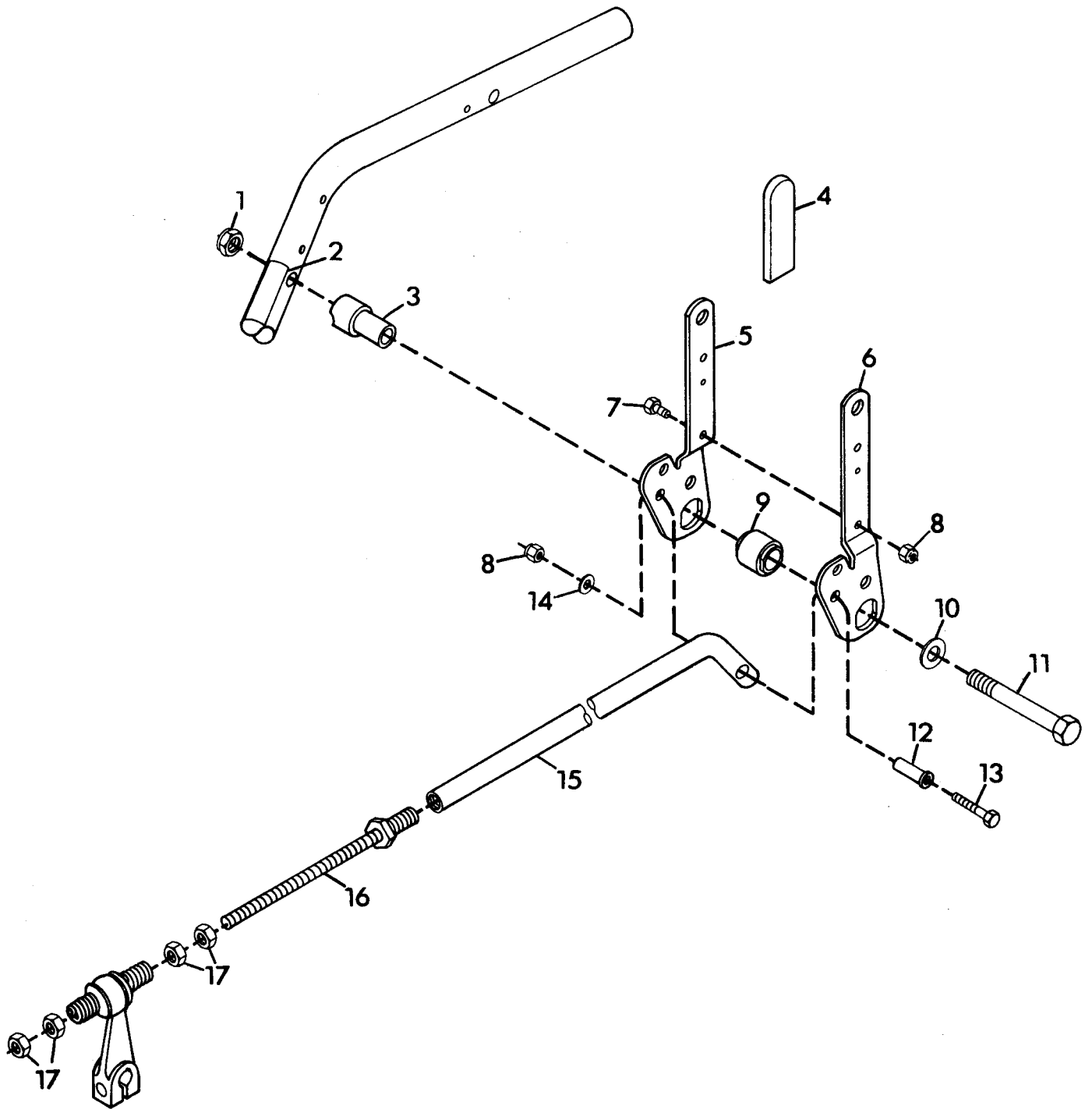
FIXED HANDLEBARS

ITEM NO.	PART NO.	QTY.	DESCRIPTION
1	41563	2	Grip, Handlebar
2	41187	1	Weldment, Handlebar
3	41855	4	Bolt, Hex 3/8-16x1.25 Gr. 8
4	456004	4	Nut, Lock 3/8-16

ADJUSTABLE HANDLEBARS

ITEM NO.	PART NO.	QTY.	DESCRIPTION
1	41563	2	Grip, Handlebar
2	41182	2	Bolt, Hex 1/2-13x3.00 Gr. 8
3	120384	2	Washer, Lock 1/2 Reg.
4	41855	4	Bolt, Hex 3/8-16x1.25 Gr. 8
5	456004	4	Nut, Lock 3/8-16
6	40836	1	Weldment, Handlebar Bracket
7	40611	2	Pin
8	40615	1	Weldment, Handlebar

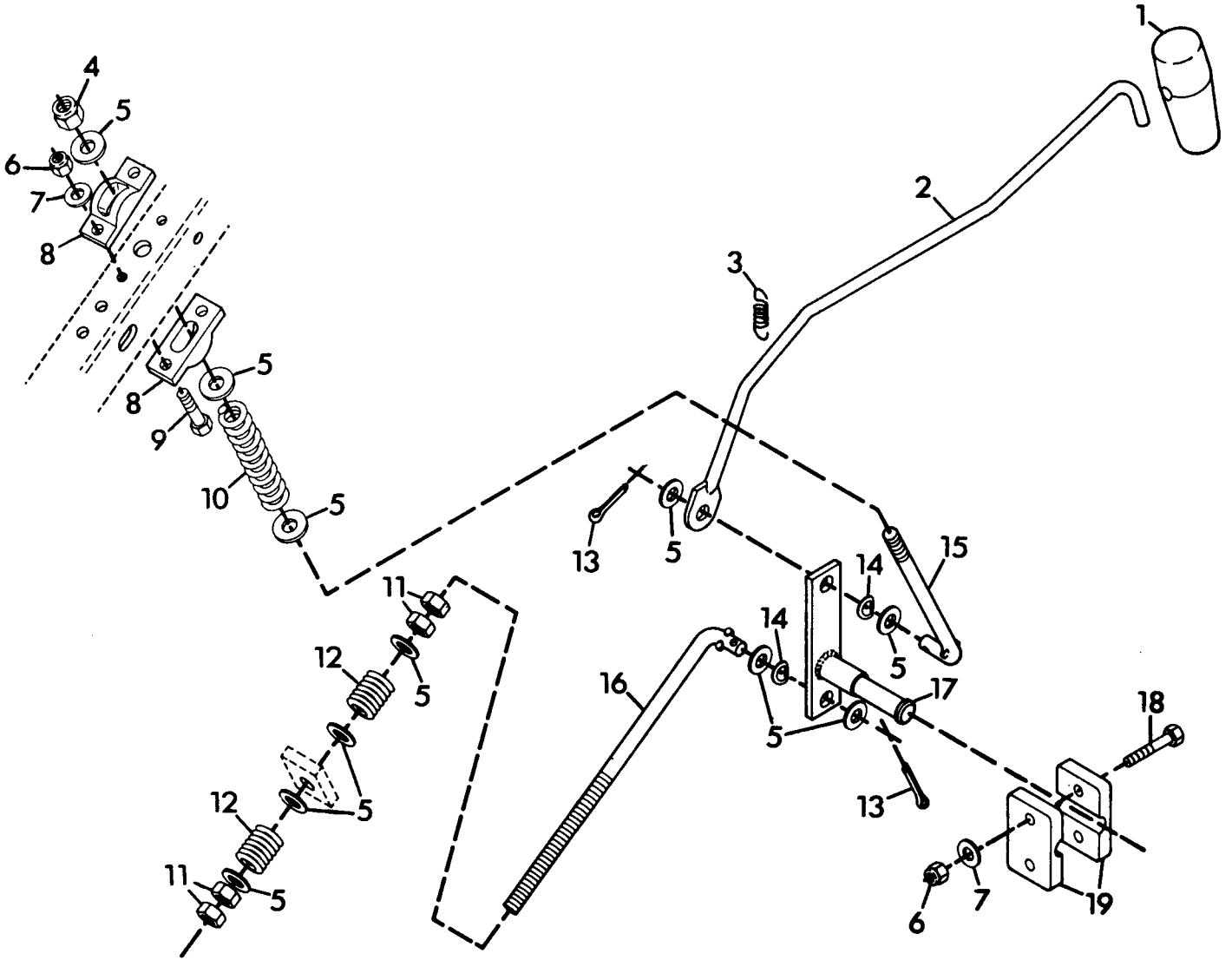
GEAR SHIFT CONTROL



GEAR SHIFT CONTROL

ITEM NO.	PART NO.	QTY.	DESCRIPTION
1	20541	1	Nut, Lock 1/2-13 E.T.
2	21091	1	Decal, Gear Shift
3	41614	1	Pivot, Hand Lever L.H.
4	44139	1	Grip, Handle
5	41616	1	Handle, Control R.H.
6	41615	1	Handle, Control L.H.
7	180018	1	Bolt, Hex 1/4-20x.625
8	419454	2	Nut, Lock 1/4-20
9	41594	1	Bushing, Handle
10	120396	1	Washer, Flat .531x1.062x.095
11	180192	1	Bolt, Hex 1/2-13x3.50
12	41244	1	Bushing, Operator Presence Handle
13	180034	1	Bolt, Hex 1/4-20x1.50
14	120392	1	Washer, Flat .281x.625x.065
15	43364	1	Rod, Control Hi-Lo
16	41809	1	Rod, Control Extension
17	124829	4	Nut, Jam 3/8-16 Hex

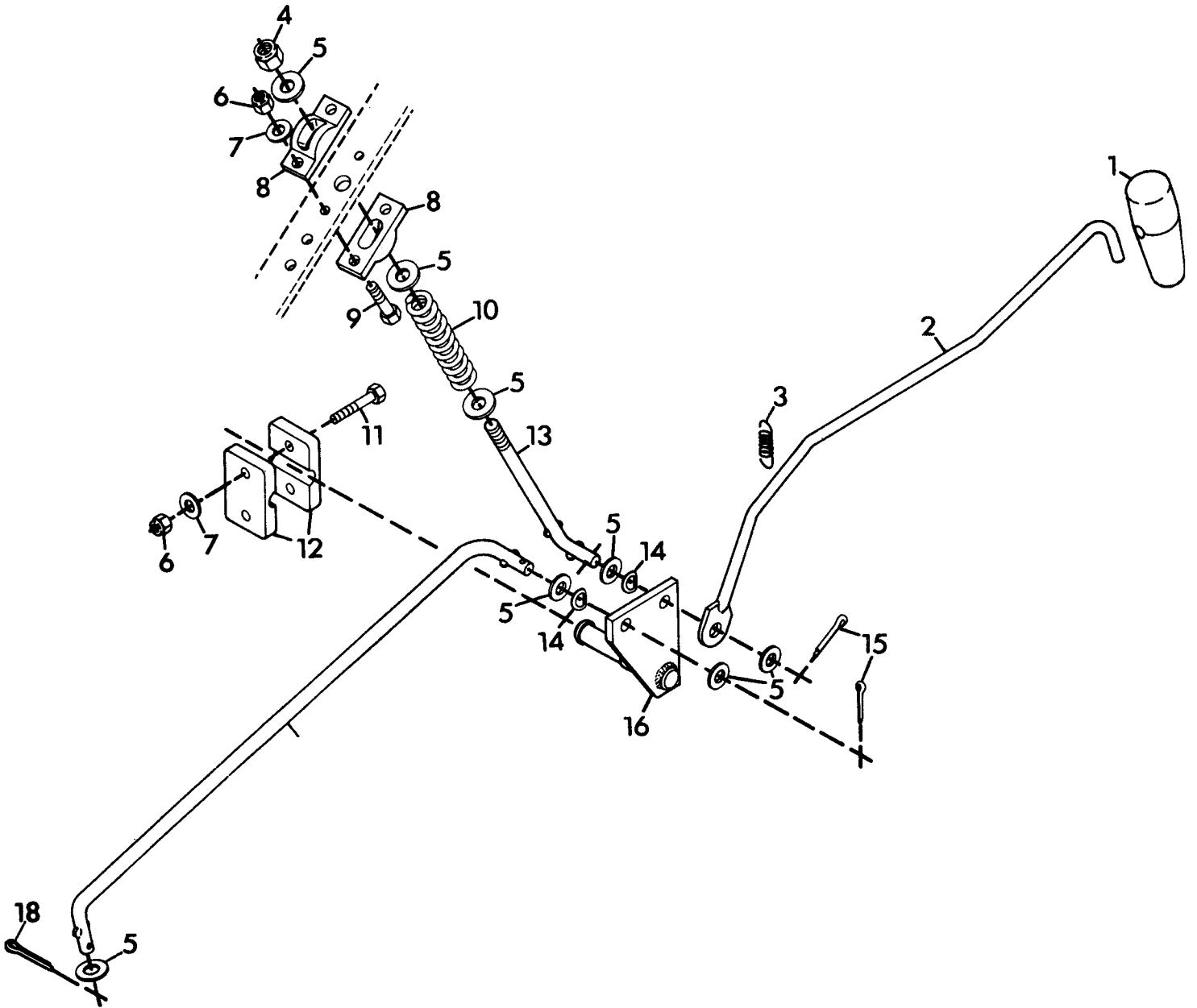
RANGE CONTROL



RANGE CONTROL

ITEM NO.	PART NO.	QTY.	DESCRIPTION
1	10683	1	Handle, Rubber Shifter
2	40646	1	Rod, Shifter
3	41042	1	Spring, Extension .50x1.25
4	456004	1	Nut, Lock 3/8-16
5	120394	11	Washer, Flat .406x.812x.065
6	419454	4	Nut, Lock 1/4-20
7	120392	4	Washer, Flat .281x.625x.065
8	40637	2	Cam, Shifter
9	180022	2	Bolt, Hex 1/4-20x1.00
10	40599	1	Spring, Comp. .720x2.75
11	124829	4	Nut, Jam 3/8-16 Hex
12	11779	2	Spring, Comp. 1x.78x338
13	177923	2	Pin, Cotter .125x.750
14	41623	2	Washer, Spring .375 I.D.
15	40647	1	Link, Shifter Stop
16	40648	1	Link, Shifter
17	40632	1	Weldment, Shifter Crank
18	180034	2	Bolt, Hex 1/4-20x1.50
19	32353	2	Block, Shift Lever

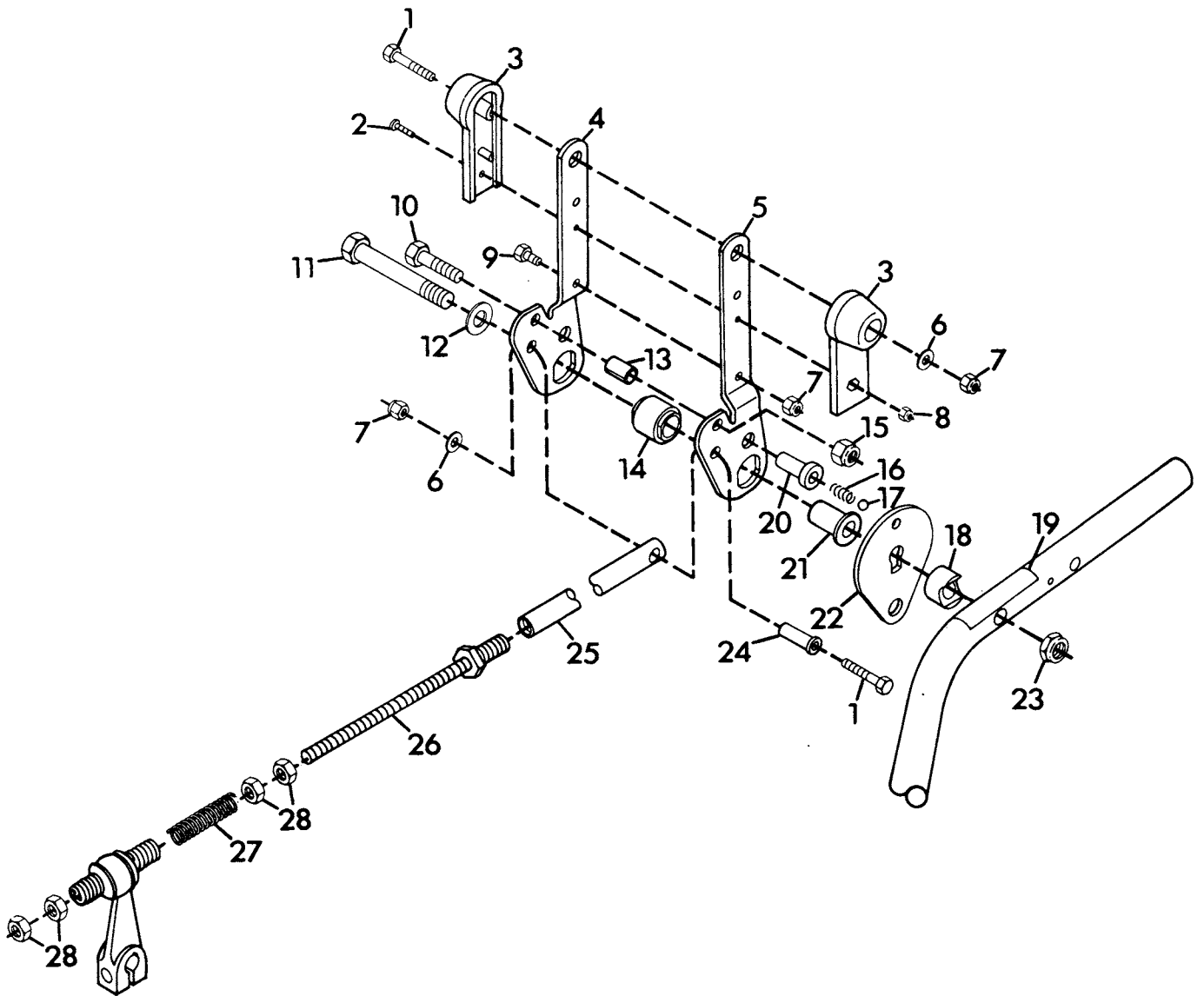
PTO CONTROL



PTO CONTROL

ITEM NO.	PART NO.	QTY.	DESCRIPTION
1	10683	1	Handle, Rubber Shifter
2	40646	1	Rod, Shifter
3	41042	1	Spring, Extension .50x1.25
4	456004	1	Nut, Lock 3/8-16
5	120394	8	Washer, Flat .406x.812x.065
6	419454	4	Nut, Lock 1/4-20
7	120392	4	Washer, Flat .281x.625x.065
8	40637	2	Cam, Shifter
9	180022	2	Bolt, Hex 1/4-20x1.00
10	40599	1	Spring, Comp. .720x2.75
11	180034	2	Bolt, Hex 1/4-20x1.50
12	32353	2	Block, Shift Lever
13	40647	1	Link, Shifter Stop
14	41623	2	Washer, Spring .375 I.D.
15	177923	2	Pin, Cotter .125x.750
16	40849	1	Weldment, PTO Bellcrank
17	44662	1	Link, PTO Control
18	121222	1	Pin, Cotter .09x.75

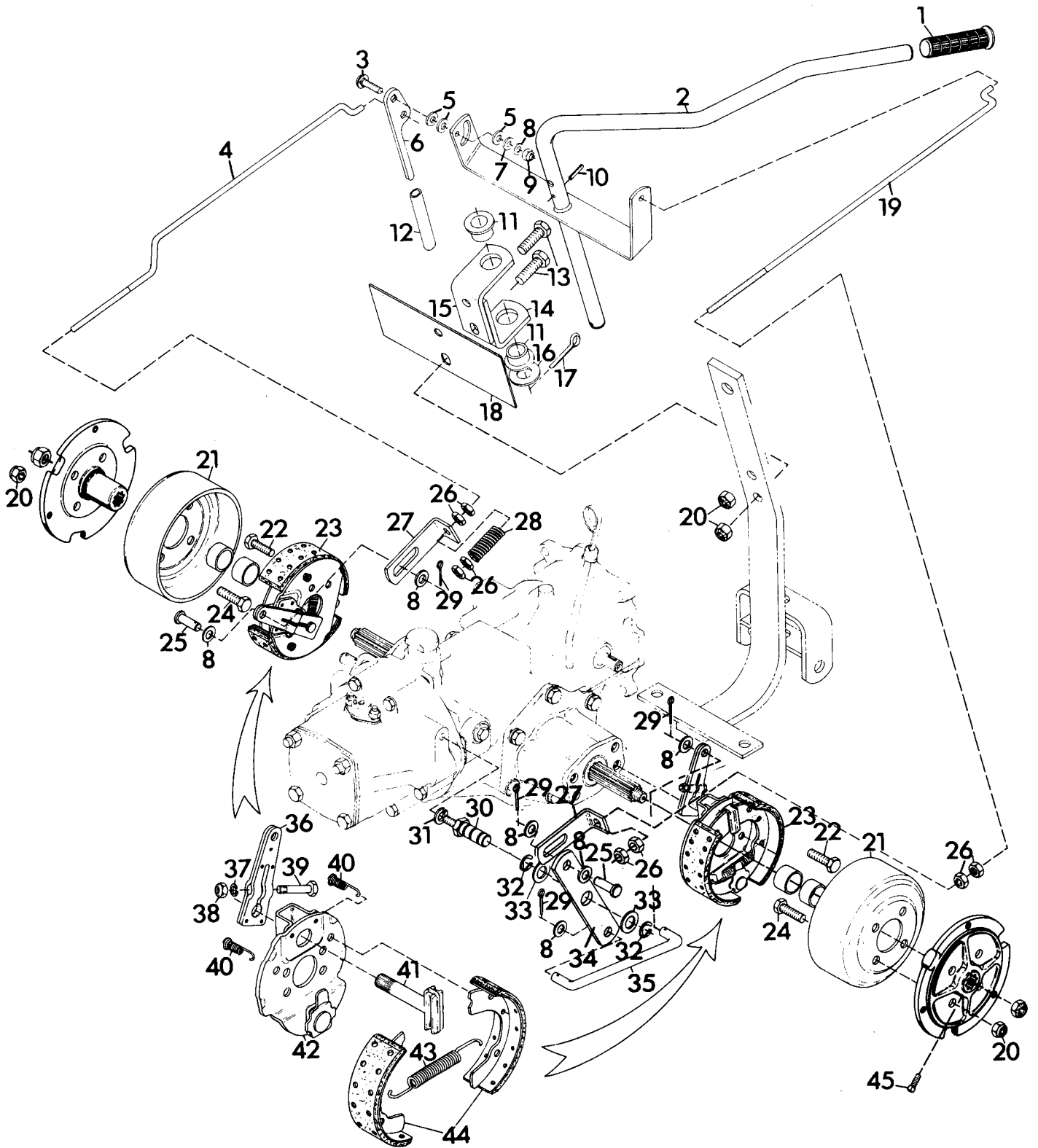
DIRECTION CONTROL



DIRECTION CONTROL

ITEM NO.	PART NO.	QTY.	DESCRIPTION
1	180034	2	Bolt, Hex 1/4-20x1.50
2	159341	1	Screw, Machine 6-32x.625 PHD
3	41252	2	Knob, Handle Control
4	40601	1	Handle, Control R.H.
5	40600	1	Handle, Control L.H.
6	120392	2	Washer, Flat .281x.625x.065
7	419454	3	Nut, Lock 1/4-20
8	427254	1	Nut, Lock 6-32
9	180018	1	Bolt, Hex 1/4-20x.625
10	180126	1	Bolt, Hex 3/8-16x1.50
11	180192	1	Bolt, Hex 1/2-13x3.50
12	120396	1	Washer, Flat .531x1.062x.095
13	41593	1	Sleeve, Handle Stop
14	41594	1	Bushing, Handle
15	456004	1	Nut, Lock 3/8-16
16	12586	1	Spring, Comp. 7/8x.28
17	274301	1	Ball, Steel 5/16
18	42170	1	Bracket, Handle Pivot
19	21090	1	Decal, Fwd-Rev
20	44361	1	Bushing, Neutral
21	42169	1	Pivot, Handle
22	44362	1	Plate, Neutral
23	20541	1	Nut, Lock 1/2-13 E.T.
24	41244	1	Bushing, Operator Presence Handle
25	43362	1	Rod, Control Fwd-Rev
26	20269	1	Rod, Control Extension
27	21506	1	Spring, Fwd-Rev Neutral Return
28	124829	4	Nut, Jam 3/8-16 Hex

STEERING BRAKES



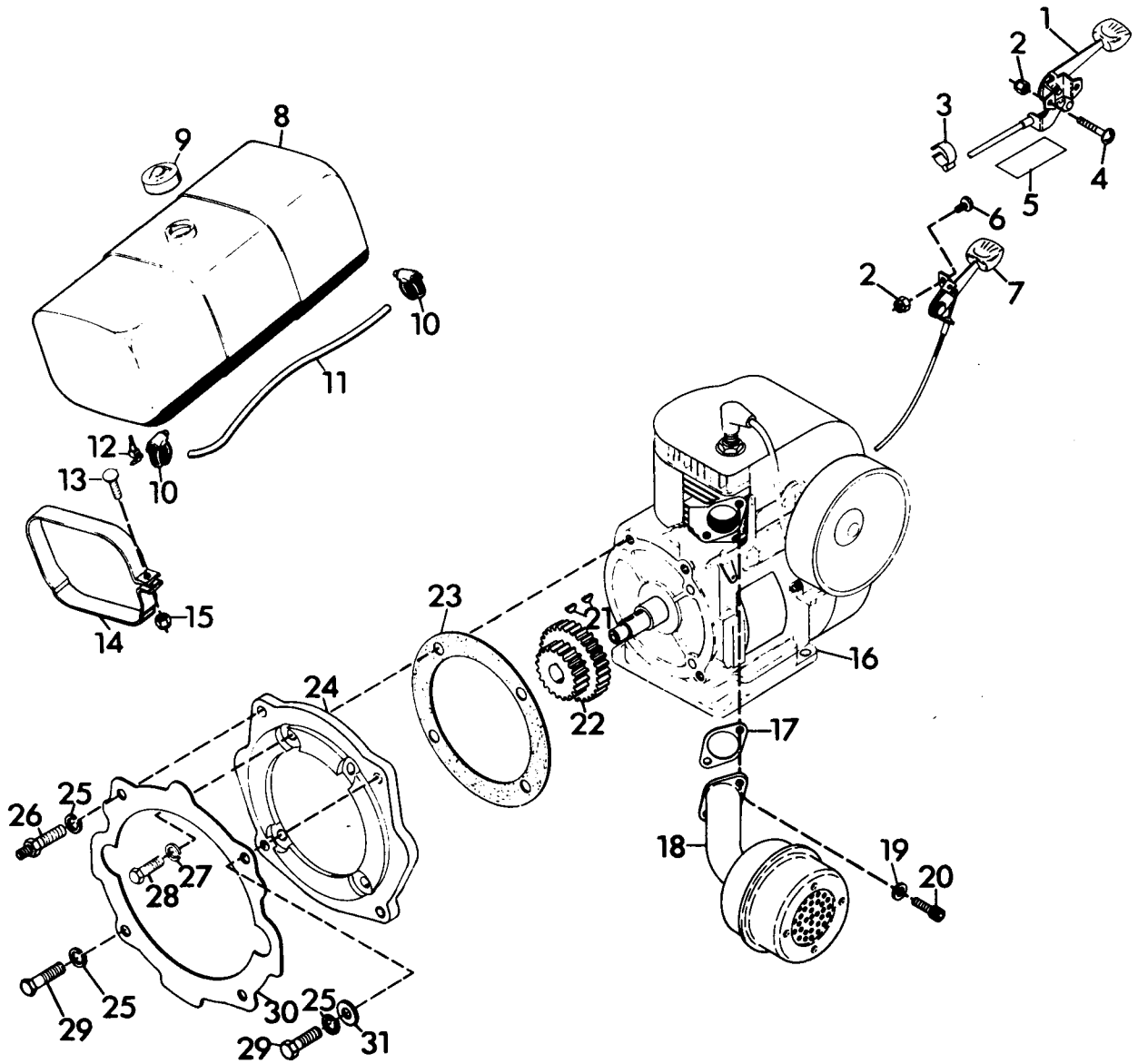
STEERING BRAKES

ITEM NO.	PART NO.	QTY.	DESCRIPTION
1	41563	1	Grip, Handlebar
2	41845	1	Weldment, Brake Handlebar
3	126411	1	Bolt, 3/8-16x1.50 Rd Hd Sq Nk
4	42000	1	Rod, Brake
5	20775	3	Washer, Nylon .375x.75x.060
6	23391	1	Handle, Parking Brake
7	23394	1	Washer, Rubber .375x.75x.125
8	120394	12	Washer, Flat .406x.812x.065
9	456004	1	Nut, Lock 3/8-16
10	273921	1	Pin, Spring .31x2.00
11	18355	2	Bushing, Pivot
12	44347	1	Grip, Brake Handle
13	180181	2	Bolt, Hex 1/2-13x2.00
14	41850	1	Bracket, Brake Handle
15	41851	1	Bracket, Brake Handle
16	103348	1	Washer, Flat 1.063x2.000x.634
17	103409	1	Pin, Cotter .188x1.500
18	43395	1	Plate, Instruction
19	42020	1	Rod, Brake L.H.
20	435507	10	Nut, Lock 1/2-13
21	23385	2	Drum, 7x1.75
22	180121	8	Bolt, Hex 3/8-16x.875
23	23384	2	Brake, 7x1.75 Mechanical
24	180176	8	Bolt, Hex 1/2-13x1.375
25	431780	2	Pin, Clevis .375x.750
26	124829	8	Nut, Jam 3/8-16
27	23389	2	Bracket, Adjustment
28	23392	1	Spring, Compression
29	121222	4	Pin, Cotter .09x.75
30	41847	1	Stud, Pivot
31	120384	1	Washer, Lock 1/2 Reg.
32	18053	2	E-Ring, .625 Shaft
33	131016	2	Washer, Flat .656x1.312x.095
34	23387	1	Plate, Pivot
35	23388	1	Rod, Brake Link
36	23505	2	Arm, Cam Lever
37	120214	2	Washer, Lock 5/16 Reg.
38	120368	2	Nut, Hex 5/16-24
39	181618	2	Bolt, Hex 5/16-24x1.75
40	23509	4	Spring, Shoe Retaining
41	23506	2	Cam, Brake
42	23507	2	Plate, Back
43	23508	2	Spring, Shoe Return
44	23539	2	Kit, Brake Shoe
45	102905	2	Screw, Set 7/16-14x.75 CPSH
NS	14728	1	Clamp, Muffler

NOTE: Items shown on this page pertain only to units equipped with Steering Brakes.

Tractors with wheel hub P/N 22507 have two spacers (22501 and 22512) on each axle as shown. Tractors with wheel hub P/N 22551 have only one spacer (22501) on each axle. This spacer is approximately .50 inches long.

FUEL AND EXHAUST SYSTEM — PROFESSIONAL 8, 10 AND 12

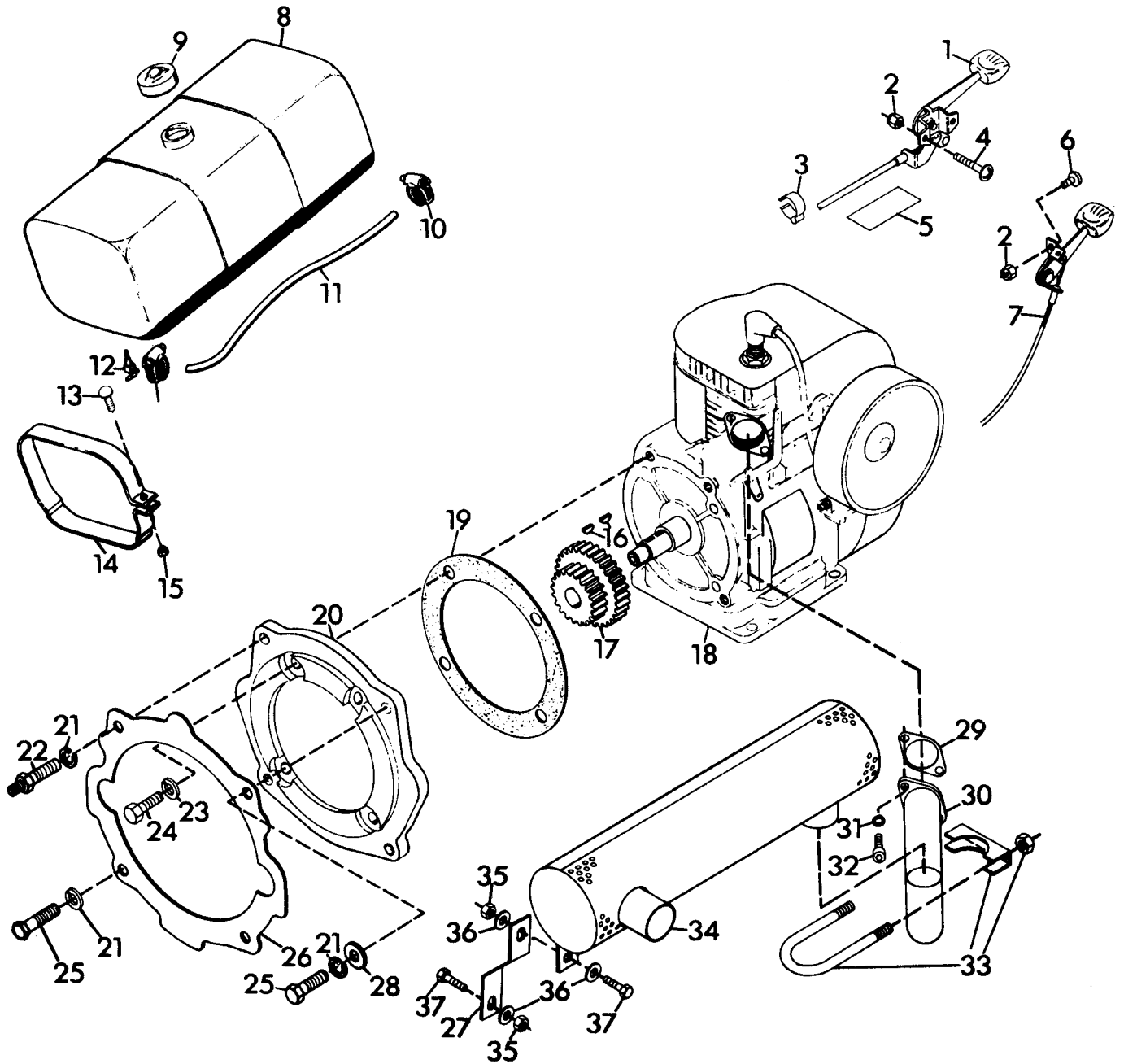


FUEL AND EXHAUST SYSTEM — PROFESSIONAL 8, 10 AND 12

ITEM NO.	PART NO.	QTY.	DESCRIPTION
1	41394	1 (10,12 HP)	Lever, Throttle Control
	43429	1(8 HP Elect)	Lever, Throttle Control
	21103	1(8 HP Man)	Lever, Throttle Control
2	190254	4	Nut, Lock 10-24
3	8260	1	Clip, Conduit
4	436738	2	Screw, Mach. 10-24x1.50 PHD
5	21092	1	Decal, Throttle
6	159920	2	Screw, Mach. 10-24x.50 PHD
7	41560	1 (10,12 HP)	Lever, Choke Control
	41561	1 (8 HP)	Lever, Choke Control
8	10636	1	Assembly, Fuel Tank
9	10756	1	Cap, Gas Tank
10	32045	2	Clamp, Hose
11	21134	2 Ft.	Line, Fuel
12	7354	1	Valve and Strainer
13	126342	2	Bolt, 1/4-20x1.75 Rd.Hd.Sq.Neck
14	10640	2	Strap, Fuel Tank
15	419454	2	Nut, Lock 1/4-20
16	41645	1	Engine, 12 HP Electric
	41646	1	Engine, 12 HP Manual
	41960	1	Engine, 10 HP Electric
	41643	1	Engine, 8 HP Electric
	41644	1	Engine, 8 HP Manual
	17	11202	1
18	40868	1	Muffler
19	120214	2	Washer, Lock 5/16 Reg.
20	421705	2	Screw, Cap 5/16-18x.75 SHD
21	124546	2	Key, Woodruff 5/32x5/8 Hard #6
22	17838	1	Gear, 10/12 DP 21/30 Teeth
23	10732	1 (10,12 HP)	Gasket, Engine to Adaptor
	15718	1 (8 HP)	Gasket, Engine to Adaptor
24	10731	1 (10,12 HP)	Adaptor, Engine
	14938	1 (8 HP)	Adaptor, Engine
25	131100	4	Washer, Lock 7/16 SP Heavy
26	40404	1	Stud
27	131099	4	Washer, Lock 3/8 SP Heavy
28	180122	4	Bolt, Hex 3/8-16x1.00
29	180147	3	Bolt, Hex 7/16-14x1.25
30	10635	1	Gasket, Chassis to Adaptor
31	120395	1	Washer, Flat .469x.938x.065

NOTE: Item numbers 8 through 15 and 17 through 20 pertain to 10 and 12 H.P. units only.

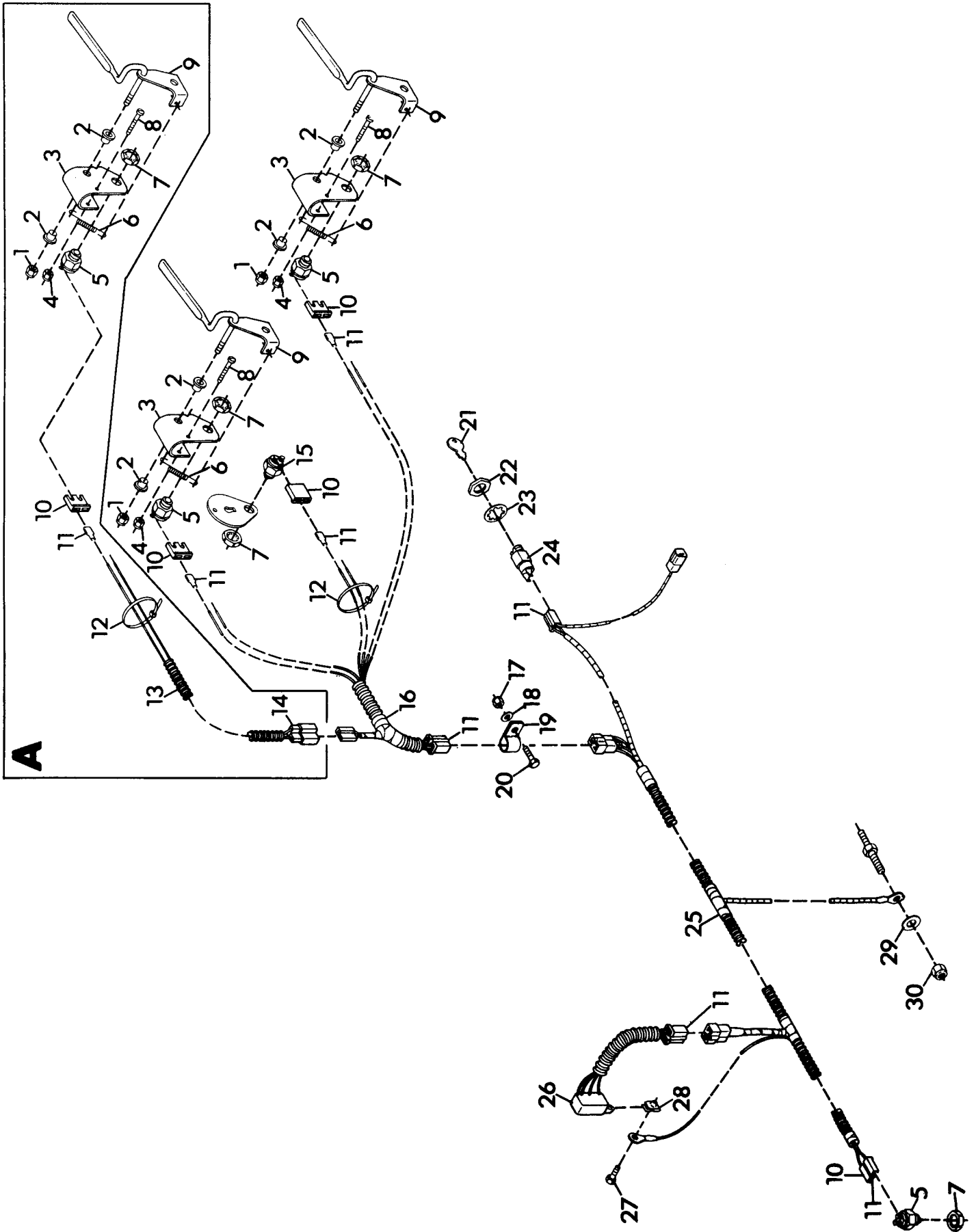
FUEL AND EXHAUST SYSTEM — PROFESSIONAL 16



FUEL AND EXHAUST SYSTEM — PROFESSIONAL 16

ITEM NO.	PART NO.	QTY.	DESCRIPTION
1	41394	1	Lever, Throttle Control
2	190254	4	Nut, Lock 10-24
3	8260	1	Clip, Conduit
4	436738	2	Screw, Mach. 10-24x1.50 PHD
5	21092	1	Decal, Throttle
6	159920	2	Screw, Mach. 10-24x.50 PHD
7	41560	1	Lever, Choke Control
8	10636	1	Assembly, Fuel Tank
9	10756	1	Cap, Gas Tank
10	32045	2	Clamp, Hose
11	21134	2 ft.	Line, Fuel
12	7354	1	Valve and Strainer
13	126342	2	Bolt, 1/4-20x1.75 Rd.Hd.Sq. Neck
14	10640	2	Strap, Fuel Tank
15	419454	2	Nut, Lock 1/4-20
16	124546	2	Key, Woodruff 5/32x5/8 Hard #6
17	17838	1	Gear, 10/12 DP 21/30 Teeth
18	44319	1	Engine, 16 H.P.
19	10732	1	Gasket, Engine to Adaptor
20	10731	1	Adaptor, Engine
21	131100	4	Washer, Lock 7/16 SP Heavy
22	40404	1	Stud
23	131099	4	Washer, Lock 3/8 SP Heavy
24	180122	4	Bolt, Hex 3/8-16x1
25	180147	3	Bolt, Hex 7/16-14x1.25
26	10635	1	Gasket, Chassis to Adaptor
27	43267	1	Brace
28	120395	1	Washer, Flat .469x.938x.065
29	44498	1	Gasket
30	44400	1	Header, Exhaust
31	120214	2	Washer, Lock 5/16 Reg.
32	421705	2	Screw, Cap 5/16-18x.75 SHD
33	14728	1	Clamp, Muffler
34	44399	1	Muffler, 16 H.P.
35	120375	2	Nut, Hex 1/4-20
36	120386	3	Washer, Flat .312x.734x.065
37	180020	2	Bolt, Hex 1/4-20x.75

ELECTRICAL SYSTEM — MANUAL START MODELS

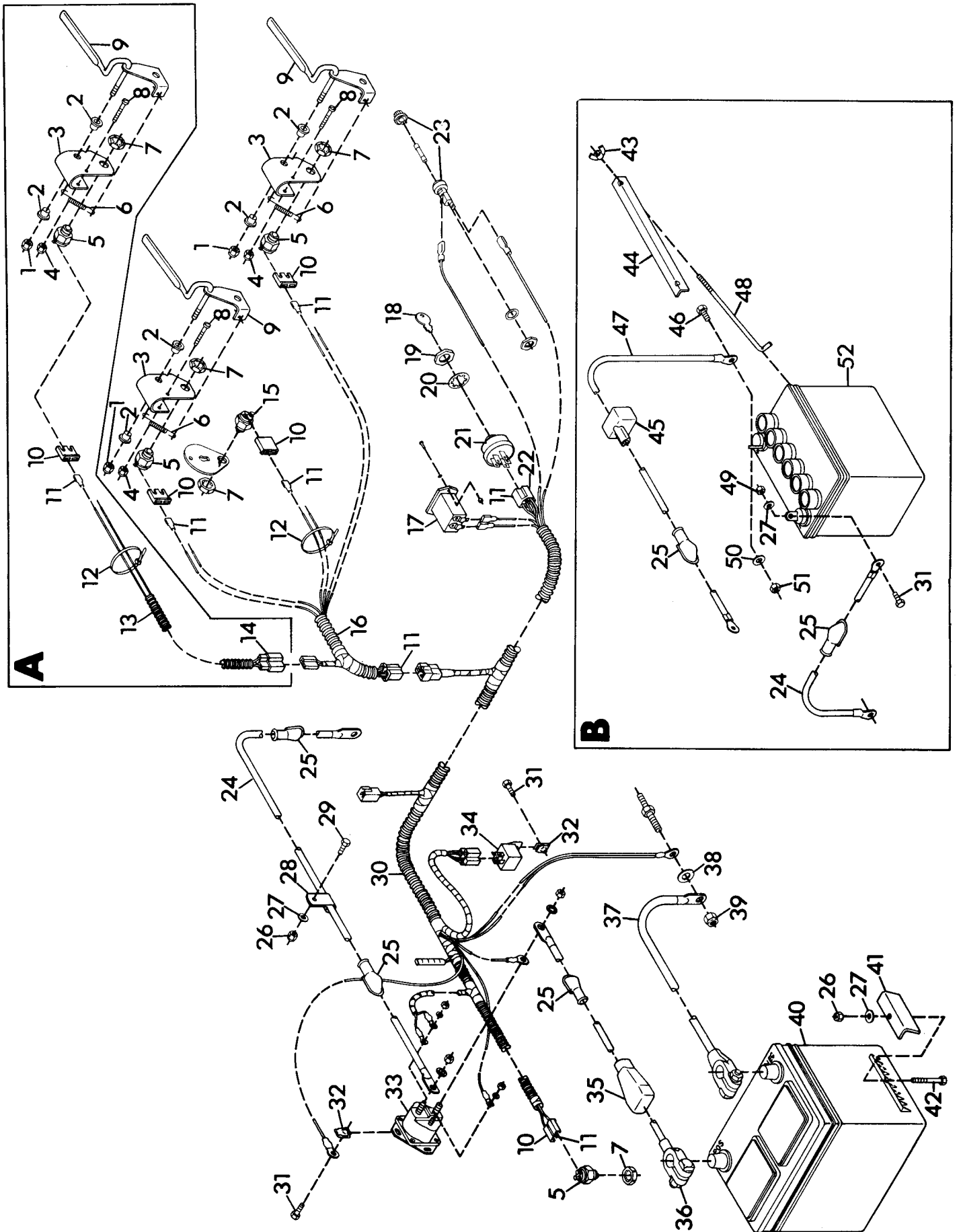


ELECTRICAL SYSTEM — MANUAL START MODELS

ITEM NO.	PART NO.	QTY.	DESCRIPTION
1	419455	3	Nut, Lock 5/16-18
2	41988	6	Bushing, Interlock Lever
3	44099	3	Bracket, Interlock Mounting
4	190254	3	Nut, Lock 10-24
5	20916	4	Switch, Interlock
6	41551	3	Spring, Interlock Lever
7	107354	5	Nut, Stamped 9/16-18
8	436738	3	Screw, Mach. 10-24x1.50 PHD
9	42133	3	Weldment, Handle
10	42176	5	Connector, 2-Wire Switch
11	38059	17	Terminal
12	41634	10	Tie Wrap, Black
13	42198	1	Harness, Steering Brake
14	38057	1	Connector
15	34640	1	Switch, Neutral Start
16	42173	1	Harness, Wiring Handlebar
17	419454	1	Nut, Lock 1/4-20
18	120392	1	Washer, Flat .281x.625x.065
19	35313	1	Clamp, Nylon
20	180020	1	Bolt, Hex 1/4-20x.75
21	18570	1	Key, Ignition Switch
22	18585	1	Nut, Jam 5/8-32
23	18586	1	Washer, Lock 5/8 Int. Tooth
24	30202	1	Switch
25	42027	1	Harness, Wiring
26	42178	1	Module, Interlock Recoil
27	180018	1	Bolt, Hex 1/4-20x.625
28	11676	1	Nut, Speed 1/4-20
29	120395	1	Washer, Flat .469x.938x.065
30	456004	1	Nut, Lock 3/8-16

NOTE: Items in Area A pertain only to tractors equipped with Steering Brake.

ELECTRICAL SYSTEM — ELECTRIC START MODELS



ELECTRICAL SYSTEM — ELECTRIC START MODELS

ITEM NO.	PART NO.	QTY.	DESCRIPTION
1	419455	3	Nut, Lock 5/16-18
2	41988	6	Bushing, Interlock Lever
3	44099	3	Bracket, Interlock Mounting
4	190254	3	Nut, Lock 10-24
5	20916	4	Switch, Interlock
6	41551	3	Spring, Interlock Lever
7	107354	5	Nut, Stamped 9/16-18
8	436738	3	Screw, Mach. 10-24x1.50 PHD
9	42133	3	Weldment, Handle
10	42176	5	Connector, 2-Wire Switch
11	38059	16	Terminal
12	41634	12	Tie Wrap, Black
13	42198	1	Harness, Steering Brake
14	38057	1	Connector
15	34640	1	Switch, Neutral Start
16	42173	1	Harness, Wiring Handlebar
17	38256	1	Hourmeter
18	18570	1	Key, Ignition Switch
19	19666	1	Nut, Jam 9/16-24
20	19667	1	Washer, Lock
21	19223	1	Switch, Ignition
22	38058	1	Connector
23	21416	1	Fuse, Panel
24	6981	1 (10, 12 and 16 HP)	Cable, Switch to Starter
	41814	2 (8 HP)	Cable, Negative Battery
25	33847	2 (10, 12 and 16 HP)	Boot, Battery Cable
		3 (8 HP)	
26	419454	4	Nut, Lock 1/4-20
27	120392	4	Washer, Flat .281x.625x.065
28	35313	2	Clamp, Nylon
29	180020	2	Bolt, Hex 1/4-20x.75
30	41650	1 (10, 12 and 16 HP)	Harness, Wiring
	41684	1 (8 HP)	Harness, Wiring
31	180018	1	Bolt, Hex 1/4-20x.625
32	11676	3	Nut, Speed 1/4-20
33	35634	1	Switch, Magnetic
34	40216	1	Relay
35	34466	1	Cover, Battery Terminal
36	21368	1	Cable, Positive Battery
37	40410	1 (10, 12 and 16 HP)	Cable, Negative Battery
38	120395	1	Washer, Flat .469x.938x.065
39	456004	1	Nut, Lock 3/8-16
40	42597	1 (10, 12 and 16 HP)	Battery, 12 Bolt
41	37742	2 2 (8 HP)	Clamp
42	180044	2	Bolt, Hex 1/4-20x2.00

ELECTRICAL SYSTEM — ELECTRIC START MODELS

ITEM NO.	PART NO.	QTY.	DESCRIPTION
43	10413	2	Nut, Wing 1/4-20
44	15258	1	Hold Down, Battery
45	33846	1	Boot, Battery Cable
46	180075	1	Bolt, Hex 5/16-18x.625
47	41815	1 (8 HP)	Cable, Battery to Solenoid
48	15257	2	Hook, Battery Hold Down
49	120375	1	Nut, Hex 1/4-20
50	120393	1	Washer, Flat .344x.688x.065
51	417954	1	Nut, Hex 5/16-18
52	30610	1 (8 HP)	Battery, 12 Volt
NS	11989	1	Decal, E.S. Warning

NOTE: Items in Area A pertain only to tractors equipped with Steering Brakes. Items in Area B pertain to 8 H.P. units only.