



# PROFESSIONAL 4-WHEEL TRACTORS (G SERIES) ILLUSTRATED PARTS LIST

FORM NO. 50281(9-90)

PART NO. 50120, 50121, 50122,  
50123, 50124, 50125

PRINTED IN USA  
\$5.00

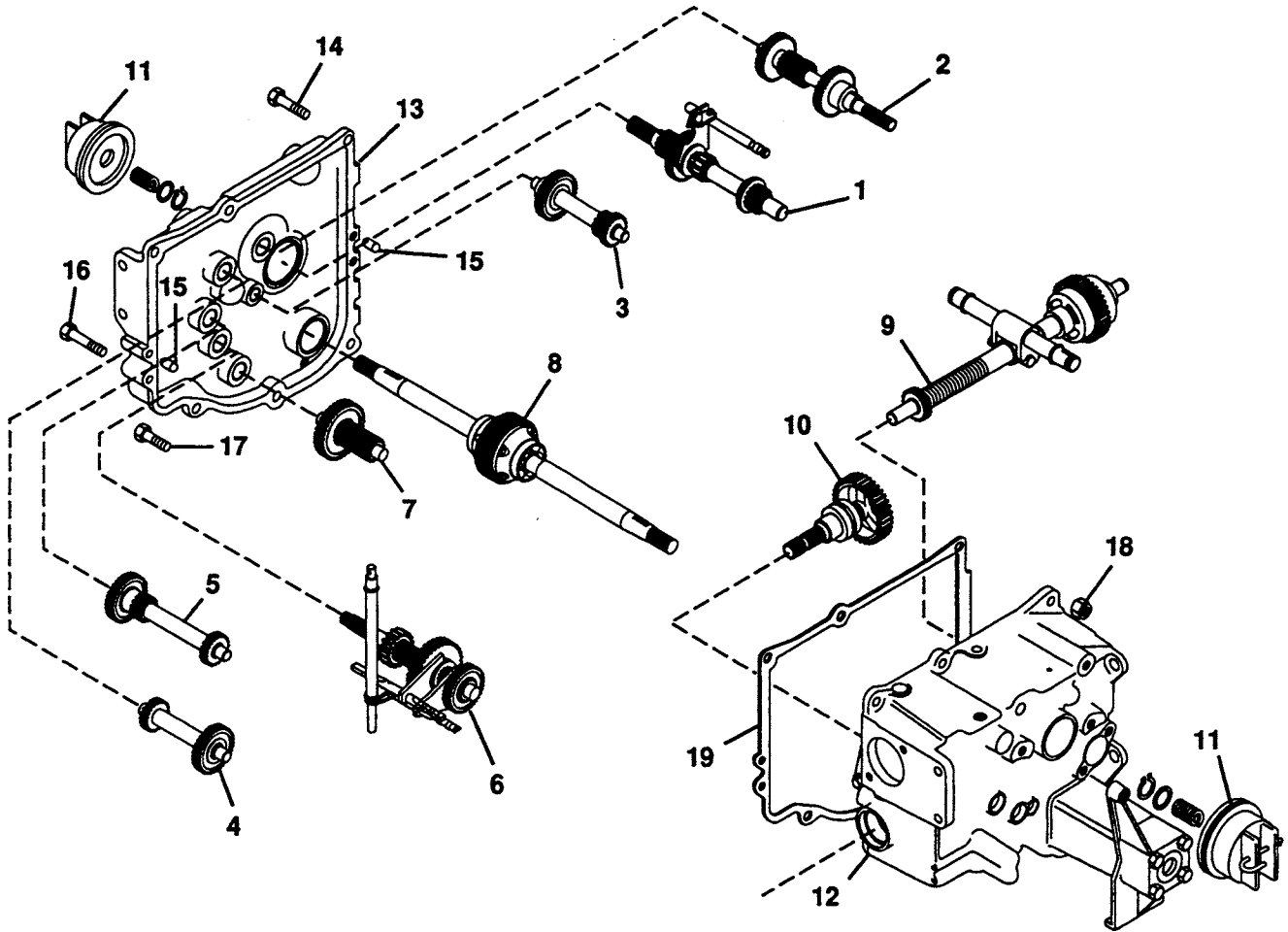
TO CONTINUE ITS PROGRAM OF QUALITY AND DESIGN IMPROVEMENTS, THE MANUFACTURER RESERVES THE RIGHT TO CHANGE SPECIFICATIONS, DESIGNS AND PRICES WITHOUT NOTICE AND WITHOUT INCURRING OBLIGATION. THE MANUFACTURER ALSO RESERVES THE RIGHT TO SHIP WITHOUT NOTICE AND WITHOUT INCURRING OBLIGATION.



# TABLE OF CONTENTS

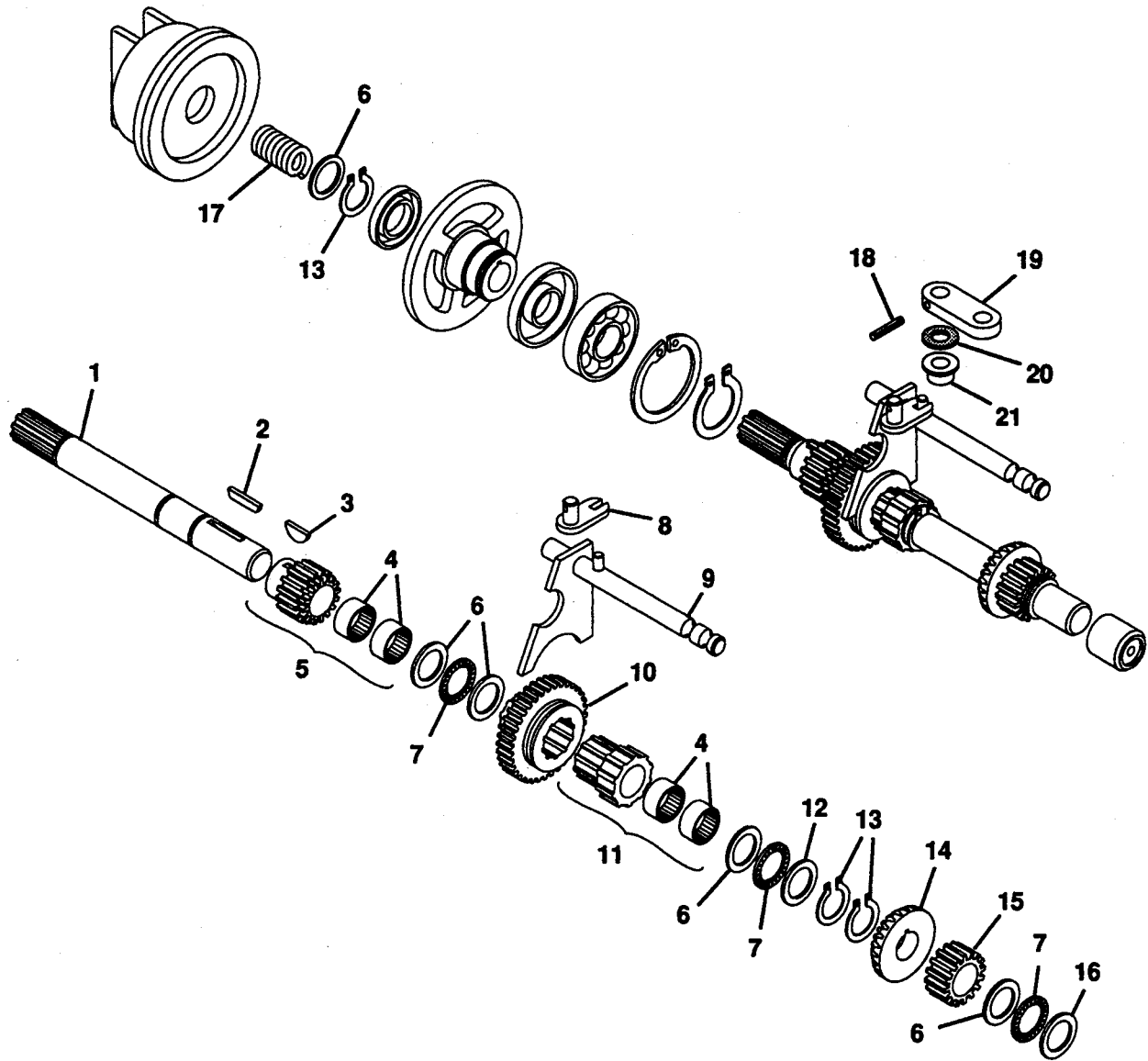
	<u>Page</u>
Transmission .....	1
Number One Shaft - Forward Clutch .....	2
Number Two Shaft - Reverse Clutch .....	3
Number Three Shaft - 3rd and 4th Gear .....	4
Number Four Shaft - Idler .....	4
Number Five Shaft - 1st and 2nd Gear .....	4
Number Six Shaft - Brake/Sliding Gear .....	6
Number Seven Shaft - Pinion/Final Drive .....	6
Number Eight Shaft - Differential Assembly .....	8
Number Nine Shaft - PTO Clutch .....	8
Number Ten Shaft - PTO Drive Assembly .....	10
Number Eleven - Fwd-Rev Clutch Assembly .....	10
Number Twelve - Transmission Case Assembly .....	12
Number Thirteen - Transmission Cover Assembly .....	14
Frame .....	16
Hood and Grille .....	18
Rear Deck and Seat .....	20
Rear Hitch .....	22
Front and Rear Wheels .....	23
Hydraulic System .....	24
Manual Lift .....	26
Steering - 14 H.P and 16 H.P. Units .....	28
- 18 H.P and 20 H.P. Units .....	30
Direction Control .....	32
Transmission Controls .....	34
Brake Linkage .....	36
Fuel and Exhaust System - 14 H.P. Units .....	38
- 16 H.P., 18 H.P and 20 H.P. Units .....	40
Electrical System .....	42

# TRANSMISSION



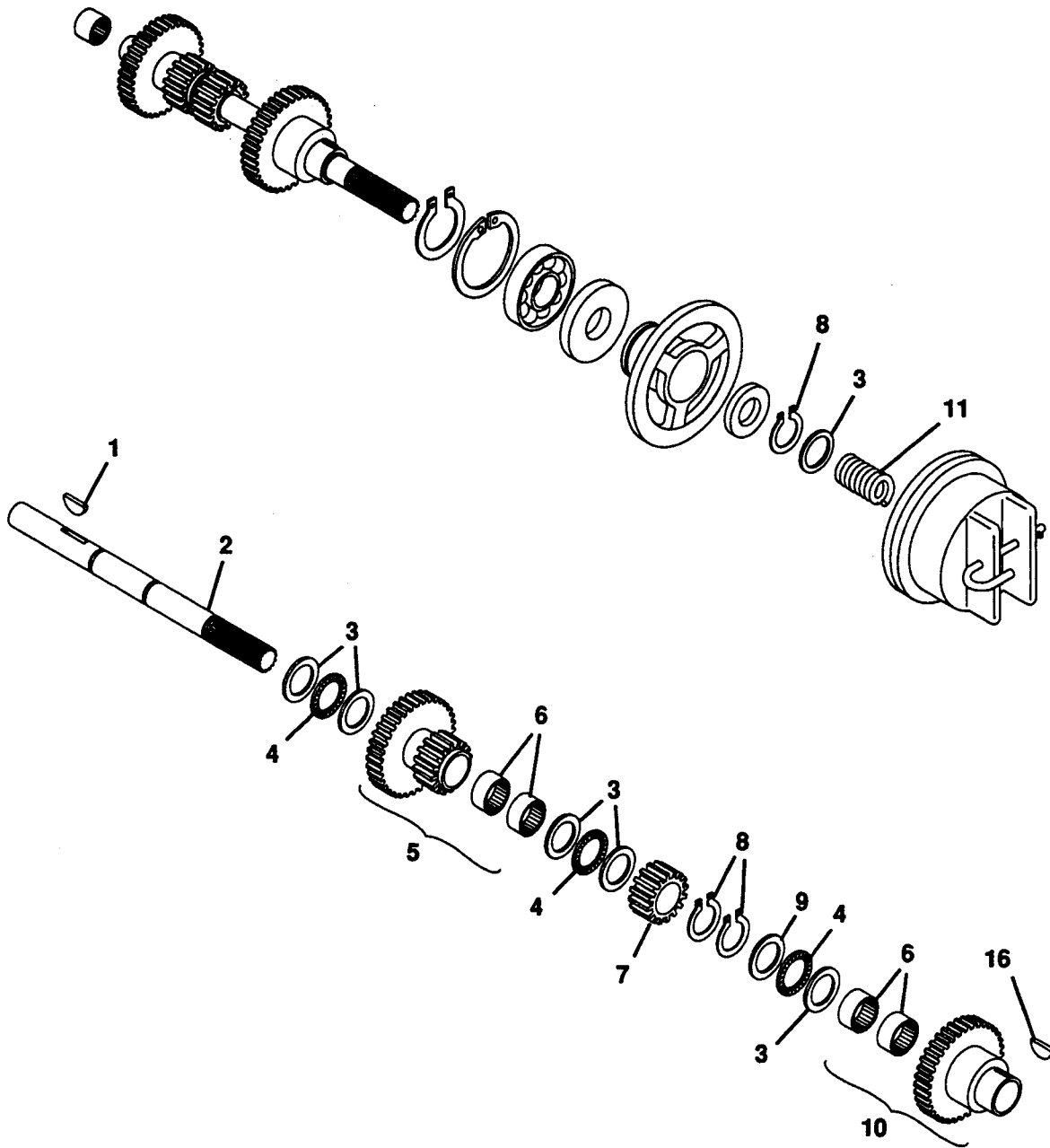
ITEM NO.	PART NO.	QTY.	DESCRIPTION	ITEM NO.	PART NO.	QTY.	DESCRIPTION
1			No. 1 Shaft, Forward Clutch	11			No. 11, Fwd-Rev Clutch Asm.
2			No. 2 Shaft, Reverse Clutch	12			No. 12, Transmission Case Asm.
3			No. 3 Shaft, 3rd and 4th Gear	13			No. 13, Transmission Cover Asm.
4			No. 4 Shaft, Idler	14	180130	2	Bolt, Hex 3/8-16x2.00
5			No. 5 Shaft, 1st and 2nd Gear	15	18089	2	Pin, Dowel .375x.625
6			No. 6 Shaft, Brake-Sliding Gear	16	180132	2	Bolt, Hex 3/8-16x2.25
7			No. 7 Shaft, Pinion-Final Drive	17	180126	4	Bolt, Hex 3/8-16x1.50
8			No. 8 Shaft, Differential Asm.	18	456004	6	Nut, Lock 3/8-16
9			No. 9 Shaft, PTO Clutch	19	18027	1	Gasket, Transmission Cover
10			No. 10 Shaft, PTO Drive Asm.				

## NUMBER ONE SHAFT - FORWARD CLUTCH



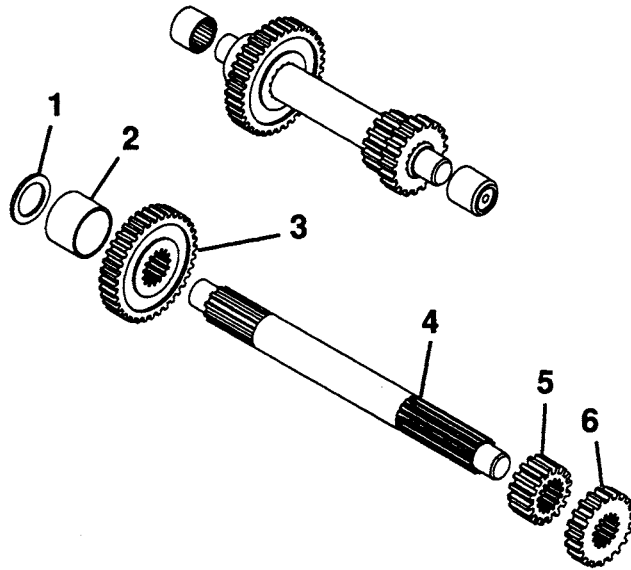
ITEM NO.	PART NO.	QTY.	DESCRIPTION	ITEM NO.	PART NO.	QTY.	DESCRIPTION
1	46371	1	Shaft, Fwd Clutch	12	6742	1	Race, .060 Bearing Thrust
2	117989	1	Key, Woodruff .188x1.25 Hrd #19	13	11135	3	Ring, Retaining .750 Shaft
3	431787	1	Key, Woodruff .188x.625 Hrd #61	14	45585	1	Gear, Bevel
4	17949	4	Bearing, Needle .75x1x.50	15	18003	1	Gear, 10 DP 16 Teeth x .750 Std.
5	18025	1	Gear and Bearing Assembly	16	14998	1	Race, Thrust .752x1.240x.095
6	11223	5	Race, Brg Thrust .752x1.240x.030	17	20444	1	Spring, Comp. 1.0x.80x36 lb/in
7	6741	3	Bearing, Thrust .752x1.240x.078	18	421202	1	Pin, Spring .188x1.00
8	17926	1	Weldment, Shifter	19	17929	1	Arm, Shifter
9	20755	1	Weldment, Shift Rail	20	21141	1	Washer, Felt
10	18011	1	Gear, Spur	21	17925	1	Bushing, 2-Speed
11	18007	1	Gear and Bearing Assembly				

## NUMBER TWO SHAFT - REVERSE CLUTCH

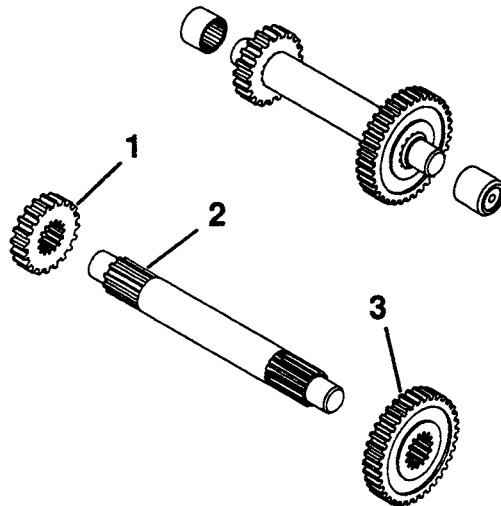


ITEM NO.	PART NO.	QTY.	DESCRIPTION	ITEM NO.	PART NO.	QTY.	DESCRIPTION
1	431787	2	Key, Woodruff .188x.625 Hrd #61	7	18003	1	Gear, 10 DP 16 Teeth x .750 Std.
2	34730	1	Shaft, Splined Rev Clutch	8	11135	3	Ring, Retaining .750 Shaft
3	11223	6	Race, Brg Thrust .752x1.240x.030	9	6742	1	Race, .060 Bearing Thrust
4	6741	3	Brg, Needle Thrust .752x1.24x.078	10	17947	1	Assembly, Reverse Gear and Brg
5	18020	1	Gear, Idler Assembly	11	20444	1	Spring, Comp. 1.0x.80x36 lb/in
6	17949	4	Bearing, Needle .75x1x.50				

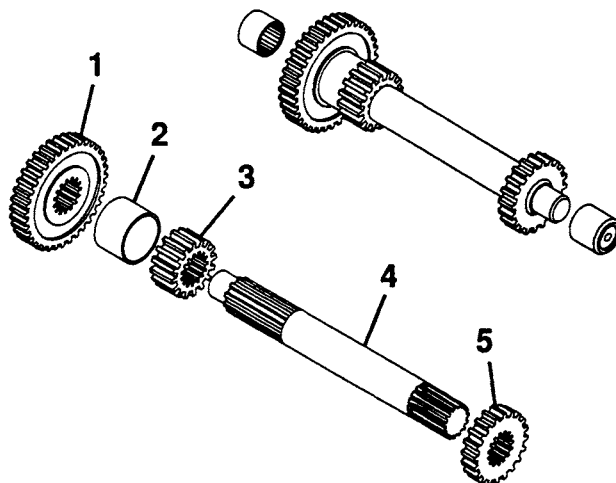
**NUMBER THREE SHAFT - 3RD AND 4TH GEAR**



**NUMBER FOUR SHAFT - IDLER**



**NUMBER FIVE SHAFT - 1ST AND 2ND GEAR**



**NUMBER THREE SHAFT - 3RD AND 4TH GEAR**

ITEM NO.	PART NO.	QTY.	DESCRIPTION	ITEM NO.	PART NO.	QTY.	DESCRIPTION
1	18000	1	Brg, Thrust Race .627x1.115x.094	4	17997	1	Shaft, Splined
2	17999	1	Spacer, 1.027x1.125x.457	5	17992	1	Gear, 10 DP 16 Teeth x .750
3	19535	1	Gear	6	15118	1	Gear, 10 DP 20 Teeth x .600

**NUMBER FOUR SHAFT - IDLER**

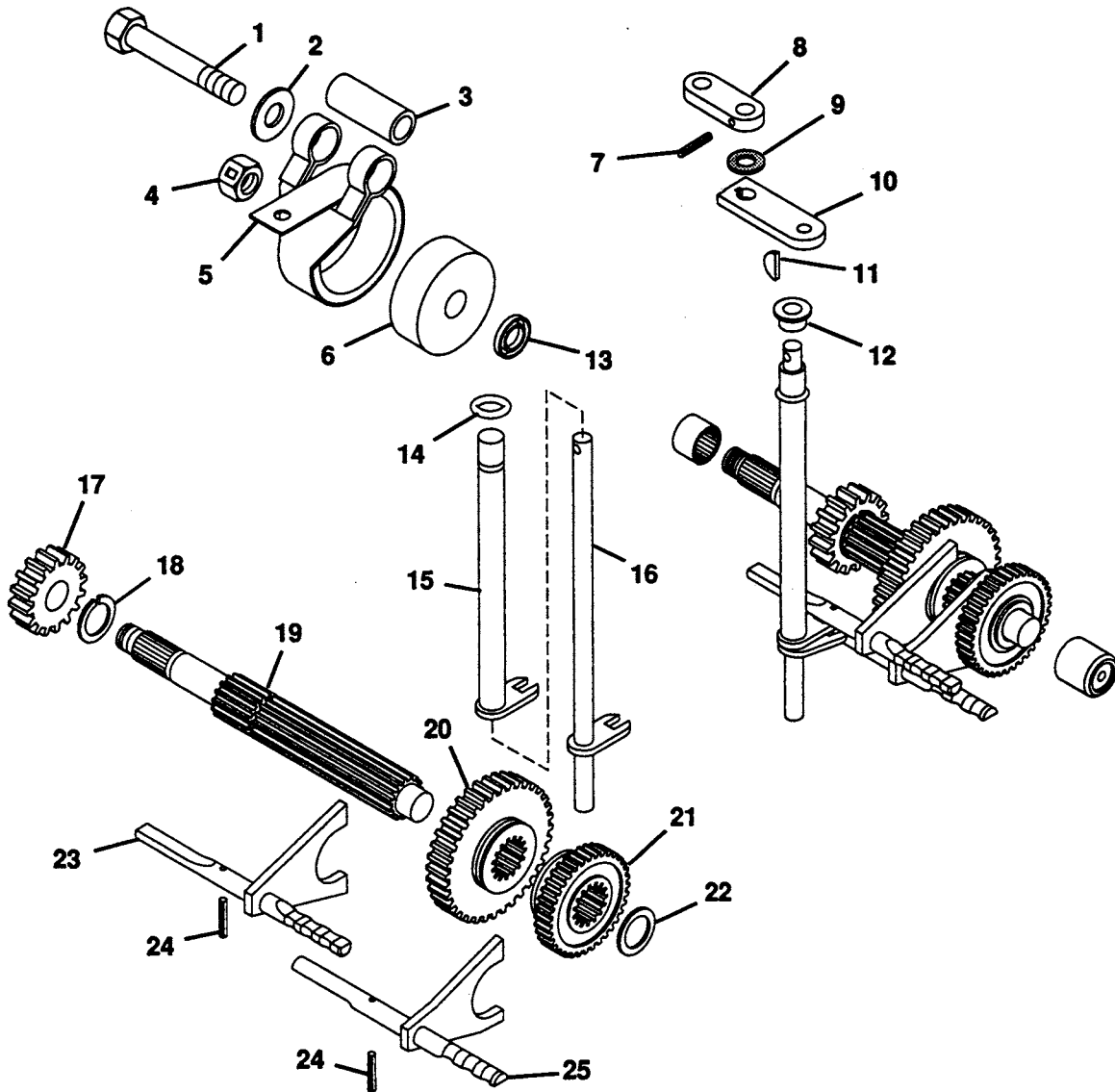
ITEM NO.	PART NO.	QTY.	DESCRIPTION	ITEM NO.	PART NO.	QTY.	DESCRIPTION
1	15118	1	Gear, 10 DP 20 Teeth x .600	3	15115	1	Gear, 10 DP 30 Teeth x .500
2	17995	1	Shaft, Splined				

**NUMBER FIVE SHAFT - 1ST AND 2ND GEAR**

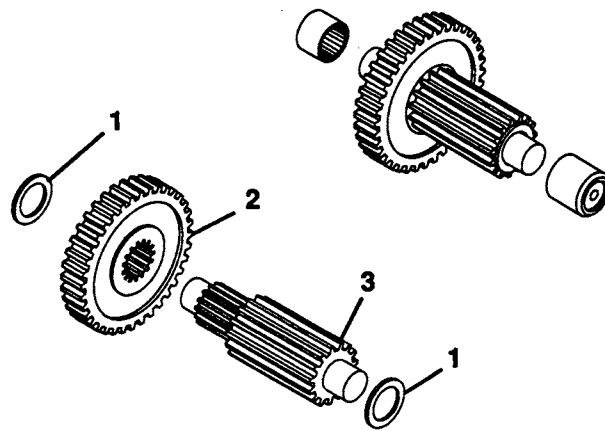
ITEM NO.	PART NO.	QTY.	DESCRIPTION	ITEM NO.	PART NO.	QTY.	DESCRIPTION
1	15115	1	Gear, 10 DP 30 Teeth x .500	4	17989	1	Shaft, Splined
2	17993	1	Spacer, 1.027x1.125x.550	5	15118	1	Gear, 10 DP 20 Teeth x .600
3	17992	1	Gear, 10 DP 16 Teeth x .750				



### NUMBER SIX SHAFT - BRAKE/SLIDING GEAR



### NUMBER SEVEN SHAFT - PINION/FINAL DRIVE



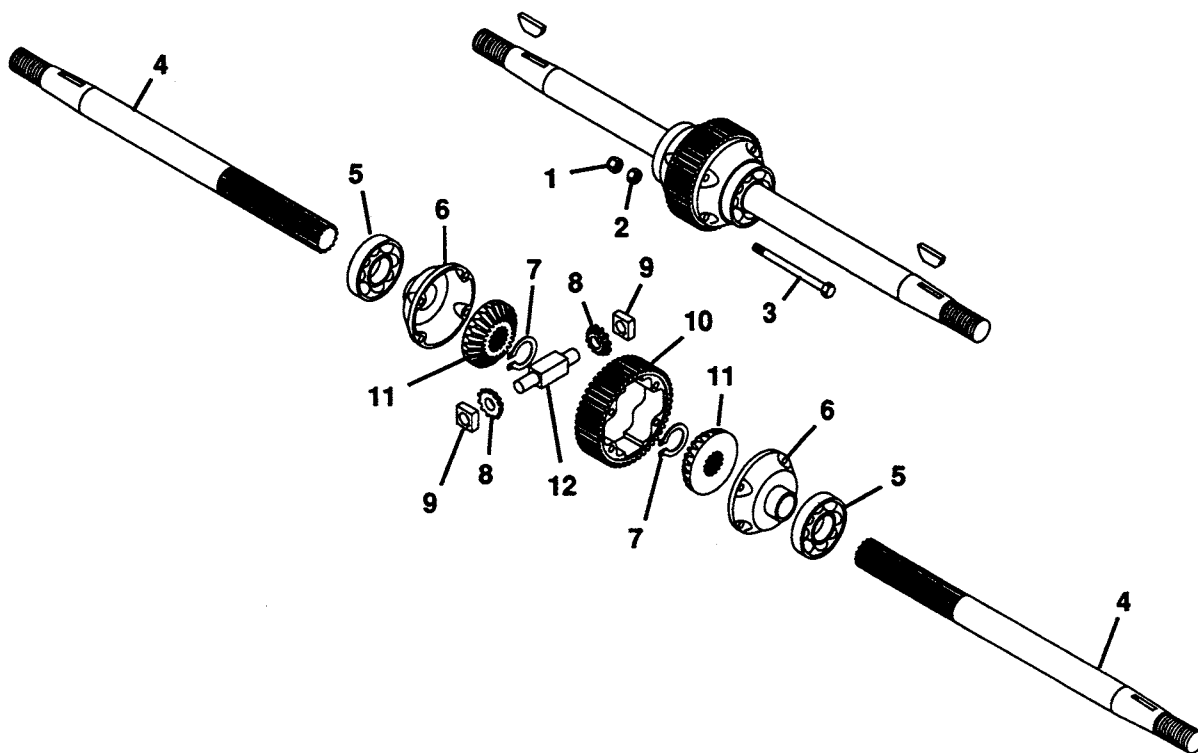
**NUMBER SIX SHAFT - BRAKE/SLIDING GEAR**

ITEM NO.	PART NO.	QTY.	DESCRIPTION	ITEM NO.	PART NO.	QTY.	DESCRIPTION
1	180188	1	Bolt, Hex 1/2-13x2.75	14	18018	1	O-Ring, 5/8x3/4x1/16
2	120396	1	Washer, Flat .531x1.062x.095	15	17940	1	Weldment, 1st and 3rd Shifter
3	18165	1	Bushing, .530x.750x2.06	16	17937	1	Weldment, 2nd and 4th Shifter
4	414075	1	Nut, Lock 5/8-11	17	14988	1	Gear, 8 DP 16 Teeth x .850
5	40732	1	Assembly, Brake Band	18	14987	1	Ring, Retaining 1.00 Shaft
6	21371	1	Drum, Brake	19	21370	1	Shaft, Slide Gear
7	421202	1	Pin, Spring .188x1.000	20	14989	1	Gear, Sliding 10 DP 36 Teeth x .59
8	17945	1	Arm, Shifter	21	14995	1	Gear, Sliding 10 DP 30 Teeth x .59
9	21141	1	Washer, Felt (Special for Trans.)	22	14998	1	Race, Brg Thrust .752x1.240x.095
10	17944	1	Arm, Shifter	23	20761	1	Wldmt, Rail Shift Fork 1&3 Range
11	271089	1	Key, Woodruff .125x.375 Hard	24	456384	2	Pin, Spring .25x.75
12	17943	1	Bushing, .756x1.125x.75	25	20762	1	Wldmt, Rail Shift Fork 2&4 Range
13	15137	1	Seal, Oil .750x1.254x.188				

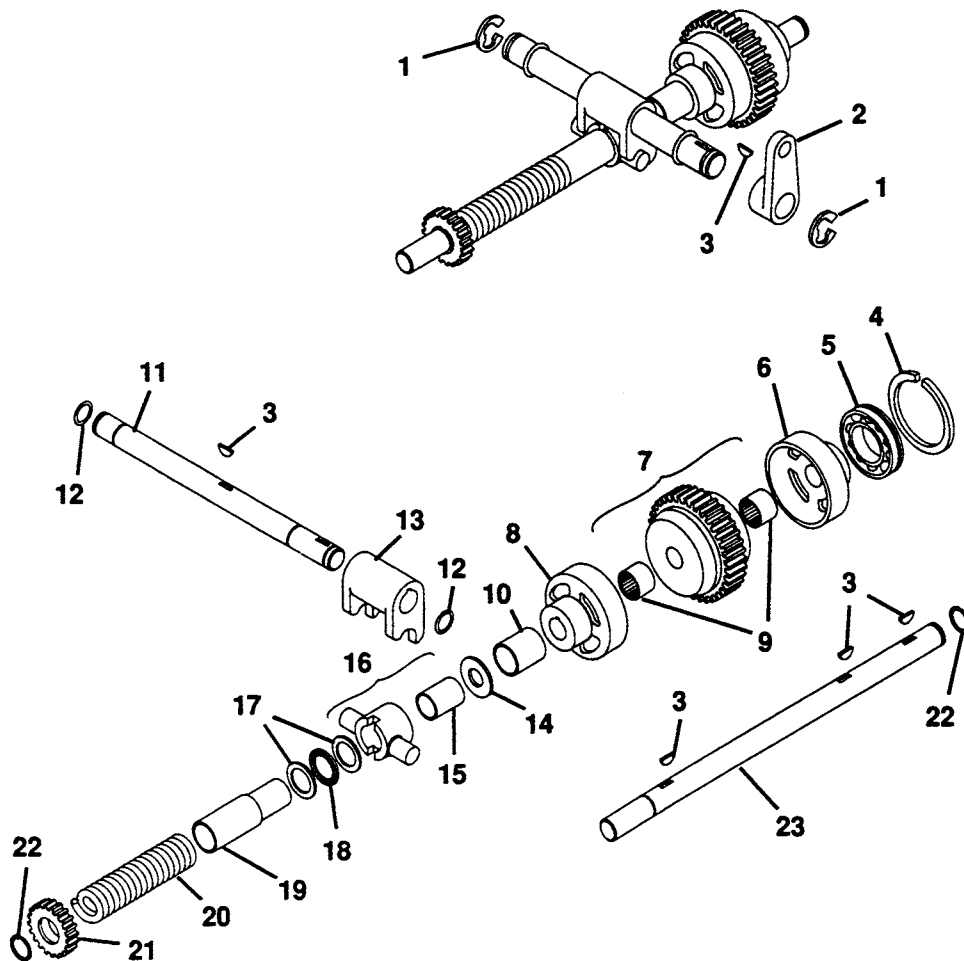
**NUMBER SEVEN SHAFT - PINION/FINAL DRIVE**

ITEM NO.	PART NO.	QTY.	DESCRIPTION	ITEM NO.	PART NO.	QTY.	DESCRIPTION
1	19340	2	Race, Brg Thrust 1.002x1.552x.03	3	17986	1	Pinion, Final Drive
2	17987	1	Gear, 8 DP 30 Teeth x .750				

### NUMBER EIGHT SHAFT - DIFFERENTIAL ASSEMBLY



### NUMBER NINE SHAFT - PTO CLUTCH



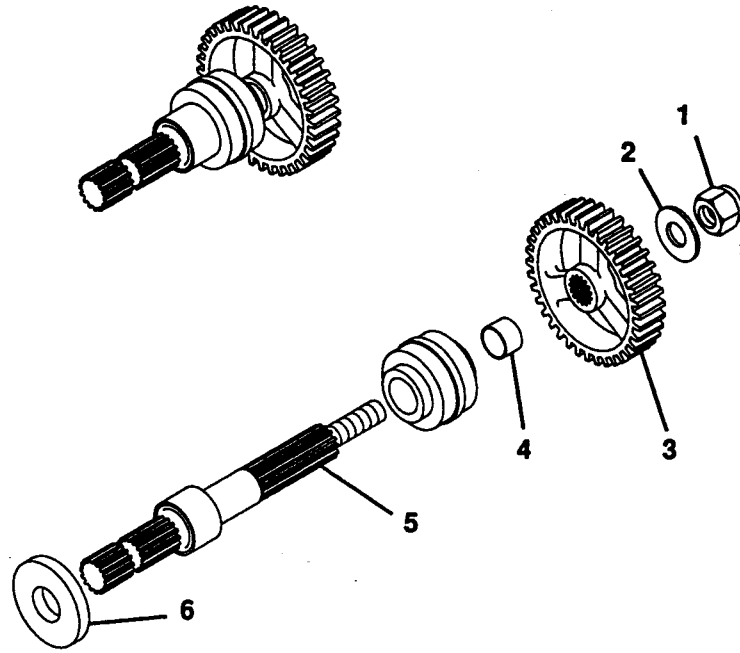
**NUMBER EIGHT SHAFT - DIFFERENTIAL ASSEMBLY**

ITEM NO.	PART NO.	QTY.	DESCRIPTION	ITEM NO.	PART NO.	QTY.	DESCRIPTION
1	419455	4	Nut, Lock 5/16-18	7	21608	2	Ring, Retaining 1.000 Shaft
2	20514	4	Nut, Hex 5/16-18 Grade-8	8	19952	2	Pinion, Bevel
3	23712	4	Bolt, Hex 5/16-18x2.75 Grade-8	9	46376	2	Block, Drive
4	50116	2	Axle, Bevel Gear Differential	10	23531	1	Gear, Final Drive
5	46014	2	Bearing, Ball	11	46012	2	Gear, Bevel
6	46013	2	Cap, Differential End	12	19954	1	Pin, Spider Pinion

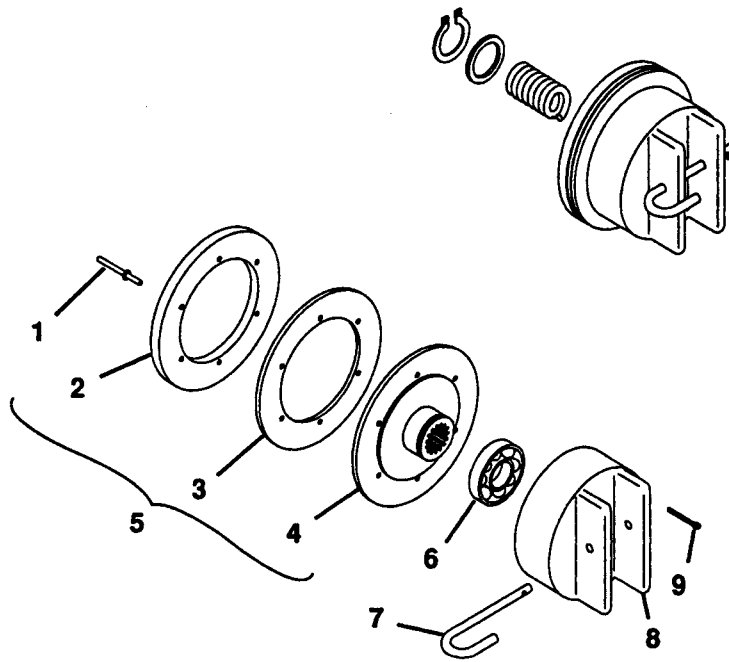
**NUMBER NINE SHAFT - PTO CLUTCH**

ITEM NO.	PART NO.	QTY.	DESCRIPTION	ITEM NO.	PART NO.	QTY.	DESCRIPTION
1	11270	2	E-Ring, .750 Shaft	13	18016	1	Yoke, PTO
2	18019	1	Lever, PTO	14	14998	1	Race, Thrust Brg .752x1.240x.095
3	124549	5	Key, Woodruff .187x.750 Hard #9	15	17962	1	Bushing
4	17966	1	Ring, Retaining 1.375 Eaton 340-1	16	17960	1	Assembly, Shifting Collar
5	17967	1	Bearing, Ball 1.378x2.440x.551	17	17959	2	Brg, Thrust Race 1.002x1.552x.09
6	17952	1	Cup, Clutch	18	11225	1	Brg, Needle Thrust 1.002x1.552
7	17953	1	Assembly, Clutch Cone Bearing	19	34194	1	Throw-Out, PTO
8	17957	1	Cup, Clutch	20	34193	1	Spring, Comp. 5x1.50x200 Rate
9	17949	2	Bearing, Needle .750x1.00x.50	21	17965	1	Gr, Spur 10 DP 22 Teeth x 1.2 Std.
10	17958	1	Spacer, PTO	22	15733	2	Ring, Retaining .750 Shaft
11	18017	1	Shaft, PTO Yoke	23	17951	1	Shaft, PTO Clutch
12	18018	2	O-Ring, .625x.750x.060				

**NUMBER TEN SHAFT - PTO DRIVE ASSEMBLY**



**NUMBER ELEVEN - FWD-REV CLUTCH ASSEMBLY**



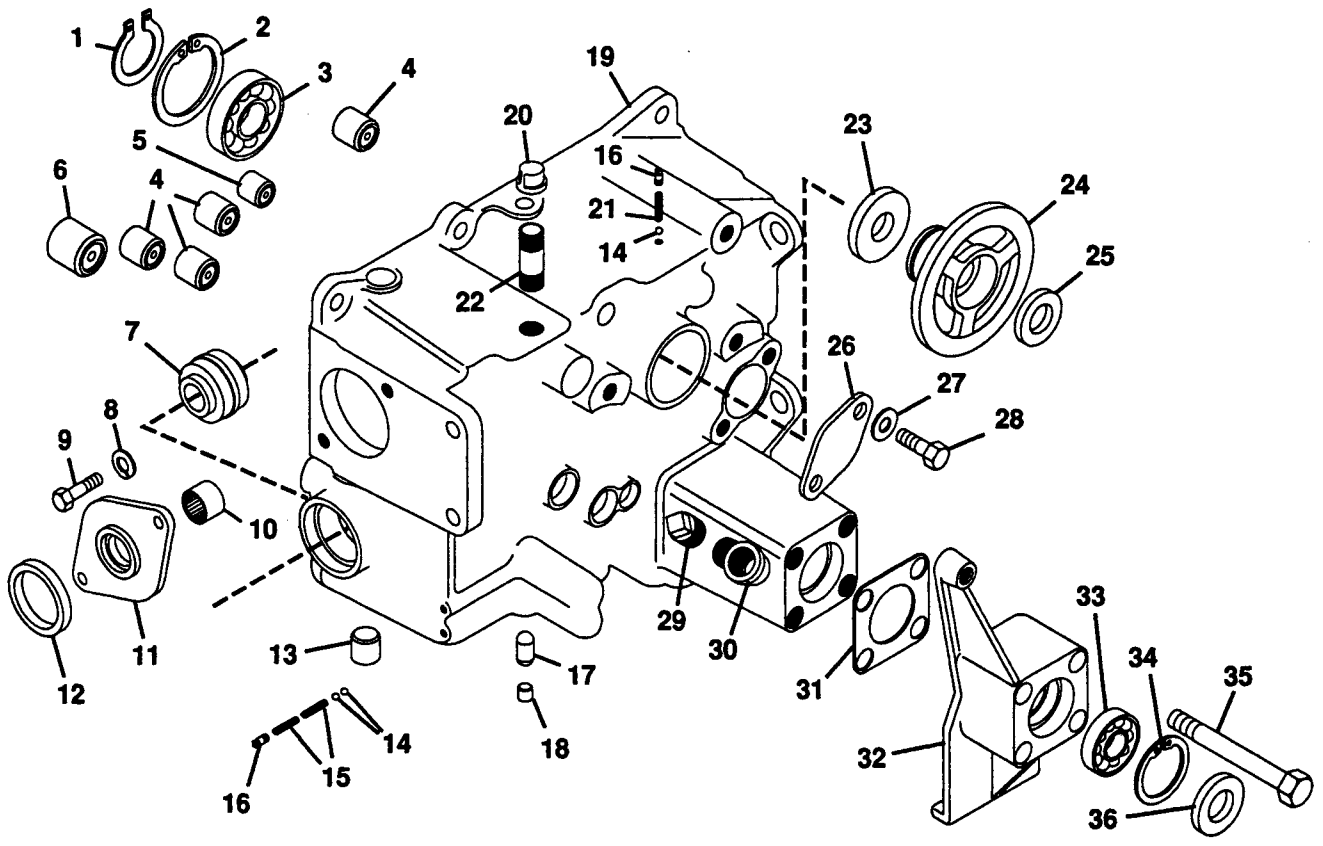
**NUMBER TEN SHAFT - PTO DRIVE ASSEMBLY**

ITEM NO.	PART NO.	QTY.	DESCRIPTION	ITEM NO.	PART NO.	QTY.	DESCRIPTION
1	414075	1	Nut, Lock 5/8-11	4	17924	1	Spacer, 1.060x1.375x.450
2	33845	1	Washer, Flat .687x1.312x.122	5	19538	1	Shaft, PTO
3	17922	1	Gear, Spur PTO 10 DP 56 T x .75	6	17923	1	Seal, Oil 1.375x2.129x.312

**NUMBER ELEVEN - FWD-REV CLUTCH ASSEMBLY**

ITEM NO.	PART NO.	QTY.	DESCRIPTION	ITEM NO.	PART NO.	QTY.	DESCRIPTION
1	44141	1	Rivet, Steel (Bag of 50)	6	35330	2	Bearing, Ball 1.574x3.149x.708
2	40692	2	Lining, Clutch	7	35681	2	Pin, Clutch Spring
3	42481	2	Ring, Clutch	8	34734	2	Trunnion, Fwd-Rev Clutch
4	42484	2	Disc, Clutch	9	121223	2	Pin, Cotter .06x.75
5	42482	2	Assembly, Clutch and Ring				

# NUMBER TWELVE - TRANSMISSION CASE ASSEMBLY



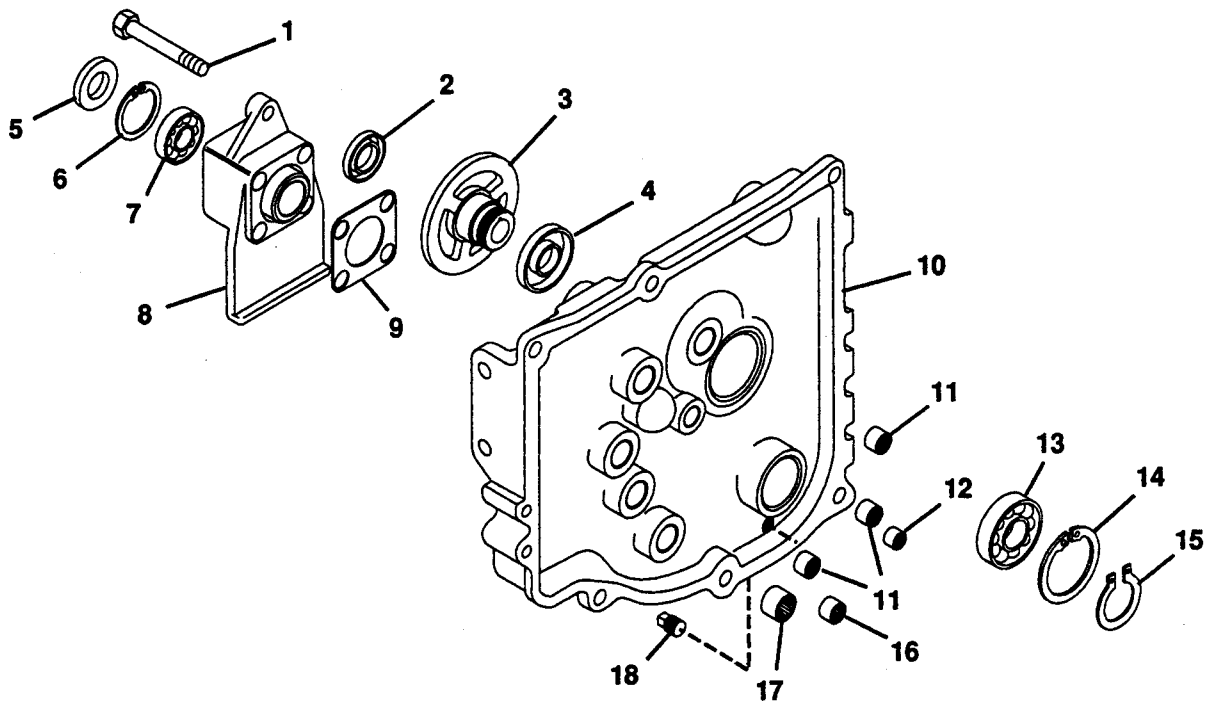
**NUMBER TWELVE - TRANSMISSION CASE ASSEMBLY**

ITEM NO.	PART NO.	QTY.	DESCRIPTION	ITEM NO.	PART NO.	QTY.	DESCRIPTION
1	17919	1	Ring, Retaining 1.969 Shaft	19	50115	1	Assembly, Transmission Case
2	18872	1	Ring, Retaining 3.156 Bore	20	19472	1	Cap, Pipe 1/2 NPT
3	17915	1	Bearing, Ball 1.968x3.149x.629	21	24772	1	Spring
4	17913	4	Bearing, Needle .75x1x.75	22	121664	1	Nipple, Pipe 1/2x2.5
5	17914	1	Bearing, Needle .625x.812x.750	23	17917	1	Seal, Oil 2.250x3.005x.375
6	17912	1	Brg, Needle 1.000x1.250x.750	24	18024	1	Hub, Clutch
7	14640	1	Asm, Bearing 1.000x1.980x1.243	25	18035	1	Seal, Oil .75x1.625x.25
8	120214	2	Washer, Lock 5/16 Reg.	26	18421	1	Plate, Cover
9	180079	2	Bolt, Hex 5/16-18x1.00	27	120394	2	Washer, Flat .406x.812x.065
10	9660	1	Bearing	28	180120	2	Bolt, Hex 3/8-16x.750
11	46302	1	Cap, Front PTO	29	103880	1	Plug, Pipe 1/2
12	15137	1	Seal, Oil .750x1.254x.188	30	108686	1	Elbow, 1/2 90 Degree Street
13	17946	1	Plug	31	18030	1	Gasket (Service Only)
14	274301	5	Ball, Steel 5/16	32	42976	1	Retainer, Axle Bearing
15	17936	4	Spring, Comp. 1.50x.30x26 lb/in	33	50473	1	Bearing, Ball Sealed
16	103877	3	Plug, Pipe 1/8	34	18812	1	Ring, Retaining
17	18200	1	Pin, Interlock	35	180191	4	Bolt, Hex 1/2-13x3.25
18	421743	1	Plug, Cup 3/8	36	51096	1	Seal, Oil Axle

NOTE: Item Number 19 - Transmission Case Assembly includes Item Numbers 4 through 7.



# NUMBER THIRTEEN - TRANSMISSION COVER ASSEMBLY

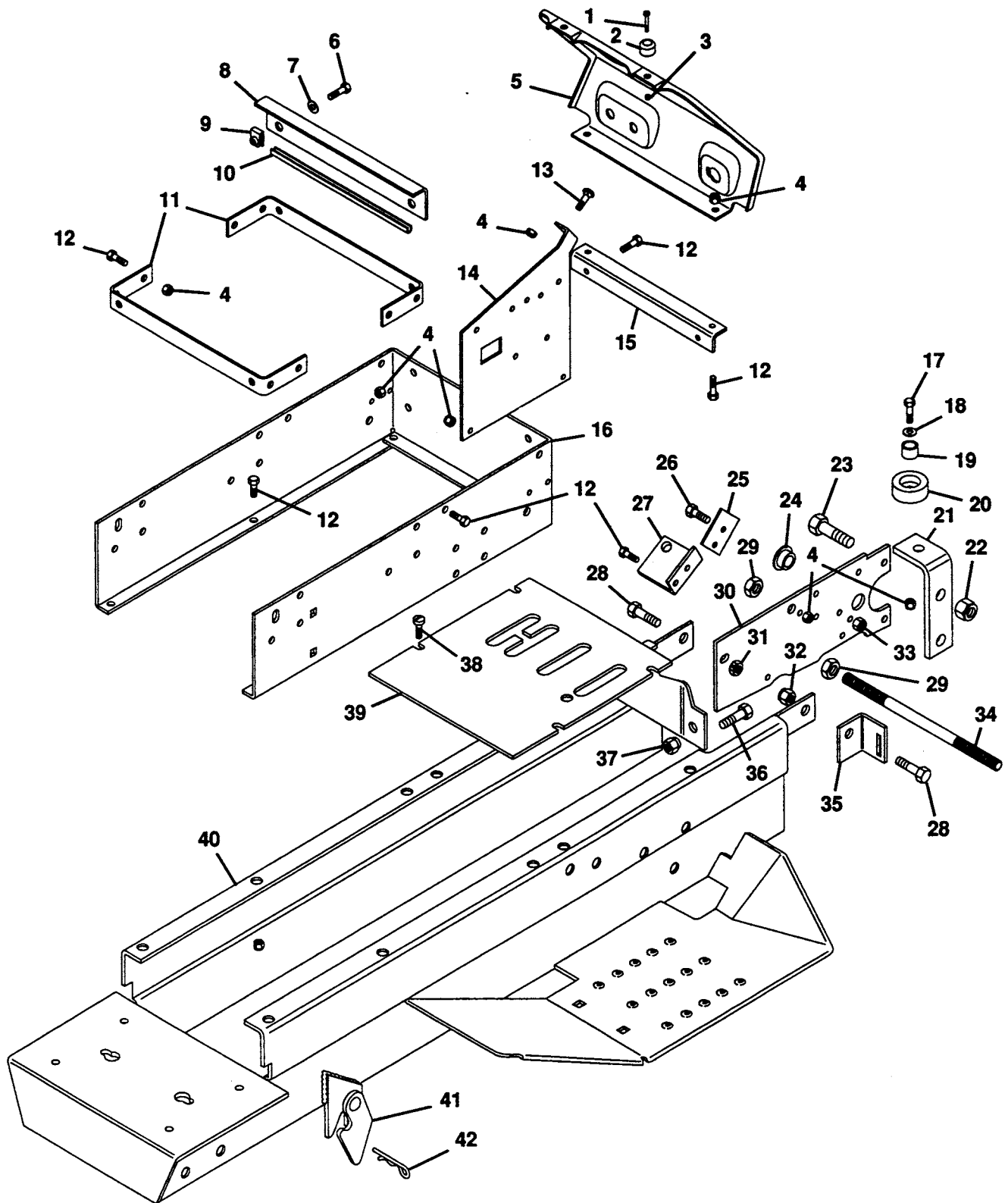


**NUMBER THIRTEEN - TRANSMISSION COVER ASSEMBLY**

<b>ITEM NO.</b>	<b>PART NO.</b>	<b>QTY.</b>	<b>DESCRIPTION</b>	<b>ITEM NO.</b>	<b>PART NO.</b>	<b>QTY.</b>	<b>DESCRIPTION</b>
1	180191	4	Bolt, Hex 1/2-13x3.25	10	50117	1	Assembly, Transmission Cover
2	18035	1	Seal, Oil .750x1.625x.250	11	17913	3	Bearing, Needle .75x1x.75
3	50604	1	Hub, Clutch	12	17914	1	Bearing, Needle .625x.812x.75
4	46323	1	Seal, Oil	13	46321	1	Bearing, Ball
5	51096	1	Seal, Oil Axle	14	46322	1	Ring, Retaining
6	18812	1	Ring, Retaining .08 Thick	15	17919	1	Ring, Retaining 1.969 Shaft
7	50473	1	Bearing, Ball Sealed	16	11063	1	Bearing, Needle .75x1x.75
8	46061	1	Retainer, Axle Bearing	17	17912	1	Brg, Needle 1.000x1.250x.750
9	18030	1	Gasket (Service Only)	18	103879	1	Plug, Pipe 3/8

NOTE: Item Number 10 - Transmission Cover Assembly includes Item Numbers 3, 4 and 11 through 17.

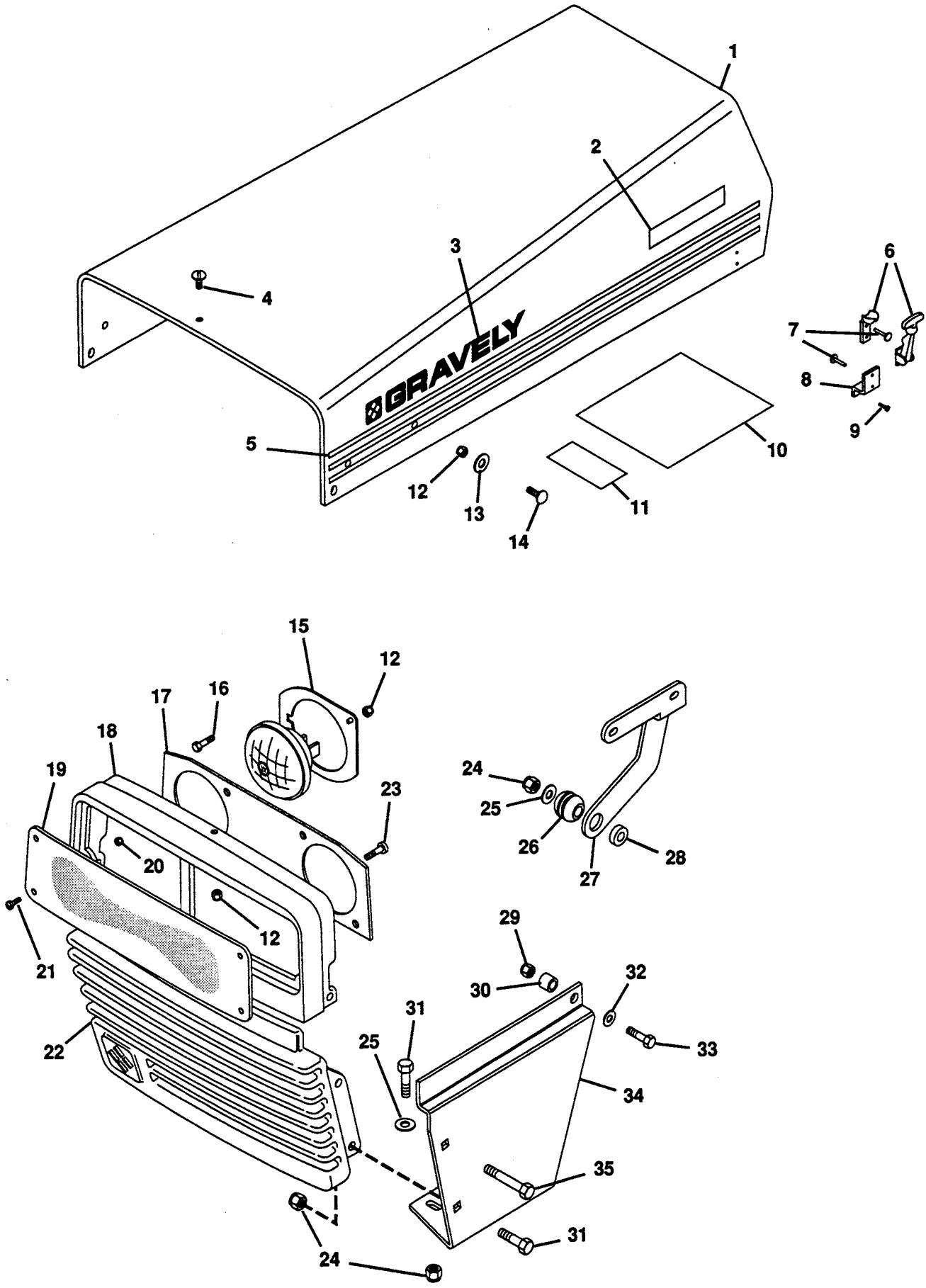
# FRAME



## FRAME

ITEM NO.	PART NO.	QTY.	DESCRIPTION	ITEM NO.	PART NO.	QTY.	DESCRIPTION
1	159341	2	Screw, Machine 6-32x.625 PHD	23	180177	4	Bolt, Hex 1/2-13x1.50
2	18183	2	Bumper	24	10174	2	Bushing, Nylon .76x1.00x.76 Flg
3	427254	2	Nut, Machine Lock 6-32	25	40822	2	Bracket, Bushing Lock
4	419454	26	Nut Lock 1/4-20	26	180077	4	Bolt, Hex 5/16-18x.75
5	46286	1	Panel, Instrument	27	46305	1	Bracket, Interlock Switch
6	180021	4	Bolt, Hex 1/4-20x.875	28	180124	2	Bolt, Hex 3/8-16x1.25
7	120392	4	Washer, Flat .281x.625x.065	29	120378	4	Nut, Hex 1/2-13
8	22421	2	Bracket, Forward Tank	30	52662	2	Plate, Fwd-Rev Mounting
9	32369	4	Nut, Retainer	31	413534	1	Nut, Lock 3/8-16
10	14897	2	Moulding	32	456004	1	Nut, Lock 3/8-16
11	40141	2	Bracket, Fuel Tank	33	419455	4	Nut, Lock 5/16-18
12	180020	22	Bolt, Hex 1/4-20x.75	34	40207	1	Rod, Frame Extension Brace
13	160541	2	Screw, Machine 1/4-20x.75 PHD	35	18362	1	Bracket, Fender Hold-Up
14	40449	1	Brace, Instrument Panel L.H.	36	181700	4	Bolt, Hex 1/2-20x1.50
	40450	1	Brace, Instrument Panel R.H.	37	11058	4	Nut, Rim
15	40548	1	Bracket, Instrument Panel	38	167260	4	Screw, Tapping 1/4-20x.625 PHD
16	41240	1	Support, Instrument Panel	39	40140	1	Plate, Manual Control Cover
17	180024	2	Bolt, Hex 1/4-20x1.25		39872	1	Plate, Hydraulic Control Cover
18	120386	2	Washer, Flat .312x.734x.065	40	45235	1	Weldment, Frame
19	34723	2	Bushing, .259x.375x.25	41	21087	1	Weldment, Mower Bracket R.H.
20	24357	2	Bumper, Seat		21088	1	Weldment, Mower Bracket L.H.
21	45594	2	Bracket, Rear Hitch	42	10405	2	Pin, Hair
22	435507	2	Nut, Lock 1/2-13				

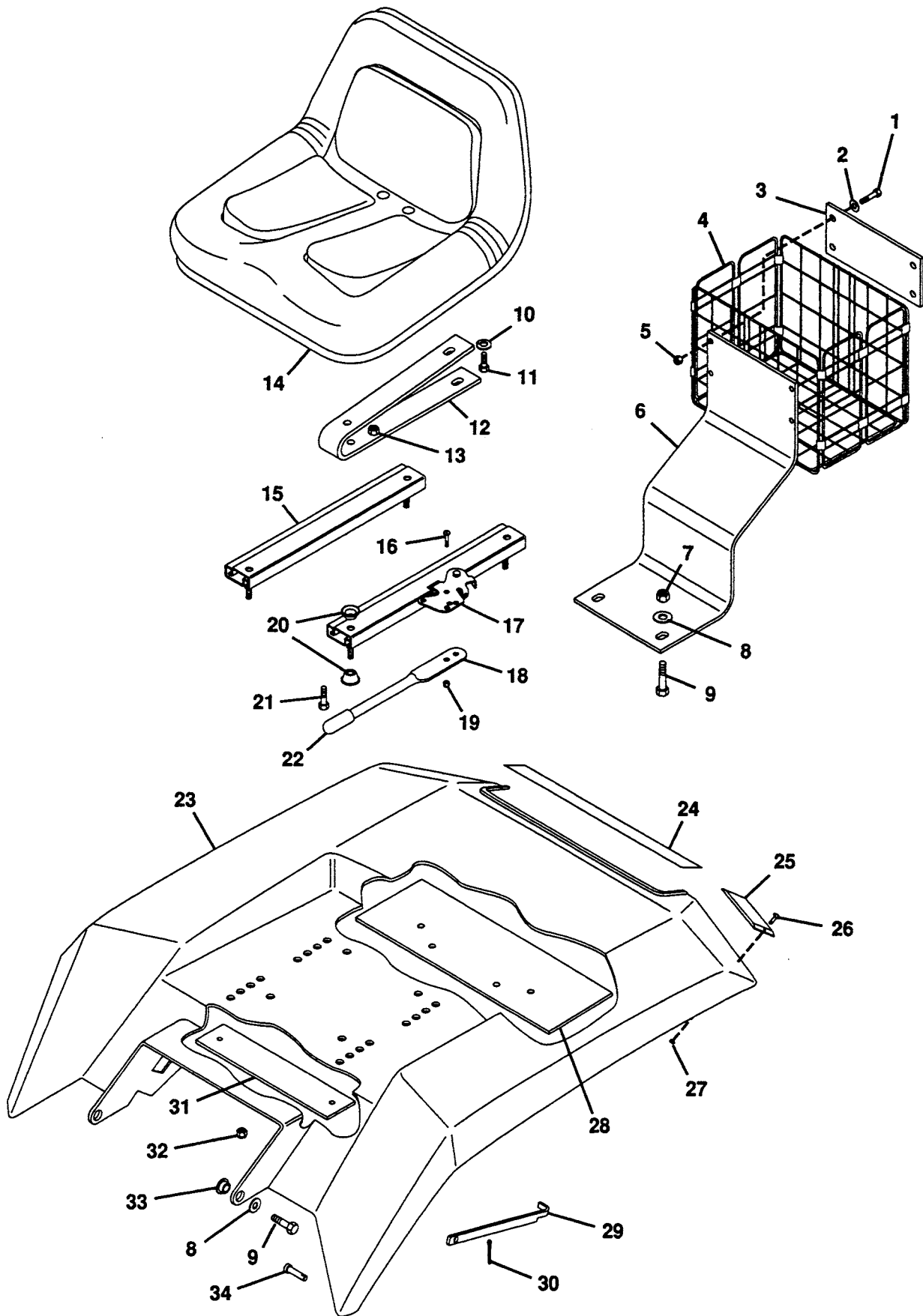
# HOOD AND GRILLE



## HOOD AND GRILLE

ITEM NO.	PART NO.	QTY.	DESCRIPTION	ITEM NO.	PART NO.	QTY.	DESCRIPTION
1	43802	1	Hood, Silk Screen	18	38673	1	Bezel, Headlight
2	50275	2	Decal, Model 14-G	19	38671	1	Panel, Headlight Lense
	43245	2	Decal, Model 16-G	20	190254	4	Nut, Lock 10-24
	43246	2	Decal, Model 18-G	21	159947	4	Screw, Machine 10-24x.75 PHD
	43247	2	Decal, Model 20-G	22	39831	1	Casting, Grille
3	43003	1	Decal, Gravely Logo	23	45207	2	Screw, 1/4-20x.50 Self-Tapping
4	160541	3	Screw, Machine 1/4-20 PHD	24	456004	8	Nut, Lock 3/8-16
5	44074	1	Decal, Side Stripe L.H. and R.H.	25	120388	6	Washer, Flat .438x1.000x.083
6	35294	2	Latch, Flexible	26	35518	2	Grommet
7	32661	6	Rivet, Dome Head	27	39047	1	Hinge, Hood L.H.
8	39828	2	Bracket, Hood Latch Mounting		39049	1	Hinge, Hood R.H.
9	163158	4	Screw, 8-18x.375 PHD CR	28	36849	2	Spacer
10	40754	1	Decal, Maintenance	29	419455	2	Nut, Lock 5/16-18
11	11989	2	Decal, Electrical System Warning	30	10908	2	Bush., St. .406x1.00x1.00 Stl.
12	419454	11	Nut, Lock 1/4-20	31	180122	6	Bolt, Hex 3/8-16x1.00
13	422845	4	Washer, Flat .281x.625x.065	32	120393	2	Washer, Flat .344x.688x.065
14	120518	4	Bolt, 1/4-20x.75 Rd Hd Sq Nk	33	180085	2	Bolt, Hex 5/16-18x1.75
15	39070	2	Ring, Headlight Retainer	34	39836	1	Panel, Side L.H.
16	180022	4	Bolt, Hex 1/4-20x1.00		39835	1	Panel, Side R.H.
17	38672	1	Panel, Headlight Reflector	35	180130	2	Bolt, Hex 3/8-16x2.00

# REAR DECK AND SEAT

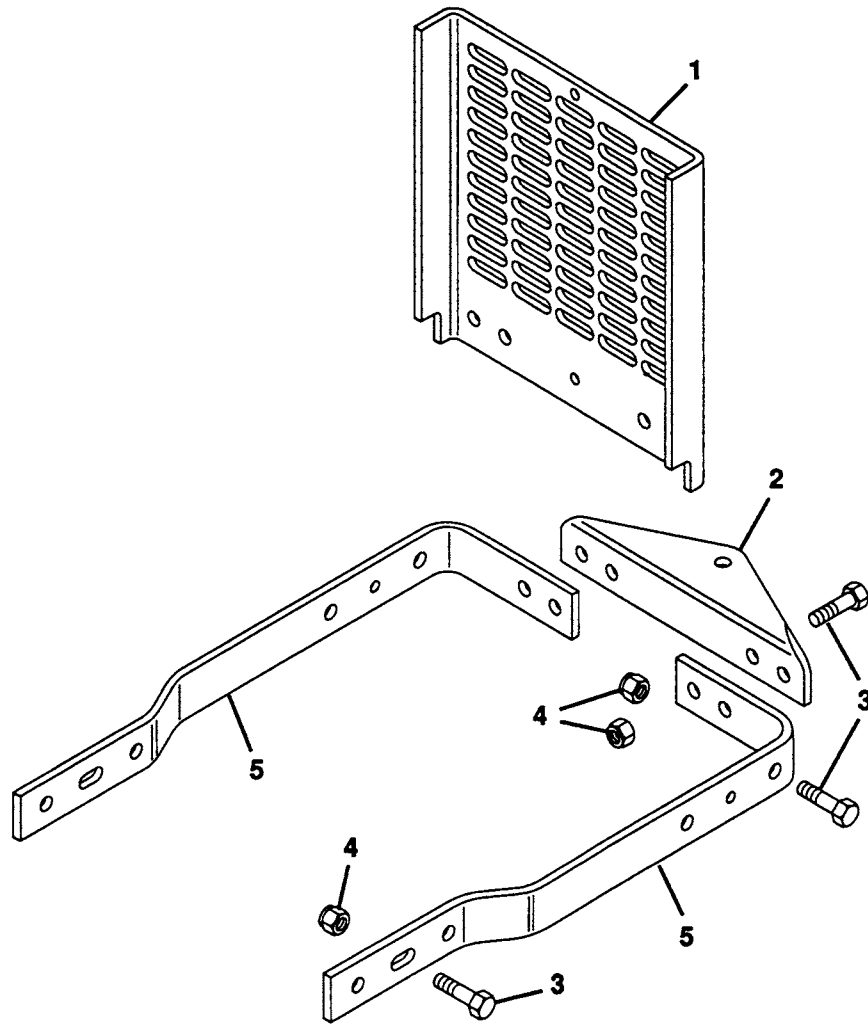


## REAR DECK AND SEAT

ITEM NO.	PART NO.	QTY.	DESCRIPTION	ITEM NO.	PART NO.	QTY.	DESCRIPTION
1	180022	4	Bolt, Hex 1/4-20x1.00	18	39063	1	Handle, Seat Slide
2	120392	4	Washer, Flat .281x.625x.065	19	190254	2	Nut, Lock 10-24
3	46236	1	Strap, Basket	20	35670	8	Bush., Fig. .375x1.16x.320 Stl.
4	46247	1	Basket	21	180081	4	Bolt, Hex 5/16-18x1.25
5	416918	4	Nut, Lock 1/4-20 Ser. Fig.	22	43192	1	Tip, Lever
6	51600	1	Bracket, Basket	23	40453	1	Weldment, Seat Pan Notched
7	456004	2	Nut, Lock 3/8-16	24	44077	1	Decal, Gravely Logo
8	120394	4	Washer, Flat .406x.812x.065	25	51329	2	Reflector, Rect. Reflex.
9	180122	4	Bolt, Hex 3/8-16x1.00	26	160046	4	Screw, Machine 10-31x.50 PHD
10	120214	4	Washer, Lock 5/16 Reg.	27	411893	4	Nut, Lock 10-32
11	180077	4	Bolt, Hex 5/16-18x.75	28	51601	1	Bracket, Seat Support
12	47528	2	Spring, Seat	29	24996	1	Strap, Fender Hold-Up
13	419455	4	Nut, Lock 5/16-18	30	121223	1	Pin, Cotter .06x.75
14	48918	1	Seat, High Back	31	51278	1	Bracket, Seat
15	35642	1	Adjuster, Seat	32	413447	4	Nut, Lock 5/16-18
16	159929	2	Screw, Machine 10-24x.625 PHD	33	24815	2	Bush., Fig. .406x.880x.270 Brz.
17	35641	1	Adjuster, Seat w/Latch	34	18420	1	Pin, Clevis .250x.406

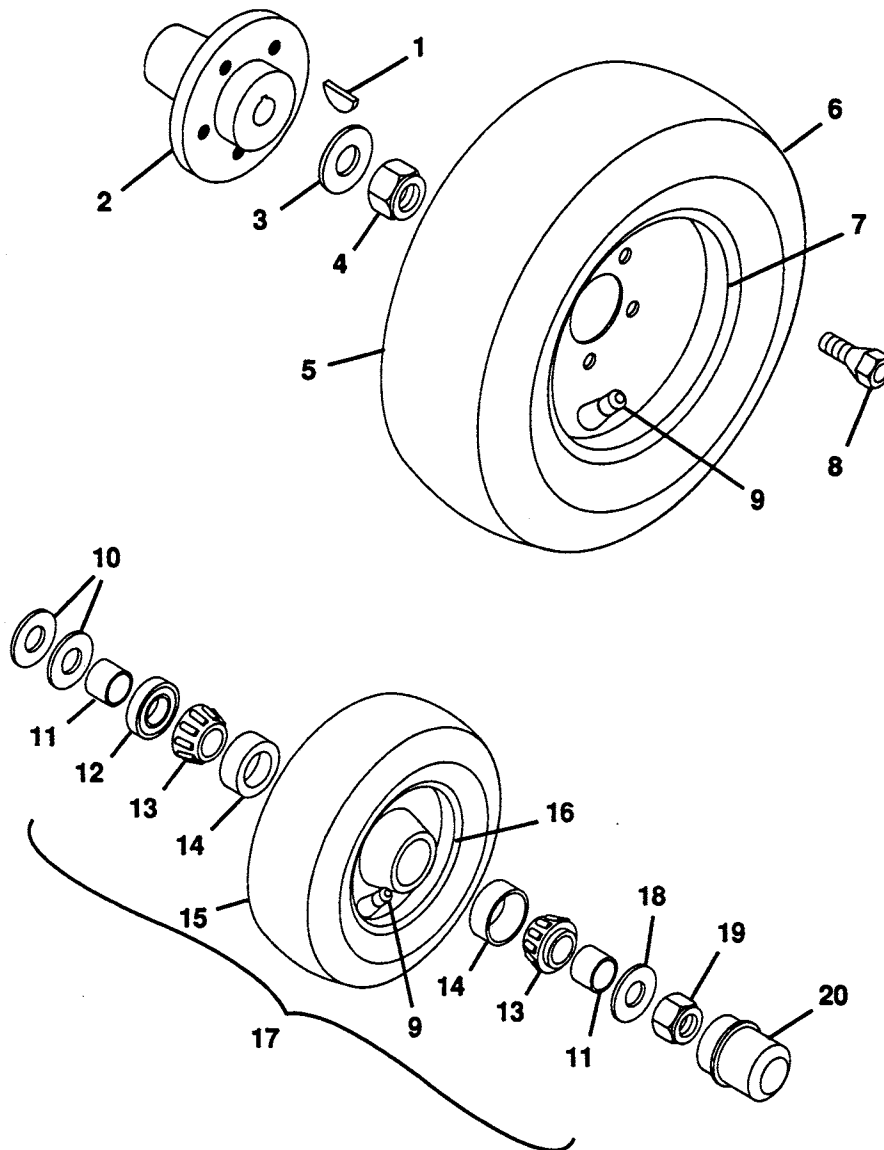


## REAR HITCH



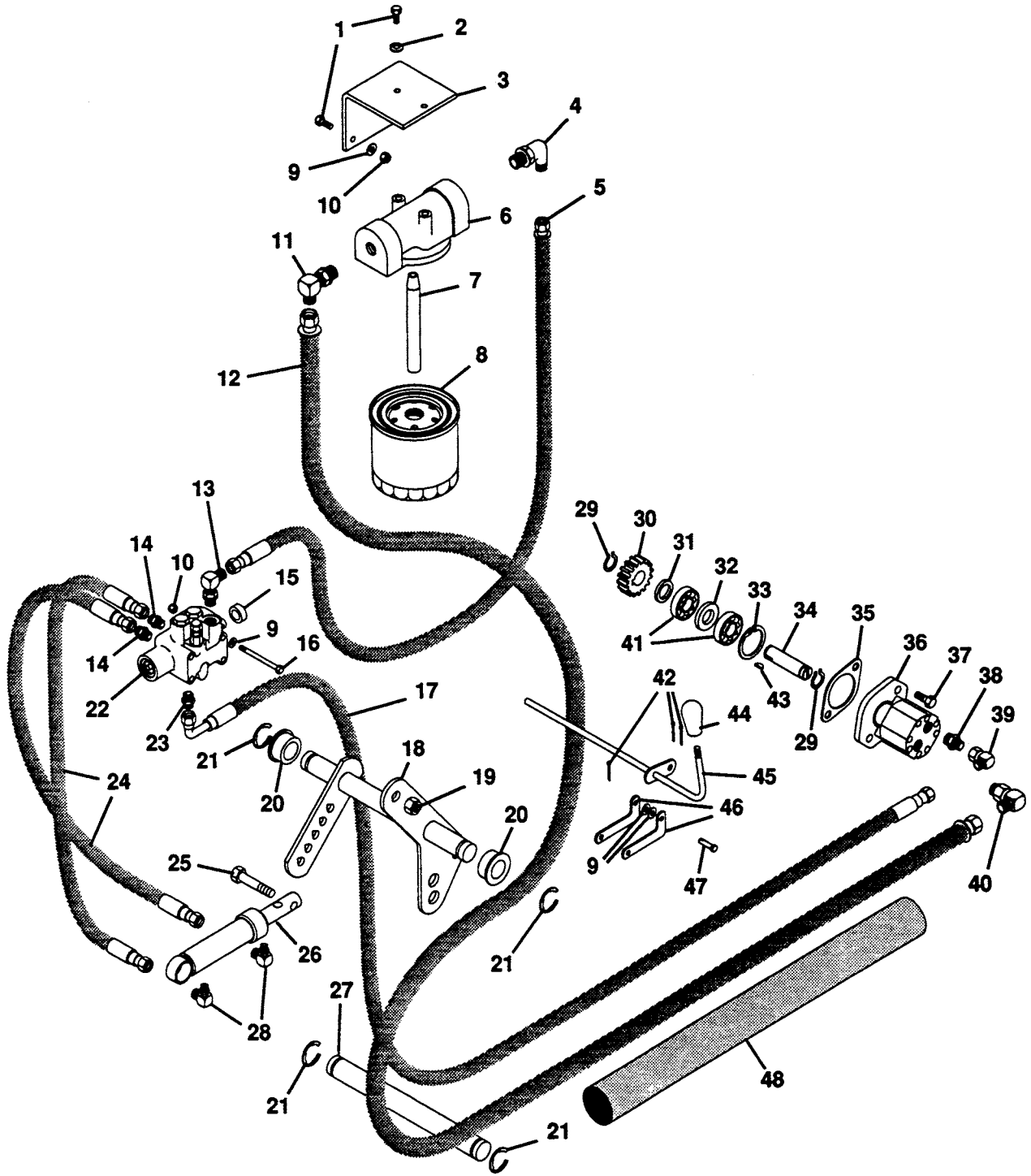
ITEM NO.	PART NO.	QTY.	DESCRIPTION	ITEM NO.	PART NO.	QTY.	DESCRIPTION
1	47561	1	Guard, Engine	4	435507	8	Nut, Lock 1/2-13
2	19517	1	Plate, Hitch	5	47529	2	Arm, Rear Hitch
3	180179	8	Bolt, Hex 1/2-13x1.75				

## FRONT AND REAR WHEELS



ITEM NO.	PART NO.	QTY.	DESCRIPTION	ITEM NO.	PART NO.	QTY.	DESCRIPTION
1	187184	2	Key, Woodruff .250x2.125 Soft	10	423315	4	Washer, Flat .813x1.37x.100
2	40304	2	Hub, Tapered 4-Wheel	11	18448	2	Spacer
3	131000	2	Washer, Flat .813x2.0x.148	12	18447	1	Seal, Oil
4	456007	2	Nut, Lock 3/4-10	13	18446	2	Bearing, Cone LM 11949
5	48537	2	Asm, Rear Wheel 23x8.50-12	14	18445	2	Bearing, Cup LM 11910
	21499	1	Asm, Wheel R.H. 23x8.5-12 SGT	15	48923	1	Tire, Front 16x6.50-8
	22216	1	Asm, Wheel L.H. 23x8.5-12 SGT		31280	1	Tire, Front 16x7.50-8
	48540	2	Asm, Rear Wheel 23x10.50-12	16	48925	1	Rim, Front Wheel Assembly
6	48920	1	Tire, Rear 23x8.50-12	17	18442	2	Assembly, Front Wheel 16x6.50-8
	21500	1	Tire, Super Terra 23x8.50-12		31425	2	Assembly, Front Wheel 16x7.50-8
	48921	1	Tire, Rear 23x10.50-12	18	131016	2	Washer, Flat .656x1.312x.095
7	48922	1	Rim, Weldment	19	418692	2	Nut, Lock 5/8-11
8	12744	10	Bolt, Hub 7/16-20x.75 (Special)	20	18449	2	Cap
9	11191	2	Assembly, Valve Stem				

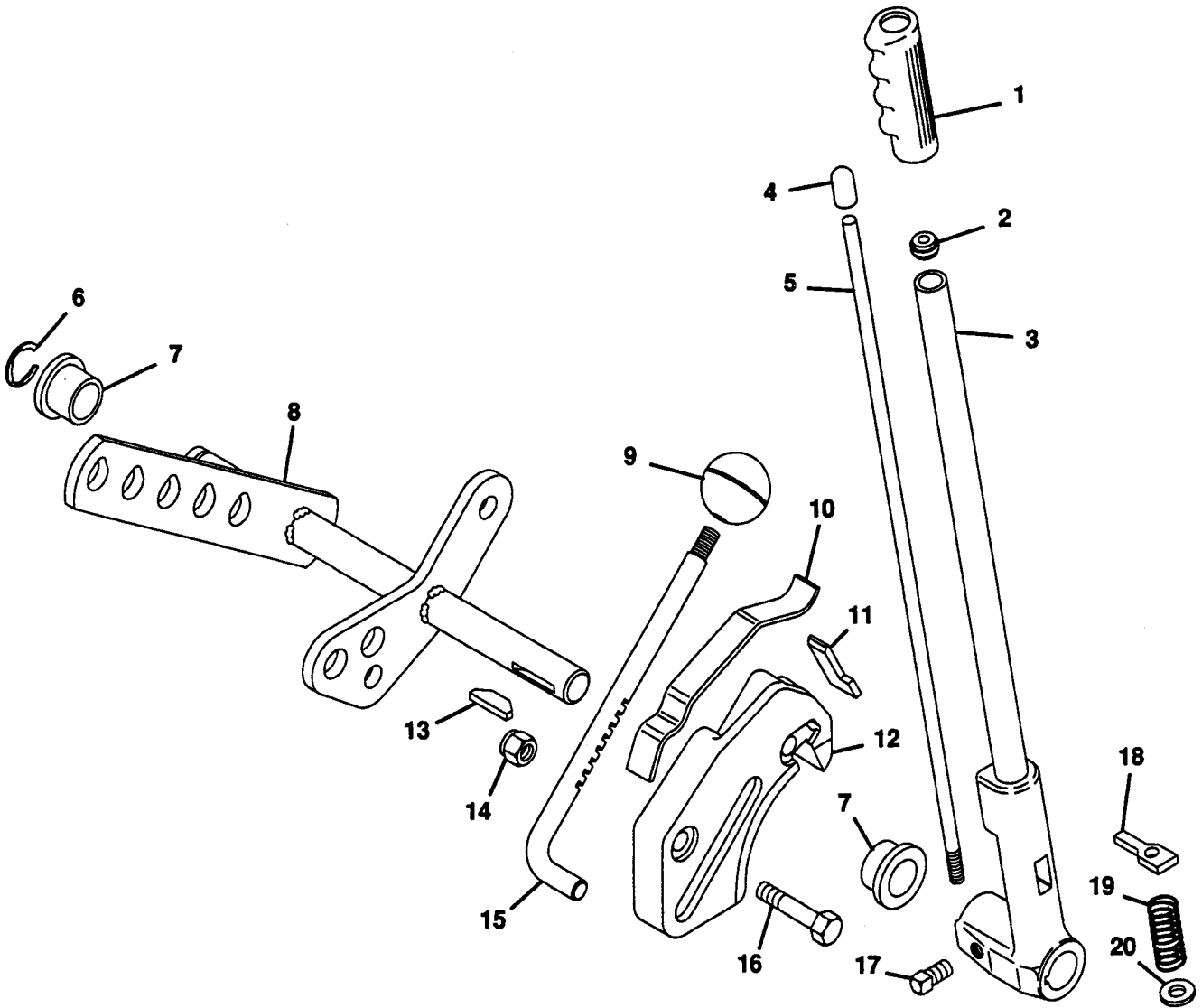
# HYDRAULIC SYSTEM



## HYDRAULIC SYSTEM

ITEM NO.	PART NO.	QTY.	DESCRIPTION	ITEM NO.	PART NO.	QTY.	DESCRIPTION
1	180020	4	Bolt, Hex 1/4-20x.750	25	180181	1	Bolt, Hex 1/2-13x2.00
2	120380	2	Washer, Lock 1/4 Reg.	26	31284	1	Cylinder, Hydraulic
3	52215	1	Bracket, Oil Filter Mtg.	27	18830	1	Shaft, Hydraulic Cylinder
4	18816	1	Adaptor, PH #2503-8-6	28	18826	2	Adaptor (P-H #2503-4-4)
5	39847	1	Hose, Hydraulic Valve to Tank	29	18809	2	Ring, Retaining .594 Shaft
6	50967	1	Base, Filter	30	18808	1	Gear, Hydraulic Pump
7	52216	1	Tube, Oil Pick-Up	31	18807	1	Spacer, .620x.750x.276
8	51922	1	Filter, Element	32	18798	1	Spacer, .620x.750x.364
9	120392	8	Washer, Flat .281x.625x.065	33	18799	1	Ring, Retaining 1.378 Bore
10	419454	6	Nut, Lock 1/4-20	34	18797	1	Shaft, Hydraulic Pump
11	50961	1	Adaptor, PH #2503-8-8	35	18422	1	Gasket, Cover Plate
12	52574	1	Hose, Hydraulic (Filter to Pump)	36	51631	1	Pump, Hydraulic
13	18828	1	Adaptor (P-H #2503-6-6)	37	180120	2	Bolt, Hex 3/8-16x.75
14	21286	2	Adaptor (P-H #0503-4-4)	38	23206	1	Adaptor
15	48587	1	Bushing, St. .700x1.00x3.00 Stl.	39	18818	1	Adaptor (P-H #3903-6-6)
16	180050	4	Bolt, Hex 1/4-20x2.75	40	46072	1	Adaptor (P-H #2503-10-B)
17	52573	1	Hose, Hydraulic (Pump to Valve)	41	12626	2	Bearing, Ball .590x1.378x.433
18	18822	1	Weldment, Lift Lever Shaft	42	121222	4	Pin, Cotter .094x.75
19	414074	1	Nut, Lock 1/2-13	43	271089	1	Key, Woodruff .125x.375 Hard
20	18355	2	Bushing, Pivot	44	32659	1	Knob, PTO
21	11112	4	E-Ring, 1.000 Shaft	45	41239	1	Weldment, Hydraulic Control Rod
22	18825	1	Valve, Hydraulic	46	41237	2	Rod, Hydraulic Control
23	19167	1	Adaptor, PH #0503-6-6	47	40970	2	Pin, Clevis
24	18845	2	Hose, Hydraulic 14.5	48	50692	1	Sleeve

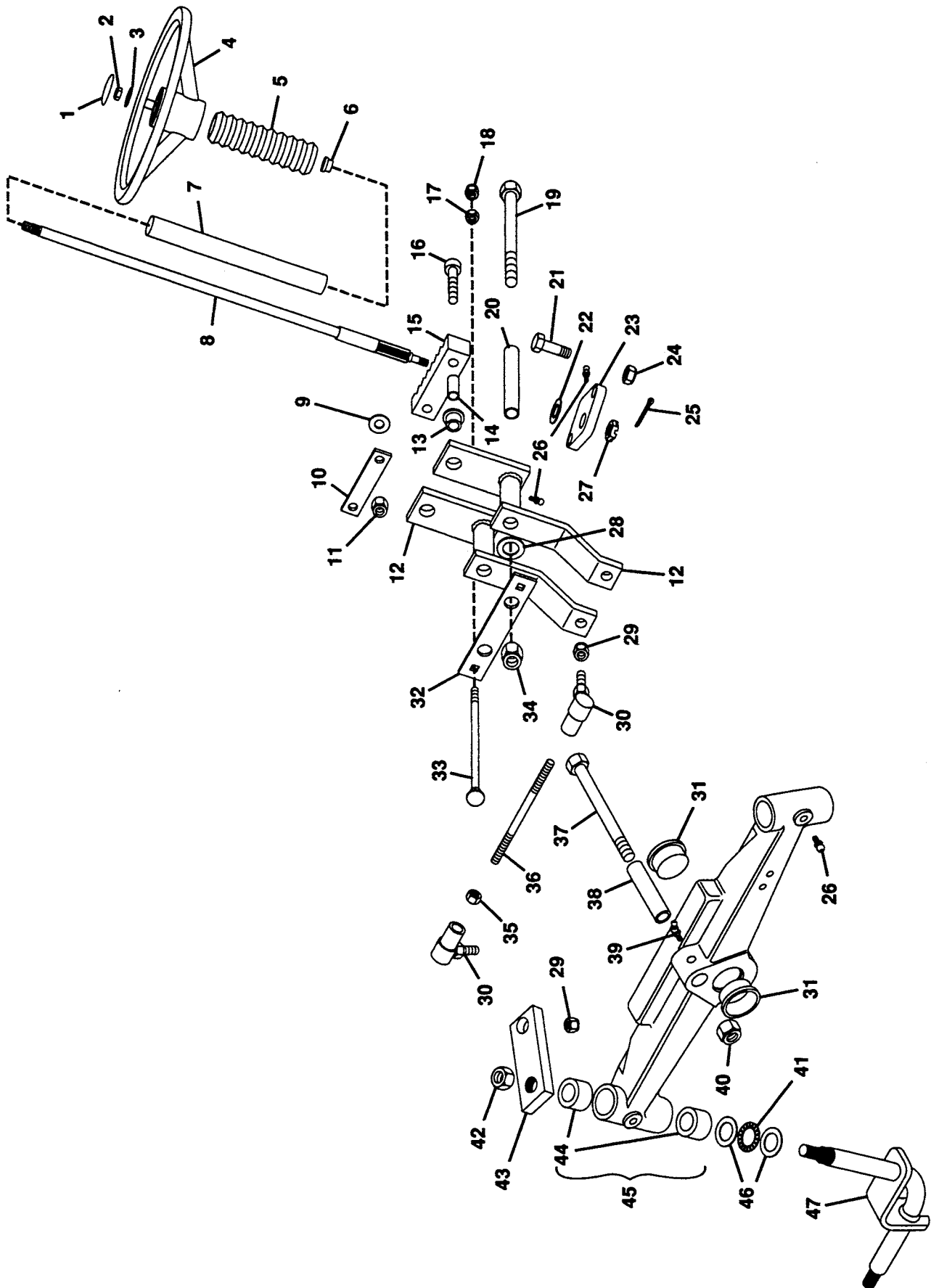
# MANUAL LIFT



## MANUAL LIFT

ITEM NO.	PART NO.	QTY.	DESCRIPTION	ITEM NO.	PART NO.	QTY.	DESCRIPTION
1	11119	1	Grip, Flex	11	11106	1	Stop, Lever
2	11117	1	Guide, Push Rod	12	11103	1	Casting, Locator
3	11113	1	Assembly, Lever Lift	13	187184	1	Key, Woodruff .250x2.125 Soft
4	19367	1	Tip, Push Rod	14	456004	2	Nut, Lock 3/8-16
5	11118	1	Rod, Lever Push	15	18732	1	Rod, Lever Stop
6	11112	1	E-Ring, 1.000 Shaft	16	180124	2	Bolt, Hex 3/8-16x1.25
7	18355	2	Bushing, Pivot	17	102593	1	Screw, Set 3/8-16x.50 HSCP
8	18404	1	Shaft, Lift Lever Weldment	18	11116	1	Pawl, Lever
9	10670	1	Knob, Control	19	10682	1	Spring, Comp. 2x.720x15.5 lb/in
10	11105	1	Spring, Stop	20	11670	1	Washer, Special Flat .45x.99x.10

# STEERING - 14 H.P. AND 16 H.P. UNITS

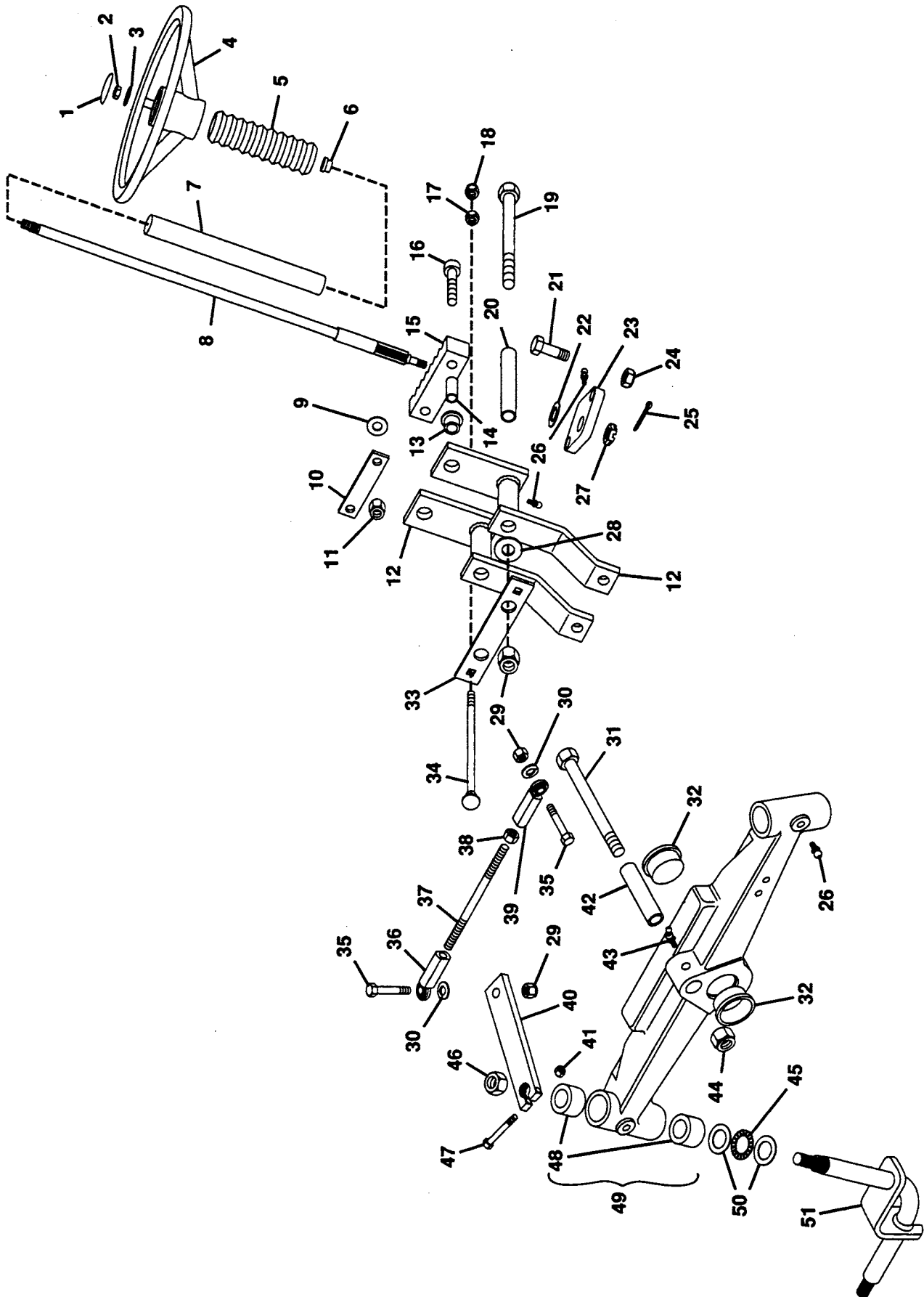


## STEERING - 14 H.P. AND 16 H.P. UNITS

ITEM NO.	PART NO.	QTY.	DESCRIPTION	ITEM NO.	PART NO.	QTY.	DESCRIPTION
1	31426	1	Cap, Steering Wheel	24	39413	2	Nut, Lock 7/16-14
2	124847	1	Nut, Jam 5/8-11 Hex	25	121224	1	Pin, Cotter .09x1.00
3	131016	1	Washer, Flat .656x1.312x.095	26	411027	5	Fitting, Lube 1/4-28
4	24490	1(16 HP)	Wheel, Steering	27	121592	1	Nut, Hex 1/2-13 Slotted
	31281	1(14 HP)	Wheel, Steering	28	14998	2	Race, Brg Thrust .752x1.240x.095
5	47311	1	Bellows, Steering Wheel	29	192481	4	Nut, Lock 3/8-24
6	10174	1	Bushing, Nylon .760x1.00x.60 Flg	30	21084	4	Ball Joint, Steering
7	40984	1	Tube, Plastic 1.0 I.D.	31	18785	2	Cap, Front Axle
8	47530	1	Shaft, Steering	32	21079	1	Plate, Adjustment
9	446470	2	Washer, Flat .375x1.125x.065	33	34074	2	Bolt, 5/16-18x5.5 Rd Hd Sq Nk
10	21246	1	Strap, Rack and Pinion	34	435507	2	Nut, Lock 1/2-13
11	456004	2	Nut, Lock 3/8-16	35	120369	4	Nut, Hex 3/8-24
12	40130	2	Weldment, Steering	36	40630	2	Rod, Steering
13	21077	2	Bearing, Flange (P/M Bronze)	37	271781	1	Bolt, Hex 3/4-10x4.5
14	21076	2	Bushing, .391x.622x.670	38	23237	1	Tube, Axle Pivot
15	21075	1	Gear, Rack	39	411031	1	Fitting, Lube 45 Deg.
16	454473	2	Screw, Cap 3/8-16x2.0 HSHD	40	456007	1	Nut, Lock 3/4-10
17	120376	2	Nut, Hex 5/16-18	41	21543	2	Bearing, Needle Thrust
18	419455	2	Nut, Lock 5/16-18	42	124589	2	Nut, Hex 5/8-11
19	443734	2	Bolt, Hex 1/2-13x6.0	43	40126	2	Arm, Tie Rod Axle
20	21078	2	Sleeve, Pivot	44	23241	4	Bushing, .877x1.004x1.0
21	180149	2	Bolt, Hex 7/16-14x1.5	45	45400	1	Axle, Steering
22	35344	1	Race, Thrust	46	21541	4	Race, Bearing Thrust
23	35064	1	Support, Steering Shaft	47	18463	2	Weldment, King Pin



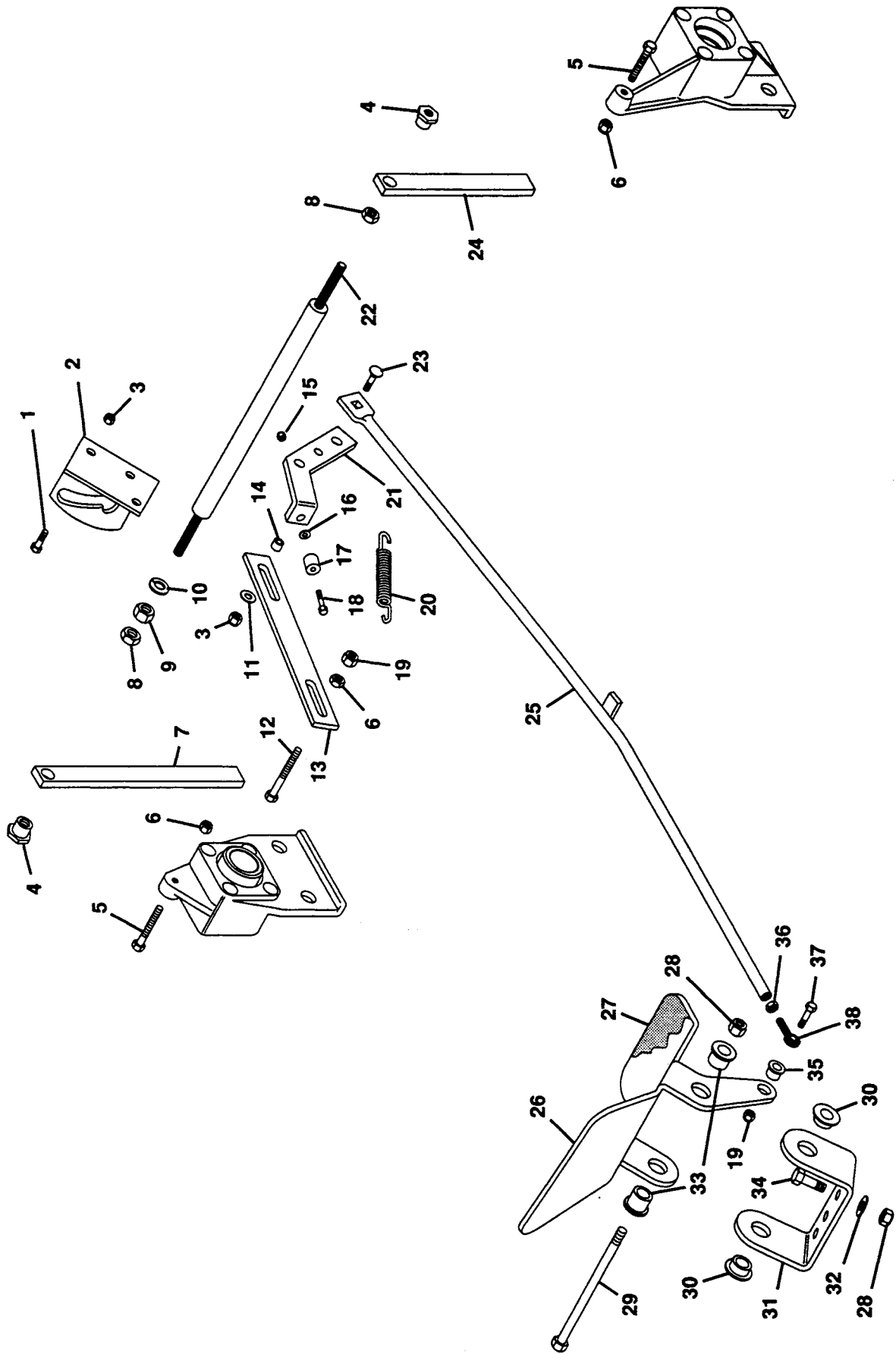
# STEERING - 18 H.P. AND 20 H.P. UNITS



## STEERING - 18 H.P. AND 20 H.P. UNITS

ITEM NO.	PART NO.	QTY.	DESCRIPTION	ITEM NO.	PART NO.	QTY.	DESCRIPTION
1	31426	1	Cap, Steering Wheel	27	121592	1	Nut, Hex 1/2-13 Slotted
2	124847	1	Nut, Jam 5/8-11 Hex	28	14998	2	Race, Brg Thrust .752x1.240x.095
3	131016	1	Washer, Flat .656x1.312x.095	29	435507	6	Nut, Lock 1/2-13
4	31281	1	Wheel, Steering	30	120384	4	Washer, Lock 1/2 Reg.
5	47311	1	Bellows, Steering Wheel	31	271781	1	Bolt, Hex 3/4-10x4.5
6	10174	1	Bushing, Nylon .760x1.00x.60 Flg	32	18785	2	Cap, Front Axle
7	40984	1	Tube, Plastic 1.0 I.D.	33	21079	1	Plate, Adjustment
8	47530	1	Shaft, Steering	34	34074	2	Bolt, 5/16-18x5.5 Rd Hd Sq Nk
9	446470	2	Washer, Flat .375x1.125x.065	35	180183	4	Bolt, Hex 1/2-13x2.25
10	21246	1	Strap, Rack and Pinion	36	44941	2	Rod End, Steering R.H.
11	456004	2	Nut, Lock 3/8-16	37	44940	2	Tie Rod, Steering
12	45643	2	Weldment, Steering Arm	38	124934	2	Nut, Jam 1/2-20
13	21077	2	Bearing, Flange (P/M Bronze)	39	44942	2	Rod End, Steering L.H.
14	21076	2	Bushing, .391x.622x.670	40	44939	2	Arm, Tie Rod Axle
15	21075	1	Gear, Rack	41	190139	2	Nut, Lock 5/16-24
16	454473	2	Screw, Cap 3/8-16x2.0 HSHD	42	23237	1	Tube, Axle Pivot
17	120376	2	Nut, Hex 5/16-18	43	411031	1	Fitting, Lube 45 Deg.
18	419455	2	Nut, Lock 5/16-18	44	456007	1	Nut, Lock 3/4-10
19	443734	2	Bolt, Hex 1/2-13x6.0	45	21543	2	Bearing, Needle Thrust
20	21078	2	Sleeve, Pivot	46	124589	2	Nut, Hex 5/8-11
21	180149	2	Bolt, Hex 7/16-14x1.5	47	181618	2	Bolt, Hex 5/16-24x1.75
22	35344	1	Race, Thrust	48	23241	4	Bushing, .877x1.004x1.0
23	35064	1	Support, Steering Shaft	49	45400	1	Axle, Steering
24	39413	2	Nut, Lock 7/16-14	50	21541	4	Race, Bearing Thrust
25	121224	1	Pin, Cotter .09x1.00	51	18463	2	Weldment, King Pin
26	411027	5	Fitting, Lube 1/4-28				

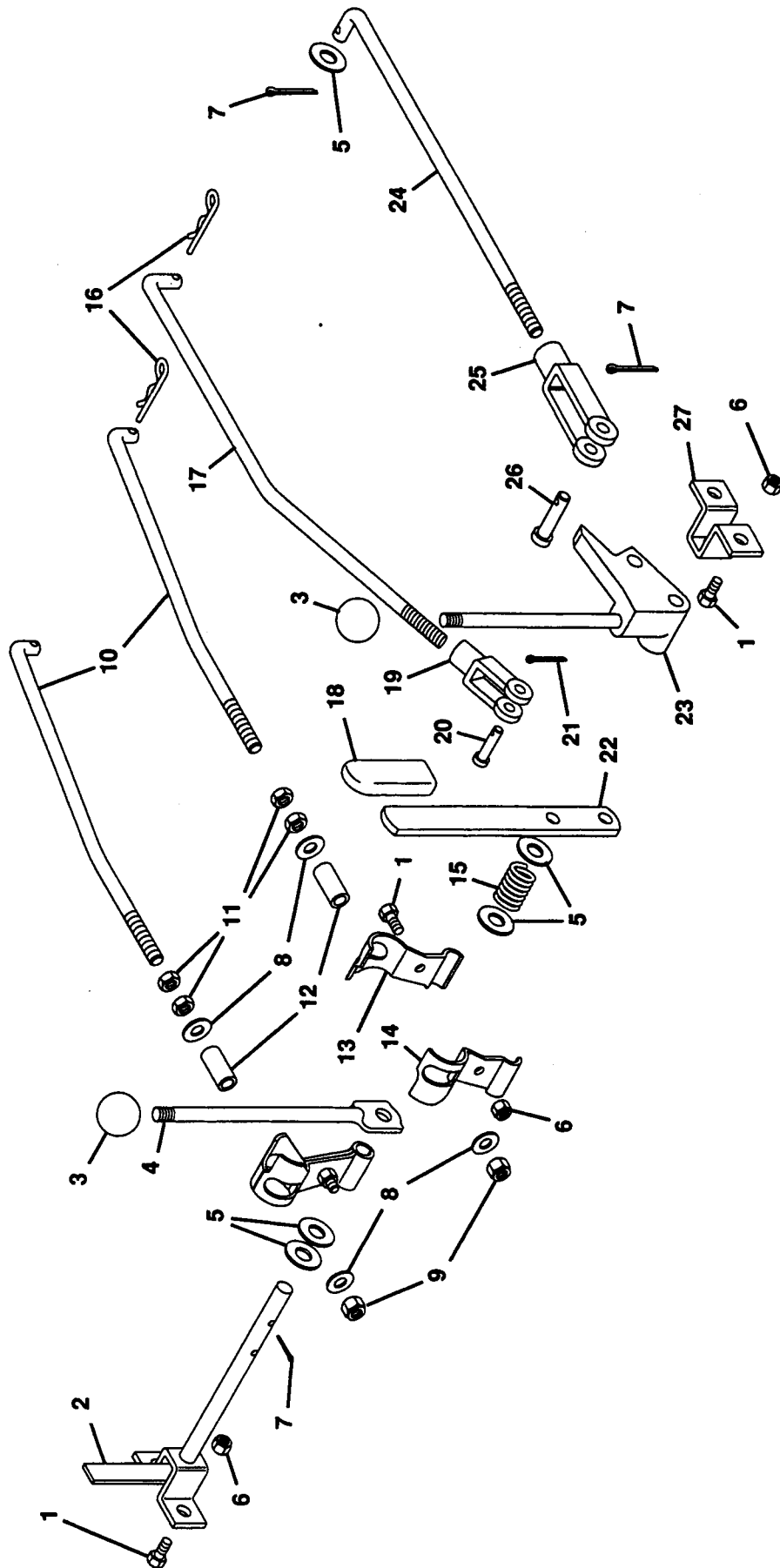
# DIRECTION CONTROL



## DIRECTION CONTROL

ITEM NO.	PART NO.	QTY.	DESCRIPTION	ITEM NO.	PART NO.	QTY.	DESCRIPTION
1	180079	2	Bolt, Hex 5/16-18x1.00	20	39844	1	Spring, Neutral Detent
2	46309	1	Weldment, Fwd-Rev Actuating	21	39841	1	Arm, Fwd-Rev Clutch Roll
3	419455	3	Nut, Lock 5/16-18	22	39840	1	Rod, Fwd-Rev Slide
4	40305	2	Bushing, Fwd-Rev Slide Rod	23	120230	1	Bolt, 5/16-18x1.25 Rd Hd Sq Nk
5	44609	2	Bolt, Hex 3/8-16x2.50	24	34715	1	Spring, Fwd-Rev Clutch
6	120377	3	Nut, Hex 3/8-16	25	51423	1	Rod, Fwd-Rev Shifter
7	43789	1	Spring, Reverse Clutch	26	45090	1	Pedal, Foot Clutch
8	120238	2	Nut, Jam 1/2-13 Hex	27	46043	1	Pad, Foot Clutch Pedal
9	120378	1	Nut, Hex 1/2-13	28	435507	3	Nut, Lock 1/2-13
10	131101	1	Washer, Lock 1/2 SP Heavy	29	189315	1	Bolt, Hex 1/2-13x6.50
11	446354	1	Washer, Flat .313x.875x.065	30	10174	2	Bushing, Nylon .76x1.00x.76 Fig
12	180138	1	Bolt, Hex 3/8-16x3.00	31	45094	1	Bracket, Clutch Pedal Pivot
13	39843	1	Strap, Neutral Detent	32	415543	2	Washer, Flat .531x1.250x.100
14	40360	1	Bushing, Fwd-Rev Linkage	33	34738	2	Bushing, .513x.750x.625
15	454750	1	Nut, Lock 1/4-28	34	180175	2	Bolt, Hex 1/2-13x1.25
16	120392	1	Washer, Flat .281x.625x.065	35	45789	1	Bushing, Nylon .32x.437x.248
17	39842	1	Roller, Clutch Cam	36	124925	1	Nut, Jam 3/8-24 Hex
18	40811	1	Bolt, Hex 1/4-28x1.38 Gr. 8	37	180124	1	Bolt, Hex 3/8-16x1.25
19	456004	2	Nut, Lock 3/8-16	38	51425	1	Rod End, Male

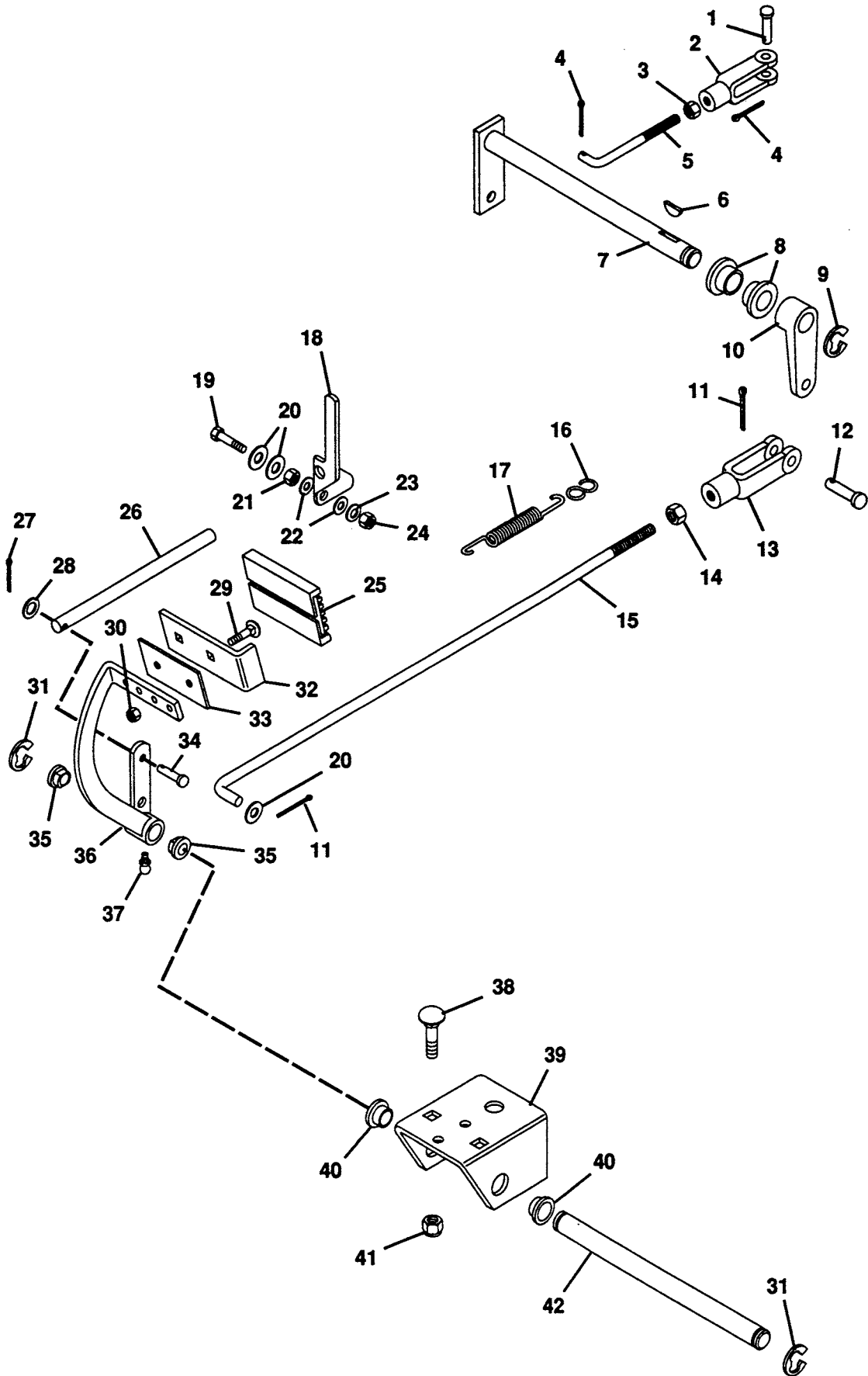
# TRANSMISSION CONTROLS



## TRANSMISSION CONTROLS

ITEM NO.	PART NO.	QTY.	DESCRIPTION	ITEM NO.	PART NO.	QTY.	DESCRIPTION
1	180077	6	Bolt, Hex 5/16-18x.75	15	18372	1	Spring, Compression
2	33995	1	Weidment, Cross Shaft	16	11860	3	Pin, Cotter Hair
3	10670	2	Knob, Control	17	40143	1	Rod, 2-Speed
4	18371	1	Lever, Shift	18	34067	1	Grip, Handle
5	120396	5	Washer, Flat .531x1.06x.095	19	18380	1	Clevis, 3/8-24 Adjustable
6	419455	6	Nut, Lock 5/16-18	20	138078	1	Pin, Clevis .375x.948
7	137185	4	Pin, Cotter .12x1.0	21	121222	1	Pin, Cotter .09x.75
8	120388	4	Washer, Flat .438x1.00x.083	22	33990	1	Lever, Hi-Lo Shift
9	456004	2	Nut, Lock 3/8-16	23	34065	1	Assembly, PTO Control
10	33994	2	Rod, Shift	24	18386	1	Rod, PTO
11	124829	4	Nut, Jam 3/8-16	25	18387	1	Yoke, 1/2-20 Adjustable
12	33986	2	Bushing, .400x.500x1.65	26	138086	1	Pin, Clevis .500x1.213
13	33988	2	Arm, Shifter R.H.	27	11096	1	Bracket, Cross Shaft
14	33989	2	Arm, Shifter L.H.				

# BRAKE LINKAGE

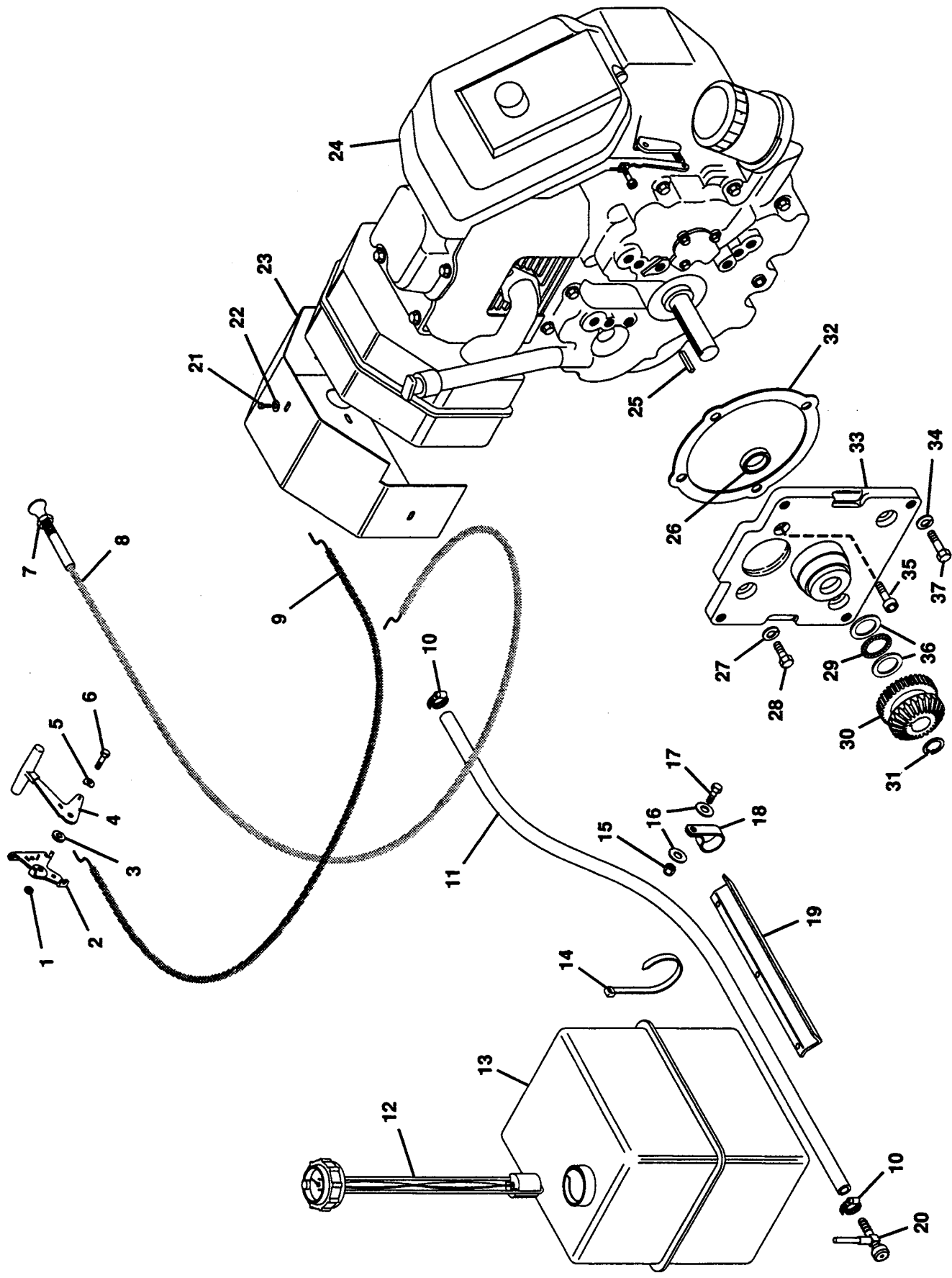


## BRAKE LINKAGE

ITEM NO.	PART NO.	QTY.	DESCRIPTION	ITEM NO.	PART NO.	QTY.	DESCRIPTION
1	121741	1	Pin, Clevis 5/16x.812	22	20775	2	Washer, Nylon .375x.75x.06
2	34633	1	Yoke	23	120382	1	Washer, Lock 3/8
3	120368	1	Nut, Hex 5/16-24	24	413534	1	Nut, Lock 3/8-16
4	121222	2	Pin, Cotter .09x.75	25	41944	1	Pad, Pedal
5	45109	1	Rod, Parking Brake	26	46064	1	Rod
6	124549	1	Key, Woodruff .187x.75 Hrd #9	27	121223	1	Pin, Cotter .06x.75
7	45104	1	Weldment, Brake Cross Shaft	28	120392	1	Washer, Flat .281x.625x.065
8	10174	2	Bushing, Nylon .76x1.00x.76 Flg	29	126325	2	Bolt, Carriage 1/4-20x1.25
9	11270	1	E-Ring,.750 Shaft	30	419454	2	Nut, Lock 1/4-20
10	18019	1	Lever, PTO	31	18053	2	E-Ring, .625 Shaft
11	177923	2	Pin, Cotter .125x.75	32	45518	1	Pedal, Brake
12	138078	1	Pin, Clevis .375x.948	33	41921	1	Plate, Brake
13	18380	1	Clevis, 3/8-24 Adjustable	34	45918	1	Pin, Clevis .25x1.03
14	124925	1	Nut, Jam 3/8-24	35	26428	2	Bearing
15	45102	1	Rod, Brake	36	45215	1	Weldment, Brake Pedal
16	11329	1	Clip, Spring	37	411027	1	Fitting, Lube 1/4-28
17	11263	1	Spring, Ext. 5.50x.50x20 Rate	38	126227	2	Bolt, Carriage 3/8-16x.75
18	20772	1	Arm, Parking Brake Lock	39	45222	1	Bracket, Brake Pedal
19	180124	1	Bolt, Hex 3/8-16x1.25	40	45787	2	Bushing, Nylon .63x.873x.50
20	120394	3	Washer, Flat .406x.812x.065	41	456004	2	Nut, Lock 3/8-16
21	124829	1	Nut, Jam 3/8-16 Hex	42	45221	1	Shaft, Brake Pedal Mounting



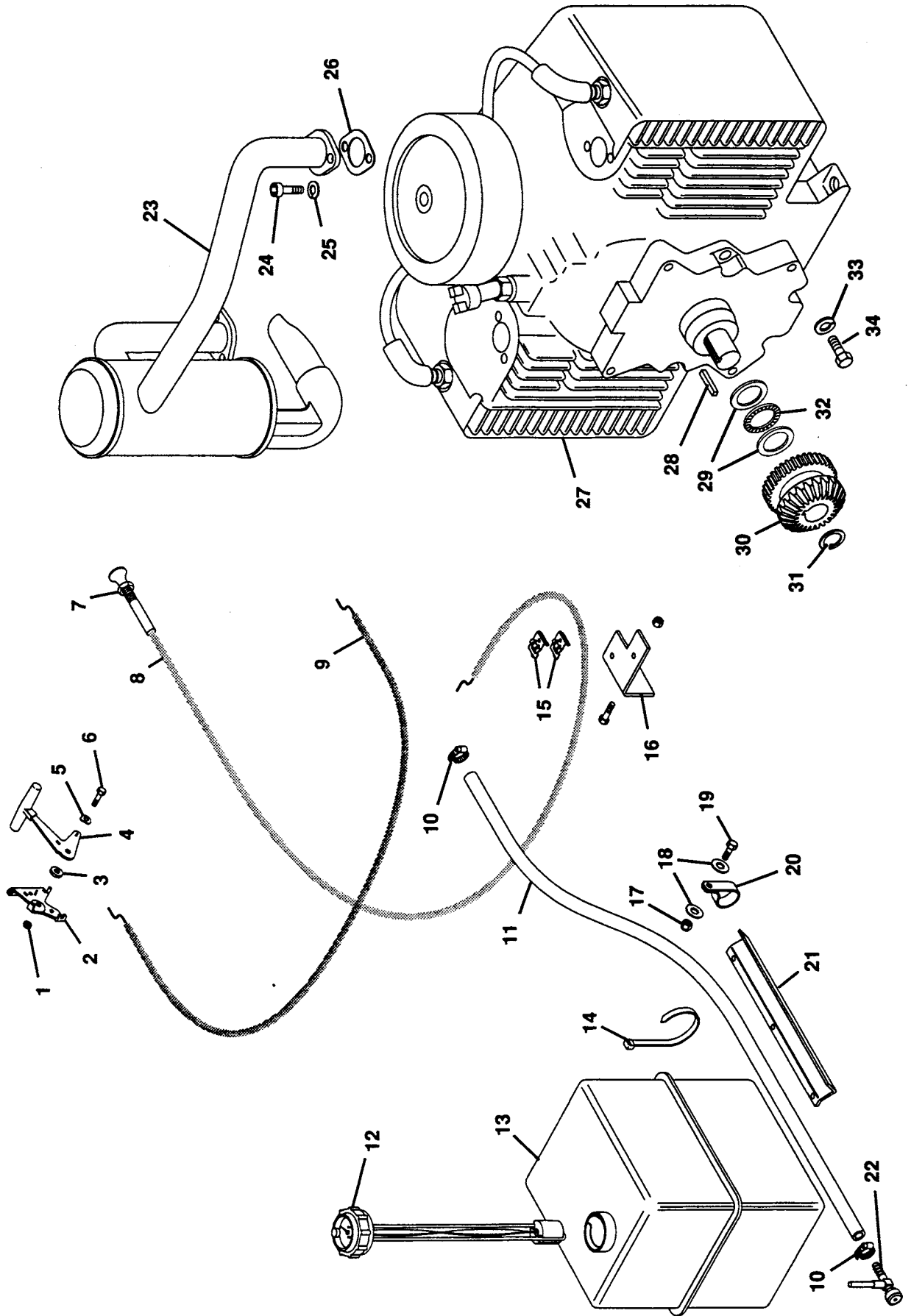
# FUEL AND EXHAUST SYSTEM - 14 H.P. UNITS



## FUEL AND EXHAUST SYSTEM - 14 H.P. UNITS

ITEM NO.	PART NO.	QTY.	DESCRIPTION	ITEM NO.	PART NO.	QTY.	DESCRIPTION
1	416430	1	Nut, Lock 1/4-28	21	46419	5	Screw, 8-18x.50
2	11770	1	Bracket, Mounting	22	120391	5	Washer, Flat #10 .219x.5x.049
3	11772	1	Washer, Friction	23	51002	1	Shield, Heat 14 HP Kohler
4	11773	1	Assembly, Knob and Lever	24	50129	1	Engine, 14 HP Kohler
5	11774	2	Washer, Spring	25	18345	1	Key, Square .250x1.250
6	181566	1	Bolt, Hex 1/4-28x.75	26	18517	1	Seal, Oil 1.125x1.628x.250
7	124925	1	Nut, Jam 3/8-24	27	131100	3	Washer, Lock 7/16 SP Heavy
8	40133	1	Control, Choke	28	180146	3	Bolt, Hex 7/16-14x1.125
9	20565	1	Assembly, Choke Conduit	29	18341	1	Bearing, Thrust 1.127x1.740x.078
10	32045	2	Clamp, Hose	30	18343	1	Gear, Spur and Bevel, Input
11	21134	6 ft.	Line, Fuel	31	18344	1	Ring, Retaining 1.125 Shaft
12	21415	1	Gauge, Gas	32	18340	1	Gasket, Adaptor
13	40620	1	Tank, Fuel	33	50126	1	Adaptor, Engine
14	10629	6	Tie, Cable	34	120384	4	Washer, Lock 1/2 Reg.
15	419455	1	Nut, Lock 5/16-18	35	421648	1	Screw, Cap 7/16-14x1.0 SHD
16	120393	2	Washer, Flat .344x.688x.065	36	40758	2	Race, Brg 1.125x1.75x.123/.126
17	180079	1	Bolt, Hex 5/16-18x1.00	37	180175	4	Bolt, Hex 1/2-13x1.25
18	35313	1	Clamp, Nylon	NS	411893	2	Nut, Lock 10-32
19	32030	1	Shield, Heat	NS	160046	2	Screw, Machine 10-32x.50 PHD
20	18563	1	Valve, Fuel 90 Deg. Reverse Flow				

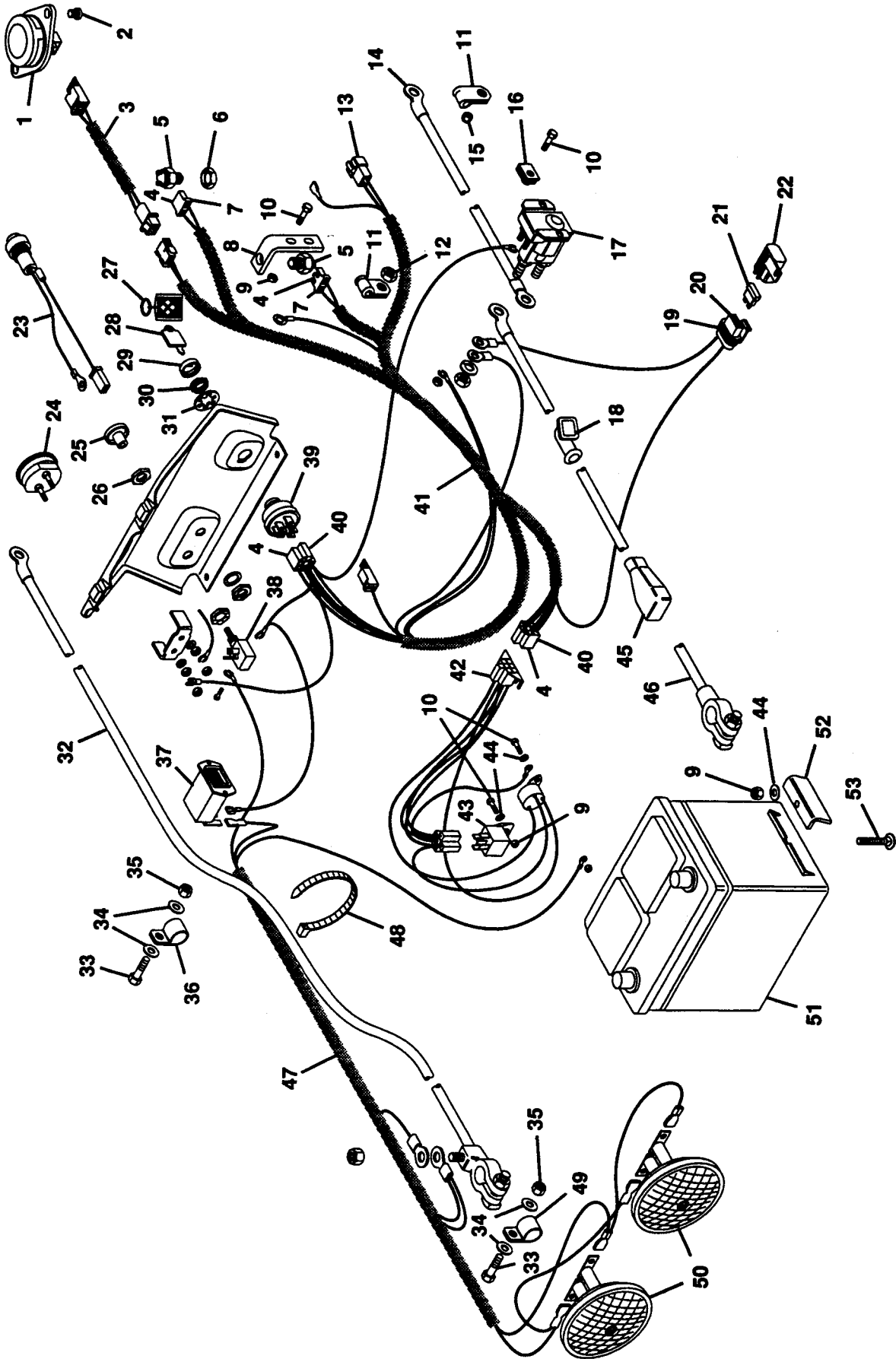
# FUEL AND EXHAUST SYSTEM - 16 H.P., 18 H.P. AND 20 H.P. UNITS



**FUEL AND EXHAUST SYSTEM - 16 H.P., 18 H.P. AND 20 H.P. UNITS**

ITEM NO.	PART NO.	QTY.	DESCRIPTION	ITEM NO.	PART NO.	QTY.	DESCRIPTION
1	416430	1	Nut, Lock 1/4-28	20	35313	1	Clamp, Nylon
2	11770	1	Bracket, Mounting	21	32030	1	Shield, Heat
3	11772	1	Washer, Friction	22	18563	1	Valve, Fuel 90 Deg. Reverse Flow
4	11773	1	Assembly, Knob and Lever	23	51902	1	Muffler, Exhaust
5	11774	2	Washer, Spring	24	421705	4	Screw, Cap 5/16-18x.75 SHD
6	181566	1	Bolt, Hex 1/4-28x.75	25	120214	4	Washer, Lock 5/16 Reg.
7	124925	1	Nut, Jam 3/8-24 Hex	26	44390	2	Gasket, Exhaust
8	39859	1	Control, Choke	27	47480	1	Engine, 16 H.P.
9	20565	1	Assembly, Choke Conduit		45527	1	Engine, 18 H.P.
10	32045	2	Clamp, Hose		45529	1	Engine, 20 H.P.
11	21134	6 ft.	Line, Fuel	28	18345	1	Key, Square .250x1.250
12	21415	1	Gauge, Gas	29	40758	2	Race, Brg 1.125x1.750x.123/.126
13	40620	1	Tank, Fuel	30	18343	1	Gear, Spur and Bevel, Input
14	10629	6	Tie, Cable	31	18344	1	Ring, Retaining 1.125 Shaft
15	7331	2	Clip, Speed	32	18341	1	Bearing, Thrust 1.127x1.740x.078
16	40448	1	Bracket, Throttle and Choke	33	120384	4	Washer, Lock 1/2 Reg.
17	419455	1	Nut, Lock 5/16-18	34	180179	4	Bolt, Hex 1/2-13x1.75
18	120393	2	Washer, Flat .343x.688x.065	NS	411893	2	Nut, Lock 10-32
19	180079	1	Bolt, Hex 5/16-18x1.00	NS	160046	2	Screw, Machine 10-32x.50 PHD

# ELECTRICAL SYSTEM



## ELECTRICAL SYSTEM

ITEM NO.	PART NO.	QTY.	DESCRIPTION	ITEM NO.	PART NO.	QTY.	DESCRIPTION
1	45036	2	Switch, Seat	25	38186	1	Knob, Light Switch
2	160515	2	Screw, Machine 1/4-20	26	18587	1	Nut, Special Light Switch
3	45601	1	Harness, Wiring Seat Switch	27	45842	1	Chain, Key
4	38059	16	Terminal	28	45488	1	Key, Ignition Switch
5	20916	2	Switch, Interlock	29	45490	1	Boot, 9/16 Switch
6	107354	1	Nut, Stamped 9/16-18	30	45489	1	Nut, Jam 9/16-24
7	42176	2	Connector, 2-Wire Switch	31	19667	1	Washer, Lock 9/16 Int. Tooth
8	20660	1	Bracket, Switch	32	39871	1	Cable, Negative Battery
9	419454	7	Nut, Lock 1/4-20	33	180079	3	Bolt, Hex 5/16-18x1.00
10	180020	7	Bolt, Hex 1/4-20x.75	34	120393	6	Washer, Flat .344x.688x.065
11	27122		Clamp	35	419455	3	Nut, Lock 5/16-18
			2(16, 18 & 20 H.P. Units)	36	41788	1	Clamp, Nylon
			1(14 H.P. Units)	37	38256		Hourmeter
12	413534	1	Nut, Lock 3/8-16				1(18 & 20 H.P. Units)
13	42289	1	Connector	38	11337	1	Switch, Light
14	39862		Cable, Starter	39	19223	1	Switch, Ignition
			1(16, 18 & 20 H.P. Units)	40	38058	2	Connector
	40135		Cable, Starter	41	50607	1	Harness, Wiring
			1(14 H.P. Units)	42	40313	1	Module, Time Delay
15	456004		Nut, Lock 3/8-16	43	40216	1	Relay
			1(16 H.P. Units)	44	120392	5	Washer, Flat .281x.625x.065
16	11676	2	Nut, Speed 1/4-20	45	34466	1	Cover, Battery Terminal
17	45071	1	Switch, Magnetic	46	39861	1	Cable, Battery to Magnetic Switch
18	33847	3	Boot, Battery Cable	47	40456	1	Harness, Wiring Ground and Light
19	45920	1	Connector	48	10629	6	Tie, Cable
20	45922	2	Terminal, 14-16 Gauge	49	35313	2	Clamp, Nylon
21	45037	1	Fuse, 25 Amp	50	39069	2	Headlight
22	45921	1	Cover	51	42597	1	Battery, 12 Volt
23	41926	1	Light, Indicator	52	37742	2	Clamp
24	21848	1	Gauge, Ammeter	53	126342	2	Bolt, 1/4-20x1.75 Rd Hd Sq Nk