



Complete Repair Kit - Steering Cylinder - DA-150-075-K-0-0
 Best Metal Products (616) 942-7141 (44583)
 Vendor # 1863 4W246

PROFESSIONAL 24-G TRACTOR ILLUSTRATED PARTS LIST

- 46005 - Complete Trans For 24-G
- 48587 - Hyd Spc For Valve
- 50786 - Pump Shft
- ~~48269 - Pur. Steg. Seal Kit~~
- (44863 - Column Brg) See 7173 Pur Steg
- 44864 - Cap Also 30-H Same Pur Steg

PS Seal Kit ROSS
 589 006

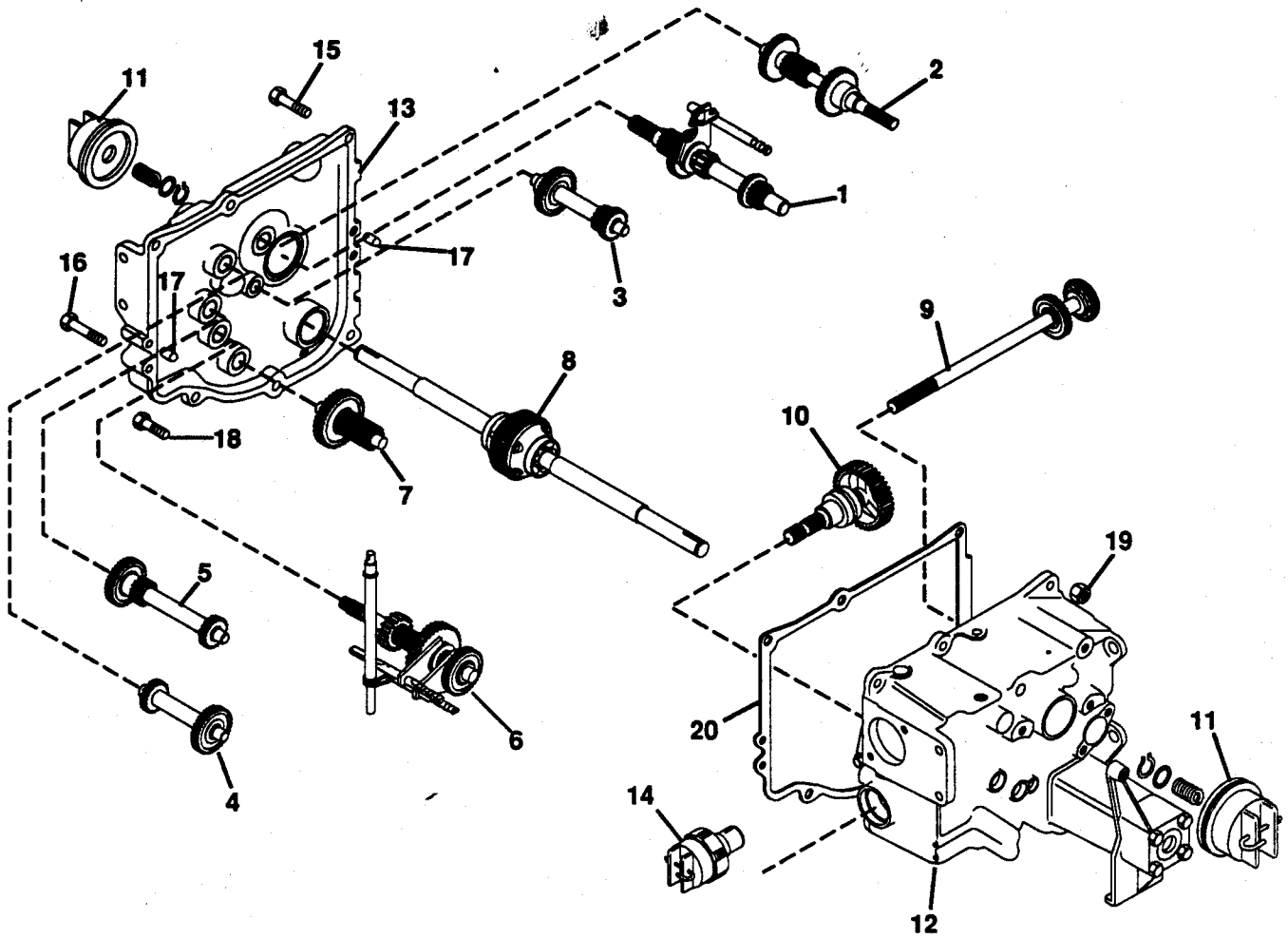
TO CONTINUE ITS PROGRAM OF QUALITY AND DESIGN IMPROVEMENTS, THE MANUFACTURER RESERVES THE RIGHT TO CHANGE SPECIFICATIONS, DESIGNS AND PRICES WITHOUT NOTICE AND WITHOUT INCURRING OBLIGATION. THE MANUFACTURER ALSO RESERVES THE RIGHT TO SHIP WITHOUT NOTICE AND WITHOUT INCURRING OBLIGATION.

 **GRAVELLY**®

TABLE OF CONTENTS

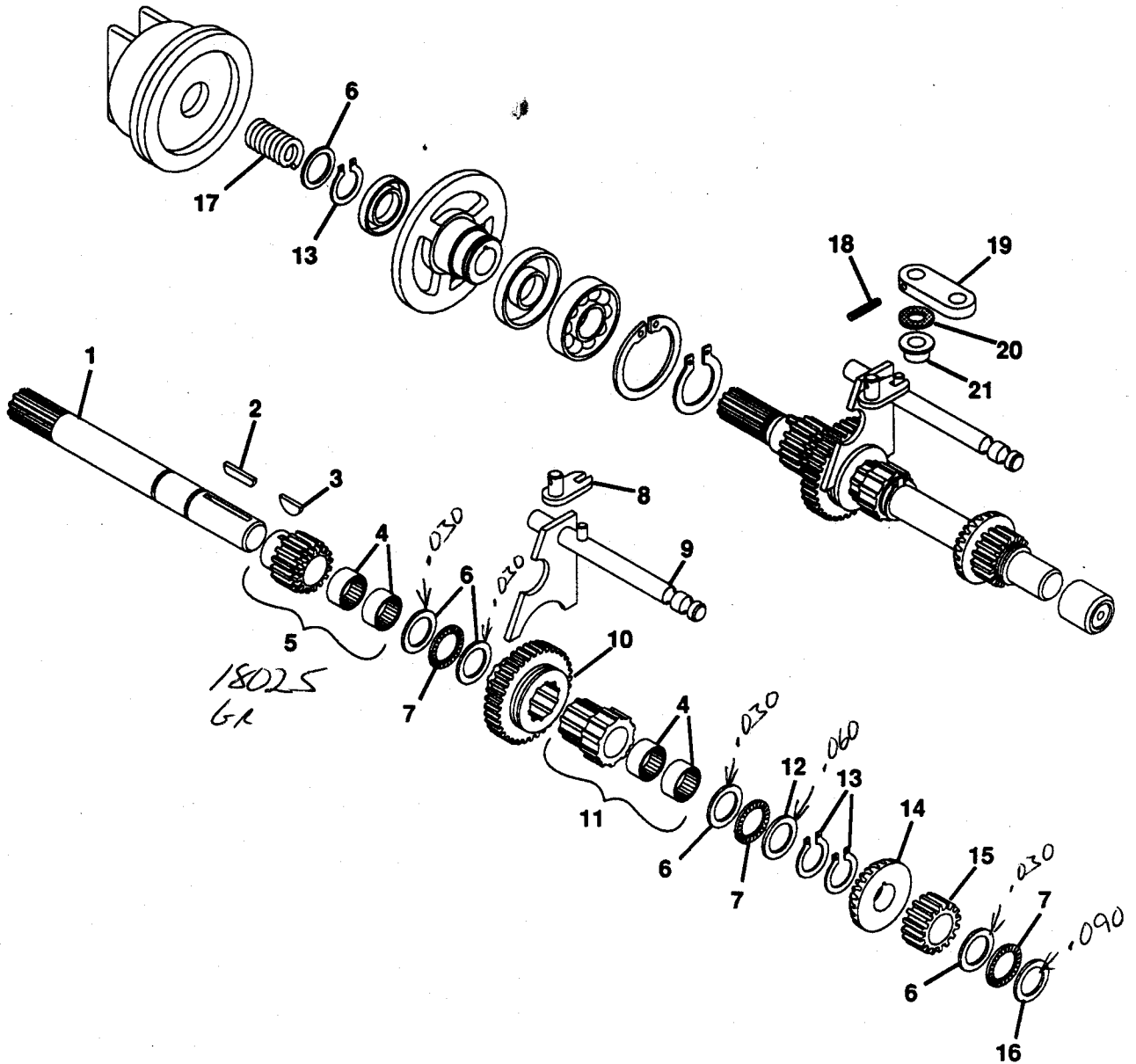
	<u>Page</u>
Transmission	1
Number One Shaft - Forward Clutch	2
Number Two Shaft - Reverse Clutch	3
Number Three Shaft - 3rd and 4th Gear	4
Number Four Shaft - Idler	4
Number Five Shaft - 1st and 2nd Gear	4
Number Six Shaft - Brake/Sliding Gear	6
Number Seven Shaft - Pinion/Final Drive	6
Number Eight Shaft - Differential Assembly	8
Number Nine Shaft - PTO Clutch	8
Number Ten Shaft - PTO Drive Assembly	10
Number Eleven - Fwd-Rev Clutch Assembly	10
Number Twelve - Transmission Case Assembly	12
Number Thirteen - Transmission Cover Assembly	14
Number Fourteen - PTO Clutch Assembly	14
Frame	16
Hood and Rear Deck	18
Rear Hitch	20
Front and Rear Wheels	21
Hydraulic System	22
Steering	24
Direction Control	26
Transmission Controls	28
Brake Linkage	30
Fuel and Exhaust System	32
Electrical System	34

TRANSMISSION



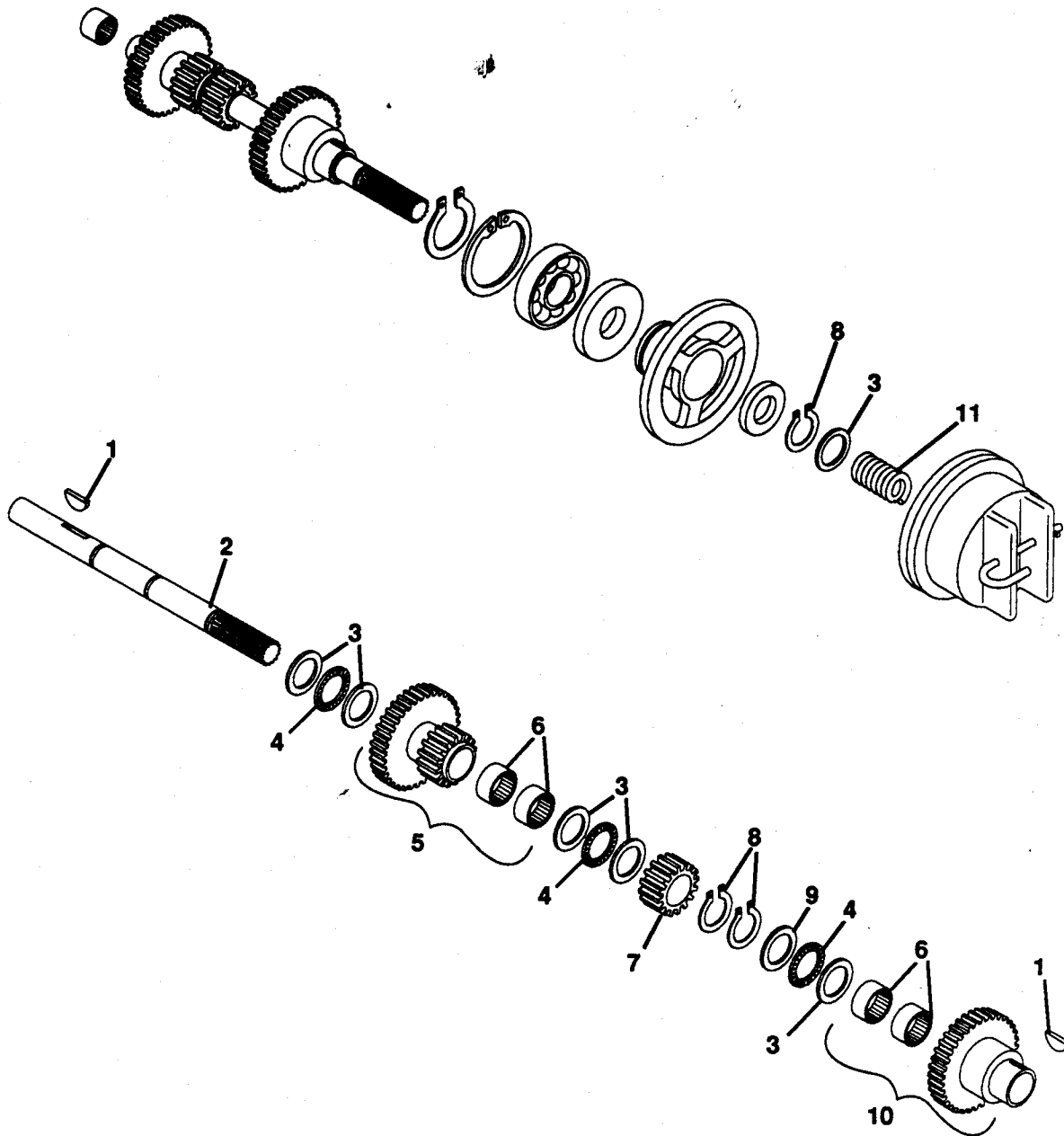
ITEM NO.	PART NO.	QTY.	DESCRIPTION	ITEM NO.	PART NO.	QTY.	DESCRIPTION
1			No. 1 Shaft, Forward Clutch	11			No. 11, Fwd-Rev Clutch Asm.
2			No. 2 Shaft, Reverse Clutch	12			No. 12, Transmission Case Asm.
3			No. 3 Shaft, 3rd and 4th Gear	13			No. 13, Transmission Cover Asm.
4			No. 4 Shaft, Idler	14			No. 14, PTO Clutch Asm.
5			No. 5 Shaft, 1st and 2nd Gear	15	180130	2	Bolt, Hex 3/8-16x2.00
6			No. 6 Shaft, Brake-Sliding Gear	16	180132	2	Bolt, Hex 3/8-16x2.25
7			No. 7 Shaft, Pinion-Final Drive	17	18089	2	Pin, Dowel .375x.625
8			No. 8 Shaft, Differential Asm.	18	180126	4	Bolt, Hex 3/8-16x1.50
9			No. 9 Shaft, PTO Clutch	19	456004	6	Nut, Lock 3/8-16
10			No. 10 Shaft, PTO Drive Asm.	20	18027	1	Gasket, Transmission Cover

NUMBER ONE SHAFT - FORWARD CLUTCH



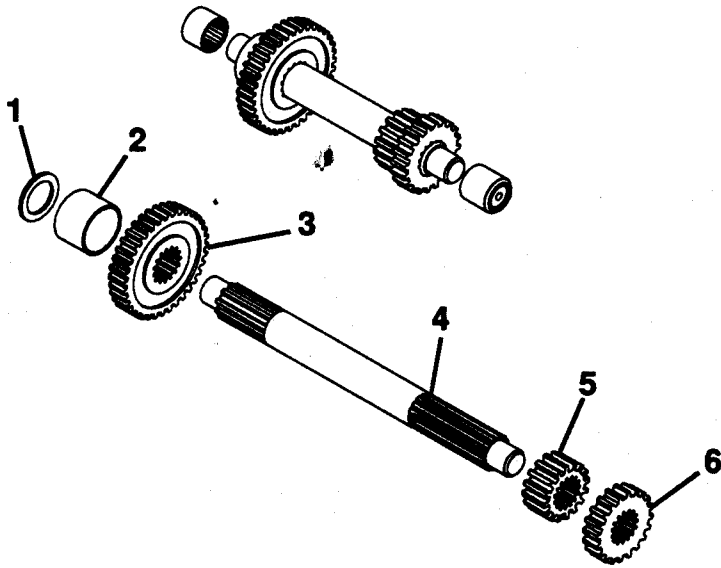
ITEM NO.	PART NO.	QTY.	DESCRIPTION	ITEM NO.	PART NO.	QTY.	DESCRIPTION
1	46371	1	Shaft, Splined Fwd Clutch	12	6742	1	Race, .060 Bearing Thrust
2	117989	1	Key, Woodruff .188x1.25 Hrd #19	13	11135	3	Ring, Retaining .750 Shaft
3	431787	1	Key, Woodruff .188x.625 Hrd #61	14	45585	1	Gear, Bevel
4	17949	4	Bearing, Needle .75x1x.50	15	18003	1	Gear, 10 DP 16 Teeth x .750 Std.
5	46330	1	Gear and Bearing Assembly	16	14998	1	Race, Thrust .752x1.240x.095
6	11223	5	Race, Brg Thrust .752x1.240x.030	17	20444	1	Spring, Comp. 1.0x.80x36 lb/in
7	6741	3	Bearing, Thrust .752x1.240x.078	18	421202	1	Pin, Spring .188x1.00
8	17926	1	Weldment, Shifter	19	17929	1	Arm, Shifter
9	20755	1	Weldment, Shift Rail	20	21141	1	Washer, Felt
10	18011	1	Gear, Spur	21	17925	1	Bushing, 2-Speed
11	18007	1	Gear and Bearing Assembly				

NUMBER TWO SHAFT - REVERSE CLUTCH

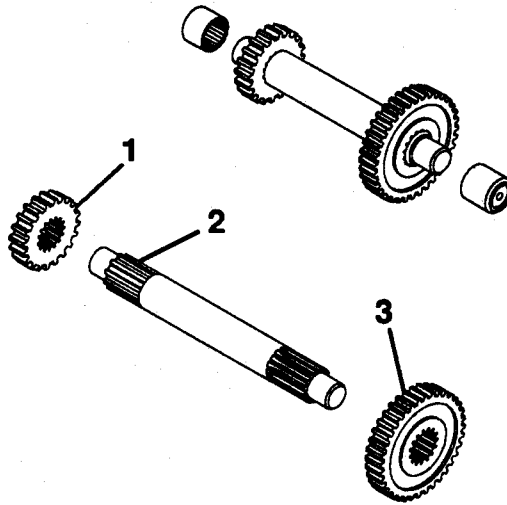


ITEM NO.	PART NO.	QTY.	DESCRIPTION	ITEM NO.	PART NO.	QTY.	DESCRIPTION
1	431787	2	Key, Woodruff .188x.625 Hrd #61	7	18003	1	Gear, 10 DP 16 Teeth x .750 Std.
2	34730	1	Shaft, Splined Rev Clutch	8	11135	3	Ring, Retaining .750 Shaft
3	11223	6	Race, Brg Thrust .752x1.240x.030	9	6742	1	Race, .060 Bearing Thrust
4	6741	3	Brg, Needle Thrust .752x1.24x.078	10	17947	1	Assembly, Reverse Gear and Brg
5	18020	1	Gear, Idler Assembly	11	20444	1	Spring, Comp. 1.0x.80x36 lb/in
6	17949	4	Bearing, Needle .75x1x.50				

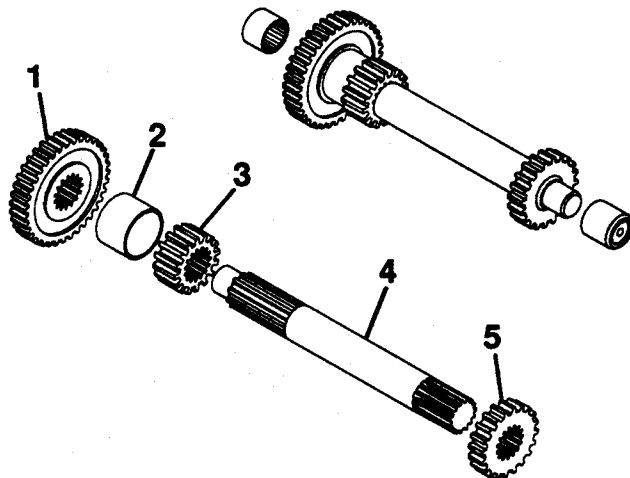
NUMBER THREE SHAFT - 3RD AND 4TH GEAR



NUMBER FOUR SHAFT - IDLER



NUMBER FIVE SHAFT - 1ST AND 2ND GEAR



NUMBER THREE SHAFT - 3RD AND 4TH GEAR

ITEM NO.	PART NO.	QTY.	DESCRIPTION	ITEM NO.	PART NO.	QTY.	DESCRIPTION
1	18000	1	Brg, Thrust Race .627x1.115x.094	4	17997	1	Shaft, Splined
2	17999	1	Spacer, 1.027x1.125x.457	5	17992	1	Gear, 10 DP 16 Teeth x .750
3	19535	1	Gear	6	15118	1	Gear, 10 DP 20 Teeth x .600

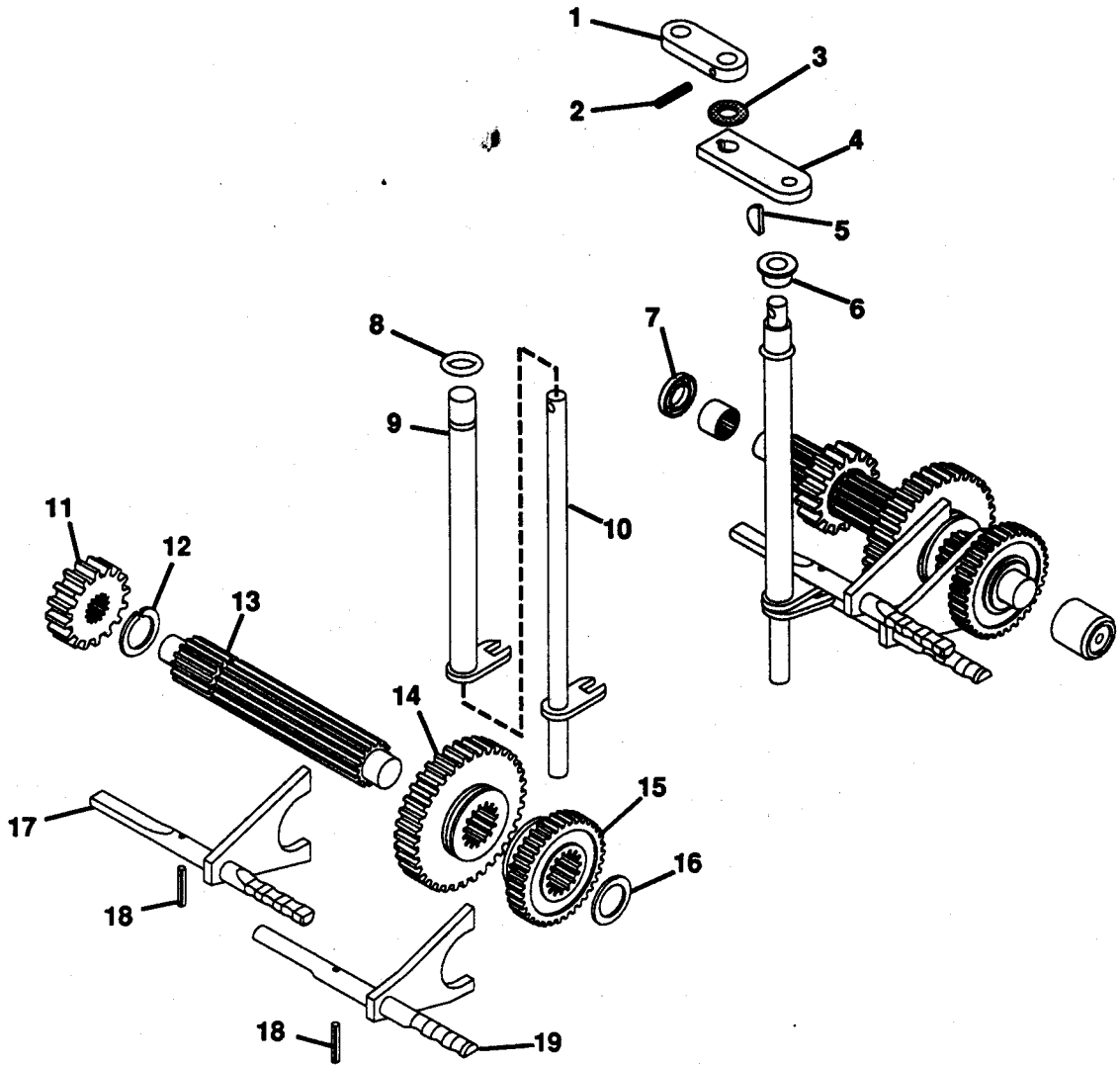
NUMBER FOUR SHAFT - IDLER

ITEM NO.	PART NO.	QTY.	DESCRIPTION	ITEM NO.	PART NO.	QTY.	DESCRIPTION
1	15118	1	Gear, 10 DP 20 Teeth x .600	3	15115	1	Gear, 10 DP 30 Teeth x .500
2	17995	1	Shaft, Splined				

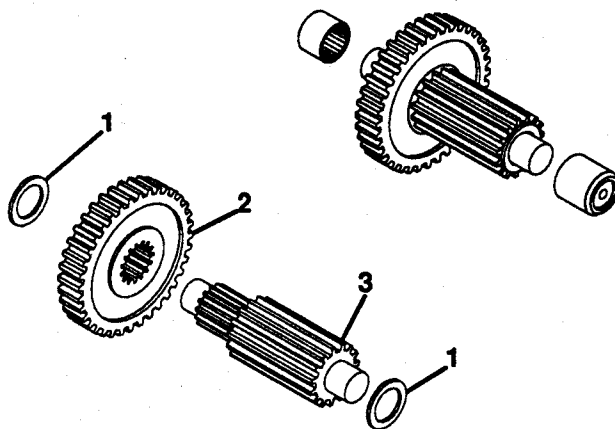
NUMBER FIVE SHAFT - 1ST AND 2ND GEAR

ITEM NO.	PART NO.	QTY.	DESCRIPTION	ITEM NO.	PART NO.	QTY.	DESCRIPTION
1	15115	1	Gear, 10 DP 30 Teeth x .500	4	17989	1	Shaft, Splined
2	17993	1	Spacer, 1.027x1.125x.550	5	15118	1	Gear, 10 DP 20 Teeth x .600
3	17992	1	Gear, 10 DP 16 Teeth x .750				

NUMBER SIX SHAFT - BRAKE/SLIDING GEAR



NUMBER SEVEN SHAFT - PINION/FINAL DRIVE



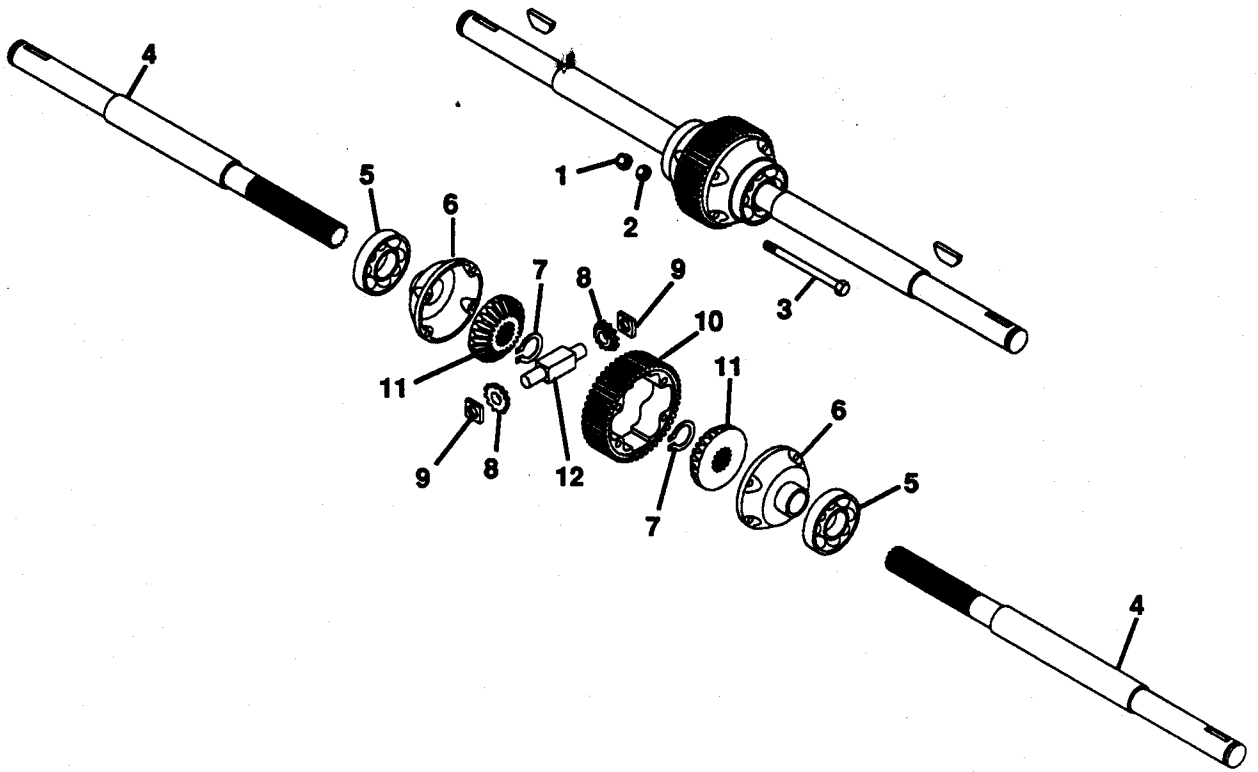
NUMBER SIX SHAFT - BRAKE/SLIDING GEAR

ITEM NO.	PART NO.	QTY.	DESCRIPTION	ITEM NO.	PART NO.	QTY.	DESCRIPTION
1	17945	1	Arm, Shifter	11	14988	1	Gear, 8 DP 16 Teeth x .850
2	421202	1	Pin, Spring .188x1.000	12	14987	1	Ring, Retaining 1.00 Shaft
3	21141	1	Washer, Felt (Special for Trans.)	13	35438	1	Shaft, Slide Gear
4	17944	1	Arm, Shifter	14	14989	1	Gear, Sliding 10 DP 36 Teeth x .59
5	271089	1	Key, Woodruff .125x.375 Hard	15	14995	1	Gear, Sliding 10 DP 30 Teeth x .59
6	17943	1	Bushing, .756x1.125x.75	16	14998	1	Race, Brg Thrust .752x1.240x.095
7	15137	1	Seal, Oil .750x1.254x.188	17	20761	1	Wldmt, Rail Shift Fork 1&3 Range
8	18018	1	O-Ring, 5/8x3/4x1/16	18	456390	2	Pin, Spring .25x.75
9	17940	1	Weldment, 1st and 3rd Shifter	19	20762	1	Wldmt, Rail Shift Fork 2&4 Range
10	17937	1	Weldment, 2nd and 4th Shifter				

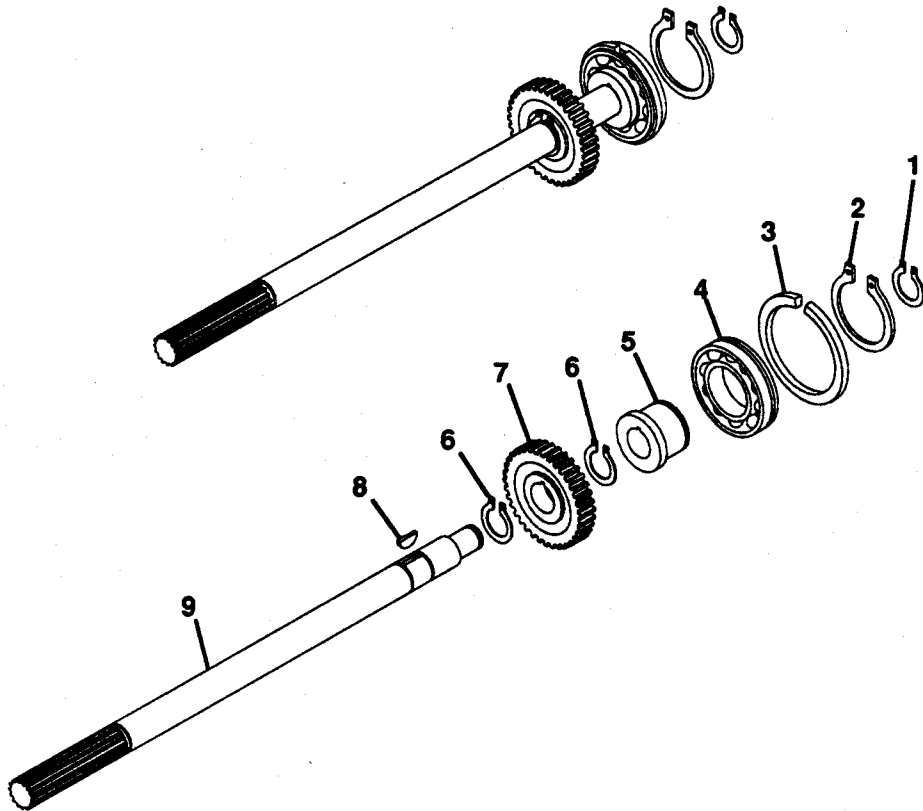
NUMBER SEVEN SHAFT - PINION/FINAL DRIVE

ITEM NO.	PART NO.	QTY.	DESCRIPTION	ITEM NO.	PART NO.	QTY.	DESCRIPTION
1	19340	2	Race, Brg Thrust 1.002x1.552x.03	3	17986	1	Pinion, Final Drive
2	17987	1	Gear, 8 DP 30 Teeth x .750				

NUMBER EIGHT SHAFT - DIFFERENTIAL ASSEMBLY



NUMBER NINE SHAFT - PTO CLUTCH



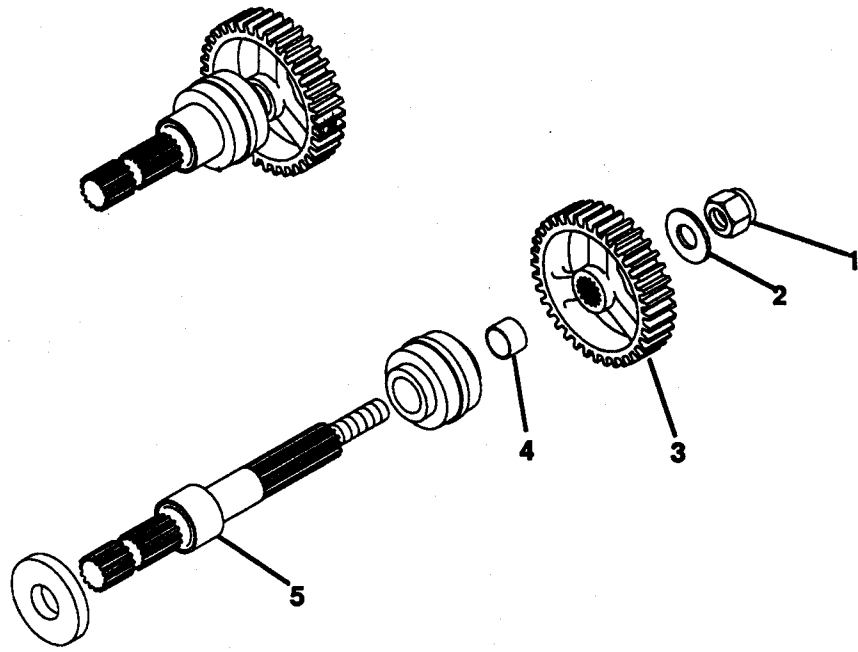
NUMBER EIGHT SHAFT - DIFFERENTIAL ASSEMBLY

ITEM NO.	PART NO.	QTY.	DESCRIPTION	ITEM NO.	PART NO.	QTY.	DESCRIPTION
1	419455	4	Nut, Lock 5/16-18	7	21608	2	Ring, Retaining 1.250 Sft Heavy
2	20514	4	Nut, Hex 5/16-18 Grade-8	8	19952	2	Pinion, Bevel
3	23712	4	Bolt, Hex 5/16-18x2.75 Grade-8	9	46376	2	Block, Drive
4	46011	2	Axle, Bevel Gear Differential	10	23531	1	Gear, Final Drive
5	46014	2	Bearing, Ball	11	46012	2	Gear, Bevel
6	46013	2	Cap, Differential End	12	19954	1	Pin, Spider Pinion

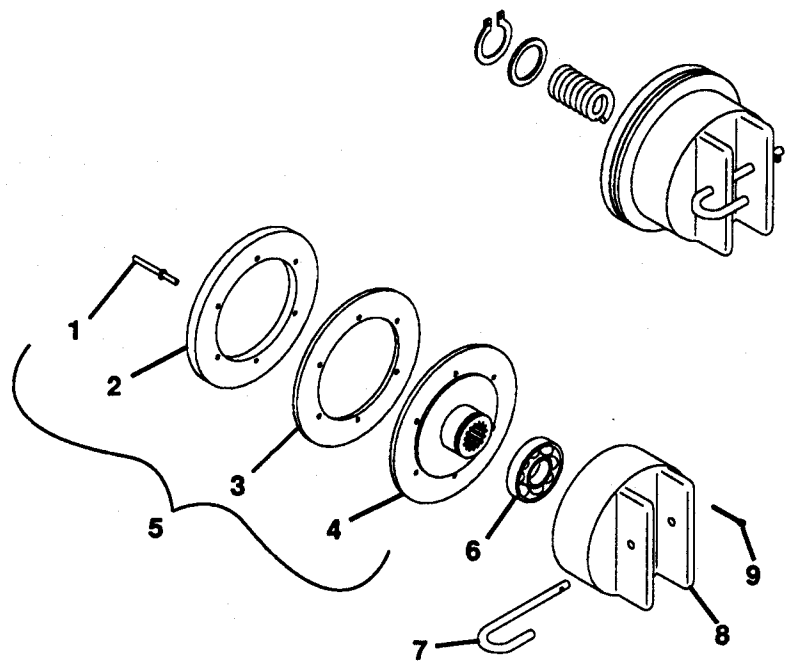
NUMBER NINE SHAFT - PTO CLUTCH

ITEM NO.	PART NO.	QTY.	DESCRIPTION	ITEM NO.	PART NO.	QTY.	DESCRIPTION
1	11135	1	Ring, Retaining .750 Shaft	6	21557	2	Ring, Retaining .984 Shaft
2	23523	1	Ring, Retaining	7	35441	1	Gear, PTO Cross Shaft
3	17966	1	Ring, Retaining	8	124549	1	Key, Woodruff .187x.750 Hrd #9
4	17967	1	Bearing, Ball 1.378x2.440x.551	9	42635	1	Shaft, PTO
5	35491	1	Adapter, PTO Bearing				

NUMBER TEN SHAFT - PTO DRIVE ASSEMBLY



NUMBER ELEVEN - FWD-REV CLUTCH ASSEMBLY



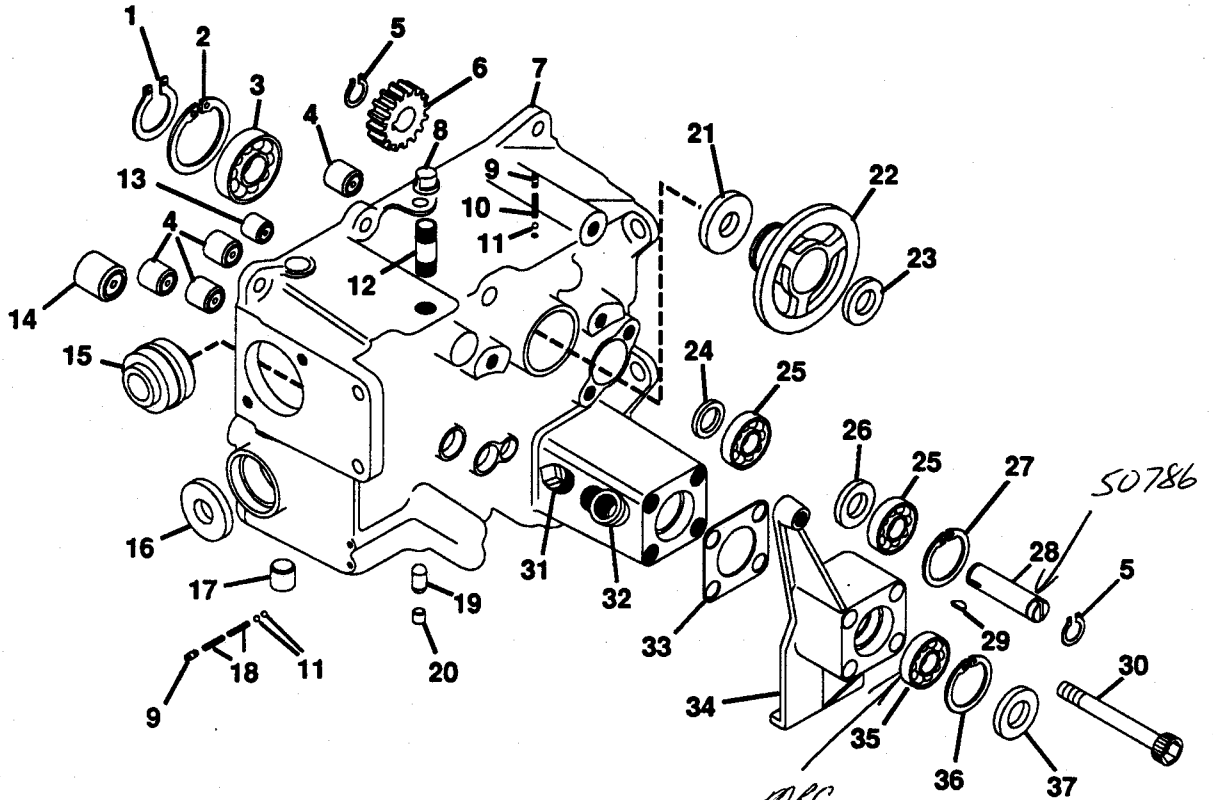
NUMBER TEN SHAFT - PTO DRIVE ASSEMBLY

ITEM NO.	PART NO.	QTY.	DESCRIPTION	ITEM NO.	PART NO.	QTY.	DESCRIPTION
1	414075	1	Nut, Lock 5/8-11	4	17924	1	Spacer, 1.060x1.375x.450
2	33845	1	Washer, Flat .687x1.312x.122	5	19538	1	Shaft, PTO
3	45114	1	Gear, PTO 34 Tooth				

NUMBER ELEVEN - FWD-REV CLUTCH ASSEMBLY

ITEM NO.	PART NO.	QTY.	DESCRIPTION	ITEM NO.	PART NO.	QTY.	DESCRIPTION
1	44141	1	Rivet, Steel (Bag of 50)	6	35330	2	Bearing, Ball 1.574x3.149x.708
2	40692	2	Lining, Clutch	7	35681	2	Pin, Clutch Spring
3	42481	2	Ring, Clutch	8	34734	2	Trunnion, Fwd-Rev Clutch
4	42484	2	Disc, Clutch	9	121223	2	Pin, Cotter .06x.75
5	42482	2	Assembly, Clutch and Ring				

NUMBER TWELVE - TRANSMISSION CASE ASSEMBLY



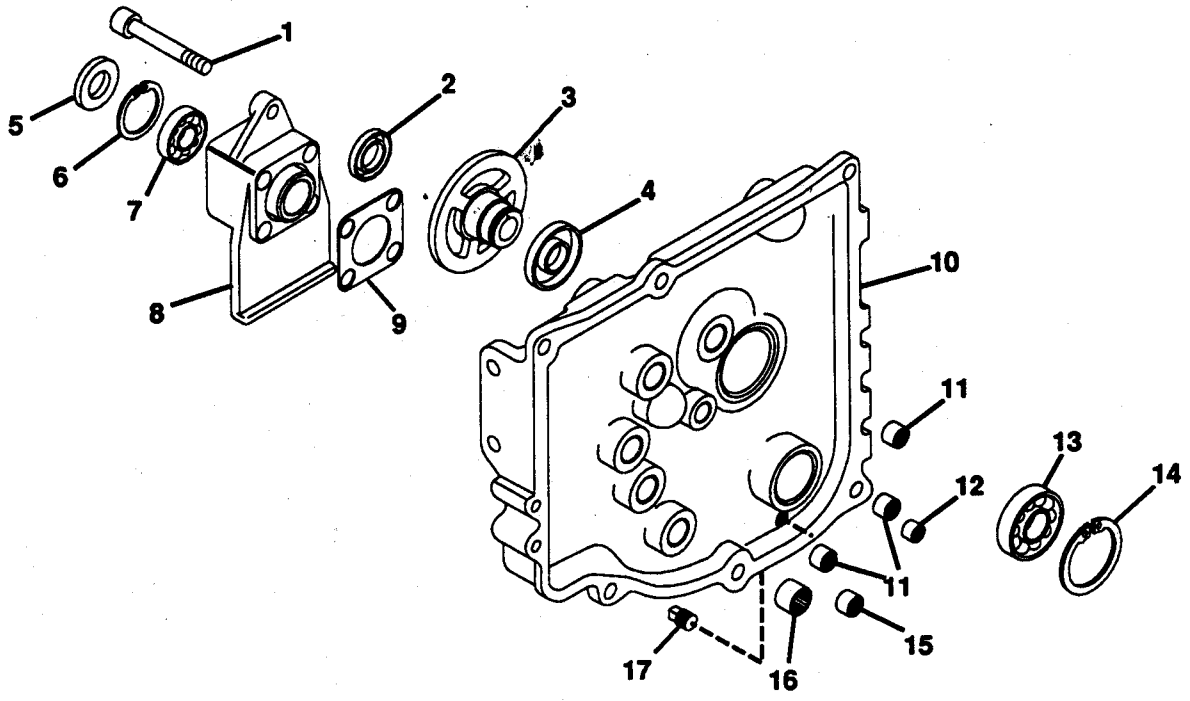
MRC
R2022
Seal both sides

SKF
R20 2RS

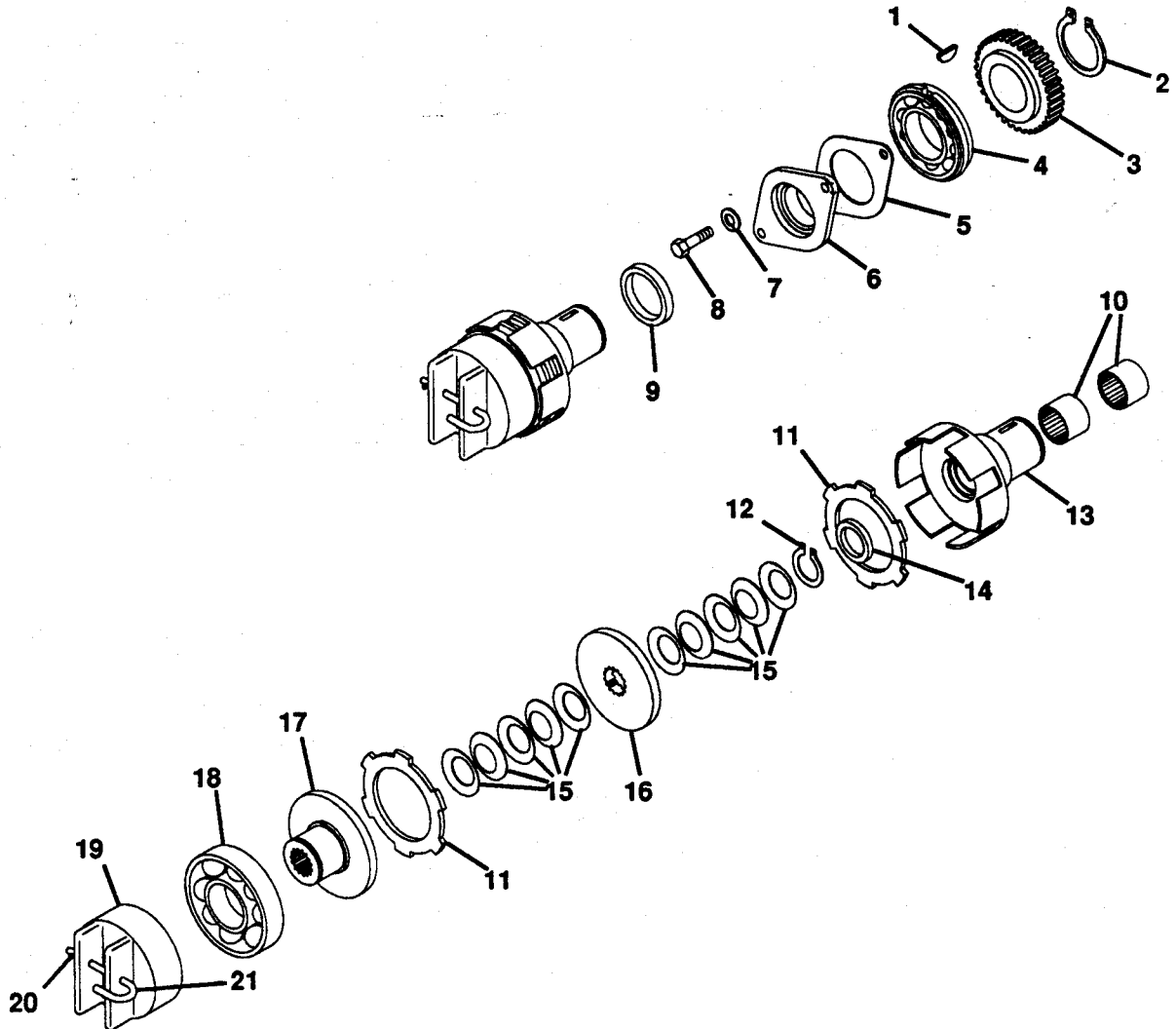
NUMBER TWELVE - TRANSMISSION CASE ASSEMBLY

ITEM NO.	PART NO.	QTY.	DESCRIPTION	ITEM NO.	PART NO.	QTY.	DESCRIPTION
1	17919	1	Ring, Retaining 1.969 Shaft	20	421743	1	Plug, Cup 3/8
2	18872	1	Ring, Retaining 3.156 Bore	21	17917	2	Seal, Oil 2.250x3.005x.375
3	17915	1	Bearing, Ball 1.968x3.149x.629	22	18024	1	Hub, Clutch
4	17913	4	Bearing, Needle .75x1x.75	23	18035	1	Seal, Oil .75x1.625x.25
5	18809	2	Ring, Retaining .594 Shaft	24	18807	1	Spacer, .276x.620x.750
6	18808	1	Gear, Hydraulic Pump	25	12626	2	Bearing, Ball .590x1.378x.433
7	46099	1	Assembly, Transmission Case	26	18798	1	Spacer .620x.750x.364
8	19472	1	Cap, Pipe 1/2 NPT	27	18799	1	Ring, Retaining 1.378 Bore
9	103877	3	Plug, Pipe 1/8	28	18207 50786	1	Shaft, Hydraulic Pump <i>50786</i>
10	24772	1	Spring	29	271089	1	Key, Woodruff .125x.375 Hard
11	274301	5	Ball, Steel 5/16	30	138300	4	Bolt, 1/2-13x3.50 Hex Head Cap
12	121664	1	Nipple, Pipe 1/2x2.5	31	103880	1	Plug, Pipe 1/2
13	17914	1	Bearing, Needle .625x.812x.750	32	108686	1	Elbow, 1/2 90 Degree Street
14	17912	1	Bearing, Needle 1.000x1.250x.75	33	18030	1	Gasket
15	14640	1	Asm, Bearing 1.00x1.98x1.243	34	42976	1	Retainer, Axle Bearing
16	17923	1	Seal, Oil 1.375x2.129x.312	35	18029	1	Bearing, Ball 1.250x2.250x.500
17	17946	1	Plug	36	18812	1	Ring, Retaining .08 Thick
18	17936	4	Spring, Comp. 1.50x.30x26 lb/in	37	18031	2	Seal, Oil Axle
19	18200	1	Pin, Interlock				

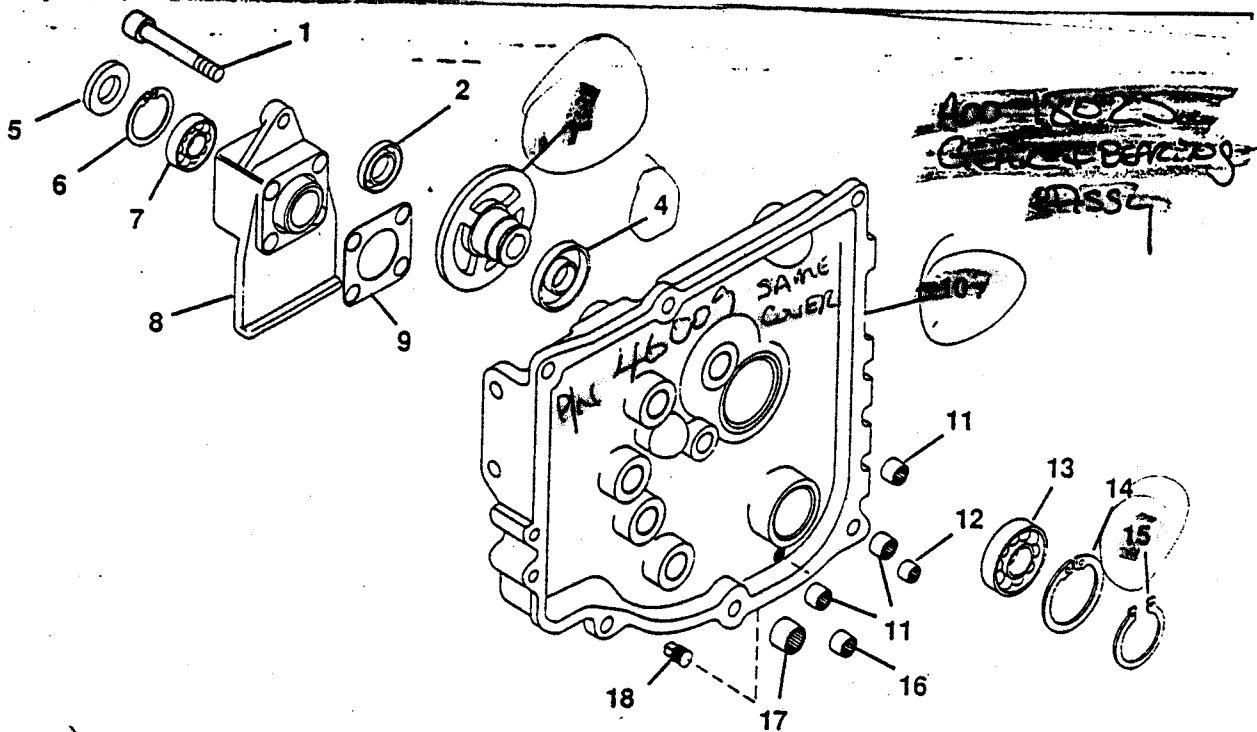
NUMBER THIRTEEN - TRANSMISSION COVER ASSEMBLY



NUMBER FOURTEEN - PTO CLUTCH ASSEMBLY



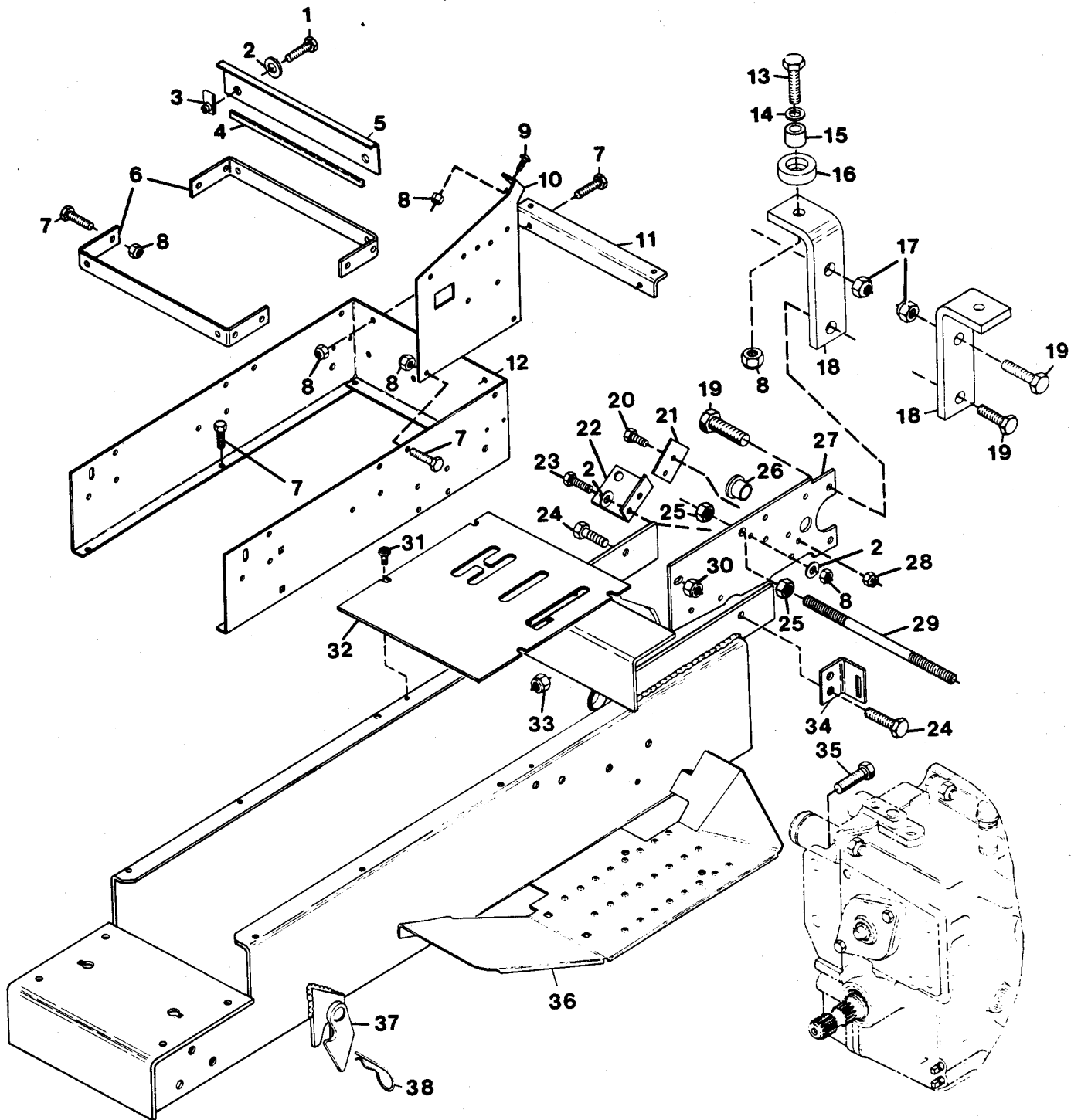
NUMBER THIRTEEN - TRANSMISSION COVER ASSEMBLY



(8-90)

ITEM NO.	PART NO.	QTY.	DESCRIPTION	ITEM NO.	PART NO.	QTY.	DESCRIPTION
1	138300	4	Bolt, 1/2-13x3.50 Hex Head Cap	10	50648	1	Assembly, Transmission Cover
2	18035	1	Seal, Oil .750x1.625x.250	11	17913	3	Bearing, Needle .75x1x.75
3	50604	1	Hub, Clutch	12	17914	1	Bearing, Needle .625x.812x.75
4	46323	1	Seal, Oil	13	46321	1	Bearing, Ball
5	18031	2	Seal, Oil Axle	14	46322	1	Ring, Retaining .109 Thick
6	18812	1	Ring, Retaining .08 Thick	15	17919	1	Ring, Retaining 1.969 Shaft
7	18029	1	Bearing, Ball 1.250x2.250x.500	16	11063	1	Bearing, Needle .75x1x.75
8	46061	1	Retainer, Axle Bearing	17	17912	1	Brg, Needle 1.000x1.250x.750
9	18030	1	Gasket	18	103879	1	Plug, Pipe 3/8
11	42634	2	Disc, Clutch				

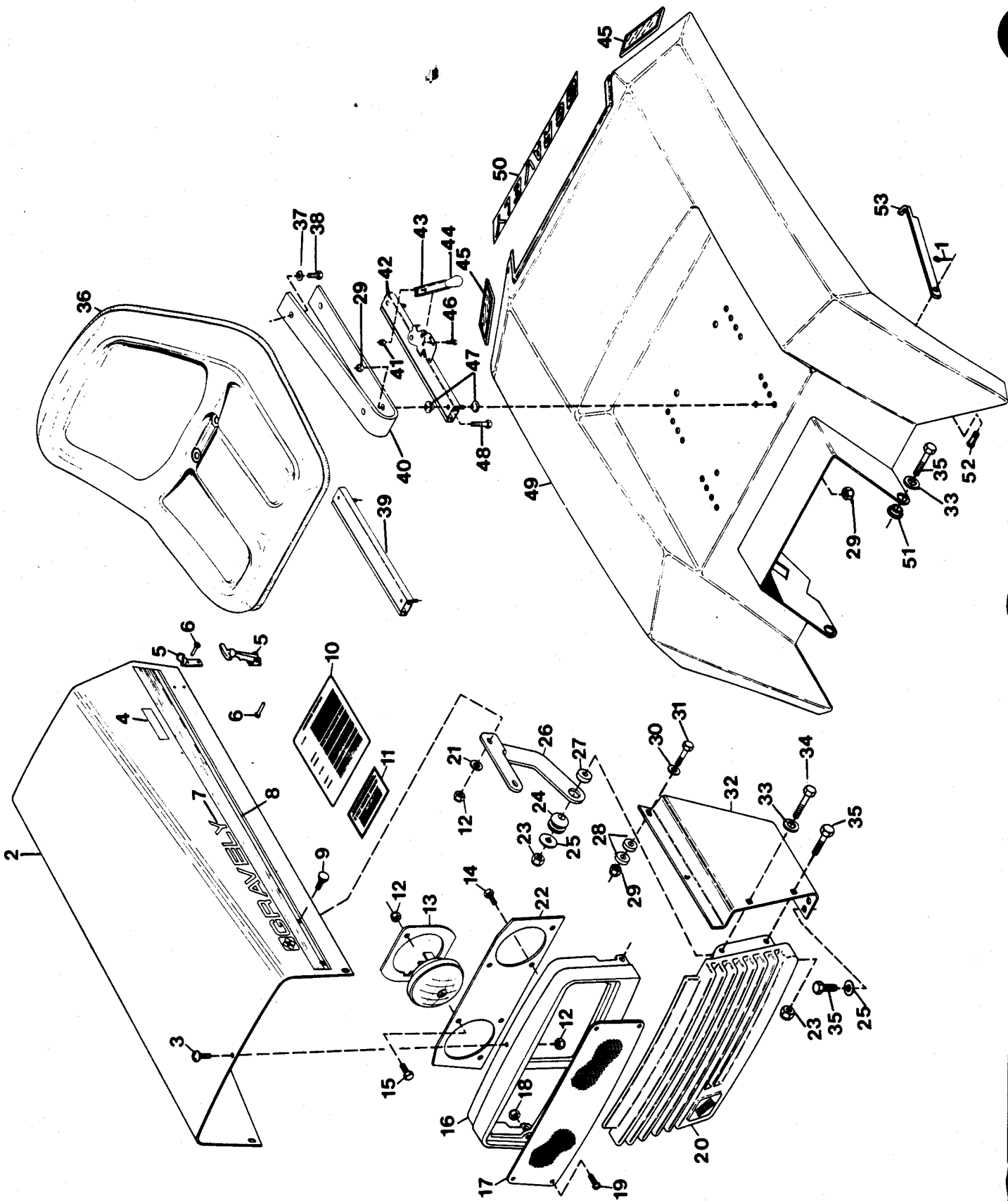
FRAME



FRAME

ITEM NO.	PART NO.	QTY.	DESCRIPTION	ITEM NO.	PART NO.	QTY.	DESCRIPTION
1	180021	4	Bolt, Hex 1/4-20x.875	20	180077	4	Bolt, Hex 5/16-18x.75
2	120392	8	Washer, Flat .281x.625x.065	21	40822	2	Bracket, Bushing Lock
3	32369	4	Nut, Retainer	22	46305	1	Bracket, Interlock Switch
4	14897	2	Moulding	23	180022	2	Bolt, Hex 1/4-20x1.00
5	22421	2	Bracket, Forward Tank	24	180126	2	Bolt, Hex 3/8-16x1.50
6	45831	2	Bracket, Fuel Tank	25	120378	4	Nut, Hex 1/2-13
7	180020	22	Bolt, Hex 1/4-20x.75	26	10174	2	Bushing, Nylon .76x1.00x.76 Fig.
8	419454	26	Nut, Lock 1/4-20	27	46301	2	Plate, Fwd-Rev Mounting
9	160541	2	Screw, Machine 1/4-20x.75 PHD	28	419455	4	Nut, Lock 5/16-18
10	40449	1	Brace, Instrument Panel L.H.	29	40207	1	Rod, Frame Extension Brace
	40450	1	Brace, Instrument Panel R.H.	30	456004	3	Nut, Lock 3/8-16
11	40548	1	Bracket, Instrument Panel	31	167260	4	Screw, Tapping 1/4-20x.625 PHD
12	47312	1	Support, Instrument Panel	32	47399	1	Plate, Hydraulic Control Cover
13	180024	2	Bolt, Hex 1/4-20x1.25	33	11058	4	Nut, Rim
14	120386	2	Washer, Flat .312x.734x.065	34	46306	1	Bracket, Fender Hold-Up
15	34723	2	Bushing, .259x.375x.25	35	181700	4	Bolt, Hex 1/2-20x1.50
16	24357	2	Bumper, Seat	36	45555	1	Weldment, Frame
17	435507	2	Nut, Lock 1/2-13	37	21087	1	Weldment, Mower Bracket R.H.
18	45594	2	Bracket, Rear Hitch		21088	1	Weldment, Mower Bracket L.H.
19	180177	4	Bolt, Hex 1/2-13x1.50	38	10405	2	Pin, Hair

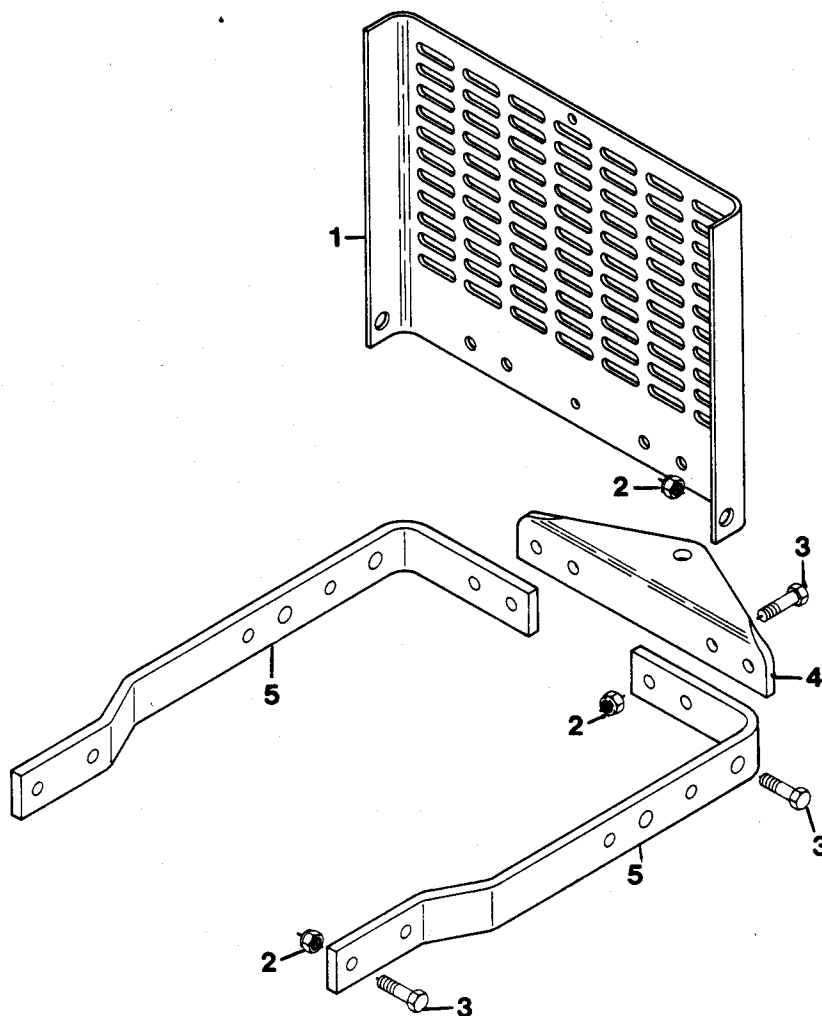
HOOD AND REAR DECK



HOOD AND REAR DECK

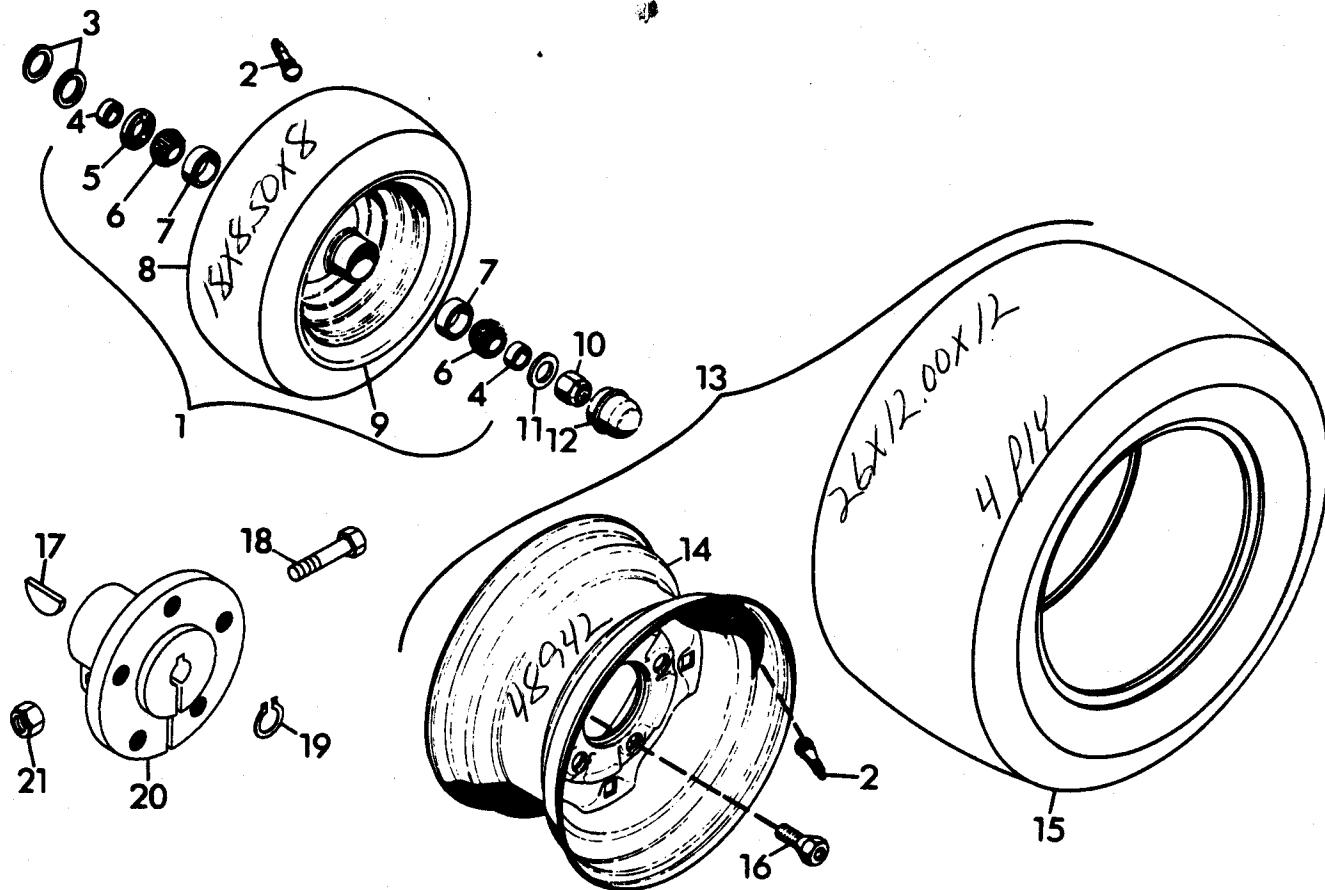
ITEM NO.	PART NO.	QTY.	DESCRIPTION	ITEM NO.	PART NO.	QTY.	DESCRIPTION
1	121223	1	Pin, Cotter .06x.75	28	34383	4	Spacer, .375x.100x1.00
2	46028	1	Hood, Silk Screen	29	419455	10	Nut, Lock 5/16-18
3	160541	3	Screw, Machine 1/4-20 PHD	30	120393	2	Washer, Flat .344x.688x.065
4	46078	2	Decal, Model 24-G	31	180085	2	Bolt, Hex 5/16-18x1.75
5	35294	2	Latch, Flexible	32	39836	1	Panel, Side L.H.
6	32661	6	Rivet, Dome Head		39835	1	Panel, Side R.H.
7	43003	1	Decal, Gravely Logo	33	120394	4	Washer, Flat .406x.812x.065
8	44074	1	Decal, Side Stripe L.H. and R.H.	34	180130	2	Bolt, Hex 3/8-16x2.00
9	120518	4	Bolt, 1/4-20x.75 Rd Hd Sq Nk	35	180122	8	Bolt, Hex 3/8-16x1.00
10	40754	1	Decal, Maintenance	36	45610	1	Seat, High Back
11	11989	2	Decal, Electrical System Warning	37	120214	4	Washer, Lock 5/16 Reg.
12	419454	11	Nut, Lock 1/4-20	38	180077	4	Bolt, Hex 5/16-18x.75
13	39070	2	Ring, Headlight Retainer	39	35642	1	Adjuster, Seat
14	45207	2	Screw, 1/4-20x.50 Self-Tapping	40	42175	2	Spring, Seat
15	180022	4	Bolt, Hex 1/4-20x1.00	41	190254	2	Nut, Lock 10-24
16	38673	1	Bezel, Headlight	42	35641	1	Adjuster, Seat w/Latch
17	38671	1	Panel, Headlight Lense	43	39063	1	Handle, Seat Slide
18	190254	4	Nut, Lock 10-24	44	43192	1	Tip, Lever
19	159947	4	Screw, Machine 10-24x.75 PHD	45	17837	2	Reflector, Red Safety
20	39831	1	Casting, Grille	46	159929	2	Screw, Machine 10-24x.625 PHD
21	120392	4	Washer, Flat .281x.625x.065	47	35670	8	Spacer
22	38672	1	Panel, Headlight Reflector	48	180081	4	Bolt, Hex 5/16-18x1.25
23	456004	6	Nut, Lock 3/8-16	49	46031	1	Weldment, Seat Pan Notched
24	35518	2	Grommet	50	44077	1	Decal, Gravely Logo
25	120388	6	Washer, Flat .438x1.000x.083	51	24815	2	Bushing, Rear Fender
26	39047	1	Hinge, Hood L.H.	52	18420	1	Pin, Clevis .250x.406
	39049	1	Hinge, Hood R.H.	53	24996	1	Strap, Fender Hold-Up
27	36849	2	Spacer				

REAR HITCH



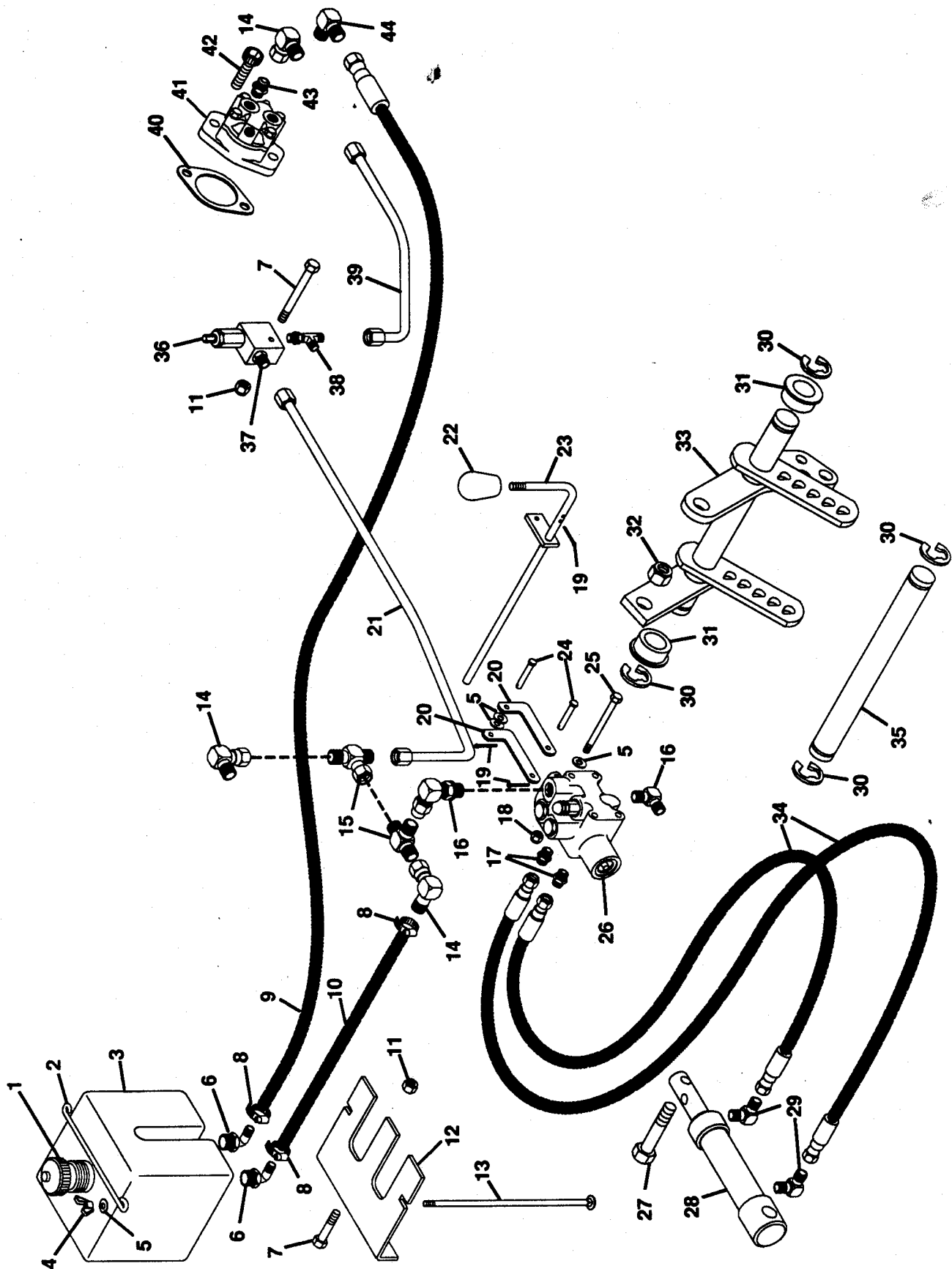
ITEM NO.	PART NO.	QTY.	DESCRIPTION	ITEM NO.	PART NO.	QTY.	DESCRIPTION
1	46179	1	Guard, Engine	4	19517	1	Plate, Hitch
2	435507	10	Nut, Lock 1/2-13	5	46181	2	Arm, Rear Hitch
3	180179	10	Bolt, Hex 1/2-13x1.75				

FRONT AND REAR WHEELS



ITEM NO.	PART NO.	QTY.	DESCRIPTION	ITEM NO.	PART NO.	QTY.	DESCRIPTION
1	46081	2	Assembly, Front Tire	12	18449	2	Cap
2	11191	2	Assembly, Valve Stem	13	46080	2	Assembly, Rear Tire
3	423315	4	Washer, Flat .813x1.37x.100	14	47133	1	Rim, Rear Wheel
4	18448	2	Spacer	15	47134	1	Tire, Rear
5	18447	1	Seal, Oil	16	12744	10	Bolt, Hub 7/16-20x.75 (Special)
6	18446	2	Bearing, Cone LM 11949	17	117988	2	Key, Woodruff .312x2.125
7	18445	2	Bearing, Cup LM 11910	18	180181	2	Bolt, Hex 1/2-13x2.00
8	47132	1	Tire, Front	19	21608	2	Ring, Retaining 1.250 Shaft
9	47131	1	Rim, Front Wheel	20	46024	2	Hub, Locking Wheel
10	418692	2	Nut, Lock 5/8-11	21	435507	2	Nut, Lock 1/2-13
11	131016	2	Washer, Flat .656x1.312x.095				

HYDRAULIC SYSTEM



HYDRAULIC SYSTEM

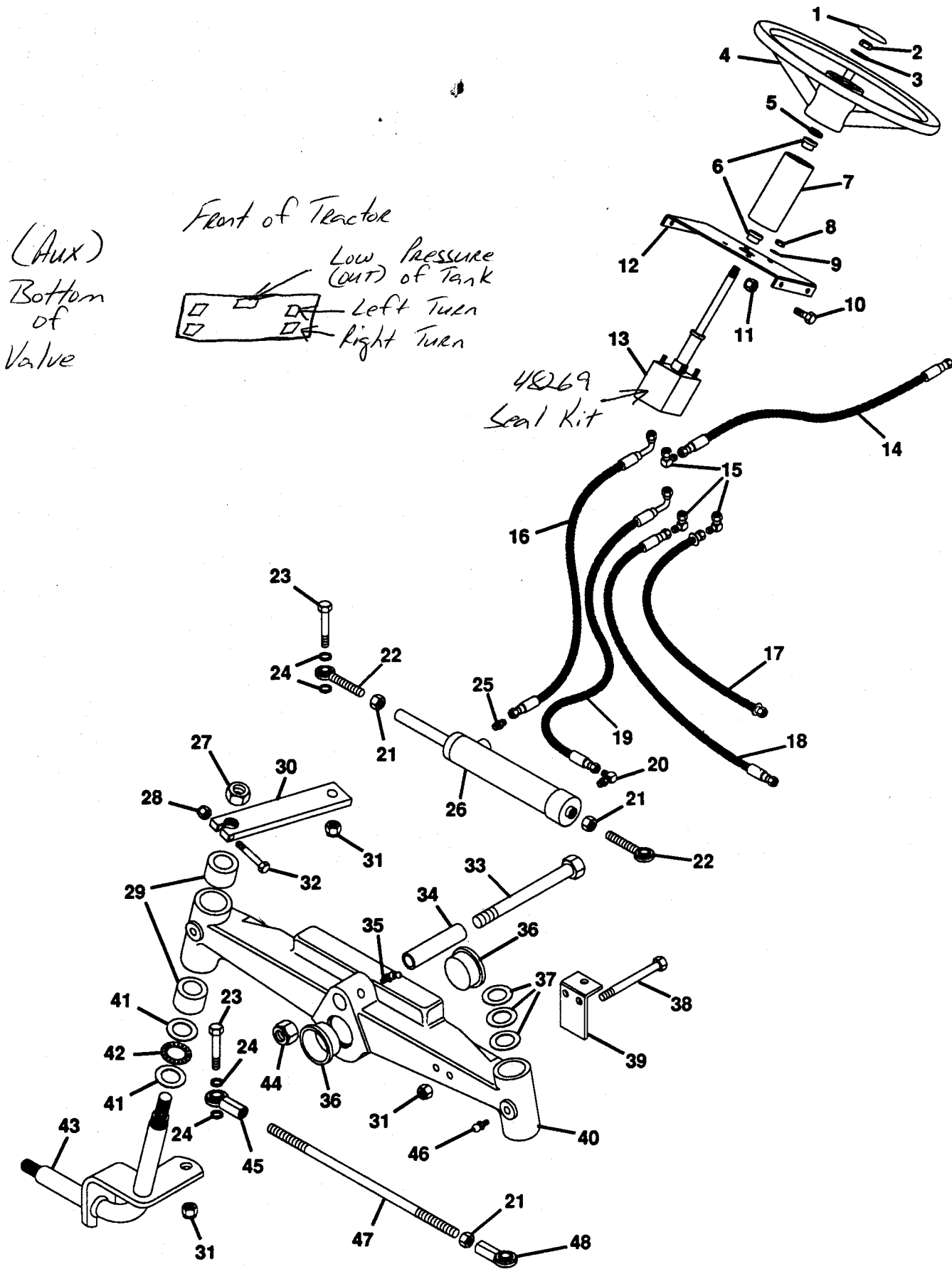
ITEM NO.	PART NO.	QTY.	DESCRIPTION	ITEM NO.	PART NO.	QTY.	DESCRIPTION
1	44877	1	Cap, Tank	23	47191-45855	1	Weldment, Hydraulic Control Rod
2	45870	1	Rod, Oil Tank Hold-Down	24	40970	2	Pin, Clevis
3	45270	1	Tank, Hydraulic	25	180050	4	Bolt, Hex 1/4-20x2.75
4	10413	2	Nut, Wing 1/4-20	26	18825	1	Valve, Hydraulic
5	120392	8	Washer, Flat .281x.625x.065	27	180181	1	Bolt, Hex 1/2-13x2.00
6	46116	2	Fitting Male Elbow 1/2x1/2	28	31284	1	Cylinder, Hydraulic
7	180087	3	Bolt, Hex 5/16-18x.75	29	18826	2	Adaptor (P-H #2503-4-4)
8	21247	3	Clamp, .88 Dia. Hose	30	11112	4	E-Ring, 1.000 Shaft
9	46118	1	Hose, Tank to Pump	31	18355	2	Bushing, Pivot
10	46119	1	Hose, Lift Valve to Tank	32	414074	1	Nut, Lock 1/2-13
11	419455	3	Nut, Lock 5/16-18	33	45859	1	Weldment, Lift Lever Shaft
12	45869	1	Support, Hydraulic Oil Tank	34	18845	2	Hose, Hydraulic 14.5
13	126932	2	Bolt, 1/4-20x8.00 Rd Hd Sq Nk	35	45860	1	Shaft, Hydraulic Cylinder
14	18818	3	Adaptor (P-H #3903-6-6)	36	46121	1	Valve, Pressure Relief
15	46117	2	Adapter, T. Flex (6600-6-6)	37	19167	1	Adapter, (P.H. #0503-6-6)
16	18828	2	Adaptor (P-H #2503-6-6)	38	46122	1	Adaptor
17	21286	2	Adaptor (P-H #0503-4-4)	39	46123	1	Line, Pump to Valve
18	419454	4	Nut, Lock 1/4-20	40	18422	1	Gasket, Cover Plate
19	121222	3	Pin, Cotter .094x.75	41	46023	1	Pump, Hydraulic
20	41237	2	Rod, Hydraulic Control	42	426370	2	Screw, Cap 3/8-16 Hex Socket HD
21	46124	1	Line, Valve to Tank	43	23206	1	Adaptor
22	32659	1	Knob, PTO	44	46072	1	Adaptor (P-H #0503-10-6)

45 47193 2 Bushing Nylon
 46 414074 1 Nut, Lock 1/2-13

(See Addendum)

STI 018

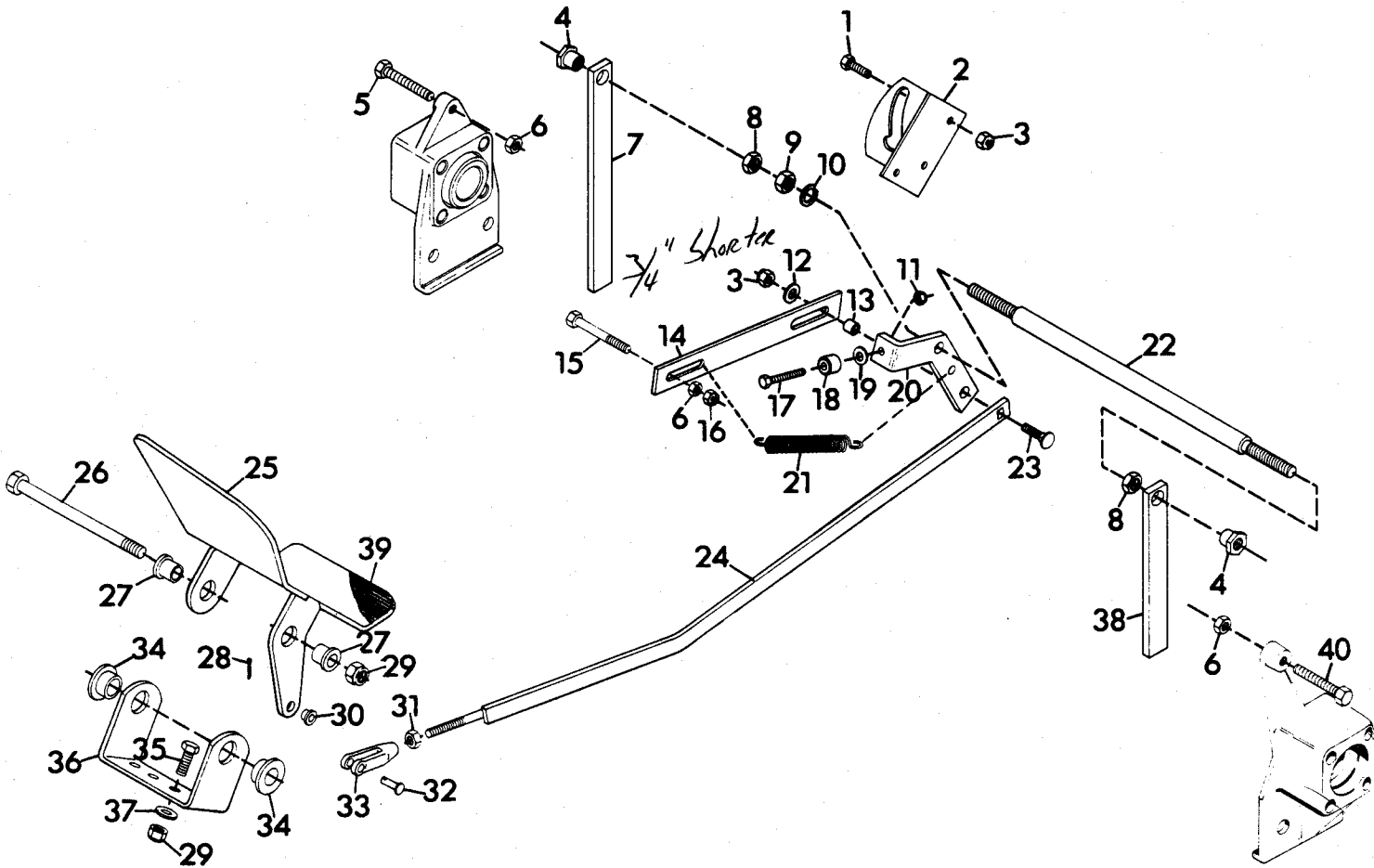
STEERING



STEERING

ITEM NO.	PART NO.	QTY.	DESCRIPTION	ITEM NO.	PART NO.	QTY.	DESCRIPTION
1	31426	1	Cap, Steering Wheel	26	44583	1	Cylinder, Steering
2	124847	1	Nut, Jam 5/8-11 Hex	27	124589	2	Nut, Hex 5/8-11
3	131016	1	Washer, Flat .656x1.312x.095	28	190139	1	Nut, Lock 5/16-24
4	31281	1	Wheel, Steering	29	43359	4	Bushing, .877x1.004x1.0
5	20444	1	Spring, Comp. 1x.80x36 Lb/in	30	45830	1	Arm, Tie Rod
6	10174	2	Bushing, Nylon .760x1.00x.60 Flg	31	435507	6	Nut, Lock 1/2-13
7	41943	1	Bushing, Steering Wheel	32	181618	1	Bolt, Hex 5/16-24x1.75
8	120368	4	Nut, Hex 5/16-24	33	271781	1	Bolt, Hex 3/4-10x4.5
9	120214	4	Washer, Lock 5/16 Reg,	34	23237	1	Tube, Axle Pivot
10	180077	4	Bolt, Hex 5/16-18x.75	35	411031	1	Fitting, Lube 45 Deg.
11	419455	4	Nut, Lock 5/16-18	36	18785	2	Cap, Front Axle
12	45829	1	Bracket, Power Steering Support	37	131017	3	Washer, Flat .812x1.496x.134
13	46109	1	Power Steering Unit	38	180192	2	Bolt, Hex 1/2-13x3.50
14	46113	1	Hose, PSU to SC Relief Valve	39	45834	1	Bracket, Steering Cylinder
15	18818	3	Adapter (P.H. 3903-6-6)	* 40	45400	1	Axle, Steering <i>45833</i>
16	46111	1	Hose, PSU to SC Right	41	21541	4	Race, Bearing Thrust
17	46218	1	Hose, PSU to SC Tank	42	21543	2	Bearing, Needle Thrust
18	46112	1	Hose, PSU to SC Lift Valve	43	45571	1	Weldment, King Pin (R.H.)
19	46110	1	Hose, PSU to SC Left		45574	1	Weldment, King Pin (L.H.)
20	18828	1	Adapter (P.H. #2503-6-6)	44	456007	1	Nut, Lock 3/4-10
21	124934	3	Nut, Jam 1/2-20	45	44942	1	Rod End, Steering L.H.
22	44950	2	Assembly, Rod End (R.H.)	46	411027	2	Fitting, Lube 1/4-28
23	180181	4	Bolt, Hex 1/2-13x2.00	47	45862	1	Tie Rod
24	46192	8	Spacer, .500x.625x.125	48	44941	1	Rod End, Steering R.H.
25	19167	1	Adapter (P.H. #0503-6-6)				

DIRECTION CONTROL

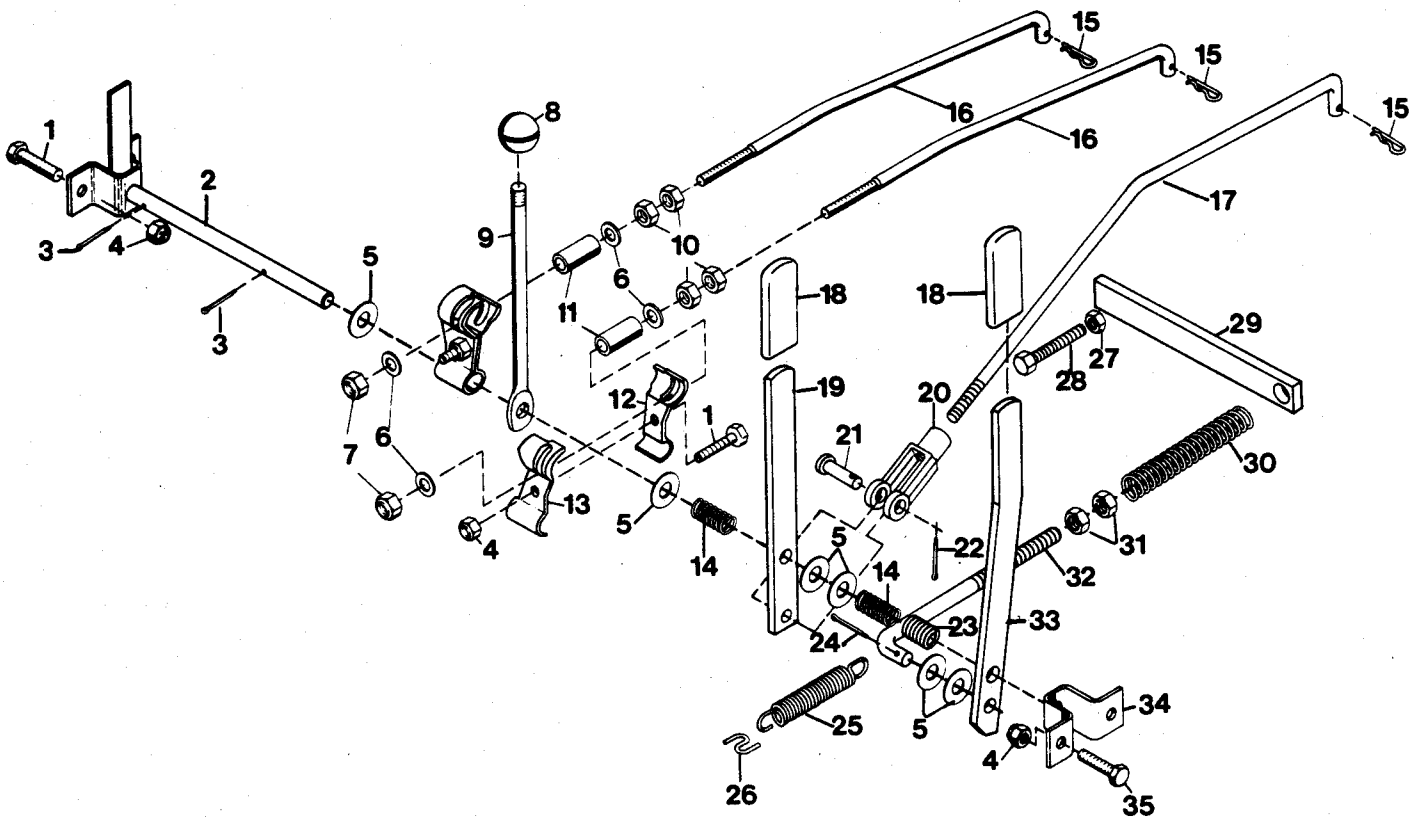


DIRECTION CONTROL

47/41 Not Same as 20-6

ITEM NO.	PART NO.	QTY.	DESCRIPTION	ITEM NO.	PART NO.	QTY.	DESCRIPTION
1	180079	2	Bolt, Hex 5/16-18x1.00	21	39844	1	Spring, Neutral Detent
2	46309	1	Weldment, Fwd-Rev Actuating	22	39840	1	Rod, Fwd-Rev Slide
3	419455	3	Nut, Lock 5/16-18	23	120230	1	Bolt, 5/16-18x1.25 Rd Hd Sq Nk
4	40305	2	Bushing, Fwd-Rev Slide Rod	24	45096	1	Weldment, Fwd-Rev Shifter
5	47176	1	Bolt, Hex 3/8-16x2.00 Special	25	45090	1	Pedal, Foot Clutch
6	120377	3	Nut, Hex 3/8-16	26	189315	1	Bolt, Hex 1/2-13x6.50
7	34715	1	Spring, Fwd-Rev Clutch	27	34738	2	Bushing, .513x.750x.625
8	120238	2	Nut, Jam 1/2-13 Hex	28	121222	1	Pin, Cotter .09x.75
9	120378	1	Nut, Hex 1/2-13	29	435507	3	Nut, Lock 1/2-13
10	131101	1	Washer, Lock 1/2 SP Heavy	30	45789	1	Bushing, Nylon .32x.437x.248
11	454750	1	Nut, Lock 1/4-28	31	120368	1	Nut, Hex 5/16-24
12	446354	1	Washer, Flat .313x.875x.065	32	121741	1	Pin, Clevis 5/16x.812
13	40360	1	Bushing, Fwd-Rev Linkage	33	34633	1	Yoke
14	39843	1	Strap, Neutral Detent	34	10174	2	Bushing, Nylon .76x1.00x.76 Fig.
15	180138	1	Bolt, Hex 3/8-16x3.00	35	180175	2	Bolt, Hex 1/2-13x1.25
16	456004	1	Nut, Lock 3/8-16	36	45094	1	Bracket, Clutch Pedal Pivot
17	40811	1	Bolt, Hex 1/4-28x1.38 Gr. 8	37	415543	2	Washer, Flat .531x1.250x.100
18	39842	1	Roller, Clutch Cam	38	43789	1	Spring, Reverse Clutch
19	120392	1	Washer, Flat .281x.625x.065	39	46043	1	Pad
20	39841	1	Arm, Fwd-Rev Clutch Roll	40	44609	1	Bolt, Hex 3/8-16x2.50

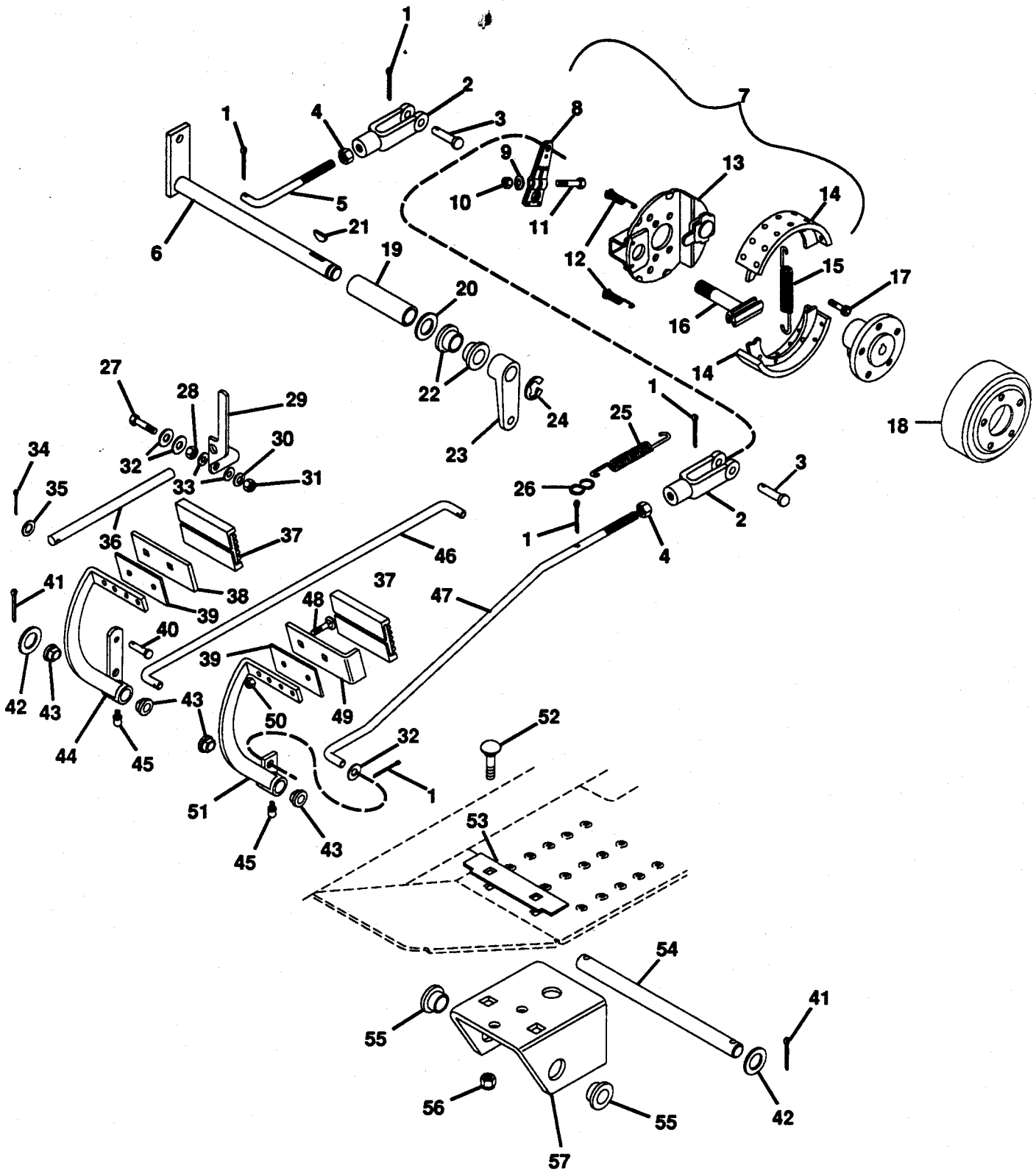
TRANSMISSION CONTROLS



TRANSMISSION CONTROLS

ITEM NO.	PART NO.	QTY.	DESCRIPTION	ITEM NO.	PART NO.	QTY.	DESCRIPTION
1	180077	5	Bolt, Hex 5/16-18x.75	19	33990	1	Lever, Hi-Lo Shift
2	45857	1	Weldment, Cross Shaft	20	18380	1	Clevis, 3/8-24 Adjustable
3	137185	2	Pin, Cotter .12x1.0	21	138078	1	Pin, Clevis .375x.948
4	419455	6	Nut, Lock 5/16-18	22	121222	1	Pin, Cotter .09x.75
5	120396	6	Washer, Flat .531x1.06x.095	23	11779	1	Spring, Comp. 1x.78x338
6	120388	4	Washer, Flat .438x1.00x.083	24	120123	1	Pin, Cotter .125x1.25
7	456004	2	Nut, Lock 3/8-16	25	11263	1	Spring, Extension 5.5x.5x20 Rate
8	10670	1	Knob, Control	26	11329	2	Clip, Spring
9	18371	1	Lever, Shift	27	120377	1	Nut, Hex 3/8-16
10	124829	4	Nut, Jam 3/8-16	28	44609	1	Bolt, Hex 3/8-16x2.50
11	33986	2	Bushing, .400x.500x1.65	29	46174	1	Spring, PTO Clutch
12	33988	2	Arm, Shifter R.H.	30	46175	1	Spring, Comp. (PTO Loading)
13	33989	2	Arm, Shifter L.H.	31	120238	4	Nut, Jam 1/2-13 Hex
14	18372	1	Spring, Comp. 2.75x.625x34	32	40815	1	Rod, Lift
15	11860	3	Pin, Cotter Hair	33	45835	1	Lever, PTO Control
16	33994	2	Rod, Shift	34	11096	1	Bracket, Cross Shaft
17	40143	1	Rod, 2-Speed	35	180079	1	Bolt, Hex 5/16-18x1.00
18	34067	2	Grip, Handle				

BRAKE LINKAGE



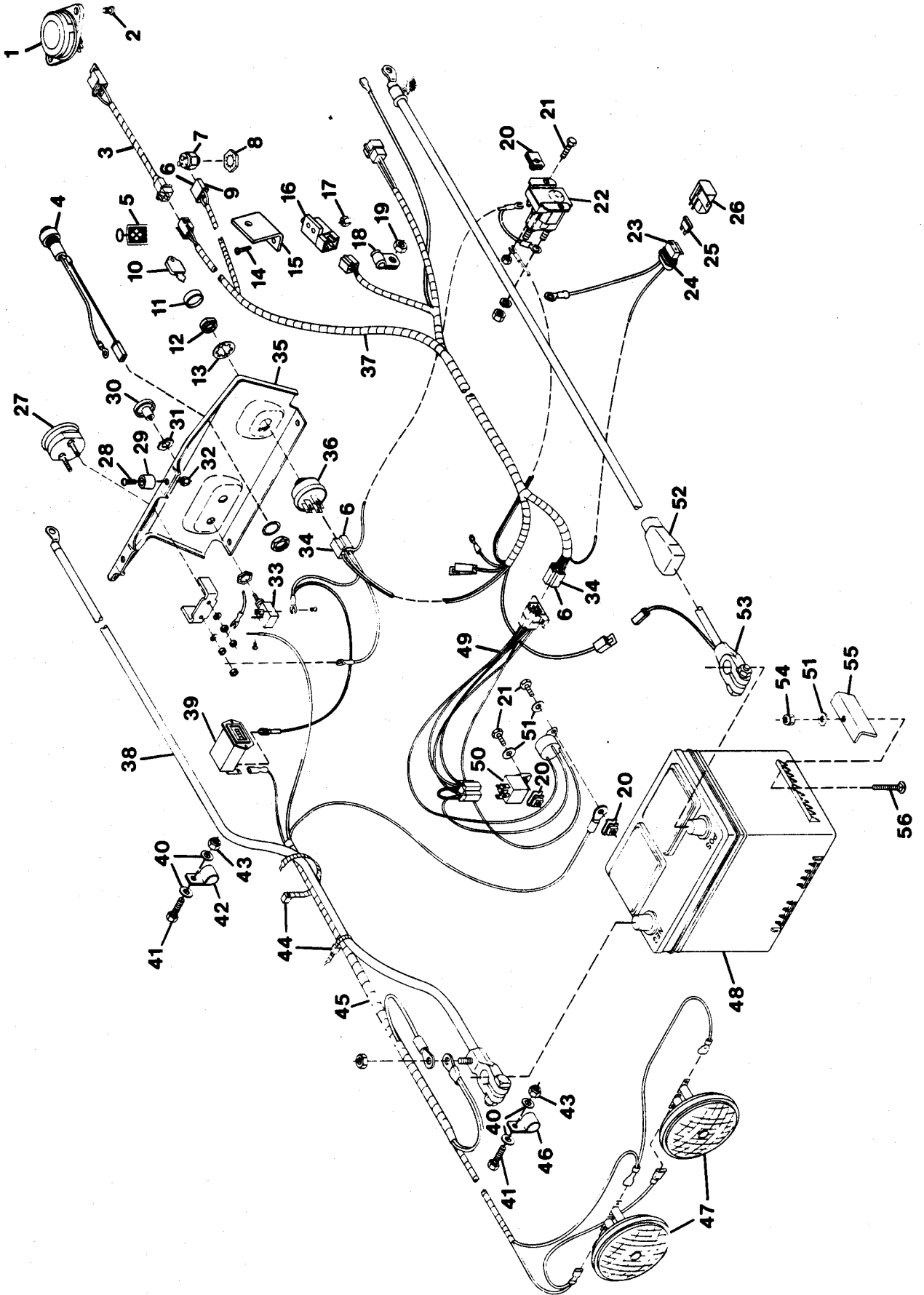
BRAKE LINKAGE

ITEM NO.	PART NO.	QTY.	DESCRIPTION	ITEM NO.	PART NO.	QTY.	DESCRIPTION
1	177923	6	Pin, Cotter .125x.75	30	120382	1	Washer, Lock 3/8
2	18380	2	Clevis, 3/8-24 Adjustable	31	413534	1	Nut, Lock 3/8-16
3	138078	2	Pin, Clevis .375x.948	32	120394	3	Washer, Flat .406x.812x.065
4	124925	2	Nut, Jam 3/8-24	33	20775	2	Washer, Nylon .375x.75x.06
5	45866	1	Rod, Brake Control R.H.	34	121223	1	Pin, Cotter .06x.75
6	45863	1	Weldment, Brake Cross Shaft	35	120392	2	Washer, Flat .281x.625x.065
7	45705	2	Brake, 7x1.75 Mechanical	36	46064	1	Rod
8	23505	1	Arm, Cam Lever	37	41944	2	Pad, Pedal
9	120214	1	Washer, Lock 5/16	38	45565	1	Pedal, Brake
10	120368	1	Nut, Hex 5/16-24	39	41921	2	Plate, Brake
11	181618	1	Bolt, Hex 5/16-24x1.75	40	45918	1	Pin, Clevis .25x1.03
12	23509	2	Spring, Shoe Retaining	41	120123	2	Pin, Cotter .125x1.25
13	46231	1	Plate, Back	42	421879	2	Washer, Flat .656x1.250x.100
14	23539	2	Shoe, Brake	43	26428	4	Bearing
15	23508	1	Spring, Shoe Return	44	45215	1	Weldment, Brake Pedal
16	23506	1	Cam, Brake	45	411027	2	Fitting, Lube 1/4-28
17	138300	8	Bolt, 1/2-13x3.50 Hex Head Cap	46	45865	1	Rod, Brake Control L.H.
18	44488	2	Drum, Brake	47	45264	1	Rod, Brake Control L.H.
19	47177	1	Spacer, Brake Cross Shaft	48	126325	4	Bolt, Carriage 1/4-20x1.25
20	423315	4	Washer, Flat .813x1.37x.100	49	41923	1	Pedal, Brake
21	124549	1	Key, Woodruff .187x.75 Hrd #9	50	419454	6	Nut, Lock 1/4-20
22	10174	2	Bushing, Nylon .76x1.00x.76 Fig.	51	45260	1	Weldment, Brake Pedal L.H.
23	18019	1	Lever, PTO	52	126227	2	Bolt, Carriage 3/8-16x.75
24	11270	1	E-Ring, .750 Shaft	53	45266	1	Strap, Brake Pedal Stop
25	11263	2	Spring, Ext. 5.5x.5x20 Rate	54	45263	1	Shaft, Brake Pedal Mntg
26	11329	3	Clip, Spring	55	45787	2	Bushing, Nylon .63x.873x.50
27	180124	1	Bolt, Hex 3/8-16x1.25	56	456004	2	Nut, Lock 3/8-16
28	124829	1	Nut, Jam 3/8-16 Hex	57	45222	1	Bracket, Brake Pedal
29	20772	1	Arm, Parking Brake Lock				

FUEL AND EXHAUST SYSTEM

ITEM NO.	PART NO.	QTY.	DESCRIPTION	ITEM NO.	PART NO.	QTY.	DESCRIPTION
1	11773	1	Assembly, Knob and Lever	25	46171	1	Header, Exhaust
2	11772	1	Washer, Friction	26	421705	4	Screw, Cap 5/16-18x.75 SHD
3	11774	1	Washer, Spring	27	120214	6	Washer, Lock 5/16 Reg.
4	416430	1	Nut, Lock 1/4-28	28	11202	2	Gasket, Exhaust
5	11770	1	Bracket, Mounting	29	180081	3	Bolt, Hex 5/16-18x1.25
6	181566	1	Bolt, Hex 1/4-28x.75	30	46217	1	Shield, Muffler
7	124925	1	Nut, Jam 3/8-24 Hex	31	21819	1	Clamp, Muffler U-Bolt
8	39859	1	Control, Choke	32	46073	1	Muffler, Exhaust
9	46377	1	Assembly, Choke Conduit	33	46182	1	Bracket, Muffler Support
10	21415	1	Gauge, Gas	34	180077	3	Bolt, Hex 5/16-18x.75
11	40620	1	Tank, Fuel	35	46030	1	Engine, 24 H.P. Onan
12	10629	6	Tie, Cable	36	18517	1	Seal, Oil 1.125x1.628x.250
13	21134	9 ft.	Line, Fuel	37	103909	1	Key, Woodruff .25x1.125 Sft.
14	32030	1	Shield, Heat	38	18346	1	O-Ring, 3.000x3.188x.094
15	18563	1	Valve, Fuel 90 Deg. Rev. Flow	39	40758	2	Race, Brg Thrust 1.125x1.75x.123
16	32045	2	Clamp, Hose	40	18341	1	Bearing, Thrust 1.127x1.740x.078
17	419455	5	Nut, Lock 5/16-18	41	454475	1	Screw, Cap 3/8-16x1.75 HSHD
18	446354	4	Washer, Flat .313x.875x.065	42	46234	1	Adaptor, Engine
19	180079	4	Bolt, Hex 5/16-18x1.00	43	120382	3	Washer, Lock 3/8 Reg.
20	41788	2	Clamp, Nylon	44	180128	3	Bolt, Hex 3/8-16x1.75
21	120393	4	Washer, Flat .343x.688x.065	45	120384	4	Washer, Lock 1/2 Reg.
22	35313	1	Clamp, Nylon	NS	160046	2	Screw, Machine 10-32x.50 PHD
23	180179	4	Bolt, Hex 1/2-13x1.75	NS	411893	2	Nut, Lock 10-32
24	45586	1	Gear, Spur and Bevel, Input				

ELECTRICAL SYSTEM



ELECTRICAL SYSTEM

ITEM NO.	PART NO.	QTY.	DESCRIPTION	ITEM NO.	PART NO.	QTY.	DESCRIPTION
1	45036	2	Switch, Seat	31	18587	1	Nut, Special Light Switch
2	160515	2	Screw, Machine 1/4-20	32	427254	2	Nut, Machine Lock 6-32
3	45601	1	Harness, Wiring Seat Switch	33	11337	1	Switch, Light
4	41926	1	Light, Indicator	34	38058	2	Connector
5	45842	1	Chain, Key	35	46286	1	Panel, Silk Screen
6	38059	14	Terminal	36	19223	1	Switch, Ignition
7	20916	1	Switch, Interlock	37	46075	1	Harness, Wiring
8	107354	1	Nut, Stamped 9/16-18	38	39871	1	Cable, Negative Battery
9	42176	1	Connector, 2-Wire Switch	39	38256	1	Hourmeter
10	45488	1	Key, Ignition Switch	40	120393	4	Washer, Flat .344x.688x.065
11	45490	1	Boot, 9/16 Switch	41	180079	2	Bolt, Hex 5/16-18x1.00
12	45489	1	Nut, Jam 9/16-24	42	41788	1	Clamp, Nylon
13	19667	1	Washer, Lock 9/16 Int. Tooth	43	419455	2	Nut, Lock 5/16-18
14	159947	2	Screw, Machine 10-24x.75 PHD	44	10629	4	Tie, Cable
15	46082	1	Bracket, PTO Switch	45	46232	1	Harness, Wiring Ground and Light
16	46219	1	Switch, Interlock	46	35313	1	Clamp, Nylon
17	190254	2	Nut, Lock 10-24	47	39069	2	Headlight
18	27122	1	Clamp	48	42597	1	Battery, 12 Volt
19	456004	1	Nut, Lock 3/8-16	49	40215	1	Module, Time Delay
20	11676	4	Nut, Speed 1/4-20	50	40216	1	Relay
21	180020	4	Bolt, Hex 1/4-20x.75	51	120392	4	Washer, Flat .281x.625x.065
22	45071	1	Switch, Magnetic	52	34466	1	Cover, Battery Terminal
23	45922	2	Terminal, 14-16 Gauge	53	46177	1	Cable, Starter
24	45920	1	Connector	54	419454	2	Nut, Lock 1/4-20
25	45037	1	Fuse, 25 Amp	55	37742	2	Clamp
26	45921	1	Cover	56	126344	2	Bolt, 1/4-20x2.00 Rd Hd Sq Nk
27	21848	1	Gauge, Ammeter	NS	33847	3	Boot, Battery Cable
28	159341	2	Screw, Machine 6-32x.625 PHD				
29	18183	2	Bumper				
30	38186	1	Knob, Light Switch				

NOTE: See the Operator's Manual for Wiring Diagram.