

POWER

VS DRUDGERY

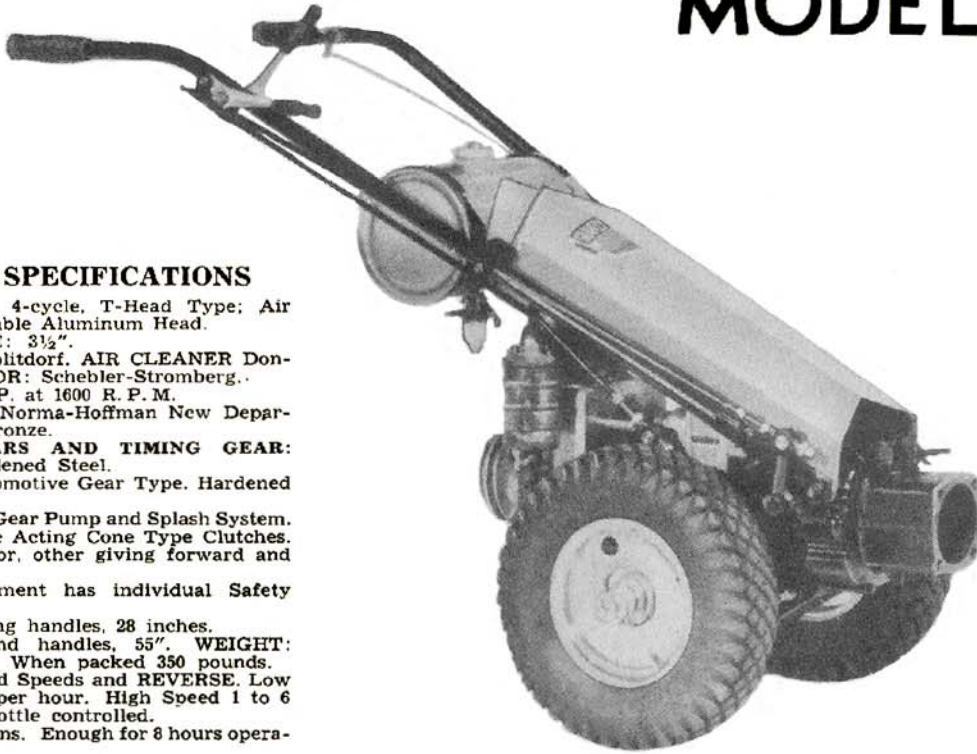


www.oldgravelys.net

SHOWING THE ADVANTAGES OF
GRAVELY POWER EQUIPMENT
OVER
HAND AND HORSE METHODS
IN SOIL TILLAGE AND GENERAL LAWN UPKEEP

POWER VS.

MODEL L



L. TRACTOR SPECIFICATIONS

MOTOR: Own Make; 4-cycle, T-Head Type; Air Cooled; with Removable Aluminum Head.
BORE: 3¼". **STROKE:** 3½".
MAGNETO: Edison-Splitdorf. **AIR CLEANER** Donaldson. **CARBURETOR:** Schebler-Stromberg.
HORSEPOWER: 5 H. P. at 1600 R. P. M.
BEARINGS: Timken, Norma-Hoffman New Departure and Phospho-Bronze.
TRANSMISSION GEARS AND TIMING GEAR: Alloy Iron and Hardened Steel.
DIFFERENTIAL: Automotive Gear Type. Hardened Steel Cut Pinions.
OILING: Dry Stump Gear Pump and Splash System.
CLUTCH: Two Double Acting Cone Type Clutches. One as Speed Selector, other giving forward and reverse motion.
Each Power Attachment has individual Safety Slip Clutch.
HEIGHT: Not including handles, 28 inches.
LENGTH: Tractor and handles, 55". **WEIGHT:** Tractor, 275 pounds. When packed 350 pounds.
SPEEDS: Two Forward Speeds and REVERSE. Low speed ¼ to 3 miles per hour. High Speed 1 to 6 miles per hour. Throttle controlled.
GAS: Capacity 2 gallons. Enough for 8 hours operation.
OIL: Capacity 5 pints.
Reduced Geared Wheels Give One-Third Above Speeds

HOW MUCH of your garden and upkeep work are you still doing by hand or horse? . . . how much needless labor and worry are you taking on yourself simply because you are not using modern power equipment? The right power and methods mean more than just a saving in energy. They mean, and statistics prove, that you can save in time and money as well—that you can increase your own efficiency and that of your land while at the same time reducing upkeep costs.

But to do all this the power tools you will use must be designed for the job they are to do. They must be built correctly, and they must be backed by a reliable service organization.

YOU GET ALL THIS IN A GRAVELLY

In the pages to follow you will be shown how with one GRAVELLY Tractor you can solve your every upkeep problem. For with these tractors you can use attachments for:

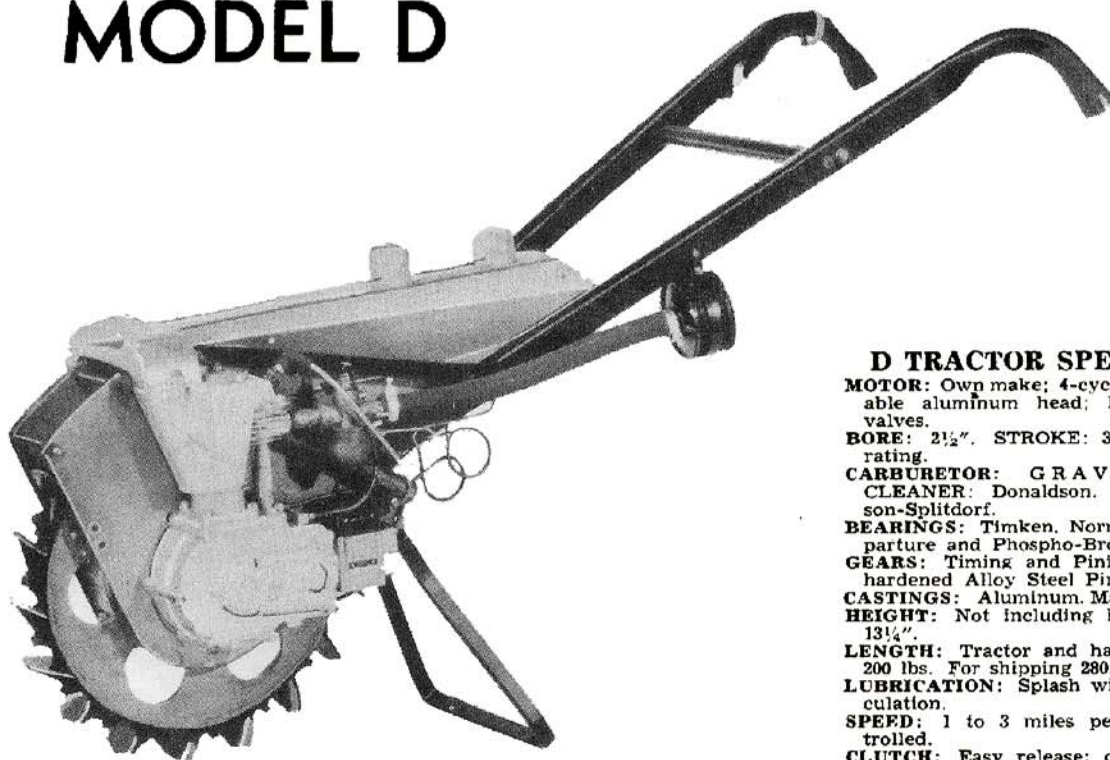
1. Preparing the soil for seeding or planting.
2. Furrowing and planting garden crops.
3. Cultivating.
4. Mowing hay or rough fields.
5. Making and keeping a beautiful lawn.
6. Spraying fruit and vegetables, shrubbery, shade trees and garden crops.
7. Odd jobs of hauling, or supplying power for belt work.
8. Keeping lawns and driveways free of snow, dirt and leaves.

The GRAVELLY Tractors are made in two different models, the L and the D. Though outwardly there may appear to be some major differences between these two machines, they are used for much the same purposes.

**POWER METHODS MEAN
ECONOMY AND EFFICIENCY**

DRUDGERY

MODEL D



D TRACTOR SPECIFICATIONS

MOTOR: Own make; 4-cycle; air-cooled; removable aluminum head; L TYPE; mechanical valves.
BORE: 2½". **STROKE:** 3". 2 H. P., S. A. E. rating.
CARBURETOR: GRAVELY Special. **AIR CLEANER:** Donaldson. **MAGNETO:** Edison-Splitdorf.
BEARINGS: Timken, Norma-Hoffman, New Departure and Phospho-Bronze.
GEARS: Timing and Pinion, Nickel-Iron with hardened Alloy Steel Pinion.
CASTINGS: Aluminum, Malleable and Gray Iron.
HEIGHT: Not including handles 35". **WIDTH:** 13¼".
LENGTH: Tractor and handles, 62". **WEIGHT:** 200 lbs. For shipping 280.
LUBRICATION: Splash with plunger pump circulation.
SPEED: 1 to 3 miles per hour; throttle-controlled.
CLUTCH: Easy release; cone type.
OIL: Tank Capacity, ¾ gallon. **GAS:** 1 gallon.
GAS CONSUMPTION: 4 to 6 hours per gallon.

"L"—MOST VERSATILE SMALL TRACTOR ON EARTH

The Model L GRAVELY has been called the "most versatile small tractor on earth," and actually, 17 different attachments may be used with this same machine. Its sturdy 5 H. P. motor has plenty of power to do every job, and in addition there are such important features as an automotive type differential . . . 2 forward and reverse speeds . . . a worm gear drive running in oil . . . one spot lubrication for both tractor and motor . . . an oil bath air cleaner and many others.

Cities, schools and cemeteries have long thought the Model L the most efficient of power mowers, while truck gardeners, nurserymen, and estate-owners use it for both gardening and mowing purposes. Perhaps the most important reason for its popularity, besides its versatility, is the very practical and positive method for attaching the power tools and transmitting the power to them: just four bolts are used to attach them; a splined steel shaft makes the direct connection between the motor drive and the Safety Slip Clutch on each attachment.

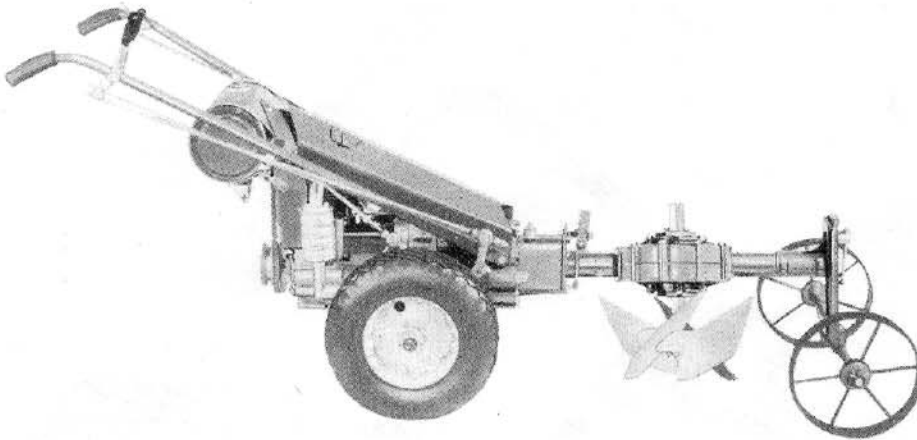
"D"—MOST FLEXIBLE GARDEN TRACTOR BUILT

The biggest appeal of the Model D GRAVELY is to the commercial grower and to those who have especially steep places to mow. For 19 years this machine has been recognized by leading flower growers throughout the country as the best of narrow row cultivators. Perhaps its biggest asset, and one which is exclusive with GRAVELY, is the narrow, compact design which will permit the use of a FRONT TOOL HITCH. Then, too, the single wheel makes for the utmost in traction, and the weight is balanced on this pivotal point to insure easy guiding and turning. Having the tools in front will enable you to do the closest, most accurate work, and since the single wheel is but 3¼" wide, you can cultivate in rows as narrow as 10" without damaging a single plant.

**YOU SAVE BOTH MONEY AND
TIME BY USING A GRAVELY**

PREPARING

MODEL L



The Model L GRAVELY with its Power-Driven Rotary Plow prepares the soil on an entirely different principle from the traditional turn plowing and harrowing. YOU DON'T DEPEND ON TRACTION TO OPERATE THIS PLOW. The Plow Tool itself is powered by the sturdy 5 H. P. motor. You need no more traction to operate this plow than you do in mowing.

NOT ONLY TURNS BUT PULVERIZES THE SOIL IN ONE OPERATION

"The GRAVELY Tractor is all the makers claim for it. I have used one for eight seasons and find it "everready." It beats horses in forty ways."—J. H. Rohrbach, Frazier, Penna.

With the Rotary Plow you will not have to disc or harrow your ground. This Power Tool will pulverize the ground as it plows, making a finer seed bed in one operation than is possible in two or three with the ordinary methods. Weeds and trash will be cut up too and mixed with the soil.

In hard soil you can plow as deep as 7 inches with the Rotary Plow. In soft soil it will go 12 inches deep. It will cut a swath as wide as 10 inches, this too depending upon soil conditions.

The Rotary Plow is geared to the Tractor motor at the ratio of one to 8. There are four blades to the plow and you thus cut into the soil 800 times a minute at the normal working speed of your motor, 1600 RPM. The plow is set at an angle to eliminate side drag and to allow all the dirt to fly to the right. You begin in the center of the area to be plowed, keep bearing to the right at the end of every furrow, placing your right wheels in the furrow just made. As much as an acre a day can thus be plowed.

For those who prefer it, a conventional 6½" or 8" Turn Plow with Rear Hitch is available for the Model L. All the other attachments such as the 18-Tooth Harrow, the Seeder and the Fertilizer Distributor may be used on either tractor.



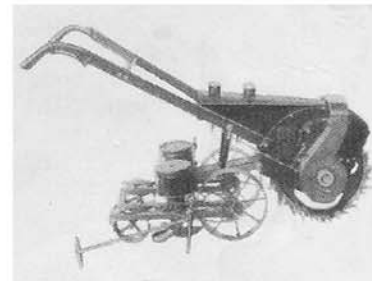
"The GRAVELY is doing work for me that would take a gang of men to equal."—H. W. Bentley, Putney, Vt.

FERTILIZER DISTRIBUTOR

With this distributor you can spread the fertilizer evenly through the six adjustable spouts, spreading over a width of from 4" to 30". The quantity may be quickly regulated from 200 to 2000 pounds per acre. Capacity of the Hopper is 50 pounds.

A good combination to use is the Fertilizer Distributor with the Cultivating Unit in the rear. You could thus cultivate the fertilizer into the soil as it was spread. If your plants are growing, the feeder roots in the center of the row would be sure of getting their proper share of food.

This Fertilizer Distributor will fit either Model Tractor and is priced complete with hitch ready for attaching.



EVERY ATTACHMENT SHOWN
CAN BE USED ON EITHER MODEL

THE SOIL

MODEL D

The motor of the Model D GRAVELY has slightly above 2 H. P. In pulling contests this machine has often been hitched to a conventional type garden tractor, each pulling against the other, and invariably the Model D GRAVELY would outpull even a 4 H. P. machine. **THE SINGLE WHEEL DESIGN GIVES MORE THAN TWICE THE TRACTION OF A TWO WHEEL TYPE. TRACTION IS EQUIVALENT TO POWER.**

But we don't subscribe to the theory that it is practical to pull a Turn Plow through heavy soil with a small tractor. We believe you are misled when told that you can expect such work from a machine of this class. To plow requires weight and power and if a machine has these it is generally so heavy, clumsy and inflexible that it is not practical for cultivating. **YOU TURN THE SOIL ONCE, BUT YOU CULTIVATE MANY TIMES.**

A 6½" Turn Plow as shown can be used on the Model D for light turning. This is practical as the design does make for the ultimate in traction. For the crankshaft of the Model D runs directly through the hub of the single wheel throwing the entire weight on that pivotal point where it is needed. And you have a machine which is still practical for cultivating after this turning is done.

SEEDER

Any number of seeders from one to four may be used with the GRAVELY Tractors. The bar hitch upon which they are fastened is four feet in length, and holes an inch apart are notched overall so that the seeders may be used any distance apart desired.

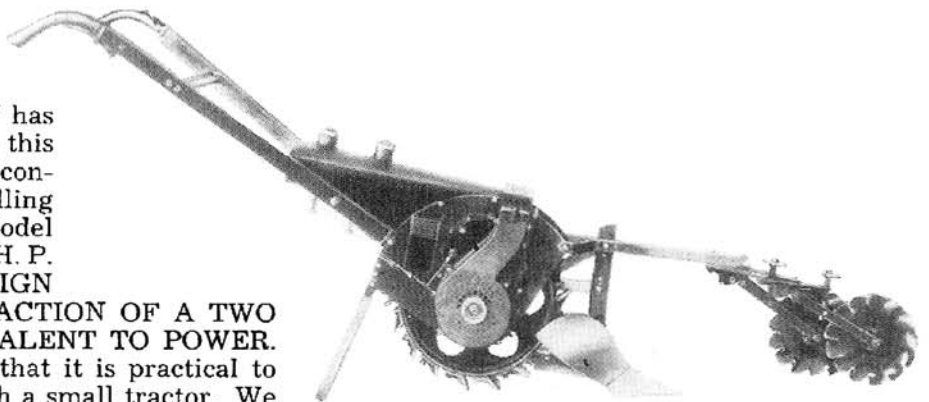
Each seeder will handle the smallest vegetable seed as well as seeds as large as bush lima beans and plant them all evenly and accurately. The sowing is done through holes in a plate, and when planting two or more rows at a time, the same size opening may be used in each seeder to make sure that all will be uniform. A marker is standard equipment with this seeder.

PEG TYPE HARROW

This 18-Tooth Peg Type Harrow is 48" wide and 20" long. The teeth are set in three rows, 6 to a row, in such a manner that one strikes the ground every inch. Pitch of the teeth is regulated by a ratchet handle, very simple and positive.

If a Turn Plow is used, either the harrow shown below or the discs shown on page 7 should be used, to get the soil in the proper condition for planting. Either will break up the ground as finely as you wish. The GRAVELY has ample power so that a heavy weight may be placed on either of these attachments when necessary to make a better job.

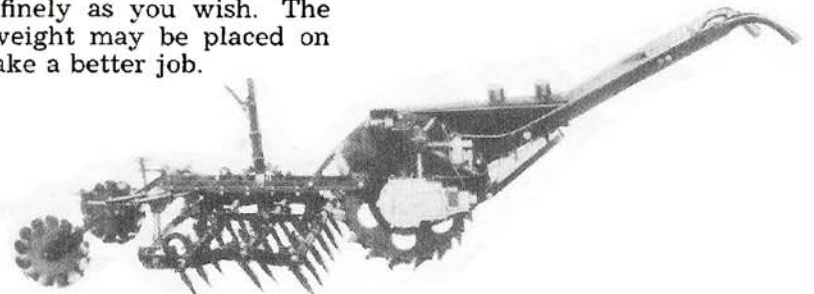
"I want to say that the GRAVELY tractor and attachments proved most satisfactory and I am delighted to own same."—Mrs. Singleton Paull, Wheeling, West Va.



"After putting my GRAVELY to every test, ploughing, cultivating, furrowing, etc., I must say that I think its performance is wonderful and I am perfectly satisfied."



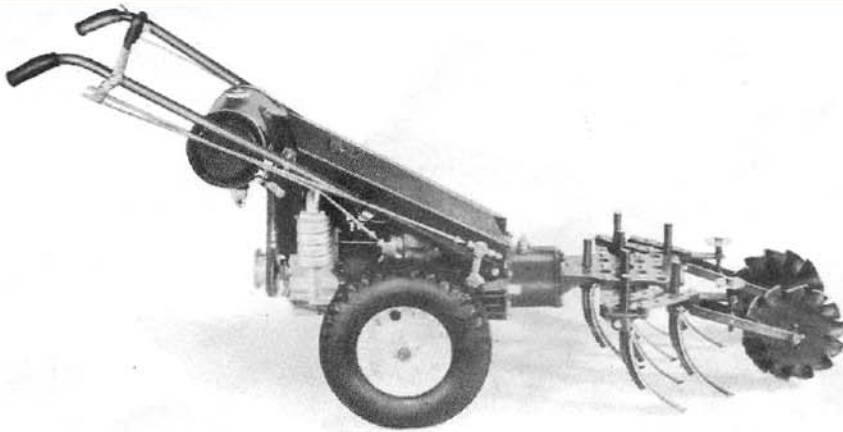
"My GRAVELY Tractor is still in perfect condition after five years of all different kinds of hard work. It has never failed yet."—Paul Kranz, Inwood, Long Island, N. Y.



**THE TOOLS ARE ALWAYS IN SIGHT
INSURING EASY AND ACCURATE WORK**

FURROWING AN

MODEL L

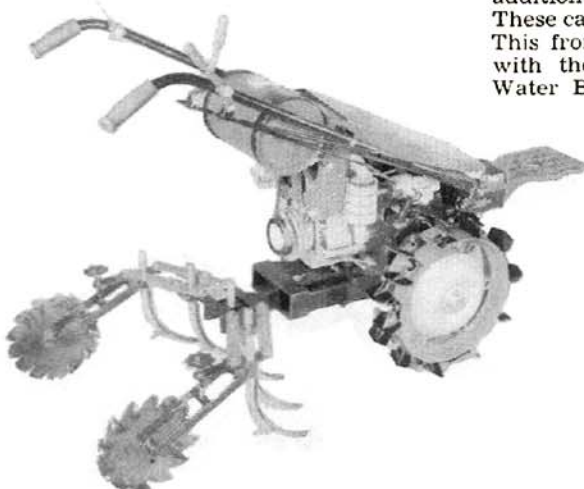


Most popular set-up for cultivation as done with GRAVELY Tractors is a set of steels as shown in the pictures at the top of these pages. These Cultivating Steels are available in any size from 1¼" to 3". The 1¼" steels are most widely used. To use these narrower steels in larger quantities is recommended as the soil will be left in better condition, and there will be less danger of damaging the roots. Seven steels are recommended for use on the L Holder, while five seem to work best on the D Model.

"When will it be time for me to look for trouble in my machine? It has gone through five seasons in good, tough ground and shows no signs of wear."—Jos. D. Campbell, Erie, Pa.



"Have been using your Tractor and Cultivator. It is just the machine to get close to the paths on my estate, and I recommend it to any one who wishes one for close work."—H. J. Mohr, Hayward, Cal.



The D Model Tool Holder consists of a flexible steel frame complete with Depth Adjusting Wheels, bolts and braces for attaching to either the front or the rear of the Tractor, and all the steel shanks and holders for attaching the small tools. The same is true of the Model L Tool Holder except that the casting as shown below forms the center piece to which the Depth Adjusting Wheels, etc., are fastened. (This casting may be ordered separately and must be used in front of the machine with any rear attachment.)



Either holder is widened or narrowed instantly by loosening a few bolts and pushing the parallel bars in and out like an accordion. The standard holder can be narrowed to 8" or widened to 30". Additional parts can be added for any extreme width needed.

On either Tractor the Cultivating Unit may be used in the front or the rear. If this is done with the Model L, you will have the advantage of erasing the tire marks. You will use the same Tool Holder, but must have a Rear Hitch Casting and a Draw Bar in addition to the Front Casting. These can be ordered separately. This front casting must be used with the Turn Plow and the Water Ballast Roller.

ALL TOOLS ARE USED



1

2

3

EASILY AND QUI

Shown above are five other of the more popular tool arrangements for use on GRAVELY Tractors. Set-up No. 1 shows the Model L Rear Tool Holder with a 12" Furrower attached. This same Furrower may be obtained in any size from 10" to 20". On the Model D better results will be gotten if it is used in front. A 7" shovel steel is available for making smaller openings. All tools are attached to the same steel shanks.

In set-up No. 2 a 12" Improved Sweep is used in the center and a right and left 6" GRAVELY Hoe on either side. The sweep may be had in any size from 8" to 18", or according to the width of your row. It will skin the row center of weeds and trash, and the Hoes can be placed to come so close to the plants that little hand work will be necessary. It is practical to use a center sweep and two more sweeps on either side for the extremely wide rows.

Set-up No. 3 shows the Cultivator Teeth, 1395 as used for light 3-row cultivating. The set-up as shown here will take care of 15" rows, and if the rows are wider, additional sets of parallel bars may be ordered. If

CHOOSE THE TRACTOR ACCORDING TO YOUR NEEDS — THEN ADD

D CULTIVATING

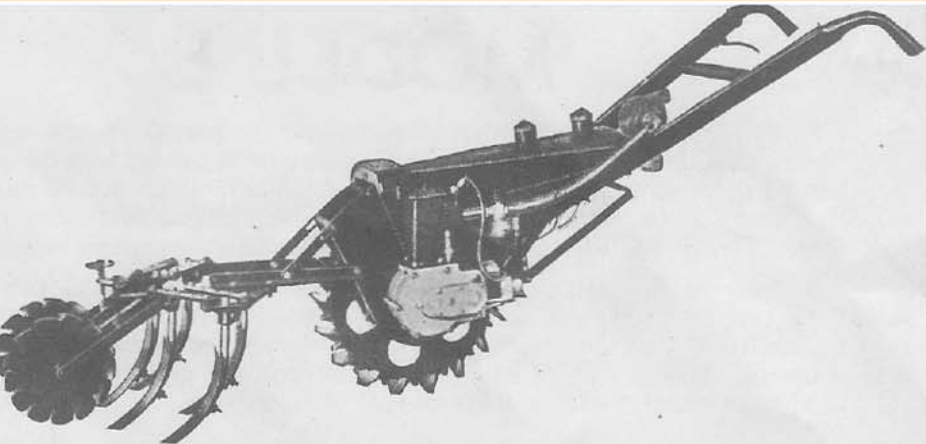
MODEL D

The very first GRAVELY ever made was similar in design to the Model D machine. Naturally there have been many improvements, but the success of these first machines, their continued and present popularity, is proof that they have SOLVED definite problems.

"When it comes time to cultivate, the GRAVELY is the best yet—it runs true in the row," writes a famous flower grower in Secaucus, N. J. His opinion is

shared by literally thousands of others.

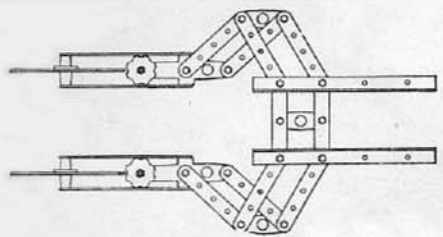
The single wheel of the Model D is but $3\frac{1}{4}$ " wide, with the crankshaft running directly through the hub of this wheel. The weight is thus centered at one spot to get the most traction. It means too that you can safely work in a 10" row. It makes all the more important the exclusive arrangement of using the tools in front. You can see them every minute, and you can watch what you are doing. Easy guiding and turning is assured, and the work you do is accurate. The tools go first, the Tractor follows. In laying off rows, the furrower in front throws out the dirt, and the single wheel has a solid path in which to move. You can go up or down this same furrow many times without changing your set-up.



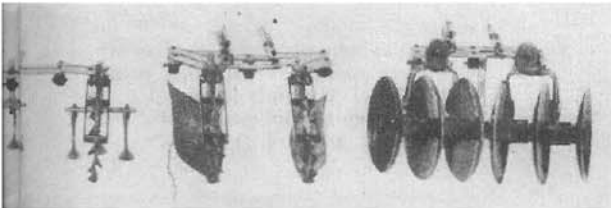
"We use our GRAVELY many, many hours each season under all kinds of conditions, including cultivating nursery stock on steep mountain land, and some rocky. We have never lost 10 minute's time from failure of the Tractor to start and run perfectly."



"I grew 2800 bu. of onions on 5 acres in 1935. The GRAVELY did all the cultivating, covered the entire five acres in nine hours."—E. C. Clement, Fairton, N. J.



IN THE SAME HOLDER



4

5

For those who want to cultivate narrow as well as wide row crops, where protection of the plants is important, there is no Tractor more popular, or more widely used, than the Model D GRAVELY.

For turning at the end of rows, for missing obstacles, or for raising the tools in the hard spots, lightly press down on the handles (see picture below) to raise the attachment in front. With the weight on a pivotal point, you literally turn in your tracks. You have instant control of the tools whether for depth or for nearness to plants.

QUICKLY CHANGED

will do a very good job of leveling down a small piece of ground and is preferred by many users to the Hoes, especially when the ground is hard and dry. The teeth fasten to an Auxiliary Tool Plate which must be ordered with this attachment.

Set-up No. 4 illustrates the 6" Hillers which come in rights and lefts. They can be used for closing rows as well as for hilling, throwing dirt around the plants as well as taking it away. When used for covering bulbs with the Model D, allow the wheel to come down the center of the row so that each hiller will cover half of the row on either side, the equivalent of a full row at one time. It is possible to put a Furrower in the center allowing this to bring the dirt out from the center and the hillers to heap it up about the plants.

The Discs, seen in set-up No. 5, are shown as they would be attached to either Tool Holder. Notice that the Depth Adjusting Wheels are removed and the Discs attached with the same screws. They can be had in two sizes, both 11" in diameter, but one with three blades to the Disc, the other with four. A heavy weight on the Holder is available if the ground is newly turned, but for cultivating this will not be necessary.

THE ATTACHMENTS NECESSARY TO DO ALL THE JOBS YOU HAVE

MOWING THE FIELDS

MODEL L

Height of the grass cannot interfere with the work the GRAVELY Sickle Mower will do. It can be taken out in brush as high as your head and as thick as three-quarters of an inch. There is plenty of power to do this heavy work. The Tractor and Sickle are built so that it won't damage them. The Slip Clutch protects the knives and gears when so used.

Success of this attachment may in part be attributed to the fact that there is a direct drive from the motor to the cutting unit. All the power is transmitted through machine-cut steel gears connected with a spline coupling. This is true of every power attachment and all that is necessary to change attachments is the removal of four bolts.

A POWER REVERSE

Notice that the cutting unit is completely in front of the machine. Overhanging branches will no longer be an obstacle. This mower can be taken into hedge-corners, under trees and shrubbery, and then it will back out under its own power.

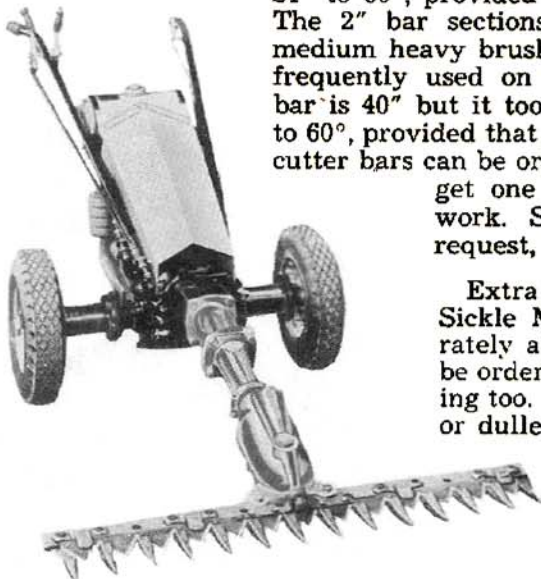
No other mower will work on hillsides like the GRAVELY. The patented swivel action of the mower column will allow the cutter bar to conform to the contour of the ground. And if your banks are especially steep, you can get the Model L GRAVELY with the extended 35" axle which will literally go anywhere that a man can walk. A machine so equipped will work on a 60° angle.

DON'T BE HANDICAPPED BY A LACK OF POWER

We must repeat that the L GRAVELY has a 5 H. P., 4-cycle motor built in the GRAVELY factory and especially designed for the GRAVELY Tractors. There is plenty of power to go anywhere and to do anything.

The Cutter Bars on the GRAVELY Sickle Mower are available in two different size sections, and in any width practical. The 3" sections and guards are recommended for the heavier cutting, brush, etc., and the standard width of the 3" bar is 42", but it may be had in any width from 24" to 60", provided that this width is a multiple of 6". The 2" bar sections are better for cutting grass and medium heavy brush. It will cut as low as 1½", and is frequently used on lawns. Standard length of the 2" bar is 40" but it too can be had in any width from 24" to 60", provided that this width is a multiple of 4". These cutter bars can be ordered separately and it is possible to get one of each for the different kinds of work. Skids and runners are furnished on request, these making the bars cut higher.

Extra knives can be furnished for the Sickle Mower. These can be ordered separately at small cost. Knife sections can also be ordered from us with the rivets for attaching too. It is a simple matter to replace worn or dulled sections.



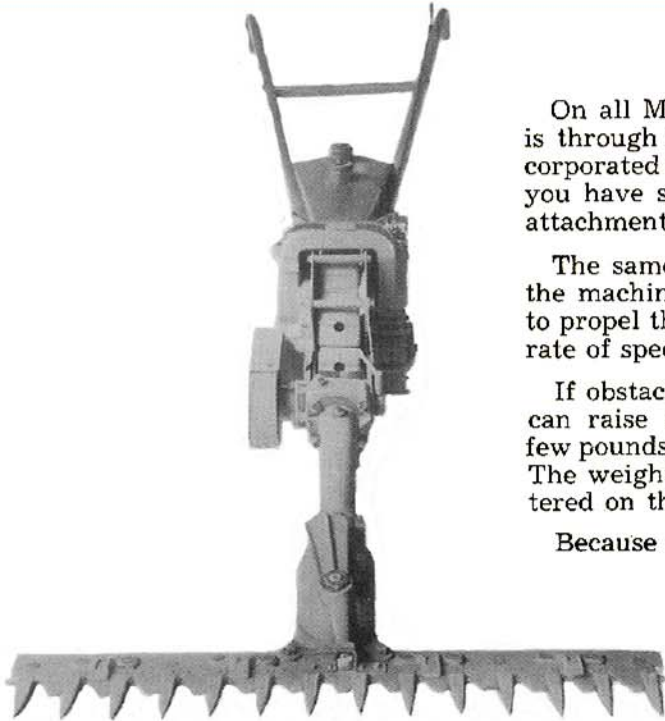
"We like our mower better every day, and could not get along without it now. It surely does all it is represented to do and more."—T. L. Cornell, Black Lick, O.



**THE ORIGINAL MOWER OF ITS TYPE
PATENTED FEATURES PROTECT**

THE ROUGH PLACES

MODEL D



On all Model D Power Attachments the power take-off from the motor is through hardened sprockets and roller chain with an idling clutch incorporated in the sprocket. Thus on both the Model L and the Model D you have separate clutches to control the motion of the Tractor and the attachments.

The same motor drives the Tractor and the cutting unit. You can take the machine anywhere under its own power. The motor is amply strong to propel the Tractor and at the same time to run the knives at a sufficient rate of speed to cut every blade of grass, regardless of the height.

If obstacles are in your path you can raise this mower with but a few pounds pressure on the handles. The weight of each Tractor is centered on the traction wheels.

Because of its design the Model D can do things and go places where it would be impossible to use any other machine. Its single

wheel principle is sometimes compared to that of a wheelbarrow or bicycle. Once you are accustomed to the balance of a bicycle, it is a pleasure to operate it. The same is true of the Model D GRAVELY. Under usual conditions of mowing it is no more difficult to handle than any other type. When you use it for work that is impossible for the other types, it does require more effort. But it pays for this by doing what would otherwise have to be done by hand.

Because of the patented swivel action of the Sickie Mower and the single wheel drive of the Tractor, an operator can cut a hill so steep that he can scarcely walk around it without support.

"On the GRAVELY purchased from you will say that I like it very much. It is so much handier than the one I owned previously."—Virgil Burgeon, R. R. No. 3, Springfield, Ohio.

SM SICKIE MOWER SPECIFICATIONS

SICKIE BAR: This consists of a conventional Sickie Bar with an oscillating mechanism. The Drive Head is located on the cutter bar for balance; has swivel action, allowing bar to conform to the contour of the ground independent of the tractor.

GEARS: All gears enclosed in dirt-proof housings with Timken Roller Bearings and running in oil.

CASTINGS: All vital parts of the oscillating mechanism are made from chrome alloy steel with certified, malleable castings.

CUTTER BAR: The 42" Cutter Bar will cut from a 36" to a 39" swath and average from 3 to 4 acres a day in the roughest sort of cutting. It may be had in different lengths.

WEIGHT: 100 pounds. When packed, 150 pounds.

OVERALL DIMENSIONS: 42" by 42".

Weight is slightly less when used on the Model L.

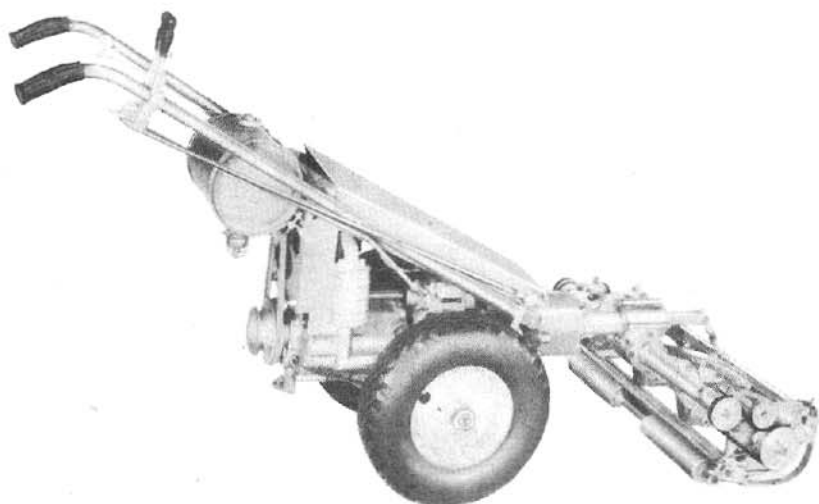
"I will say that I have used this machine for cutting everything from grass to hazelbrush, and I believe that it will do everything that you claim for it."—E. H. Thornberry, Peoria, Ill.



USED ON SMALL POWER EQUIPMENT
THE GRAVELY FROM IMITATORS

LAWN MOWING—

MODEL L



In the GRAVELLY you get two superlative mowers for the price of one. For it is possible by removing only four bolts to convert the very machine that you will have used for plowing, cultivating and rough mowing into a 30" Rotary Reel Mower which has won the unanimous acclaim of parks, cemeteries, and estates throughout the country.

No other power mower on the market today offers so many invaluable features as does the GRAVELLY:

DIRECT DRIVE . . . There is not a single chain on either the mower or the Tractor. All the power is transmitted through

machine-cut, steel gears running continuously in a bath of oil. **YOUR MOWER DOES NOT DEPEND UPON TRACTION TO ROTATE.**

ABSENCE OF CASTER WHEELS . . . It is impossible to scalp or streak your lawns when using a GRAVELLY because there are no caster wheels to mash down the uncut grass. You can mow to the very edge of sidewalks and buildings.

A POWER REVERSE . . . With the GRAVELLY you can mow into the corners of buildings and hedges, and then the machine will back out under its own power.

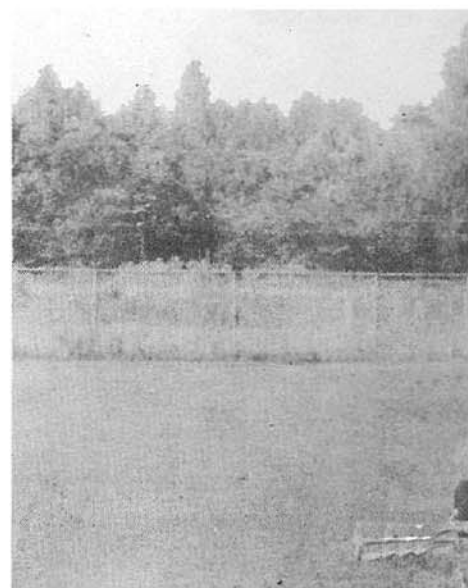
RUNNERS . . . Runners on either side of the mowing unit make it impossible to scalp when you run into gulleys or over bumps.

ONE SPOT CUTTING HEIGHT REGULATION . . . The Cutting height is regulated in a single spot and with but a single nut.

SAFETY SLIP CLUTCH AND ADJUSTABLE FLOATING TYPE BEARINGS . . . Small sticks and stones will be thrown free of the mowing blades because the adjustable floating bearings will allow the unit to give under pressure. If some large substance is picked up, the Safety Slip Clutch incorporated individually in every GRAVELLY Power Attachment will throw the complete unit out of gear and thus protect your motor.

POWER TO SPARE . . . Don't forget that in the GRAVELLY you will have a 5 H.P., 4-cycle motor—more than twice the power of the average power mower on the market today.

"We have, I believe, used at least one of almost every make mower on the market, and from our experience we believe the GRAVELLY Mower is more suited to our needs than any we have yet owned. With the GRAVELLY Mower we are never afraid of the grass getting out of hand for your reel will cut the highest grass of any that we have ever used."—J. E. Finnegan (Supervisor of Lawns, West Virginia State Capitol), Charleston, W. Va.



10 THE GRAVELLY HAS GIVEN A NEW CONCEPTION TO MOWING EQUIPMENT

THE GRAVELY WAY

MODEL D

Many commercial growers whose needs are best met with the Model D GRAVELY equip their machines with the mowing attachments as well. For they recognize the distinct advantages of having one machine to do all their work.

The Model D with the 30" Rotary Reel Mower will also appeal to those who have especially steep places to mow. For with this machine it makes no difference how steep the banks are, the Tractor will always remain in an upright, balanced position while the mowing unit conforms to the contour of the ground. Patented, exclusive GRAVELY swivel action on the mower column makes this possible.

The wheel of the Model D GRAVELY comes equipped with 18 malleable iron cleats. These give the utmost in traction for using the garden tools and sickle mowers. For lawn work you can remove these cleats and in their stead put on six cast iron lugs to form a solid band. These are corrugated to give traction, yet will not damage the lawn.

THE GANG MOWERS

With the Model L Tractor, because of its increased power, it is possible to add to the 30" Rotary Reel Mower two Power-Driven 25" Gang Units to give a 75" cut. These units can be added or taken away in less than a minute's time.

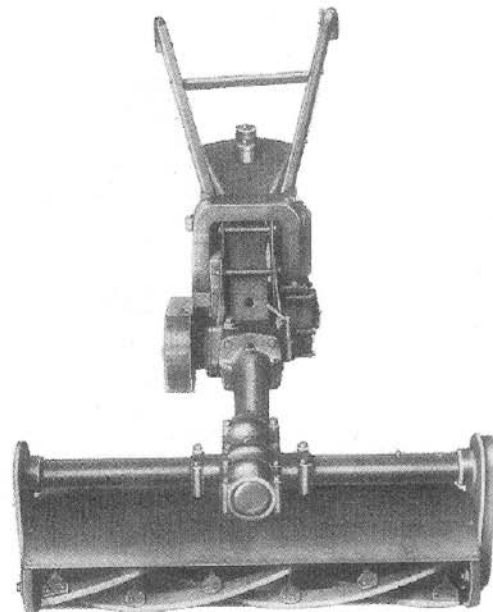
Each unit of the Gang Mowers is power-driven; each unit operates on an independent swivel thus removing the difficulty of mowing uneven lawns or steep banks and slopes.

There is not a single chain on the entire Gang Mower, nor are there any caster wheels. The cutting height of each unit is regulated separately, but in a single spot. It will take but a moment to adjust them evenly at the desired height.

Instrumental in the GRAVELY'S success with the Gang Mower is the power reverse with which the Tractor is equipped. All handling difficulty is completely eliminated.

PRICE OF PARTS

You are invited to compare our price of parts with those charges by any other company making similar equipment.



"The GRAVELY makes possible for me the difference between just a house in the country with perhaps only a small garden and lawn and a well-kept ten acres with an expanse of lawn and all other areas in good order."

Gang Mower Specifications

DIMENSIONS: 24" long; 76" wide. The center unit has a cutting width of 30"; each side unit a cutting width of 25", these overlapping the center unit 2½" each.

GEARS: All gears are of machine-cut, steel and enclosed. Each unit is powered direct from the motor, with a V-type belt transmitting the power from the power shaft to the cutting reel of each.

CASTINGS: Malleable castings are used in all vital parts with grey iron being used elsewhere.

BEARINGS: Timken Roller and Ball Bearings throughout.



YOU CAN BOTH MAKE AND KEEP YOUR LAWN RIGHT WITH A GRAVELY

SPRAYING, ROLLING, S

THE WATER-BALLAST ROLLER

The Water-Ballast Roller is 48" wide, and when filled with water will weigh 750 pounds. The drum has a diameter of 18" and is $\frac{3}{16}$ of an inch thick.

Uses of the Roller are numerous. No more expensive than a good hand roller, this attachment is one of the more popular with GRAVELY owners.

THE POWER SPRAYER

The spraying attachment is manufactured by the John Bean Company especially for GRAVELY Tractors. When not used with an insecticide it may be put to work watering lawns, washing cars, whitewashing, disinfecting and cleaning stables, kennels and sheds, applying fertilizers, etc.

The sprayer tank holds fifty gallons. Its capacity is $3\frac{1}{2}$ gallons a minute at 300 pounds pressure, which pressure is obtainable at the normal speed of 100 RPM. The pump has two cylinders of $1\frac{3}{4}$ " bore and $1\frac{3}{4}$ " stroke, standard Bean supertype, porcelain cylinders and molded, self-expanding, rubber and fabric plunger cups, the best combination of spraying materials known today. The plungers themselves are guided so that they will always stay in line. The pump is equipped with ball valves in threadless cages.

Drive from the Tractor to the pump is steel roller chain and sprockets. The pressure is controlled by an enclosed, spring-type relief valve. A pressure gauge registering 400 pounds is standard equipment.



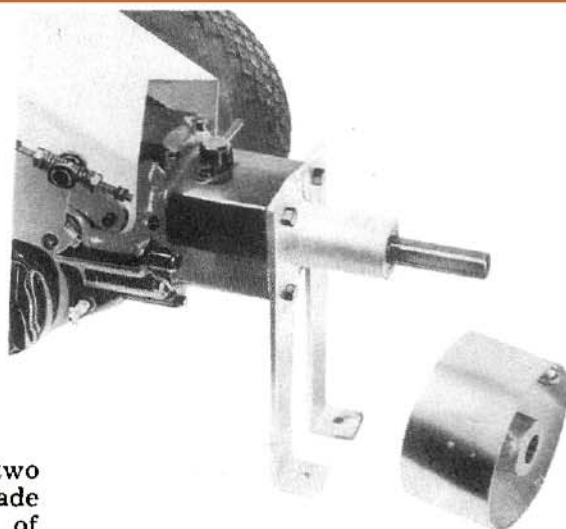
**L GRAVELY MOST VERSATILE
SMALL TRACTOR ON EARTH**

NOW AND BELT WORK

THE POWER TAKE-OFF

The Power Take-Off Attachment may be used for any kind of belt work such as sawing, separating, grinding, etc. Any standard make pulley from 4" to 20" in diameter may be used on the 1 3/16" hexagonal shaft.

This attachment may be bolted to the floor and left there, and the Tractor run up to it when the power is desired.



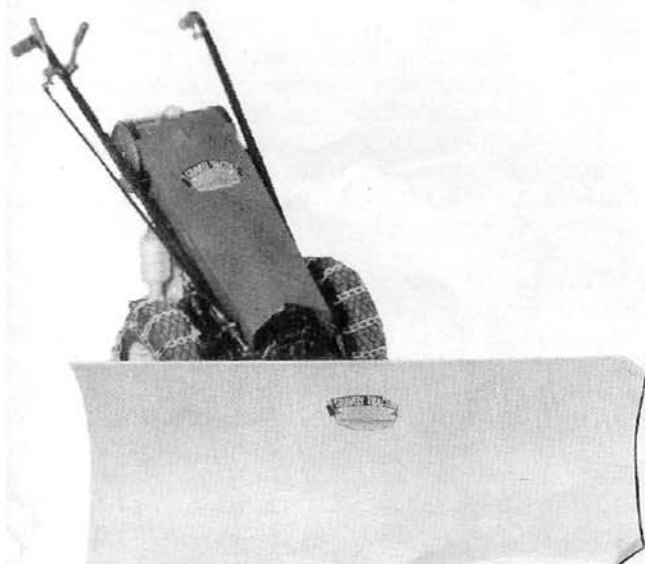
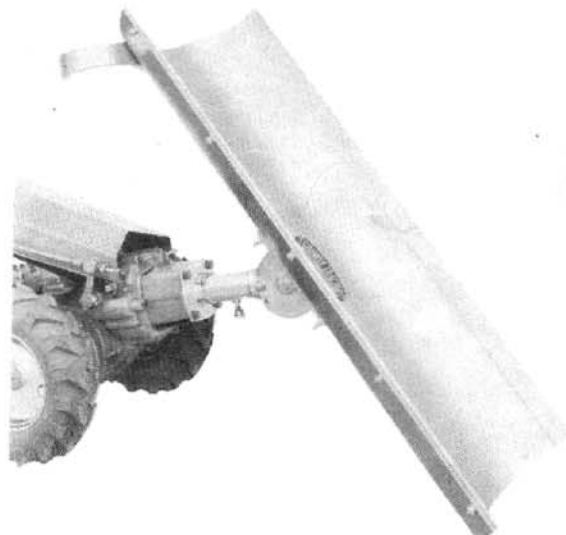
THE GRAVELY SNOW PLOWS AND THE POWER BRUSH

The GRAVELY Company are the makers of two types of Snow Plow, the Blade Type and the Reversible Blade Type. Both plows are two feet high and will handle 14" of snow with ease.

The V-Type Plow is the quickest and most effective tool for the cleaning of sidewalks. It is easily adjustable as to width and will clean a path of 40" to 54" wide.

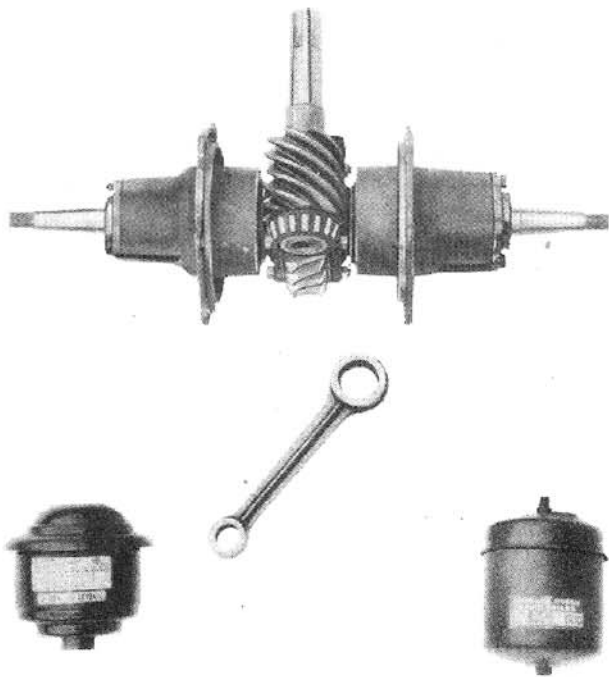
The Blade Type Plow is 48" wide and will clean any standard width driveway in but two quick sweeps. It is completely reversible as to angle without changing a single bolt, and it may be set straight should you wish to "bulldoze." Cutting edges on both sides of the plow are renewable.

The Power-Driven Brush may be used for sweeping lawns and for any sort of general cleaning as well as for removing snow. It is 42" wide and has a diameter of 15". The bristles can be had in either a fine or coarse fiber. The fine bristle is the better for the sweeping of lawns or walks, while the coarse is better for snow removal, especially after it has been frozen.



THE FINAL PERFECT SOLUTION
TO YOUR EVERY UPKEEP PROBLEM

QUALITY MATERIAL,



Illustrated on this page are some of the distinctive features of the GRAVELY Tractors which have led users everywhere to express their profound appreciation of the practical, sturdy design which is theirs. Notice the steel-gearred, automotive-type differential, a miniature of that which you will find in the finest car. See also the drop forged steel connecting rod (our own make)

There is an oil bath air cleaner and an oil filter to clean and strain the oil. These and other parts, such as the carburetor and the magneto, are standard, nationally known equipment and can be serviced and regulated in every garage.



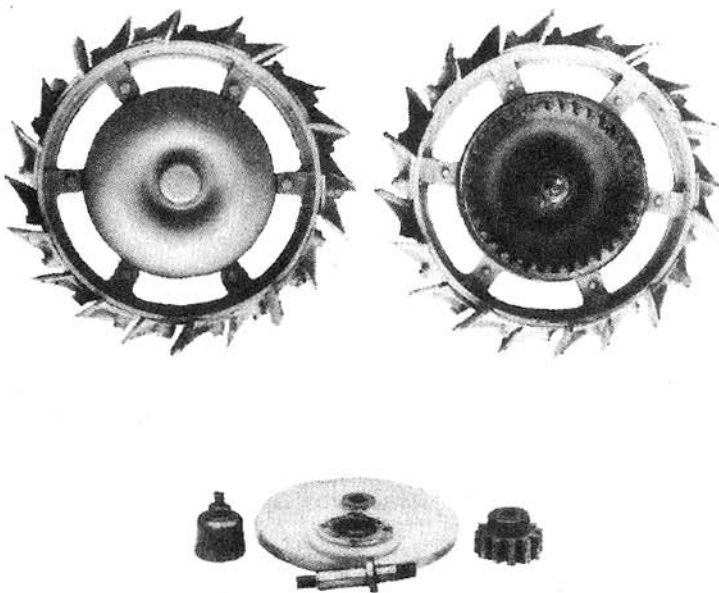
GEARED REDUCTION WHEELS FOR THE MODEL L

These steel Wheels with Gear Reduction and 9" clearance are for the heavy duty work, intensive cultivating and especially for the Turn Plow. They have just one-third the speed of the standard 16" wheels.

Each wheel weighs 65 pounds. This extra weight and slow speed give greater traction. Twenty removable iron cleats are used on each wheel. All steel gears are machine-cut and completely enclosed. There is no danger of grease leakage and consequent damage to crops when straddling rows. The rims are demountable permitting the use of even larger ones should greater clearance be desired. (See opposite page for the 26" wheels.)

This photo also shows the gear knocker furnished for the quick removal of these wheels. They can be set in different positions to throw the weight of the Tractor forward or backward according to the attachment used.

A similar steel wheel is available in the 16" size which can be used in place of the rubber tires. These do not have the Geared Reduction. Included with these are extension rims for each wheel to give greater traction in sandy soil.

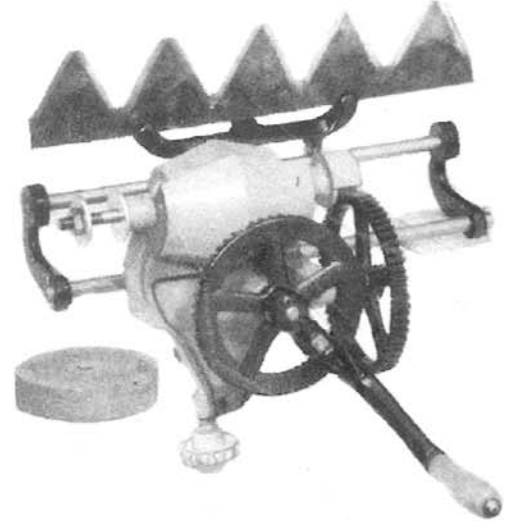


THE FINEST BUILT PIECE OF THIS OR ANY OTHER COU

PRACTICAL DESIGN

No. 82 SICKLE GRINDER

If you own a GRAVELY Sickle Mower you will want this Grinder. Capable of sharpening six sections at a time before reclamping, it is but the matter of a few moments to sharpen your complete knife. Sharper knives mean better and quicker work, and you will want to keep yours in the best of condition at all times.



THE TRANSPORTATION CART

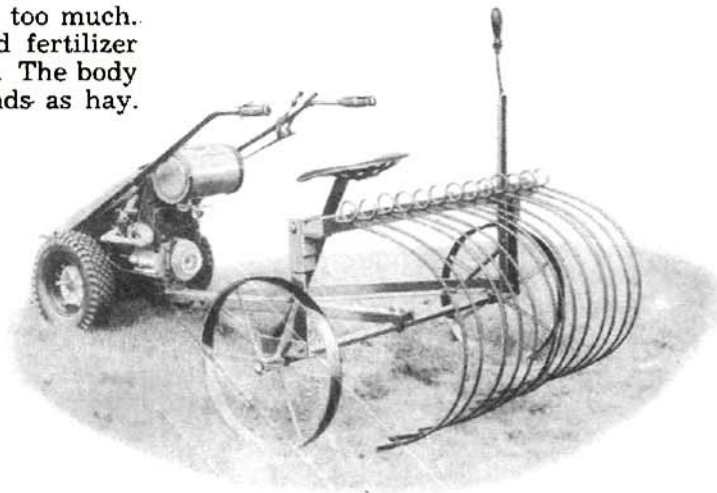
This attachment has one of the strongest appeals for all GRAVELY owners. There is a latch lock to facilitate dumping of the load. The sides are removable and replaceable with but little effort.

Design of this cart is such that a 1000 pound load is not too much. There is always something to be hauled. Rocks, dirt and fertilizer perhaps in the spring, coal, wood or apples at other seasons. The body can be taken off and a special rack attached for such loads as hay. The body shown is 50" long, 30" wide, and 10" deep.

48" HAY RAKE

After the high weeds or grass is cut attach the 48" Hay Rake and clean up. Everybody is familiar with the horse-drawn hay rakes. This is quite similar except it is made smaller in size to make for more ease in handling.

But, it will do a big job.

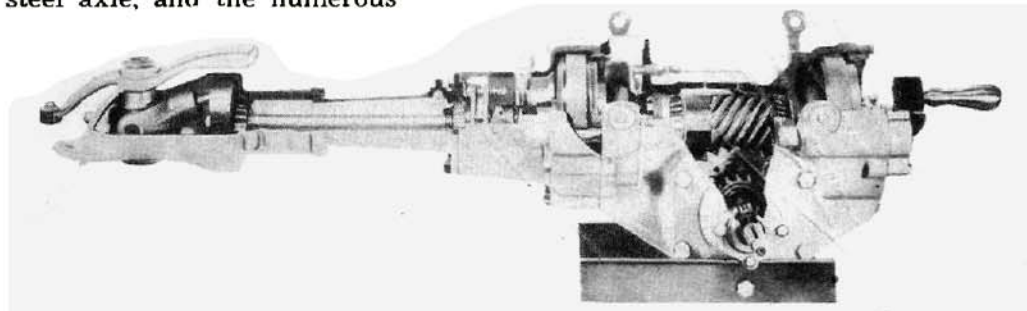


PRACTICAL, QUALITY DESIGN

In the picture below is visible the big, bronze, machine-cut Worm Gear running on a steel-cut Worm. These gears operate in a bath of oil pumped continuously through the machine, and, as can be seen, there is a liberal supply of bearings at all the vital points of wear.

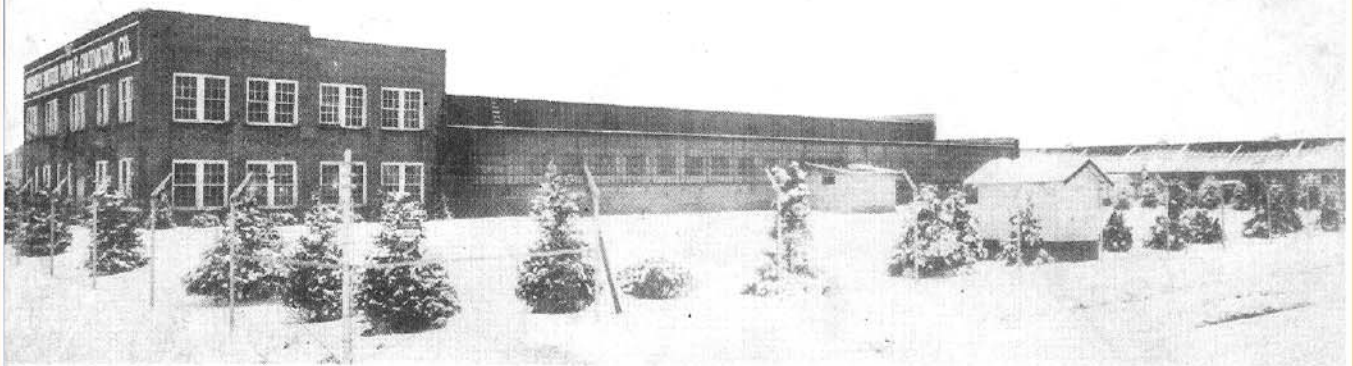
Other features about which we have spoken may be seen here too: the safety Slip Clutch incorporated into all GRAVELY Power Attachments, the tapered steel axle, and the numerous grease seals. There are no chains.

The outward appearance of the GRAVELY bespeaks its quality. This interior view of the compact design can leave no doubts about the wearing ability. You will be proud of your GRAVELY.



MACHINERY OF ITS TYPE
COUNTRY HAS EVER SEEN

IN 1922 the GRAVELY Tractor was offered to the world as a novel, yet practical, time-saving invention—a power-driven small tractor. In 1930 the mowing attachments were offered for use on this same machine. The Rotary Reel Mower and the Sickle Mower as *originally* used on the GRAVELY Tractor gave a new conception to mowing equipment. In 1935 the Snow Plow was introduced thus enabling users to get year-round service from the same machine.



FRUITS OF SPECIALIZATION

The GRAVELY Tractors and Attachments are the sole products of the Gravelly Manufacturing Company. Even the motor is made in the Gravelly factory, designed especially for these machines. Each Tractor is produced as a complete unit, each part designed to be used with the others . . . NOT AN ASSEMBLING PROPOSITION.

Thus, even today the GRAVELY Tractors are manufactured in but two models. The present Model D has been on the market practically without change since 1928. It proved itself at once as ideally suited for certain types of work, and the basic features of its design immediately won the whole-hearted approval of the commercial type grower. It has remained as well the most successful mower of extremely steep banks and slopes.

The two-wheeled Model L machine was first built in 1934. Though it is used for the same general purposes, naturally its 5 H. P. motor and different speeds make it more adaptable. It can do work too heavy for the other model.

A DEMONSTRATION IS YOURS FOR THE ASKING

Like the product you will find our sales policy better than the usual. You are not asked to buy a machine without first being shown what it will do *on your own ground and under your own conditions*. Our staff of field men are trained both to service and sell. You will find them, and every other member of our organization anxious to give you the benefit of their experience with small power equipment.

Without obligating you in the least we will be glad to arrange for a representative to visit you and to quote prices on the units needed to do your work. Our machine is sold and serviced through dealers. You will find GRAVELY Dealers qualified to give service on the machines they sell.

SOLD BY

GRAVELY MOTOR PLOW & CULTIVATOR CO.

DUNBAR, WEST VIRGINIA, U. S. A.