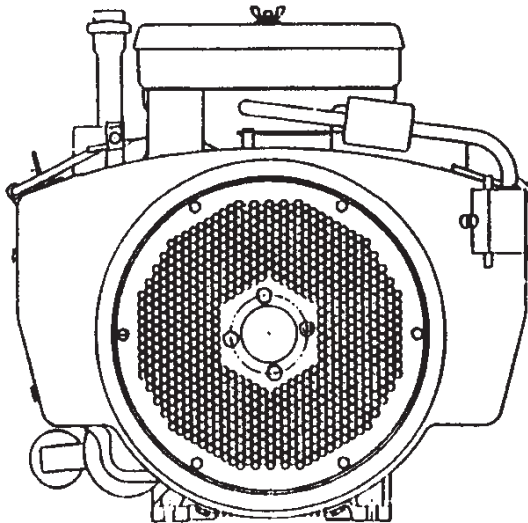


**Onan**

# *Engine*

## *Parts Catalog*

**P224G  
OL24  
LX990**



Printed in U.S.A.

965-0266C  
2-99 (Spec B-H)  
Replaces 10-98 (Spec B-H)

## MODEL IDENTIFICATION

To avoid errors or delay in filling your parts order, always give the MODEL, SPEC NO. and SERIAL NO. from the Onan nameplate.

For handy reference, insert your nameplate information in the spaces below.

---

MODEL AND SPEC NO.

---

SERIAL NO.

---

DIGITAL CONTROL SOFTWARE VERSION  
AND DATE (IF APPLICABLE)

## SAFETY PRECAUTIONS

The following symbols are used in Onan manuals to alert users to the potentially dangerous conditions relating to maintenance of equipment and replacement of parts. Please read and observe.



*This symbol warns of immediate hazards which will result in severe personal injury or death.*



*This symbol refers to a hazard or unsafe practice which can result in severe personal injury or death.*



*This symbol refers to a hazard or unsafe practice which can result in severe personal injury or product or property damage.*

## PRODUCT SAFETY PRECAUTIONS



***Service and repair of Onan equipment must be performed by trained, experienced personnel only. Improper service or repair may result in property damage, severe personal injury or death. Do not use this catalog as a guide to servicing your equipment. Read and follow the IMPORTANT SAFETY INSTRUCTIONS in the Service Manual appropriate for the equipment you are working on.***



***Contact with USED ENGINE OILS has been identified by a United States federal agency and some USA state agencies as causing CANCER or REPRODUCTIVE TOXICITY. When checking or changing engine oils take all necessary precautions not to ingest, breathe the fumes or contact the used oil.***



***Contact with ASBESTOS has been identified by a United States federal agency and some USA state agencies as causing CANCER or REPRODUCTIVE TOXICITY. When handling engine gaskets take all necessary precautions not to ingest, breathe or contact the dust from the gaskets! Use adequate ventilation and wear protective gloves, masks and clothing!***



***Contact with BENZINE and LEAD, found in gasoline, fuel additives and solvents has been identified by a United States federal agency and some USA state agencies as causing CANCER or REPRODUCTIVE TOXICITY. When checking, draining or adding gasoline and fuel additives or using solvents take all necessary precautions not to ingest, breathe the fumes or contact the liquids. Use adequate ventilation and wear protective gloves, masks and protective clothing!***

## Introduction

This parts manual applies to the Performer engine as listed in the Engine Data Table. Parts are arranged in groups of related items and each illustrated part is identified by a reference number corresponding to the same reference number in the parts list. Parts illustrations are typical. Throughout this manual, right and left sides are determined by facing the flywheel end (FRONT) of the Engine.

Using the MODEL and SPECIFICATION NUMBER from the nameplate, consult the SALES OPTION CODE TABLE in the back of the book to identify factory installed parts that are unique to your engine. (Note: The diagonal line (/) in the model and specification number separates engine characteristics from the specification number and letter. The specification number denotes customer requested features. The specification letter advances (A to B, B to C, etc.) with major manufacturing changes.)

### Engine Data Table

<u>Model</u>	<u>Rating</u>
P224G-I/*	24 Horsepower
OL24/*	24 Horsepower
LX990/*	24 Horsepower

# Index

- Adapter Assy, Oil Fill, **14**
- Adapter, Bearing Plate, **9**
- Adapter, Clutch, **42**
- Adapter, Exhaust, **53**
- Adapter, Governor Arm, **29**
- Adapter, Hydraulic Pump, **9**
- Adapter, Oil Filter, **15**
- Adapter, Oilcap, **14**
- Adapter, Remote Air Cleaner, **20**
- Arm Assy, Governor Control, **29**
- Arm, Governor, **17**
- Arm, Governor Control, **29**
  
- Ball, Governor, **10**
- Ball, Governor Shaft Bearing, **17**
- Base, Oil, **13**
- Bearing, Camshaft, **7**
- Bearing, Connecting Rod Half, **7**
- Bearing, Cylinder Block Flanged Sleeve, **7**
- Bearing, Governor Shaft, **17**
- Bearing, Rear Crankshaft, **7**
- Block, Cylinder, **7**
- Bracket Assembly, Governor, **33**
- Bracket, Cable, **29**
- Bracket, Choke, **36**
- Bracket, Choke Cable (Front Pull), **34**
- Bracket, Choke Cable (Rear Pull), **35**
- Bracket, Coil Mounting, **51**
- Bracket, Fill Tube, **14**
- Bracket, Fuel Line, **29, 33**
- Bracket, Fuel Tank, **43**
- Bracket, Governor, **41**
- Bracket, Governor Adjust, **29, 31**
- Bracket, Governor Control Mounting, **29**
- Bracket, Lifting, **29**
- Bracket, LP Converter Kit, **38**
- Bracket, Muffler, **53**
- Bracket, Solenoid, **36**
- Bracket, Two Speed Governor, **33**
- Bracket, Two Speed Governor Solenoid, **33**
- Bushing, Control Arm, **29**
- Bushing, Governor Control, **29**
- Bushing, Piston Pin, **7**
- Bushing, Two Speed Governor Control, **33**
  
- Cable Assy, Two Speed Governor, **33**
- Cable, Spark Plug, **51**
- Camshaft, **10**
- Cap, Breather, **7**
- Cap, Exhaust Valve, **7**
- Cap, Fuel Fitting, **54**
- Cap, Fuel Tank, **43**
- Cap, Oil Fill, **14**
- Cap, Starter Solenoid, **39, 40**
- Cap, Vacuum Port, **17**
- Capacitor, Air Cleaner Adapter Mounted, **19**
- Capacitor, Ignition Coil Bracket Mounted, **51**
- Capacitor, Remote Air Cleaner Mounted, **20**
  
- Carburetor, Emissions, **25**
- Carburetor, LP, **26**
- Carburetor, LPG Emissions, **37**
- Carburetor, Spec B Gasoline (Components), **23**
- Carburetor, Spec C Gasoline (Components), **24**
- Carburetor, Begin Spec G (Components), **25**
- Choke, Manual, **41**
- Clamp, Muffler, **53**
- Cleaner, Air, **19**
- Cleaner, Remote Air, **21**
- Clip, Choke Cable, **34**
- Clip, Lock, **36**
- Clutch, **42**
- Coil, Battery Ignition, **51**
- Control, Ignition, **17**
- Converter, LPG, **38**
- Cover, Air Cleaner, **19**
- Cover, Air Cleaner Element, **19**
- Cover, Exhaust Tube, **53**
- Cover, Inner Air Cleaner, **19**
- Cover, Valve Compartment, **7**
- Crankshaft, **11**
- Cup, Governor, **10**
- Cup, Oil Pump Intake, **13**
  
- Decal, Control Panel, **41**
- Definitions, Sales Option Code, **62**
- Drain, Oil Filter, **15**
  
- Elbow, Brass (LP), **26**
- Elbow, Carburetor Inlet, **43**
- Elbow, LOPKO Street, **45**
- Elbow, LP Converter Kit Brass, **38**
- Elbow, Oil Filter Street, **15**
- Elbow, Remote Air Cleaner Air Inlet, **20, 21**
- Element, Air Cleaner, **19**
- Element, Remote Air Cleaner, **21**
- Exhaust System, **53**
  
- Filter, Breather Tube, **7**
- Filter, Fuel, **54**
- Filter, Oil, **15**
- Filter, Remote Air Cleaner Breather Tube, **20**
- Fitting, Barbed, **22**
- Flywheel, **12**
  
- Gasket, Bearing Plate, **7**
- Gasket, Carburetor, **37**
- Gasket, Carburetor Mounting, **23**
- Gasket, Carburetor Mounting (Dual Fuel), **27**
- Gasket, Carburetor Mounting (LP), **26**
- Gasket, Carburetor Mounting (Spec B), **23**
- Gasket, Carburetor Mounting (Spec C), **24**
- Gasket, Cylinder Head, **7**
- Gasket, Exhaust Manifold, **53**
- Gasket, Intake Manifold, **37**
- Gasket, Oil Base, **13**
- Gasket, Oil Base Plug, **13**

## Index

Gasket, Oil Filter, **15**  
Gasket, Oil Filter Adapter, **15**  
Gasket, Plate, **9**  
Gasket, Valve Cover, **7**  
Gear, Camshaft, **10**  
Gear, Crankshaft, **11**  
Gear, Flywheel Ring, **12**  
Gearcase, **17**  
Governor, Two Speed, **33**  
Grommet, Rubber, **19, 31**  
Grommet, Two Speed Governor Fuel Line Bracket, **33**  
Guard, Stationary, **31**  
Guide, Valve, **7**

Harness, Control Panel Wiring, **41**  
Harness, Control Wiring, **50**  
Harness, Engine Wiring, **47, 49**  
Harness, LOPKO Wiring, **48**  
Head, Cylinder, **7**  
Hose, Air Cleaner Breather, **19**  
Hose, Air Inlet (Dual Fuel), **27**  
Hose, Air Inlet (LP), **26**  
Hose, Breather, **37**  
Hose, Breather (Gasoline), **22**  
Hose, Breather (LP), **26**  
Hose, Fuel (Dual Fuel), **27**  
Hose, Fuel (Gasoline), **22**  
Hose, Fuel Pump, **54**  
Hose, LP Fuel, **26**  
Hose, LPG, **37**  
Hose, Remote Air Cleaner Breather, **20**  
Housing, Air Cleaner, **19**  
Housing, Air Cylinder, **29**  
Housing, Blower, **29**  
Hub, Governor Cup, **10**

Indicator, Oil Fill, **14**  
Insert, Valve Seat, **7**  
Insulator, Ignition Module, **17**

Jet, Idle (Dual Fuel), **27**  
Jet, Idle (Spec B), **23**  
Jet, Idle (Spec C), **24**  
Jet, Main Fuel High Altitude, **25**  
Jet, Power (Spec B), **23**  
Jet, Power (Spec C), **24**  
Joint, Ball, **31, 36**

Key, **41**  
Key, Blower Wheel Machine, **12**  
Key, Camshaft Gear Woodruff, **10**  
Key, Clutch Drive, **42**  
Key, Crankshaft Gear, **11**  
Key, Crankshaft Woodruff, **11**  
Key, Flywheel, **12**  
Kit, Front Pull Governor, **29**  
Kit, 2 Speed, Solenoid Governor, **33**  
Kit, 35 Amp Alternator, **17**  
Kit, 4 Pin Harness Connector, **47**  
Kit, 4 Wire, 6 Pin Wiring Harness, **47**  
Kit, 6 Pin Harness Connector, **47**  
Kit, Air Cleaner, **19, 20**  
Kit, Alternator Terminal, **17**  
Kit, Carburetor Repair (Begin Spec G), **25**  
Kit, Carburetor Repair (Spec B), **23**  
Kit, Carburetor Repair (Spec C), **24**  
Kit, Choke Lever (Spec B), **23**  
Kit, Choke Lever (Spec C), **24**  
Kit, Choke Shaft (Spec B), **23**  
Kit, Choke Shaft (Spec C), **24**  
Kit, Clutch, **42**  
Kit, Complete Engine Gasket, **7**  
Kit, Control Panel, **41**  
Kit, Cylinder Head Removal Gasket, **7**  
Kit, Electric Fuel Pump, **32**  
Kit, Exhaust Adapter, **53**  
Kit, Exhaust Cover & Support, **53**  
Kit, Float (Spec B), **23**  
Kit, Float (Spec C), **24**  
Kit, Front /Rear Outlet Muffler, **53**  
Kit, Front Pull Choke, **34**  
Kit, Fuel Cut-off Solenoid (Spec C), **24**  
Kit, Fuel Tank, **43**  
Kit, Gasket, **55**  
Kit, Left Front Side or Right Rear Side Manifold, **53**  
Kit, Low Oil Pressure, **45**  
Kit, LPG Conversion, **37**  
Kit, LPG Converter, **38**  
Kit, Muffler, **53**  
Kit, Oil Pump Gasket, **9**  
Kit, Piston Ring, **9**  
Kit, PTO – 1” Shaft, **12**  
Kit, PTO – 7” Pilot Adapter, **9**  
Kit, PTO Bearing Plate Adapter, **9**  
Kit, PTO Electric Clutch Adapter, **42**  
Kit, PTO Front Pulley, **12**  
Kit, PTO Spacer, **12**  
Kit, Remote Choke, **36**  
Kit, Remote Elbow, **21**  
Kit, Right Front Side or Left Rear Side Manifold, **53**  
Kit, Side Pull Governor, **29**  
Kit, Starter Brush, **40**  
Kit, Starter Bushing, **40**  
Kit, Starter Cap, **39**  
Kit, Starter Clutch, **40**  
Kit, Starter Dust Seal, **40**  
Kit, Starter Hardware, **40**  
Kit, Starter Mounting Bracket, **40**  
Kit, Starter Shift Lever, **40**  
Kit, Starter Solenoid, **40**  
Kit, Stationary Grill, **31**  
Kit, Throttle Shaft (Spec B), **23**  
Kit, Throttle Shaft (Spec C), **24**  
Knob, Air Cleaner, **19**

## Index

Label, Blank Kit Number, **17**  
Label, Blank Kit Number, **9, 12, 19, 20, 21, 38, 41, 47**  
Label, Kit Number (Emissions), **37**  
Labels, **55**  
Laber, Blank Kit Number, **31**  
Lever, Choke (Front Pull), **34**  
Lever, Choke (Remote), **36**  
Lever, Control, **41**  
Lever, Governor, **31**  
Line, Flex Oil, **15**  
Line, Fuel, **43**  
Line, Pulse, **54**  
Link, Choke (Front Pull), **34**  
Link, Choke (Remote), **36**  
Link, Governor Control, **29**  
Lock, Valve Spring, **7**

Manifold, Intake (Gasoline), **22**  
Manifold, Intake (LP), **26**  
Manifold, LH Exhaust, **53**  
Manifold, RH Exhaust, **53**  
Mixer, LPG (Dual Fuel), **27**  
Muffler, **53**

O'Ring, Oil Fill Cap, **14**  
O-Ring, Oil Fill Adapter, **14**

Paint, **55**  
Panel Assy, Control, **41**  
Panel, Control, **41**  
Pin, Bearing Stop, **7**  
Pin, Center, **10**  
Pin, Choke Swivel Cotter (Front Pull), **34**  
Pin, Cotter, **29**  
Pin, Cotter (Two Speed Governor), **33**  
Pin, Gearcase Alignment, **7**  
Pin, Governor Cup Stop Dowel, **17**  
Pin, Piston, **9**  
Piston, **9**  
Plate, Air Deflector, **19**  
Plate, Ignition Plunger Cover, **9**  
Plate, Rear Bearing, **7**  
Plug, Black Nylon Stationary Guard, **29**  
Plug, Blower Housing Hole, **31**  
Plug, Countersunk (LOPKO), **15**  
Plug, Cylinder Block Core Hole, **7**  
Plug, Cylinder Block Expansion, **7**  
Plug, Expansion, **17, 25**  
Plug, Fuel Tank Drain, **43**  
Plug, Governor Cap, **33**  
Plug, Hole, **20**  
Plug, Oil Base, **13**  
Plug, Spark, **51**  
Plunger, Bypass Valve, **9**  
Precleaner, Remote Air Cleaner, **21**  
Pulley, Drive, **12**  
Pump, Fuel, **54**  
Pump, Oil, **9**  
Pump, Vacuum Fuel, **54**

Rectifier, LOPKO, **50**  
Rectifier, Silicon, **47**  
Regulator, Voltage, **17, 29**  
Repair Kit, Solenoid Valve, **25**  
Repair Package, Accelerator Pump, **25**  
Repair Package, Float and Gasket, **25**  
Ring, Camshaft Retaining, **10**  
Ring, Crankshaft Retaining, **11**  
Ring, Piston Retaining, **9**  
Rod, Choke, **36**  
Rod, Connecting, **9**  
Rod, Governor, **31**  
Rod, Governor Control, **22, 31**  
Rotator, Valve, **7**  
Rotor, Ignition, **51**

Sales Option Code Definitions, **62**  
Sales Option Code Table, **56**  
Screen, Breather Tube, **7**  
Seal, Breather Cap O'Ring, **7**  
Seal, Crankshaft Oil, **7, 17**  
Seal, Governor Shaft Oil, **17**  
Seal, Intake Valve, **7**  
Seal, Oil Fill Adapter, **14**  
Seal, Oil Fill Tube, **14**  
Seal, Remote Air Cleaner O'Ring, **20**  
Sealant, Thread, **55**  
Shaft, Governor, **17**  
Shaft, PTO, **12**  
Sheet, Instruction, **12, 17, 39, 41, 47**  
Shim, Crankshaft Thrust, **7**  
Shutoff, LP Converter Kit Fuel Solenoid, **38**  
Solenoid, Fuel Cutoff (Spec B), **23**  
Solenoid, Remote Choke, **36**  
Solenoid, Two Speed Governor, **33**  
Spacer, Air Cleaner, **19**  
Spacer, Air Cleaner (Gasoline), **19**  
Spacer, Air Cleaner (LP), **26**  
Spacer, Air Intake, **37**  
Spacer, Crankshaft, **11**  
Spacer, PTO, **12**  
Spring, Bypass Valve, **9**  
Spring, Governor, **29**  
Spring, Governor, **41**  
Spring, Governor (Low Speed), **33**  
Spring, Governor Rod, **22**  
Spring, Idle Setting, **29**  
Spring, Valve, **7**  
Starter, **39**  
Starter (Components), **40**  
Stator, **17**  
Stator, Alternator, **17**  
Strap, Fuel Tank, **43**  
Support, Air Cleaner, **19**  
Support, Exhaust Cover, **53**

## Index

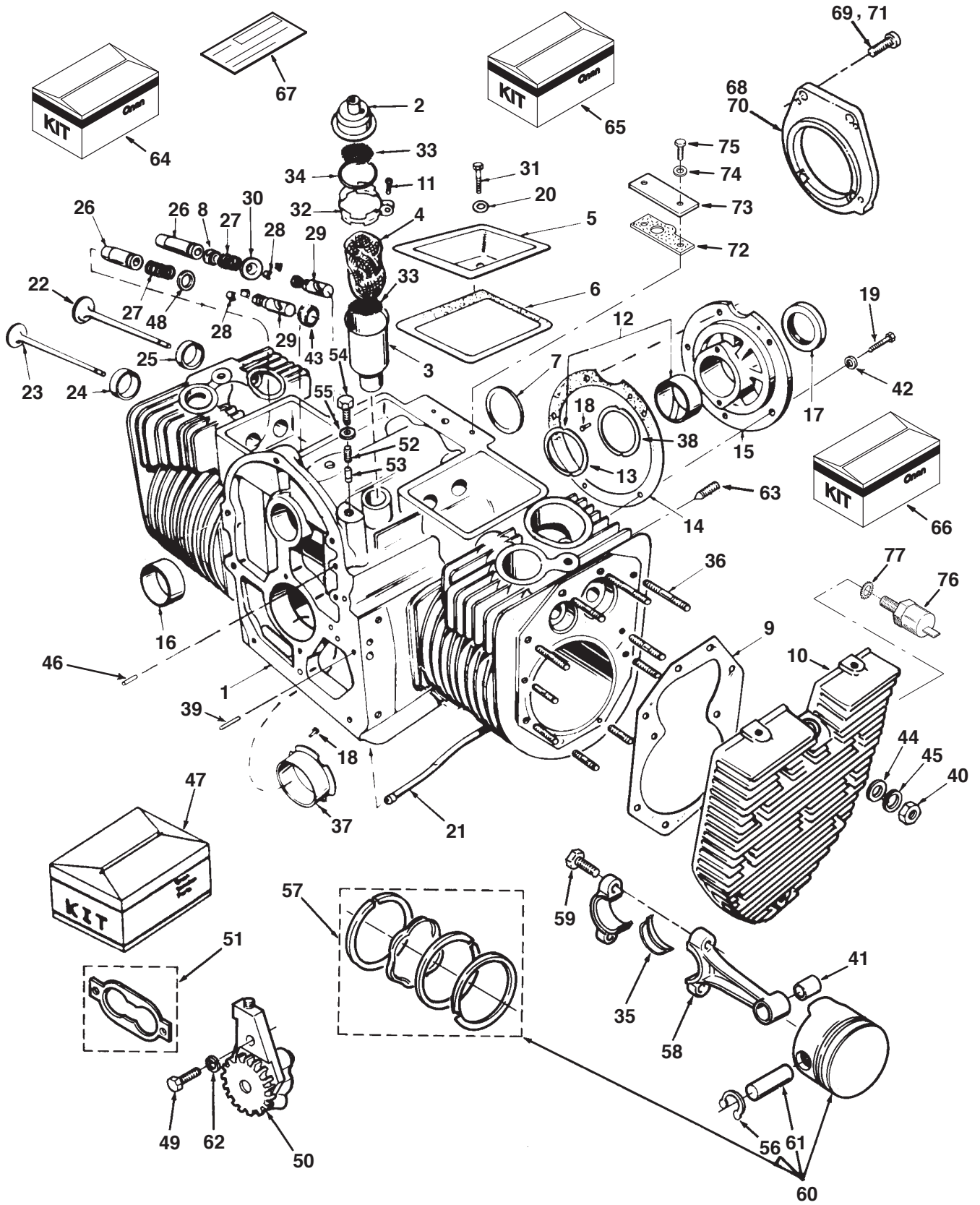
Switch, High Temperature Cutoff, **9**  
Switch, Ignition, **41**  
Switch, LOPKO, **45**  
Swivel, Choke Lever (Front Pull), **34**  
Swivel, Choke Lever (Two Speed), **33**  
Swivel, Throttle Lever, **29**  
System, Gasoline Fuel, **22**  
System, LP Fuel, **26**

Table, Sales Option Code, **56**  
Tank, Fuel, **43**  
Tappet, Valve, **7**  
Tube, Air Intake, **19, 37**  
Tube, Breather (Dual Fuel), **27**  
Tube, Crankcase Oil, **7**  
Tube, Cylinder Block Breather, **7**  
Tube, Exhaust, **53**  
Tube, Idle Feed (Dual Fuel), **27**  
Tube, Oil Fill, **14**  
Tube, Remote Air Cleaner Breather, **20**  
Tube, Remote Air Cleaner Induction, **21**  
Tube, Vacuum Port, **17**

Valve, Breather, **7**  
Valve, Exhaust, **7**  
Valve, Float, **25**  
Valve, Intake, **7**  
Valve, Shutoff, **43**

Wrapper, Air Cleaner Element, **19**  
Yoke, Governor Shaft, **17**

# Cylinder Block

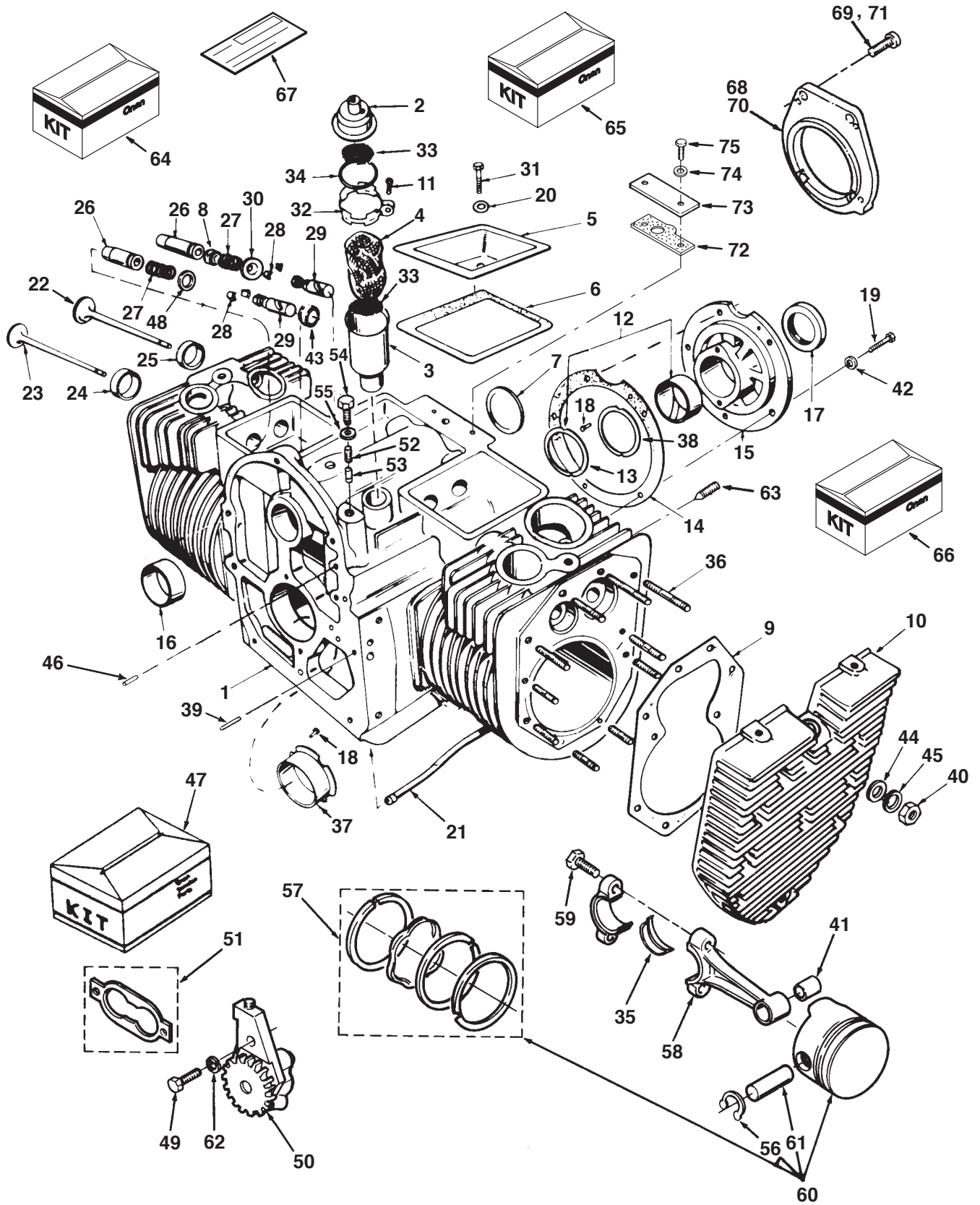




## Cylinder Block

REF NO.	PART NO.	QTY USED	PART DESCRIPTION	REF NO.	PART NO.	QTY USED	PART DESCRIPTION
1		1	Block, Cylinder (See Short Block Catalog #932-0109) (Includes Parts Marked *)	26			*Guide, Valve
2	123-0954	1	Cap and Valve, Breather		110-3167	2	Exhaust
3	123-0952	1	*Tube, Breather	27	110-3168	2	Intake
4	123-1417	1	Filter, Breather Tube	28	110-0539	4	Spring, Valve
5			Cover, Valve Compartment				Lock, Valve Spring
	110-1624-01	2	Spec B,E		110-3572	8	Spec B,C
	110-3616-02	1	Spec C,D		110-0639	8	Spec E
	110-1624-01	1	Spec C,D	29	115-0006	4	Tappet, Valve
6	110-3575	2	Gasket, Valve Cover	30			Rotator, Valve
7	517-0048-01	1	*Plug, Expansion (Plated)		110-0904	2	Spec B,C (Intake)
8	110-3604	2	Seal, Intake Valve		110-0904	4	Begin Spec E
9	110-2987	2	Gasket, Cylinder Head	31	800-0011	2	Screw, Cap – Hex Head (1/4-20 x 2")
10	110-3549	2	Head, Cylinder	32	123-0951	1	Clamp, Loop – Breather Tube Cap
11	809-0035	1	Screw, Breather Clamp (#8 x 3/4")	33	123-0958	2	Screen, Breather Tube
12			Bearing, Rear Crankshaft	34	509-0117	1	Seal, O-Ring – Breather Cap
	101-0804	1	* Standard	35			Bearing, Half – Connecting Rod
	101-0804-02		1.002" Undersize		114-0188	4	Standard
	101-0804-10		1.010" Undersize		114-0188-02	4	.002" Undersize
	101-0804-20		1.020" Undersize		114-0188-10	4	.010" Undersize
	101-0804-30		1.030" Undersize		114-0188-20	4	.020" Undersize
13	104-0575	2	*Washer, Crankshaft Bearing Thrust		114-0188-30	4	.030" Undersize
14	101-0809	1	*Gasket, Bearing Plate	36			*Stud, Cylinder Head Mounting
15			Plate, Rear Bearing		520-0919	8	3/8 x 2-19/32" (Install 4 Bottom Holes – RH, LH Heads)
	101-0439-01	1	* Code 11AH,11AW				
	101-0430-01	1	SAE-B – Code 11AR		520-0876	4	3/8 x 2-3/4" (Install 2 Top Holes – RH, LH Heads)
	101-0437-01	1	SAE-A – Code 11AP				
	101-0793-02	1	Begin Spec E		520-0918	8	3/8 x 3" (Install 4 Middle Holes – RH, LH Heads)
16	101-0405	2	*Bearing, Camshaft				Bearing, Sleeve – Flanged
17	509-0041	1	Seal, Crankshaft Oil (Rear)	37			
18	516-0072	4	*Pin, Bearing Stop		101-0805	1	* Standard
19	800-0051-01	5	Screw, Cap – Hex Head (3/8-16 x 1-1/4")		101-0805-02	1	.002" Undersize
			Loctite Patch		101-0805-10	1	.010" Undersize
					101-0805-20	1	.020" Undersize
					101-0805-30	1	.030" Undersize
20	526-0063	2	Washer, Flat – Copper (1/4" Screw)	38	104-0776	AR	*Shim, Crankshaft Thrust (.005")
21	120-0680	1	*Tube, Crankcase Oil	39	516-0141	2	*Pin, Gearcase Alignment
22			Valve, Intake	40	104-0091	20	Nut, Hex (Special)
	110-3569	2	Spec B,C	41	114-0036	2	Bushing, Piston Pin
	110-1718	2	Begin Spec E	42	526-0402	5	Washer, Flat (3/8")
23			Valve, Exhaust	43	110-3571	2	Cap, Valve – Exhaust (Spec B and C only)
	110-3570	2	Spec B,C				
	110-1719	2	Begin Spec E	44	526-0250	20	Washer, Flat – Heat Treated (3/8" Screw)
24			Insert, Valve Seat – Exhaust				
	110-1716	2	* Standard	45	851-0029	24	Washer, Compression (Special)
	110-1716-02	2	.002" Oversize	46	517-0067	1	Plug, Core Hole
	110-1716-05	2	.005" Oversize	47			Kit, Gasket
	110-1716-10	2	.010" Oversize		168-0190	1	Cylinder Head Removal
	110-1716-25	2	.025" Oversize		168-0191	1	Complete Engine
	110-3655-25	2	.025" Oversize	48	110-0893	2	Washer, Exhaust Valve Spring Retainer (Spec B and C only)
25			Insert, Valve Seat – Intake (Zinc Plated)				
	110-3655	2	* Standard	49	800-0007	2	Screw, Cap – Hex Head (1/4-20 x 1")
	110-3655-02	2	.002" Oversize				
	110-3655-05	2	.005" Oversize				
	110-3655-10	2	.010" Oversize				

# Cylinder Block



## Cylinder Block

REF NO.	PART NO.	QTY USED	PART DESCRIPTION	REF NO.	PART NO.	QTY USED	PART DESCRIPTION
50			Pump, Oil (Components Not Sold Separately)	64	541-0239	1	Kit, PTO – 7" Pilot Adapter Code 11BH (Includes Parts Marked ~)
	120-0491	1	Spec B-D				
	120-1275-02	1	Begin Spec E	65	541-0344	1	Kit, PTO Bearing Plate Adapter – SAE A – Code 11BE (Includes Parts Marked #)
51	120-0161	1	Gasket Kit, Oil Pump				
52	120-0140	1	Spring, Bypass Valve				
53	120-0398	1	Plunger, Bypass Valve	66	541-0374	1	Kit, PTO Bearing Plate Adapter – SAE B – Code 11BG (Includes Parts Marked ^)
54	801-0050	1	Screw, Cap – Hex Head (3/8-24 x 1")				
55	526-0066	1	Washer, Flat – Copper (3/8" Screw)	67	98-4240	1	~^#Label, Blank Kit Number
56			Ring, Retaining	68			Adapter, Hydraulic Pump
	518-0294	4	Spec B-D		101-0766-01	1	# Code 11BE
	112-0267	4	Begin Spec E		101-0766-02	1	^ Code 11BF, 11BG
57			Kit, Ring – Piston	69			Screw, Cap – Hex Head (3/8-16 x 1-3/4")
			Spec B-D		800-0515	4	# Code 11BE – SAE A
	113-0296		Standard		800-0515	5	^ Code 11BF, 11BG – SAE B
	113-0296-05	2	.005" Oversize	70	101-0761	1	~Adapter, Bearing Plate
	113-0296-10	2	.010" Oversize	71	815-0682	4	~Screw, Hex Recessed (3/8-16 x 1-1/4")
	113-0296-20	2	.020" Oversize				
	113-0296-30	2	.030" Oversize	72	160-1368	1	Gasket, Plate
			Begin Spec E	73	160-1345-01	1	Plate, Ignition Plunger Cover
	113-0311	2	Standard	74	740-1004	2	Washer, Flat (M6)
	113-0311-05	2	.005" Oversize	75	800-0004	2	Screw, Hex Head Cap (1/4-20 x 5/8")
	113-0311-01	2	.010" Oversize				
	113-0311-02	2	.020" Oversize	76	309-0559	1	Switch, Cut-Off – High Temperature
	113-0311-03	2	.030" Oversize				
58	114-0203	2	Rod, Connecting (Includes Bolt and Bushing)	77	853-0013	1	Washer, Lock – Ext. Tooth (1/4")
59	805-0010	4	Bolt, Connecting Rod				
60			Piston & Ring Set (Includes Pin and Retaining Rings)				
	112-0265	2	Standard				
	112-0265-05	2	.005" Oversize				
	112-0265-01	2	.010" Oversize				
	112-0265-02	2	.020" Oversize				
	112-0265-03	2	.030" Oversize				
61			Pin, Piston				
	112-0069	2	Spec B-D				
	112-0268	2	Begin Spec E				
62	740-1004	2	Washer, Flat (1/4")				
63	803-0071	4	Screw, Socket – Set (3/8-16 x 5/8")				

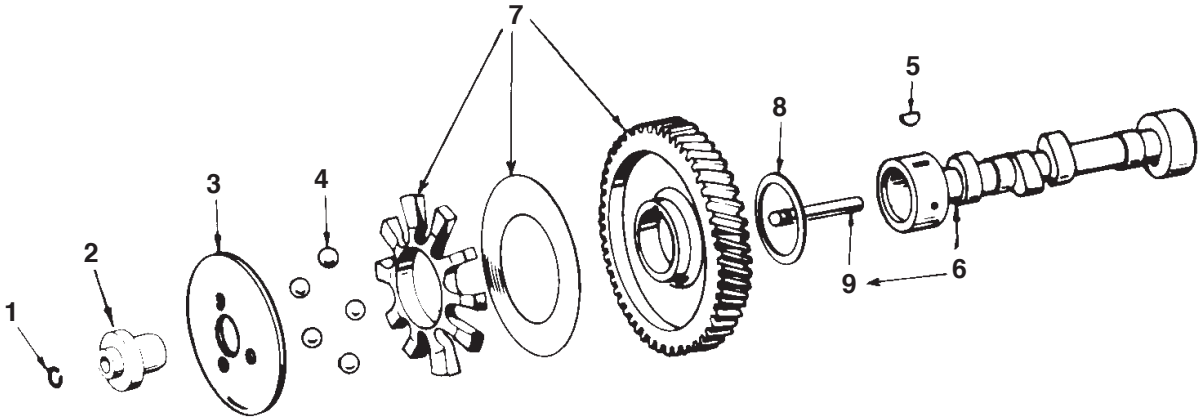
\* – Parts Included in the Cylinder Block.

# – Parts included in PTO Bearing Plate Adapter Kit SAE A.

^ – Parts included in PTO Bearing Plate Adapter Kit SAE B.

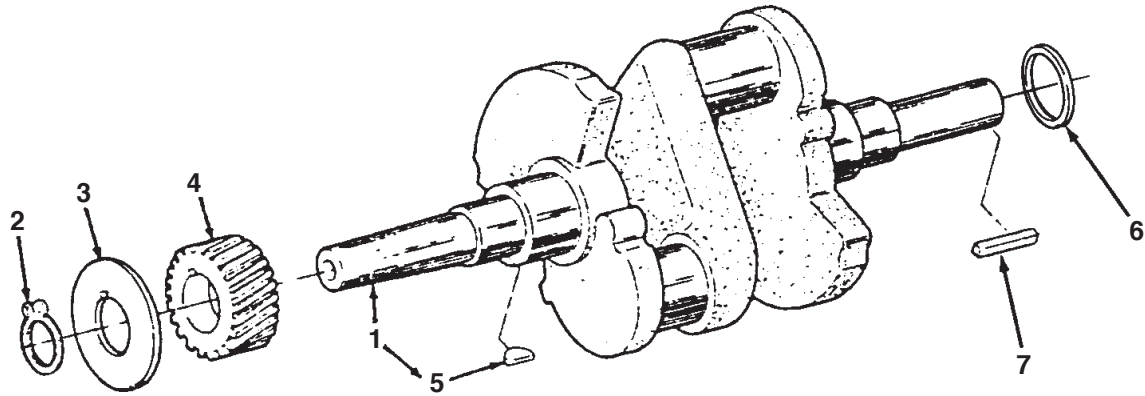
~ – Parts included in PTO – 7" Pilot Adapter Kit.

## Camshaft



REF NO.	PART NO.	QTY USED	PART DESCRIPTION	REF NO.	PART NO.	QTY USED	PART DESCRIPTION
1	150-0078	1	Ring, Retaining	6			Camshaft
2	150-1519	1	Hub, Governor Cup	105-0594		1	Specs B-G (Includes Center Pin)
3	150-1520	1	Cup, Governor	105-0676		1	Spec 11583H Only
4			Ball, Governor	7	105-0700	1	Gear, Camshaft (Includes Gear, Spacer and Plate)
	510-0015	5	5 Ball Governor (Hi-Speed)	8	105-0541	1	Washer, Thrust - Special
	510-0015	10	10 Ball Governor - Code 13CH (Lo-Speed)	9	150-0075	1	Pin, Center
5	515-0001	1	Key, Woodruff - Camshaft Gear				

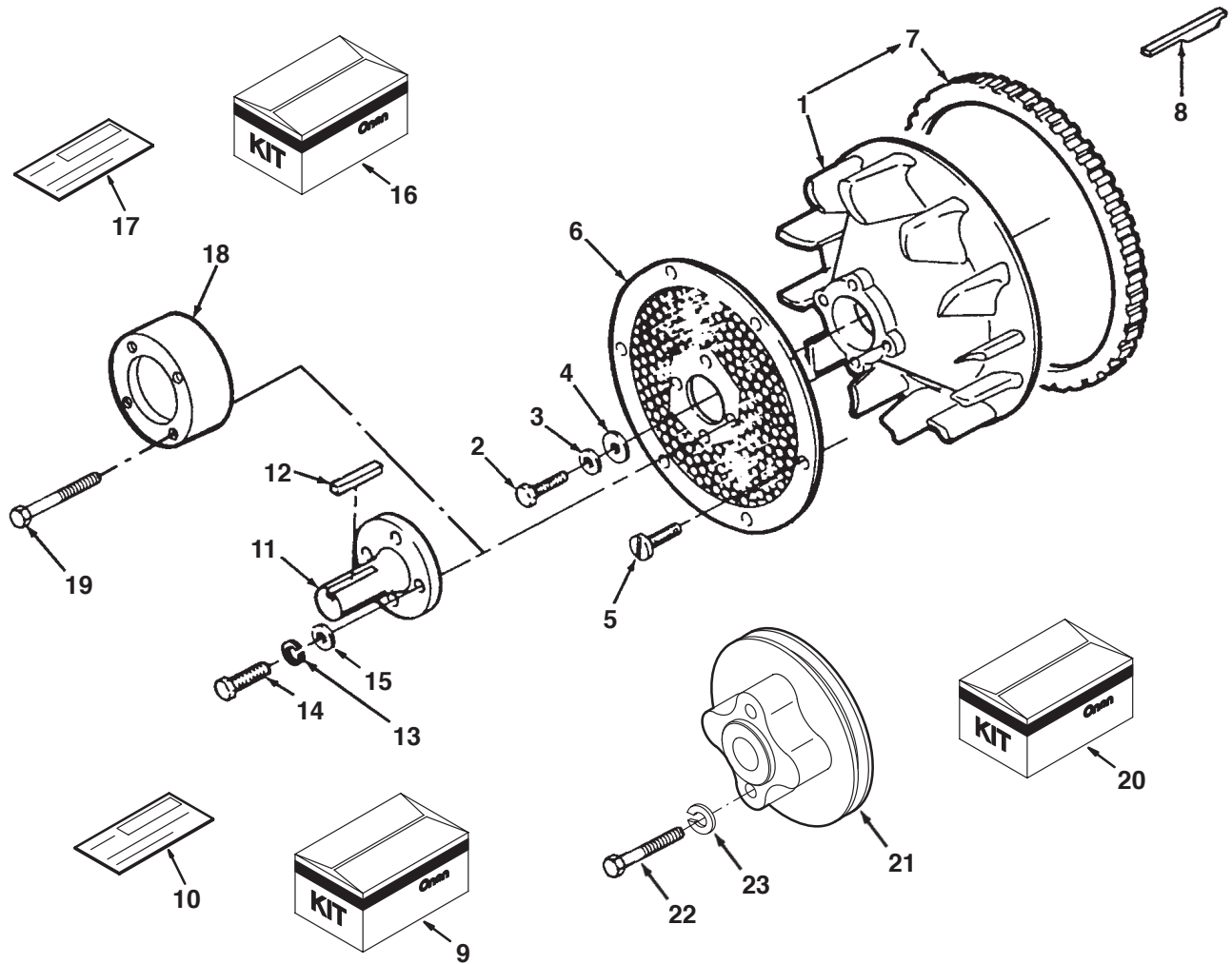
## Crankshaft



REF NO.	PART NO.	QTY USED	PART DESCRIPTION	REF NO.	PART NO.	QTY USED	PART DESCRIPTION
1			Crankshaft (Includes Keys)	5	515-0001	1	Key, Crankshaft Gear
	104-1340	1	Code 45BB	6	104-1694	1	Spacer – Code 45BE
	104-1698	1	Code 45BE	7			Key, Woodruff – Crankshaft Stub
	104-1314	1	Code 45BF		515-0263	1	Kit, Flywheel Key
	104-1311	1	Code 45BS		515-0103	1	(1/4 x 1/4 x 2") Code 45BB, 45BW
	104-1310	1	Code 45BT		515-0146	1	(#18 x 1/4 x 1-1/8")
	104-1500	1	Code 45BU		515-0198	1	(3/8 x 3/8 x 2-1/2") Code 45BW, 45BE
	104-1786	1	Code 45BY		515-0230	1	(3/8 x 3/8 x 2") Code 45BD
	104-0864-01	1	+ Code 45CC				
	104-1698	1	Code 45BD				
	104-1831	1	+ Code 45EA				
2	518-0014	1	Ring, Retaining				
3	104-0043	1	Washer, Gear Retaining – Special				
4	104-1808	1	Gear, Crankshaft				

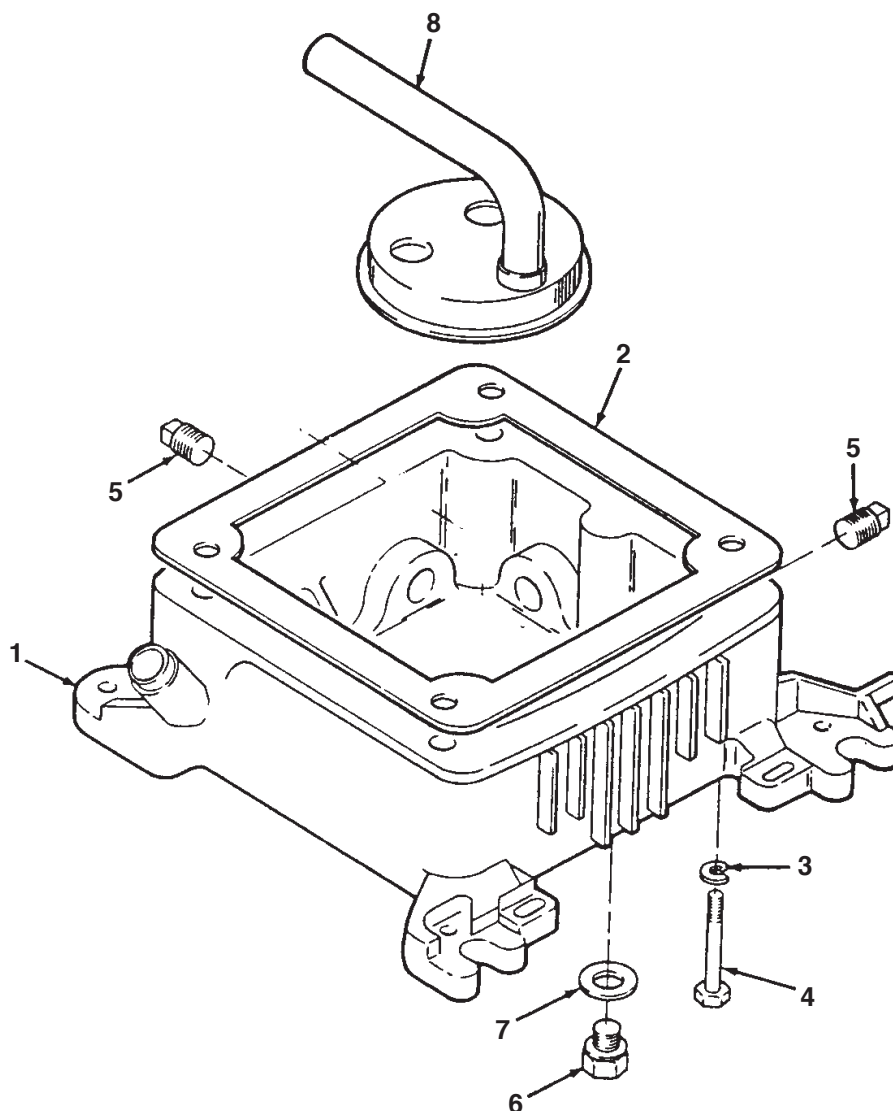
+ – Does Not Include Keys.

## Blower Wheel With Screen



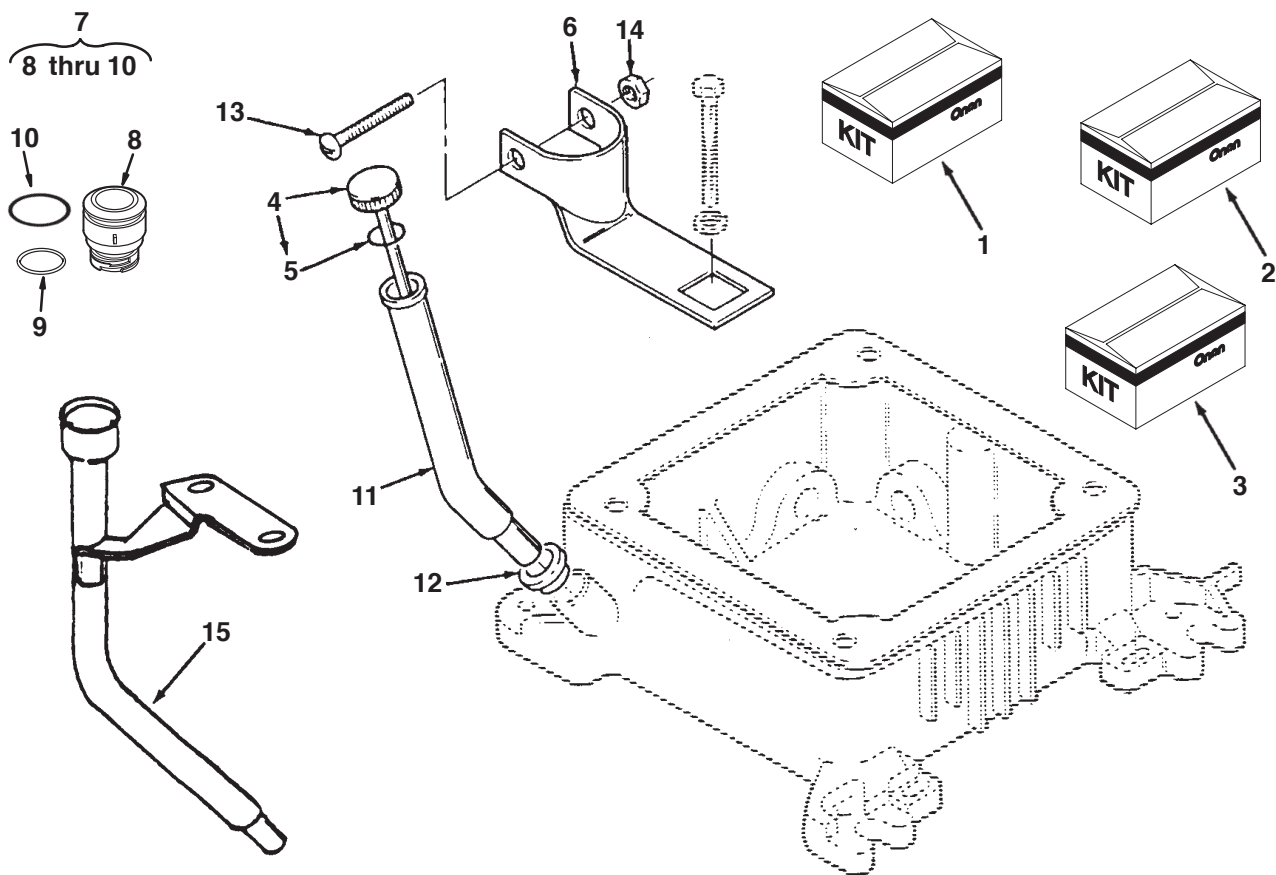
REF NO.	PART NO.	QTY USED	PART DESCRIPTION	REF NO.	PART NO.	QTY USED	PART DESCRIPTION
1	134-4680	1	Flywheel (Includes Ring Gear)	17	98-4240	1	#Label, Blank Kit Number
2	104-0170	1	Screw, Cap – Hex Head	18	190-0683	1	#Spacer, PTO
3	526-0356	1	Washer, Flat (7/16" Screw)	19	114-0022	2	Screw, Cap – Hex Head (5/16-18 x 1-3/4")
4	526-0017	1	Washer, Flat (7/16" Screw)	20	190-0576	1	Kit, PTO Front Pulley (Code 45BN) (Includes Parts Marked ^)
5	815-0687	6	Screw, Lock Head – Flange	21	191-1210	1	^Pulley, Drive (5-3/4" OD)
6	134-4553-50	1	Screen, Air Inlet – Painted	22	800-0548	2	^Screw, Hex Head Cap (5/16-18 x 1-1/2")
7	104-0779	1	Gear, Ring	23	850-0045	2	^Washer, Lock (5/16)
8	515-0284	1	Key, Flywheel (Special)	24	E-256	1	^Sheet, Instruction (Not Shown)
9	541-0222	1	Kit, PTO – 1" Shaft (Includes Parts Marked *)				
10	98-4240	1	*Label, Blank Kit Number				* – Parts included in PTO – 1" Shaft Kit.
11	190-0687	1	*Shaft, PTO – 1" Diameter				# – Parts included in PTO Spacer Kit.
12	515-0007	1	*Key, Machine (1/4 x 2")				^ – Parts included in PTO Front Pulley Kit.
13	850-0045	4	*Washer, Lock (5/16")				
14			Screw, Lock Head – Code 23DC (5/16-18 x 1.25")				
	800-0030-01	4	* (5/16-18 x 1.25")				
	821-0014	4	(5/16-18 x 1/2") Begin Spec E				
15	850-0045	4	*Washer, Flat (5/16")				
16	541-0307	1	Kit, PTO Spacer (Includes Parts Marked #)				

## Oil Base



REF NO.	PART NO.	QTY USED	PART DESCRIPTION	REF NO.	PART NO.	QTY USED	PART DESCRIPTION
1			Base, Oil (Includes All Plugs and Plug Gasket)	6		1	Plug, Hex Head – Special Metric (M22) Code 17DN
	102-1338	1	Spec B (Multidrain)	505-1462		1	Special (Code 17DA)
	102-1384-02	1	Begin Spec C	102-0938		1	Gasket, Hex Head Plug
2	102-1387	1	Gasket, Oil Base	7	102-0743	1	Gasket, Hex Head Plug
3	526-0251	4	Washer, Flat (3/8" Screw)	8		1	Cup, Intake – Oil Pump
4			Screw, Cap – Hex Head	120-1215		1	Spec B
	800-0200-01	4	(3/8-16 x 5-3/4") Spec B	120-1230		1	Spec C
	800-0302-01	4	(3/8-16 x 5-1/2") Begin Spec C	120-1272		1	Begin Spec E
5			Plug				
	505-0110	2	3/8 Pipe				
	505-0266	1	Pipe, Square – Countersunk				

## Oil Fill Tube



REF NO.	PART NO.	QTY USED	PART DESCRIPTION	REF NO.	PART NO.	QTY USED	PART DESCRIPTION
1	541-0433	1	Kit, Inner Oil Fill Tube Code 17BY (Includes Parts Marked #)	8	123-2091	1	@ Adapter, Oilcap
2	541-0434	1	Kit, Outer Oil Fill Tube Code 17BZ (Includes Parts Marked ^)	9	509-0142	1	@ Seal
3	541-0435	1	Kit, Outer Tall Oil Fill Tube Code 17CF ( Includes Parts Marked *)	10	509-0304	1	@ O-Ring
4			Cap and Indicator, Oil Fill (Includes O'Ring) Code 17CF	11			Tube, Oil Fill
	123-1843	1	Spec B		123-1718-50	1	^ Outer, Short – Painted – Code 17BZ
	123-1860	1	* Begin Spec C		123-1729-50	1	Outer, Tall – Painted – Code 17CF
	123-1860-01	1	Begin Spec H		123-1685-50	1	# Inner, Tall – Painted – Code 17BY – Begin Spec E
	123-1880	1	^ Code 17BZ		123-1869-51	1	Begin Spec H (Code 17BY)
	123-1878	1	# Code 17BY Begin Spec E	12	509-0269	1	*^# Seal, Oil Fill Tube
	123-1880-01	1	Spec 11583H (Code 17BZ)	13			Screw
5	509-0142	1	O'Ring, Oil Fill Cap		815-0576	1	Pan Head (1-1/4" Long) Code 17CF
6			Bracket, Fill Tube		815-0760	1	Hex Washer Head – Thread Cutting – Code 17BZ,17BY
	123-1897-51	1	Plated – Code 17CF	14	870-0410	1	Nut, Speed (Type U) – Code 17CF
	123-1867-51	1	^ Painted – Code 17BZ	15	123-1969-51	1	*Tube, Oil Fill – Painted (Includes Bracket) Code 17CF
	123-1869-51	1	# Painted – Code 17BY – Begin Spec E				
7	123-2105	1	Adapter Assembly, Oil Fill (Begin Spec H) (Includes Parts Marked @)				

# – Parts included in Inner Oil Fill Tube Kit.

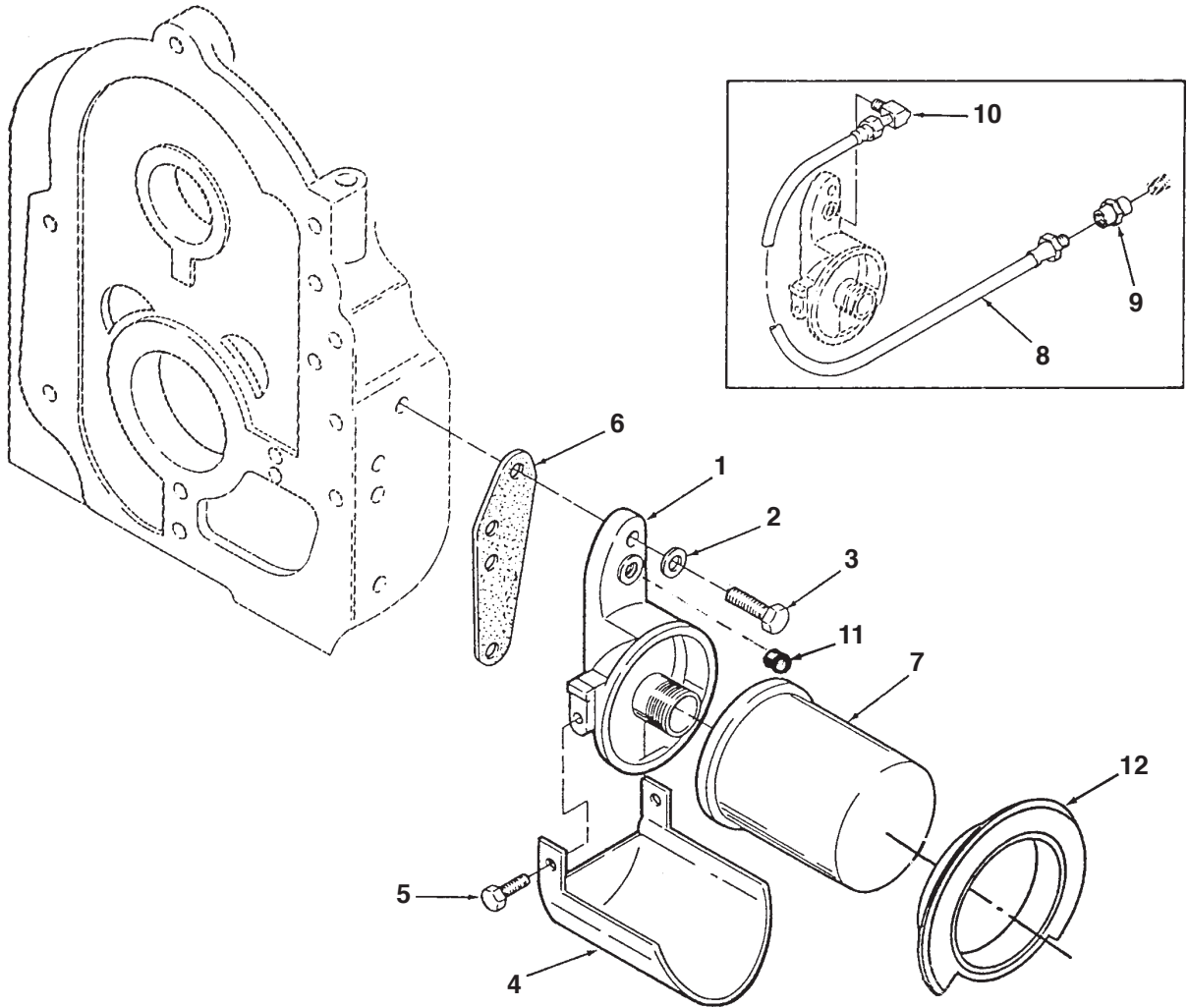
^ – Parts included in Outer Oil Fill Tube Kit.

\* – Parts included in Outer Tall Oil Fill Tube Kit.

@ – Parts included in Oil Fill Adapter Assembly.

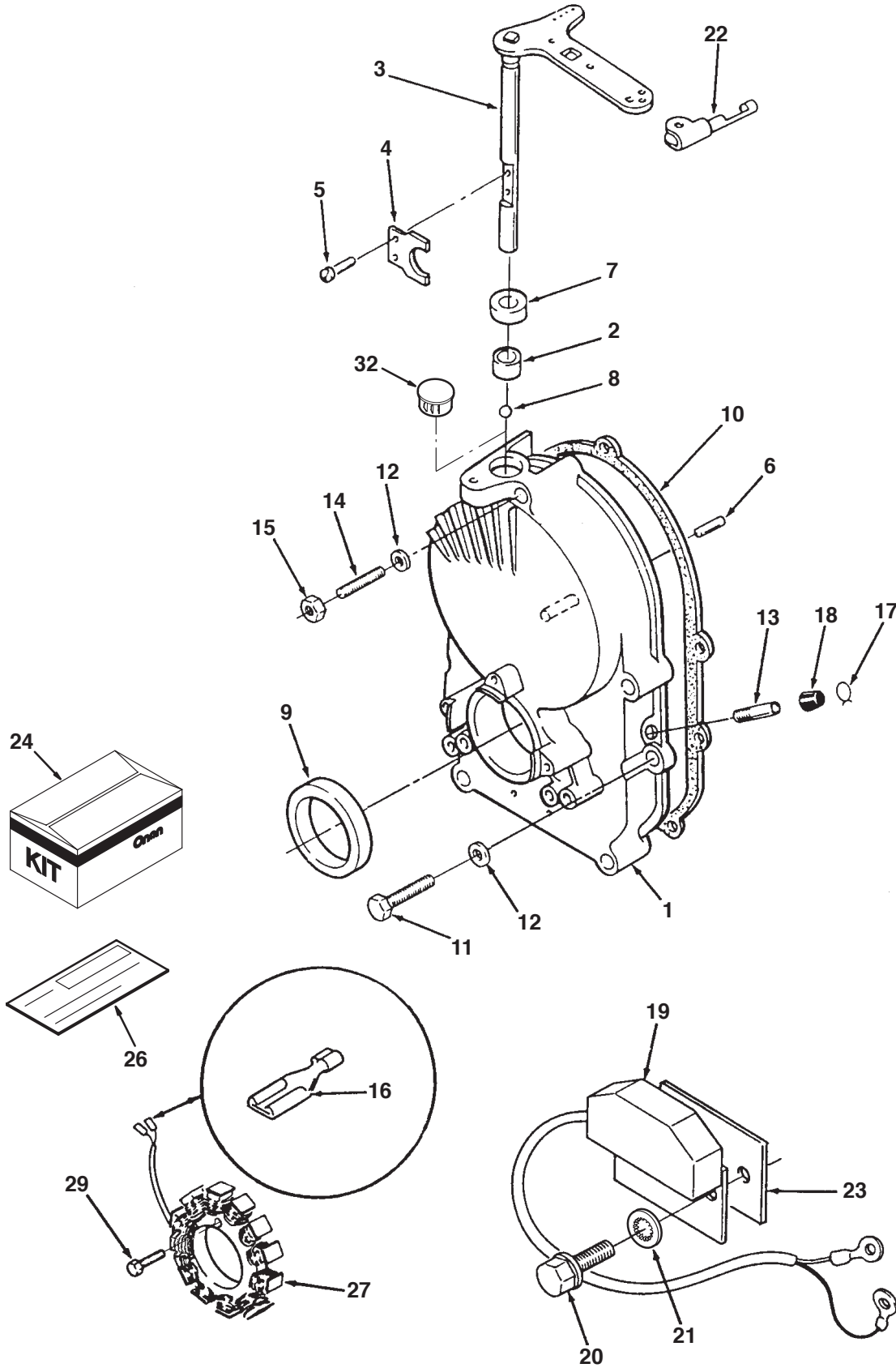


## Oil Filter



REF NO.	PART NO.	QTY USED	PART DESCRIPTION	REF NO.	PART NO.	QTY USED	PART DESCRIPTION
1	122-0814	1	Adapter, Oil Filter	7		1	Filter, Oil
2	526-0065	2	Washer, Flat – Copper (5/16" Screw)	122-0469		1	With Hex Nut – Code 17CV
3	800-0028-01	2	Screw, Cap – Hex Head (5/16-18 x 1") Shakeproof (Code 17DF)	122-0800		1	Without Hex Nut – Code 17CD 4.2" Long – Begin Spec C Code 17DF
4	122-0352-50	1	Drain, Oil Filter – Painted	8	501-0008	1	Line, Flex
5	815-0194	2	Screw, Cap – Hex Head W/ET (#10-32 x 3/8")	9	502-0017	1	Connector
6	122-0771	1	Gasket, Oil Filter Adapter	10	502-0020	1	Elbow, Street
				11	505-1426	1	Plug, Countersunk (1/8")
				12	122-0502	1	Gasket, Oil Filter – Code 17CV

# Gearcase



## Gearcase

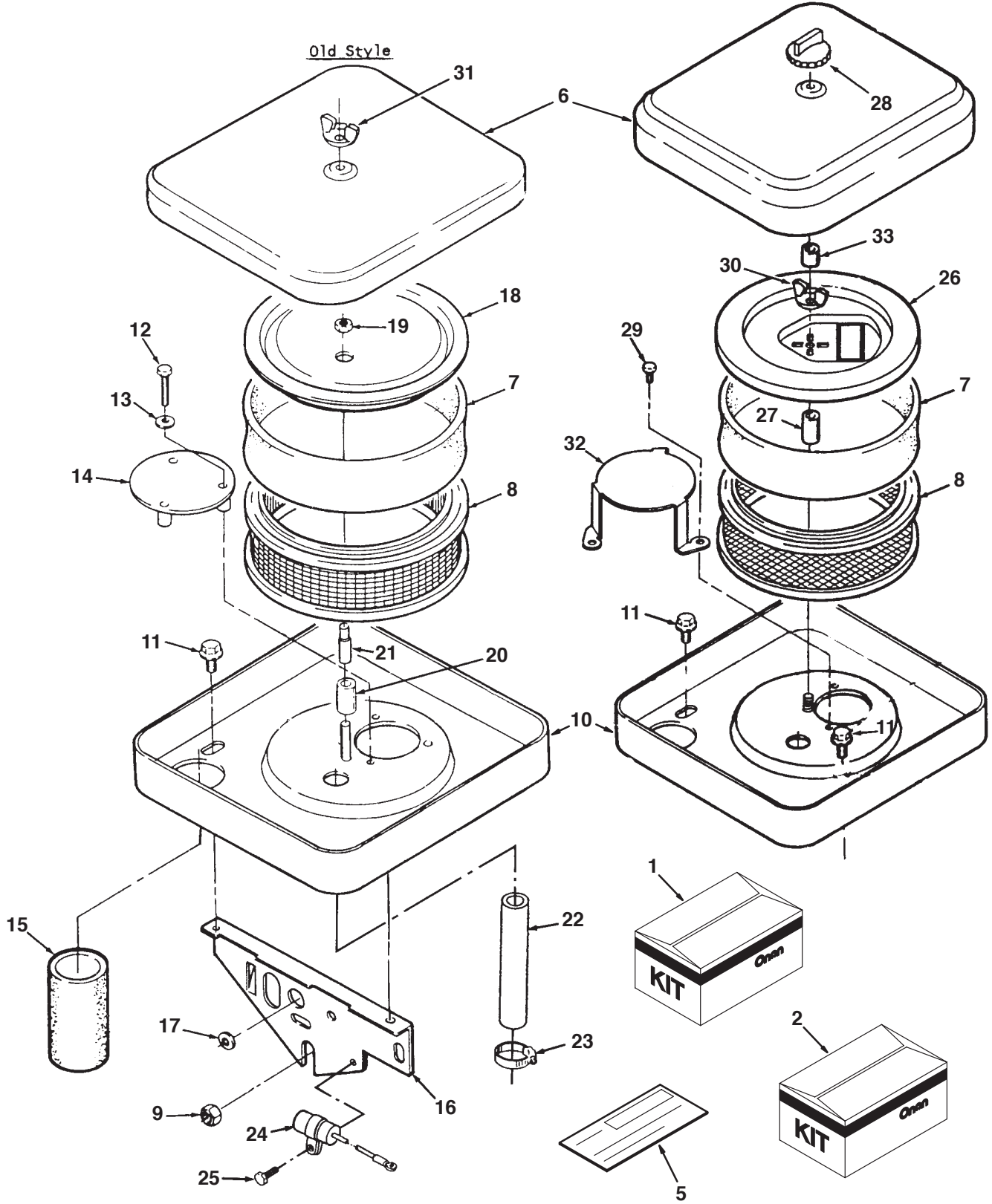
REF NO.	PART NO.	QTY USED	PART DESCRIPTION	REF NO.	PART NO.	QTY USED	PART DESCRIPTION
1			Gearcase Kit (Includes Parts Marked *)	16	191-2104	1	Terminal Kit, Alternator (3 Leads)
	103-0791	1	All Specs Except 10913	17	503-0301	1	Clamp, Vacuum Port Cap (Spec B only)
	103-0799	1	Spec 10913 only	18	149-1321	1	Cap, Vacuum Port (Spec B only)
2			*Bearing, Governor Shaft	19	166-0785	1	Control, Ignition
	510-0105	1	All Specs Except 10913 and 11583H	20	815-0340	2	Screw, Hex Washer Head (10-32x3/8")
	510-0013	1	Spec 10913 only	21	854-0010	2	Washer, Lock - IT (#10)
3			Shaft And Arm, Governor	22	518-0406	1	Clip, Retaining - Control Rod To Governor Shaft
	150-1470-01	1	All Specs Except 10913 and 11583H	23	166-0786	1	Insulator, Ignition Module
	150-1422-01	1	Spec 10913 only	24	541-0259	1	Kit, 35 Amp Alternator (Includes Parts Marked +) Code 31BC
4	150-1187	1	*Yoke, Governor Shaft (All Specs Except 11583H)	25	E-0327	1	+Sheet, Instruction (Not Shown)
5	815-0046	2	*Screw, Machine - Pan Head (8-32x3/8") (All Specs Except 11583H)	26	98-4240	1	+Label, Blank Kit Number
				27	191-1276	1	+Stator, Alternator
6	516-0130	1	*Pin, Dowel - Governor Cup Stop (All Specs Except 11583H)		191-1276	1	35 Ampere (Code 31BC)
					191-1456	1	20 Ampere (Code 31AZ)
7	509-0008	1	*Seal, Oil - Governor Shaft (All Specs Except 11583H)	28	191-1847	1	+Regulator, 35 Amp Voltage (Shown on Blower Housing Page)
8	510-0014	1	*Ball, Bearing - Governor Shaft (All Specs Except 11583H)	29	815-0659	3	+Screw, Machine - Hex Head Self-Lock (#10-32x1")
9	509-0040	1	*Seal, Oil - Crankshaft, Front	30	821-0010	1	+Screw, Lock Head (1/4-20 x1/2") (Not Shown)
10	103-0810	1	Gasket, Gearcase Mounting	31	853-0013	1	+Washer, ET Lock (Not Shown)
11	800-0032-01	4	Screw, Cap - Hex Head (5/16-18x1-3/4")	32	517-0293	1	Plug, Expansion (Spec 11583H Only)
12	526-0065	5	Washer, Flat - Copper (5/16" Screw)				
13	149-1299	1	*Tube, Vacuum Port (1.5" Long) (Spec B only)				
14	520-0933	1	Stud, Gear Cover				
15	862-0015	1	Nut, Hex (5/16-18)				
			Stator (Includes Terminals)				

\* - Parts included in Gearcase.

+ - Parts included in 35 Amp Alternator Kit.

# Air Cleaner

Tool-Less

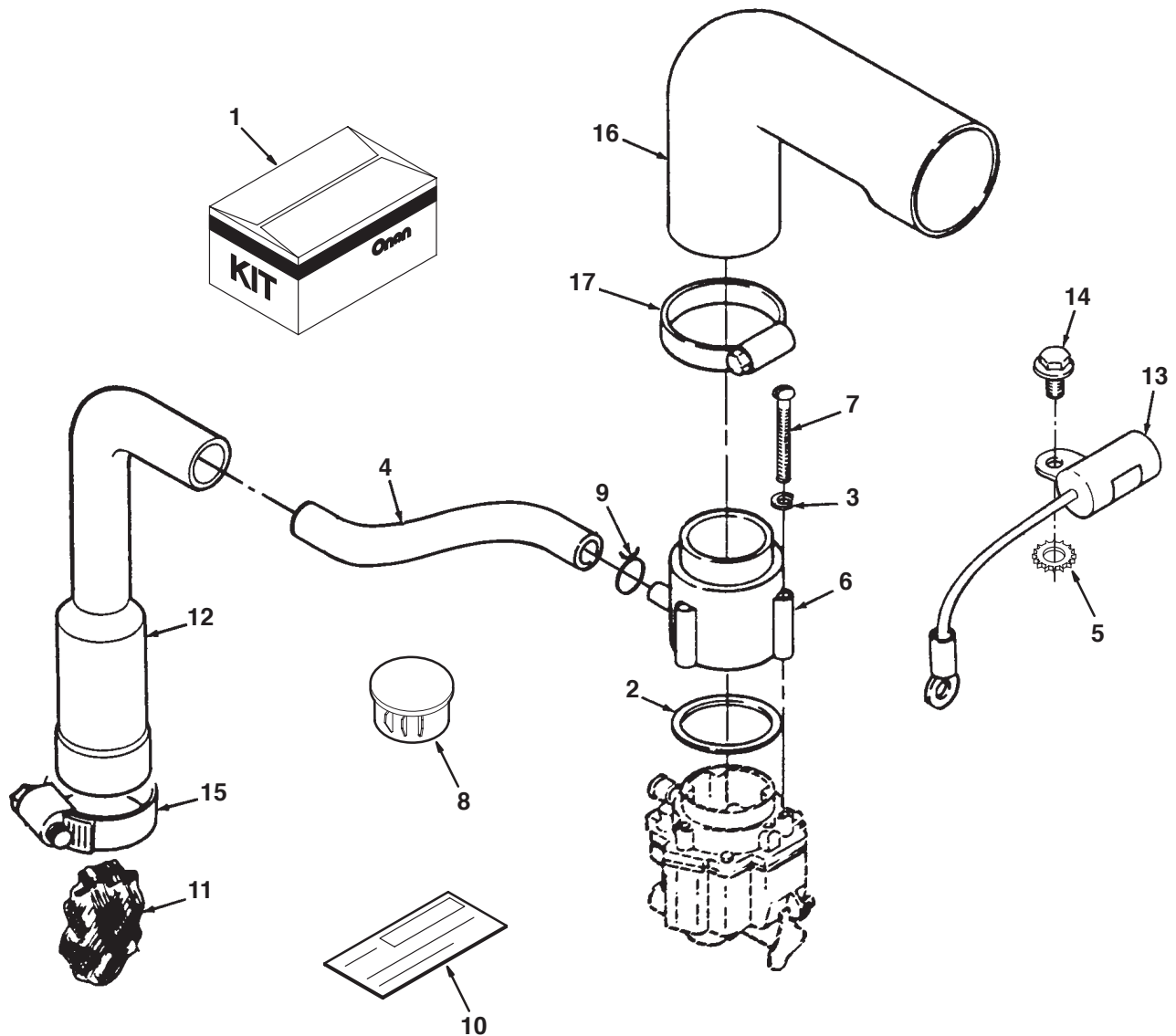


## Air Cleaner

REF NO.	PART NO.	QTY USED	PART DESCRIPTION	REF NO.	PART NO.	QTY USED	PART DESCRIPTION
1			Kit, Air Cleaner – Code 19AS (Standard Capacity)	13	526-0234	3	Washer, Flat (#10 Screw)
	541-0457-01	1	Begin Spec B (Includes Parts Marked *)	14	145-0522	1	Plate, Air Deflector
	541-0457-02	1	Begin Spec C (Includes Parts Marked #)	15			Tube, Air Intake
2			Kit, Air Cleaner – Code 19AU (High Capacity)		503-1882-01	1	3.5" Long
	541-0458-01	1	Begin Spec B (Includes Parts Marked ~)		503-1882-02	1	4.12" Long
	541-0458-02	1	Begin Spec C (Includes Parts Marked ^)		503-1882-03	1	5.12" Long
				16	140-2191-50	1	Support, Air Cleaner
				17	508-0021	1	Grommet, Rubber (3/4" Hole)
				18	541-0459	1	Cover, Element
				19	870-0365	1	Nut, Hex (1/4-20)
				20	301-0458	1	Spacer, Air Cleaner Stud
				21	520-0948	1	Stud – Code 19AU
3	E-347a	1	~* Sheet, Instruction (Not Shown)	22			Hose, Breather
4	E-348b	1	^# Sheet, Instruction (Not Shown)		503-1606-01	1	Old Style
5	98-4240	1	~^*# Label, Blank Kit Number		503-1606-02	1	^# Tool-Less
6			Cover, Air Cleaner	23	503-1133	1	^# Clamp, Hose
	140-2005-50	1	*# Code 19AS (Standard)	24	312-0256	1	Capacitor (Placed Horizontal)
	140-1913-50	1	~^ Code 19AU, 19CL (XSL)	25	815-0389	1	Screw, Hex Head (1/4-20 x 3/8")
	140-2005-02	1	Code 19BB – Begin Spec C (Chrome)	26			Cover, Inner – Tool-Less
					140-2794	1	Spec A-F
7			Wrapper, Air Cleaner Element		140-2942	1	~^*# Begin Spec G
	140-1496-01	1	*# Code 19AS	27			Spacer, Air Cleaner Stud
	140-1912-01	1	Code 19AU, 19CL		140-2536-01	1	*# Extended Service Life & Standard Capacity 1" Long
8			Element, Air Cleaner		140-2536-02	1	~^ High Capacity – 2.75" Long
	140-2628-01	1	*# Code 19AS – Standard Capacity – Extended Service	28	140-2761	1	~^*# Knob, Tool-Less
	140-2628-02	1	~^ Code 19AU, 19CL – High Capacity	29	815-0463	3	~^*# Screw, Slotted – Hex Washer Head (10-32 x 3/8")
9	870-0399	1	Nut, Hex Washer Head Flanged (5/16-18) Code 19AV	30	865-0029	1	Nut, Wing
10			Housing, Air Cleaner	31	865-0020	1	Nut, Wing (1/4-20)
	140-2493-51	1	* Code 19AS – Painted	32	145-0614	1	~^ Plate, Air Deflector – High Capacity
	140-2539-51	1	~ Code 19AU – Painted	33	140-2786	1	~^*# Spacer, 1/2" LG – Standard and High Capacity
	140-2493-53	1	# Begin Spec C – Use with Standard Filter				
	140-2539-53	1	^ Begin Spec C – Use with High Capacity Filter				
11	815-0575	2	Screw, Tapping – Hex Washer Head (1/4-20 x 3/8")				
12	815-0470	3	Screw, Hex Head – Machine (#10-32 x 1-1/2")				

\* – Parts included in 541-0457-01 Air Cleaner Kit.  
 # – Parts included in 541-0457-02 Air Cleaner Kit.  
 ~ – Parts included in 541-0458-01 Air Cleaner Kit.  
 ^ – Parts included in 541-0458-02 Air Cleaner Kit.

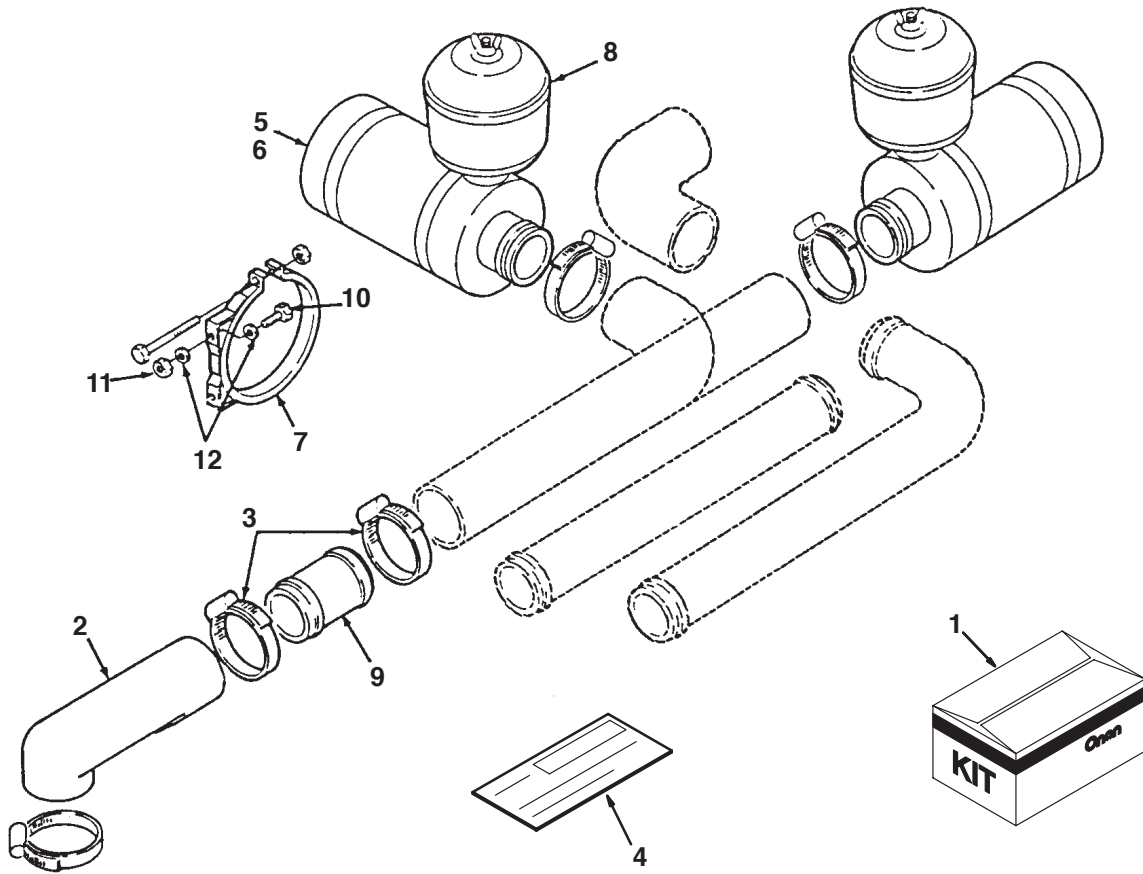
## Remote Air Cleaner Adapter



REF NO.	PART NO.	QTY USED	PART DESCRIPTION	REF NO.	PART NO.	QTY USED	PART DESCRIPTION
1	541-0320	1	Kit, Remote Adapter Air Cleaner (Includes Parts Marked *)	10	98-4240	1	*Label, Blank Kit Number
			Code 19AV	11	123-1871	1	Filter, Breather Tube
2	509-0145	1	*Seal, O-Ring	12	123-1539	1	Tube, Breather – Crankcase
3	850-0030	3	*Washer, Lock – Spring (#10)	13	312-0256	1	Capacitor
4	503-1396	1	*Hose, Breather	14	815-0178	1	Screw, Hex Washer Head Thread Form (10-32 x 5/8")
5	853-0013	1	*Washer, Lock – External Tooth (1/4")	15	503-0398	1	Clamp, Breather Tube (1-5/8" Diameter)
6	140-1714	1	*Adapter, Air Intake	16	140-1428	1	Elbow, Air Inlet
7	813-0106	3	*Screw, Machine – Round Head (#10-32 x 1-1/8")	17	503-1141	1	Clamp, Hose (2-3/8" Diameter)
8	517-0252-01	1	*Plug, Hole				
9	503-0171	2	*Clamp, Hose (11/16" Dia.)				

\*- Parts included in Air Cleaner Kit.

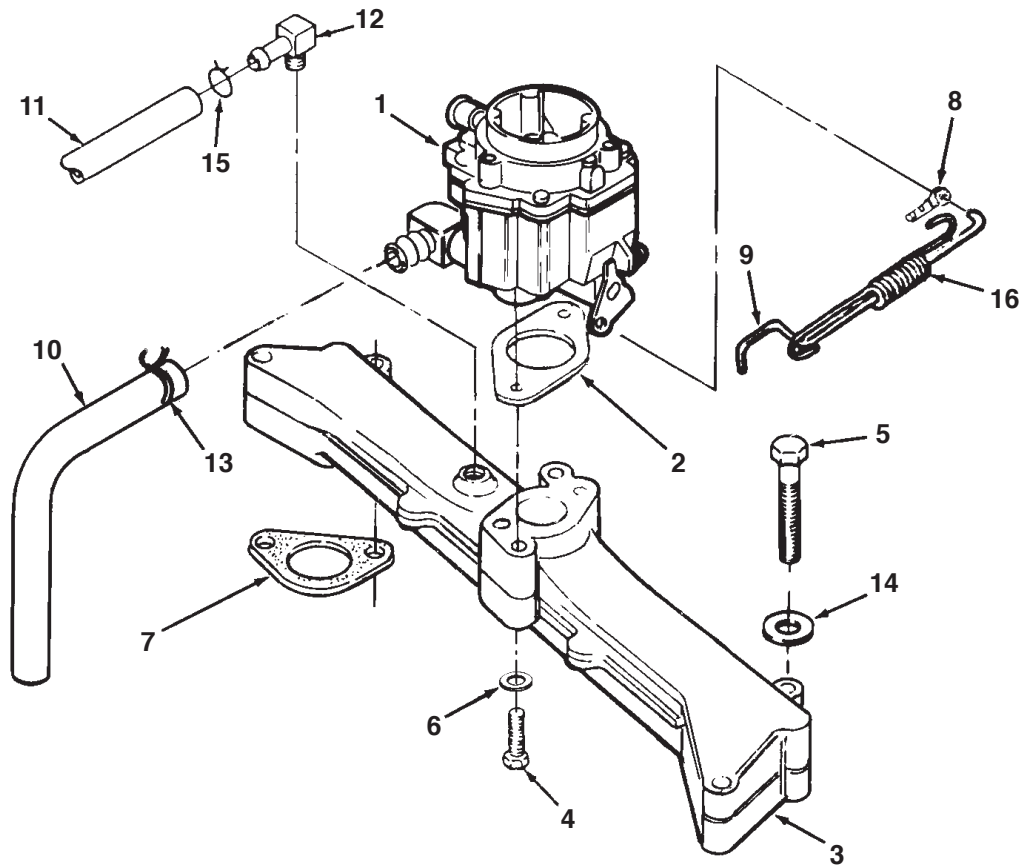
## Remote Air Cleaner



REF NO.	PART NO.	QTY USED	PART DESCRIPTION	REF NO.	PART NO.	QTY USED	PART DESCRIPTION
1	541-0147	1	Kit, Air Cleaner Remote Elbow (Include Parts Marked *)	8	140-0723	1	Precleaner, Air Cleaner (Plastic)
2	140-1428	1	*Elbow, Air Inlet	9	140-2173	1	Tube, Air Induction (Steel)
3	503-1141	4	*Clamp, Hose (2-3/8 x 1/2" Band)	10	800-0004	4	Screw, Hex Head Cap (1/4-20 x 5/8")
4	98-4240	1	*Label, Blank Kit Number	11	870-0065	4	Nut, Self-Lock (1/4-20)
5	140-0721	1	Cleaner, Air (Includes Element)	12	526-0018	8	Washer, Flat (1/4" Screw)
6	140-2860	1	Element, Air Cleaner				
7	140-0722	2	Band, Air Cleaner				

\*- Parts included in Remote Elbow Kit.

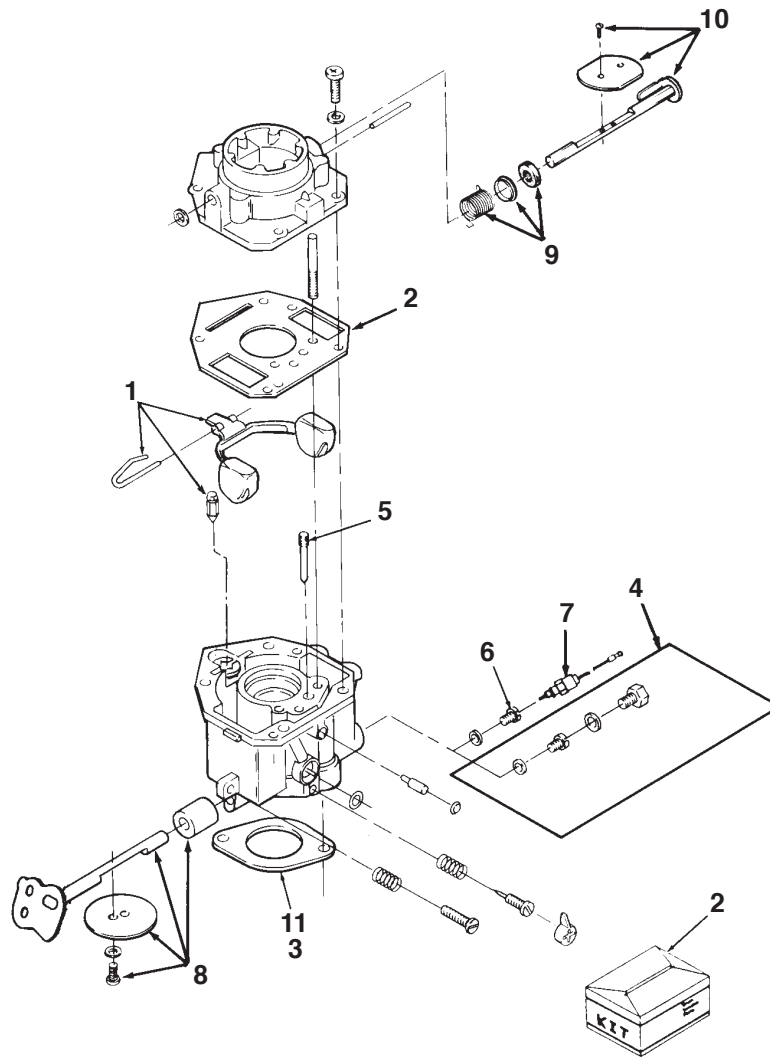
## Fuel System Gasoline



REF NO.	PART NO.	QTY USED	PART DESCRIPTION	REF NO.	PART NO.	QTY USED	PART DESCRIPTION
1			Carburetor, Complete (Includes Mounting Gasket, Elbow and O-Ring) (See Separate Page for Components)	6	740-1006	2	Washer, Flat (M8)
	146-0497	1	Spec B-F	7	154-2219	2	Gasket, Intake Manifold
	146-0662	1	Begin Spec G (Emissions Carburetor) (Includes Gasket Only)	8	518-0004	1	Clip, Retaining - Control Rod To Carburetor
2	154-0733	1	Gasket, Carburetor Mounting	9	150-2553	1	Rod, Governor Control
3			Manifold, Intake	10			Hose, Fuel
	154-2873	1	Code 15BD		503-1199	1	24" Long
	154-2749	1	Code 15CU		503-1418	1	15" Long
4	800-0035	2	Screw, Cap - Hex Head (5/16-18 x 2-1/2")	11	503-1606-01	1	Hose, Rubber Breather (3.25" Long)
5			Screw, Cap - Hex Head (3/8-16 x 3")	12	502-1038	1	Fitting, Barbed - Code 19AU
	800-0058	4	Spec B (3/8-16 x 3")	13	503-0731	2	Clamp, Hose - (1/2" Diameter)
	800-0058	2	Begin Spec C (3/8-16 x 3")	14			Washer, Flat
	800-0036	2	Begin Spec C (5/16-18 x 2-3/4")		526-0251	4	Spec B (3/8" Screw)
					526-0251	2	Begin Spec C (3/8" Screw)
					526-0122	2	Begin Spec C (5/16" Screw)
				15	503-1133	1	Clamp, Hose - Breather
				16	150-2409	1	Spring, Rod - Governor

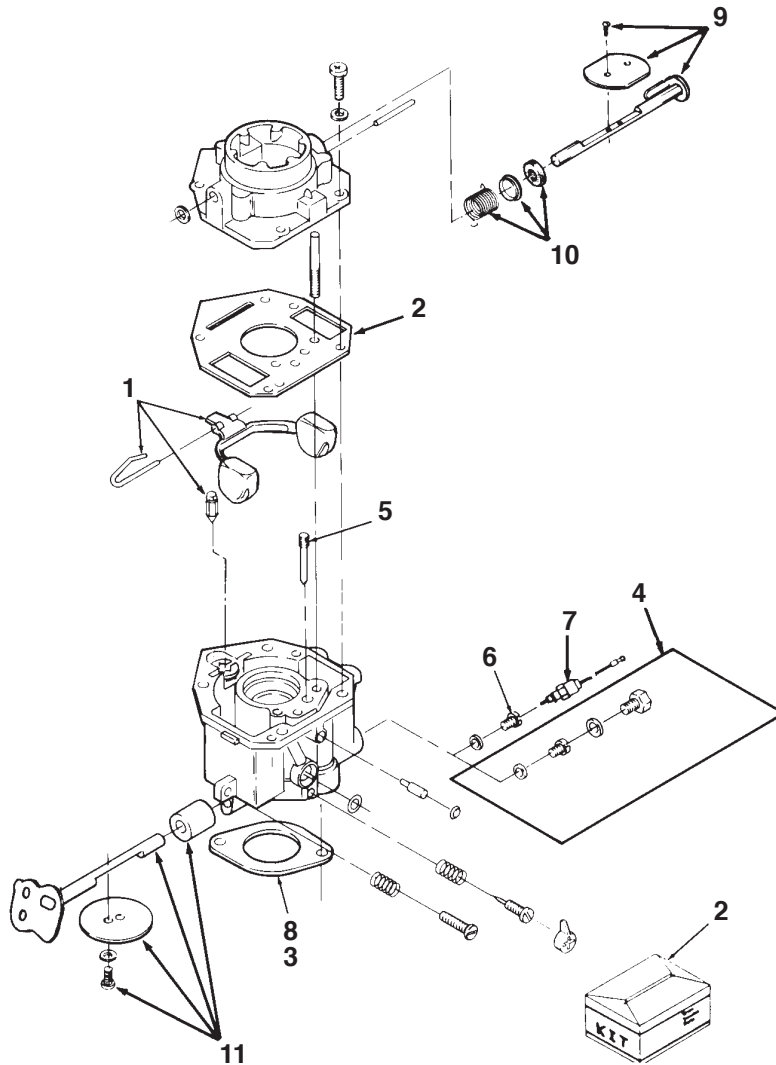


## Carburetor Components Nikki Spec B



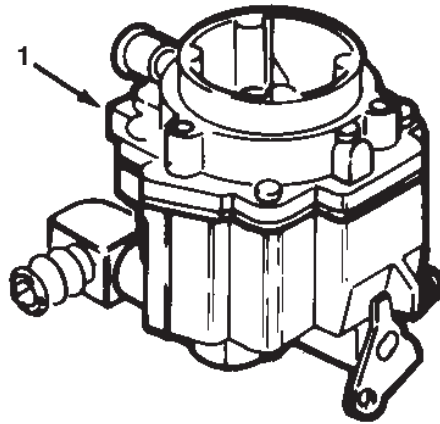
REF NO.	PART NO.	QTY USED	PART DESCRIPTION	REF NO.	PART NO.	QTY USED	PART DESCRIPTION
	146-0431	1	Carburetor, Complete (Includes Mounting Gasket)	5	146-0426	1	Jet, Idle
1	146-0437	1	Kit, Float (Includes Float, Pin and Valve)	6	146-0501	1	Jet, Power – Fixed – Standard
2	146-0500	1	Kit, Repair (Includes Screw And Plug Package, Gasket Package, Float Valve, Idle Adjust Needle and Spring, Mounting Gaskets, Idle Limit Cap)	7	146-0467	1	Solenoid, Fuel Cut-Off (Includes Gasket)
3	154-0733	1	Gasket, Carburetor Mounting	8	146-0505	1	Kit, Throttle Shaft
4	146-0424	1	Jet, Power – Fixed – Optional (High Altitude Application) (Package) (Includes Float Valve, Idle Jet, Power Jet, Idle Needle-Adjust, and Power Jet Gasket)	9	146-0435	1	Kit, Choke Lever
				10	146-0433	1	Kit, Choke Shaft
				11	145-0438	1	Gasket, Carburetor Mounting

## Carburetor Components Nikki Spec C



REF NO.	PART NO.	QTY USED	PART DESCRIPTION	REF NO.	PART NO.	QTY USED	PART DESCRIPTION
			Carburetor, Complete (Includes Mounting Gasket)	5	146-0426	1	Jet, Idle
	146-0497	1	Begin Spec C	6	146-0501	1	Jet, Power – Fixed – Standard
1	146-0437	1	Kit, Float (Includes Float, Pin and Valve)	7	146-0502	1	Kit, Fuel Cut-Off Solenoid (Includes Cut-Off Solenoid, Crimp Terminal, and Gasket)
2	146-0500	1	Kit, Repair (Includes Screw And Plug Package, Gasket Package, Float Valve, Idle Adjust Needle and Spring, Mounting Gaskets, Idle Limit Cap)	8	146-0499	1	Gasket, Mounting
3	154-0733	1	Gasket, Carburetor Mounting	9	146-0433	1	Kit, Choke Shaft
4	146-0424	1	Jet, Power – Fixed – Optional (High Altitude Application) (Package) (Includes Float Valve, Idle Jet, Power Jet, Idle Needle-Adjust, and Power Jet Gasket)	10	146-0435	1	Kit, Choke Lever
				11	146-0505	1	Kit, Throttle Shaft

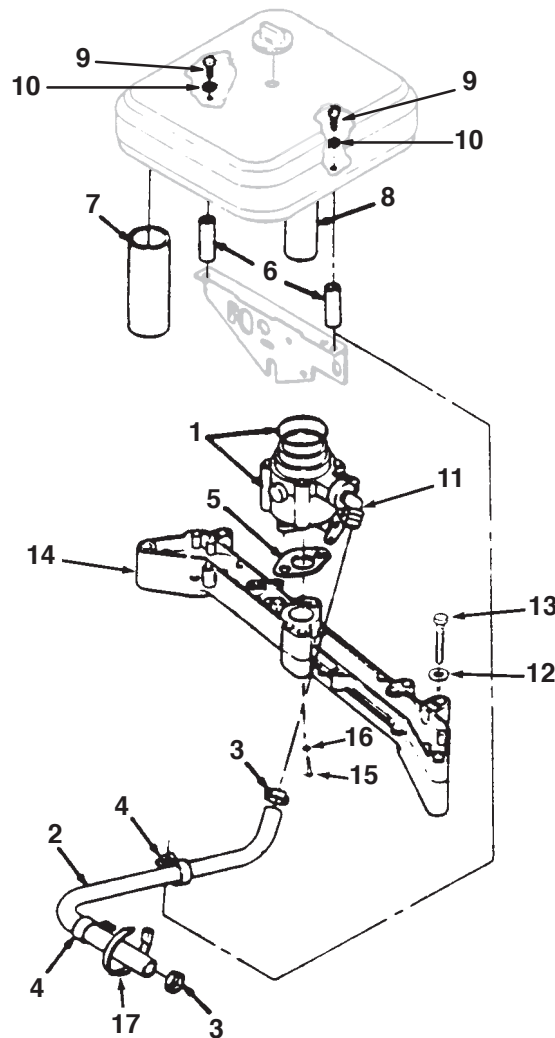
## Carburetor Components Begin Spec G



REF NO.	PART NO.	QTY USED	PART DESCRIPTION	REF NO.	PART NO.	QTY USED	PART DESCRIPTION
1	146-0662	1	Carburetor, Emissions (Includes Parts Marked *)	7	146-0649	1	*Repair Package, Accelerator Pump
2	146-0338	4	*Screw, Valve Set	8	146-0502	1	Repair Kit, Solenoid Valve
3	146-0423	1	*Valve, Float	9	146-0657	1	*Repair Kit, Float and Gasket
4	146-0331	1	*Spring, Adjustment Screw	10	146-0658	1	*Repair Kit, Accelerator Pump
5	146-0339	1	*Plug, Expansion	11	146-0695	1	*Jet, Main Fuel High Altitude
6	146-0650	1	*Repair Package, Float and Gasket				

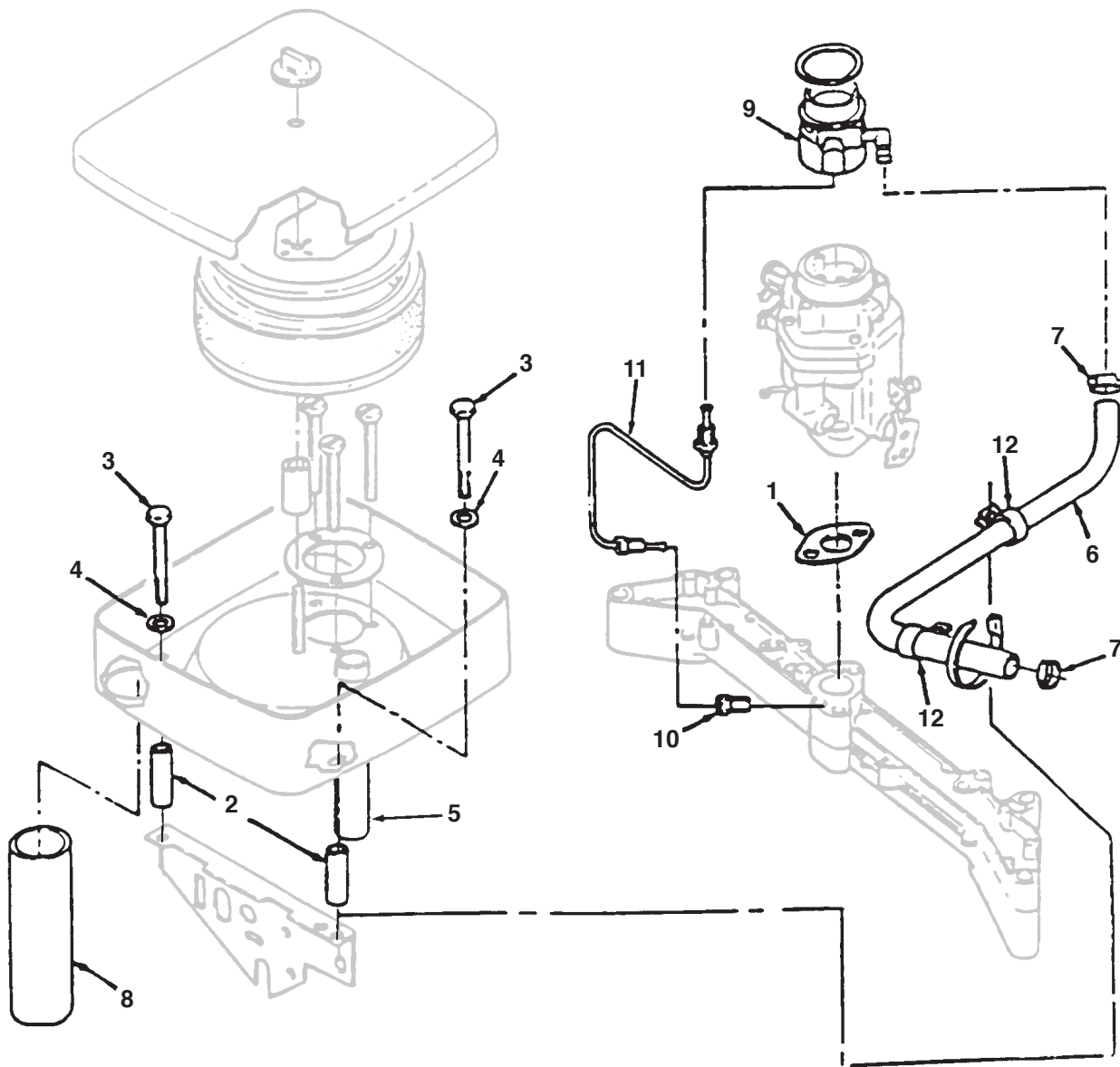
\*- Parts included in Emissions Carburetor.

## Fuel System LP Carburetor



REF NO.	PART NO.	QTY USED	PART DESCRIPTION	REF NO.	PART NO.	QTY USED	PART DESCRIPTION
1	146-0562	1	Carburetor, LP	13			Screw, Cap – Hex Head
2	503-1798-01	1	Hose, Fuel (3/8" ID x 27" Long)	800-0058		4	Spec B (3/8-16 x 3")
3	503-1133	2	Clamp, Hose	800-0058		2	Begin Spec C (3/8-16 x 3")
4	332-1356	1	Clamp, Loop	800-0036		2	Begin Spec C (5/16-18 x 2-3/4")
5	141-0281	1	Gasket, Carburetor Mounting	14	154-2873	1	Manifold, Intake
6	140-2722-01	2	Spacer, Air Cleaner	15	800-0035	2	Screw, Cap – Hex Head (5/16-18 x 2-1/2")
7	503-1882-03	1	Hose, Air Inlet	16	740-1006	2	Washer, Flat
8	503-1606-03	1	Hose, Breather	17	332-1794	1	Tie, Cable (Self-Locking)
9	821-0013	2	Screw, Cap – Hex head (1/4-20 x 1)				
10	526-0018	2	Washer, Flat (1/4" Screw)				
11	502-1146	1	Elbow, Brass – 45° (Included with Carburetor)				
12			Washer, Flat (M8)				
	526-0251	4	Spec B (3/8" Screw)				
	526-0251	2	Begin Spec C (3/8" Screw)				
	526-0122	2	Begin Spec C (5/16" Screw)				

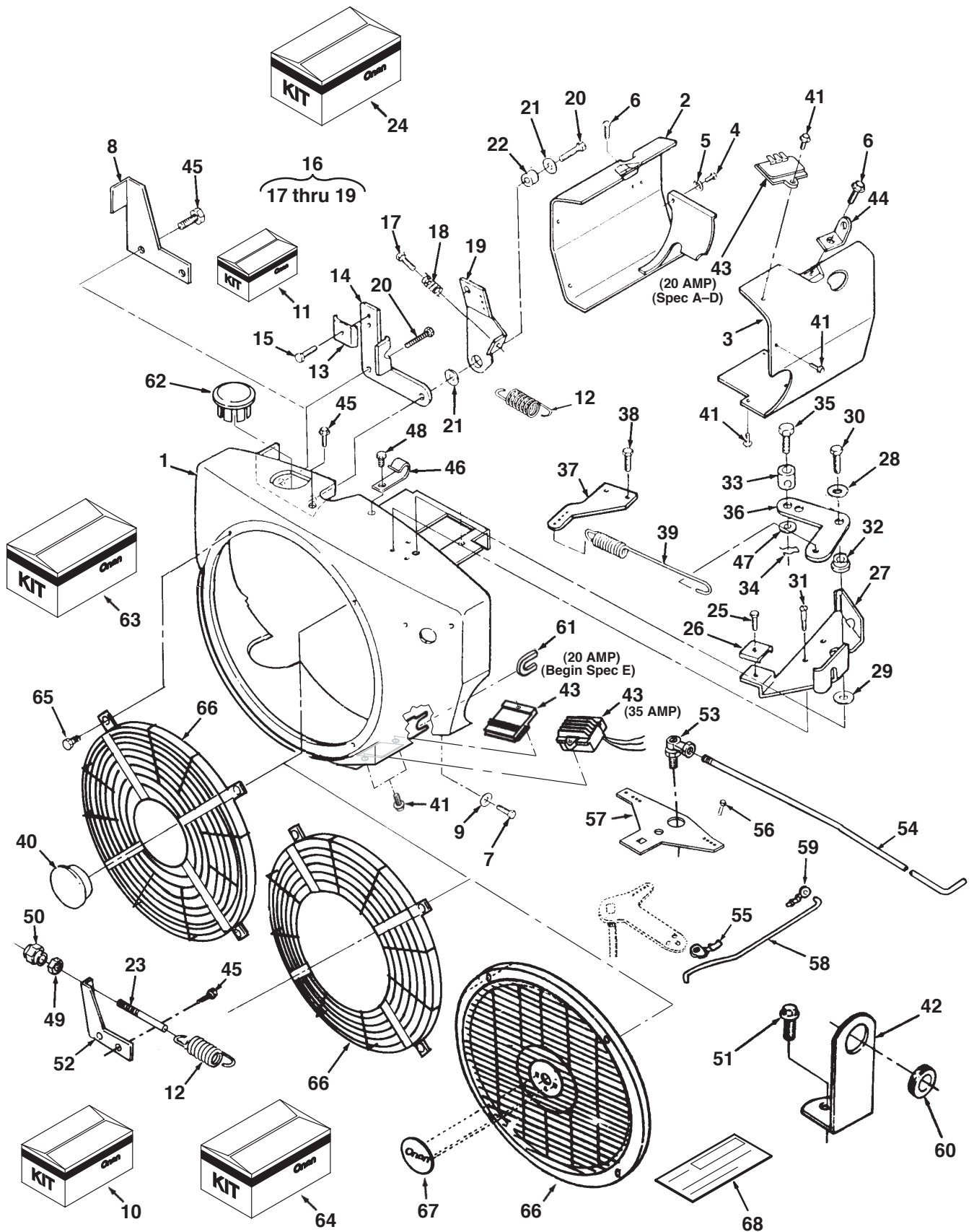
## Fuel System Dual Fuel



REF NO.	PART NO.	QTY USED	PART DESCRIPTION
1	154-0733	1	Gasket, Carburetor Mounting
2	140-2722-02	2	Spacer, Air Cleaner
3	800-0011	2	Screw, Hex Washer Head (1/4-20 x 2")
4	526-0018	2	Washer, Flat (1/4" Screw)
5	503-1606-05	1	Tube, Breather
6	503-1798-01	1	Hose, Fuel - 27" Long

REF NO.	PART NO.	QTY USED	PART DESCRIPTION
7	503-1133	2	Clamp, Hose
8	503-1882-04	1	Hose, Air Inlet
9	148-0981-02	1	Mixer, LPG
10	148-0984-02	1	Jet, Idle
11	149-2385	1	Tube, Idle Feed
12	332-1356	2	Clamp, Loop

# Blower Housing



## Blower Housing

REF NO.	PART NO.	QTY USED	PART DESCRIPTION	REF NO.	PART NO.	QTY USED	PART DESCRIPTION
1			Housing, Blower	20	815-0436	2	^Screw, Cap – Hex Washer Head (1/4–20 x 1/2”) – Code 13BJ
	134-4850	1	Without Oil Cooler (Spec B)				Washer, Flat (1/4” Screw)
	134-5001-50	1	Spec B-D	21			^ 3/4” OD – Code 13BJ
	134-4986-02	1	Spec E-G (Painted)		526-0021	2	5/8” OD – Code 13CD,13BJ
			Spec H		526-0018	2	
	134-4986-02	1	With Control Panel	22	150-1269	1	^Bushing, Governor Control Arm
			Code 39AG, 35CK,	23	150-0694	1	~Stud, Adjusting – Code 13CG
			and 35DB (With Harness)	24	541-0191	1	Kit, Front Pull Governor (Code 13BK) (Includes Parts Marked #)
	134-5127-02	1	Without Control Panel				
2			Housing, Cylinder Air – LH	25	815-0391	1	#Screw, Tapping – Hex Head (#10–32 x 1/2”)
	134-4668-50	1	Without Weld Nuts				
	134-4668-51	1	With Weld Nuts	26	153-0514	1	#Clamp, Throttle Cable
3			Housing, Cylinder Air – RH	27	150-1726-01	1	#Bracket, Governor Control Mounting – Zinc Plated
	134-4846-50	1	Without Weld Nuts				Washer, Flat (1/4” Screw)
	134-4846-51	1	With Weld Nuts	28	526-0021	1	Washer, Lock – Spring (1/4”)
4	815-0290	2	Screw, Tapping – Hex Washer Head (1/4–20 x 5/8”)	29	850-0040	1	#Screw, Cap – Hex Head (1/4–20 x 1”)
5	526-0021	2	Washer, Flat (1/4” Screw)	30	800-0007	1	#Screw, Hex Washer Head Tapping (8–15 x 1/2”)
6	821-0016	2	Screw, Cap – Hex Washer Head (5/16–18 x 3/4”)	31	815-0439	3	#Bushing, Governor Control
7	815-0337	3	Screw, Tapping – Hex Washer Head (1/4–20 x 3/4”)	32	150-1727	1	#Swivel, Throttle Lever
8	150-2264	1	Bracket, Governor Adjust (Plated) Code 13CG	33	152-0155	1	#Pin, Cotter
9	526-0018	4	Washer, Flat (1/4” Screw)	34	516-0059	1	#Screw, Machine – Hex Head (#8–32 x .318”)
10	541-0424	1	Kit, Fix Speed Governor (Code 13CG) (Includes Parts Marked ~)	35	815-0693	1	#Link, Governor Control
				36	150-1366	1	#Adapter, Governor Arm
				37	150-1754-01	1	#Screw, Hex Head W/ET (#10–32 x 1/2”)
11	541-0213	1	Kit, Side Pull Governor (Code 13BJ) (Includes Parts Marked ^)	38	815-0194	2	#Spring, Governor
12			Spring, Governor	39	150-1755	1	Plug, Black Nylon
	150-1214	1	~^ 5 Ball Governor	40			Code 23DE (57mm)
	150-1740	1	10 Ball Governor–Code 13CH		517-0261	1	Code 13BJ,13CD,15BB (23.4mm)
					517-0136	1	
13	153-0514	1	^Clamp, Cable – Code 13BJ	41	821-0008	4	Screw, Cap – Hex Washer Head (1/4–20 x 5/16”)
14	150-1725-01	1	^Bracket, Governor Mounting Code 13BJ	42	149-2242	1	Bracket, Fuel Line – Begin Spec C
15	815-0359	1	^Screw, Tapping – Hex Head (#10–32 x 1/2”) – Code 13BJ	43			Regulator, Voltage
16			Arm Assy, Governor Control				Spec A-D
	150-1761	1	^ Includes Parts Marked @ (Code 13CB)		191-2106	1	20 Ampere – Code 31AZ
	150-2504-01	1	Includes Parts Marked < (Code 13BN)		191-2227	1	20 Ampere – Code 31AZ
					191-1847	1	35 Ampere – Code 31BC
17			Screw, Hex Head	44	403-4202-02	2	Bracket, Lifting (Plated)
	815-0510	1	@ Tapping (#6–32 x 5/8”) Code 13BJ	45	821-0010	5	~Screw, Lock Head (1/4–20 x 1/2”)
	815-0563	1	< Thread Form (#6–32 x 1–3/8”) Side Pull Governor – Variable Speed	46	518-0515	1	Clip, Wire – Code 13BJ,13BK 13CD (Spec B thru G only)
				47	526-0006	1	#Washer, Flat (#12 Screw) Code 13BK
18	150-1398	1	<@ Spring, Idle Setting – Code 13BJ	48	815-0474	1	Screw, Hex Washer Head (1/4–14 x 1/2”) – Code 13BJ 13BK,13CD – Code 13CG (Spec B thru G only)
19			Arm, Governor Control (Without Swivel)				
	150-1576	1	@ Code 13BJ				
	150-1576-02	1	< Code 13DD				

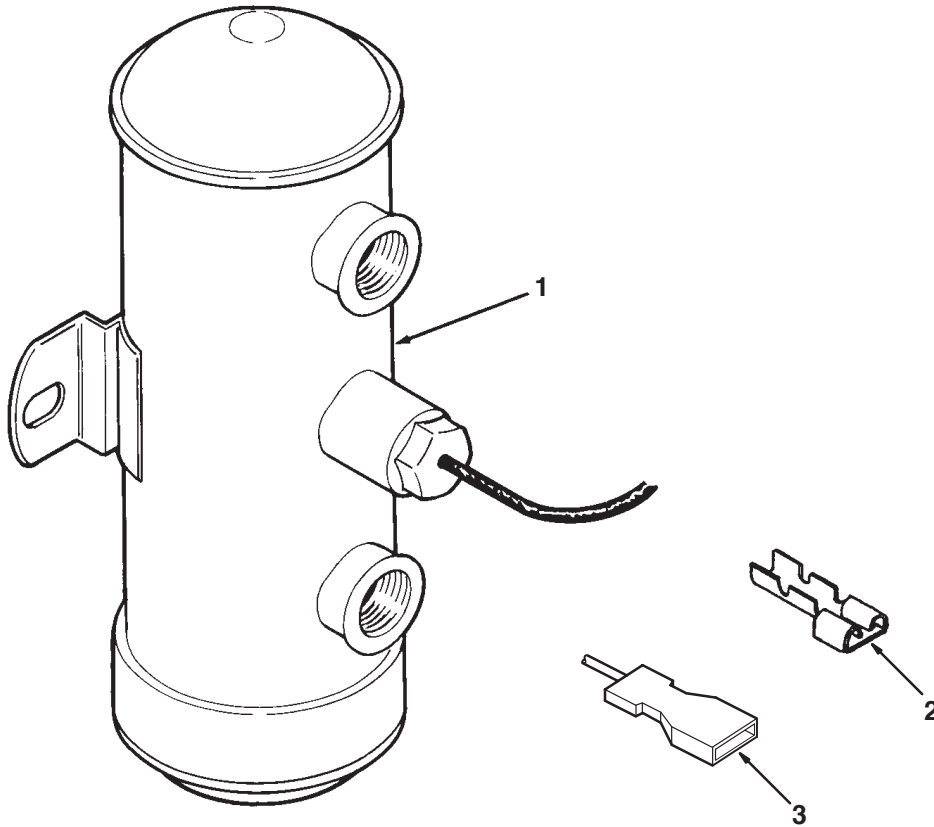




## Blower Housing

REF NO.	PART NO.	QTY USED	PART DESCRIPTION	REF NO.	PART NO.	QTY USED	PART DESCRIPTION
49	870-0131	1	~Nut, Hex – Governor Adjusting (W/ET 10-32) – Code 13CG	64	541-0369	1	Kit, Stationary Grill with PTO Access (Code 23ED) (Includes Parts Marked +)
50	150-0621	1	~Nut, Governor – Acorn,	65	815-0575	4	Screw Hex Washer Head (1/4-20 x 3/8")
51	815-0261	1	Screw, Hex Washer Head (1/4-20 x 1/2")				
52	150-2264	1	~Bracket, Governor Adjust – Zinc Plated – Code 13CG	815-0721	4	+*Pan Head – Taptite (Special) (10-32 x 1) Code 23DN, 13CD	
53	150-0639	1	Joint, Ball – Code 13CG	66	134-4689	1	Guard, Stationary No Center Hole
54	150-2364	1	Rod, Governor – Code 13CG				
55	518-0406	1	Clip, Retaining – Control Rod Code 13CG				
56	815-0181	1	Screw, Thread Cutting – Hex Head W/ET (#10-32 x 1/2")	134-4689-01	1	*Center Hole – 1" Dia.	
57	150-2388	2	Lever, Governor – Code 31AZ Begin Spec C	134-4689-02	1	+Center Hole – 3.88" Dia.	
58	150-2553	1	Rod, Governor Control (Zinc Plated)	67	99-2393	1	*Nameplate, Logo
59	518-0004	1	Clip, Retaining – Control Rod to Carburetor	68	98-4240	1	*+##^Label, Blank Kit Number
60	508-0021	1	Grommet, Rubber – Code 13BJ	# – Parts included in Front Pull Governor Kit. * – Parts included in Stationary Grill Kit without PTO Access. + – Parts included in Stationary Grill Kit with PTO Access. ^ – Parts included in Side Pull Governor Kit. @ – Parts included in 150-1761 Governor Control Arm Assy. < – Parts included in 150-2504-01 Gov. Control Arm Assy. ~ – Parts included in Fixed Speed Governor Kit.			
61	508-0331	1	Grommet, Rubber – 20, 35 Amp Voltage Regulator Harness – Begin Spec E				
62			Plug, Hole – Code 19AV				
	517-0252	1	Plated				
	517-0174	1	Tapered				
63	541-0296	1	Kit, Stationary Grill Without PTO Access (Code 23DN) (Includes Parts Marked *)				

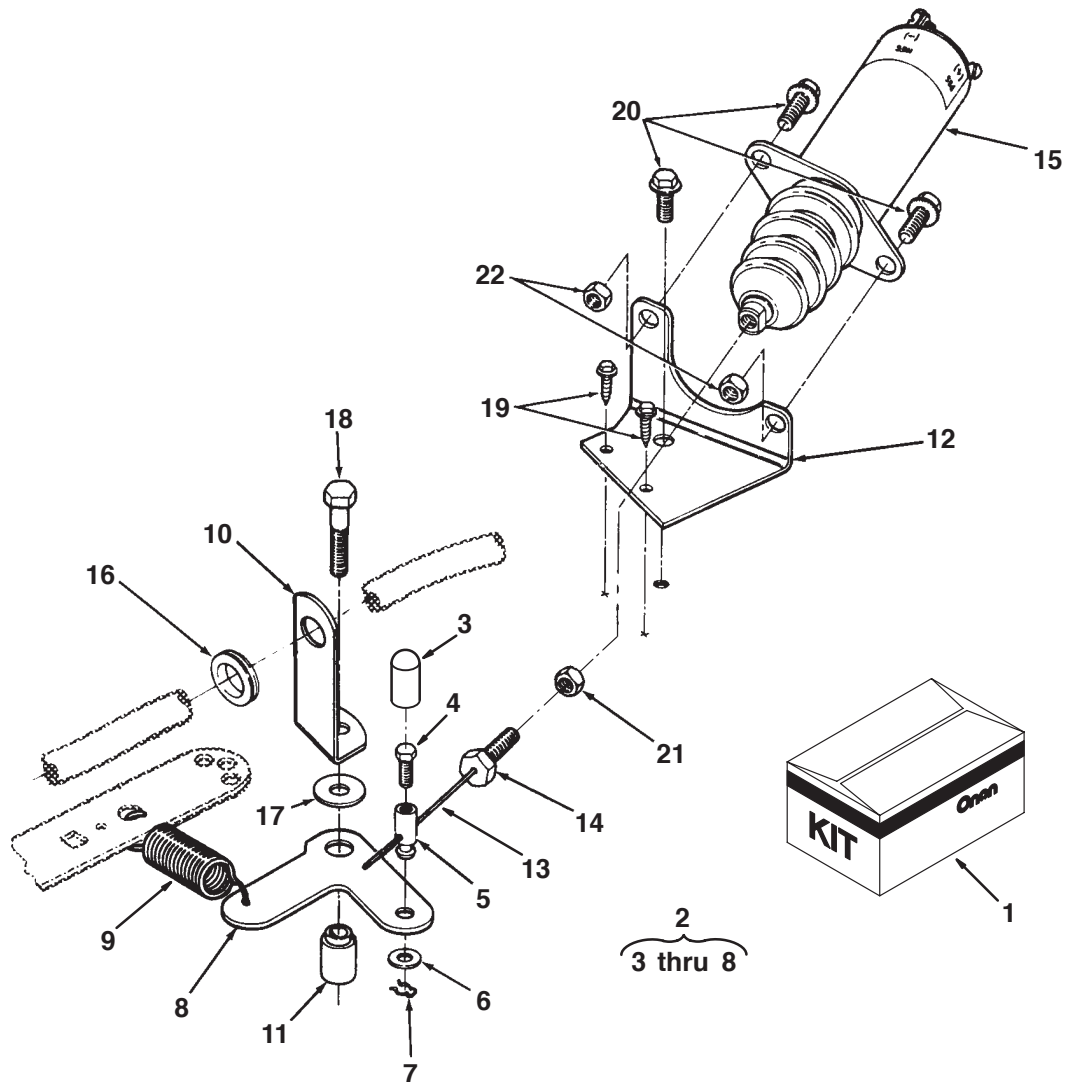
## Remote Fuel Pump (Electric)



REF NO.	PART NO.	QTY USED	PART DESCRIPTION
1	149-1828	1	Kit, 12 Volt Electric Fuel Pump (Includes Parts Marked *)
2	332-0529	1	*Terminal, Crimp
3	332-1993	1	*Terminal

\*- Parts included in 12 Volt Electric Fuel Pump Kit.

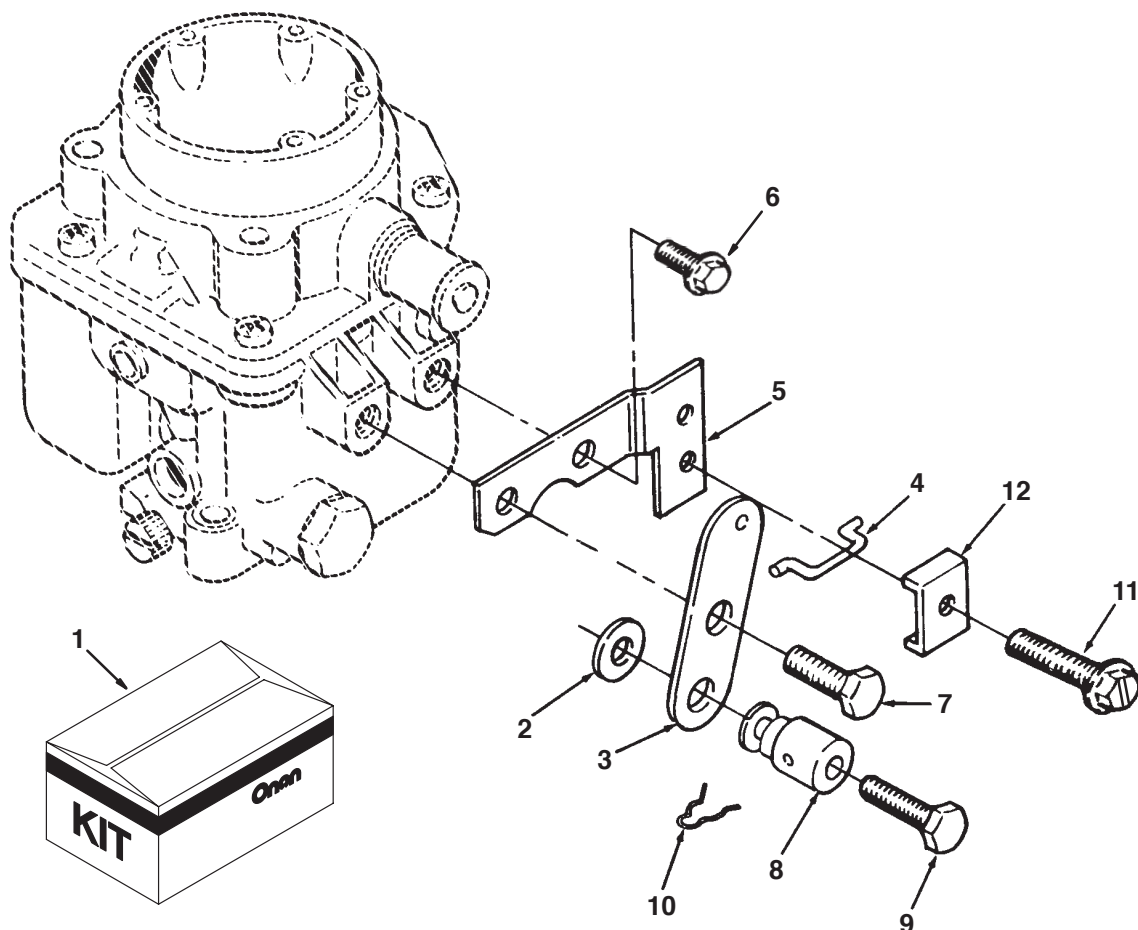
## Two Speed Governor (Code 13BF)



REF NO.	PART NO.	QTY USED	PART DESCRIPTION	REF NO.	PART NO.	QTY USED	PART DESCRIPTION
1	541-0418	1	Kit, 2 Speed, 12 Volt Solenoid Governor (Code 13BF) (Includes Parts Marked *)	15	307-2758	1	* Solenoid, Governor
2	150-2545	1	Bracket Assembly, Governor (Includes Parts Marked #)	16	508-0021	1	* Grommet, Fuel Line Bracket
3	517-0177	1	# Plug, Cap	17	526-0021	1	* Washer, Flat (1/4" Screw)
4	800-4072	1	** Screw, Machine – Hex Head (M4)	18	800-0007	1	* Screw, Cap – Hex Head (Special)
5	153-0632	1	** Swivel, Choke Lever	19	815-0439	2	* Screw, Cap – Hex Washer Head (#8-15 x 1/2")
6	526-0006	1	** Washer, Flat (#12 Screw)	20	821-0010	3	* Screw, Lock Head (1/4-20 x 1/2")
7	516-0059	1	** Pin, Cotter	21	115-0025	1	* Nut, Hex (1/4-28)
8	150-2498	1	** Bracket, Governor	22	870-0212	2	* Nut, Lock (1/4-20)
9	150-1740	1	* Spring, Governor (Low Speed)	23	E-350	1	* Sheet, Instruction (Not Shown)
10	149-2242	1	* Bracket, Fuel Line				
11	150-1727	1	* Bushing, Governor Control				
12	150-2499	1	* Bracket, Solenoid Mounting				
13	153-0678	1	* Cable Assy (Includes Screw)				
14	815-0800	1	* Screw, Hex Head – Grade 5 (1/4-28 x 1") (Included in Cable Assy)				

\* – Parts included in 2 Speed, 12 Volt Solenoid Governor Kit.  
# – Parts included in Governor Bracket Assembly.

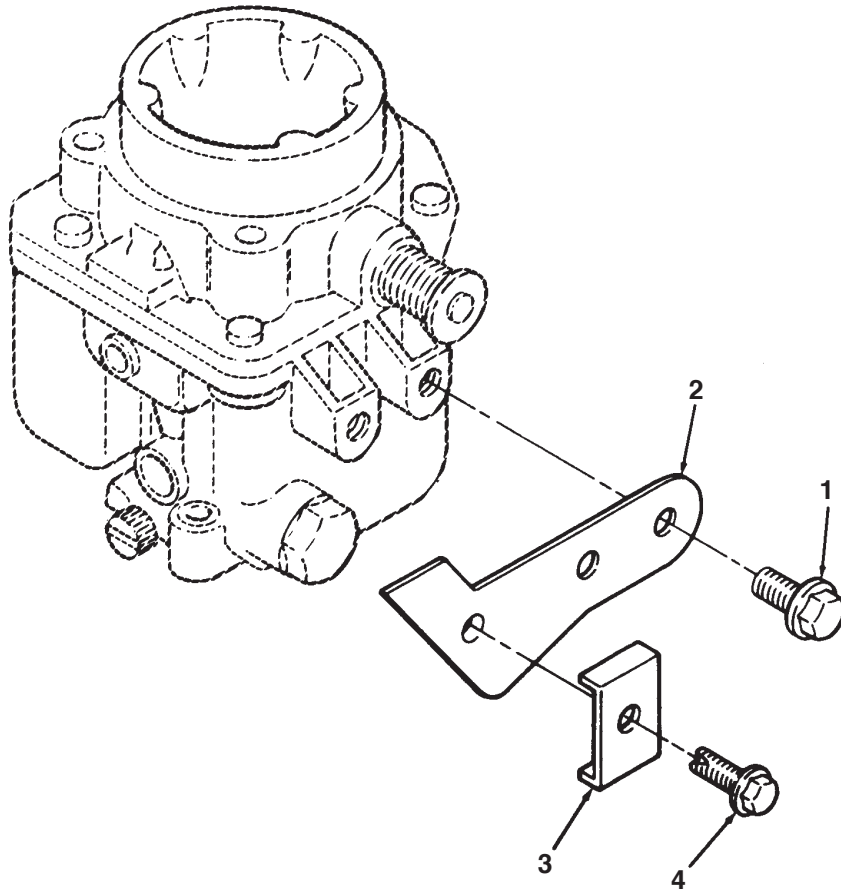
## Choke Control (Front Pull)



REF NO.	PART NO.	QTY USED	PART DESCRIPTION	REF NO.	PART NO.	QTY USED	PART DESCRIPTION
1	541-0190	1	Kit, Front Pull Choke (Includes Parts Marked *) Code 15BJ	9	815-0693	1	*Screw, Machine – Hex Head (#8-32 x.3/8")
2	526-0140	2	*Washer, Flat (#10 Screw)	10	516-0059	1	*Pin, Cotter
3	153-0523	1	*Lever, Choke	11	815-0359	1	*Screw, Tapping – Slotted Hex Washer Head (#10-32 x 7/8")
4	153-0500	1	*Link, Choke	12	153-0514	1	*Clip, Choke Cable
5	153-0524	1	*Bracket, Choke Cable				
6	821-0004	1	*Screw, Cap – Hex Washer Head (#10-32 x 5/16")				
7	815-0820	1	*Screw, Shoulder (#10-32 x 3/8")				
8	152-0155	1	*Swivel, Choke Lever				

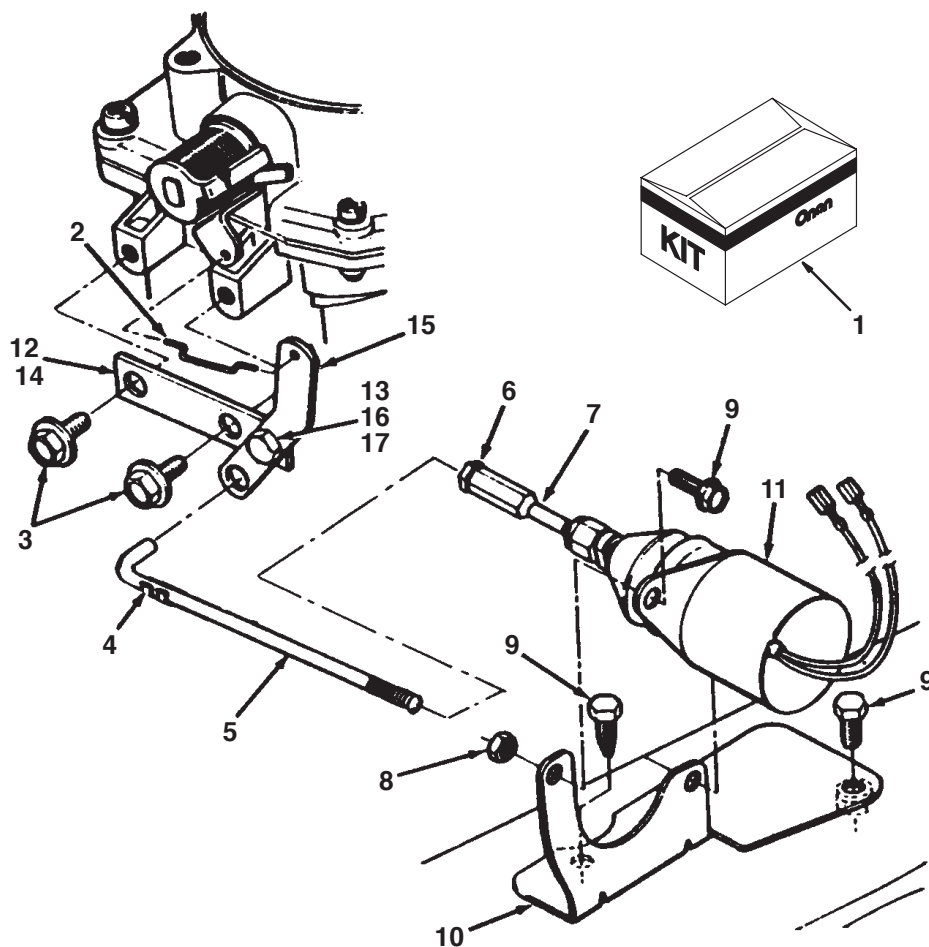
\*- Parts included in Front Pull Choke Kit

## Choke Control (Rear Pull)



REF NO.	PART NO.	QTY USED	PART DESCRIPTION	REF NO.	PART NO.	QTY USED	PART DESCRIPTION
1	821-0004	2	Screw, Cap – Hex Washer Head (10-32x5/16")	3	153-0514	1	Clip, Choke Cable
2	153-0686-02	1	Bracket, Choke Cable	4	815-0359	1	Screw, Tapping – Slotted Hex Washer Head (#10-32 x 7/8")

## Remote Choke Spec C

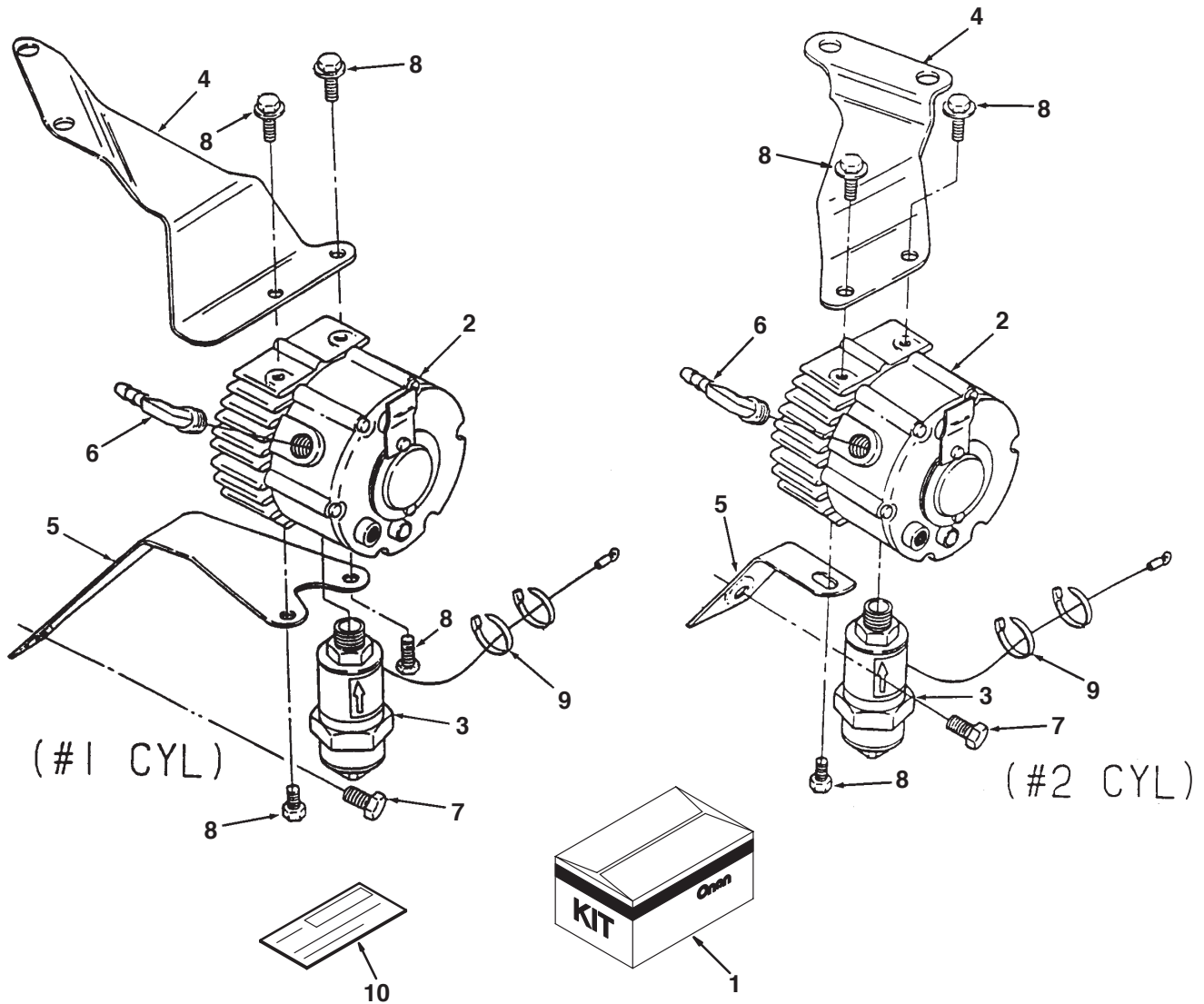


REF NO.	PART NO.	QTY USED	PART DESCRIPTION	REF NO.	PART NO.	QTY USED	PART DESCRIPTION
1	541-0412	1	Kit, Remote Choke (Includes Parts Marked +) Code 15CK	12	153-0642	1	+Bracket Assy, Choke (Includes Parts Marked *)
2	153-0500	1	+Link, Choke	13	526-0008	2	*Washer, Flat (#10 Screw)
3	821-0004	2	+Screw, Lk H (#10-32 x 3/8")	14	150-2480	1	*Bracket, Choke
4	518-0006	1	+Clip, Lock	15	150-2531	1	*Lever, Choke
5	150-2478	1	+Rod, Choke	16	815-0480	1	*Screw, Pan Head Shoulder (#10-32)
6	870-0053	1	+Nut, Hex Mach (10-32)	17	870-0298	1	*Nut, Lock (#10-32)
7	150-2481	1	+Joint, Ball				
8	870-0212	2	+Nut, Self Lk (1/4-20)				
9	815-0290	4	+Screw, HWH THD Form (1/4-20 x 5/8)				
10	307-2751	1	+Bracket, Solenoid				
11	307-2750	1	+Solenoid, 12 Volt				

+ - Parts included in Remote Choke Kit.  
\* - Parts Included in Choke Bracket Assy.



## LPG Converter Kit

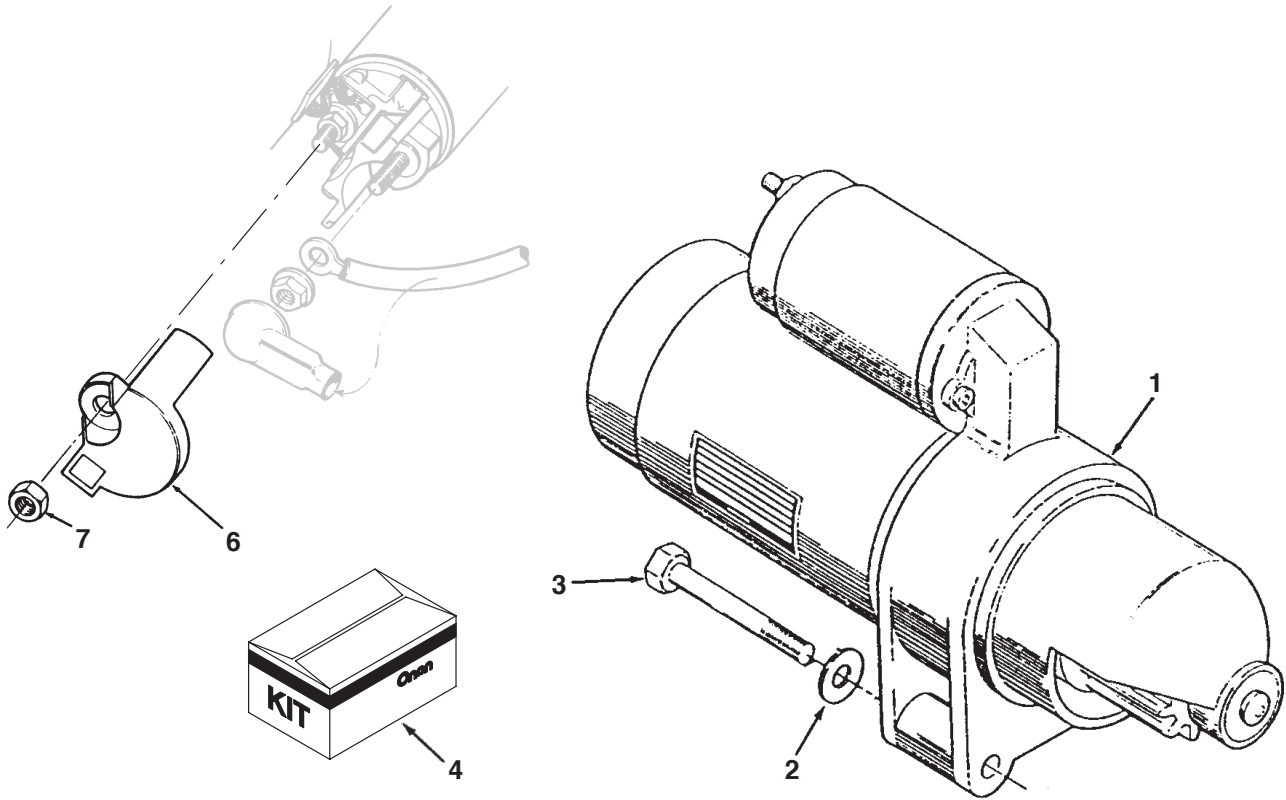


REF NO.	PART NO.	QTY USED	PART DESCRIPTION	REF NO.	PART NO.	QTY USED	PART DESCRIPTION
1	541-0442	1	Kit, LPG Converter #1 Cylinder Mounting (Includes Parts Marked *)	7	815-0293	1	*@ Screw, Hex Washer Head Thread Forming (1/4-20 x 3/4")
	541-0443	1	#2 Cylinder Mounting (Includes Parts Marked @)	8			Screw, Hex Head Cap (1/4-20 x 5/8")
2	148-1025	1	*@ Converter, LPG		821-0018	4	* #1 L.H. - Cylinder
3	307-2754	1	*@ Shut Off, Fuel Solenoid		821-0018	3	@ #2 R.H. - Cylinder
4			Bracket, Upper	9	332-1794	2	*@ Tie, Cable
	148-0973	1	* L.H. Mount (#1 Cyl)	10	98-4240	1	*@ Label, Blank Kit Number
	148-0975	1	@ R.H. Mount (#2 Cyl)	11	E-356	1	*@ Sheet, Instruction (Not Shown)
5			Bracket, Lower				
	148-0974	1	* L.H. Mount (#1 Cyl)				
	148-0976	1	@ R.H. Mount (#2 Cyl)				
6	502-1145	1	*@ Elbow, 90° Brass (1/2"NPT - 3/8 Barb)				

\* - Parts included in #1 Cylinder Mounting Kit.  
 @ - Parts included in #2 Cylinder Mounting Kit.



## Starter

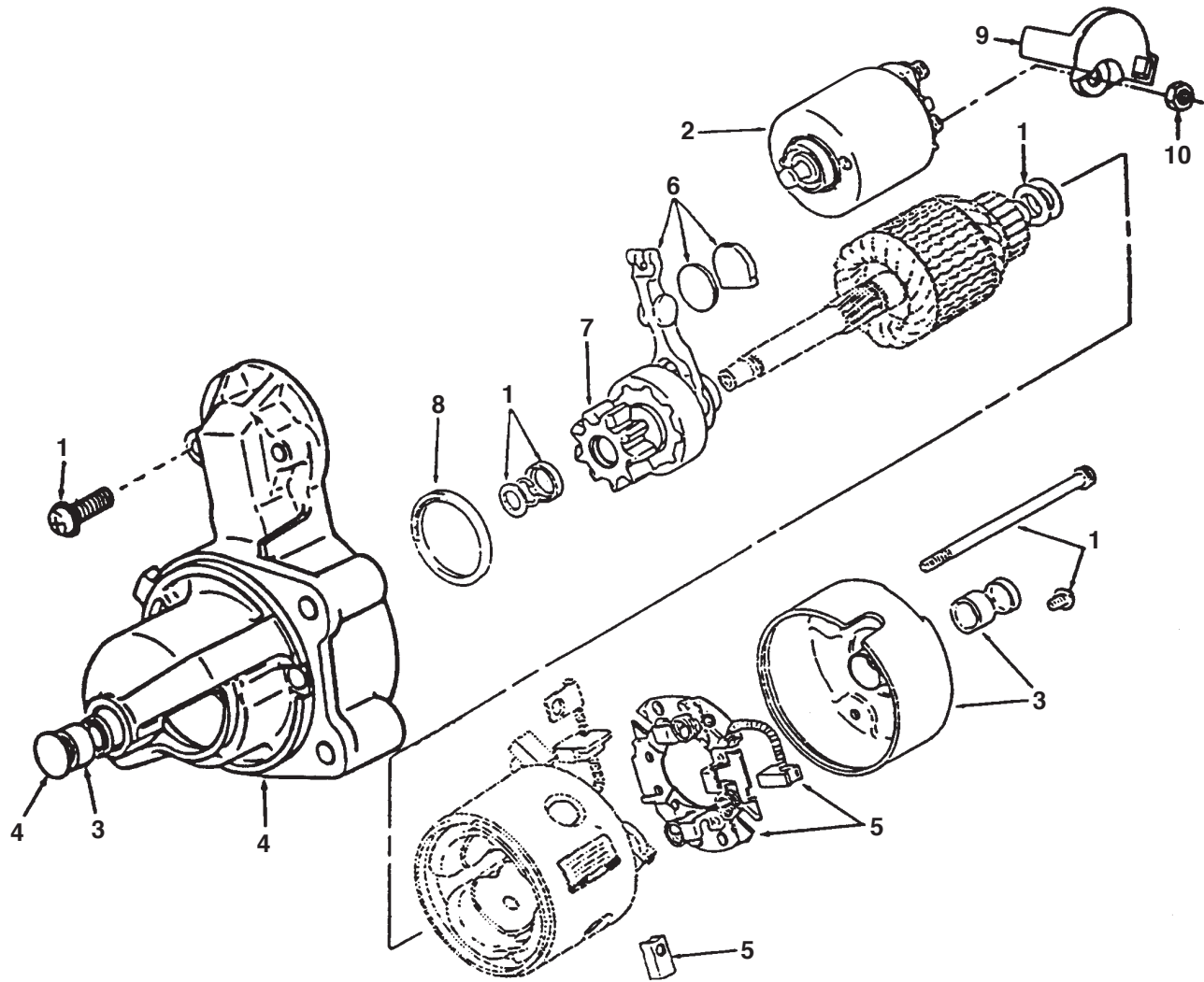


REF NO.	PART NO.	QTY USED	PART DESCRIPTION
1			Starter – Solenoid Shift (See Separate Page for Components)
	191-1949-04	1	Code 33AT
	191-1949-07	1	Code 33AW
2	526-0122	2	Washer, Flat (5/16" Screw)
3	800-0595	2	Screw, Cap Hex Head (5/16"-18 x 3-1/2")

REF NO.	PART NO.	QTY USED	PART DESCRIPTION
4	541-0411	1	Kit, Starter Cap (Includes Parts Marked *)
5	E-0342	1	*Sheet, Instruction (Not Shown)
6	191-1947	1	*Cap, Starter Solenoid
7	750-1006	1	*Nut, Hex

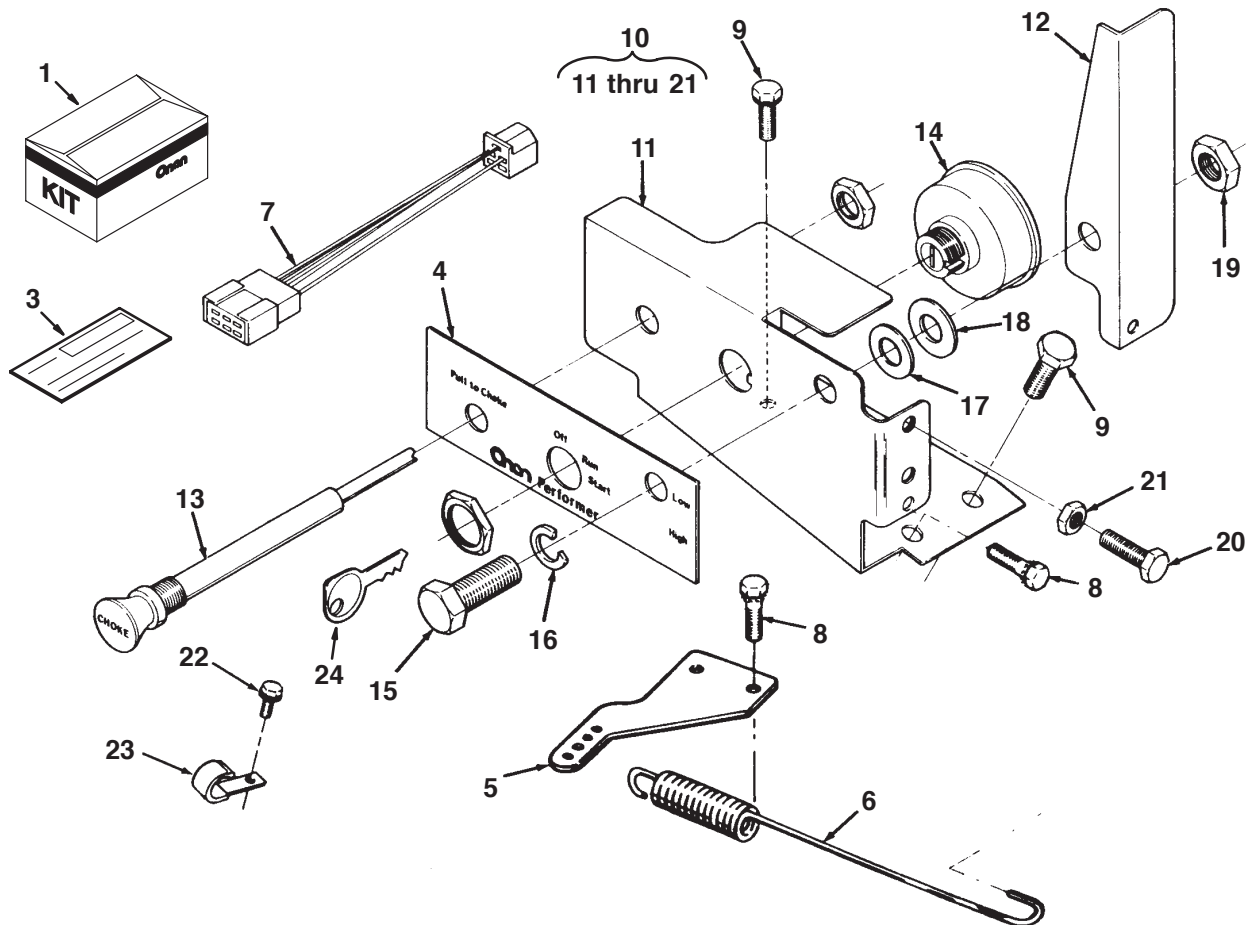
\* – Parts included in Starter Cap Kit.

## Starter Components



REF NO.	PART NO.	QTY USED	PART DESCRIPTION	REF NO.	PART NO.	QTY USED	PART DESCRIPTION
1	191-1954	1	Kit, Hardware – Starter (Includes (2) Solenoid Mtg Screws, 2 Thru Bolts, Armature Shims, Pinion Stop Collar, Retaining Ring and Solenoid Terminal Nuts)	5	191-1951	1	Kit, Brush – Starter (Includes (2) Negative and (2) Positive Brushes and Brush Holder)
2	191-1956	1	Kit, Solenoid – Starter (Includes Solenoid and Spring Plunger)	6	191-1766	1	Kit, Shift Lever – Starter (Includes Lever, Wear Plate, Rubber Plug and Grease)
3	191-1931	1	Kit, Bushing – Starter (Includes Rear Cap with Bushing and Front Bushing)	7	191-1953	1	Kit, Clutch – Starter (Includes Pinion Gear, Clutch Assy & #8)
4	191-1950	1	Kit, Mounting Bracket (Includes Front Bracket, Front Bushing, Dust Seal, Thrust Washer, Cap Plug and OD Pinion Seal)	8	191-1955	1	Kit, Dust Seal (Includes ID, OD Pinion Seals)
				9	191-1947	1	Cap, Starter Solenoid
				10	750-1006	1	Nut, Hex – Metric (M8)

## Control Panel

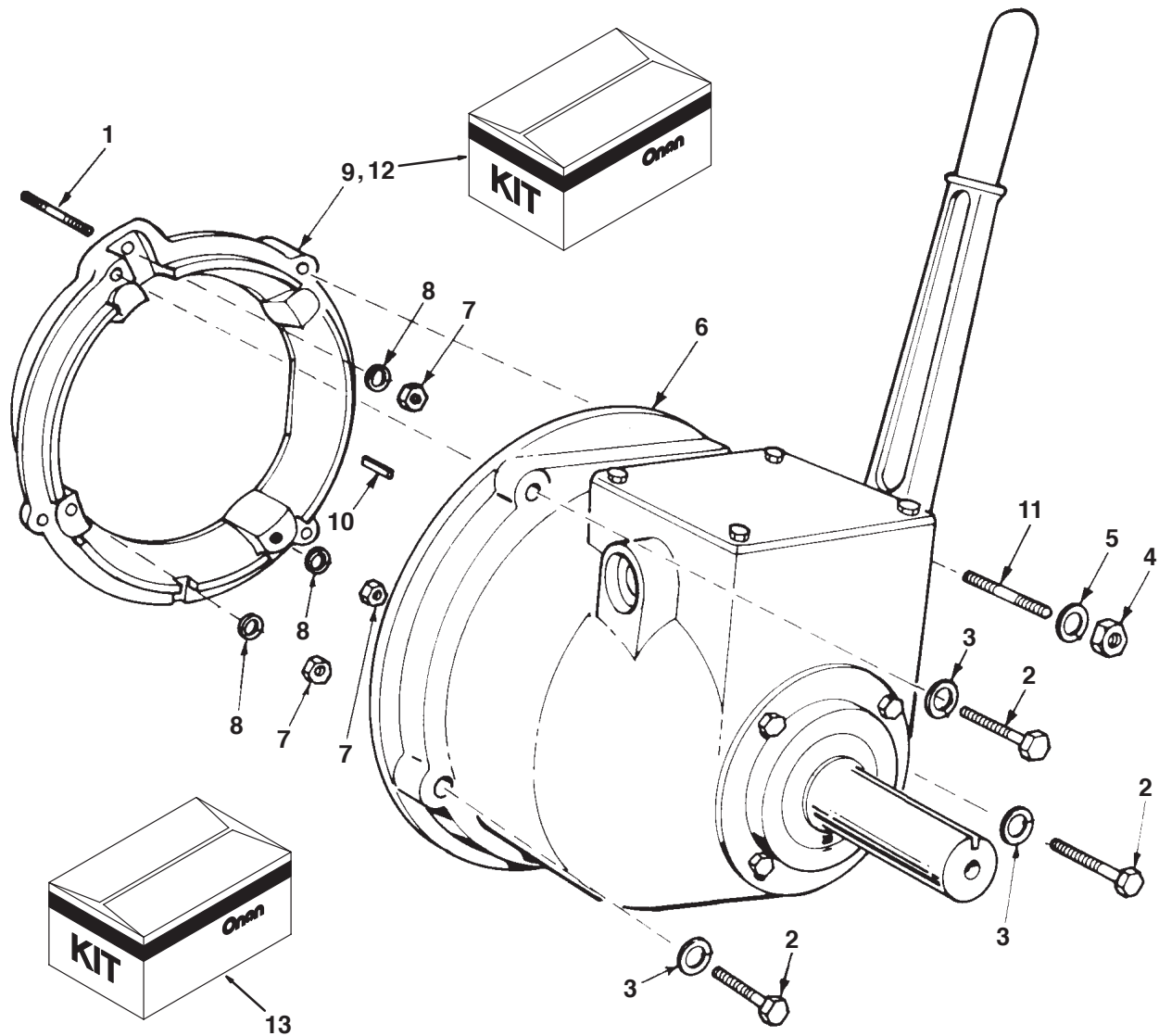


REF NO.	PART NO.	QTY USED	PART DESCRIPTION	REF NO.	PART NO.	QTY USED	PART DESCRIPTION
1			Kit, Control Panel (Includes Parts Marked #) Code 35 DB	10	301-9965	1	#Panel Assy, Control (Includes Parts Marked *)
	541-0240	1	Control Panel Kit With Oil Pressure Switch	11	301-9964-51	1	*Panel, Control
	541-0194	1	Control Panel Kit Without Oil Pressure Switch	12	150-2184	1	*Lever, Control
2	E-0320	1	#Sheet, Instruction (Not Shown)	13	153-0606	1	*Choke, Manual
3	98-4240	1	#Label, Blank Kit Number	14	308-0385	1	*Switch, Ignition (Includes Keys)
4	98-5735	1	#Decal, Control Panel	15	800-0050	1	*Screw, Cap - Hex Head (3/8-16 x 1")
5			#Bracket, Governor	16	851-0029	1	*Washer, Lock (3/8")
	150-1754	1	Non-Plated	17	526-0029	1	*Washer, Flat (3/8" Screw)
	150-1754-01	1	Zinc Plated	18	508-0284	1	*Washer, Flat - Nylon (3/8" Screw)
6	150-1755	1	#Spring, Governor	19	870-0297	1	*Nut, Lock (3/8-16)
7			#Harness, Control Panel Wiring (See Separate Page for Components)	20	815-0650	2	*Screw, Hex Washer Head (1/4-20 x 1")
	338-2108	1	Units With Oil Pressure Switch (4 Leads)	21	862-0001	2	*Nut, Hex (1/4-20)
	338-2109	1	Units With/Out Oil Pressure Switch (2 Leads)	22	815-0474	1	Screw, Hex Washer Head (1/4-14 x 1/2") (Spec B thru G only)
8	815-0194	2	#Screw, Hex Head - Thread Cutting W/ET - Panel Mounting (#10-32 x 1/2")	23	518-0515	1	Clamp, Cable (Spec B thru G only)
9	821-0009	2	#Screw, Hex Washer Head Self-Lock (1/4-20 x 3/8")	24	308-0386	1	Key

# - Parts included in Control Panel Kit.

\* - Parts included in Control Panel Assembly.

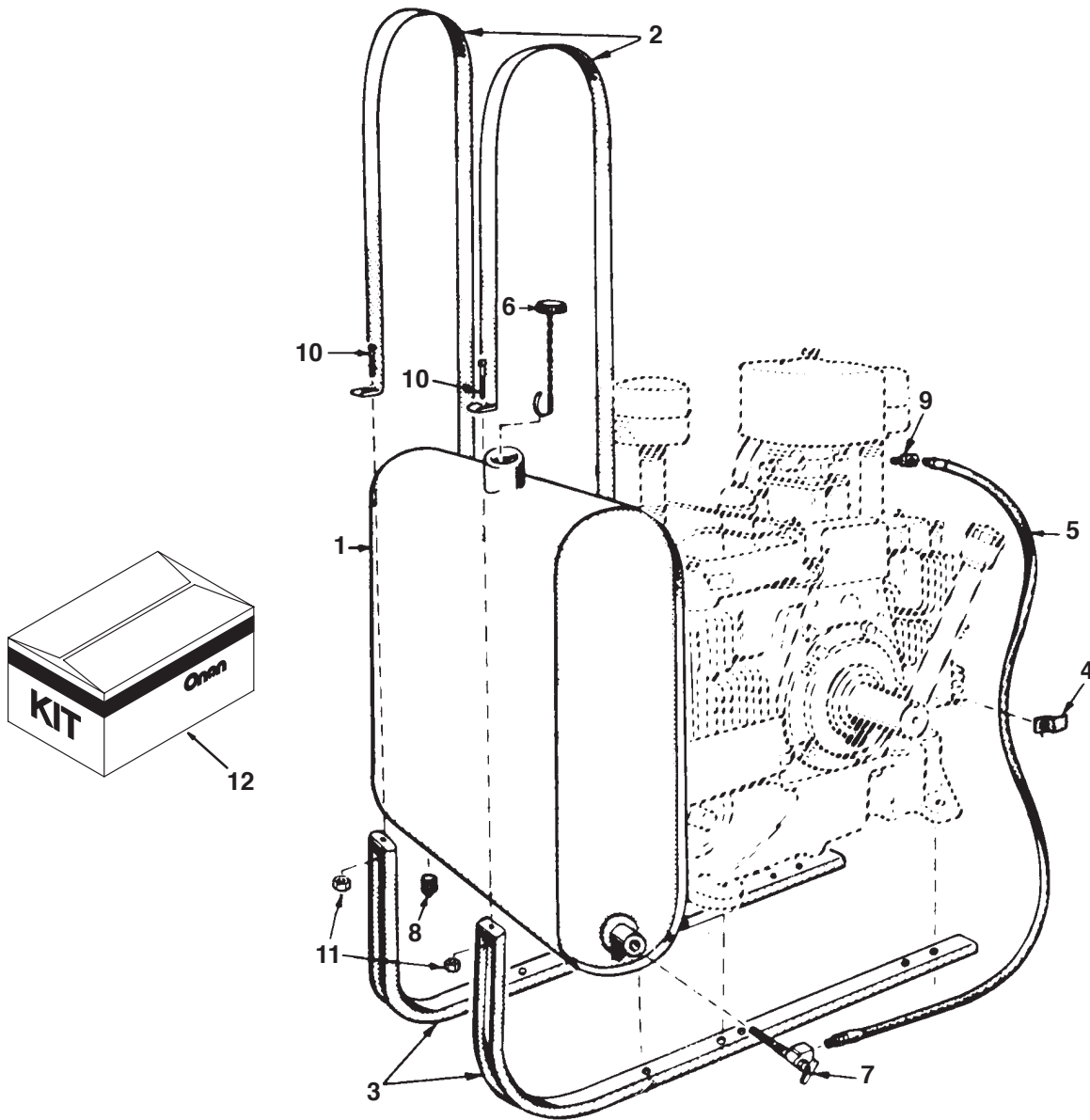
# Clutch



REF NO.	PART NO.	QTY USED	PART DESCRIPTION	REF NO.	PART NO.	QTY USED	PART DESCRIPTION
1	520-0739	3	#Stud (3/8-24 x 3/8-16 x 3")	10	515-0041	1	#Key, Drive - Special
2	800-0075	3	#Screw, Cap - Hex Head (7/16-14 x 2")	11	520-0738	1	#Stud (3/8-24 x 3/8-16 x 4")
3	850-0055	3	#Washer, Lock - Spring (7/16")	12	190-0597	1	Kit, PTO Electric Clutch Adapter Code 45BA
4	104-0091	1	#Nut, Hex - Hardened	13	190-0289	1	Kit, Clutch (Includes Parts Marked #)
5	850-0050	1	#Washer, Lock - Spring (3/8")				
6	190-0288	1	#*Clutch				
7	104-0091	4	#Nut, Hex - Hardened				
8	850-0050	3	#Washer, Lock - Spring (3/8")				
9	190-0171	1	#Adapter, Clutch				

\* - For Components, check nameplate and contact nearest Rockford Clutch Dealer.  
 #- Parts Included in Clutch Kit.

## Fuel Tank (Side Mounted)

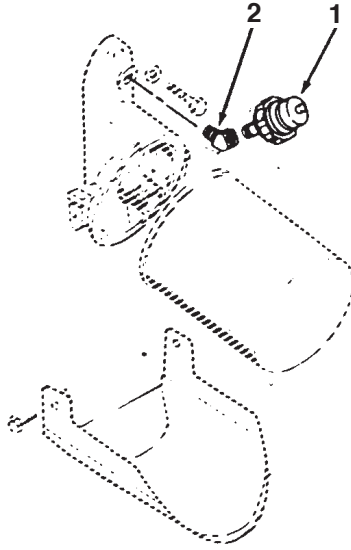


REF NO.	PART NO.	QTY USED	PART DESCRIPTION	REF NO.	PART NO.	QTY USED	PART DESCRIPTION
1	159-0981	1	*Tank, Fuel (Less Cap) * (3.75 Gallon)	9	505-0041	1	*Elbow, 90° – Carburetor Inlet
2	159-0596	2	*Strap, Fuel Tank	10	813-0108	2	*Screw, Machine – Round Head (#10-32 x 1-1/2")
3	159-0595	2	*Bracket, Fuel Tank	11	870-0053	2	*Nut, Hex (#10-32)
4	134-0599	1	*Clip, Line – Fuel	12	159-0597	1	Kit, Fuel Tank (Side Mounting) (Includes Parts Marked *)
5	501-0008	1	*Line, Fuel				
6	159-0020	1	*Cap, Fuel Tank				
7	504-0013	1	*Valve, Shut-off				
8	505-0057	1	*Plug, Drain – Tank				

\*– Parts included in Side Mounting Fuel Tank Kit.

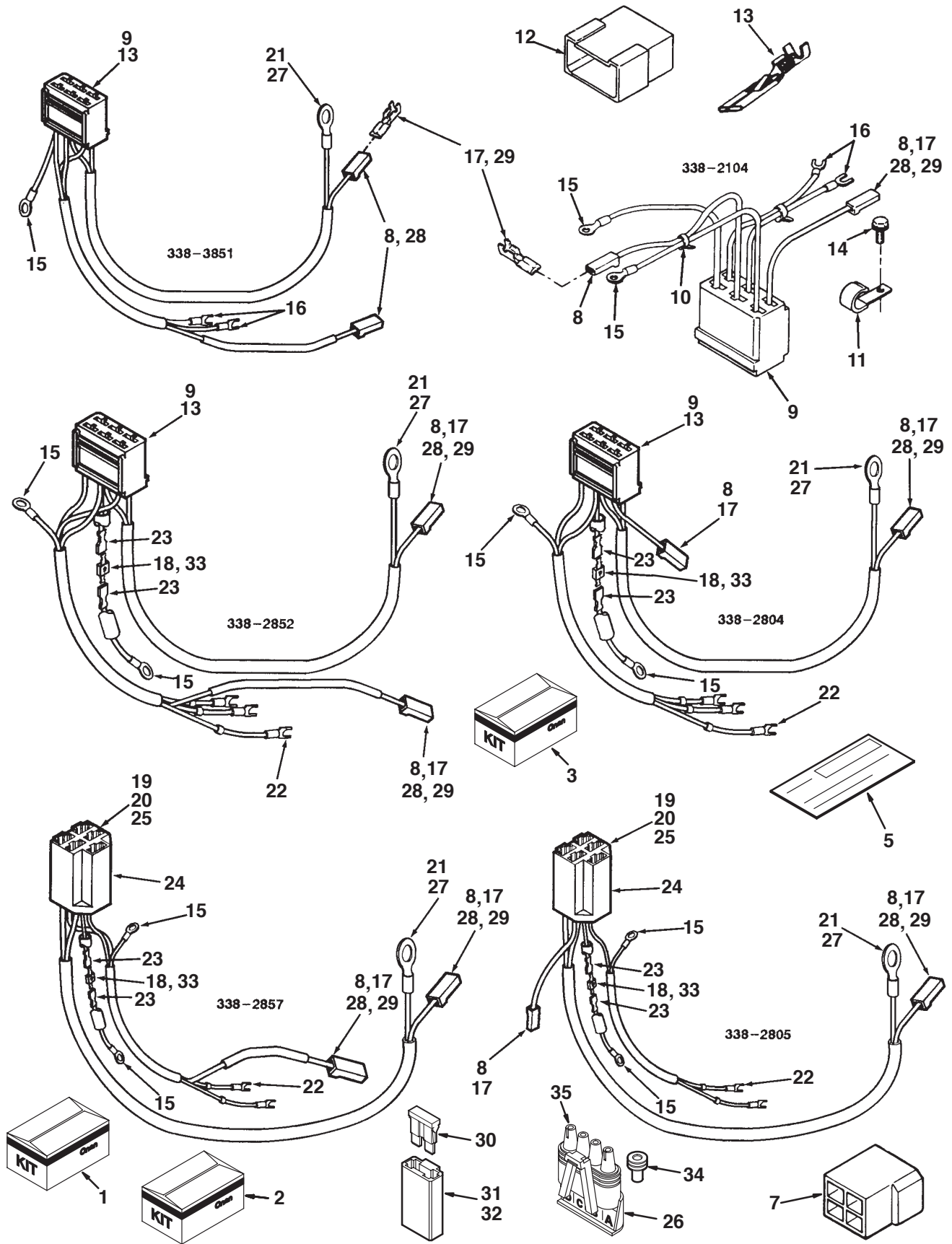


## Low Oil Pressure Cut-Off Switch



REF NO.	PART NO.	QTY USED	PART DESCRIPTION	REF NO.	PART NO.	QTY USED	PART DESCRIPTION
1	541-0235	1	Switch, Low Oil Pressure Kit, 1 Terminal Code 35AU Normally Closed 2.01" Long	541-0436-02			Kit, 3 Terminal – Code 35BV – Dual Circuit to Open/Close at 5 PSI
	309-0546	1	Screw On Connector	309-0583	1		Screw On Connector
	309-0615	1	Slip On Connector Code 35AH Normally Open – 2.06" Long	309-0646-04	1		Slip On Connector 3 Terminal – Code 35BV – Dual Circuit to Open/Close at 10 PSI
	309-0641-17	1	Screw On Connector	309-0609	1		Screw On Connector
	309-0646-01	1	Slip On Connector	309-0646-05	1		Slip On Connector
	541-0236	1	Kit, 2 Terminal Code 35AV Normally Open – 1.87" Long	2	502-0053	1	Elbow, 45° Street – Spec A-D Code 35AH,35AV
	309-0641-18	1	Screw On Connector				
	309-0646-02	1	Slip On Connector				
	541-0319		Kit, 2 Terminal Code 35BW One Terminal Normally Open One Terminal Normally Closed				

# Wiring Harness

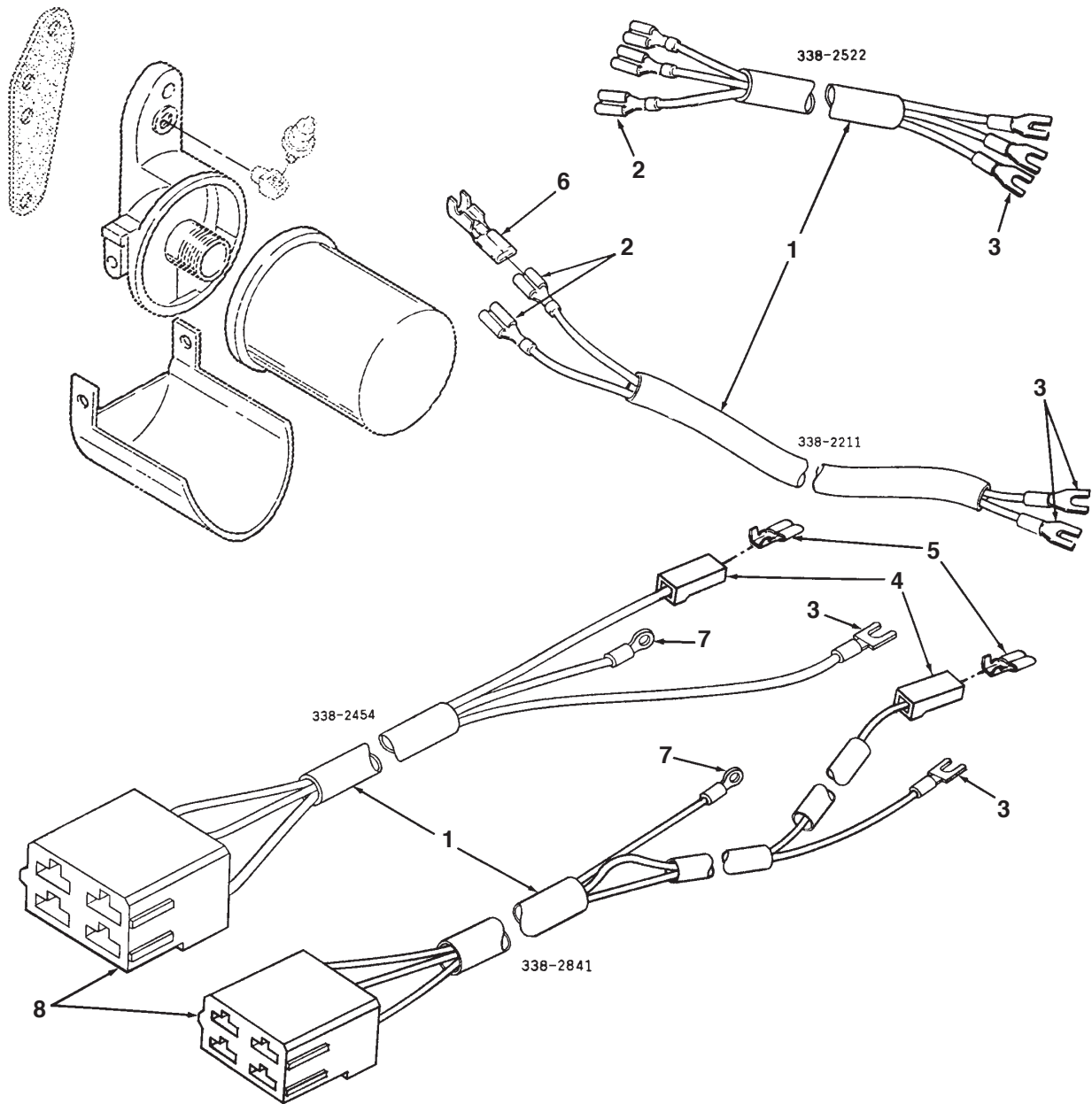




## Wiring Harness

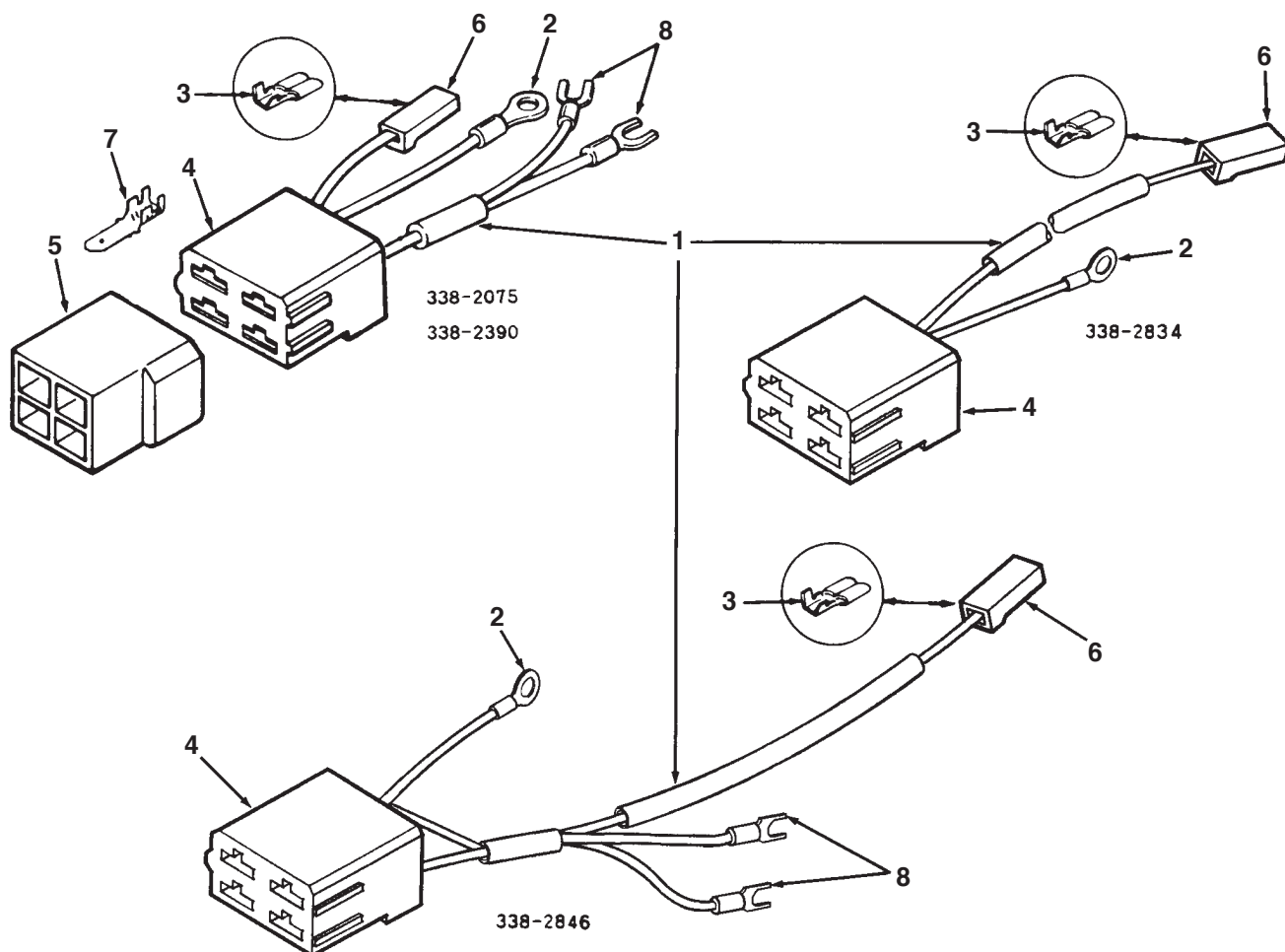
REF NO.	PART NO.	QTY USED	PART DESCRIPTION	REF NO.	PART NO.	QTY USED	PART DESCRIPTION
			Harness, Wiring – Engine		338-3616	1	Unit With Push On Terminals To The LOP Switch (Includes Parts Marked ^)
			Units Without Pressure Switch (4 Leads) Code 35CH,35CJ, 35CK (Prior to Spec E)	1	541-0175	1	Kit, 4 Pin Harness Connector Code 35BB (Includes Parts Marked *)
338-2104-01		1	Screw On Connector				
338-3178-01		1	Slip On Connector	2	541-0195	1	Kit, 6 Pin Harness Connector Code 35BC (Includes Parts Marked +)
			Units With Pressure Switch (6 Leads) Code 35BC,35BZ (Prior to Spec E)	3	541-0437-02	1	Kit, 4 Wire, 6 Pin Wiring Harness (Begin Spec E) (Includes Parts Marked #)
338-2104-02		1	Screw On Connector				
338-3178-02		1	Slip On Connector				
			6 Pin Connector – 3 Terminal	4	E-364	1	#Sheet, Instruction (Not Shown)
			LOP Switch – Code 35CC (Prior to Spec E)	5	98-4240	1	#Label, Blank Kit Number
				6	E-0313	1	+*Sheet, Instruction (Not Shown)
338-2804-02		1	Screw On Connector	7	323-1382	1	*Housing, Tab (4-Way)
338-3185-02		1	Slip On Connector	8	332-0819	2	Housing, Connector – Push On
			6 Pin Connector – 2 Terminal	9	323-1386	1	Housing, Receptacle – 6 Way
			LOP Switch – Normally Open Code 35CC (Prior to Spec E)	10	332-1567	2	#+*Tie, Cable
				11	518-0515	1	#Clamp, Cable (1/2" Dia.) (Spec B thru G only)
338-2804-01		1	Screw On Connector	12	323-0916	1	#+Housing, Connector – Tab 6 Pin Terminal
338-3185-01		1	Slip On Connector	13			
			6 Pin/6 Wire Code 35BC, 35BZ– to Relocate Voltage Regulator Begin Spec E		332-2301	6	#+* Used with 20 Amp Charging System – 18 to 14 Gauge Wire
338-2851-02		1	Screw On Connector		332-1503	2	#+* Used with 35 Amp Charging System
338-3187-02		1	Slip On Connector				
			5 Pin Connector – 2 Terminal		332-2890	5	Code 35CC
			LOP Switch (Normally Open) Code 35CK (Prior to Spec E)	14	815-0474	1	Screw, Hex Washer Head (1/4-14 x 1/2") (Spec B thru G only)
338-2805		1	Screw On Connector	15	332-0806	2	^Terminal, Ring (#8)
338-3186		1	Slip On Connector	16	332-1303	5	Terminal, Spade (#10)
			6 Pin Connector – 2 Terminal	17	332-2715	2	Terminal, Receptacle
			LOP Switch Normally Open Begin Spec E – Code 35CC	18	357-0030	1	Rectifier, Silicon – Code 35CC
				19	332-3165	1	Receptacle, Lock
338-2852-01		1	Screw On Connector	20	332-3143	1	Receptacle, Lock
338-3188-01		1	Slip On Connector	21	332-1048	1	Terminal, Ring (.38)
			Pin Connector – 3 Terminal	22	332-2973	3	Terminal, Spade (#8)
			LOP Switch – Begin Spec E	23	332-1993	2	Terminal, Receptacle
			Code 35CC	24	323-0987	1	Body, Connector – Code 35CK
338-2852-02		1	Screw On Connector	25	332-2073	2	Terminal
338-3188-02		1	Slip On Connector	26	323-1451	1	^Housing, Receptacle (4 RCPT)
			6 Pin Connector – 4 Wire to Relocate Voltage Regulator Begin Spec E – Code 35CH, 35CJ, 35CK	27	332-2944	1	^Terminal, Ring (.312) Insulation
				28	323-1216	2	^Body, Connector
				29	332-2870-01	6	^Terminal, Receptacle (#.250)
				30	321-0291	1	^Fuse, 30 AMP
338-2851-01		1	Screw On Connector	31	323-1424	1	^Cap, Connector
338-3187-01		1	Slip On Connector	32	332-2922	2	^Terminal
338-3187-02		1	Use On Spec 11583H and Spec 11590H	33	357-0030	1	^Rectifier, Silicon
				34	323-1576	4	^Seal, Cable (Gray)
			5 Pin Connector – 2 Terminal	35	323-1607	4	^Contact, Socket
			Begin Spec E				
			With LOPKO Code 35CK				* – Parts included in 4 Pin Harness Connector Kit.
338-2857		1	Screw On Connector				+ – Parts included in 6 Pin Harness Connector Kit.
338-3189		1	Slip On Connector				# – Parts Included in 4 Wire, 6 Pin Wiring Harness Kit.
338-3376		1	Without LOPKO Code 35DB				^ – Parts included in 338-3616 Engine Wiring Harness.

## Wiring Harness Lopko



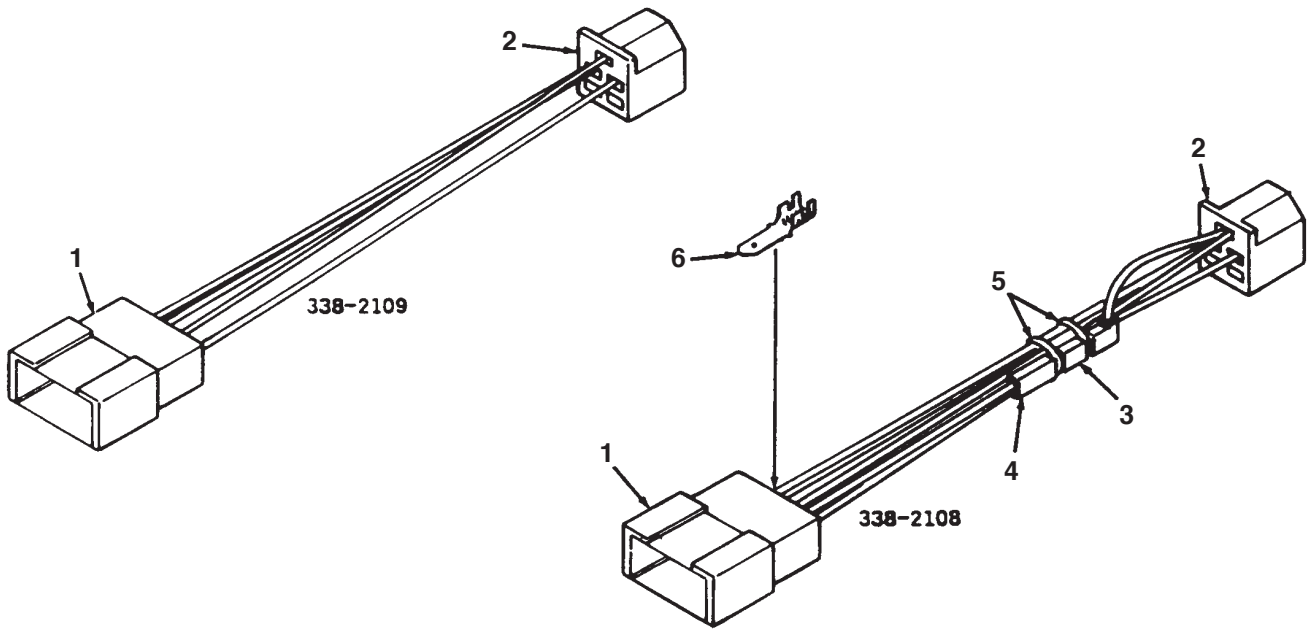
REF NO.	PART NO.	QTY USED	PART DESCRIPTION	REF NO.	PART NO.	QTY USED	PART DESCRIPTION
1			Harness, Wiring – Lopko Code 35BY – 4 Pin, 3 Wire – Ext. – Spec C	2	332-2890	3	Terminal, Receptacle
	338-2454	1	Screw On Connector	3	332-2973	1	Terminal, Spade (#10) Code 35BY
	338-3226-01	1	Slip On Connector		332-1303	3	Code 35BV
	338-2522	1	Screw On Connector	4	332-0819	1	Housing, Connector – Push On Code 35BY
	338-3332	1	Slip On Connector	5	332-2715	1	Terminal, Receptacle – Code 35BY
			Code 35BY – 4 Pin, 3 Wire – Begin Spec E	6	332-2301	2	Tab, Faston
	338-2841	1	Screw On Connector	7	332-0806	1	Terminal, Ring (#8) Code 35BY
	338-3182		Slip On Connector	8	323-1381	1	Housing, Receptacle – 4 Way Code 35BY

## Wiring Harness



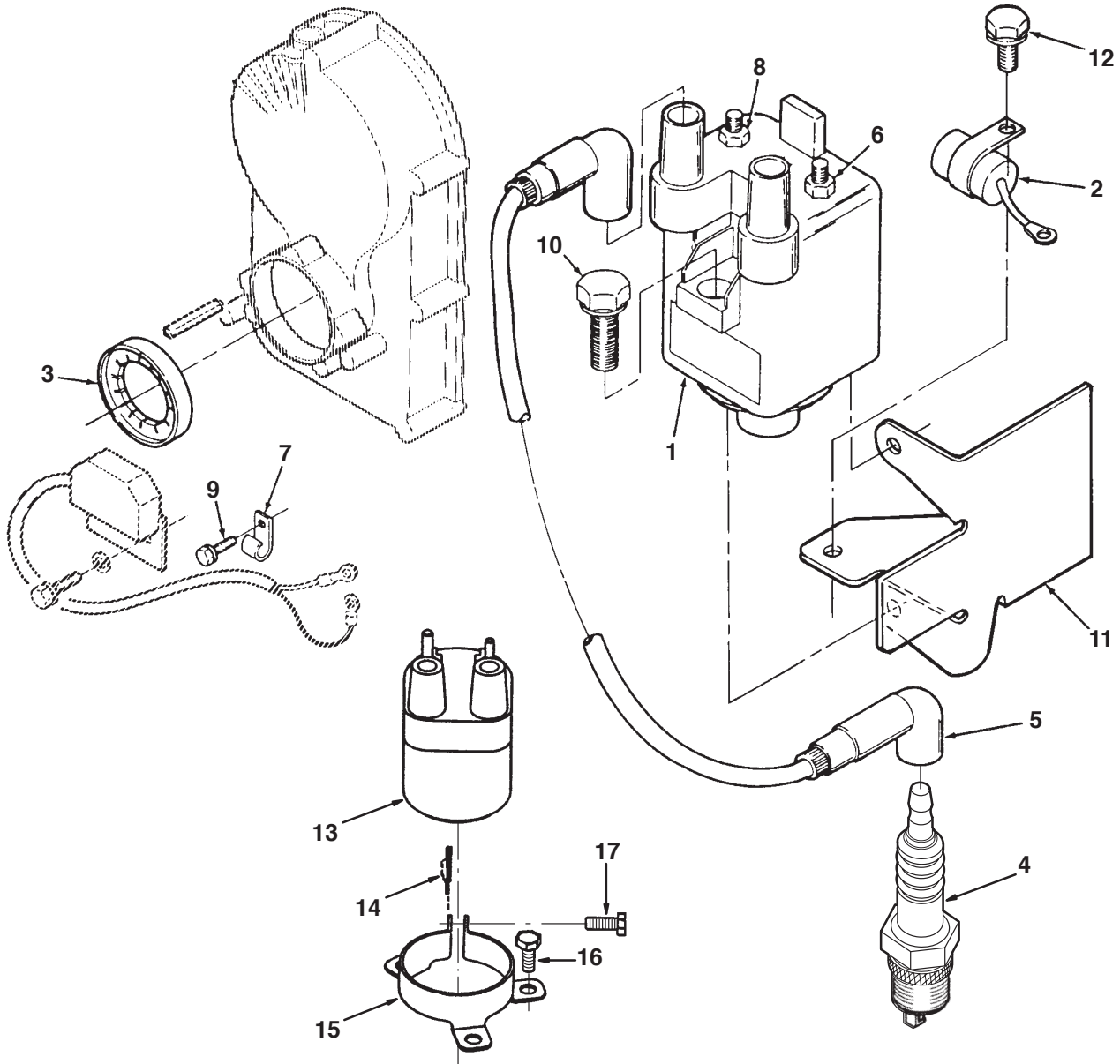
REF NO.	PART NO.	QTY USED	PART DESCRIPTION	REF NO.	PART NO.	QTY USED	PART DESCRIPTION
1			Harness, Wiring – Engine 4 Wire, 4 Pin Connector – Code 35BB,35BH	2	332-0806	1	Terminal, Ring(#8)
	338-2075	1	Screw On Connector	3	332-2715	5	Terminal, Receptacle (.250) Code 35BB, 35BH
	338-3179	1	Slip On Connector		332-2715	3	Code 35CG
	338-2390	1	2 Wire, 4 Pin Connector – Code 35CG	4	323-1381	1	Housing, Receptacle – 4 Way
			Relocate Voltage Regulator Begin Spec E – Code 35BB,35BH	5	323-1382	1	Housing, Tab – 4 Way
				6	332-0819	1	Housing, Receptacle
				7	332-2301	4	Terminal, Tab 20 Ampere Charging System
	338-2846	1	Screw On Connector		332-1503	1	35 Ampere Charging System
	338-3184	1	Slip On Connector	8	332-2973	2	Terminal, Spade (#8) Code 35BB,35BH
	338-2834	1	Relocate Voltage Regulator Begin Spec E – Code 35CG				

## Wiring Harness Control Panel



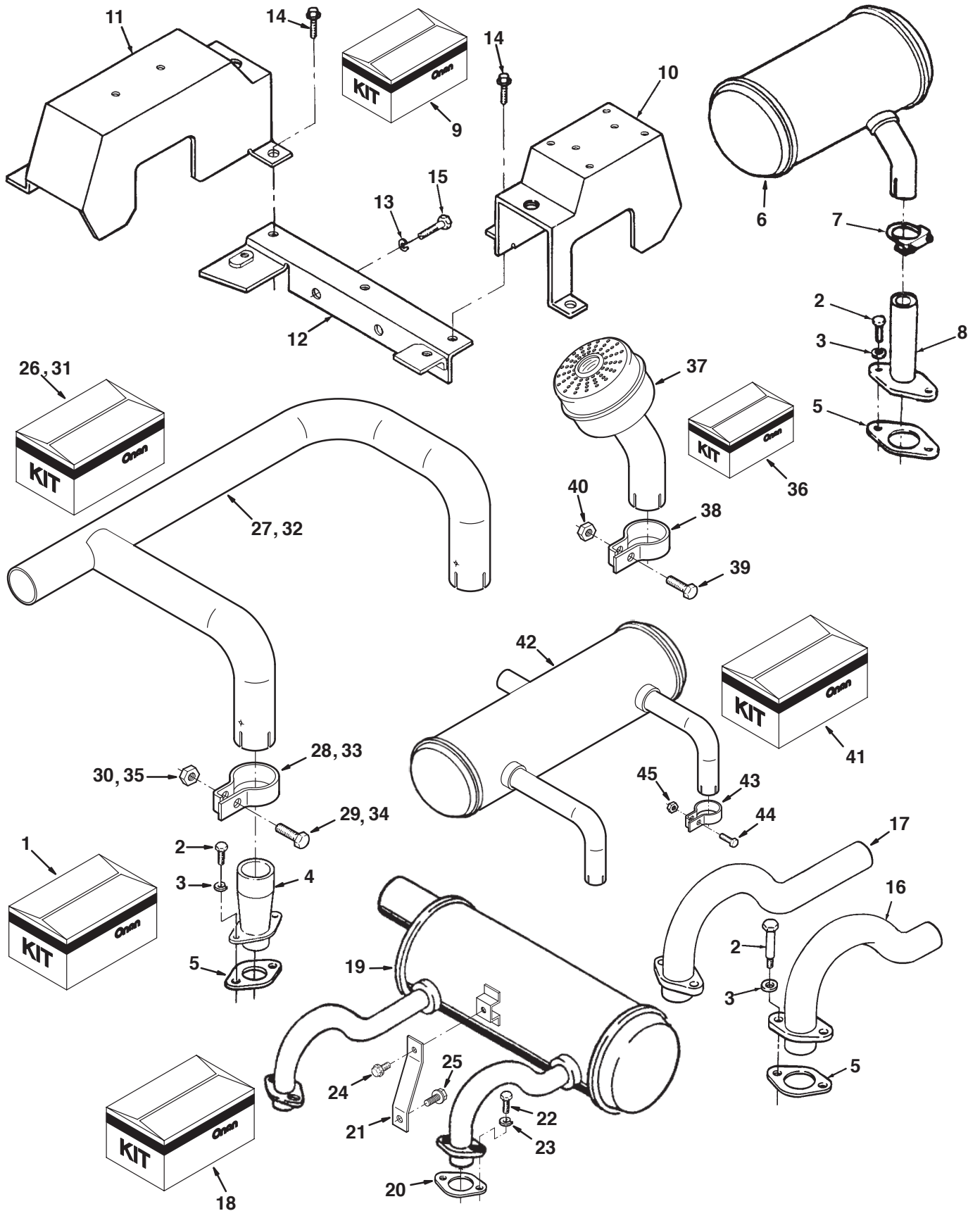
REF NO.	PART NO.	QTY USED	PART DESCRIPTION	REF NO.	PART NO.	QTY USED	PART DESCRIPTION
			Harness, Wiring – Control Panel	3	357-0030	1	Rectifier, LOPKO
	338-2109	1	Without LOPKO	4	323-1216	1	Body, Connector – LOPKO
	338-2108	1	Lopko	5	332-0942	2	Tie, Cable – LOPKO
1	323-0916	1	Connector	6			Terminal, Tab
2	323-0987	1	Body, Connector		332-2301	4	20 Ampere Charging System
					332-1503	2	35 Ampere Charging System

## Ignition – Electronic



REF NO.	PART NO.	QTY USED	PART DESCRIPTION	REF NO.	PART NO.	QTY USED	PART DESCRIPTION
1	166-0761	1	Coil, Battery Ignition (Includes Nuts) (Spec B Thru G)	11	166-0787-01	1	Bracket, Coil Mounting (Spec B Thru G)
2	312-0256	1	Capacitor	12	815-0261	1	Screw, Hex Washer Head (1/4-20 x 1/2")
3	166-0767	1	Rotor, Ignition	13	166-0820	1	Coil, Battery Ignition (Begin Spec H)
4	167-0272	2	Plug, Spark	14	518-0574	1	Clip (Begin Spec H)
5	167-1602	1	Cable, Spark Plug	15	134-5130-02	1	Clamp, Coil Mounting (Begin Spec H)
6	166-0770	1	Nut, Hex Flange (M4 Positive Terminal)	16	815-0261	3	Screw, Hex Washer Head Thread Forming (1/4-20 x 1/2")
7	518-0515	1	Clip, Wire (Spec B thru G only)	17	821-0018	1	Screw, Hex Lock (1/4-20 x 5/8")
8	166-0771	1	Nut, Hex Flange (M5 Negative Terminal)				
9	114-0022	1	Screw, Cap – Hex Head (5/16-18 x 1-3/4")				
10	815-0650	2	Screw, Hex Washer Head (1/4-20 x 1")				

# Exhaust System

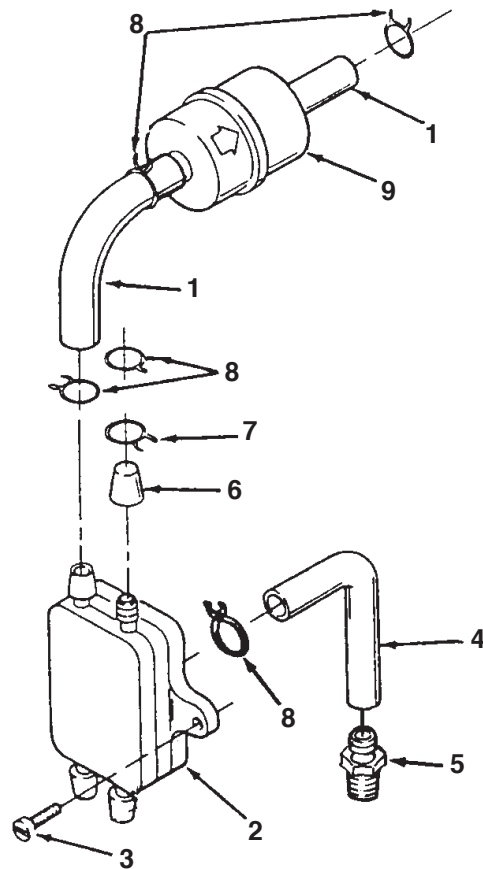


## Exhaust System

REF NO.	PART NO.	QTY USED	PART DESCRIPTION	REF NO.	PART NO.	QTY USED	PART DESCRIPTION
1	542-7129	1	Kit, Exhaust Adapter (Includes Parts Marked ~) Code 21BG	24	821-0014	1	#Screw, Lock Head Flange (5/16-18 x 1/2")
2			Screw	25	821-0029	1	#Screw, Lock Head Flange (3/8 x 3/4")
	800-0512	4	~ Cap, Hex Head (Special)	26	542-7119	1	Kit, Right Front Side or Left Rear Side Manifold (Includes Parts Marked *)
	800-0512-01	4	Cap, Hex Head (Spec 11583H)	27	154-1610-50	1	*Manifold, LH Exhaust (Shown)
	802-0055	4	Socket Head (5/16-18 x 1") Code 21CB	28	155-1219	2	*Clamp, Muffler
3			Washer	29	805-0019	2	*Screw, Hex Head Cap (3/8-16 x 1 7/16")
	850-0045	4	~Lock (5/16") Code 21AG,21BG	30	862-0003	2	*Nut, Hex (3/8-16)
	740-1006	4	Flat (M8) Code 21AZ,21CC	31	542-7120	1	Kit, Left Front Side or Right Rear Side Manifold (Includes Parts Marked +)
	526-0022	4	Flat (5/16" Screw) Code 21CB	32	154-1609-50	1	+Manifold, RH Exhaust (Not Shown)
4	154-1484-50	2	~Adapter, Exhaust (Flange Type) Code 21AG,21BG	33	155-1219	2	+Clamp, Muffler
5	154-2747	2	~Gasket, Exhaust Manifold	34	805-0019	2	+Screw, Hex Head Cap (3/8-16 x 1 7/16")
6	155-2534	2	Muffler (Use in Pairs) - Use With Adapter 154-1484-50	35	862-0003	2	+Nut, Hex (3/8-16)
7	155-1239	2	Clamp, Muffler (1-1/8" Dia.)	36	542-7101	1	Kit, Pepper Pot Muffler (Includes Parts Marked @)
8	154-1484-50	2	Adapter, Exhaust Manifold 4-1/4" Long	37	155-1216	2	@Muffler (Use With Exhaust Adapter 1545-1484-50- (Code 21BG)
9	541-0419	1	Kit, Exhaust Cover & Support (Includes Parts Marked ^) Code 21CC	38	155-1219	2	@Clamp, Muffler
10	134-4656-50	1	^Cover, Exhaust Tube - RH Code 21AZ,21BB - Painted	39	805-0019	2	@Screw, Hex Head Cap (3/8-16 x 1 7/16")
11	134-4678-50	1	^Cover, Exhaust Tube - LH Code 21AZ,21CC - Painted	40	862-0003	2	@Nut, Hex (3/8-16)
12	134-4981-50	1	^Support, Exhaust Cover	41	542-7122	1	Kit, Front or Rear Outlet Muffler (Includes Parts Marked <)
13	850-0050	2	^Washer, Lock (3/8")	42	155-1686	1	<Muffler, Exhaust (Use With Exhaust Adapter 154-1484-50 (Code 21BG)
14	821-0008	2	^Screw, Lock Head - Flange (1/4-20 x 5/16")	43	155-1219	2	<Clamp, Muffler
15	800-0048	2	^Screw, Cap - Hex Head (3/8-16 x 3/4")	44	805-0019	2	<Screw, Hex Head Cap (3/8-16 x 17/16)
16			Tube, Exhaust - RH - Painted	45	862-0003	2	<Nut, Hex (3/8-16)
	154-2263-50	1	Code 21AZ,21CC,21BD				
	154-2112-50	1	Code 21CB				
17			Tube, Exhaust - LH - Painted				
	154-2265-50	1	Code 21AZ,21CC,21BD				
	154-2113-50	1	Code 21CB				
18			Kit, Muffler (Includes Parts Marked #)				
	541-0315	1	Outlet, RH				
	514-0316	1	Outlet, LH)				
19			#Muffler, Exhaust				
	155-2245-01	1	RH - Outlet (Not Shown)				
	155-2245-02	1	LH - Outlet (Shown)				
20	154-2747	2	#Gasket, Exhaust Manifold				
21	155-2419-02	1	#Bracket, Muffler				
22	800-0512	4	#Screw, Hex Head Cap (Special)				
23	850-0045	4	#Washer, Lock (5/16) Code 21AG,21BG				

~- Parts included in Exhaust Adapter Kit.  
 ^- Parts included in Exhaust Cover & Support Kit.  
 #- Parts included in RH and LH Outlet Muffler Kits.  
 \*- Parts included in Left Rear Crossover Manifold Kit.  
 +- Parts included in Right Rear Crossover Manifold Kit.  
 @- Parts included in Pepper Pot Muffler Kit.  
 <- Parts included in Front or Rear Outlet Muffler Kit.

## Fuel Pump



REF NO.	PART NO.	QTY USED	PART DESCRIPTION	REF NO.	PART NO.	QTY USED	PART DESCRIPTION
1	503-0707	1	Hose	4	503-0707	1	Line, Pulse (Cut To 7" Long)
2			Pump, Fuel - Vacuum 2 Open Ports	5	502-0395	1	Connector, Hose - Fuel Pump Vacuum
	149-2187-02	1	All Codes Except 23DN	6	149-1321	1	Cap, Fuel Fitting
	149-2187-01	1	Code 23DN	7	503-0301	1	Clamp, Hose
3	815-0555	2	Screw, Tapping - Pan Head (10-24 x 5/8")	8	503-0731	6	Clamp, Hose (1/2")
				9	149-2206-01	1	Filter, Fuel



## Labels, Paint, Thread Sealant and Gasket Kits

REF NO.	PART NO.	QTY USED	PART DESCRIPTION	REF NO.	PART NO.	QTY USED	PART DESCRIPTION
518-0452		1	Sealant, Thread (50cc Bottle)	168-0191		1	Kit, Gasket – Engine Complete (Includes Parts Marked +)
518-0347		1	Loctite, Bottle (250cc)				
			Label, Performer 24 XSL Red, White	101-0782		1	+Gasket, Bearing Plate – 1/64”
			Code 19AS	102-1387		1	+Gasket, Oil Base
98-6802-04		3	Code 19AS	103-0810		1	+Gasket, Gear Cover
98-6802-04		2	Code 19AV	110-3575		3	+Gasket, Valve Box Cover
98-6664		1	Label, Air Cleaner Maintenance	110-2987		2	+Gasket, Cylinder Head
525-0394		1	Paint, Enamel (Touch-Up) – Flat Black, Pressurized Can (16 oz.)	120-0161		1	+Gasket Kit, Oil Pump
			Label, Periodic Maintenance Standard Capacity Oil Base	122-0771		1	+Gasket, Oil Filter Adapter to Block
98-5969-02		1	High Capacity Oil Base	110-3604		2	+Seal, Intake Valve
98-5969-04		1	Decal, Control Panel	509-0142		1	+Seal, Oil Fill Cap O-Ring
98-5735		1	Label, Head Bolt Torque – Begin Spec C	102-0743		1	+Gasket, Oil Drain
98-4024		2	Label, Maintenance (Oil Check)	509-0145		1	+Seal, Air Cleaner O-Ring
98-6266		1	Tag, 3 Year Warranty	154-0733		1	+Gasket, Carburetor Flange
98-7193		1	Label, Barcode	154-2219		2	+Gasket, Intake Manifold
98-7295		4	Cap, Plug	154-2747		2	+Gasket, Exhaust Adapter
517-0165		1	Kit, Gasket – Carbon Removal (Includes Parts Marked *)	160-1368		1	+Gasket, Breaker Box
168-0190		1	*Gasket, Valve Compartment Cover	509-0008		1	+Seal, Governor Shaft
110-3575		3	*Gasket, Cylinder	509-0040		1	+Seal, Oil – Gear Cover
110-2987		2	*Gasket, Intake Manifold	509-0041		1	+Seal, Oil – Bearing Plate
154-2219		2	*Gasket, Exhaust Adapter	509-0117		1	+Seal, Breather Cap O-Ring
154-2747		2	*Gasket, Exhaust Adapter	145-0438		1	+Gasket, Carburetor
154-2746		2	*Gasket, Exhaust Manifold	154-2746		2	+Gasket, Exhaust Adapter
154-2747		2	*Seal, Oil – Valve	110-3604		2	+Seal, Oil – Valve
110-3604		2		509-0269		1	+Seal, Fill Tube

\* \_ Parts Included in 168-0190 Gasket Kit.

+ - Parts Included in 168-0191 Gasket Kit

## Sales Option Code Table

<u>SPEC NO.</u>	<u>10684</u>	<u>10704</u>	<u>10705</u>	<u>10707</u>	<u>10708</u>	<u>10710</u>	<u>10711</u>	<u>10713</u>	<u>10726</u>	<u>10727</u>	<u>10792</u>	<u>10803</u>
11AH	11AH	11AH	11AH	11AH	11AH	11AH	11AH	11AH	11AH	11AW	11AH	11AH
11AW	11AW	11AW	11AW	11AW	11AW	11AW	11AW	11AW	11AW	13BJ	11AW	11AW
13BJ	13BJ	13BG	13BJ	11BE	13BJ	13BJ	13BJ	13BJ	13BJ	13BN	13BV	13BJ
13BN	13BP	13BK	13BN	13BS	13BN	13BN	13BM	13BN	13BN	13BV	13CB	13BP
13BV	13BW	13CE	13BV	13BY	13BV	13BV	13BV	13BV	13BV	15BD	13CD	13BV
15BD	15BD	15BD	15BD	13CD	15BD	15BA	15BB	15BD	15BK	15BD	15BD	15BD
15BK	15BK	15BK	15BK	15BD	15BK	15BD	15BD	15BD	15BK	15BL	15BK	15BK
15BL	15BL	15BL	15BL	15BK	15BL	15BK	15BK	15BL	17CD	15BL	15BL	15BL
17CD	17CD	17CD	17CD	15BL	17CD	17CD	17CD	17CD	17CD	17CF	17CD	17CD
17CF	17CF	17CF	17CF	17CD	17CF	17CF	17CF	17CF	17CF	17DA	17CF	17CF
17DA	17DA	17DA	17DA	17CF	17DA	17DA	17DA	17DA	17DA	19AS	17DA	17DA
19AS	19AS	19AS	19AS	17DA	19AS	19AS	19AS	19AS	19AS	23DC	19AS	19AS
23DC	23DC	21BG	23DC	19AS	23DC	23DC	23DC	23DC	23DC	31AY	23DC	23DC
31AY	31AY	23DC	31AY	21BG	31AY	31AY	31AY	31AY	31AY	31AZ	23DN	31AY
31AZ	31AZ	31AY	31AZ	23DC	31AZ	31AZ	31AZ	31AZ	31AZ	33AT	31AY	31AZ
33AT	33AT	31AZ	33AT	23DN	33AT	33AT	33AT	33AT	33AT	35CH	31AZ	33AT
35AU	35AU	33AT	35BC	31AY	35CH	35AU	35AV	35CH	45BT	33AT	35CG	
35BB	35BB	35AV	45BB	31AZ	45BB	35BC	35BB	45BE	45EC	35AV	45BB	
45BB	45BB	35BB	45BW	33AT	45BW	45BB	45BB	45BW	47AR	35BC	47AR	
45BW	45BW	45BB	47AR	35BC	47AR	45BW	45BW	47AR	47AZ	39AG	47BA	
47AL	47AR	47AR		39AG	47BA	47AR	47AR	47AZ	47BB	45BF	47BB	
47AR	47AY	47BA		45BS	47BB	47BA	47BA	47BB	47BF	45BM		
47BA	47BA	47BB		47AR		47BB	47BB	47BF		47AR		
47BB				47AZ						47AZ		
				47BB						47BB		

<u>SPEC NO.</u>	<u>10813</u>	<u>10814</u>	<u>10825</u>	<u>10828</u>	<u>10829</u>	<u>10833</u>	<u>10834</u>	<u>10835</u>	<u>10836</u>	<u>10837</u>	<u>10838</u>	<u>10839</u>	<u>10841</u>
11AH	11AH	11AH	11AH	11AH	11AW	11AH	11AH	11AR	11AW	11AH	11AW	11AH	11AH
11AW	11AW	11AW	11AW	11AW	11BE	11AW	11AW	11AW	11BE	11AW	11BE	11AW	11AW
11BG	13BK	13BJ	13BM	13BR	13BJ	13BJ	13BJ	13BJ	13BJ	13BM	13BM	13BJ	13BJ
13BJ	13BP	13BN	13BV	13CG	13BN	13BM	13BN	13BM	13BV	13BV	13BN	13BM	
13BN	15BD	13BV	13CD	15BD	13BU	13BV	13BV	13BV	13CD	13CD	13BV	13BU	
13BW	15BJ	15BD	15BD	15BK	15BD	15BD	15BD	15BD	15BD	15BB	15BD	15BD	
15BD	15BL	15BK	15BK	15BL	15BJ	15BJ	15BK	15BK	15BK	15BD	15BJ	15BK	
15BK	15BV	15BL	15BL	17CD	15BL	15BL	15BL	15BL	15BL	15BK	15BL	15BL	
15BL	17CD	17CD	17CD	17CF	17CF	17CD	17CD	17CD	17CD	17CD	17CD	17CD	
17CF	17CF	17CF	17CF	17DA	17DA	17CF	17CF	17CF	17CF	17CF	17CF	17CF	
17DA	17DA	17DA	17DA	19AS	17DF	17DA	17DA	17DA	17DA	17DA	17DA	17DA	
17DF	19AU	19AS	19AV	23DC	19AV	19AV	19AS	19AV	19AU	19AS	19AU	19AU	
19AS	21BR	23DC	23DC	31AY	23DC	23DC	23DC	23DC	23DC	23DC	23DC	23DC	
23DC	23DC	31AY	31AY	31AZ	31AY	31AY	31AY	31AY	23DE	23DE	31AY	31AY	
31AY	31AY	31BC	31AZ	33AT	31AZ	31AZ	31AZ	31AZ	31AY	31AY	31AZ	31AZ	
31AZ	31AZ	33AT	33AT	35AV	33AT	33AT	33AT	33AT	31AZ	31AZ	33AT	33AT	
33AT	33AT	35AV	35BC	35BB	35AU	35AU	35BC	35CH	33AT	33AT	35AH	35AV	
35AU	35AU	35BC	39AG	45BT	35BC	35BB	45BT	45BT	35BC	35BC	35BY	35BC	
35BH	35BB	45BB	45BB	47AR	45BD	45BB	47AR	47AR	39AG	39AG	45BB	45BD	
35BL	45BB	45BW	47AR	47BA	47AR	47AR		47BA	45BB	45BT	47AR	47AR	
45BY	47AR	47AR		47BB	47BA	47BA		47BB	47AR	47AR	47BA	47BA	
47AR	47AZ	47BA			47BB	47BB			47AZ	47AZ	47BB	47BB	
47BA	47BB	47BB							47BB	47BB			
47BB	47BF												

## Sales Option Code Table

<u>SPEC NO.</u>	<u>10842</u>	<u>10843</u>	<u>10847</u>	<u>10875</u>	<u>10890</u>	<u>10909</u>	<u>10912</u>	<u>10913</u>	<u>10922</u>	<u>10925</u>	<u>10966</u>	<u>10967</u>	<u>10983</u>
	11AH	11AH	11AH	11AH	11AH	11AH	11AH	11AH	11AH	11AH	11AH	11AH	11AH
	11AW	11AW	11AW	11AW	11AW	11AW	11AW	11AW	11AW	11AW	11AW	11AW	11AW
	13BJ	13BJ	13BM	13BG	13BJ	13BJ	13BJ	11BG	13BJ	13BM	13BJ	13BR	13BJ
	13BZ	13BM	13BV	13BJ	13BM	13BN	13BM	13CG	13BW	13BV	13BY	13CD	13BM
	13CB	13BV	13CD	13BZ	13BV	13BV	13BV	13CH	13CM	13CD	13CR	13CE	13BZ
	15BD	15BD	15BD	15BD	15BB	15BD	15BD	13CS	15AZ	15BD	15BD	15BD	15BB
	15BK	15BJ	15BK	15BJ	15BD	15BK	15BK	15AZ	15BD	15BK	15BJ	15BK	15BD
<b>SALES OPTION CODE NUMBERS</b>	15BL	15BL	15BL	15BM	15BK	15BL	15BL	15BD	15BK	15BL	15BL	15BL	15BK
	17BZ	17CD	17CD	15CM	17CF	17CF	17CD	15BK	17BZ	17CD	17CF	17CD	17CD
	17DA	17CF	17CF	17CF	17DA	17DA	17CF	17CF	17DA	17CF	17DF	17CF	17CF
	17DF	17DA	17DA	17CV	17DF	17DF	17DA	17DA	17DF	17DA	17DN	17DA	17DA
	19AS	19AU	19AS	17DA	19AS	19AV	19AU	17DF	19AS	19AU	19AU	19AU	19AS
	21CB	23DC	23DC	19CJ	23DC	23DC	23DC	19AS	21BG	23DC	23DC	21AZ	23DC
	23DC	31AY	31AY	21CC	31AY	31AY	23DN	23DC	23DC	23DJ	31AY	23DC	31AY
	31AY	31AZ	31AZ	23DC	31BD	31AZ	31AY	23DN	31AY	23DN	31AZ	23DN	31AZ
	31BD	33AT	33AT	23DJ	33AT	33AT	31AZ	31AY	31AZ	31AY	33AT	31AY	33AT
	33AT	35AV	35BC	23DK	45BB	35AU	33AT	31AZ	33AT	31AZ	35AH	31AZ	35AV
	45BB	35BC	39AG	31AY	47AR	35BB	35AV	33AT	35CH	33AT	35BL	33AT	35BB
	45BW	45BT	45BB	31AZ	47AZ	45BE	35BC	35AV	45BB	35BC	35BY	35AV	45BB
	47AR	47AR	47AR	33AT	47BB	47AR	39AG	35BH	45BW	39AG	45BB	35BC	47AR
	47BA	47BA	47BA	35AU	47BF	47BA	45BE	45BF	47AR	45BB	47AR	39AG	47BA
	47BB	47BB	47BB	35BC		47BB	47AR	47AR	47BA	47AR	47BA	45BB	47BB
				35BL			47AZ	47AZ	47BB	47BA		45BW	
				45BE			47BB	47BB		47BE		47AR	
				47AR								47AZ	
				47BA								47BB	
				47BB									

<u>SPEC NO.</u>	<u>10987</u>	<u>10999</u>	<u>11014</u>	<u>11015</u>	<u>11021</u>	<u>11022</u>	<u>11025</u>	<u>11029</u>	<u>11041</u>	<u>11043</u>	<u>11050</u>	<u>11057</u>	<u>11066</u>
	11AH	11AH	11AW	11AH	11AH	11AH	11AH	11AH	11AH	11AH	11AW	11AH	11AH
	11AW	11AW	11BE	11AW	11AW	11AW	11AW	11AW	11AW	11AW	13BJ	11AW	11AW
	11BE	13BG	13BG	13BJ	13BM	13BK	13BJ	13BJ	13BJ	13BM	13BM	11BE	13BJ
	13BP	13BJ	13BJ	13BS	13BV	13BN	13BM	13BN	13BM	13BV	13BV	13BM	13BN
	13CG	13BZ	13BV	13BY	13CD	13BV	13BV	13BV	13BV	13CD	15BB	13BV	13BV
	15BD	15AZ	15BD	15BD	15BD	15BD	15BD	15BD	15BD	15BD	15BD	13CD	15BD
	15BK	15BD	15BK	15BJ	15BK	15BK	15BK	15BJ	15BK	15BK	15BK	15BD	15BK
	15BL	15BJ	15BL	15BL	15BL	15BL	15BL	15BL	15BL	15BL	17CD	15BK	15BL
<b>SALES OPTION CODE NUMBERS</b>	17CF	15BZ	17CF	17CD	17CF	17CF	17CD	17CD	17CD	17CF	17CF	15BL	17CD
	17DA	17CF	17CV	17CF	17DA	17DA	17CF	17CF	17CF	17DA	17DA	17CD	17CF
	17DF	17CV	17DA	17DA	17DF	17DF	17DA	17DA	17DA	17DF	19AS	17CF	17DA
	19AS	17DN	19AS	19AU	19AU	19AS	19AS	19AS	19AS	19AV	23DC	17DA	19AS
	23DC	19AU	21BG	23DC	23DC	23DC	23DC	23DC	23DC	23DC	23ED	19AS	23DC
	23DN	23DC	23DC	31AY	31AY	31AY	31AY	23DJ	31AY	23DJ	31AY	23DC	23DJ
	31AY	23DJ	31AY	31AZ	31AZ	31AZ	31AZ	23DN	31BD	23DN	31AZ	23DN	23DN
	31AZ	23EJ	31AZ	33AT	33AT	33AT	33AT	31AY	33AT	31AY	33AT	31AY	31AY
	33AT	31AY	33AT	35AH	35BC	45BE	35AV	31BC	45BB	31AZ	35AV	31AZ	31AZ
	35AV	31AZ	35AU	35BL	35BV	47AR	35BC	33AT	47AR	33AT	35BC	33AT	33AT
	35BB	33AT	35BC	35BY	35CK	47BA	45BE	35AV	47BA	35BC	45BT	35BC	35BG
	45BU	35AV	45BT	45BB	45BB	47BB	45BW	35BC	47BB	35CK	45EC	39AG	35BV
	47AR	35BZ	47AR	47AR	47AR		47AR	45BB		45BB	47AR	45BS	35CH
	47BA	45BD	47BA		47AZ		47BA	45BW		47AR	47BA	47AR	45BB
	47BB	47AL	47BB		47BB		47BB	47AR		47AZ	47BB	47AZ	45BW
		47AR						47BA		47BB		47BB	47AR
		47BA						47BB					47BA
													47BB

## Sales Option Code Table

<u>SPEC NO.</u>	<u>11070</u>	<u>11071</u>	<u>11087</u>	<u>11092</u>	<u>11109</u>	<u>11111</u>	<u>11115</u>	<u>11116</u>	<u>11117</u>	<u>11119</u>	<u>11125</u>	<u>11133</u>	<u>11138</u>
11AH	11AH	11AH	11AH	11AH	11AH	11AH	11AH	11AH	11AH	11AH	11AH	11AH	11AH
11AW	11AW	11AW	11AW	11AW	11AW	11AW	11AW	11AW	11AW	11AW	11AW	11AW	11AW
13BJ	11BE	13BJ	13BJ	13BJ	13BN	11BE	13BN	13BJ	13BM	11PP	13BJ	13BN	13BJ
13BM	13BJ	13BN	13BN	13BN	13CG	13BS	13BV	13BN	13BV	13CB	13BN	13BV	13BM
13BV	13BM	13BV	13BV	13BV	15BB	13CG	13CD	13BV	13CD	13CG	13BV	13CD	13BV
15BD	13BV	15BD	15BD	15BD	15BD	15BD	15BD	15BD	15BD	15AZ	15BD	15BD	15BD
15BK	15BD	15BK	15BK	15BK	15BK	15BK	15BK	15BK	15BK	15BD	15BK	15BK	15BK
15BL	15BK	15BL	15BL	17CF	15BL	15BL	15BL	15BL	15BL	15BK	15BL	15BL	15BL
17CD	15BL	17CD	17CD	17CD	17DA	17CF	17CF	17CF	17CF	17CF	17CF	17CF	17CF
17CF	17CD	17CF	17CF	17CF	17DF	17DA	17DA	17DA	17DA	17DF	17DA	17DA	17DA
17DA	17CF	17DA	17DA	19AS	17DF	17DF	17DF	17DF	17DF	17DN	17DF	17DF	17DF
19AS	17DA	19AS	19AS	23DC	19AS	19AU	19AS	19AS	19AS	19AS	19AS	19AS	19AS
23DC	19AS	23DC	23DC	31AY	21BG	23DC	23DC	21BG	19BB	21BG	21BG	23DC	23DC
31AY	23DC	31AY	23DN	31AZ	23DC	31AY	23DJ	23DC	23DC	23DC	23DC	31AY	31AY
31AZ	31AY	31AZ	31AY	33AT	31AY	31AZ	23DN	31AY	23DJ	31AY	23DJ	31AY	31BC
33AT	31AZ	33AT	31AZ	35AV	31BC	33AT	31AY	31AZ	23ED	31AZ	23DN	33AT	33AT
35AV	33AT	35AV	33AT	35BC	33AT	35AV	31AZ	33AT	31AY	33AT	31AY	35AV	35AV
35BC	35AV	35BC	35AV	45BE	35BV	35BZ	33AT	35AV	31AZ	35CH	31AZ	35BC	35BC
45BB	35BC	45BB	35BC	45BW	35CC	35CK	35BV	35BC	33AT	45BE	33AT	45BE	45BE
47AR	45BS	45BW	45BE	47AR	45BS	45BB	35CC	35CK	35AV	45BW	35AV	45BW	45BW
47BA	47AR	47AR	45BW	47BA	47AR	47AR	45BB	45BE	35BH	47AR	35BC	47AR	47AR
47BB	47BA	47BA	47AR	47BB	47BA	47AZ	45BW	45BW	45BF	47BA	35CK	47BA	47BA
	47BB	47BB	47BA		47BB	47BB	47AR	47AR	47AR	47AR	47BE	45BB	47BB
			47BE				47BA	47AZ	47AZ	47BF	45BW	47AR	
							47BB	47BB	47BE		47AR	47AZ	
											47BB	47BB	

<u>SPEC NO.</u>	<u>11146</u>	<u>11150</u>	<u>11151</u>	<u>11155</u>	<u>11157</u>	<u>11158</u>	<u>11166</u>	<u>11167</u>	<u>11168</u>	<u>11175</u>	<u>11181</u>	<u>11183</u>	<u>11184</u>
11AH	11AH	11AH	11AH	11AH	11AH	11AH	11AH	11AH	11AH	11AH	11AH	11AH	11AH
11AW	11AW	11AW	11AW	11AW	11AW	11AW	11AW	11AW	11AW	11AW	11AW	11AW	11AW
13BK	13BJ	13BN	11BE	13BP	11BF	13BP	11BG	13BJ	11BF	13BM	13BJ	13BJ	13BJ
13BM	13BN	13CG	13BG	13CG	13BJ	13CG	13BM	13BN	13BN	13BV	13BZ	13BN	13BN
13BU	13BV	15BD	13BJ	15BD	13BM	15BD	13BV	13BV	13BV	13CD	13CB	13BV	13BV
15BD	15BB	15BJ	13BV	15BK	13BV	15BK	13CD	15BD	13CD	15BD	15BD	15BB	15BB
15BJ	15BD	15BL	15BD	15BL	15BB	15BL	15BD	15BK	15AZ	15BK	15BJ	15BD	15BD
15BL	15BK	17CF	15BK	17BZ	15BD	17BZ	15BK	15BL	15BD	15BL	15BM	15BK	15BK
17BZ	17CF	17DA	15BL	17DA	15BK	17DA	15BL	17BZ	15BK	17CF	15CM	17CF	17CF
17DA	17DA	17DF	17CF	17DF	17CF	17DF	17CF	17CD	15BZ	17DA	17CF	17DA	17DA
17DF	17DF	19AS	17CV	19AS	17DA	19AS	17DA	17DA	17CF	17DF	17CV	17DF	17DF
19AS	19AS	23DC	17DA	21BG	17DF	21BG	17DF	19AV	17DA	19AV	17DA	19AS	19AS
23DC	23DC	23DJ	19AV	23DC	19AS	23DC	19AU	23DC	17DF	23DC	19CJ	23DC	23DC
23DJ	23DJ	23ED	21BG	23DJ	23DC	23DJ	23DC	31AY	19AS	23DJ	21CC	23DJ	23DJ
23DN	23DN	31AY	23DC	23DN	23ED	23DN	31AY	31AZ	21BG	23DN	23DC	23DN	23DN
31AY	31AY	31AZ	31AY	31AY	31AY	31AY	31AZ	33AT	23DC	31AY	23DJ	31AY	31AY
31AZ	31AZ	33AT	31AZ	31AZ	31AZ	31AZ	33AT	35AU	23DN	31AZ	23DK	31AZ	31AZ
33AW	33AT	35AV	33AT	33AT	33AT	33AT	35BC	35BH	31AY	33AW	31AY	33AT	33AT
35AV	35BV	35BC	35AU	35CH	35CH	35CH	35BV	45BB	31AZ	35AV	31AZ	35AV	35AV
35BC	35CC	45CC	35BC	45BB	45BT	45BE	35CK	45BW	33AT	35BC	33AT	35BC	35BC
45BB	45BB	47AR	45BT	47AR	47AR	47AR	45BB	47AR	35AV	35CK	35AU	45BB	45BB
47AR	45BW	47AZ	47AR	47BA	47BA	47BA	47AR	47BA	35BC	45BB	35BC	45BW	45BW
47AZ	47AR	47BB	47BA	47BB	47BB	47BB	47BB	47BA	35CK	47AR	35BL	47AR	47AR
47BB	47AY	47BF	47BB				47BH	47BF	45BT	47AZ	45BE	47AY	47AY
	47BA								47AR	47BB	47AR	47BA	47BA
	47BG								47AZ		47BA	47BG	
									47BB		47BB		
									47BF				

## Sales Option Code Table

<b>SPEC NO.</b>	<b>11185</b>	<b>11189</b>	<b>11190</b>	<b>11194</b>	<b>11196</b>	<b>11200</b>	<b>11202</b>	<b>11205</b>	<b>11210</b>	<b>11214</b>	<b>11216</b>	<b>11219</b>	<b>11222</b>
11AH	11AH	11AH	11AH	11AH	11AH	11AH	11AH	11AH	11AH	11AH	11AH	11AH	11AH
11AW	11AW	11AW	11AW	11AW	11AW	11AW	11AW	11AW	11AW	11AW	11AW	11AW	11AW
13BJ	11BF	11BF	13BN	13BK	13BJ	13BJ	13BJ	13BK	11BG	13BF	11BG	13BJ	13BJ
13BN	13BN	13BF	13BV	13BM	13BN	13BP	13BN	13BM	13CB	13BN	13BM	13BN	13BN
13BV	13CG	13BN	13CD	13BV	13BV	13BV	13BV	13BU	13CG	13CE	13BV	13BV	13BV
15BD	15AZ	13CE	15BD	15BD	15BD	15BA	15BC	15BD	15AZ	15AZ	13CD	15AZ	15AZ
15BK	15BD	15AZ	15BK	15BJ	15BK	15BD	15BF	15BJ	15BD	15BZ	15BD	15BD	15BD
15BL	15BK	15BZ	15BL	15BL	15BL	15BK	17CF	15BL	15BK	15CK	15BK	15BK	15BK
17CF	15BZ	15CK	17BY	17CF	17CF	17BY	17DA	17BZ	17CF	15CR	15BL	15BZ	15BZ
17DA	17CF	15CR	17DA	17DA	17DA	17DA	17CK	17DF	17CV	17DA	17CF	17CF	17CF
17DF	17DA	17CF	17DF	17DF	17DF	17DA	19AS	17DA	17DF	17DA	17DA	17DA	17DA
19CL	17DF	17DA	19AS	19AS	19AS	19AS	23DC	19AS	19AS	17DF	17DF	17DF	17DF
21BG	19AS	17DF	21BG	23DC	23DC	23DC	23DJ	23DC	23DC	19AS	19AU	19AS	19AS
23DC	23DC	19AS	23DC	31AY	23DJ	23DJ	23DN	23DJ	23DJ	23DC	23DC	23DC	23DC
23DN	23DJ	23DC	23DN	31BC	23DN	23DN	31AY	23DN	23DN	23DJ	31AY	31AY	31AY
31AY	23DN	23DJ	31AY	33AT	31AY	31AY	31AZ	31AY	31AY	23DN	31AZ	31AZ	31AZ
31BC	31AY	23DN	31AZ	35AU	31AZ	31AZ	33AT	31AZ	31AZ	31AY	33AT	33AT	33AT
33AW	31BC	31AY	33AT	35BB	33AT	33AT	35BV	33AW	33AT	31BC	35BC	35AV	35AV
35AU	33AT	31BC	35CJ	45BB	35AV	33BB	35CC	35AV	35AV	33AT	35BV	35BC	35BC
35BZ	35BV	33AT	35CK	45BW	35BC	35AU	45BB	35BC	35BH	35BV	35CK	45BB	45BB
45BB	35CC	35BV	45EA	47AR	45BB	35BC	45BW	45BB	45BF	35CC	45BB	45BW	45BW
45BW	45BT	35CC	47AR	47BA	45BW	45BE	47AR	47AR	47AR	45BB	47AL	47AR	47AR
47AR	47AR	45BT	47AZ	47BB	47AR	47AR	47BA	47AZ	47AZ	47AR	47AR	47AZ	47AZ
47BA	47AZ	47AR	47BB	47BF	47AY	47BA	47BB	47BB	47BB	47AZ	47BH	47BB	47BB
47BB	47BB	47AZ	47BF		47BA	47BB				47BB		47BF	47BF
47BF	47BF	47BB	47BF		47BG	47BF				47BF			
		47BF											

<b>SPEC NO.</b>	<b>11223</b>	<b>11225</b>	<b>11228</b>	<b>11229</b>	<b>11256</b>	<b>11257</b>	<b>11258</b>	<b>11259</b>	<b>11260</b>	<b>11275</b>	<b>11278</b>	<b>11289</b>	<b>11292</b>
11AH	11AH	11AH	11AH	11AH	11AH	11AH	11AH	11AH	11AH	11AH	11AH	11AH	11AH
11AW	11AW	11AW	11AW	11AW	11AW	11AW	11AW	11AW	11AW	11AW	11AW	11AW	11AW
11BK	13BJ	13BJ	13BJ	13BJ	13BJ	13BJ	13BJ	13BJ	13BJ	13BF	13BJ	13BG	13BN
13BG	13BM	13BN	13BZ	13BN	13BN	13BN	13BN	13BN	13BN	13BN	13BZ	13BJ	13BV
13BJ	13BV	13BV	13CB	13BV	13BV	13BV	13BV	13BV	13BV	13CG	13CB	13BZ	13CD
13BV	15BD	15BK	15AZ	15AZ	15AZ	15AZ	15AZ	15AZ	15AZ	15BB	15AZ	15AZ	15AZ
15BD	15BK	15BL	15BD	15BD	15BD	15BD	15BD	15BD	15BD	15BD	15BD	15BD	15BD
15BL	15BL	15CU	15BK	15BK	15BK	15BK	15BK	15BK	15BK	15BK	15BK	15BJ	15BK
15CK	17CF	17CF	15BZ	15BZ	15BZ	15BZ	15BZ	15BZ	15BZ	17CF	15BZ	15BZ	15BZ
17BZ	17DA	17DA	17BZ	17CF	17CF	17CF	17CF	17CF	17CF	17CV	17CF	17CF	17CF
17CV	17DF	17DF	17DA	17DA	17DA	17DA	17DA	17DA	17DA	17DA	17DA	17CV	17DA
17DA	19AS	19AS	17DF	17DF	17DF	17DF	17DF	17DF	17DF	19AS	17DF	17DN	17DF
19AS	23DC	23DC	19AS	19AS	19AS	19AS	19AS	19AS	19AS	23DC	19AS	19AU	19AS
23DC	23DJ	23DJ	21CB	23DC	23DC	23DC	23DC	23DC	23DC	31AY	23DC	23DC	23DC
31AY	23DN	23DN	23DC	31AY	31AY	31AY	31AY	31AY	31AY	31AZ	31AY	23DJ	23DN
31BC	31AY	31AY	31AY	31AZ	31AZ	31AZ	31AZ	31AZ	31AZ	33AT	31BD	23EJ	31AY
33AW	31BC	31AZ	31BD	33AT	33AT	33AT	33AT	33AT	33AT	35AV	33AT	31AY	31AZ
35AU	33AT	33AT	33AT	35CH	35CH	35CH	35CH	35CH	35CH	35CC	45BB	31AZ	33AT
35BC	35AV	35BV	45BB	45BB	45BE	45BS	45BU	45BT	45BE	45BW	33AT	35AV	35AV
45BB	35BC	35CC	45BW	45BW	45BW	47AR	47AR	47AR	45BW	47AR	35AV	35BC	35BC
47AR	35CK	45BB	47AR	47AR	47AR	47AZ	47AZ	47AZ	47AR	47BA	35CT	35CK	35CK
47BA	45BE	45BW	47BA	47AZ	47AZ	47BB	47BB	47BB	47BA	47BB	45BD	45BB	45BB
47BB	45BW	47AR	47BB	47BB	47BB	47BF	47BF	47BF	47BB		45AL	45BW	45BW
47BF	47AR	47BA	47BF	47BF	47BF						47AR	47AR	47AR
	47AZ	47BB									47BA	47AZ	47AZ
	47BB											47BB	47BB
													47BF

## Sales Option Code Table

<b>SPEC NO.</b>	<b><u>11295</u></b>	<b><u>11306</u></b>	<b><u>11314</u></b>	<b><u>11318</u></b>	<b><u>11331</u></b>	<b><u>11338</u></b>	<b><u>11363</u></b>	<b><u>11367</u></b>	<b><u>11384</u></b>	<b><u>11398</u></b>	<b><u>11431</u></b>	<b><u>11434</u></b>	<b><u>11436</u></b>
11AH	11AH	11AH	11AH	11AH	11AH	11AH	11AH	11AH	11AH	11AH	11AH	11AH	11AH
11AW	11AW	11AW	11AW	11AW	11AW	11AW	11AW	11AW	11AW	11AW	11AW	11AW	11AW
13BZ	13BN	11BH	11BE	13BJ	13BJ	13BN	13BN	13BN	13BN	13BN	13BJ	13BP	13BK
13CB	13BV	13BF	13BG	13BN	13BN	13BV	13BV	13BV	13BV	13BV	13BN	13BZ	13BM
13DD	13CD	13BV	13BJ	13DG	13BV	13CD	13CG	13CD	13CD	13CD	13BV	13DD	13BU
15AZ	15AZ	13CB	13BV	15BB	15AZ	15AZ	15BC	15AZ	15AZ	15BB	15AZ	15BD	15BD
15BD	15BD	13CG	15BD	15BD	15BD	15BD	15BD	15BD	15BD	15BD	15BK	15BD	15BJ
15BK	15BK	15AZ	15BK	15BK	15BK	15BK	15BK	15BK	15BK	15BK	15BU	15BJ	15BL
15BZ	15BZ	15BD	15BL	17CF	15BZ	15BZ	15BZ	15BZ	15BZ	15BZ	17BZ	15BZ	17BZ
17CF	17CF	15BK	17CF	17CV	17CF	17CF	17CF	17CF	17CF	17CF	17DA	17CF	17CV
17DA	17DA	17CF	17CV	17DA	17DA	17DA	17CK	17DA	17DA	17DF	17DA	17DA	17DA
17DF	17DF	17DA	17DA	19AS	17DF	17DF	17DA	17DF	17DF	19AS	17DF	19AS	19AS
19AS	19AS	17DF	19AV	23DC	19AS	19AV	19AU	19AS	19AS	21BG	19AS	23DC	23DC
23DC	23DC	19AS	21BG	31AY	23DC	23DC	23DC	23DC	21BG	23DC	23DC	23DC	23DJ
23DN	23DN	23DC	31AZ	23DJ	23DJ	23DJ	31AY	23DJ	23DC	23DJ	23DN	23DN	23DN
31AY	31AY	23DJ	31AY	33AT	23DN	23DN	31AZ	23DN	23DN	23DN	31AY	31AY	31AY
31BD	31AZ	23DN	31BC	35AV	31AY	31AY	33AT	31AY	31AY	31AY	31BD	31BC	31BC
33AT	33AT	31AY	33AT	35CC	31AZ	31AZ	35BC	31AZ	31AZ	31AZ	33AT	33AW	33AW
45BB	35CJ	31AZ	35AV	45BE	33AT	33AT	45BE	33AT	33AT	33AT	45BB	35AV	35AV
45BW	35CK	33AT	35BC	45BW	35AV	35AV	45BW	35AV	35AV	35AV	45BW	35BC	35BC
47AR	45BE	35BV	45BT	47AR	35BC	35BZ	47AR	35BC	35DB	35BC	47AR	45BB	45BB
47BA	45BW	35CC	47AR	47BA	35CK	35CK	47AZ	35CK	45BB	45BE	47BA	47AR	47AR
47BB	47AR	45BF	47BA	47BB	45BB	45BE	47BB	45BB	45BW	45BW	47BB	47AZ	47AZ
	47AZ	47AR	47BB		45BW	45BW		45BW	47AR	47AR		47BB	47BB
	47BB	47AZ			47AR	47AR		47AR	47AZ	47BA			
	47BF	47BB			47AZ	47AZ		47AZ	47BB	47BB			
		47BF			47BB	47BB		47BB	47BF	47BF			
					47BF	47BF		47BF					

<b>SPEC NO.</b>	<b><u>11468</u></b>	<b><u>11469</u></b>	<b><u>11471</u></b>	<b><u>11480</u></b>	<b><u>11481</u></b>	<b><u>11487</u></b>	<b><u>11490</u></b>	<b><u>11493</u></b>	<b><u>11495</u></b>	<b><u>11570</u></b>	<b><u>11582</u></b>	<b><u>11583</u></b>	<b><u>11590</u></b>
11AH	11AH	11AH	11AH	11AH	11AH	11AH	11AH	11AH	11AH	11AH	11AH	11AH	11AH
11AW	11AW	11AW	11AW	11AW	11AW	11AW	11AW	11AW	11AW	11AW	11AW	11AW	11AW
13BF	13BN	11BF	13BM	13BM	11BG	11BE	13BN	13BJ	13BN	13BJ	13CD	13BF	13BF
13BZ	13BV	13BM	13CG	13BV	13CB	13BG	13BV	13BW	13BV	13BN	13CE	13BN	13BN
13CG	13CD	13BV	15BC	13CD	13CG	13BJ	13CD	13CM	13CD	13BV	13GJ	13CG	13CG
15AZ	15BA	13CD	15BD	15AZ	15BF	13BV	15AZ	15AZ	15AZ	15AZ	15BF	15AZ	15AZ
15BD	15BD	15BD	15BK	15BD	17CF	15BD	15BD	15BD	15BD	15BD	17BZ	15BD	15BD
15BZ	15BK	15BK	17BZ	15BK	17DA	15BK	15BK	15BK	15BK	15BK	17DA	15BZ	15BZ
15CK	15BZ	15BL	17CV	15BZ	17DF	15BL	15BZ	15BZ	15BZ	15BZ	17DF	15CK	15CK
17CV	17CF	17CF	17DA	17CF	19AS	17CF	17CF	17CF	17BZ	17CF	17CF	19AU	17BZ
17DZ	17DA	17DA	19AV	17CV	23DC	17CV	17DA	17DF	17DA	17DA	21BG	17CV	17CV
19AU	17DF	17DF	23DC	17DA	23DJ	17DA	17DF	17DZ	17DF	17DF	23DC	17DA	17DA
23DC	19AS	19AS	23DJ	21BG	23DN	19AV	19AS	19AS	19AS	19AS	23DN	19AS	19AS
23DJ	23DC	23DC	23ED	19AS	31AY	21BG	23DC	23DC	21BG	23DC	31AY	23DC	23DC
23EJ	31AY	31AY	31AY	23DC	31AZ	23DC	23DN	31AY	23DC	31AY	31BC	23DJ	23DJ
31AY	31AZ	31AZ	31AZ	23DN	33AT	31AY	31AY	31AZ	23DN	31AZ	33AW	23DN	23DN
31AZ	33AT	33AW	33AT	31AY	35AV	31BC	31AZ	33AT	31AY	33AT	35AV	31AY	31AY
33AT	35DB	33AV	35AV	31AZ	35BH	33AT	33AT	35CH	31AZ	35CH	35BC	31BD	31BD
35AV	45BE	35DB	35BB	33AT	45BF	35BV	35DJ	45BB	33AT	45BW	45BE	33AT	33AT
35CT	45BW	45BT	45BF	35AV	47AR	35CC	35CK	45BW	35CJ	45EA	47AR	35AV	35AV
45BD	47AR	47AR	47AR	35DB	47AZ	45BT	45BW	47AR	35CK	47AR	47AZ	35CH	35CH
47AL	47AZ	47AZ	47AZ	45BB	47BB	47AR	45EA	47BA	45BW	47AZ	47BB	45BE	45BE
47AR	47BB	47BB	47BB	45BW		47BA	47AR	47BB	45EA	47BB		47AR	47AR
47AZ	47BF	47BF	47BF	47AR		47BB	47AZ		47AR	47BF		47AZ	47AZ
				47AZ			47BB		47AZ			47BB	47BB
				47BB			47BF		47BB			47BF	47BF
				47BF					47BF				

# Sales Option Code Table

<u>SPEC NO.</u>	<u>11607</u>	<u>11613</u>
	11AH	11AH
	11AW	11AW
	13BM	13BM
	13BV	13BV
	13CD	13CD
	15BD	15BD
	15BK	15BK
	15BL	15BL
	17BY	17BY
	17DA	17DA
	17DF	17DF
	19AS	19AU
	23DC	23DC
	23DJ	23DN
	23DN	31AY
	31AY	31AZ
	31AZ	33AT
	33AT	35AV
	35AV	35DB
	35DB	45BE
	45BD	47AR
	45BW	47AZ
	47AR	47BB
	47AZ	47BF
	47BB	
	47BF	

**SALES  
OPTION  
CODE  
NUMBERS**

## SALES OPTION CODE DEFINITIONS

### LISTED BELOW ARE SALES OPTION CODE NUMBERS USED ON P224G

11AH	Standard Bearing Plate	17DZ	Base, Oil – 3 Quart – Side Drain – Steel Plug
11AW	Premium Block with Standard Thrust Washer	19AS	Air Cleaner – Standard Capacity
11BE	Adapter, Hydraulic Pump (SAE A)	19AU	Air Cleaner – High Capacity
11BF	Adapter, Hydraulic Pump (SAE B)	19AV	Remote Air Cleaner Adapter
11BG	6 Holes Rear of Block	19BB	Air Cleaner Cover – Chrome
11BH	Adapter, Bearing Plate (7" Pilot)	19CJ	Remote Air Cleaner Adapter with Elbow
11BK	Pulley, Single Groove	19CL	Air Cleaner – High Capacity
13BF	Governor, 2-Speed Solenoid	21AZ	Exhaust Tubes (14" Centers) with Covers
13BG	Governor–3450 High Idle	21BG	Exhaust Adapter (1.5" OD)
13BJ	Side Pull Governor	21BR	Exhaust System (Steiner)
13BK	Front Pull Governor	21CB	Exhaust Tubes (13.24" Centers)
13BM	3850 High Idle	21CC	Exhaust Tubes with Covers and Support Brackets (14" Centers)
13BN	3600 High Idle	23DC	Blower Wheel
13BP	3300 High Idle	23DE	Stationary Guard – No PTO (Steel)
13BR	3200 High Idle	23DJ	No Rotating Screen
13BS	2800 High Idle	23DK	Cylinder Air Housings with Weld Nuts
13BU	1100 Low Idle	23DN	Stationary Guard (No PTO–Plastic) – Onan Logo
13BV	1200 Low Idle	23ED	Stationary Guard with PTO (Plastic)
13BW	1300 Low Idle	23EJ	Stationary Guard without P.T.O. – No Logo
13BY	1400 Low Idle	31AY	Electronic Ignition
13BZ	1500 Low Idle	31AZ	Alternator – 12V/20A
13CB	3780 High Idle	31BC	Alternator – 12V/35A
13CD	No Governor Linkage	31BD	No Alternator
13CE	1800 Low Idle	33AT	Starter Solenoid Shift (Side) Standard
13CG	Fixed Speed Governor	33AW	Starter–Solenoid Shift (Side) Premium
13CH	10 Ball Governor	33BB	No Starter Cap Kit
13CM	3400 RPM High Idle	35AH	Low Oil Pressure Switch (1 Terminal/Normally Open)
13CR	3550 RPM High Idle	35AU	Low Oil Pressure Switch (1 Terminal/Normally Closed)
13CS	1850 High Idle	35AV	Low Oil Pressure Switch (2 Terminal/Normally Open)
13DD	Governor, Side Pull, .190 Hole	35BB	4 Pin Harness with Mating Connector
13DG	1950 Low Idle	35BC	6 Pin Harness with Mating Connector
13GJ	Delete Governor	35BG	Harness, 3 Wire – Leads
15AZ	Fuel Pump–No Filter (Dual Inlet)	35BH	4 Pin Harness
15BA	Fuel Pump–Filter (Top Inlet)	35BL	High Metal Temperature Switch (1 Terminal – Normally Open)
15BB	No Pump–Filter	35BV	Low Oil Pressure Switch (3 Terminal – Normally Open/Normally Closed Common Ground)
15BC	No Pump, No Filter	35BY	Harness, 4 Pin – 3 Wire
15BD	Downdraft Carb–Manual Choke	35BZ	6 Pin Harness
15BF	Carb–LPG Downdraft	35CC	6 Pin with Diode and Mating Connector
15BJ	Front Pull Choke	35CG	4 Pin/2 Wire with Mating Connector
15BK	Rear Pull Choke	35CH	6 Pin/4 Wire with Mating Connector
15BL	Fuel Pump with Filter (Dual Inlet)	35CJ	6 Pin/4 Wire Harness
15BM	Fuel Pump – No Filter (Top Inlet)	35CK	Control Panel
15BV	Fuel Line (Hard) Assy	35CT	4 Pin Harness–w/Metri–Pack
15BZ	5" Fuel Line with Filter (Suck Side – Bottom)	35DB	Control Panel
15CK	Choke, Remote (Solenoid)	39AG	Control Panel
15CM	Fuel Line 5" – Filter (SUC Side Top)	45AL	Generator Adapter–YK
15CR	Carb–Downdraft Dual Fuel	45BB	1.12 Diameter Straight Shaft 3.95 to RFB
15CU	Carb–Downdraft–Manual Choke Intake Manf w/Plug–Special	45BD	1.44 Diameter Straight Shaft 3.77 to RFB
17BY	Oil Fill & Indicator – Inner	45BE	1.44 Diameter Straight Shaft 3.99 to RFB
17BZ	Oil Fill Tube & Indicator – Outer	45BF	1.12 Diameter Tapered Shaft 3.11 to RFB
17CD	Oil Filter (3.4" Long)	45BM	6 Holes–Rear of Block
17CF	Oil Fill Tube & Indicator – Outer Extension	45BS	Internal Splined 9 Tooth Crank
17CG	Base, Oil–Std Cap (Opt Drains)	45BT	Internal Splined 13 Tooth Crank
17CK	Plate, Oil–Remote Filter Adapter	45BU	Internal Splined 11 Tooth Crank
17CV	Oil Filter–Hex Nut (4.6" Long)	45BW	Crankshaft Key
17DA	Oil Base–3 Quart (Sandcast)		
17DF	Oil Filter (4.2" Long)		
17DN	Oil Base, Single Drain – 3 Quart		



## SALES OPTION CODE DEFINITIONS (cont'd)

### LISTED BELOW ARE SALES OPTION CODE NUMBERS USED ON P224G

45BY	1.12 Diameter Straight Shaft 5.00 to RFB	47AZ	Nameplate – Alternate Location
45CC	Crankshaft–No PTO (Stub)	47BA	Nameplate – Standard Location
45EA	1.12 Diameter Straight Shaft 4.71 to RFB	47BB	Labels – P224
45EC	Adapter, Pump (SAE–B)	47BE	Labels – P224
47AL	No Labels	47BF	Maintenance Labels
47AR	Finishing List	47BG	Maintenance Labels
47AY	Loose Labels	47BH	Nameplate Location

## Numerical Index

<u>Part No.</u>	<u>Page</u>	<u>Part No.</u>	<u>Page</u>	<u>Part No.</u>	<u>Page</u>	<u>Part No.</u>	<u>Page</u>
098-4024,	55	103-0810,	17, 55	110-3571,	7	120-0398,	9
098-4240,	9, 12, 17, 19, 20, 21, 31, 38, 41, 47	104-0043,	11	110-3572,	7	120-0491,	9
098-5735,	41, 55	104-0091,	7, 42	110-3575,	7, 55	120-0680,	7
098-5969-02,	55	104-0170,	12	110-3604,	7, 55	120-1215,	13
098-5969-04,	55	104-0575,	7	110-3616-02,	7	120-1230,	13
098-6266,	55	104-0776,	7	110-3655,	7	120-1272,	13
098-6664,	55	104-0779,	12	110-3655-02,	7	120-1275-02,	9
098-6802-04,	55	104-0864-01,	11	110-3655-05,	7	122-0352-50,	15
098-7193,	55	104-1310,	11	110-3655-10,	7	122-0469,	15
098-7295,	55	104-1311,	11	110-3655-25,	7	122-0502,	15
098-7315-07,	37	104-1314,	11	112-0069,	9	122-0771,	15, 55
099-2393,	31	104-1340,	11	112-0265,	9	122-0800,	15
101-0405,	7	104-1500,	11	112-0265-01,	9	122-0814,	15
101-0430-01,	7	104-1694,	11	112-0265-02,	9	123-0951,	7
101-0437-01,	7	104-1698,	11	112-0265-03,	9	123-0952,	7
101-0439-01,	7	104-1786,	11	112-0265-05,	9	123-0954,	7
101-0761,	9	104-1808,	11	112-0267,	9	123-0958,	7
101-0766-01,	9	104-1831,	11	112-0268,	9	123-1417,	7
101-0766-02,	9	105-0541,	10	113-0296,	9	123-1539,	20
101-0782,	55	105-0594,	10	113-0296-05,	9	123-1685-50,	14
101-0793-02,	7	105-0676,	10	113-0296-10,	9	123-1718-50,	14
101-0804,	7	105-0700,	10	113-0296-20,	9	123-1729-50,	14
101-0804-02,	7	110-0539,	7	113-0296-30,	9	123-1843,	14
101-0804-10,	7	110-0639,	7	113-0311,	9	123-1860,	14
101-0804-20,	7	110-0893,	7	113-0311-01,	9	123-1860-01,	14
101-0804-30,	7	110-0904,	7	113-0311-02,	9	123-1867-51,	14
101-0805,	7	110-1624-01,	7	113-0311-03,	9	123-1869-51,	14
101-0805-02,	7	110-1716,	7	113-0311-05,	9	123-1871,	20
101-0805-10,	7	110-1716-02,	7	114-0022,	12, 51	123-1878,	14
101-0805-20,	7	110-1716-05,	7	114-0036,	7	123-1880,	14
101-0805-30,	7	110-1716-10,	7	114-0188,	7	123-1880-01,	14
101-0809,	7	110-1716-25,	7	114-0188-02,	7	123-1897-51,	14
102-0743,	13, 55	110-1718,	7	114-0188-10,	7	123-1969-51,	14
102-0938,	13	110-1719,	7	114-0188-20,	7	123-2091,	14
102-1338,	13	110-2987,	7, 55	114-0188-30,	7	123-2105,	14
102-1384-02,	13	110-3167,	7	114-0203,	9	134-0599,	43
102-1387,	13, 55	110-3168,	7	115-0006,	7	134-4553-50,	12
103-0791,	17	110-3549,	7	115-0025,	33	134-4656-50,	53
103-0799,	17	110-3569,	7	120-0140,	9	134-4668-50,	29
		110-3570,	7	120-0161,	9, 55	134-4668-51,	29

## Numerical Index

<u>Part No.</u>	<u>Page</u>	<u>Part No.</u>	<u>Page</u>	<u>Part No.</u>	<u>Page</u>	<u>Part No.</u>	<u>Page</u>
134-4678-50,	<b>53</b>	141-0281,	<b>26, 37</b>	149-2187-01,	<b>54</b>	150-2531,	<b>36</b>
134-4680,	<b>12</b>	145-0438,	<b>23, 55</b>	149-2187-02,	<b>54</b>	150-2545,	<b>33</b>
134-4689,	<b>31</b>	145-0522,	<b>19</b>	149-2206-01,	<b>54</b>	150-2553,	<b>22, 31</b>
134-4689-01,	<b>31</b>	145-0614,	<b>19</b>	149-2242,	<b>29, 33</b>	152-0155,	<b>29, 34</b>
134-4689-02,	<b>31</b>	146-0331,	<b>25</b>	149-2385,	<b>27</b>	153-0500,	<b>34, 36</b>
134-4846-50,	<b>29</b>	146-0338,	<b>25</b>	150-0075,	<b>10</b>	153-0514,	<b>29, 34, 35</b>
134-4846-51,	<b>29</b>	146-0339,	<b>25</b>	150-0078,	<b>10</b>	153-0523,	<b>34</b>
134-4850,	<b>29</b>	146-0423,	<b>25</b>	150-0621,	<b>31</b>	153-0524,	<b>34</b>
134-4981-50,	<b>53</b>	146-0424,	<b>23, 24</b>	150-0639,	<b>31</b>	153-0606,	<b>41</b>
134-4986-02,	<b>29</b>	146-0426,	<b>23, 24</b>	150-0694,	<b>29</b>	153-0632,	<b>33</b>
134-5001-50,	<b>29</b>	146-0431,	<b>23</b>	150-1187,	<b>17</b>	153-0642,	<b>36</b>
134-5127-02,	<b>29</b>	146-0433,	<b>23, 24</b>	150-1214,	<b>29</b>	153-0678,	<b>33</b>
134-5130-02,	<b>51</b>	146-0435,	<b>23, 24</b>	150-1269,	<b>29</b>	153-0686-02,	<b>35</b>
140-0721,	<b>21</b>	146-0437,	<b>23, 24</b>	150-1366,	<b>29</b>	154-0733,	<b>22, 23, 24, 27, 55</b>
140-0722,	<b>21</b>	146-0467,	<b>23</b>	150-1398,	<b>29</b>	154-1484-50,	<b>53</b>
140-0723,	<b>21</b>	146-0497,	<b>22, 24</b>	150-1422-01,	<b>17</b>	154-1609-50,	<b>53</b>
140-1428,	<b>20, 21</b>	146-0499,	<b>24</b>	150-1470-01,	<b>17</b>	154-1610-50,	<b>53</b>
140-1496-01,	<b>19</b>	146-0500,	<b>23, 24</b>	150-1519,	<b>10</b>	154-2112-50,	<b>53</b>
140-1714,	<b>20</b>	146-0501,	<b>23, 24</b>	150-1520,	<b>10</b>	154-2113-50,	<b>53</b>
140-1912-01,	<b>19</b>	146-0502,	<b>24</b>	150-1576,	<b>29</b>	154-2219,	<b>22, 37, 55</b>
140-1913-50,	<b>19</b>	146-0505,	<b>23, 24</b>	150-1576-02,	<b>29</b>	154-2263-50,	<b>53</b>
140-2005-02,	<b>19</b>	146-0562,	<b>26</b>	150-1725-01,	<b>29</b>	154-2265-50,	<b>53</b>
140-2005-50,	<b>19</b>	146-0649,	<b>25</b>	150-1726-01,	<b>29</b>	154-2746,	<b>55</b>
140-2173,	<b>21</b>	146-0650,	<b>25</b>	150-1727,	<b>29, 33</b>	154-2747,	<b>53, 55</b>
140-2191-50,	<b>19</b>	146-0657,	<b>25</b>	150-1740,	<b>29, 33</b>	154-2749,	<b>22</b>
140-2493-51,	<b>19</b>	146-0658,	<b>25</b>	150-1754,	<b>41</b>	154-2873,	<b>22, 26</b>
140-2493-53,	<b>19</b>	146-0662,	<b>22, 25</b>	150-1754-01,	<b>29, 41</b>	155-1216,	<b>53</b>
140-2536-01,	<b>19</b>	146-0681,	<b>37</b>	150-1755,	<b>29, 41</b>	155-1219,	<b>53</b>
140-2536-02,	<b>19</b>	146-0695,	<b>25</b>	150-1761,	<b>29</b>	155-1239,	<b>53</b>
140-2539-51,	<b>19</b>	148-0941,	<b>38</b>	150-2184,	<b>41</b>	155-1686,	<b>53</b>
140-2539-53,	<b>19</b>	148-0973,	<b>38</b>	150-2264,	<b>29, 31</b>	155-2245-01,	<b>53</b>
140-2628-01,	<b>19</b>	148-0974,	<b>38</b>	150-2364,	<b>31</b>	155-2245-02,	<b>53</b>
140-2628-02,	<b>19</b>	148-0975,	<b>37, 38</b>	150-2388,	<b>31</b>	155-2419-02,	<b>53</b>
140-2722-01,	<b>26, 37</b>	148-0976,	<b>37, 38</b>	150-2409,	<b>22</b>	155-2534,	<b>53</b>
140-2722-02,	<b>27</b>	148-0981-02,	<b>27</b>	150-2478,	<b>36</b>	159-0020,	<b>43</b>
140-2761,	<b>19</b>	148-0984-02,	<b>27</b>	150-2480,	<b>36</b>	159-0595,	<b>43</b>
140-2786,	<b>19</b>	148-1025,	<b>37</b>	150-2481,	<b>36</b>	159-0596,	<b>43</b>
140-2794,	<b>19</b>	149-1299,	<b>17</b>	150-2498,	<b>33</b>	159-0597,	<b>43</b>
140-2860,	<b>21</b>	149-1321,	<b>17, 37, 54</b>	150-2499,	<b>33</b>	159-0981,	<b>43</b>
140-2942,	<b>19</b>	149-1828,	<b>32</b>	150-2504-01,	<b>29</b>		

## Numerical Index

<u>Part No.</u>	<u>Page</u>	<u>Part No.</u>	<u>Page</u>	<u>Part No.</u>	<u>Page</u>	<u>Part No.</u>	<u>Page</u>
160-1345-01,	9	301-9964-51,	41	332-1993,	32, 47	338-3188-01,	47
160-1368,	9, 55	307-2750,	36	332-2073,	47	338-3188-02,	47
166-0761,	51	307-2751,	36	332-2301,	47, 48, 49, 50	338-3189,	47
166-0767,	51	307-2754,	37, 38	332-2715,	47, 48, 49	338-3226-01,	48
166-0770,	51	307-2758,	33	332-2870-01,	47	338-3332,	48
166-0771,	51	308-0385,	41	332-2890,	47, 48	338-3376,	47
166-0785,	17	308-0386,	41	332-2922,	47	338-3616,	47
166-0786,	17	309-0546,	45	332-2944,	47	357-0030,	47, 50
166-0787-01,	51	309-0559,	9	332-2973,	47, 48, 49	403-4202-02,	29
166-0820,	51	309-0583,	45	332-3143,	47	501-0008,	15, 43
167-0272,	51	309-0609,	45	332-3165,	47	502-0017,	15
167-1602,	51	309-0615,	45	338-2075,	49	502-0020,	15
168-0190,	7, 55	309-0641-17,	45	338-2104-01,	47	502-0053,	45
168-0191,	7, 55	309-0641-18,	45	338-2104-02,	47	502-0395,	54
190-0171,	42	309-0646-01,	45	338-2108,	41, 50	502-1038,	22
190-0288,	42	309-0646-02,	45	338-2109,	41, 50	502-1145,	37, 38
190-0289,	42	309-0646-04,	45	338-2390,	49	502-1146,	26
190-0576,	12	309-0646-05,	45	338-2454,	48	503-0171,	20
190-0597,	42	312-0256,	19, 20, 51	338-2522,	48	503-0301,	17, 54
190-0683,	12	321-0291,	47	338-2804-01,	47	503-0398,	20
190-0687,	12	323-0916,	47, 50	338-2804-02,	47	503-0707,	54
191-1210,	12	323-0987,	47, 50	338-2805,	47	503-0731,	22, 54
191-1276,	17	323-1216,	47, 50	338-2834,	49	503-1133,	19, 22, 26, 27, 37
191-1456,	17	323-1381,	48, 49	338-2841,	48	503-1141,	20, 21
191-1766,	40	323-1382,	47, 49	338-2846,	49	503-1199,	22
191-1847,	17, 29	323-1386,	47	338-2851-01,	47	503-1396,	20
191-1931,	40	323-1424,	47	338-2851-02,	47	503-1418,	22
191-1947,	39, 40	323-1451,	47	338-2852-01,	47	503-1606-01,	19, 22
191-1949-04,	39	323-1576,	47	338-2852-02,	47	503-1606-02,	19
191-1949-07,	39	323-1607,	47	338-2857,	47	503-1606-03,	26, 37
191-1950,	40	332-0529,	32	338-3178-01,	47	503-1606-05,	27
191-1951,	40	332-0806,	47, 48, 49	338-3178-02,	47	503-1798-01,	26, 27, 37
191-1953,	40	332-0819,	47, 48, 49	338-3179,	49	503-1882-01,	19
191-1954,	40	332-0942,	50	338-3182,	48	503-1882-02,	19
191-1955,	40	332-1048,	47	338-3184,	49	503-1882-03,	19, 26, 37
191-1956,	40	332-1303,	47, 48	338-3185-01,	47	503-1882-04,	27
191-2104,	17	332-1356,	26, 27, 37	338-3185-02,	47	504-0013,	43
191-2106,	29	332-1503,	47, 49, 50	338-3186,	47	505-0041,	43
191-2227,	29	332-1567,	47	338-3187-01,	47	505-0057,	43
301-0458,	19	332-1794,	26, 37, 38	338-3187-02,	47		

## Numerical Index

<u>Part No.</u>	<u>Page</u>	<u>Part No.</u>	<u>Page</u>	<u>Part No.</u>	<u>Page</u>	<u>Part No.</u>	<u>Page</u>
505-0110,	13	517-0261,	29	541-0191,	29	740-1004,	9
505-0266,	13	517-0293,	17	541-0194,	41	740-1006,	22, 26, 53
505-1426,	15	518-0004,	22, 31	541-0195,	47	750-1006,	39, 40
505-1462,	13	518-0006,	36	541-0213,	29	800-0004,	9, 21
508-0021,	19, 31, 33	518-0014,	11	541-0222,	12	800-0007,	7, 29, 33
508-0284,	41	518-0294,	9	541-0235,	45	800-0011,	7, 27
508-0331,	31	518-0347,	55	541-0236,	45	800-0028-01,	15
509-0008,	17, 55	518-0406,	17, 31	541-0239,	9	800-0030-01,	12
509-0040,	17, 55	518-0452,	55	541-0240,	41	800-0032-01,	17
509-0041,	7, 55	518-0515,	29, 41, 47, 51	541-0259,	17	800-0035,	22, 26
509-0117,	7, 55	518-0574,	51	541-0296,	31	800-0036,	22, 26
509-0142,	14, 55	520-0738,	42	541-0307,	12	800-0048,	53
509-0145,	20, 55	520-0739,	42	541-0319,	45	800-0050,	41
509-0269,	14, 55	520-0876,	7	541-0320,	20	800-0051-01,	7
509-0304,	14	520-0918,	7	541-0344,	9	800-0058,	22, 26
510-0013,	17	520-0919,	7	541-0369,	31	800-0075,	42
510-0014,	17	520-0933,	17	541-0374,	9	800-0200-01,	13
510-0015,	10	520-0948,	19	541-0411,	39	800-0302-01,	13
510-0105,	17	525-0394,	55	541-0412,	36	800-0512,	53
515-0001,	10, 11	526-0006,	29, 33	541-0418,	33	800-0512-01,	53
515-0007,	12	526-0008,	36	541-0419,	53	800-0515,	9
515-0041,	42	526-0017,	12	541-0424,	29	800-0595,	39
515-0103,	11	526-0018,	21, 26, 27, 29, 37	541-0433,	14	800-4072,	33
515-0146,	11	526-0021,	29, 33	541-0434,	14	801-0050,	9
515-0198,	11	526-0022,	53	541-0435,	14	802-0055,	53
515-0230,	11	526-0029,	41	541-0436-02,	45	803-0071,	9
515-0263,	11	526-0063,	7	541-0437-02,	47	805-0010,	9
515-0284,	12	526-0065,	15, 17	541-0442,	38	805-0019,	53
516-0059,	29, 33, 34	526-0066,	9	541-0443,	38	809-0035,	7
516-0072,	7	526-0122,	22, 26, 39	541-0457-01,	19	813-0106,	20
516-0130,	17	526-0140,	34	541-0457-02,	19	813-0108,	43
516-0141,	7	526-0234,	19	541-0458-01,	19	815-0046,	17
517-0048-01,	7	526-0250,	7	541-0458-02,	19	815-0178,	20
517-0067,	7	526-0251,	13, 22, 26	541-0459,	19	815-0181,	31
517-0136,	29	526-0356,	12	541-0512,	37	815-0194,	15, 29, 41
517-0165,	55	526-0402,	7	542-7101,	53	815-0261,	31, 51
517-0174,	31	541-0147,	21	542-7119,	53	815-0290,	29, 36
517-0177,	33	541-0175,	47	542-7120,	53	815-0293,	37, 38
517-0252,	31	541-0190,	34	542-7122,	53	815-0337,	29
517-0252-01,	20			542-7129,	53	815-0340,	17

## Numerical Index

<u>Part No.</u>	<u>Page</u>	<u>Part No.</u>	<u>Page</u>	<u>Part No.</u>	<u>Page</u>	<u>Part No.</u>	<u>Page</u>
815-0359,	<b>29, 34, 35</b>	862-0003,	<b>53</b>				
815-0389,	<b>19</b>	862-0015,	<b>17</b>				
815-0391,	<b>29</b>	865-0020,	<b>19</b>				
815-0436,	<b>29</b>	865-0029,	<b>19</b>				
815-0439,	<b>29, 33</b>	870-0053,	<b>36, 43</b>				
815-0463,	<b>19</b>	870-0065,	<b>21</b>				
815-0470,	<b>19</b>	870-0131,	<b>31</b>				
815-0474,	<b>29, 41, 47</b>	870-0212,	<b>33, 36</b>				
815-0480,	<b>36</b>	870-0297,	<b>41</b>				
815-0510,	<b>29</b>	870-0298,	<b>36</b>				
815-0555,	<b>54</b>	870-0365,	<b>19</b>				
815-0563,	<b>29</b>	870-0399,	<b>19</b>				
815-0575,	<b>19, 31</b>	870-0410,	<b>14</b>				
815-0576,	<b>14</b>	98-4240,	<b>12</b>				
815-0650,	<b>41, 51</b>						
815-0659,	<b>17</b>						
815-0682,	<b>9</b>						
815-0687,	<b>12</b>						
815-0693,	<b>29, 34</b>						
815-0721,	<b>31</b>						
815-0760,	<b>14</b>						
815-0800,	<b>33</b>						
815-0820,	<b>34</b>						
821-0004,	<b>34, 35, 36</b>						
821-0008,	<b>29, 53</b>						
821-0009,	<b>41</b>						
821-0010,	<b>17, 29, 33</b>						
821-0013,	<b>26, 37</b>						
821-0014,	<b>12</b>						
821-0016,	<b>29</b>						
821-0018,	<b>37, 38, 51</b>						
850-0030,	<b>20</b>						
850-0040,	<b>29</b>						
850-0045,	<b>12, 53</b>						
850-0050,	<b>42, 53</b>						
850-0055,	<b>42</b>						
851-0029,	<b>7, 41</b>						
853-0013,	<b>9, 17, 20</b>						
854-0010,	<b>17</b>						
862-0001,	<b>41</b>						



**Onan Corporation**  
**1400 73rd Avenue N.E.**  
**Minneapolis, MN 55432**  
**1-800-888-ONAN**  
**612-574-5000 International Use**  
**Telex: 275477**  
**Fax: 612-574-8087**

Onan is a registered trademark of Onan Corporation