

PARTS CATALOG

FOR

SERIES

CCKA

INDUSTRIAL ENGINES

MODELS

CCKA-MS/1831G

CCKA-MS/1897G

CCKA-MS/1949G

CCKA-MS/2043G

CCKA-MS/2111G

CCKA-MS/2567G

CCKA-MS/2813J

CCKA-MS/3110J

CCKA-MS/3612J

PARTS CATALOG


INSTRUCTIONS FOR ORDERING REPAIR PARTS

For parts or service, contact the dealer from whom you purchased this equipment or refer to your Nearest Authorized Onan Parts and Service Center.

To avoid errors or delay in filling your parts order, please furnish all information requested.

Always refer to the nameplate on your unit:

1. Always give the MODEL and SPEC NO. and SERIAL NO.

	
MODEL AND SPEC NO	
[REDACTED]	
SERIAL NO [REDACTED]	
IMPORTANT ALWAYS GIVE ABOVE NOS WHEN ORDERING PARTS	
HORSEPOWER	16.5
OIL CAPACITY	2 QUARTS
CHECK OIL LEVEL DAILY	
BELOW 30 F. SAE 5W20	
ABOVE 30 F. SAE 30	
CHANGE OIL AFTER FIRST 5 HOURS	
CHANGE OIL EVERY 40 OPERATING HOURS.	
EVERY 20 HOURS DUSTY CONDITIONS	
FUEL	REGULAR GASOLINE
BATTERY	12V NEG GND
DO NOT REVERSE BATTERY CONNECTIONS	
VALVES (COLD)	IN 010. EXH 012
SPARK PLUG GAP	025
POINT GAP	020
MANUFACTURED BY	
ONAN	
DIVISION OF ONAN CORPORATION	
MINNEAPOLIS, MINNESOTA, U.S.A.	
99A1135	

For handy reference, insert YOUR engine nameplate information in the spaces above.

2. Do not order by reference number or group number; always use part number and description.
3. Give the part number, description and quantity needed of each item. If an older part cannot be identified, return the part prepaid to your dealer or nearest AUTHORIZED SERVICE STATION. Print your name and address plainly on the package. Write a letter to the same address stating the reason for returning the part.
4. State definite shipping instructions. Any claim for loss or damage to your unit in transit should be filed promptly against the transportation company making the delivery. Shipments are complete unless the packing list indicates items are back ordered.

Prices are purposely omitted from this Parts Catalog due to the confusion resulting from fluctuating costs, import duties, sales taxes, exchange rates, etc.

For current parts prices, consult your Onan Dealer, Distributor or Parts and Service Center.

"En esta lista de partes los precios se omiten de proposito, ya que bastante confusion resulto de fluctuaciones de los precios, derechos aduanales, impuestos de venta, cambios extranjeros, etc."

Consiga los precios vigentes de su distribuidor de productos "ONAN".

This catalog applies to the CCKA Engines listed below. Parts are arranged in groups of related items. Each illustrated part is identified by a reference number corresponding to the same reference number following the illustration. Parts illustrations are typical. Using the MODEL and SPEC NO. from the engine nameplate, select the PARTS KEY NO. (1,2, etc., in the last column) that applies to your Engine Model and Spec No. This PARTS KEY NO. represents parts that differ between models. Unless otherwise mentioned in the description, parts are interchangeable between models. Right and left engine sides are determined by FACING the blower end (front) of the engine.

MODEL AND SPEC NO.	PARTS KEY NO.
CCKA-MS/1831G*	1
CCKA-MS/1897G*	2
CCKA-MS/1949G*	3
CCKA-MS/2043G*	4
CCKA-MS/2111G*†	5
CCKA-MS/2813J*	6
CCKA-MS/3110J*	7
CCKA-MS/3612J*	8

* - The Specification Letter Advances (A to B, B to C, etc.) with manufacturing changes.

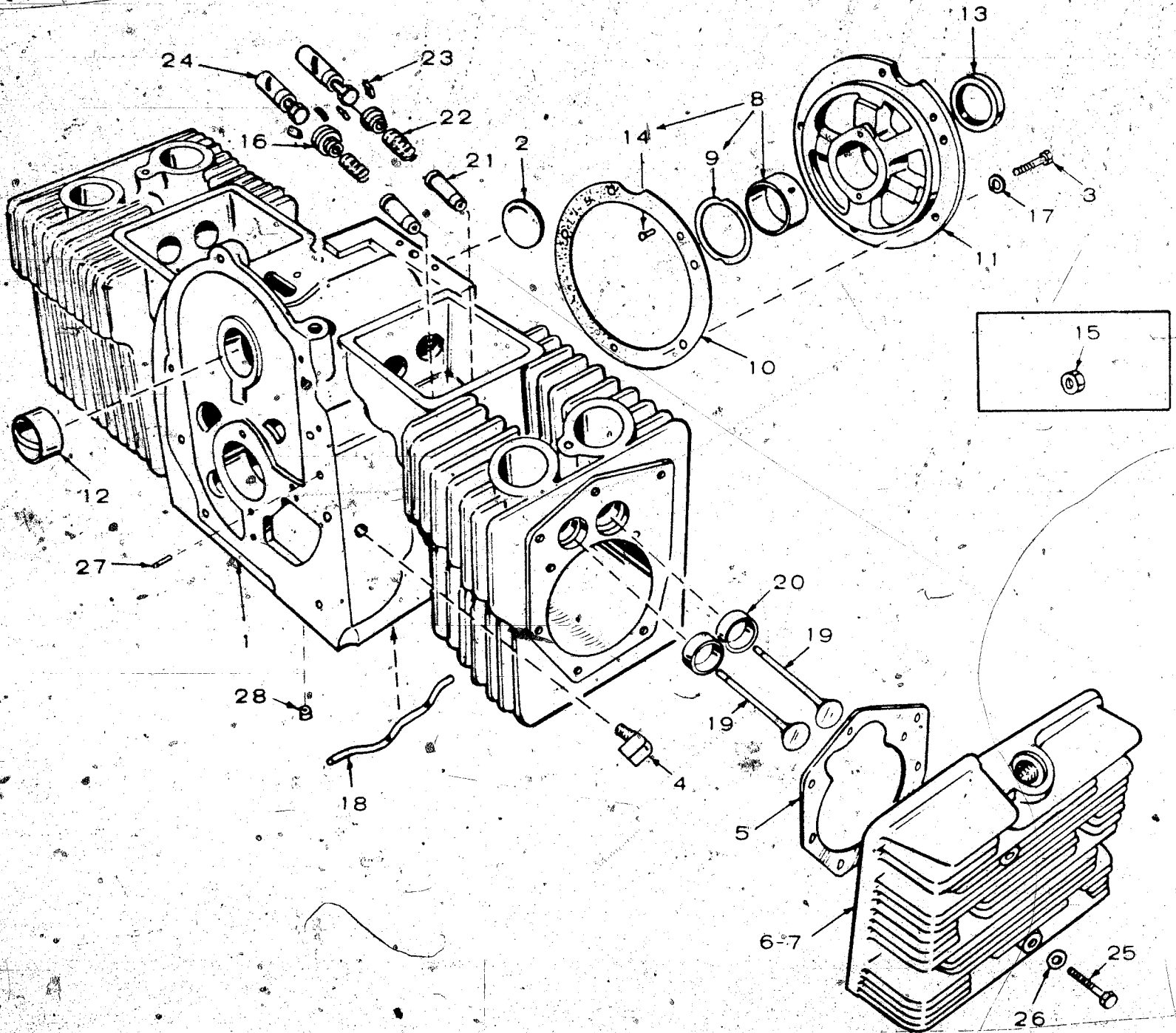
† - CCKA-MS/2567G is replacement engine for CCKA-MS/2111G and is identical.

INDEX

GROUP TITLE

INTRODUCTION.....	A3
DATA TABLE	A3
Alternator, Flywheel	A13
Block, Cylinder	A5, A6
Camshaft	A8
Carburetor Parts	A12
Crankshaft	A9
Fuel System	A10
Gear Cover	B2
Governor	B1
Housing, Blower	B1
Ignition	A14
Oil System	A7
Piston and Connecting Rod	A8
Pump Parts, Fuel	A11
Service Kits and Miscellaneous	B2
Starter Motor	A13

CYLINDER BLOCK

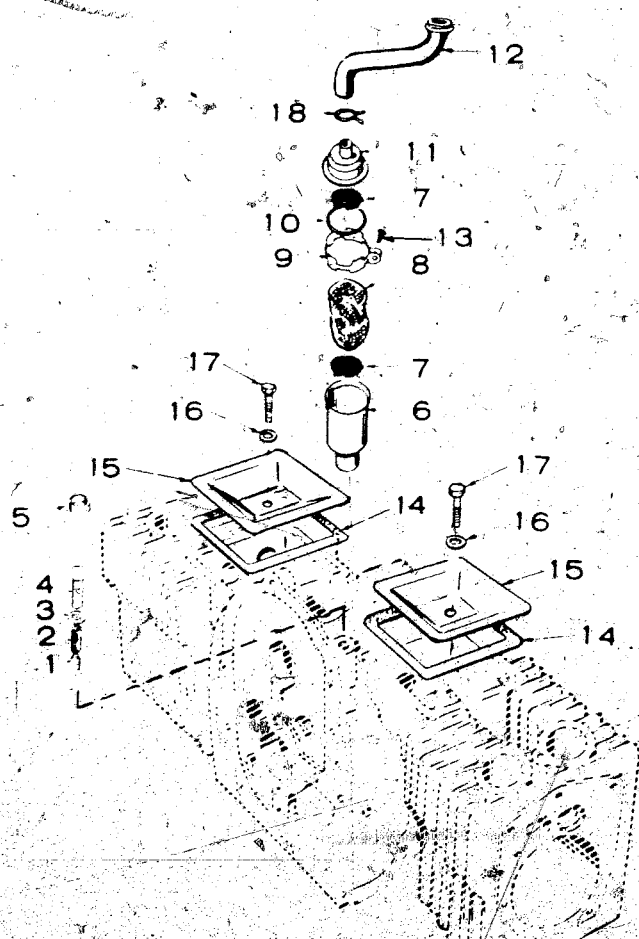


CYLINDER-BLOCK

REF NO.	PART NO.	QTY USED	PART DESCRIPTION	REF NO.	PART NO.	QTY USED	PART DESCRIPTION
1	BLOCK ASSEMBLY			16	110-0904	4	Rotacap Valve
	110-1770	1	Key 1,2,3,4	17	851-0005	5	Washer, Lock - Rear Bearing Plate (Special)
	110-1911	1	Key 5,6,7,8	18	120-0386	1	Tube, Crankcase Oil
2	517-0048	1	Plug, Camshaft Expansion	19	VALVE		
3	800-0512	5	Screw, Cap - Hex Head Rear Bearing Plate Mounting (5/16-18 x 1")		110-1037	2	Intake
4	502-0020	1	Elbow, Street, Oil Line (Keys 1,2,3,4 & 5)		110-0880	2	Exhaust
5	110-0892	2	Gasket, Cylinder Head	20	INSERT VALVE SEAT		
6	110-0884	1	Head, Cylinder - Right (#2 Cylinder)		110-0872	2	Exhaust, Standard
7	110-0883	1	Head, Cylinder - Left (#1 Cylinder)		110-0872-02	2	Exhaust, .002" Oversize
8	BEARING, CRANKSHAFT				110-0872-05	2	Exhaust, .005" Oversize
	101-0450	2	Standard		110-0872-10	2	Exhaust, .010" Oversize
	101-0450-02	2	.002" Undersize		110-0872-25	2	Exhaust, .025" Oversize
	101-0450-10	2	.010" Undersize		110-1000	2	Intake, Standard
	101-0450-20	2	.020" Undersize		110-1000-02	2	Intake, .002" Oversize
	101-0450-30	2	.030" Undersize		110-1000-05	2	Intake, .005" Oversize
9	104-0575	2	Washer, Crankshaft Bearing Thrust		110-1000-10	2	Intake, .010" Oversize
10	GASKET KIT, BEARING PLATE				110-1000-25	2	Intake, .025" Oversize
	101-0413	1	Key 1,2,3,4	21	110-0902	4	Guide Valve
	101-0115	1	Key 5,6,7,8	22	110-0539	4	Spring, Valve
11	101-0316	1	Plate, Bearing (Excludes Bearing)	23	110-0639	8	Lock, Valve and Spring Retaining
12	101-0367	2	Bearing, Camshaft Front or Rear (Precision)	24	TAPPET VALVE		
13	509-0041	1	Seal, Bearing Plate		115-0006	4	Standard
14	516-0072	4	Pin, Main Bearing Stop		115-0006-05	4	.005" Oversize
15	110-0445	5	Nut, Rear Bearing Plate (Key 1,2,3,4,5,8)	25	SCREW, CAP HEX HEAD		
					110-0879	8	5/16-18 x 1-1/4" lg (Special)
					114-0022	10	5/16 x 1-3/4" lg (Special)
				26	526-0122	18	Washer, Flat - Cylinder Head Mounting (11/32" I.D. x 23/64" x 10/64" Thk)
				27	516-0011	2	Pin, Dowel - Gearcase Alignment
				28	517-0090	1	Plug, Wet Hole (Plastic)

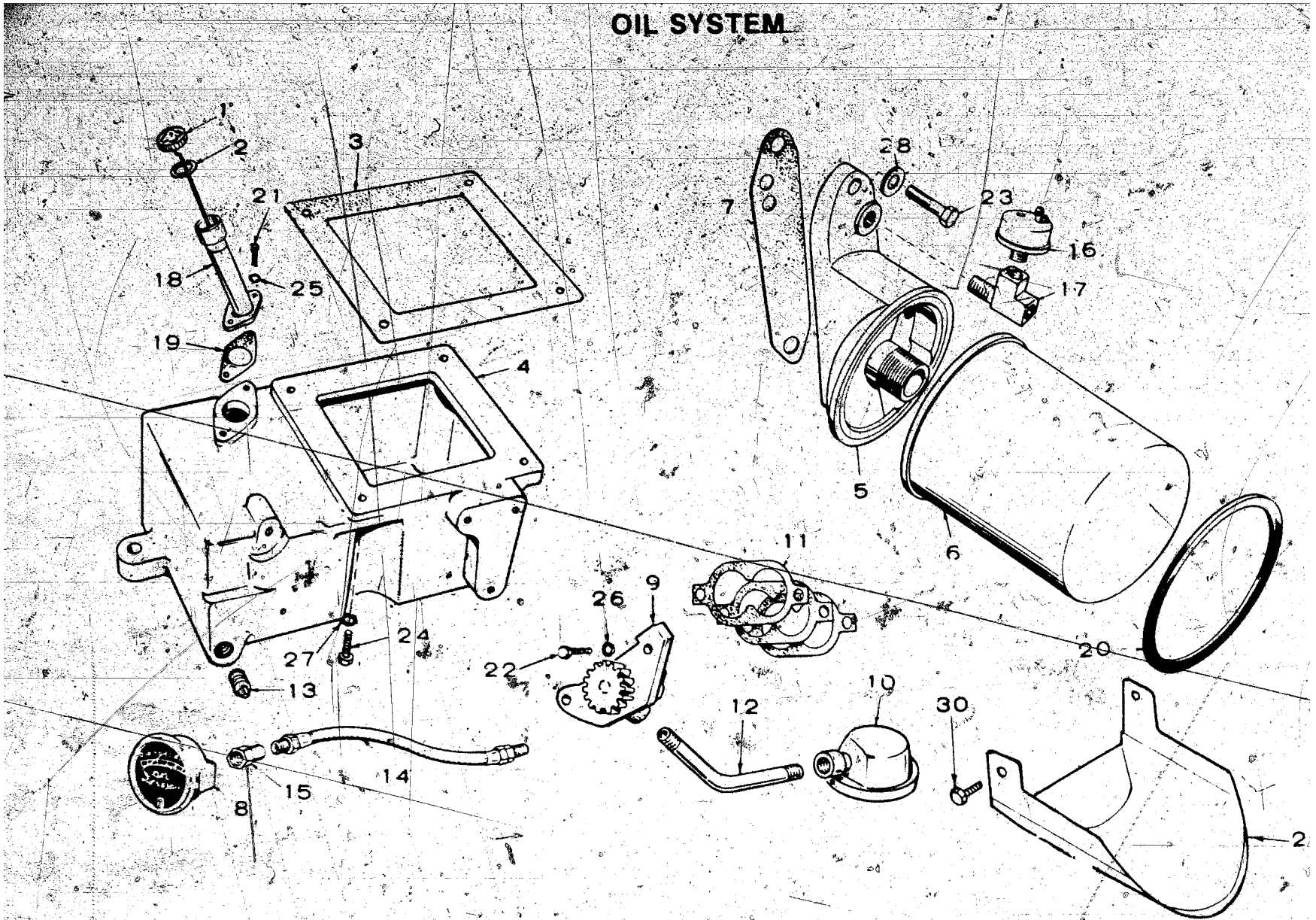
- Parts included in Cylinder Block Assembly

VALVE COVER AND OIL BY-PASS



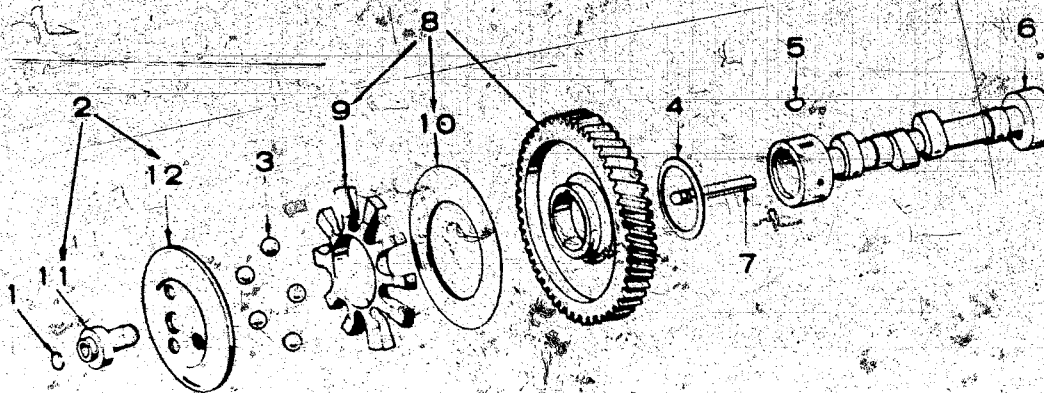
REF. NO.	PART NO.	QTY. USED	PART DESCRIPTION
1	123-0398	1	Valve, Oil By-Pass
2	120-0140	1	Spring, Oil By-Pass Valve
3	526-0066	1	Washer, Flat, Oil Pressure Valve (25/64" ID x 9/16" x 1/16" Thk)
4	120-0187	1	Stud, Oil By-Pass Adjustm (Includes Nuts) Keys 1,2
4	801-0050	1	Screw, Cap - Hex Head Oil By-Pass Adjustment (3/8-24 x 1" lg)
4	801-0048	1	Screw, Cap - Hex Head - C By-Pass Adjustment (5/16-18 x 1" lg) - Key 6
5	120-0704	1	Spacer, Oil By-Pass (Key 5)
6	123-0953	1	Tube, Breather
7	123-0958	2	Screen, Breather Tube
8	123-0865	1	Baffle, Breather Tube
9	123-0951	1	Clamp, Breather Cap
10	509-0117	1	Seal, O' Ring - Breather T
11	123-0954	1	Cap, Breather Tube
12	TUBE, BREATHER		
	503-0574	1	Keys 1,2,3,4,5
	123-1264	1	Key 6,7,8
13	809-0035	1	Screw, Cap - Hex Head - B Cap Clamp (#8 x 3/4" lg)
14	110-0667	2	Gasket, Valve Cover
15	110-0666	2	Cover, Valve Cover
16	526-0063	2	Washer, Flat - Valve Cover Mounting (17/64" ID x 7/8" x 1/32" Thk)
17	800-0012	2	Screw, Cap - Hex Head -

OIL SYSTEM



REF. NO.	PART NO.	QTY. USED	PART DESCRIPTION	REF. NO.	PART NO.	QTY. USED	PART DESCRIPTION
1	123-1102	1	Cap & Indicator, oil Fill	17	502-0058	1	Tee, Low Oil Pressure Switch - Key 4.5.6.7.8
2	123-0191	1	Gasket, Oil Fill Cap	18	123-0674	1	Tube, Oil Fill
3	102-0158	1	Gasket, Oil Base Mounting	19	141-0078	1	Gasket, Oil Fill Tube Mounting
4	102-0655	1	Base, Oil	20	122-0347	1	Seal, Air - Oil Filter
5	122-0320	1	Adapter, Oil Fill	21	800-0005	2	Screw, Cap - Hex Head - Oil Fill Tube Mounting (1 4-20 x 3 4" lg)
6	122-0323	1	Filter, Oil (Spin-On)	22	800-0007	2	Screw, Cap - Hex Head Oil Pump Mounting (1 4-20 x 1" lg)
7	122-0321	1	Gasket, Oil Filter Adapter	23	800-0028	2	Screw, Cap - Hex Head - Oil Filter Adapter Mounting (5-16-18 x 1)
8	193-0005	1	Gauge, Oil Pressure - Key 1,2,3	24	102-0455	4	Screw, Cap - Hex Head - Oil Base Mounting (3 8-16 x 1" lg)
9	120-0491	1	Pump, Oil - Complete (NOTE: Internal parts not sold separately)	25	850-0040	2	Washer, Lock - Spring - Oil Fill Tube Mounting (1 4")
10	120-0663	1	Intake, Oil Pump (Includes Cup and Screen)	26	850-0040	2	Washer, Lock - Spring - Oil Pump Mounting (1 4")
11	120-0161	1	Gasket Kit, Oil Pump	27	850-0050	4	Washer, Lock - Spring - Oil Base Mounting (3 8")
12	120-0689	1	Line, Oil Pump Intake	28	526-0065	2	Washer, Flat - Oil Filter Adapter Mounting (21 64" ID x 9 16" OD x 1 16")
13	505-0056	1	Plug, Oil Drain	29	122-0352	1	Pan, Oil Drain
14	501-0003	1	Line, Oil Gauge (Flexible)	30	815-0194	2	Screw, Tapping - Hex Head with ET (#10-32 x 3 8")
15	502-0017	1	Connector, Oil Line				
16	309-0237	1	Switch, Low Oil Pressure - Key 4.5.6.7.8				

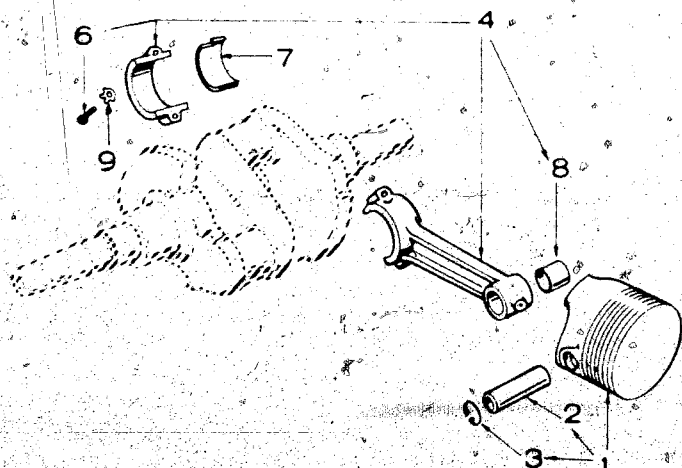
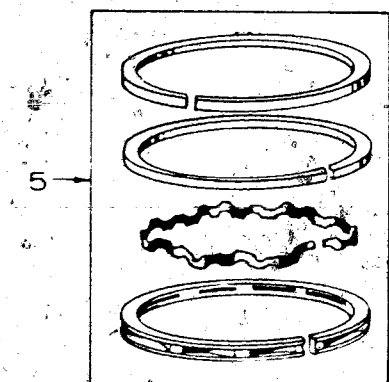
CAMSHAFT



REF. NO.	PART NO.	QTY. USED	PART DESCRIPTION
1	150-0078	1	Ring, Camshaft Center Pin
2	150-1695	1	Kit, Governor Cup
3	510-0015	5	Ball, Fly - Governor
4	105-0004	1	Washer, Camshaft Gear Thrust
5	515-0001	1	Key, Camshaft Gear Mounting
6	105-0238	1	Camshaft (Includes Pin)
7	150-0075	1	Pin, Camshaft Center
8	105-0332	1	Gear, Camshaft (Includes Parts Marked *)
9	150-1257	1	Spacer, Flyball
10	150-0077	1	Plate, Flyball
11	150-1519	1	Hub, Governor Cup
12	150-1520	1	Cup, Governor

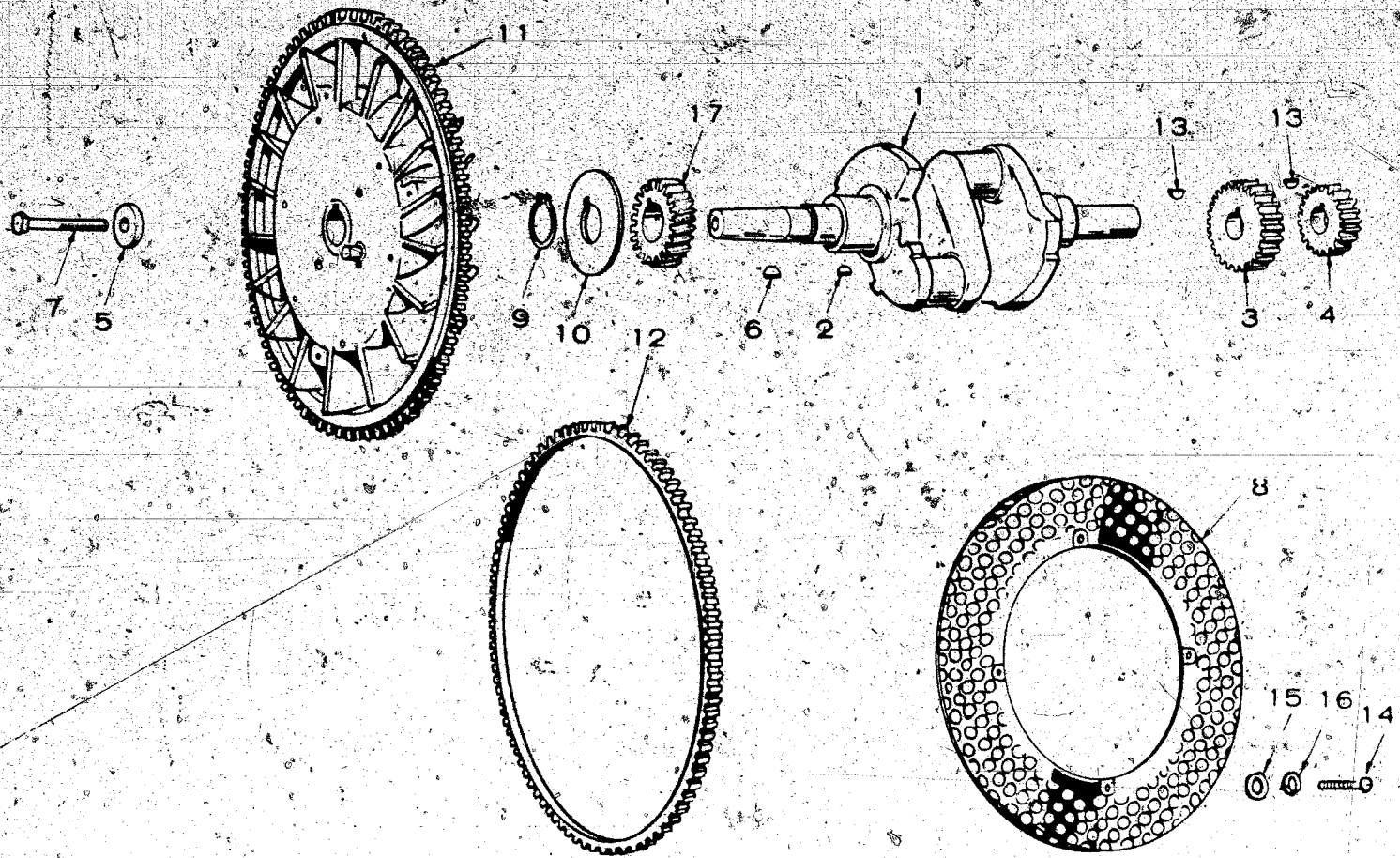
* Parts included in 105-0332 Camshaft Gear

PISTON AND CONNECTING ROD



REF. NO.	PART NO.	QTY. USED	PART DESCRIPTION
1	PISTON & PIN (includes Retaining Rings)		
	112-0136	2	Standard
	112-0136-05	2	.005" Oversize
	112-0136-10	2	.010" Oversize
	112-0136-20	2	.020" Oversize
	112-0136-30	2	.030" Oversize
	112-0136-40	2	.040" Oversize
2	PIN, PISTON		
	112-0069	2	Standard
3	112-0003	4	Ring, Piston Pin Retaining
4	114-0203	2	Rod Assembly, Connecting (Fo. Includes Bushing and Place E
5	RING SET, PISTON		
	113-0153	2	Standard
	113-0153-05	2	.005" Oversize
	113-0153-10	2	.010" Oversize
	113-0153-20	2	.020" Oversize
	113-0153-30	2	.030" Oversize
	113-0153-40	2	.040" Oversize
6	805-0010	4	Bolt, Place - Connecting Rods (5.16-24 x 1/4" lg)
7	BEARING, CONNECTING ROD		
	114-0145	4	Standard
	114-0145-02	4	.002" Undersize
	114-0145-10	4	.010" Undersize
	114-0145-20	4	.020" Undersize
	114-0145-30	4	.030" Undersize
8	114-0036	2	Bushing, Piston Pin - Connect Rod
9	114-0059	4	Washer, Connecting Rod Screws

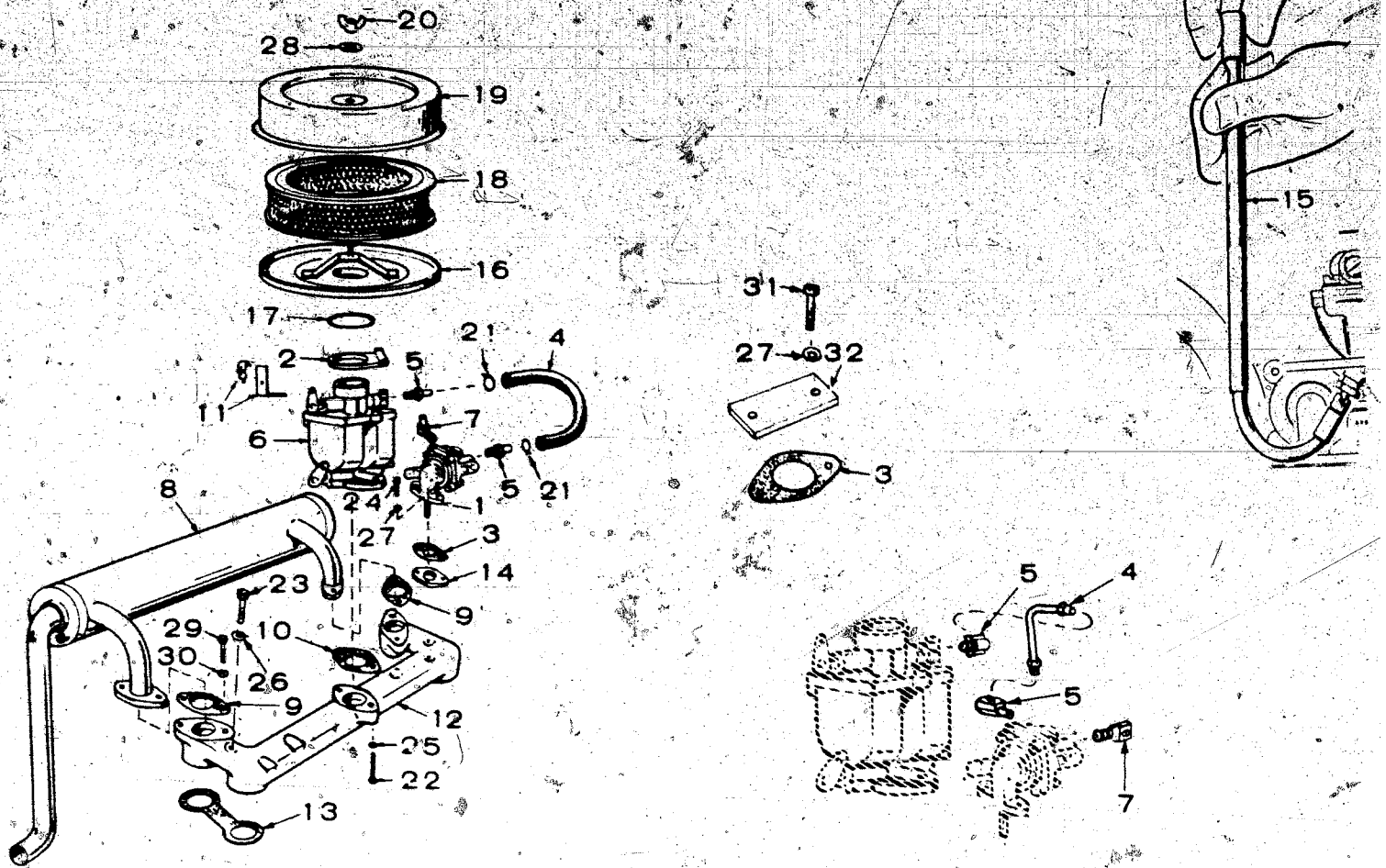
CRANKSHAFT



REF. NO.	PART NO.	QTY USED	PART DESCRIPTION
1	CRANKSHAFT	1	CRANKSHAFT
	104-0710	1	Key 1,2,3 & 4
	104-0774	1	Key 5
	104-0885	1	Key 6,7,8
2	515-0001	1	Key, Crankshaft Gear Mounting
3	190-0284	1	Gear, Transmission Drive (3-3/16") - Key 4
4	190-0285	1	Gear, Transmission Drive (2-5/16") - Key 4
5	526-0128	1	Washer, Flywheel Mounting
6	515-0098	1	Key, Flywheel Mounting
7	104-0170	1	Screw, Flywheel Mounting (Special)
8	134-1889	1	Screen, Flywheel
9	518-0014	1	Lock, Crankshaft Gear Washer
10	104-0043	1	Washer, Crankshaft Gear Retaining
11	134-2556	1	Flywheel (Includes Ring Gear)
12	134-0673	1	Gear, Ring - Flywheel
13	515-0094	2	Key, Transmission Drive Gears - Key 4
14	812-0125	3	Screw, Roundhead (12-29 x 1/2") Guard Mounting
15	526-0006	3	Washer, Flat (#12) - Guard Mounting
16	850-0035	3	Washer, Lock (#12) - Guard Mounting
17	104-0032	1	Gear, Crankshaft

- Order these parts from the tractor manufacturer.

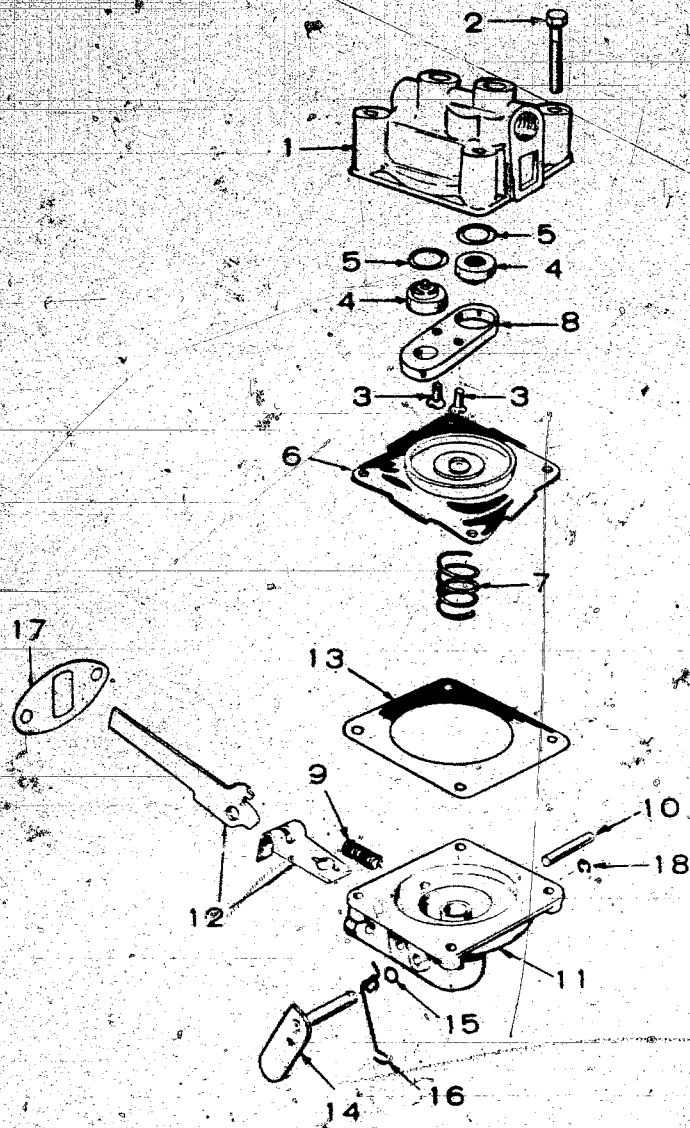
FUEL SYSTEM



REF. NO.	PART NO.	QTY. USED	PART DESCRIPTION
1	149-0693	1	Pump, Fuel - Key 1,2,3,4,5,6,7 (See Separate Group for Components)
2	140-1058	1	Clamp, Air Cleaner
3	GASKET		
	149-0003	2	Key 1,2,3,4,5,6,7
	149-0003	1	Key 8
4	LINE, FUEL		
	149-0611	1	Key 1,2,3,4,5
	503-0694	1	Key 6,7
5	CONNECTOR, FUEL LINE		
	502-0002	2	Key 1,2,3,4,5 - (1) Fuel Pump Outlet, (1) Carburetor Inlet
	502-0395	2	Key 6,7 - (1) Fuel Pump Outlet, (1) Carburetor Inlet
	502-0395	1	Key 8 - Carburetor Inlet
6	CARBURETOR (See Separate Group for Components)		
	142-0482	1	Key 1,2,3,4
	142-0593	1	Key 5,6,7,8
7	CONNECTOR, FUEL LINE		
	502-0020	1	Key 1,2,3,4,5 (Fuel Pump Inlet)
	502-0313	1	Key 6,7 (Fuel Pump Inlet)
8	MUFFLER, EXHAUST		
	155-1065	1	Keys 1,2,3
	155-0480	1	Key 4,5,6,7,8
9	154-0360	2	Gasket, Muffler
10	141-0078	1	Gasket, Carburetor Mounting
11	153-0263	1	Bracket and Clip, Choke Cable
12	154-0356	1	Manifold, Intake
13	154-0013	2	Gasket, Intake Manifold
14	149-0045	1	Spacer, Fuel Pump Mounting
15	420-0169	1	Wrench, Carburetor Adjusting
16	BASE AIR CLEANER		

REF. NO.	PART NO.	QTY. USED	PART DESCRIPTION
17	509-0124	1	Seal, "O" Ring - Air Cleaner
18	140-1055	1	Element, Air Cleaner
19	140-1053	1	Cover, Air Cleaner
20	865-0022	1	Nut, Wfng - Air Cleaner
21	503-0301	2	Clamp, Fuel Hose
22	800-0009	2	Screw, Cap - Hex Head Carburetor Mounting (1/4-20 x 1-1/2" lg)
23	800-0054	2	Screw, Cap - Hex Head - Intake Manifold Mounting (3/8-16 2" lg)
24	815-0222	2	Screw, Machine - Fillister Head Fuel Pump Mounting (1/4-20 1-1/4" lg)
25	850-0040	2	Washer, Lock - Spring - Carburetor Mounting (1/4")
26	850-0050	2	Washer, Lock - Spring - Intake Manifold Mounting (3/8")
27	526-0063	2	Washer, Flat - Fuel Pump Mounting (17/64" ID x 7/16" OD x 1/32"
28	526-0008	1	Washer, Flat - Air Cleaner Cover Mounting (13/64" ID x 7/16" x 1/32" Thk)
29	800-0028	4	Screw, Cap - Hex Head (5/16"-18 x 1")
30	850-0045	4	Washer, Lock - Spring (5/16")
31	800-0004	2	Screw, Cap - Hex Head (1/4-20 x 5/8")
32	149-0136	1	Plate, Fuel Pump Hole - Key 8

FUEL PUMP PARTS



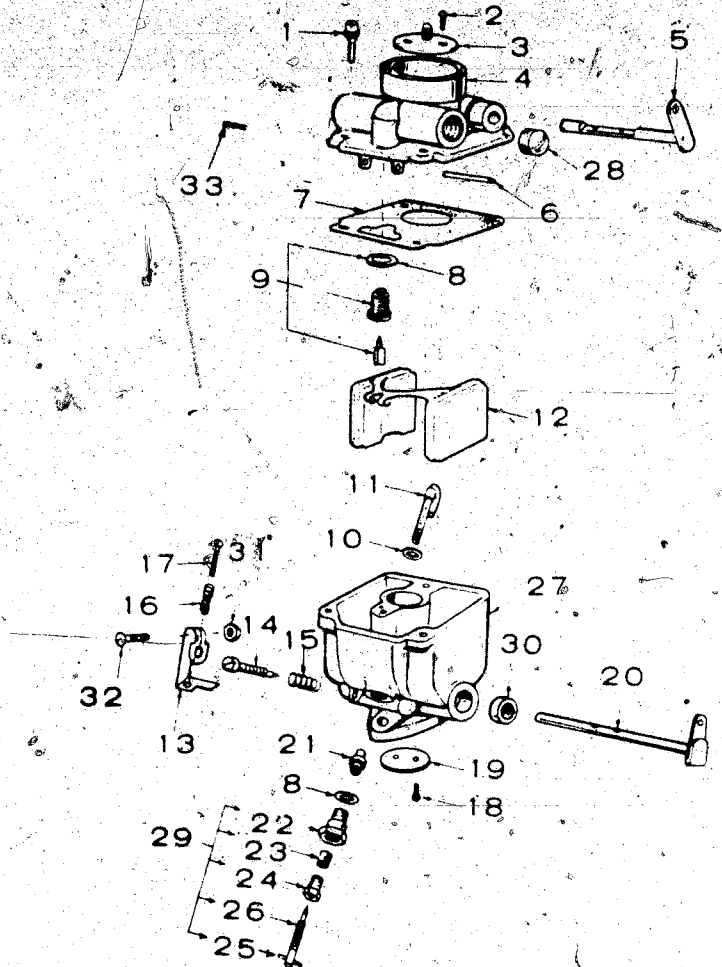
REF. NO.	PART NO.	QTY. USED	PART DESCRIPTION
	149-0693	1	Pump, Fuel - Key 1,2,3,4,5,6,7
	149-0526	1	Repair Kit (Includes Parts Marked *)
1		1	Body (Not Sold Separately)
2	815-0148	4	Screw, Self Tapping (#8-32 x 7/8")
3	815-0147	2	Screw, Phillips Self Tapping (#6-32 x 5/8") - Retainer
4	149-0096	2	Valve and Cage
5	149-0095	2	Gasket, Valve
6	149-0582	1	Diaphragm Assembly
7	149-0672	1	Spring
8	149-0539	1	Retainer, Valve Cage
9	149-0675	1	Spring
10	516-0113	1	Pin, Rocker Arm
11		1	Body (Not Sold Separately)
12	149-0710	1	Link and Arm, Rocker (Sold Only as a Set)
13	149-0858	1	Gasket, Diaphragm - Lower Side
14	149-0551	1	Lever, Primer
15	509-0065	2	Seal, "O" Ring
16	149-0404	1	Spring, Primer Lever
17	149-0003	1	Gasket, Pump Mounting
18	518-0129	1	Ring, Retainer - Primer Lever

* Parts Included in 149-0526 Repair Kit.

CARBURETOR PARTS

REF. NO.	PART NO.	QTY. USED	PART DESCRIPTION
CARBURETOR			
	142-0482	1	Key 1,2,3,4
	142-0593	1	Key 5,6,7,8
	142-0371	1	Repair Kit, Carburetor - Includes Parts Marked **)
	142-0033	1	Gasket Kit, Carburetor - Includes Parts Marked *)
1	815-0103	1	Screw, Bowl Cover
1	815-0109	2	Screw, Bowl Cover
2	815-0091	2	**Screw, Choke Fly, (4-40 x 3/16")
3	142-0055	1	Fly, Choke
4	142-0205	1	Sleeve Assembly, Choke (Cover)
5	SHAFT ASSEMBLY CHOKE		
	142-0420	1	Key 1,2,3,4
	142-0530	1	Key 5,6,7,8
6	142-0039	1	**Shaft, Float
7	142-0031	1	*Gasket, Body to Bowl
8	148-0017	2	*Gasket (1) Float Valve Seat (1) Main Adjusting Needle
9	142-0049	1	**Valve and Seat Assembly
10	142-0032	1	*Gasket, Nozzle
11	142-0285	1	Nozzle Assembly
12	142-0361	1	Float and Lever Assembly
13	145-0008	1	Lever, Idle Stop
14	142-0040	1	**Needle, Idle Adjusting
15	142-0282	1	Spring, Idle Needle Adjusting
16	142-0035	1	Spring, Throttle Stop Adjusting Screw
17	812-0063	1	Screw, Throttle Stop Adjusting (4-32 x 1-2")
18	815-0072	2	**Screw, Throttle Fly (4-40 x 1/4")
19	142-0369	1	Fly, Throttle
20	142-0368	1	**Shaft Assembly, Throttle
21	142-0370	1	Nut and Jet Nozzle
22	142-0046	1	Retainer, Main Adjusting Needle
23	142-0206	1	**Packing, Main Adjusting Needle
24	142-0045	1	Retainer, Main Adjusting Needle Packing
25	516-0027	1	Pin, Main Adjusting Needle
26	142-0041	1	*Needle, Main Adjusting
27		1	Body Assembly (Not Sold Separately)
28	505-0008	1	Plug, Gas Inlet
29	142-0042	1	Needle Assembly (Includes Packing, Nut and Retainer)
30	142-0343	2	**Bushing, Throttle Shaft
31	870-0053	1	Nut, Throttle Stop
32	813-0103	1	Screw, Throttle Stop Clamp
33	142-0227	1	Pin, Choke Stop

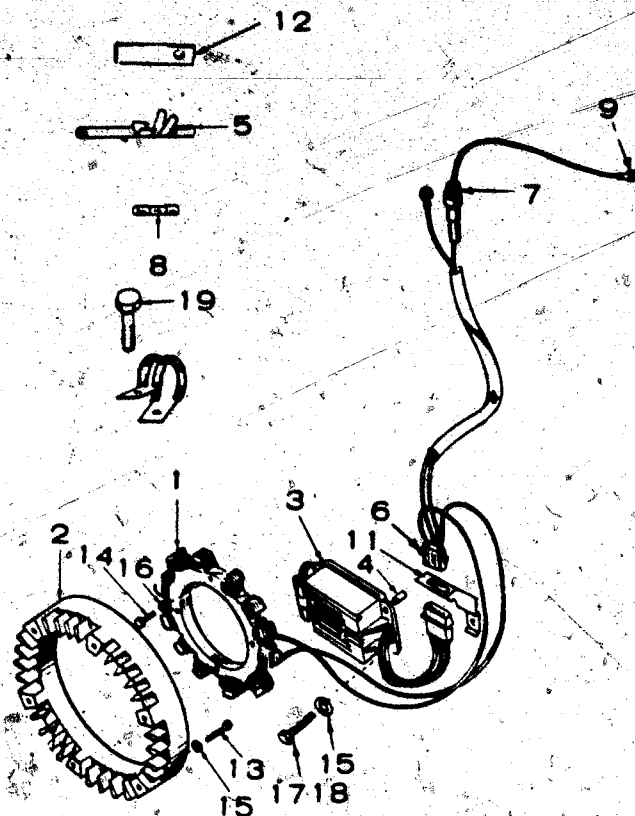
- Parts contained in 142-0033 Gasket Kit.
 ** - Parts contained in 142-0371 Repair Kit.



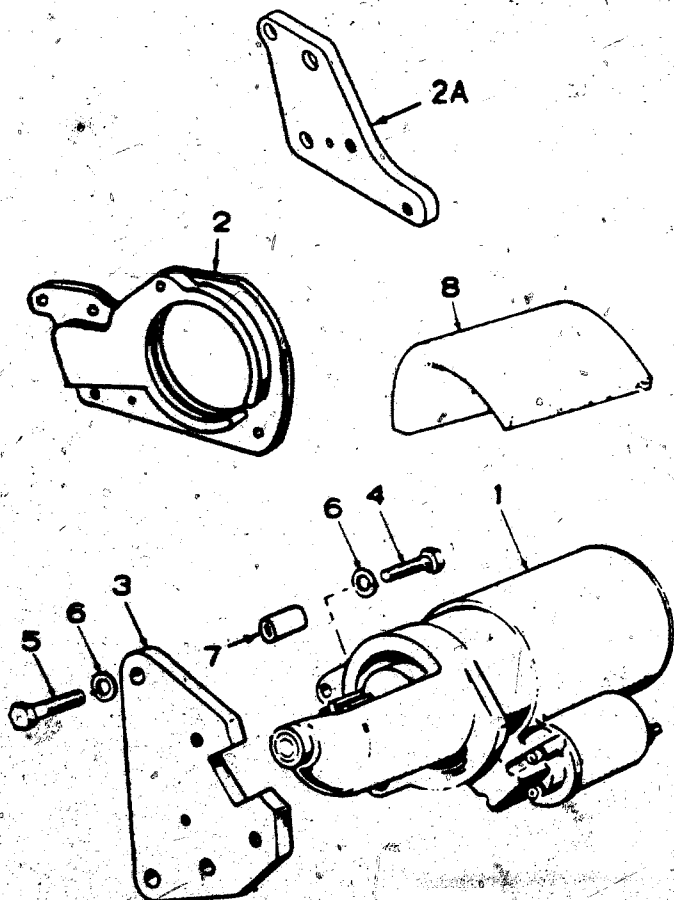
FLYWHEEL ALTERNATOR

REF. NO.	PART NO.	QTY. USED	PART DESCRIPTION
1	STATOR, CHARGING ALTERNATOR (Includes Parts Marked *		
	191-0739	1	Key 1,2,3,4
	191-0892	1	Key 5,6,7,8
2	191-0400	1	Rotor, Charging Alternator.
3	305-0478	1	Regulator, Rectifier
4	305-0477	1	Spacer, Regulator Mounting
5	323-0488	4	Socket, Connecting
6	323-0789	1	Housing, Connecting Sockets
7	321-0165	1	Holder, Fuse
8	321-0162	1	Fuse (30 Amp)
9	332-0529	1	Terminal, Faston
10	332-1338	2	Clamp, Loop Type
11	332-1358	1	Bracket, Connector Mounting
12	191-0793	1	Clip, Wiring Harness
13	812-0156	6	Screw, Machine - Round Head Rotor Mounting (1/4-20 x 1-1/2" lg)
14	813-0109	3	Screw, Machine - Round Head - Stator Mounting (#10-32 x 1-3/4" lg)
15	850-0040	9	Washer, Lock - Spring (1/4")
16	850-0030	3	Washer, Lock - Spring (#10)
17	800-0006	2	Screw, Cap - Hex Head (1/4-20 x 7/8")
18	800-0009	1	Screw, Cap - Hex Head (1/4-20 x 1-1/2")
19	800-0047	2	Screw, Cap - Hex Head (3/8-16 x 5/8")

- Parts included in Charging Alternator Stator



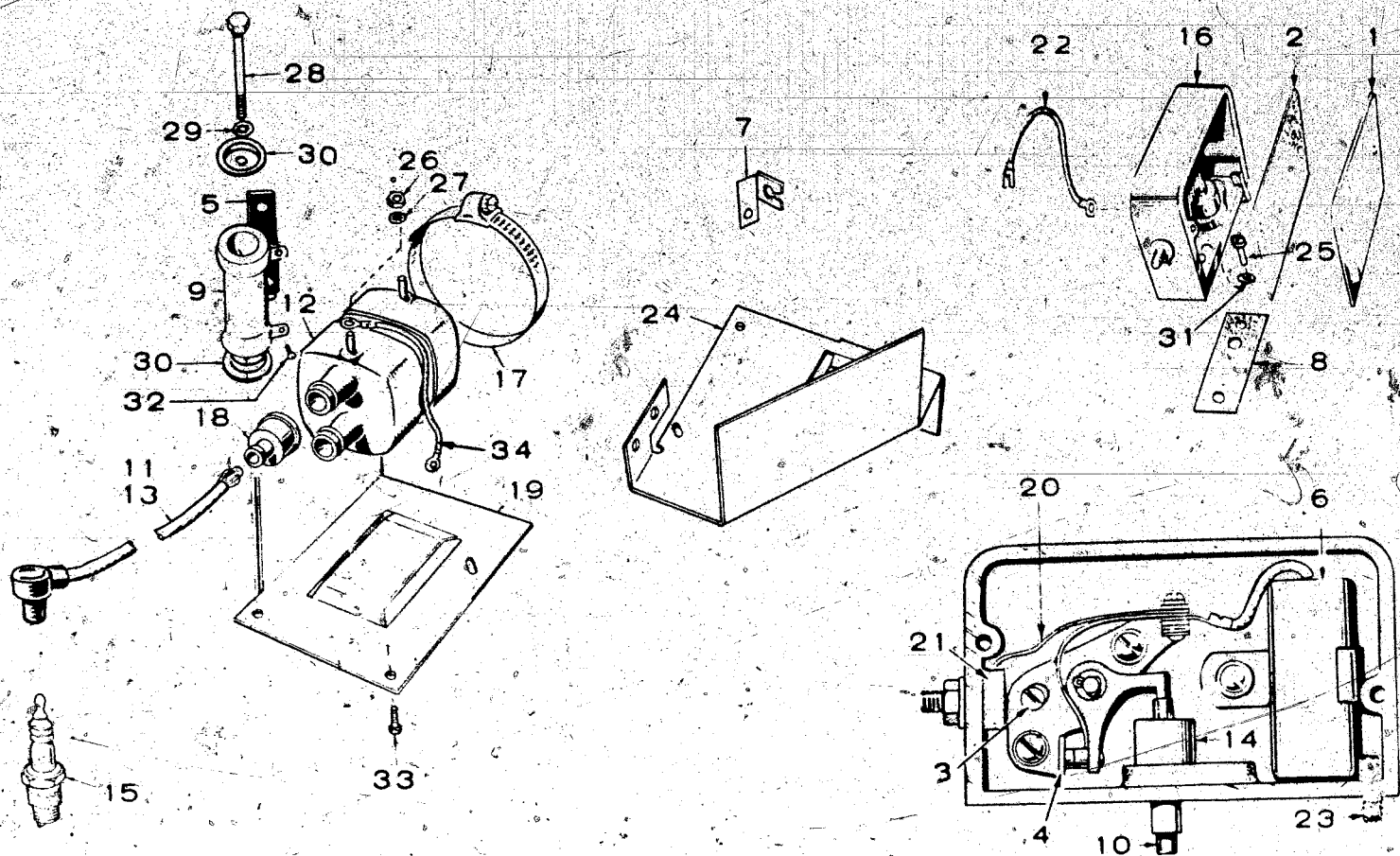
STARTER MOTOR



REF. NO.	PART NO.	QTY. USED	PART DESCRIPTION
1			Motor, Starting (For Components See Separate Group)
	191-0511	1	Key 1
	191-0790	1	Key 3,4,5
	191-0734	1	Key 2
	191-1052	1	Key 6,7,8
2	191-0736		Flange, Motor - Starter (Key 3-5)
2A	191-1104	1	Flange, Motor - Starter (Key 6,7,8)
3	§	1	Bracket, Starter Motor Mounting - Key 2
4	800-0050	2	Screw, Cap - Hex Head, Starter Motor to Bracket (3/8-16 x 1" Lg)
5	102-0455	3	Screw, Cap - Hex Head Starter Bracket Mounting (3/8-16 x 1" Lg)
6	850-0050	5	Washer, Lock - Spring - Starter Motor Mounting (3/8")
7	191-1103	2	Spacer, Starter Mounting
8	191-1108	1	Seal, Air

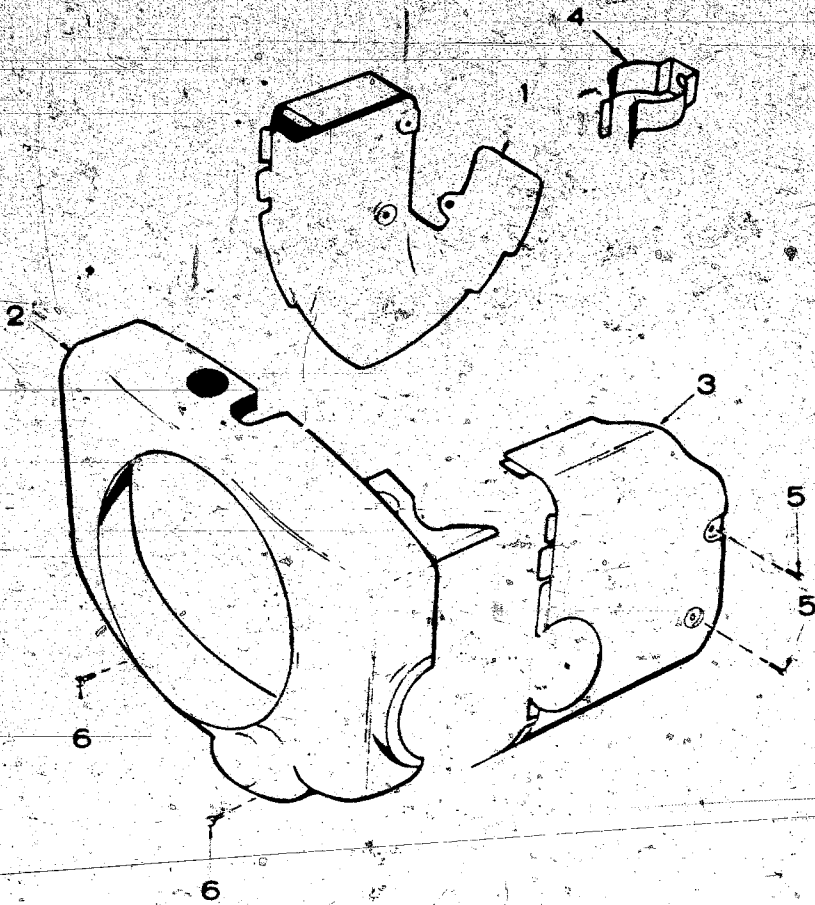
§ - Refer to factor giving complete Model, Spec. and Serial Number.

IGNITION



REF. NO.	PART NO.	QTY. USED	PART DESCRIPTION	REF. NO.	PART NO.	QTY. USED	PART DESCRIPTION
1	160-0930	1	Cover, Breaker Box	17	503-0514	1	Clamp, Coil
2	160-0150	1	Gasket, Breaker Box Cover	18	160-0558	2	Nipple, Rubber, Coil
3	160-0075	1	Cam, Point Gap Adjusting	19	166-0376	1	Bracket, Coil Mounting - Key 1,2,3
4	160-0002	1	Point Set, breaker	20	160-0428	1	Strap, Point Set to Terminal Block
5	304-0610	1	Support, Resistor Terminal	21	160-0349	1	Block and Terminal Assembly
6	312-0069	1	Condenser, Breaker Points	22	334-0028	1	Lead (4 ft. piece of wire)
7	167-0188	1	Clip, Spark Plug Cables	23	160-0261	1	Wick, Breaker Box Oil Drain
8	160-0043	1	Gasket, Breaker Box Mounting	24	166-0562	1	Bracket, Coil Mounting - Key 4,5,6,7,8
9	304-0060	1	Resistor, Ignition	25	802-0034	2	Screw, Cap - Socket Head
10	160-0262	1	Plunger Assembly (Includes Plunger and Guide)	26	870-0053	2	Nut, Coil Terminal (10-32)
11	CABLE, SPARK PLUG - RIGHT			27	854-0010	2	Washer, Coil Terminal (#10)
	167-1594	1	8-1/2" - Key 1,2,3,4,5,6	28	813-0112	1	Screw, Resistor Mounting (10-32 x 2-1/2")
	167-1596	1	7-1/4" - Key 7,8	29	850-0030	1	Washer, Lock - Resistor Mounting (#10)
12	166-0346	1	Coil, Ignition	30	304-0014	2	Washer, Centering - Resistor Mounting
13	CABLE, SPARK PLUG - LEFT			31	850-0040	2	Washer, Lock - Spring (1/4")
	167-1594	1	Key 1,2,3	32	815-0201	2	Screw, Machine - Round Head with ET (#8-32 x 3/8")
	167-1593	1	17-1/2" - Key 4,5,6	33	821-0004	2	Screw, Cap - HWH (#10-32 x 5/16")
	167-1595	1	17" - Key 7,8	34	336-0332	1	Lead, Coil
14	160-0263	1	Diaphragm, Breaker Box				
15	PLUG, SPARK						
	167-0241	2	Key 1,2,3,4,5,6				
	167-0237	2	Key 7,8				
16	160-0257	1	Box, Breaker (Includes Points, Condenser, Cover and Gasket)				

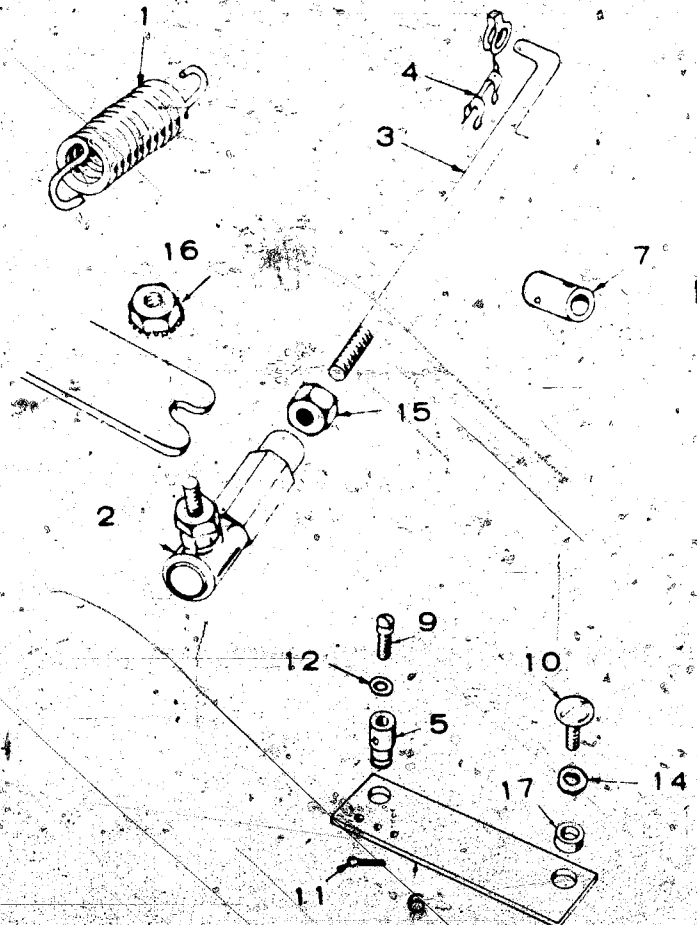
BLOWER HOUSING GROUP



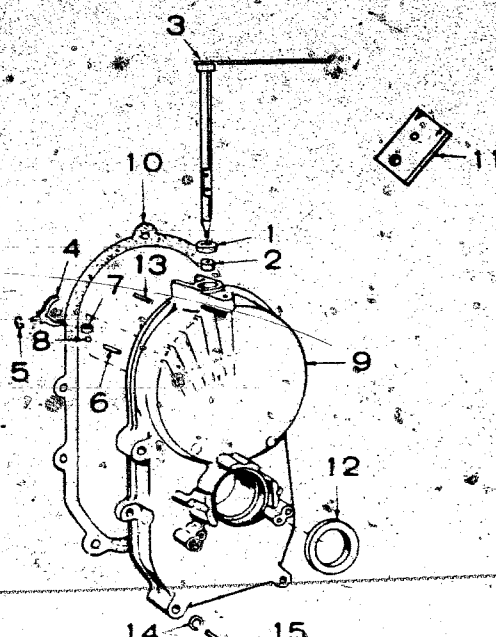
REF. NO.	PART NO.	QTY. USED	PART DESCRIPTION
1	134-0589	1	Housing, Cylinder Air - Left
2	HOUSING, BLOWER		
	134-2025	1	Key 1,2,3
	134-2199	1	Key 4,5
	134-2951	1	Key 6,7,8
3	HOUSING, CYLINDER AIR - RIGHT		
	134-2032	1	Key 1
	134-2094	1	Key 2,3,4,5
	134-2954	1	Key 6,7,8
4	321-0169	1	Clip, Cylinder Air Housing
5	815-0261	5	Screw, Tapping - HWH (1/4-20 x 1/2")
6	821-0010	2	Screw, Cap - HWH (1/4-20 x 1/2")

GOVERNOR GROUP

REF. NO.	PART NO.	QTY. USED	PART DESCRIPTION
1	SPRING, GOVERNOR		
	150-0698	1	Key 1,2,3
	150-1264	1	Key 4,5,6,7,8
2	150-0639	1	Joint, Ball
3	150-0629	1	Link, Throttle
4	518-0006	1	Clip, Link End
5	152-0155	1	Swivel, Throttle Cable Connector - Key 4,5,6,7,8
6	150-1310	1	Bracket, Throttle Control - Key 4,5,6,7,8
7	145-0412	1	Connector, Throttle Bracket - Key 4,5,6,7,8
9	815-0104	1	Screw Machine - Fillister Head Throttle Control Swivel - Key 4,5,6,7,8 (#8-32 x 5/16" lg)
10	815-0241	1	Screw, Machine - Truss Head Throttle Control Bracket Key 4,5,6,7,8 (1/4-20 x 1/2" lg)
11	516-0059	1	Key, Cotter - Throttle Control - Key 4,5,6,7,8
12	526-0006	1	Washer, Flat - Throttle Control (15/64" ID x 1/2" OD x 3/64" Thk)
13	862-0001	1	Nut, Hex - Throttle Control (1/4-20)
14	850-0040	1	Washer, Lock - Spring Throttle Control (1/4)
15	870-0053	1	Nut, Hex - Governor Control (10-32)
16	870-0131	1	Nut, Keps - Governor Control (Includes Washer #10-32)
17	150-1269	1	Spacer, Throttle Control



GEAR COVER GROUP



REF. NO.	PART NO.	QTY. USED	PART DESCRIPTION
1	509-0008	1	*Seal, Oil - Governor Shaft
2	510-0013	1	*Bearing - Governor Shaft - Upper
3	150-0377	1	*Shaft and Arm Assembly, Governor
4	150-0620	1	*Yoke, Governor Shaft
5	518-0129	1	*Ring, Yoke Retainer
6	516-0130	1	*Pin - Governor - Cup Stop
7	510-0008	1	*Bearing, Governor Shaft - Lower
8	510-0014	1	*Ball, Bearing - Governor Shaft
9	103-0332	1	Cover Assembly - Gear (Includes parts marked *)
10	103-0011	1	Gasket, Gear Cover
11	BRACKET, GOVERNOR LINKAGE		
	150-0635	1	Key 1, 2, 3
	150-1297	1	Key 4, 5, 6, 7, 8
12	509-0040	1	*Seal, Gear Cover
13	516-0011	2	Pin, Gear Cover (5/16 x 1-1/8")
14	850-0045	5	Washer, Lock - Spring Gearcover Mounting (5/16")
15	SCREW, CAP - HEX HEAD - GEARCOVER MOUNTING		
	800-0032	4	5/16-18 x 1-3/4" lg)
	800-0034	1	5/16-18 x 2-1/4" lg)

- Parts included in Gear Cover Assembly.

SERVICE KITS AND MISCELLANEOUS

NOTE: For other kits, refer to the group for the part in question.

REF. NO.	PART NO.	QTY. USED	PART DESCRIPTION
	168-0109	1	Gasket Kit, Complete Engine
	160-0836	1	Ignition Tune-Up Kit
	168-0095	1	Carbon Removal Gasket Kit
	522-0259	1	Kit, Overhaul