

Nieman POWER ROOF REMOVER...

- A labor-saver – reduces costs over hand labor 50% or more.

- Works fast – you schedule more jobs for greater profit.

- Mounts on self-propelled tractor. Operator just guides unit.

- Works on roofs over a wide temperature range.

- Hydraulically driven blades cut thru all materials without stalling.

PATENT
3 779 605

does
the work
of 6-8 men

812 DISTRIBUTOR
758 NO HELP
4791 Original Attachments Still Available

New Replacement Attachments Now Available...

Advantages of New Replacement Tooth Blade Assemble:

- **Cost Efficient** – need only to purchase replacement part unlike original assembly needed replacement.

- Tooth Blade are now interchangeable

- **BONUS PART** - New cutting attachment eliminates needed for additional cutting equipment



Cutting Attachment

Power Roof Remover is equipped with two cutting tools to remove roofing down to insulation or to decking, even if insulation is solid mopped. The wide cutting blade is used mostly when removing fiberglass insulation and when removing roofing down to the insulation. The tough duty toothed blade is used on most roof removing jobs.

Nieman



AMERICAN ASSOC. 1800 241-2570

ATLANTA GA

TRUBLE SHOULDER
DOUG

A REAL COST AND LABOR-SAVER

The *NEW* Nieman *POWER ROOF REMOVER* removes from 10-30 squares an hour. Does the hard, tough work that wears out your crew. Does it in minutes instead of hours.

RUGGED AND LONG-LASTING

One *POWER ROOF REMOVER* has been in use over 20 years removing all types of built-up roofs and insulation from all types of decks with no mechanical breakdown. Wide blade is formed from high carbon, abrasion-resistant steel. Toothed blade, equally abrasion-resistant, is machined from special alloy, heat-treated steel. Very little wear is apparent in all the years of operation.

POWER AND MOBILITY

The reciprocating action of the *POWER ROOF REMOVER* is designed to be used on an 8 - 12 hp tractor unit with a PTO. Tractor should have 2 forward speeds plus reverse and provide 2 speeds for the power cutting action. Speed should be adjustable from 0-4 mph. Total weight of *POWER ROOF REMOVER* (without tractor) is 250 lbs.

SPECIFICATIONS

Width24"
Length.....54"
Height34"
Weight250 lbs.



Nieman EQUIPMENT COMPANY, INC.

P.O. Box 64, New Prague, MN 56071
Phone/Fax: (612) 758-4791

It takes approximately 15 minutes to attach the Nieman POWER ROOF REMOVER to your tractor. For easier attachment, place a 2 x 4 approximately 2 feet long under the frame of the POWER ROOF REMOVER in front of the tractor wheels at about point "X". The POWER ROOF REMOVER is shipped with the bolts at #65 in position to install the POWER ROOF REMOVER on the Gravelly 5200 series tractor. Loosen these bolts at #65 on each side of the frame. Standing behind the tractor in the operator's position, the 1/2" x 1-3/4" bolt goes on the right side of part #26 and the 1/2" x 1-1/2" bolt goes on the left side. Make sure the lock washers we provide are used on both of these bolts. Tighten all bolts using a torque wrench @ 100# - a crescent wrench will not tighten them enough. If these bolts are not kept tight at all times this could cause the gear housing to crack. If you are attaching the POWER ROOF REMOVER to a Gravelly PRO series tractor, the bolts at #65 will have to be moved approximately 1" back using the pre-drilled hole. Use 4 - 1/2" x 1-1/2" bolts at part #26 and be sure to tighten. Part "D" which strengthens the tractor handle must also be installed on your tractor. Be sure to check the set screws in parts #77, #80, #81 and #84 before using the POWER ROOF REMOVER and recheck and retighten them at least once per week. Check the gear box for oil at least monthly.

TIGHTEN ALL NUTS each day.

MAKE SURE THE TRACTOR IS NOT RUNNING WHEN PERFORMING ANY MAINTENANCE OR WHEN MAKING ANY ADJUSTMENTS TO EITHER THE TRACTOR OR THE POWER ROOF REMOVER.

DO NOT RUN POWER DRIVE IN HIGH SPEED.

Use low speed, which will do the same job and is easier on the machine.

To hoist the Nieman POWER ROOF REMOVER onto the roof using a power hoist, attach the hoist cable around the unit at points "A" and "B" and hook. Be especially careful when hoisting the POWER ROOF REMOVER onto the roof or lowering it from the roof. Dropping it could also cause the gear housing to crack.

The manufacturer has had over 15 years experience with the Nieman POWER ROOF REMOVER using the toothed blade which will remove insulation solid mopped to a concrete deck. Use of the wide blade is recommended only when removing fiberglass insulation from the deck or when removing roofing down to the insulation. The toothed blade can easily be removed for sharpening by taking out only one bolt, but the manufacturer has sharpened his only three times in the past five years. One man using the Nieman POWER ROOF REMOVER with the toothed blade should be able to keep 8 to 10 men busy carrying debris from the roof.

Nieman



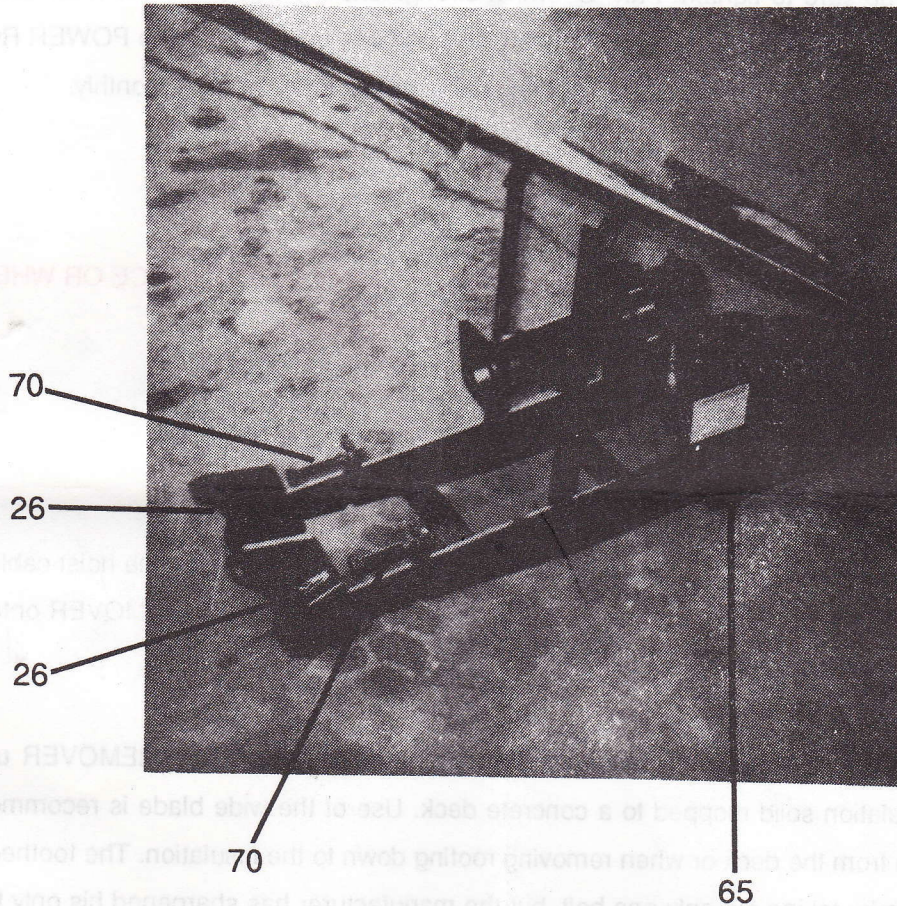
EQUIPMENT CO., INC.

P.O. Box 64, New Prague, MN 56071

Telephone: (612) 758-4791

New Adjuster Bolts

After the NIEMAN POWER ROOF REMOVER is installed on your tractor, tighten the bolts at #65. Then adjust the bolt on the frame at #70 until it is tight against the quik-tach (part #26) and lock the nut. This should help to keep the gear housing from breaking.



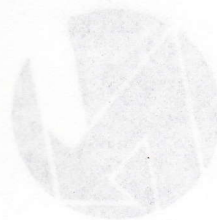
Nieman



EQUIPMENT CO., INC.

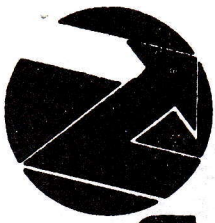
P.O. Box 64, New Prague, MN 56071

Telephone: (612) 758-4791



Nieman
EQUIPMENT CO., INC.

P.O. Box 64, New Prague, MN 56071
Telephone: (612) 758-4791



Nieman

EQUIPMENT CO., INC.

P.O. Box 64, New Prague, MN 56071

Telephone: (612) 758-4791

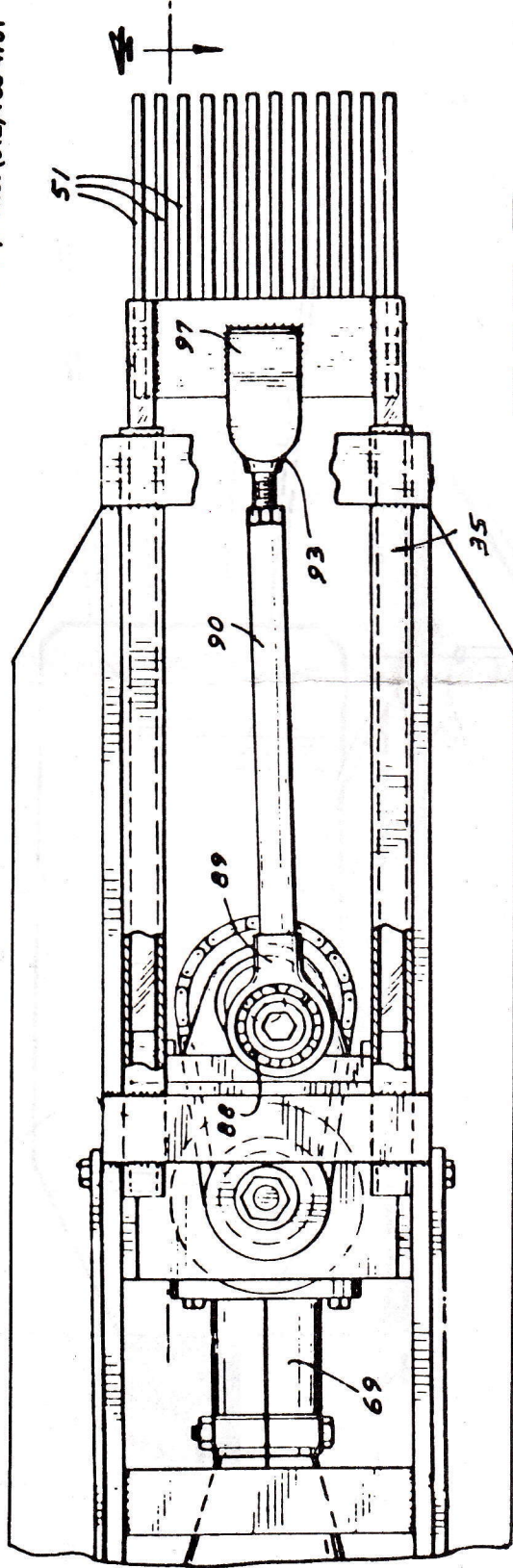


FIG. 3

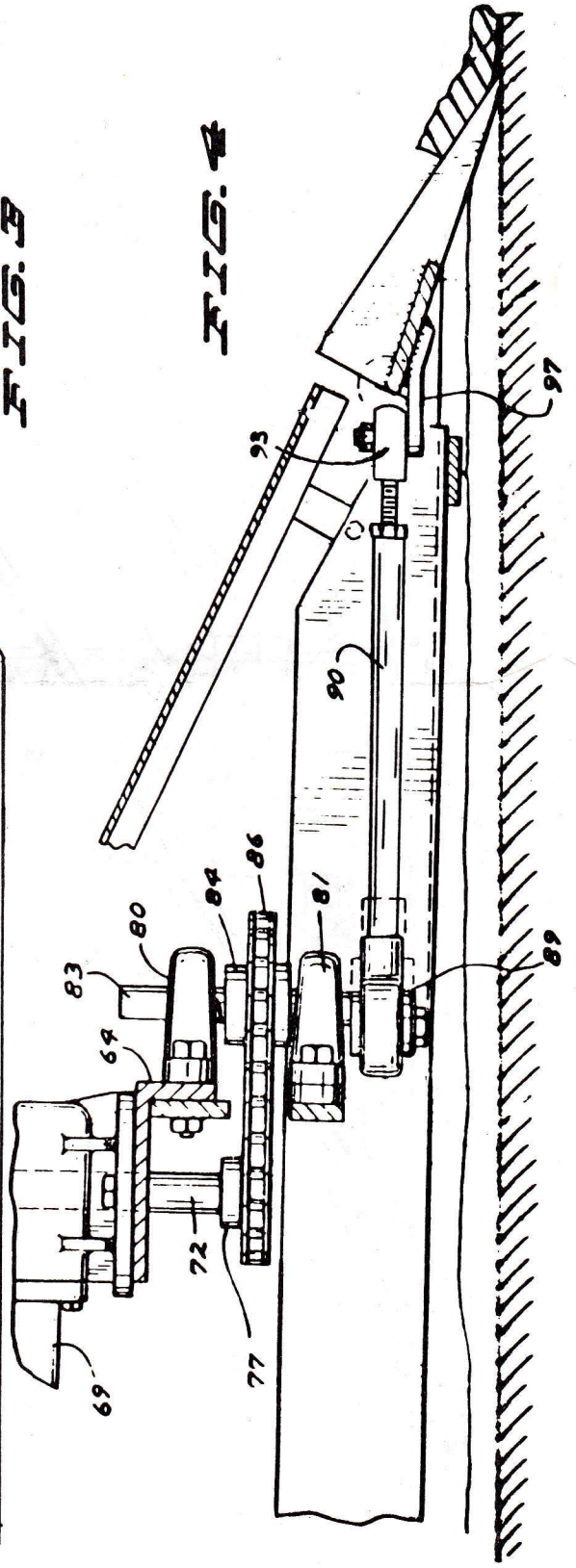


FIG. 4

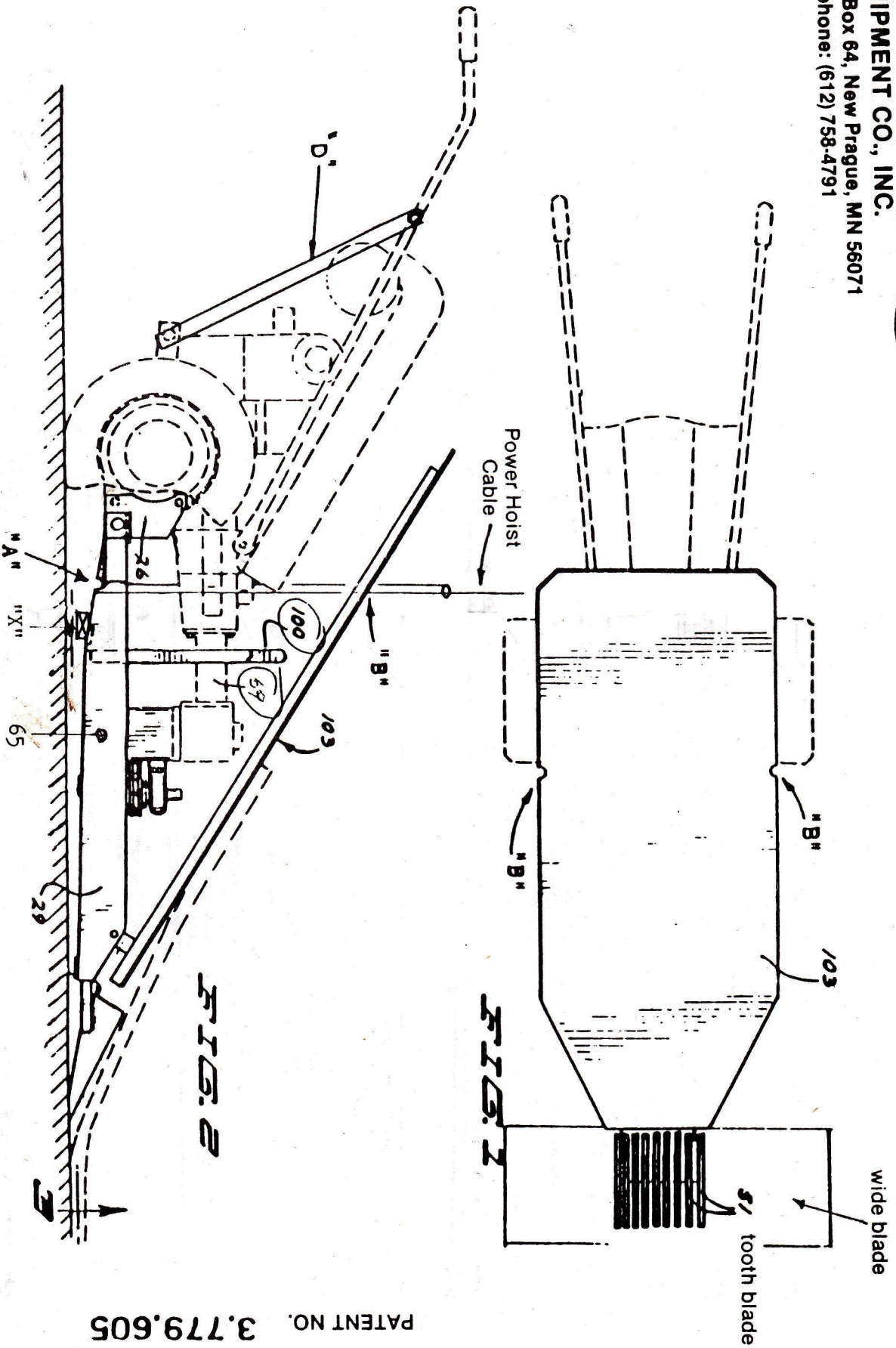


Niemann

EQUIPMENT CO., INC.

P.O. Box 64, New Prague, MN 56071

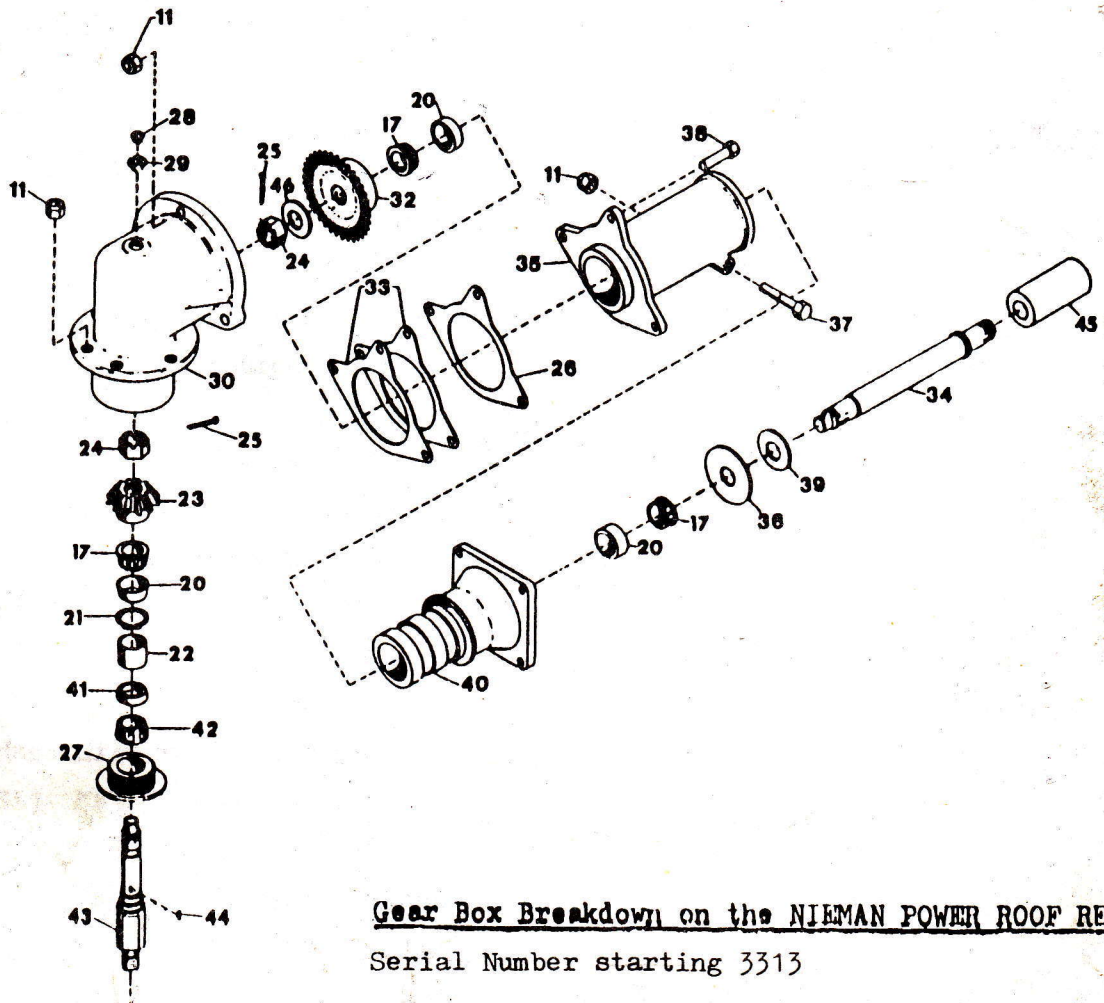
Telephone: (612) 758-4791



PATENT NO. 3,779,605

NIEMAN POWER ROOF REMOVER PARTS BREAKDOWN

<u>PART NUMBER</u>	<u>DESCRIPTION</u>
26	Kwik-tach set (left & right w/bolts & pins)
29	Main frame
35	Square tubing
51	Tooth Blade assembly
64	Gear box holder
69	Gear Housing
72	Shaft with key
77	Sprocket - 1" (7/8" prior to 1979)
80/81	Pillow block bearing
83	Crankshaft
84	Sprocket - 1 1/4"
86	Chain with links
88/89	Bearing and holder with bushing & bolt
90	Connecting rod - 9 1/4" (12 1/4" prior to 1979)
93	Bearing with nut
97	Adapter plate
100	Brace support for shield
103	Shield
"D"	Handle braces w/clips and bolts
	Wide Blade
	Quick Hitch Kit



Gear Box Breakdown on the NIEMAN POWER ROOF REMOVER

Serial Number starting 3313

<u>ITEM NO.</u>	<u>PART NO.</u>	<u>DESCRIPTION</u>
11	435507	Lock Nut 1/2-13
17	9246	Roller Bearing Cone
20	9245	Roller Bearing Cup
21	22525	Retaining ring 2.000bore
22	22521	Spacer 1.75x1.936x1.967
23	22519	Bevel Pinion
24	125267	Slotted nut, 5/8-18 Hex
25	119120	Cotter pin .094x1.25
26	23081	.020 shim
27	22522	Seal
28	271434	Lube fitting 1/8
29	144044	1/2 pipe reducing bushing
30	22513	Gear housing
32	22518	Bevel gear
33	23082	.005 shim
34	35036	Drive shaft
35	22514	Swivel Casting
36	35034	Grosser washer
37	180191	Hex bolt 1/2-13x3.25
38	180179	Hex bolt 1/2-13x1.75
39	19340	Thrust race
40	22515	Shaft housing
41	22524	Bearing cup
42	22523	Bearing cone
43 (#72)	22520	Rotor shaft
44	271089	Woodruff key .125x.375 Hard
45	35035	Coupling
46	33845	Flat washer .687x1.312x122