



GRAVELY

Model "L" Tractor

PARTS AND PRICE LIST

Effective Sept. 1, 1953

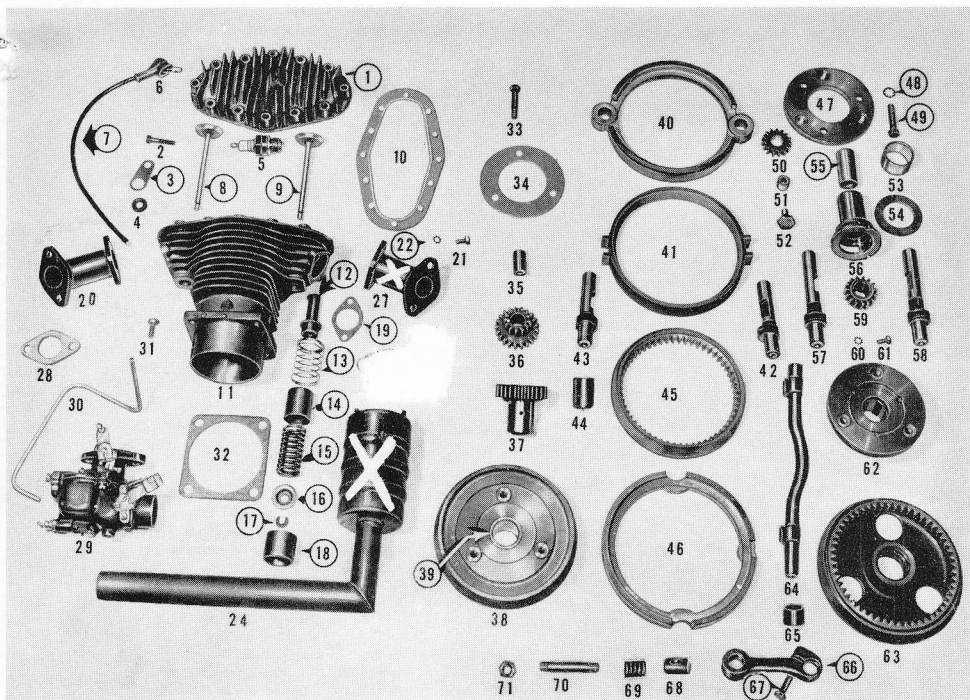


PLATE A

Motor and Pin Plate Assembly

Photo No.	Part No.	Description	Price	Photo No.	Part No.	Description	Price
	5734	Cylinder Head	5.25	11	5733	Cylinder	21.38
2	154-S	Cylinder Head Bolt	.05	12	5737	Valve Guide	.89
3	L 826	Cable Bracket	.13	13	L 318	Sleeve Spring	.16
4	L 827	Rubber Grommet	.05	14	L 315	Upper Spring Sleeve	.35
5	1709	Spark Plug	.76	15	L 312	Valve Spring	.22
6	1726	Spark Plug Nipple	.25	16	5741	Valve Spring Cap	.13
7	1731	Magneto Cable, Complete	.38	17	5742	Valve Spring Cap Key	.07
8	L 311-N	Valve, Intake	.85	18	L 316	Lower Spring Sleeve	.35
9	L 311-X	Valve, Exhaust	.98	19	L 407-B	Manifold Gasket	.05
10	5735	Cylinder Head Gasket	.61	20	L 301-A	Manifold, Intake	1.51

Photo No.	Part No.	Description	Price
21	164-S	Manifold Bolt	.02
22	303-W	Manifold Bolt Lock Washer	.01
24	L 816	Muffler (Obsolete muffler shown new style furnished.)	2.30
27	L 301 D	Manifold, Exhaust (Obsolete manifold shown. New style furnished.)	1.51
28	L 301-B	Zenith Carburetor Gasket	.05
29	L 806-Z	Carburetor-Zenith	14.13
30	L 706	Gas Tube (Carburetor)	.20
31	126-S	Carburetor Bolt	.05
32	L 317	Cylinder Bottom Gasket	.08
33	L 516-L	Spacer Bolt, Left Hand	.17
NS	305-WL	Spacer Lock Washer, Left Hand	.02
34	L 515	Pin Spacer	.38
35	L 514	Orbit Gear Pin	.22
36	L 513	Orbit Gear	2.10
37	L 511	Sun Gear	3.90
38	L 506	Rear Pin Plate	4.17
39	L 535	Rear Pin Plate Bushing	.51
40	L 502	Rear Spacer	4.90
41	L 503	Clutch Cup	4.20
42	L 711-R	Clutch Slide Rod, Short	1.67
43	L 711-L	Clutch Slide Rod, Short	1.67
44	L 714	Slide Rod Bushing	.45
45	L 501	Internal Gear	3.57
46	L 508	Gear Cup	3.75
47	L 539	Front Pin Spacer	2.76
48	305-W	Spacer Lock Washer	.01
49	L 516-R	Spacer Bolt, Right Hand	.17
50	L 540	Reverse Idler	1.35
51	L 541	Reverse Idler Bushing	.14
52	L 542	Reverse Idler Bolt	.13
53	L 532	Quill Bearing	.45
54	L 520	Front Thrust Plate	.80
55	L 546	Pinion Shaft Bearing	.40
56	L 536	Pin Plate Quill	3.90
57	L 710-L	Clutch Slide Rod, Long	1.78
58	L 710-R	Clutch Slide Rod, Long	1.78
59	L 510	Sun Pinion	1.20
60	303-W	Quill Securing Bolt Washer	.01
61	191-S	Quill Securing Bolt	.03
62	L 505	Front Pin Plate	3.36
63	L 537&8	Reverse Cone Assembly	8.02
64	L 712	Clutch Actuating Shaft	2.61
65	L 713	Actuating Shaft Bushing	.22
66	L 715	Actuating Shaft Lever	1.17
67	154-S	Actuating Lever Clamp Bolt	.05
68	L 723	Clutch Rod Pivot	.35
69	L 729	Clutch Spring	.13
70	L 730	Spring Sleeve	.28
71	210-N	Clutch Spring Sleeve Nut	.04
NS	L 534	Sun Gear Bushing	.33

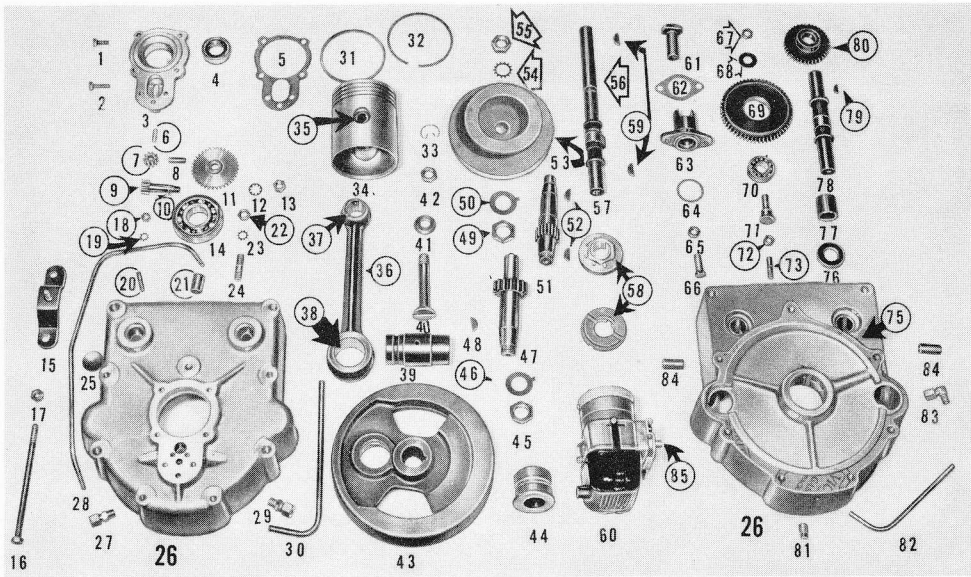


PLATE B

Crankcase Assembly

Photo No.	Part No.	Description	Price
1	164-S	Bearing Cap Bolt Short	.02
2	177-S	Bearing Cap Bolt Long	.03
3	L 103	Bearing And Pump Cap	3.16
4	L 126-A	Bearing Cap Double Seal	1.05
5	L 125	Bearing Cap Gasket	.04
6	L 124	Bearing Cap Dowel	.05
7	L 422	Oil Pump Idle Gear	.89
8	L 423	Idle Gear Stud	.12
9	L 421	Oil Pump Master Gear	2.23
10	507-K	Oil Pump Master Gear Key	.02
11	L 419-A	Oil Pump Drive Gear	1.39
12	305-W	Oil Pump Master Gear Lk. Wshr.	.01
13	215-N	Oil Pump Master Gear Nut	.02
14	L 115	Timing Pinion Bearing	3.55
15	L 224	Fan Housing Bracket	.58
16	L 116	Crank Case Bolt,	.16
17	205-N	Fan Housing Bolt Nut	.03
18	202-N	Plunger Guide Stud Nut	.02
19	303-W	Plunger Guide Lock Washer	.01
20	L 405	Plunger Guide Stud	.12
21	L 420-B	Oil Pump Bearing Bushing	.32

Photo No.	Part No.	Description	Price
22	206-N	Cylinder Stud Bolt Nut	.03
23	305-W	Cylinder Stud Bolt Lock Washer	.01
24	L 303	Cylinder Stud Bolt	.12
25	L 411	Expansion Plug	.09
26	L 101-2	Crank Case	27.56
27	L 707	Pump Discharge Connection	.17
28	L 813-B	Pump Discharge Line	.20
29	L 814-A	Pump Supply Connection	.20
30	L 813-A	Pump Supply Line	.20
31	LH 546	Oil Rings (Repairs) (o. s.)	.37
32	LH 547	Oil Rings (Std.)	.37
33	LH 545	Compression Ring (Repairs)(o. s.)	.37
34	LH 543	Compression Ring (Std.)	.37
35	LH 545	Piston Pin Lock	.01
36	LH 543	Piston Std. With Pin	5.69
37	LH 543	Piston .005 With Pin	5.69
38	LH 543	Piston .010 With Pin	5.69
39	LH 543	Piston .015 With Pin	5.69
40	LH 543	Piston .020 With Pin	5.69
41	LH 543	Piston .025 With Pin	5.69
42	LH 543	Piston .030 With Pin	5.69

Photo No.	Part No.	Description	Price
NS	802-A	Piston, Semi-finish, with pin	5.69
35	LH 544	Drive Pinion Shaft Set Screw	.12
36	L 306	Piston Pin	1.05
37	L 306-A	Connecting Rod Bushing Small	.4
38	L 306-B	Connecting Rod Bushing Large	.8
39	L 105	Crank Pin	2.55
40	L 106	Spreader Bolt	.40
41	L 107	Spreader Bolt Washer	.36
42	210-N	Spreader Bolt Nut	.04
43	L 104	Fly Wheel	4.90
44	L 114	Drive Pinion Bearing	1.90
45	L 112	Fly Wheel Nut	.13
46	L 113	Fly Wheel Nut Lock	.05
47	L 109	Drive Pinion Shaft	4.90
48	504-K	Drive Pinion Shaft Key	.02
49	L 112	Fly Wheel Nut	.13
50	L 113	Fly Wheel Nut Lock	.05
51	L 110	Timing Pinion Shaft	4.90
52	504-K	Fly Wheel Key	.02
53	5745	Fan Drive Pulley	4.75
54	309-W	Fan Drive Pulley Nut Lock	.02
55	218-N	Fan Drive Pulley Nut	.09
56	L 810	Magneto Shaft Extension	.62
57	L 402	Exhaust Cam Shaft	2.75
58	L 809	Magneto Coupling Complete	2.10
	L 809-F	Magneto Fiber Coupling	1.10
59	503-K	Magneto Shaft Extension Key (Also Exhaust Cam Shaft Key)	.02
60	L 808	Magneto	32.36
61	L 404	Valve Plunger	1.10
62	L 407-A	Valve Plunger Gasket	.05
63	L 403	Valve Plunger Guide	1.58
64	L 319	Steeve Gasket	.03
65	L 409	Tappett Lock Nut	.09
66	L 408	Tappett Screws	.13
67	220-N	Bearing Stud Nut	.02
68	403-W	Bearing Stud Nut Washer	.01
NS	803-A	Inner Crank Case Set Screw	.12
69	L 415	Idler Gear	2.51
70	L 416	Idler Gear Bearing	1.71
71	L 417	Bearing Stud	.33
72	215-N	Crank Case Stud Nut	.02
73	L 118	Crank Case Stud Bolt	.12
74	L 210	Chassis Rear Gasket	.09
75	L 412	Cam Shaft Oil Seal	.54
76	L 410-0	Cam Shaft Bearing Bushing	.28
77	L 410-I	Cam Shaft Bearing Bushing	.28
78	L 401	Intake Cam Shaft	2.75
79	503-K	Cam Shaft Gear Key	.07
80	L 413	Cam Shaft Gear	1.0
81	701-P	Crank Case Drain Plug	.06
82	L 813-C	Motor Supply Line	.20
83	L 814-H	90° Oil Line Elbow	.29
NS	L 814-E	Nipple	.12
84	L 120	Crank Case Dowell	.17
85	190-S	Magneto Bolt	.05
NS	5784	Drive Pulley Pin	.07

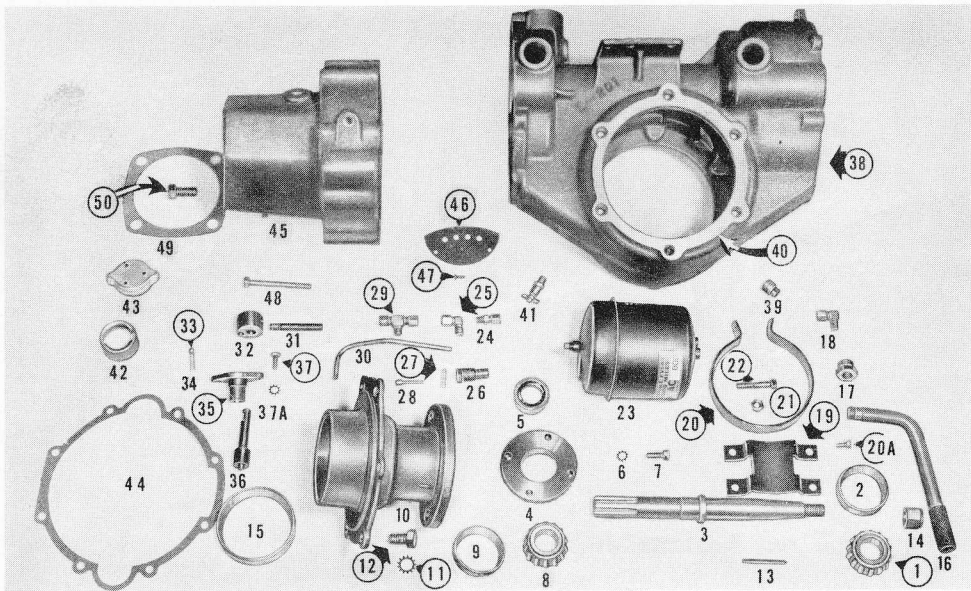


PLATE C

Chassis Assembly

Photo No.	Part No.	Description	Price
1&8	L 610-C	Axle Bearing (Cone)	2.25
2&9	L 610-R	Axle Bearing (Cup)	1.35
3	L 611	Axle	2.85
4	L 204-A	Bearing Cap	1.35
5	L 221-A	Bearing Cap Oil Seal, Double	1.05
6	304-W	Bearing Cap Lock Washer	.01
7	126-S	Bearing Cap Bolt	.05

Photo No.	Part No.	Description	Price
10	L 203-A	Axle Housing	7.25
11	308-W	Axle Housing Bolt Lock Washer	.01
12	122-S	Axle Housing Bolt	.09
13	L 615	Axle Key	.05
14	227-N	Axle Nut	.21
16	L 822	Oil Strainer Body	1.10
17	L 823	Oil Strainer Nut	.41

Photo No.	Part No.	Description	Price
18	L 814-F	Pump Supply Elbow	.28
19	L 828	Filter Bracket	.20
20	L 829	Oil Filter Mounting Band	.23
20-A	165-S	Filter Bracket Bolt	.02
21	201-N	Filter Band Nut	.02
22	149-S	Filter Band Bolt	.07
23	L 812	Oil Filter	2.75
24	L 707	Tube Connector	.17
25	L 814-D	Motor Supply Elbow	.20
26	L 815-A	Relief Valve Body	.61
27	L 815-D	Relief Valve Spring	.13
28	L 815-B	Relief Valve	.46
29	L 814-C	Discharge Line Tee	.35
30	L 813-C	Motor Supply Line	.20
31	L 732	Shipper Shaft Lever	.12
32	L 733	Locator Body	.80
33	1809	Locator Ball	.02
34	L 815-D	Locator Spring .025"	.13
35	L 734	Shipper Shaft Guide	1.00
36	L 545	Shipper Shaft	1.20
37	164-S	Shipper Shaft Guide Bolt	.02
37-A	303-W	Shipper Shaft Blt. Lk. Wshr.	.01
38	L 201	Chassis Casting	34.18
39	705-P	Chassis Drain Plug	.07
	L 219	(.005) Bearing Cap Shim (ea.)	.10
		(.020) Bearing Cap Shim (ea.)	.14
		(.005) Axle Housing Shim (ea.)	.20
		(.020) Axle Housing Shim (ea.)	.25
40	L 220	Oil Level Try Cock	.2
41	L 214	Chassis Oil Filter Neck	.17
42	L 211	Chassis Oil Filter Cap	.71
43	L 209	Chassis Front Gasket	.09
44	L 202	Advance Casting	14.40
45	L 202-A	Baffle Plate	.16
46	L 202-B	Baffle Plate Rivet	.01
47	L 207	Advance Casting Bolt	.14
48	5056	Attachment Gasket	.08
49	160-S	Attachment Bolt	.09

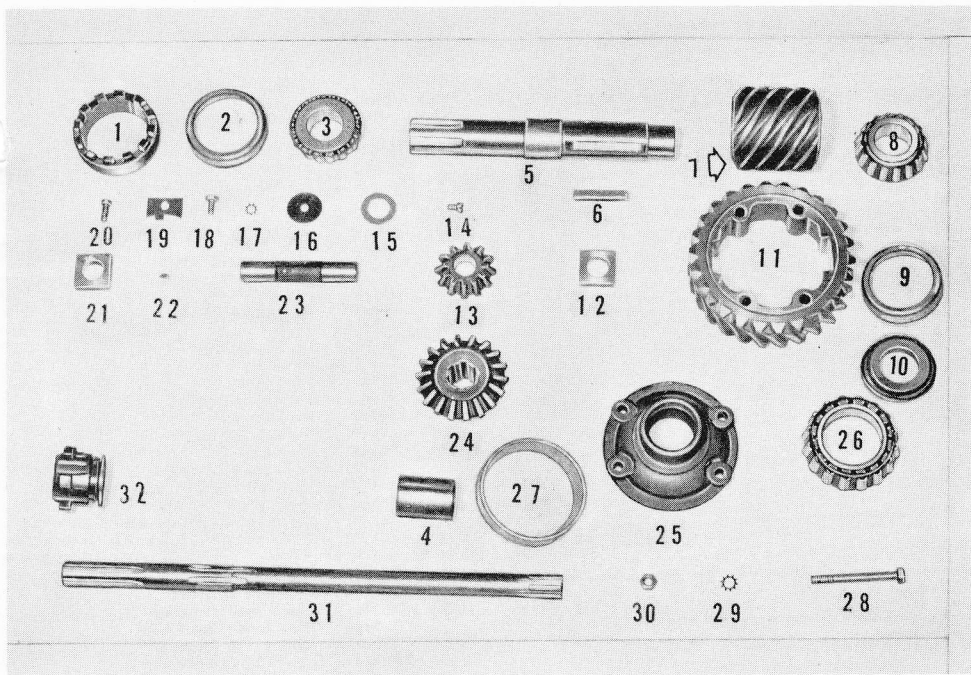


Photo No.	Part No.	Description	Price
1	L 507	Bearing Adjusting Nut	1.39
2, 9&	L 522	Worm Shaft Bearing Cup	1.75
3, 8	L 522	Worm Shaft Bearing Cone	2.75
4	L 547	Worm Shaft Spacer	.35
5	L 521	Worm Shaft	4.12
6	L 608	Worm Key	.05
7	L 601	Worm	8.25
10	L 519	Rear Thrust Plate	1.10
11	L 602	Worm Gear	17.25
12	L 607-K	Driving Block (With Keyway)	.45
13	L 603	Bevel Pinion	3.05
14	107-S	Lock Screw	.07
15	L 735	Clutch Act. Shaft Oil Seal	.03
16	L 736	Oil Seal Washer	.03
17	303-W	Actuating Shaft Lock Washer	.01
18	165-S	Actuating Shaft Securing Screw	.02
19	L 523	Adjusting Nut Lock	.05
20	107-S	Gear Cup Screw	.07
NS	303-W	Gear Cup Screw Lock Washer	.01
21	L 607	Driving Block	.40
22	501-K	Pinion Pin Key	.02
23	L 605	Pinion Pin	.89
24	L 604	Bevel Gear	5.16
25	L 205	Differential Housing	2.23
26	L 609-C	Differential Bearing Cone	3.75
27	L 609-R	Differential Bearing Cup	2.25
28	L 206	Differential Housing Bolt	.14
29	304-W	Differential Housing Blt. Lk. Wshr.	.01
30	204-N	Differential Housing Nut	.02
31	L 543	Pinion Shaft	4.50
32	L 544	Clutch Dog	2.45

PLATE D

Internal Chassis and Worm Assembly

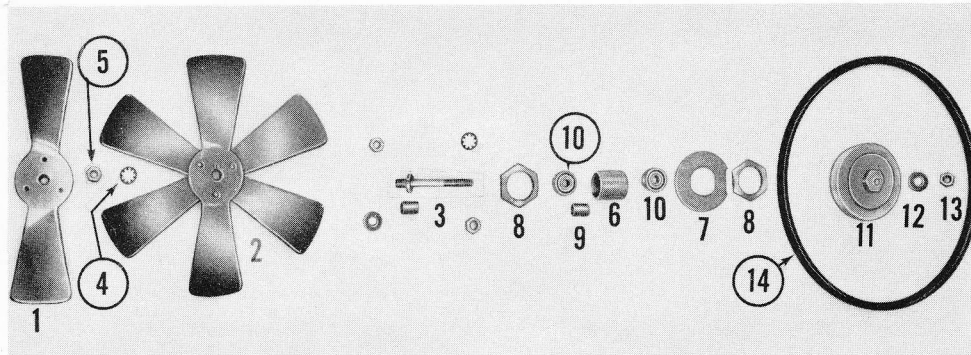


Photo No.	Part No.	Description	Price
1	L 805	Fan Blade	.30
2	L 805-AY	Fan Blade Assembly Comp.	1.15
NS	5138	Fan Blade Rivet	.01
3	5137	Fan Shaft	.51
4	305-W	Fan Nut Lock Washer	.01
5	206-N	Fan Securing Nut	.03
6	5133	Fan Bearing Race Retainer	1.21
7	L 830	Fan Retainer Adjusting Washer	.20
8	5134	Fan Bearing Lock Nut	.29
9	5165	Fan Bearing Spacer	.07
10	5139	Fan Ball Bearing	1.90
11	L 802	Fan Pulley	.80
12	401-W	Fan Pulley Jam Nut Washer	.01
13	204-N	Fan Pulley Jam Nut	.02
14	5163	Fan Belt	1.07

PLATE E

Fan Assembly

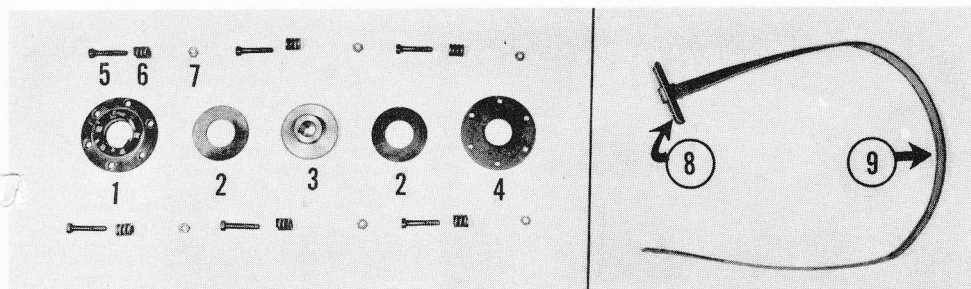


Photo No.	Part No.	Description	Price
1	SC 30	Dog Plate	5.06
2	SC 34	Friction Washer	.24
3	SC 33	Drive Plate Keyway	1.33
NS	SC 33-S	Drive Plate, Spline, Rotary Mower & Power Brush	1.33
4	SC 32	Back Plate	.70
5	SC 37	Spring Bolt	.14
6	SC 35	Spring	.14
7	215-N	Spring Bolt Nut	.02
NS	232-N	Spring Bolt Lock Nut Sickle Mower only	.12
8	2802	Starting Strap Handle	.15
9	2801-L	Leather Strap	.95
	2801-LAY	Starting Strap Complete	1.08

PLATE F

Slip Clutch and Starting Strap

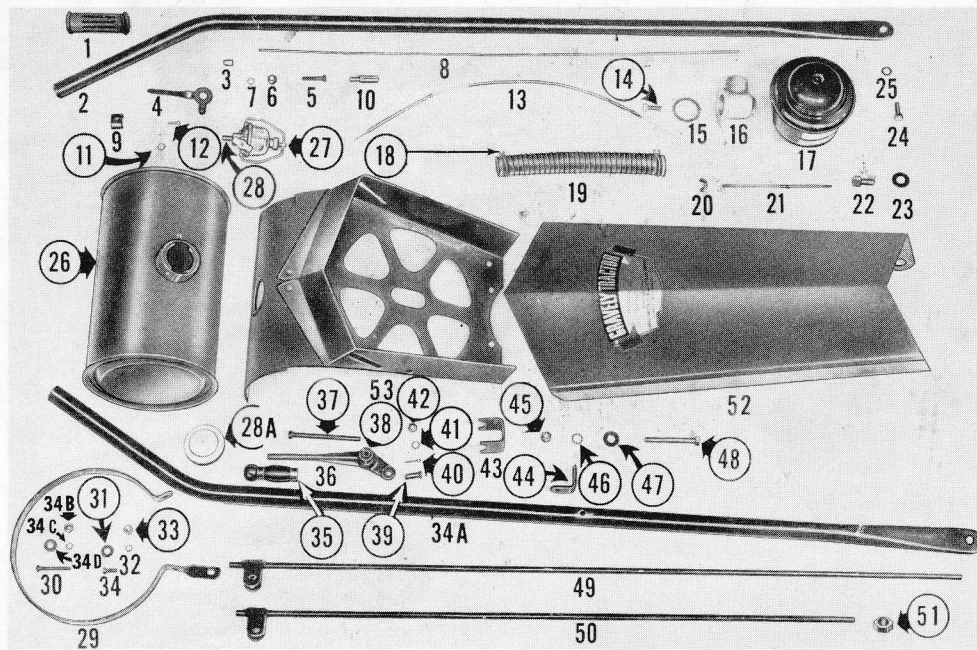


PLATE G

Photo No.	Part No.	Description	Price	Photo No.	Part No.	Description	Price
1	L 725	Driving Handle Grip	.42	9	L 739	Throttle Guide Clamp Washer	.09
2	L 724-L	Driving Handle, Left	2.90	10	L 738	Throttle Wire Guide	.02
3	L 741	Throttle Lever Hub	.07	11	Not Used		
4	L 740	Throttle Lever	.22	12	102-S	Guide Clamp Securing Screw	.02
5	154-S	Throttle Lever Pivot Bolt	.05	13	L 729-A	Choke Wire	.13
6	214-N	Pivot Bolt Nut	.02		L 729-B	Choke Wire Guide	.15
7	401-W	Pivot Bolt Washer	.01	14	101-S	Air Filter Bracket Lock Screw	.02
8	L 737	Throttle Wire	.09	15	L 834	Gasket	.10

External Parts

Photo No.	Part No.	Description	Price
16	L 833	Air Filter Bracket	
17	L 832	Oil Bath Air Cleaner	4.80
18	L 836	Air Filter Hose Clamp	.10
19	L 835	Air Filter Hose	1.40
20	L 819-F	Wing Nut	.08
21	L 819-E	Air Filter Bolt	.12
22	L 819-D	Air Filter Bracket Bolt	.10
23	L 821	Hood Spacer	.05
24	111-S	Driving Handle Securing Bolt	.06
25	305-W	Driving Handle Sec. Blt. Lk. Wshr.	.01
26	L 701	Tank	5.80
27	L 705	Gas Strainer Complete	1.59
28	L 814-E	Gas Filter Nipple	.12
28-A	2505	Tank Cap	.40
29	5164	Tank Band	.45
30	149-S	Tank Band Bolt Long	.07
31	401-W	Tank Band Bolt Washer	.01
32	303-W	Tank Band Bolt Lock Washer	.01
33	240-N	Tank Band Bolt Nut	.07
34	164-S	Tank Band to Fan Hsg. Bolt	.02
34-A	L 724-R	Driving Handle, Right	2.90
34-B	242-N	Nut, Tank Band to Fan Hsg. Bolt	.05
34-C	401-W	Washer, Tank Band to Fan Hsg. Blt.	.01
34-D	303-W	Washer, Tank Band to Fan Hsg. Blt.	.01
35	5167	Hand Lever Grip	.23
36	L 716	Clutch Hand Lever	.72
NS	L 716	Speed Selector Lever	.72
37	L 718	Hand Lever Pivot Bolt	.15
38	L 717	Hand Lever Pivot	.25
39	L 722	Clutch Rod Clevis Pin	.10
40	602-C	Clevis Cotter Pin	.01
41	401-W	Hand Lever Pivot Bolt Washer	.01
42	204-N	Hand Lever Pivot Bolt Nut	.02
43	L 728	Driving Handle Bracket	.40
44	L 742	Clutch Rod Brace	.10
45	205-N	Drive Handle Bracket Bolt Nut	.03
46	305-W	Drive Handle Brkt. Blt. Lk. Wshr.	.01
47	403-W	Drive Handle Brkt. Blt. Flat Wshr.	.01
48	131-S	Drive Handle Rear Bolt	.10
49	L 720-L	Clutch Rod, Long	.99
50	L 720-S	Clutch Rod, Short	.95
51	220-N	Clutch Rod Adjusting Nut	.02
52	L 820	Hood	1.60
53	L 222	Fan Housing	4.01
NS	L 705-H	Needle Valve Assembly	.20
NS	L 705-I	Glass Bowl	.10
NS	L 705-J	Bail Assembly	.32
NS	L 705-K	Screen	.13
NS	L 705-L	Filter Top	.40
NS	L 705-M	Clamping Cup Assembly	.20
NS	L 705-N	Cork Gasket	.04

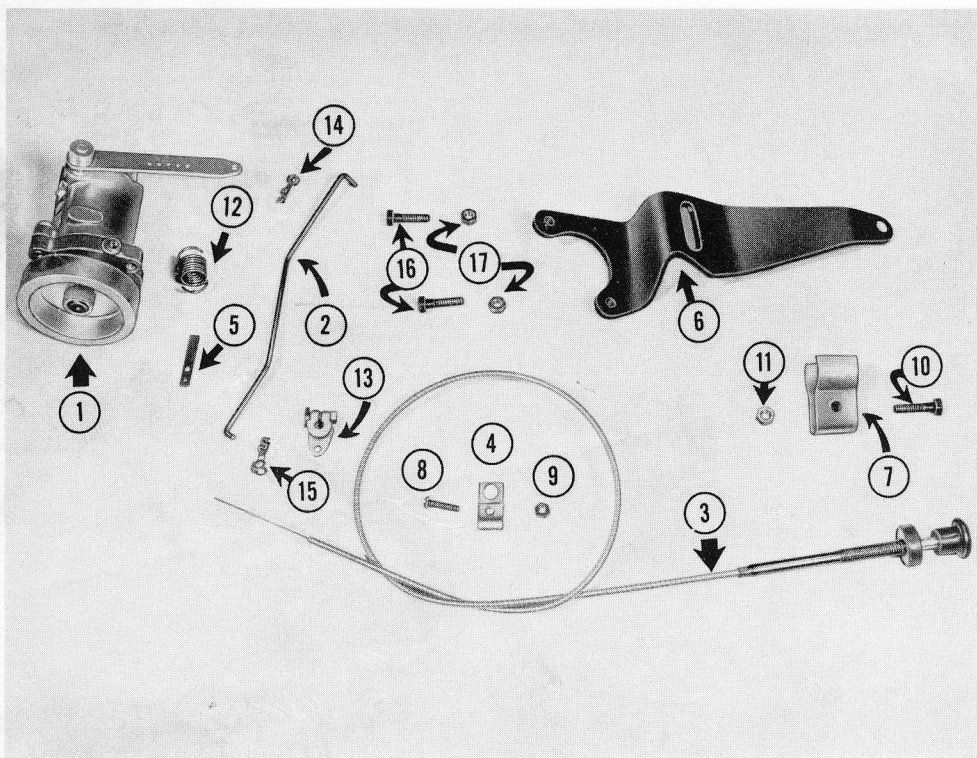


PLATE H

Photo No.	Part No.	Description	Price	Photo No.	Part No.	Description	Price
1	G 101	Governor	28.18	6	G 106	Mounting Bracket	1.38
2	G 102	Throttle Rod	.29	7	G 107	Control Bracket	.28
3	G 103	Boden & Wire Throttle Assy.	2.25	8	102-S	Boden & Wire Clip Screw	.02
4	G 104	Boden & Wire Throttle Assy. Clip	.17	9	207-N	Boden & Wire Clip Screw Nut	.01
5	G 105	Spring Connector	.09	10	177-S	Control Bracket Mounting Screw	.03

Governor

Photo No.	Part No.	Description	Price
11	201-N	Control Bracket Mounting Screw Nut	.02
12	SN-5	Spring	.98
13	AC-575	Carburetor Bellcrank	.40
14	C-598	Throttle Rod Clip R. H. (Thr. Rod at Lever)	.12
15	C-858	Throttle Rod Clip L. H. (Thr. Rod at Carb.)	.04
16	177-S	Governor to Mtg. Brkt. Screw	.02
17	201-N	Governor to Mtg. Brkt. Screw Nut	.01
NS	A2796	Spider and Shaft Assy.	4.03
NS	A3810	Body and Bushing Assy.	7.65
NS	G3168	Bushing for A-3810	.46
NS	G9021-15	Body for A3810	6.50
NS	A4328	Pulley Assembly	1.60
NS	A4504	Throttle Lever Assembly	1.15
NS	G3168	Bushing (Body at Drive Shaft)	.46
NS	G8075	Plug (Body at Rocker Shaft)	.23
NS	G8883	Weight Pin	.12
NS	G9121-8	Flange	5.18
NS	G9821-1	Swivel Yoke	1.44
NS	G9843	Thrust Sleeve	1.73
NS	G10126	Rocker Shaft	1.15
NS	G8650-PM	Governor Weight	3.45
NS	X-455	Escutcheon Pin	.12
NS	X-121	Set Screw 1/4-20x1/2(Pulley)	.12
NS	X-1050	Lock Washer (Body to Flange)	.12
NS	X-1158	Groove-Pin 3/32x5/8 (Hub in Lever)	.17
NS	X1221	Oil Seal (Flange)	.46
NS	X-1244-1	Name Plate	.20
NS	X1300	Ball Bearing(Flange & Thrust Sleeve)	2.30
NS	X1413	Gasket	.17
NS	X1555	Oil Seal (Body at Rocker Shaft)	.23
NS	X1619	Rd. Hd. Screw(Body to Flange)	.17
NS	X1914	Internal Snap Ring (Flange)	.29
NS	X1915	External Snap Ring (Drive Shaft)	.29
NS	X1923	External Snap Ring (Drive Shaft)	.23
NS	X1983	Retaining Ring (Weight Pins)	.12