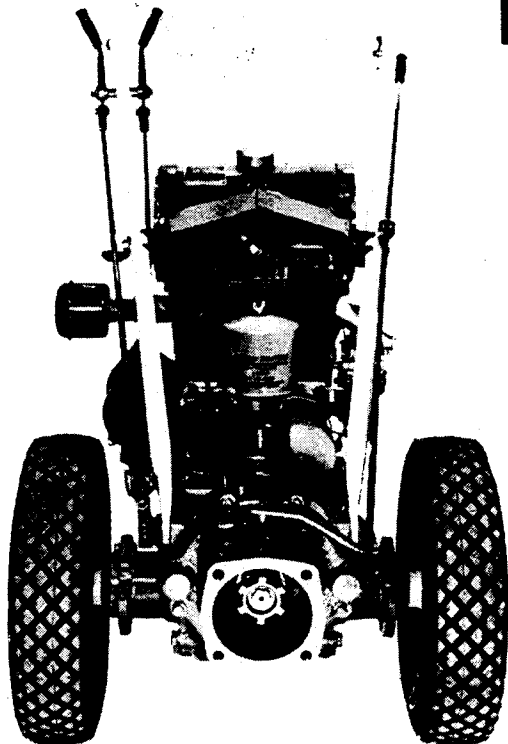




TRACTOR



▲ SAFETY MESSAGE ▲

The product for which you have requested information or replacement parts is not a current product. The replacement models incorporate product designs, safety features, safety instructions or warnings which represent the latest "State Of The Art" developments. For your safety and those around you please contact your nearest Ariens/Gravely Dealer for a demonstration of the current product safety provisions and features.

To continue its program of quality and design improvement, the manufacturer reserves the right to change specifications, designs or prices without notice and without incurring obligation.

ILLUSTRATED PARTS LIST

Effective Date

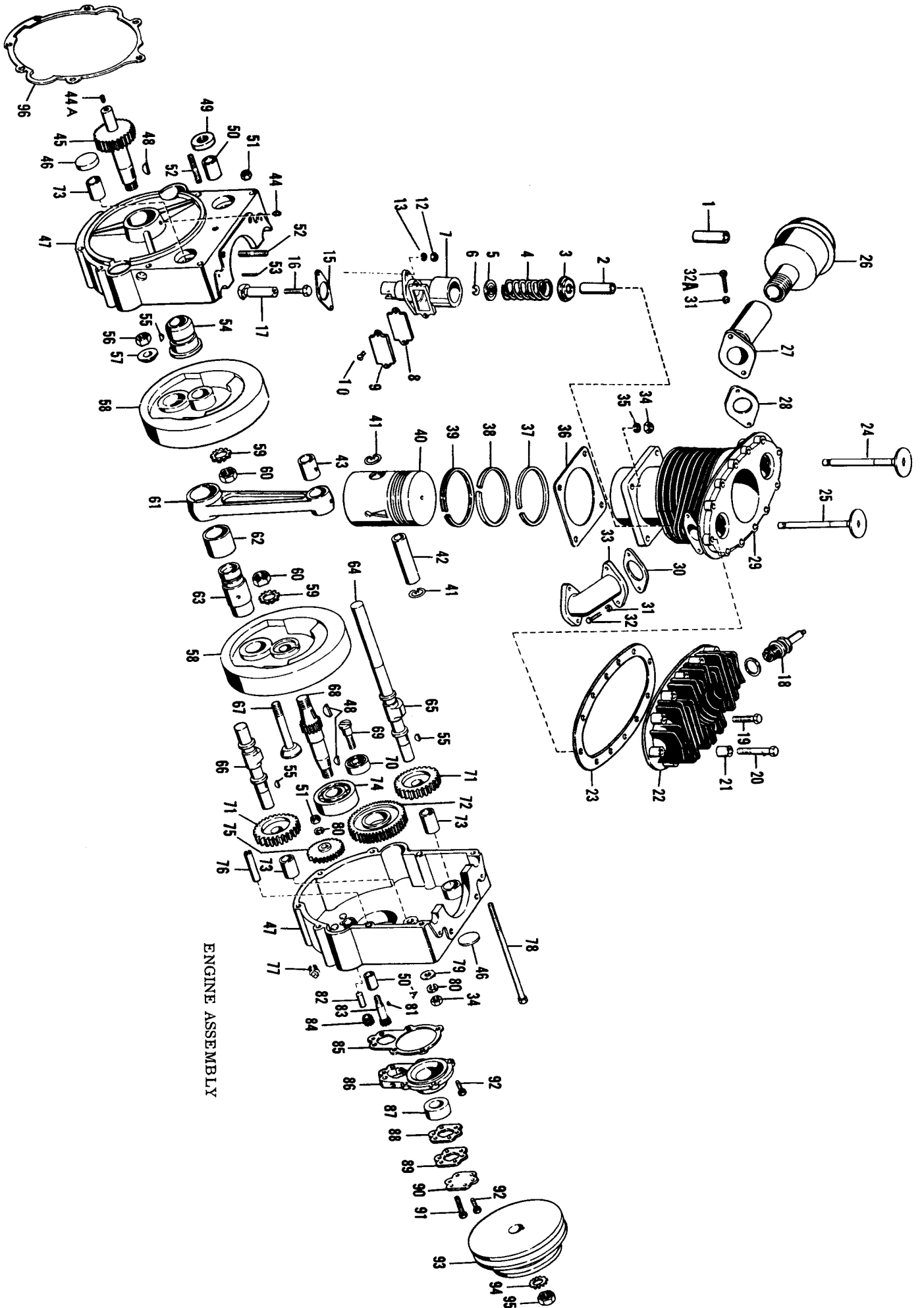
APRIL 1, 1963

TRACTORS WITH MFG. NOS. (SEE NAMEPLATE)

BEGINNING A-1, B-1, C-1, D-1, E-1, F-1, G-1,



1 GRAVELY LANE
CLEMMONS, NORTH CAROLINA 27012



ENGINE ASSEMBLY

ENGINE COMPONENTS

<u>ITEM NO.</u>	<u>OLD PART NO.</u>	<u>NEW PART NO.</u>	<u>DESCRIPTION</u>	<u>QUANTITY REQ</u>
1	L-881-X	12737P1	Valve Guide, Bronze	1
2	L-881-N	12736P1	Valve Guide, Cast Iron	1
3	L-882	12738P1	Valve Spring Locator Sleeve	2
4	L-312	12613P1	Valve Spring	2
5	5741	5741P1	Valve Spring Cap	2
6	5742	5742P1	Valve Spring Cap Key	2
7	L-403-A	12616P1	Valve Plunger Guide & Cover	1
8	L-879	12734P1	Valve Cover Gasket	2
9	L-878	12733P1	Valve Cover Cap	2
10	101-S	121749	Valve Cover Cap Bolt	4
12	202-N	120613	Nut	4
13	303-W	120423	Lockwasher	4
15	L-407-A	18318P1	Valve Plunger Gasket	2
16	L-880	12735P1	Valve Tappet Screw	2
17	L-404	12617P1	Valve Plunger	2
18	1709	1709P1	Spark Plug and Washer	1
19	154-S	180082	Cylinder Head Bolt, Short	10
20	155-S	180087	Cylinder Head Bolt, Long	2
21	L-840	12713P1	Cylinder Head Bolt, Sleeve	2
22	5734		Service this cylinder head with 10877P1. The cylinder head (10877P1) is completely interchangeable, however, it requires spark plug, 10965P1	
23	5735	5735P1	Cylinder Head Gasket	1
24	L-311-X	12612P1	Valve, Exhaust	1
25	L-311-N	12611P1	Valve, Intake	1
26	L-816	8227P1	Muffler	1
27	L-301-D	12606P1	Manifold, Exhaust	1
28	L-407-C	12621P1	Manifold to Cylinder Gasket, Exhaust	1
29	5733P1	15366A1	Cylinder, inclusive of valve guides 12736P1 and 12737P1.	
30	L-407-C	12621P1	Manifold to cylinder gasket	1
31	303-W	120423	Manifold Bolt Lockwasher	4
32	164-S	180020	Manifold Bolt, Intake	2
32-A	164-SG	180020	Manifold Bolt, Exhaust	2
33	L-301-A	12605P1	Manifold, Intake	1
33-A	L-301-B	12998P1	Carburetor Gasket	1
34	206N	120369	Cylinder Stud Bolt Nut	5
35	306W	120382	Heavy Lockwasher for Cylinder Stud	4
36	L-317	12614P1	Cylinder Bottom Gasket	1
37	LH548		Rings are serviced only as one of the following complete sets:	
38	LH547		14595A1 - .005	
39	LH546-C		14599A1 - .025 14594A1 - Std.	
			14596A1 - .010 14598A1 - .020	
			14600A1 - .030 14597A1 - .015	
40	LH543		Piston with pin	1
			14592A1 -Std. 14051A1 - .010	
			14053A1 - .020 14055A1 - .030	
			14050A1 - .005 14052A1 - .015	
			14054A1 - .025	

ENGINE COMPONENTS

<u>ITEM NO.</u>	<u>OLD PART NO.</u>	<u>NEW PART NO.</u>	<u>DESCRIPTION</u>	<u>QUANTITY REQ</u>
41	LH545	13076P1	Piston Pin Lock	2
42	LH544	13075P1	Piston Pin	1
43	L-306-A	12609P1	Connecting Rod Bushing	1
44	803-A	102570	Crankcase Bushing Set Screw	1
44-A	801-A	102592	Pinion Shaft Set Screw	1
45	L-109	12580P1	Drive Pinion Shaft	1
46	L-414	12624P1	Expansion Plug	3
47	L-101-2	10122A1	Crankcase	1
48	504-K	124549	Drive Pinion Shaft Key	2
49	L-412	12622P1	Camshaft Oil Seal	1
50	L-406-I	12619P1	Crankcase Bushing	1
50-A	L-402-B	12629P1	Oil Pump Bushing	1
51	220-N	120376	Oil Pump Master Gear Nut	1
52	L-303	12607P1	Cylinder Stud Bolt & Crankcase Bolt	5
53	L-405	12618P1	Plunger Guide Stud	4
54	L-117	12583P1 (std)	Drive Pinion Bearing	1
		13804P1 (005)	Drive Pinion Bearing Oversize	
55	503-K	124546	Camshaft Gear Key	1
56	210-N	124934	Spreader Bolt Nut	1
57	L-107	12579P1	Spreader Bolt Washer	1
58	L-104	12576P1	Flywheel	2
59	L-113	13800P1	Flywheel Nut Lockwasher	2
60	L-112	12582P1	Flywheel Nut	2
61	L-863	10124A1	Connecting Rod with Bushings	1
62	L-306-B	12610P1	Connecting Rod Bushing, Large	1
63	L-105	12577P1 (std)	Crankpin	1
		11882P1 (005)		
64	L-810-A	12698P1	Magneto Shaft Extension	1
65	L-402	12615P1	Exhaust Camshaft	1
66	L-424	12630P1	Intake Camshaft	1
67	L-106	12578P1	Spreader Bolt	1
68	L-110	12581P1	Timing Pinion Shaft	1
69	L-417	12627P1	Bearing Stud	1
70	L-416	12626P1	Idle Gear Bearing	1
71	L-413	12623P1	Camshaft Gear	2
72	L-415	12625P1	Idle Gear	1
73	L-426	12631P1	Camshaft Bushing	3
74	L-115	12984P1	Timing Pinion Bearing	1
75	L-419-A	12628P1	Oil Pump Drive Gear	1
76	L-120	12584P1	Crankcase Dowel	2
78	L-116	189300	Crankcase Bolt	8
79	403-W	120394	Idler Gear Stud Flat Washer	1

ENGINE COMPONENTS

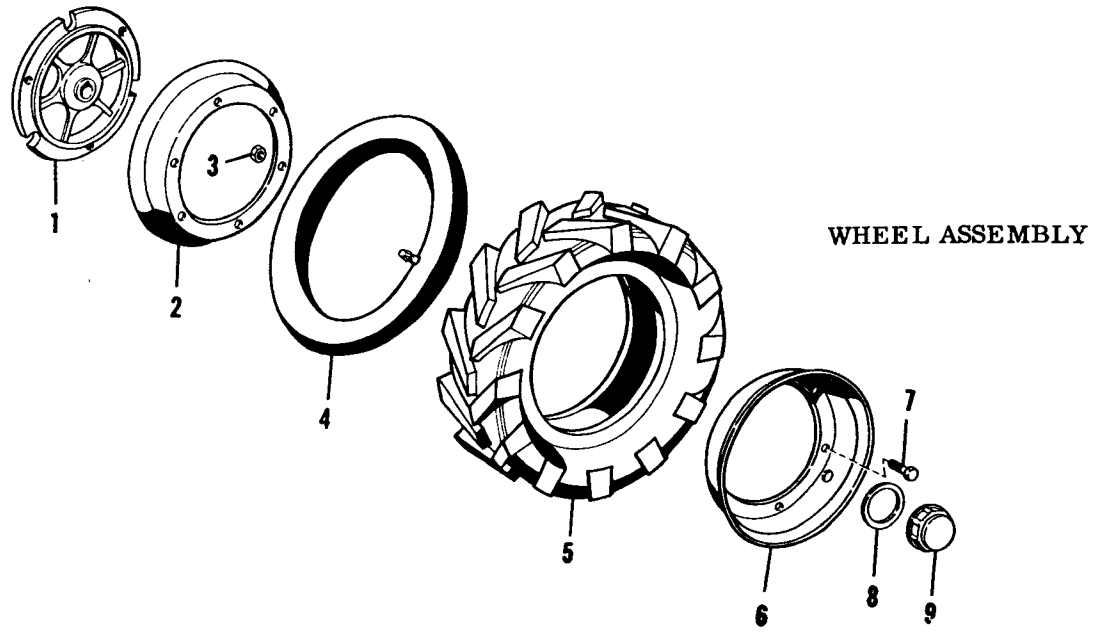
<u>ITEM NO.</u>	<u>OLD PART NO.</u>	<u>NEW PART NO.</u>	<u>DESCRIPTION</u>	<u>QUANTITY REQ</u>
80	305-W	120381	Lockwasher	5
81	507K	431788	Oil Pump Master Gear Key	1
82	L-855	12721P1	Idler Gear Stud	1
83	L-853	12719P1	Oil Pump Master Gear	1
84	L-854	12720P1	Oil Pump Idler Gear	1
85	L-125	12585P1	* Bearing Cap Gasket	1
86	L-850	18073P1	Bearing and Pump Cap	1
87	L-126-A	13491P1	Bearing Cap Couple Oil Seal	1
88	L-852	12717P1	* Gasket	1
89	L-852-A	12718P1	* Pump Cover Shim	Opt.
90	L-851	12716P1	Pump Cover	1
91	185-S	180033	Bearing Cap Bolt	3
92	165-S	180016	Bolts	3
93	5745	5745P1	Pulley	1
94	309-W	138557	Fan Drive Pulley Nut, Lockwasher	1
95	218-N	121358	Fan Drive Pulley Nut	1
N.S.	2801N	13452P1	Starter Strap	
N.S.	MA1602	10895A1	Service Engine	
N.S.		15647A1	C engine overhaul gasket set	
N.S.		15646A1	Ring-Valve Gasket Set	
N.S.		15648A1	Transmission Gasket Set	
N.S.		14603A1	Gasket Set	

* Not required with 18073P1

MAJOR BEARING CHANGES IN TRACTOR CHASSIS

Beginning with tractor Mfg. No. I-11553, the rear bearing on L-521 worm shaft and axle bearings have a smaller diameter Timken Roller Bearing. The following parts will be affected:

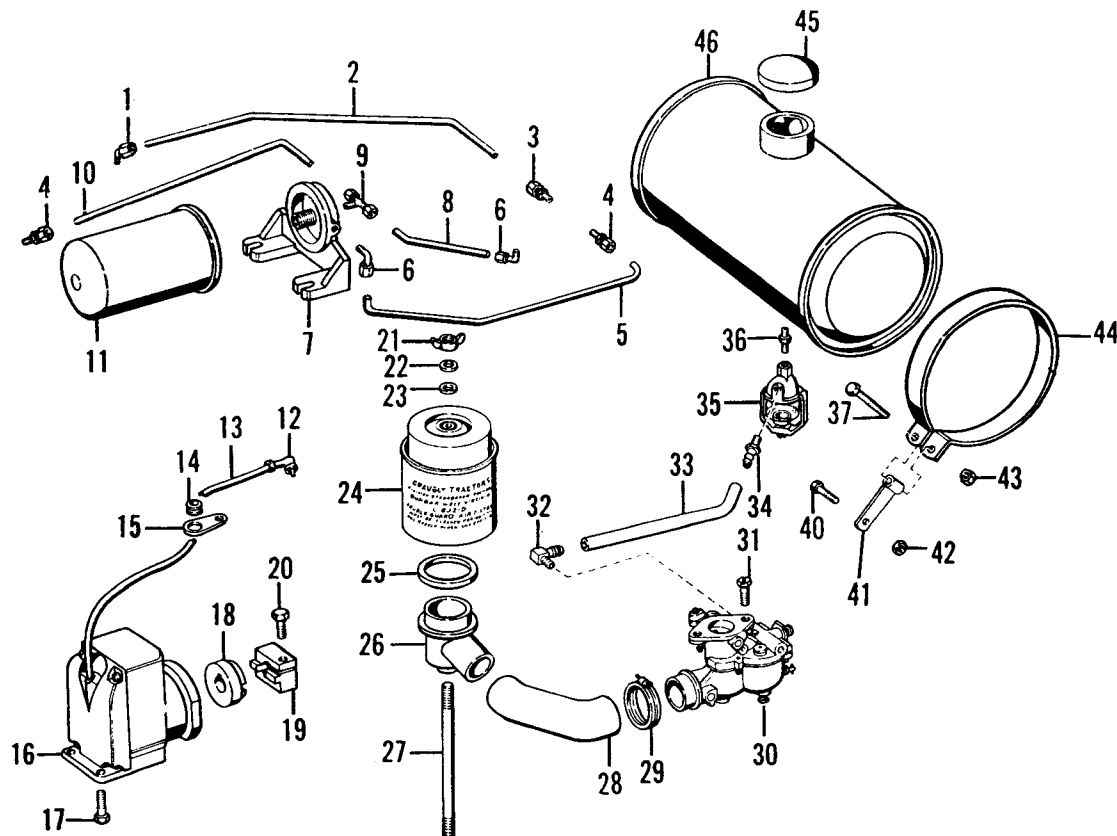
<u>OLD PART NO.</u>	<u>DESCRIPTION</u>	<u>NEW PART NO.</u>
L-201	Chassis Casting	10388P1
L-522-C	Rear Worm Shaft Bearing Cone Only	10389A1
L-522-R	Rear Worm Shaft Bearing Race Only	10390P1
L-611-B	Axle	10377P1
L-203-E	Axle Housing	10380P1
6728	Axle Housing, Two Speed	10381P1
RB-110-R	Axle Bearing Race	9245P1
RB-110-C	Axle Bearing Cone	9246A1
7106	Shim .020"	10382P1
7107	Shim .005"	10383P1
7103	Bearing Cap Gasket	10384P1
L-204-E	Bearing Cap	10379P1



WHEEL ASSEMBLY

WHEEL ASSEMBLY

<u>ITEM NO.</u>	<u>OLD PART NO.</u>	<u>NEW PART NO.</u>	<u>DESCRIPTION</u>	<u>QUANTITY REQ</u>
1	L-614-B	12671P1	Wheel Hub	2
2	L-616-IR	12674P1	Inner Rim	2
3	3509	124829	Rim Bolt Nuts	6
4	L-616-TU	13573P1	Tire Tube	2
N.S.		11637P1	Puncture Proof Tube	
5	L-616-TI	13835P1	Sure Gripe Tire	2
N.S.		13836P1	Diamond Tread Tire	
6	L-616 OR	12673P1	Outer Rim	2
7	179-S	180118	Rim Bolts	6
8	L-613	12670P1	Hub Cap Washer	2
9	L-619	13505P1	Hub Cap	2
N.S.		10141A1	Complete Wheel Assy. - Sure Grip	
N.S.		10142A1	Complete Wheel Assy. - Diamond Tread	



FUEL, MAGNETO, AND OIL SYSTEMS

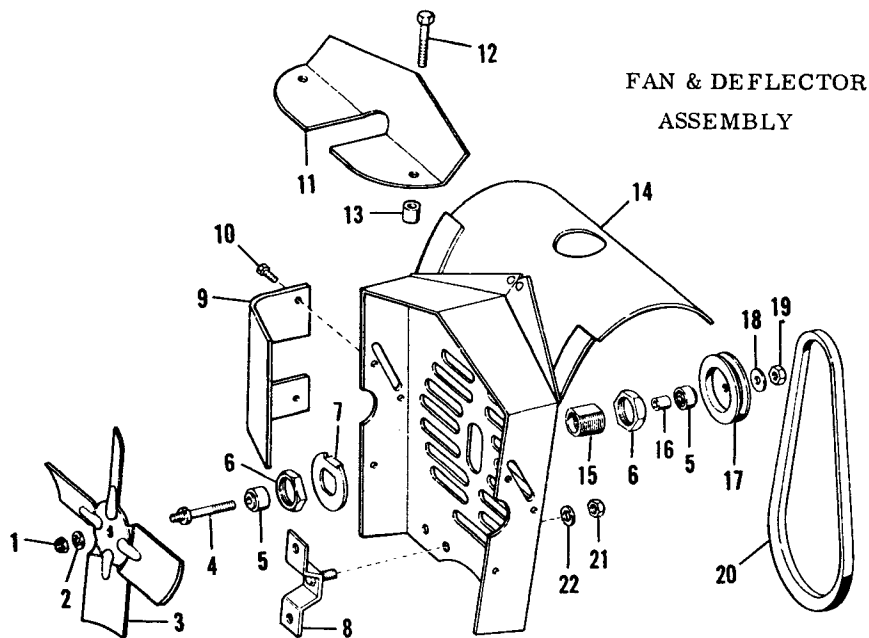
<u>ITEM NO.</u>	<u>OLD PART NO.</u>	<u>NEW PART NO.</u>	<u>DESCRIPTION</u>	<u>QUANTITY REQ</u>
1	L-814-F	13067P1	Oil Line Elbow	1
2	L-813-A	12700P1	Oil Intake Line	1
3	L-814-A	13022P1	Pump Inlet Connector	1
4	L-707	10137A1	Relief Valve and Pump Connector	2
5	L-859	12724P1	Oil Line, pump to filter	1
6	L-814DL	13507P1	Engine Elbow, Long Style	1
7	L-858	12723P1	Oil Filter Bracket	1
8	L-860	12725P1	Oil Line, Filter to Engine	1
9	L-814C	13065P1	Discharge Line Tee	1
10	L-861	13049P1	Oil Line, Filter to Relief	1
11	L-857	12722P1	Oil Filter	1
12	1726	1726P1	Spark Plug Rubber Cover	1
13	1731	1731P1	Magneto Cable	1
14	L-827	12325P1	Rubber Grommet	1
15	L-826	12708P1	Cable Bracket	1
16	L-808	13500P1	Magneto	1
<p>When ordering parts for carburetor or magneto repair, be sure to specify the make and model number. Secure this information directly from the small name plate attached to the carburetor or magneto.</p>				
17	179-S	180118	Magneto to Chassis Bolt	2
18	L-809-F	12697P1	Magneto Fibre Float Member	1
19	L-811	12699P1	Magneto Coupling Steel	1
20	154-S	180082	Magneto Coupling Bolt	1
21	EWN-4C	10413P1	Wing Nut	1
22	401-W	120386	Washer	1
23	L-837	13032P1	Rubber Washer	1
24	L-832-D	13043P1	Double Air Guard	1
N.S.	L-832-E	13042P1	Air Filter Element	1

<u>ITEM NO.</u>	<u>OLD PART NO.</u>	<u>NEW PART NO.</u>	<u>DESCRIPTION</u>	<u>QUANTITY REQ</u>
N.S.	L-832-R	13877P1	Rubber Sealing Ring	1
N.S.	L-832-W	13030P1	Oil Wick	1
N.S.	L-832-H	12710P1	Base Grommet	1
N.S.	L-832-G	13876P1	Grommet	1
26	L-833	10898P1	Mounting Bracket	1
27	L-819-E	13025P1	Air Filter Bolt	1
28	L-841	13045P1	Air Filter Hose	1
29	L-836	13031P1	Air Filter Hose Clamp	2
30	L-806-Z	10878A1	Carburetor	1
31	126-S	180077	Carburetor Bolt	2
32	L-843	13501P1	Elbow, Carburetor to Gas Line	1
33	L-844	12714P1	Gas Line	1
34	L-842	13502P1	Gas Line to Gas Strainer Connector	1
35	L-705	13013A1	Gas Strainer Complete	1
Gas strainers (name of strainer cast into strainer body)				
<u>Tillotson Strainer</u>				
N.S.	L-705-A	13842P1	Shut Off Cock	1
N.S.	L-705-B	13843P1	Gas Strainer Bowl	1
N.S.	L-705-C	13844P1	Gas Strainer Cup Assy.	1
N.S.	L-705-D	13845P1	Gas Strainer Screen	1
N.S.	L-705-E	13846P1	Gas Strainer Head	1
N.S.	L-705-F	13847P1	Gas Strainer Bale Assy.	1
N.S.	L-705-G	13848P1	Gas Strainer Bowl Gasket	1
<u>Crippen Strainer</u>				
N.S.	L-705-H	13849P1	Shut Off Cock	1
N.S.	L-705-I	13850P1	Gas Strainer Bowl	1
N.S.	L-705-M	13854P1	Gas Strainer Cup Assembly	1
N.S.	L-705-K	13852P1	Gas Strainer Screen	1
N.S.	L-705-L	13853P1	Gas Strainer Head	1
N.S.	L-705-J	13851P1	Gas Strainer Bale Assembly	1
N.S.	L-705-N	13855P1	Gasket	1
36	L-814-E	13492P1	Gas Filter Nipple	1
37	149-S	13625P1	Tank Band Bolt	2
40	114-S	181596	Tank Bank Bolt	2
41	5164-B	13503P1	Anchor Bracket	2
42	233-N	190139	Elastic Stop Nut	4
43	233-N	190139	Elastic Stop Nut	4
44	5164-A	10357P1	Tank Band, Right & Left	2
45	2505	2505P1	Gas Tank Cap	1
46	L-701	10148A1	Gas Tank	1

Oil Pressure Gauge

A. New style lubrication system on tractors starting in 1958 (manufacturing number B-7620) or on all tractors converted to heavy oil pump and full-flow oil filter.

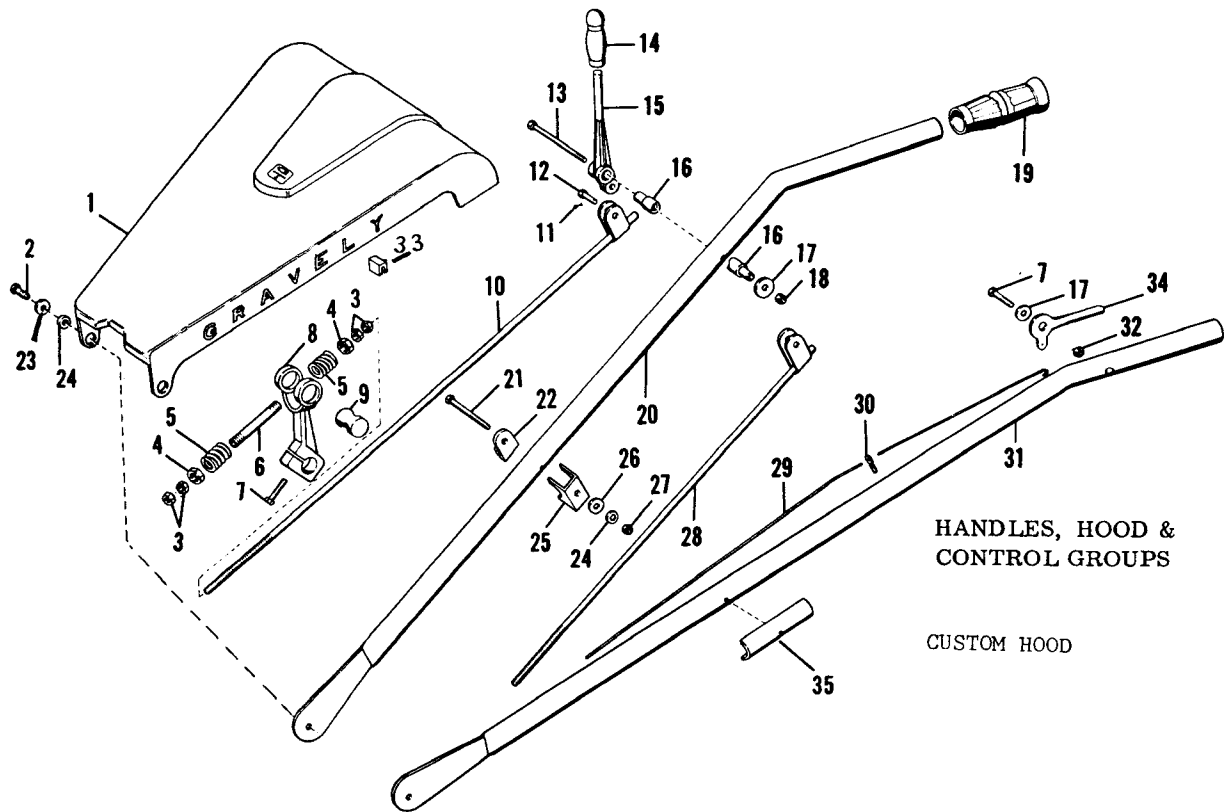
L-866	10449A1	Oil Gauge Only
L-867	13064P1	Oil Gauge Adapter



FAN & DEFLECTOR
ASSEMBLY

FAN AND DEFLECTOR ASSEMBLY

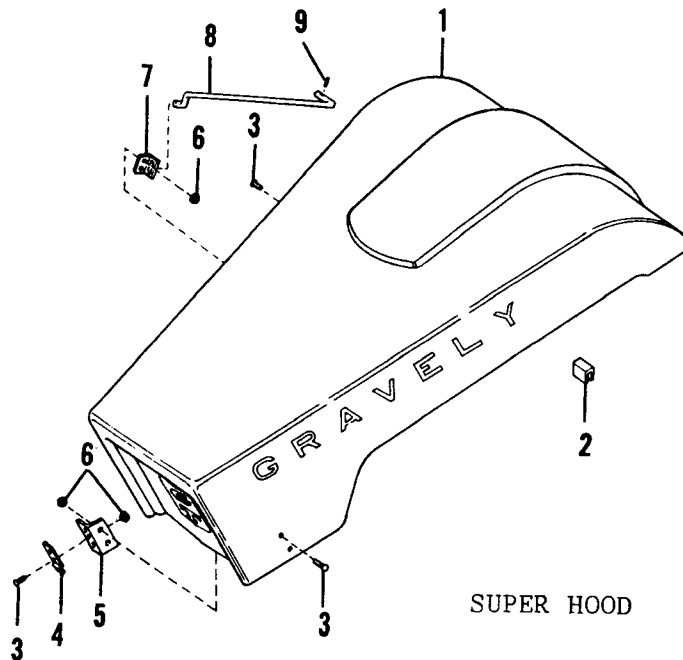
<u>ITEM NO.</u>	<u>OLD PART NO.</u>	<u>NEW PART NO.</u>	<u>DESCRIPTION</u>	<u>QUANTITY REQ</u>
1	206 N	120369	Fan Securing Nut	1
2	305 W	138542	Fan Nut Lockwasher	1
3	L 805	12397P1	Fan Blade	1
4	5137	5137P1	Fan Shaft	1
5	5139	5139P1	Fan Ball Bearing	2
6	5134	5134P1	Fan Bearing Lock Nut	2
7	L-830	12709P1	Fan Retainer Adjusting Washer	1
8	L-224	10145A1	Fan Housing Bracket	2
9	L-838-A-RH	12711P1	Air Deflector R.H.	1
	L-838-B-LH	12712P1	Air Deflector L.H.	1
10	156-S	167257	Screws	4
11	L-839	13036P1	Cylinder Head Air Deflector	1
12	155-S	180087	Long Cylinder Head Screw	2
13	L-340	12713P1	Deflector Spacer	2
14	L-222	10150A2	Fan Housing	1
15	5133	5133P1	Fan Bearing Race Retainer	1
16	5165	5165P1	Fan Bearing Spacer	1
17	L-802	12696P1	Fan Pulley	1
18	401-W	120386	Fan Pulley Jam Nut Washer	1
19	204-N	120368	Fan Pulley Jam Nut	1
20	5163	5163P1	Fan Belt	1
21	205-N	120377	Nut	2
22	403-W	120384	Flat Washer	2



CONTROLS

<u>ITEM NO.</u>	<u>OLD PART NO.</u>	<u>NEW PART NO.</u>	<u>DESCRIPTION</u>	<u>QUANTITY REQ</u>
1	L-820-A	10911E1	Custom Hood	1
2	112-S	180124	Bolt	2
3	206-N	120369	Clutch Adjusting Nut	4
5	L-729	11779P1	Spring	4
6	L-730	13860P1	Clutch Rod	2
7	154-S	180082	Throttle Lever Pivot Bolt	3
8	L-715	10894A1	Clutch Actuating Lever	2
9	L-723	12686P1	Clutch Rod Pivot	2
10	L-720-L	13037P1	Clutch Rod, Long	1
11	602-C	103373	Cotter Pin	2
12	L-722	138116	Clutch Rod Clevis Pin	2
13	L-718	189324	Hand Lever Bolt	1
14	5167	5167P1	Hand Lever Grip	2
15	L-716	12683P1	Hand Lever	2
16	L-717	12684P1	Hand Lever Pivot	2
17	L-744	120393	Washer	1
18	233-N	190139	Hand Lever Pivot Bolt Nut	2
19	L-725	13034P1	Grip	2
20	L-724-R	12688P1	Drive Handle R.H.	1
21	131-S	180138	Hex Hd. Bolt	2
22	L-742	13863P1	Clutch Rod Brace	1
23	L-821	120394	Washer	2
24	305-W	12704P1	Hood Spacer Washer	2
25	L-728	12690P1	Drive Handle Brackets	2
26	403W	120394	Washer	2
27	205N	456004	Nut	2

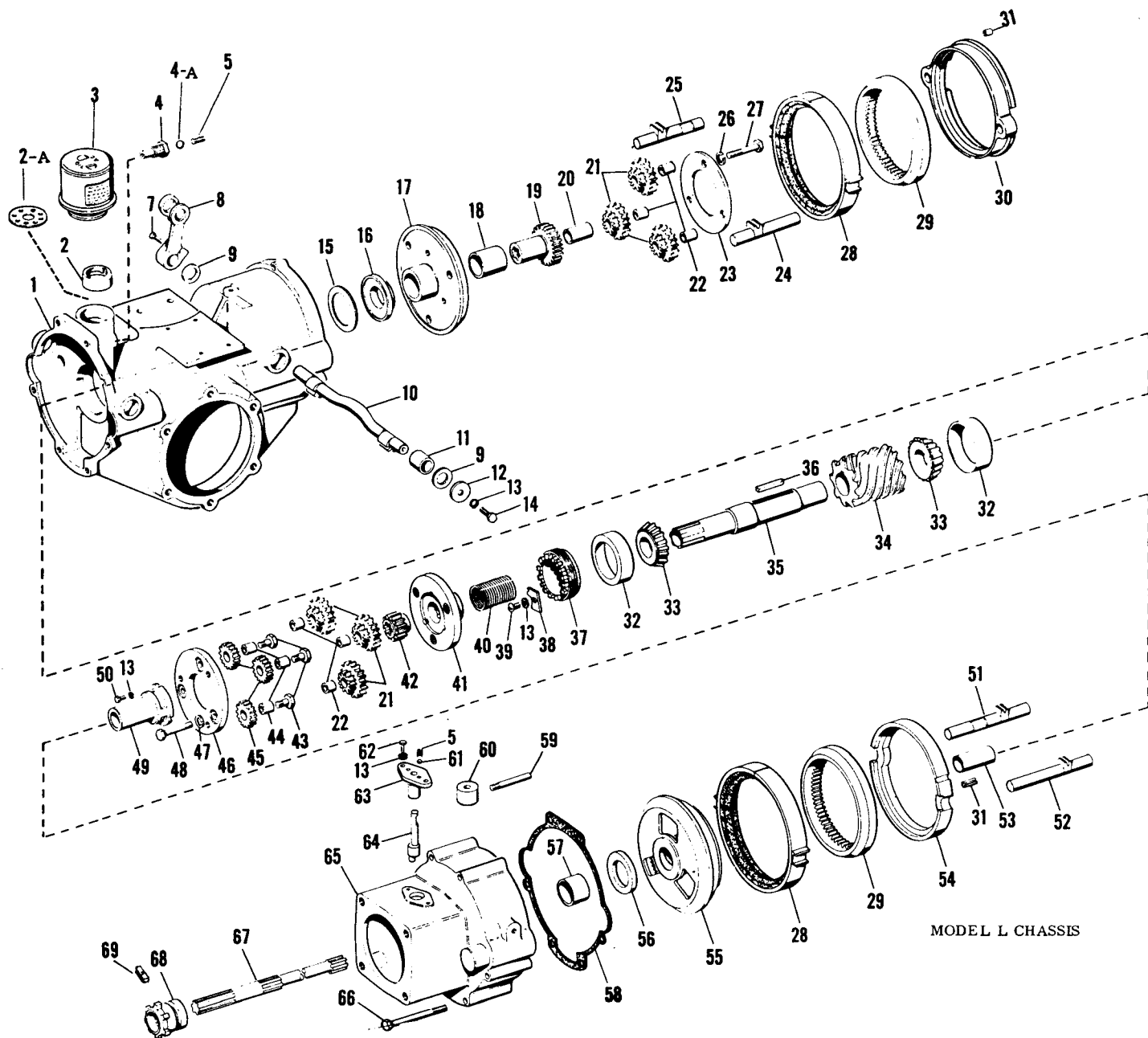
<u>ITEM NO.</u>	<u>OLD PART NO.</u>	<u>NEW PART NO.</u>	<u>DESCRIPTION</u>	<u>QUANTITY REQ</u>
28	L-720-S	13038P1	Clutch Rod, Short	1
29	L-737	13861P1	Throttle Wire	1
30	L-743	13864P1	Throttle Stud	1
31	L-724-L	12687P1	Drive Handle, L.H.	1
32	214-N	120376	Nut	1
34	L-740-A	13522P1	Throttle Lever	1
35	L-726	12689P1	Clamp	2
N.S.		19329A1	Neutral Lock Kit	
N.S.		19536A1	Decal Pack	



SUPER HOOD

<u>ITEM NO.</u>	<u>OLD PART NO.</u>	<u>NEW PART NO.</u>	<u>DESCRIPTION</u>	<u>QUANTITY REQ</u>
1	ST 127	11341E1	Super Hood	1

Items 2 thru 9 inclusive are no longer available. The super hood assembly, 11341E1, contains the hood and all hardware and bumpers necessary to install it on a tractor.



MODEL L CHASSIS

TRANSMISSION

<u>ITEM NO.</u>	<u>OLD PART NO.</u>	<u>NEW PART NO.</u>	<u>DESCRIPTION</u>	<u>QUANTITY REQ</u>
1	L-201	10388P1	Chassis Casting	1
2	L-211	12593P1	Chassis Oil Filler Neck	1
3	L-212	10884A2	Oil Filler Cap	1
4	L-856	13048P1	Relief Valve Body	1
4-A	L-865	13570P1	Relief Valve Check Ball	1
5	L-815-D	12702P1	Spring .025	2
7	154-S	180082	Actuating Lever Clamp Bolt	2
8	L-715	10894A1	Actuating Shaft Lever	2
9	L-735	13493P1	Oil Seal Washer	1
10	L-712	12681P1	Clutch Actuating Shaft	2
11	L-713	13016P1	Actuating Shaft Bushing	4
12	L-736	446470	Thrust Washer	2
13	303-W	120423	Quill Securing Bolt Washer	8
14	165-S	180016	Bolt	2

TRANSMISSION

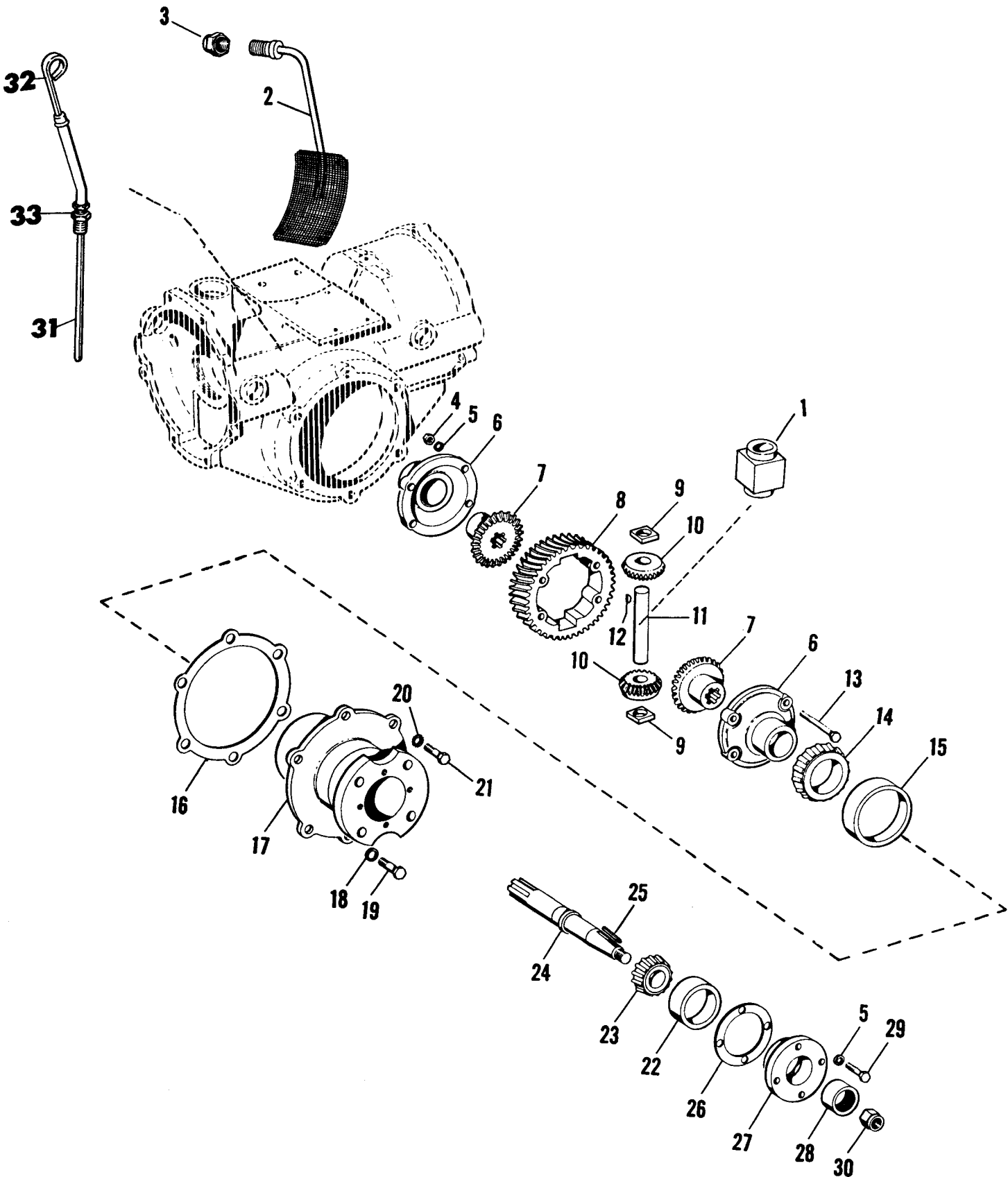
<u>ITEM NO.</u>	<u>OLD PART NO.</u>	<u>NEW PART NO.</u>	<u>DESCRIPTION</u>	<u>QUANTITY REQ</u>
15	2211	13423P1	Shim .020	1
16	L-519	12645P1	Rear Thrust Plate	1
17	L-506	10472A1	Rear Pin Plate	1
18	L-535	12652P1	Rear Pin Plate Bushing	1
19	L-511	11707A1	Sun Gear	1
20	L-534	14220P1	Bushing	1
21	L-513	12639P1	Orbit Gear	6
22	L-514	12640P1	Orbit Gear Pin	6
23	L-515	12641P1	Pin Spacer	1
24	L-711-R	12680P1	Clutch Slide Rod, Short	1
25	L-711-L	12679P1	Clutch Slide Rod, Short	1
Clutch slide rods: When ordering clutch cup (Part 12644A1) for tractors manufactured earlier than 1956, it is necessary to also order the clutch slide rods, parts 12677P1 (long) left and 12678P1 (long) right for the front clutch, or parts 12679P1 (short) left and 12680P1 (short) right for the rear clutch. Tractors manufactured prior to 1956 will maintain serial numbers in the range of 2465-M5565.				
26	305WL	13413P1	Spacer Lockwasher, L. H.	3
27	L-516-L	12642P1	Spacer Bolt L.H.	3
28	L-517	12644A1	Clutch Cup	2
29	L-501	12632P1	Internal Gear	2
30	L-524	12649P1	Rear Spacer	1
31	HE106	13456P1	Roll Pin	2
32	L-522-R	12333P1	Worm Shaft Bearing Race	2
33	L-522-C	12332P1	Worm Shaft Bearing Cone	2
34	L-601	13494P1	Worm 4 Lead	1
		13495P1	Worm 6 Lead	
		13496P1	Worm 8 Lead	
35	L-521	12647P1	Worm Shaft	1
36	L-608	12668P1	Worm Key	1
37	L-507	12635P1	Bearing Adjusting Nut	1
38	L-523	12648P1	Adjusting Nut Lock	1
39	164-S	180018	Lock Screw	1
40	L-547	12663P1	Pin Plate Spacer	1
41	L-505	12633P1	Front Pin Plate	1
42	L-510	12637P1	Sun Pinion	1
43	L-542	12658P1	Reverse Idler Bolt	3
44	L-541	12657P1	Reverse Idler Bushing	3
45	L-540	12656P1	Reverse Idler	3
46	L-539	12655P1	Front Pin Spacer	1
47	305-W	138542	Lockwasher	3
48	L-516-R	12643P1	Spacer Bolt Front Pin Plate	3
49	L-536	12653P1	Pin Plate Quill	1
50	191-S	180016	Quill Securing Bolt	3
51	L-710-R	12678P1	Clutch Slide Rod, Long	1
52	L-710-L	12677P1	Clutch Slide Rod, Long	1
53	L-546	12662P1	Pinion Shaft Bearing	1
54	L-508	12636P1	Gear Cup	1
55	L-538	12654P1	Reverse Cone	1
56	L-520	12646P1	Front Thrust Plate	1
57	L-532	12650P1	Quill Bearing	1
58	L-209	12591P1	Chassis Front Gasket	1
59	L-732	12692P1	Shipper Shaft Lever	1
60	L-733	12693P1	Locator Body	1
61	1809	1809P1	Locator Ball	1
62	164-S	180018	Shipper Shaft Guide Bolt	1
63	L-734	10687P2	Shipper Shaft Guide	1
64	L-545	12661P1	Shipper Shaft	1

<u>ITEM NO.</u>	<u>OLD PART NO.</u>	<u>NEW PART NO.</u>	<u>DESCRIPTION</u>	<u>QUANTITY REQ</u>
65	L-202	12587P1	Advance Casting	1
65-A	152-S	180175	Attachment Bolt	4
66	L-207	180735	Advance Casting Bolt	6
67	L-543	11298P1	Pinion Shaft	1
68	L-544	12660P1	Clutch Dog	1
69	L-226	12601P1	Dog Block	1
N.S.		15648P1	Transmission gasket set	

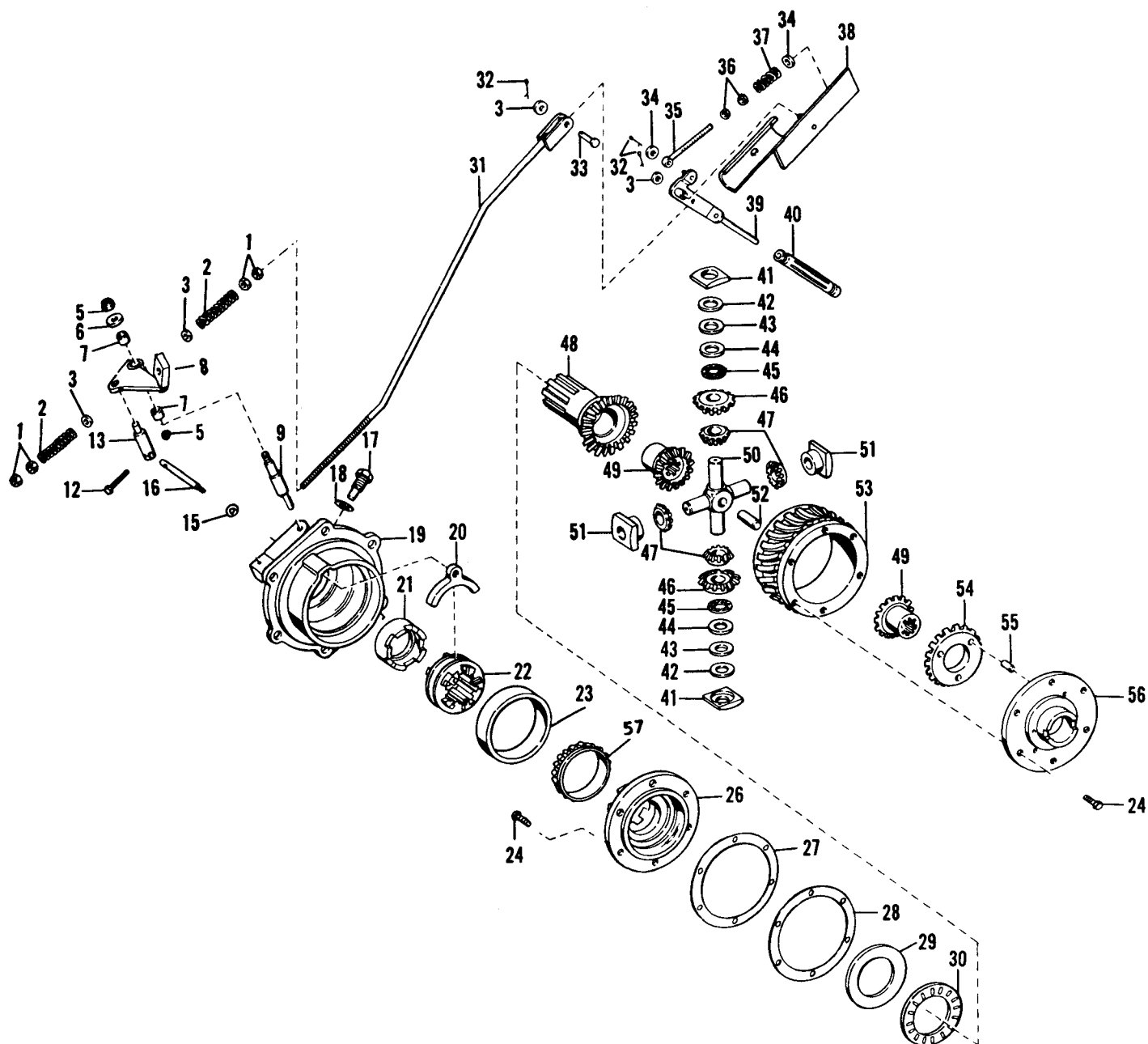
CHASSIS

<u>ITEM NO.</u>	<u>OLD PART NO.</u>	<u>NEW PART NO.</u>	<u>DESCRIPTION</u>	<u>QUANTITY REQ</u>
1	L-606	12559P1	Thrust Block	1
2	L-868	10146A1	Oil Strainer Body	1
2-A	L-823-A	12707P1	Gasket	1
3	218-N	124944	5/16 Hex Nut	1
4	204-N	120368	5/16 Hex Nut	4
5	304-W	138538	5/16 Lockwasher	4
6	L-205	14818P1	Differential Housing	2
7	L-604	12555P1	Bevel Gear	2
8	L-602	13497P1	Worm Gear 4 Lead	1
		13498P1	Worm Gear 6 Lead	
		13499P1	Worm Gear 8 Lead	
9	L-607K	12667P1	Drive Block	2
10	L-603	12666P1	Bevel Pinion	2
11	L-605	12556P1	Pinion Pin	1
12	501-K	271089	No. 213 Woodruff Key	1
13	L-206	181623	5/16 x 2 3/4 Hex Head Bolt	4
14	RB-111-C	13141P1	Roller Bearing Cone	2
15	RB-111-R	13140P1	Roller Bearing Race	2
16	L-220	12595P1	Shim .005	As Required
		12596P1	Shim .020	As Required
16-A	L-220-G	12597P1	Gasket	2
17	L-203-D	12128P1	Axle Housing	2
18	L-213	14318P1	Washer	1
19	123-S	13624P1	1/2 X 7/8 Hex Head Bolt	1
20	308-W	120384	1/2 Lockwasher	11
21	122-S	180173	1/2 x 1 Hex Head Bolt	11
22	RB-110-R	13139P1	Axle Bearing Race	1
23	RB-110-C	14075P1	Axle Bearing Cone	1
24	L-611-HT	13010P1	Axle	2
25	L-615	12672P1	Axle Key	2
26	L-219-D	13814P1	Shim .005	As Required
		13815P1	Shim .020	As Required
27	L-204-D	10379P1	Bearing Cap	2
28	L-221-A	12996P1	Bearing Cap Oil Seal	2
29	126-S	180077	5/16 x 3/4 Hex Head Bolt	8
30	227-N	13412P1	5/8 Locknut	2
31	L-883	10147A1	Dipstick	1
32	L-884	10586P1	Dipstick Guide	1
33	L-885	13056P1	Dipstick Fitting	1

MODEL L CHASSIS (CONT'D)



SWIFTAMATIC DIFFERENTIAL



ITEM
NO.

PART NO.

DESCRIPTION

1	120377	3/8 Hex. Nut
2	6750P1	Clutch Spring
3	120394	13/32 Flatwasher
5	9413314	1/4 Locknut
6	120393	11/32 Flatwasher
7	6724P2	Pivot Bushing
8	6723A1	Shifter Arm
9	10505P1	Stationary Pivot Pin

<u>ITEM NO.</u>	<u>PART NO.</u>	<u>DESCRIPTION</u>
N.S.	6725A	Stationary Pivot Pin (Threaded at both ends)
12	180024	1/4 x 1 1/4 Hex. Hd. Bolt
13	6726P1	Shifter Pin
15	6732P1	"O" Ring
16	6721P1	Clutch Sliding Pin
17	6734P2	Stationary Clutch Bolt
18	138557	5/8 Lockwasher
19	10381P3	Axle Housing
20	6719P1	Shifting Yoke
21	11156P1	Stationary Clutch
22	11632P1	Shifting Clutch
23	12500P1	Bearing Race
24	180077	5/16 x 3/4 Hex. Hd. Bolt (Use 18604P1 Bolt and 18605P1 Wire with 18722A1 Differential Kit)
26	11148P1	Clutch Housing
27	6739P1	Worm Gear Shim .005
28	6740P1	Worm Gear Shim .020
29	6744P1	Thrust Race
30	6743P1	Needle Thrust Bearing
31	6758P1	Shifting Rod
32	103373	3/32 x 3/4 Cotter Pin
33	138116	Clevis Pin
34	120386	9/32 Flatwasher
35	6757P1	Over Center Lock Spring Guide
36	120375	1/4 Hex. Nut
37	10356P1	Toggle Spring
38	6759A1	Shifting Handle Mount Bracket
39	6756A1	Shifter Lever
40	5167P1	Hand Lever Grip
41	6715P2	*Spider Thrust Washer
42	6738P1	*Spider Thrust Shim .020
43	6737P1	*Spider Thrust Shim .005
44	6742P1	Thrust Race
45	6741P1	*Needle Thrust Bearing
46	6702P1	Shifting Train Pinion
47	6708P1	Spider Gear
48	6704P1	Shifting Gear
49	6709P1	Differential Gear
50	6710P1	*Spider Pin
51	6752P1	*Thrust Spacer
52	6711P1	Thrust Pin
53	6705P1	Worm Gear (Replaced by 18722A1 Diff. Kit)
54	6703P1	Pinned Gear
55	6714P1	Dowel Pin
56	12126P1	Pinned Housing
57	12501P1	Roller Bearing Cone
N.S.	12130P1	Roller Bearing Cup
N.S.	12131P1	Roller Bearing Cone
N.S.	14926A1	Differential Assembly w/Bearings

* Not required when ordering 18722A1 Kit