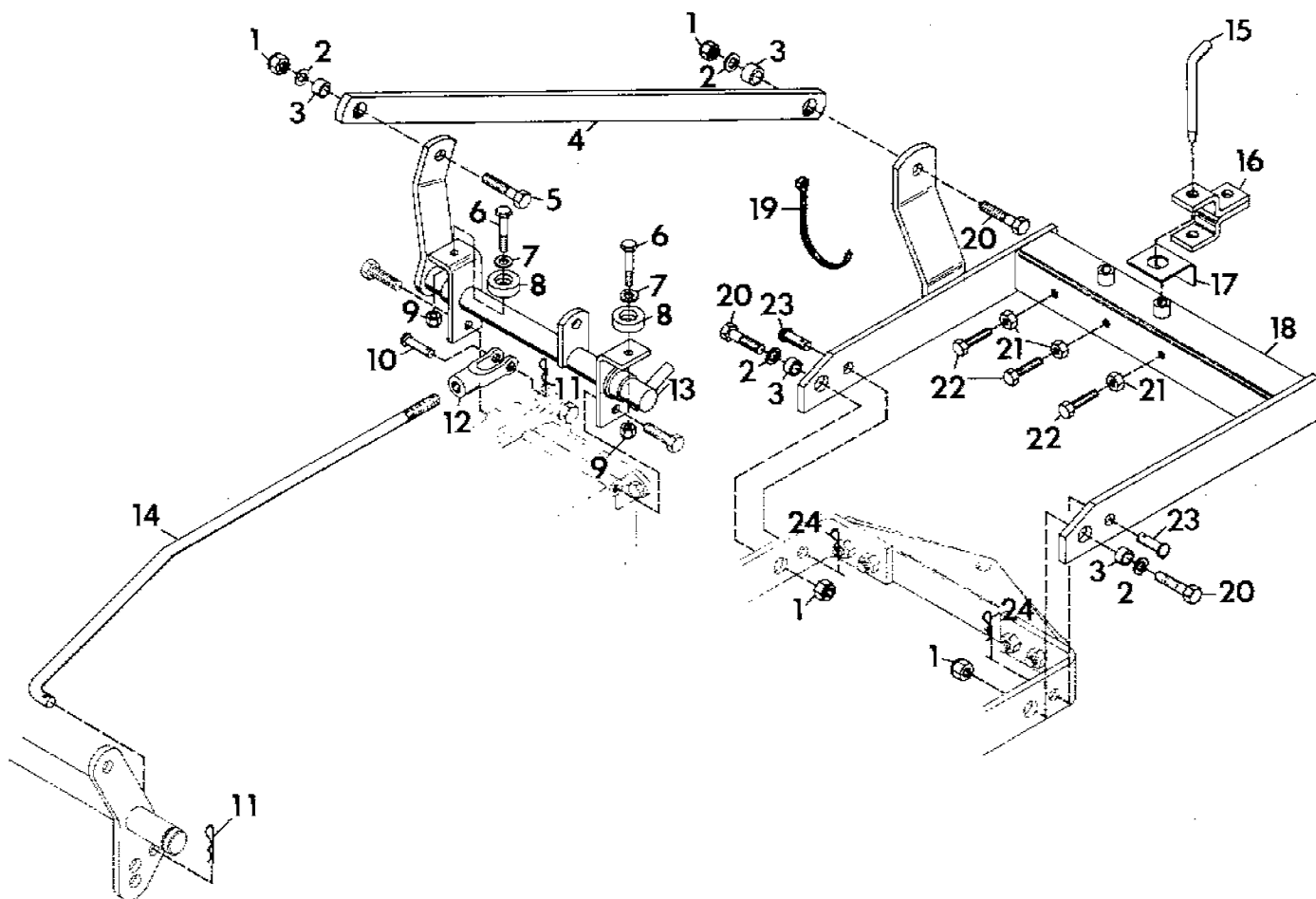




LIFTABLE REAR HITCH



ITEM NO.	PART NO.	QTY.	DESCRIPTION
1	435507	4	Nut, Lock 1/2-13
2	120396	4	Washer, Flat .531x1.062x.095
3	19260	4	Bushing, Pivot Casting
4	24453	1	Strap, Rear Hitch
5	180181	1	Bolt, Hex 1/2-13x2.00
6	180024	2	Bolt, Hex 1/4-20x1.25
7	120386	2	Washer, Flat .312x.734x.065
8	24357	2	Bumper, Seat
9	419454	2	Nut, Lock 1/4-20
10	138086	1	Pin, Clevis .500x1.213
11	15691	2	Pin, Cotter Hair
12	19091	1	Yoke, Adjustable
13	40705	1	Weldment, Lifiable Hitch
14	19092	1	Rod, Lift
15	18864	1	Pin, Hitch
16	18866	1	Hitch, Rear Weldment
17	14949	1	Pad
18	24376	1	Weldment, Rear Hitch
19	10629	2	Tie, Cable
20	180179	3	Bolt, Hex 1/2-13x1.75
21	451519	3	Nut, Jam 3/8-16 Hex Heavy
22	14718	3	Bolt, Hex Special 3/8-16x3.00
23	20499	2	Pin, Clevis 5/8x1.125
24	10405	2	Pin, Hair