

OWNER'S MANUAL

KWIK-WAY VACUUM KIT

MODEL 64-00310
FOR BLOWER MODEL 65-02310

MANUFACTURED BY
K-W MANUFACTURING CO., INC.

800 South Marion Road
Sioux Falls, South Dakota 57106
TELEPHONE (605) 336-6032
WATS (800) 843-3720

Assembly Instructions

1. Attach the discharge hose to the discharge adaptor using a hose clamp.
2. Attach the suction hose to the intake adaptor and the wand using hose clamps.
3. Remove the blower intake front guard and attach the intake adaptor plate.
4. Replace the 5/16—nuts and lockwashers. Tighten securely.
5. Remove the deflector door from the discharge of the blower before attaching discharge hose.
6. Attach the discharge hose and adaptor to the discharge of the blower using (2) #3 clip pins.
7. Mount the Remote Switch Kit. Gravely P/N 46057. Follow the instructions provided with the switch kit. Tractor must be equipped with the PTO interlock switch.

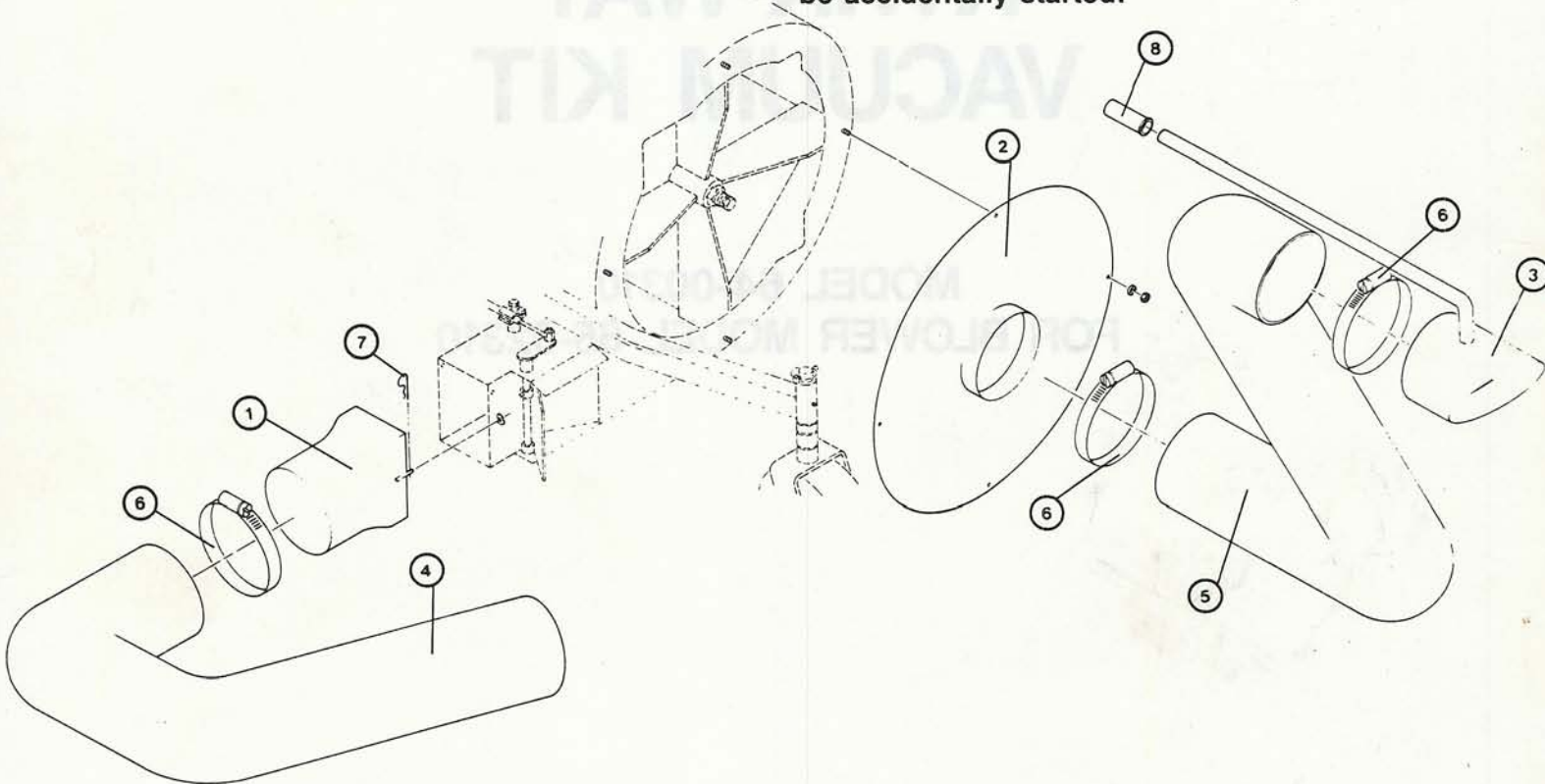
NOTE: Use the Remote Switch Kit Gravely P/N 46057 in conjunction with the Vacuum Kit. This switch kit allows the operator to shut the tractor off when the switch mounted on the top of the blower housing is activated.

See Installation Instructions provided with the Remote Switch Kit. Mount the switch plate to the mounting bracket located on the top of the blower housing.

SEE WARNING INFORMATION AT THE BEGINNING OF THE INSTALLATION INSTRUCTIONS FOR THE REMOTE SWITCH KIT.

8. WHEN THE VACUUM KIT IS REMOVED FROM THE BLOWER, THE BLOWER INTAKE FRONT GUARD MUST BE PUT BACK ONTO THE BLOWER. TIGHTEN SECURELY.

WARNING—Do not install or remove attachments while blower is running. Turn off engine to make change over and make sure the blower can not be accidentally started.



VACUUM ATTACHMENT—GRAVELY BLOWER

REPAIR PARTS

REFERENCE NUMBER	DESCRIPTION	PART NUMBER	NUMBER REQUIRED
1	DISCHARGE ADAPTOR	16200	1
2	INTAKE ADAPTOR	16204	1
3	WAND	16207	1
4	10' HOSE	101895	1
5	16' HOSE	101896	1
6	HOSE CLAMP	101897	3
7	#3 CLIP PIN	100171	2
8	GRIP	101400	1