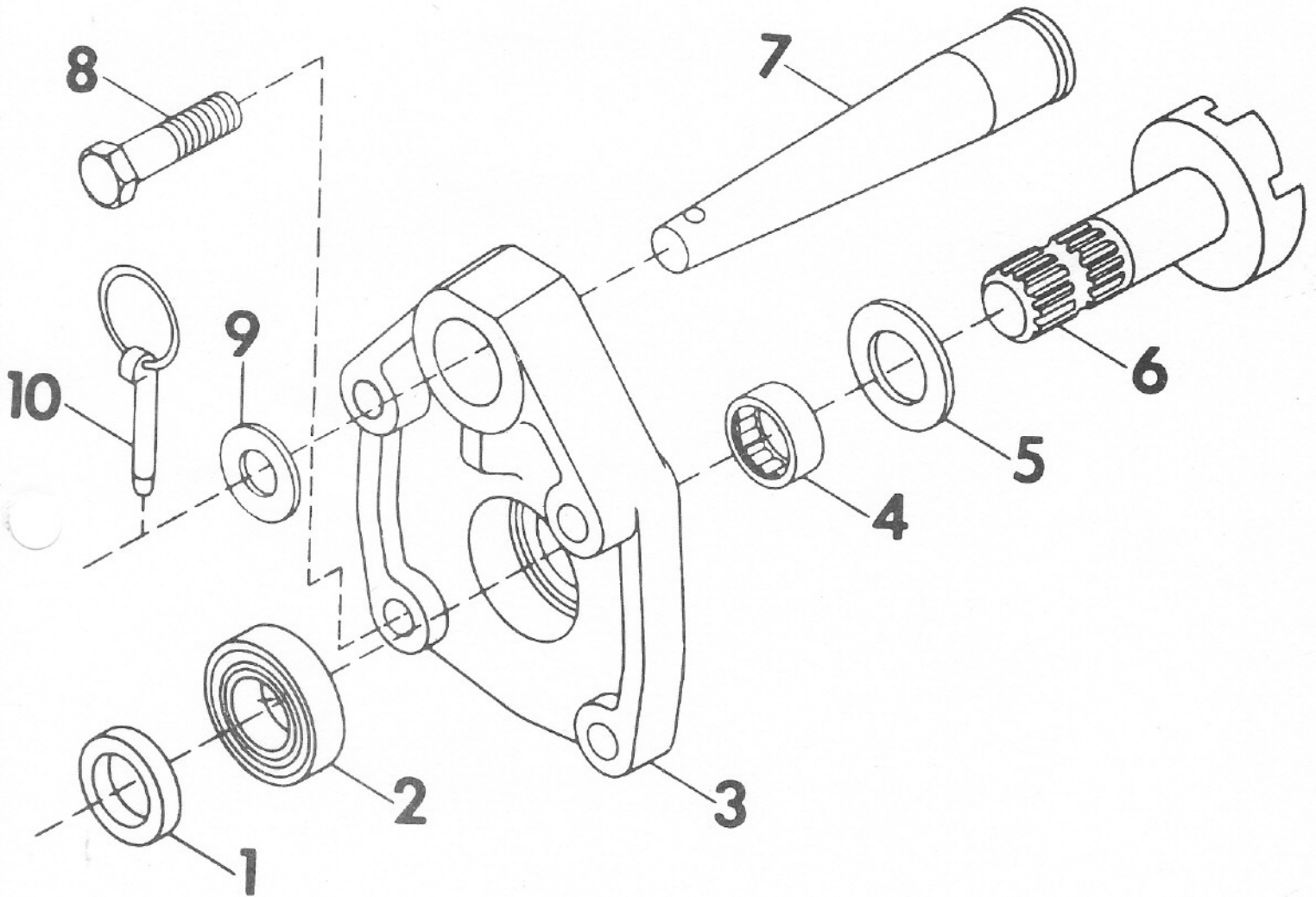


Model Number 11898E1  
 Effective Date 11-15-74  
 Form Number 2C915L1



<u>ITEM NO.</u>	<u>PART NO.</u>	<u>DESCRIPTION</u>
1	11841P1	Ring, Retaining
2	11293P1	Bearing, Ball 1.000 x 2.000 x .562
3	11901P1	Casting, Quick Hitch
4	11227P1	Bearing, Needle 1 x 1-1/4 x 1/2
5	11983P1	Bearing, Thrust 1.012 x 1.750 x .125
6	11872P1	Shaft, PTO Dog Clutch
7	11900P1	Pin, Pivot
8	180181	Bolt, Hex 1/2-13 x 2
9	131016	Washer, Flat 21/32 x 1-5/16 x .095
10	11902P1	Pin, Klik
NS	180188	Bolt, Hex 1/2-13 x 2-3/4