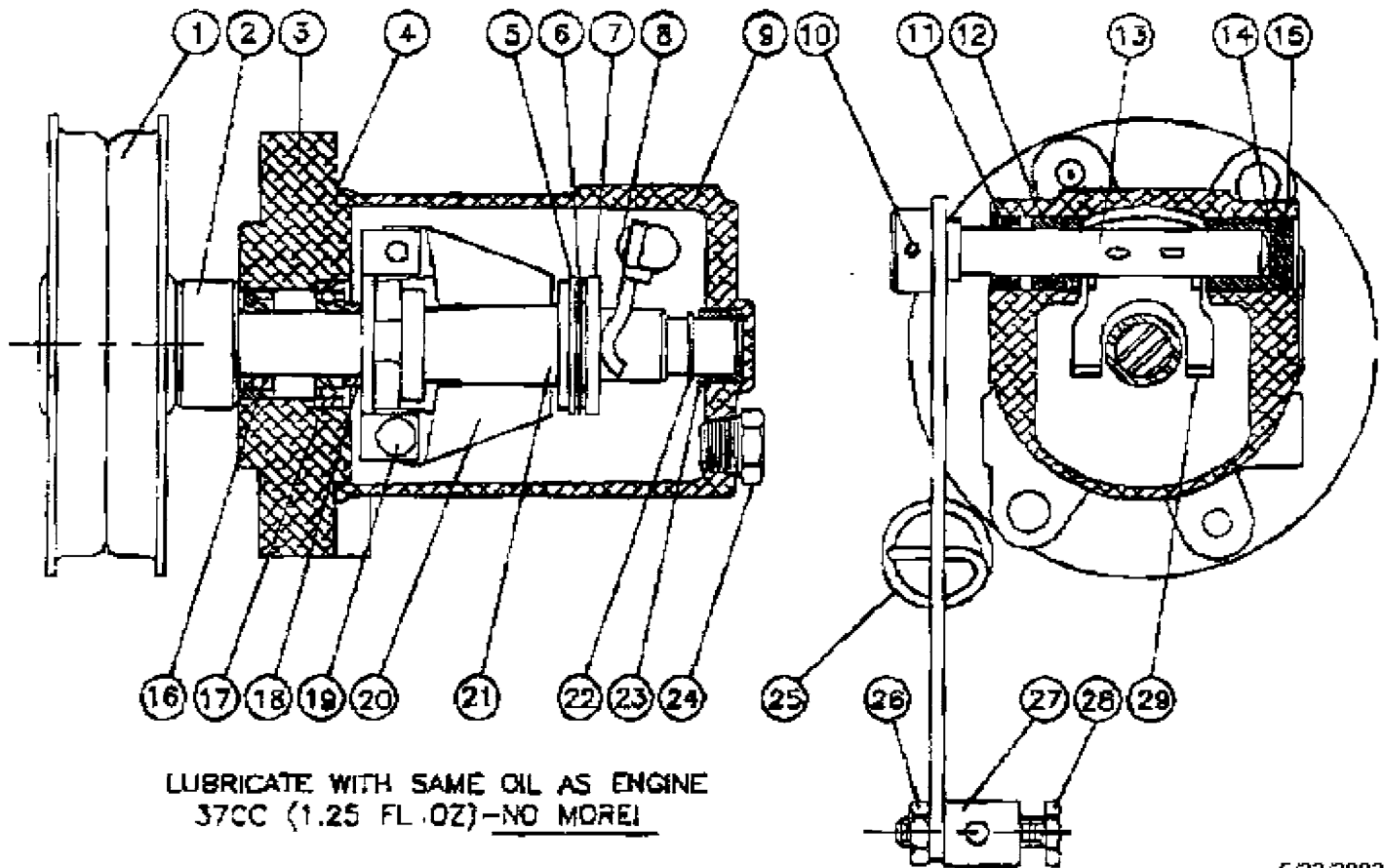


Gravely Tractor Governor Parts



LUBRICATE WITH SAME OIL AS ENGINE
37CC (1.25 FL. OZ) -NO MORE!

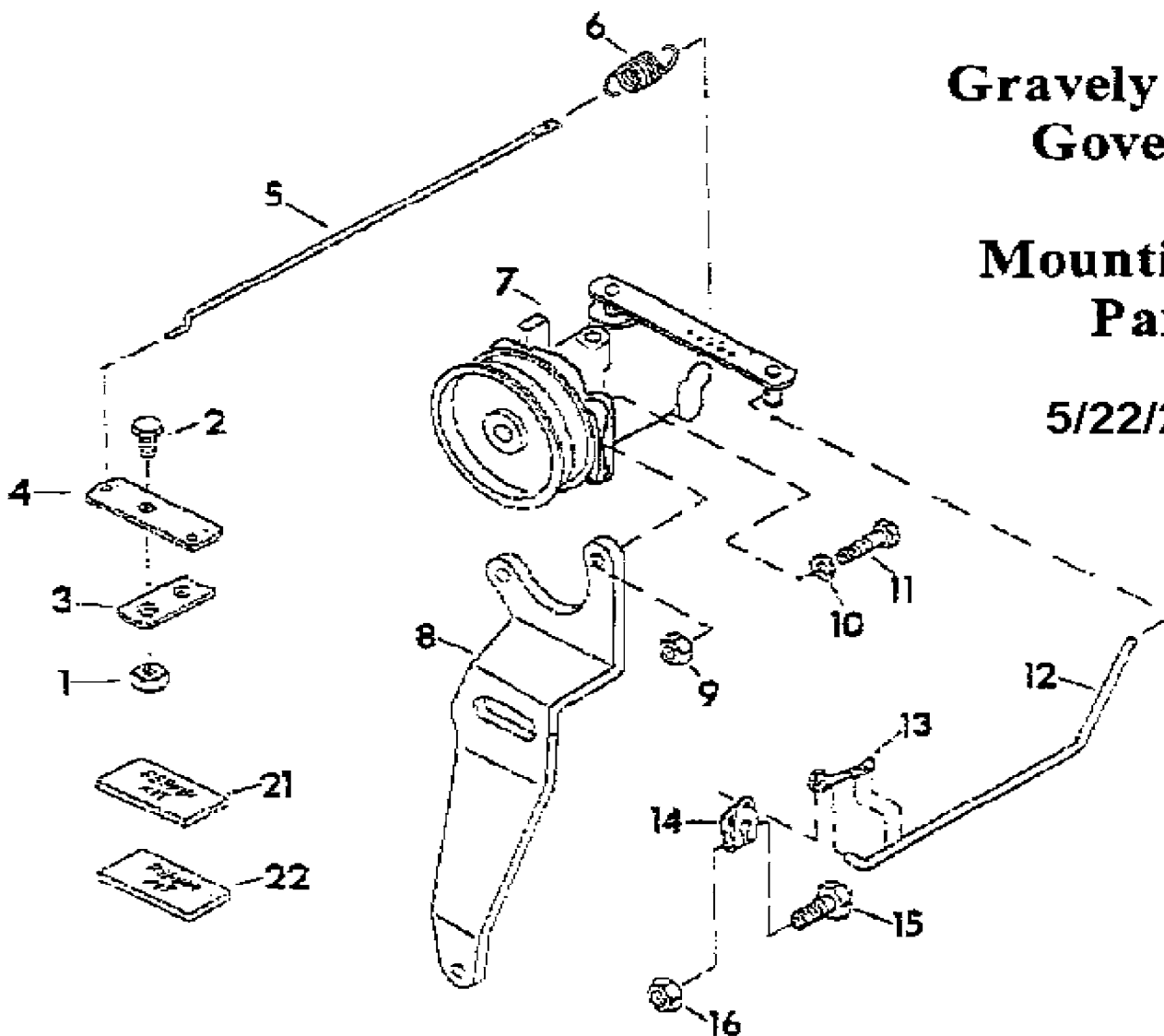
5/22/2003

1.	A6181	PULLEY	1-REQ'D	17.	X1329	BALL BEARING	1-REQ'D
2.	G11898	SPACER	1-REQ'D	18.	G8299	SPACER	1-REQ'D
3.	G912116	GOVERNOR FLANGE	1-REQ'D	19.	G14013	WEIGHT PIN	4-REQ'D
4.	X2284	GASKET	1-REQ'D	20.	G86901	WEIGHT	4-REQ'D
5.	G13416	THRUST WASHER- <i>THIN</i>	1-REQ'D	21.	G10530	THRUST SLEEVE	1-REQ'D
6.	X3228	THRUST BEARING	1-REQ'D	22.	X4223	EXT. RETAINING RING	1-REQ'D
7.	G13417	THRUST WASHER- <i>THICK</i>	1-REQ'D	23.	G3168	BUSHING	1-REQ'D
8.	X1789	ROUND-HD SCREW #6-32	2-REQ'D	24.	01400010	PIPE PLUG 1/8" NPTF	1-REQ'D
9.	G912129	GOVERNOR BODY	1-REQ'D	25.	SN5	GOVERNOR SPRING	1-REQ'D
10.	X2607	ROLL PIN	1-REQ'D	26.	X4013	SELF-LOCK HX-NUT #12-24	1-REQ'D
11.	X3708	OIL SEAL 1/2" O.D.	1-REQ'D	27.	G21606	SWIVEL PIN	1-REQ'D
12.	X2710	BUSHING	1-REQ'D	28.	X4104	HX-HEAD SCREW #12-24	1-REQ'D
13.	G14412	ROCKER SHAFT	1-REQ'D	29.	G9839	YOKE	1-REQ'D
14.	G12250	THRUST DISC	1-REQ'D	30.	X1619	1/4-20 SCREW-NOT SHOWN	2-REQ'D
15.	X2711	BUSHING-CLOSED END	1-REQ'D	31.	X432	1/4" L'WASHER-NOT SHOWN	2-REQ'D
16.	X695	OIL SEAL 3/4" O.D.	1-REQ'D				

Gravely Tractor Governor

Mounting Kit Parts

5/22/2003



1.	X4007	HEX-NUT (LOCKING) 1/4-20	1-REQ'D
2.	3522	HEX-HD SCREW 1/4-20 x 1/2	1-REQ'D
3.	G13506	GOV. CONTROL BRACKET	1-REQ'D
4.	G13507	GOVERNOR CONTROL ARM	1-REQ'D
5.	G11933	THROTTLE ROD LINK	1-REQ'D
6.	SN5	GOVERNOR SPRING	1-REQ'D
7.	GC4405R1	GOVERNOR ASSEMBLY	1-REQ'D
8.	G13505	GOV. MOUNTING BRACKET	1-REQ'D
9.	X2151	HEX-NUT 1/4-20	2-REQ'D
10.	01170139	LOCK WASHER 1/4	2-REQ'D
11.	35282	HEX-HD SCREW 1/4-20 x 1-1/4	2-REQ'D
12.	G11942	THROTTLE ROD	1-REQ'D
13.	C858	ROD CLIP-LEFT-HAND OR:	1-REQ'D
	C877	ROD CLIP-R. H. (SHOWN)	1-REQ'D
14.	C649	CHOKE LEVER (FOR CARB)	1-REQ'D
15.	X8391	HEX-HD SCREW #10-32 x 5/8	1-REQ'D
16.	X2521	HEX-NUT #10-32	1-REQ'D