

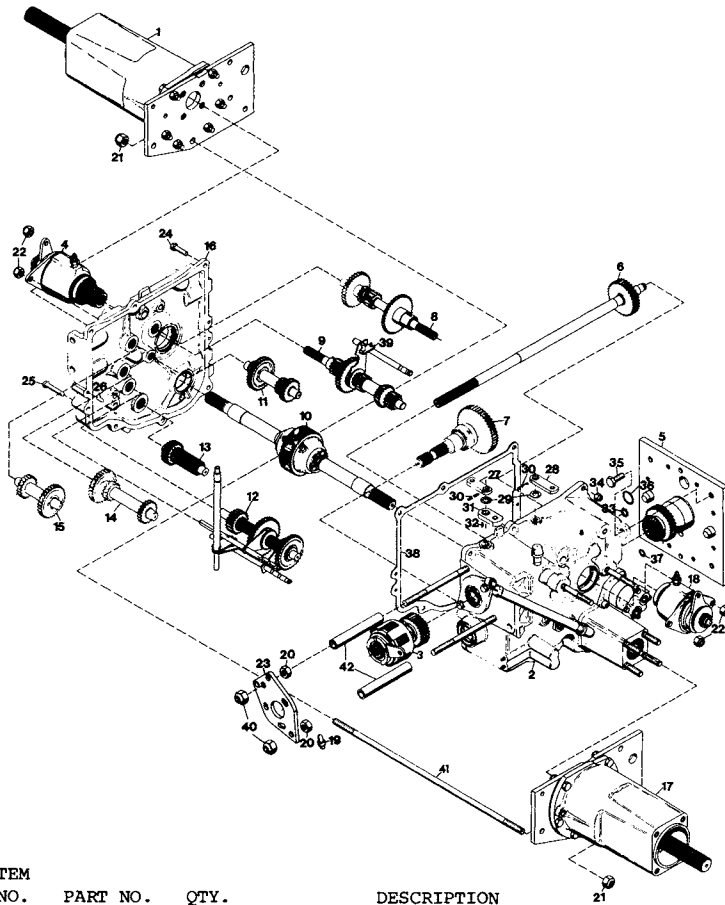
GRAVELLY®

**GMT
900
TRACTOR
ILLUSTRATED
PARTS LIST**

INDEX

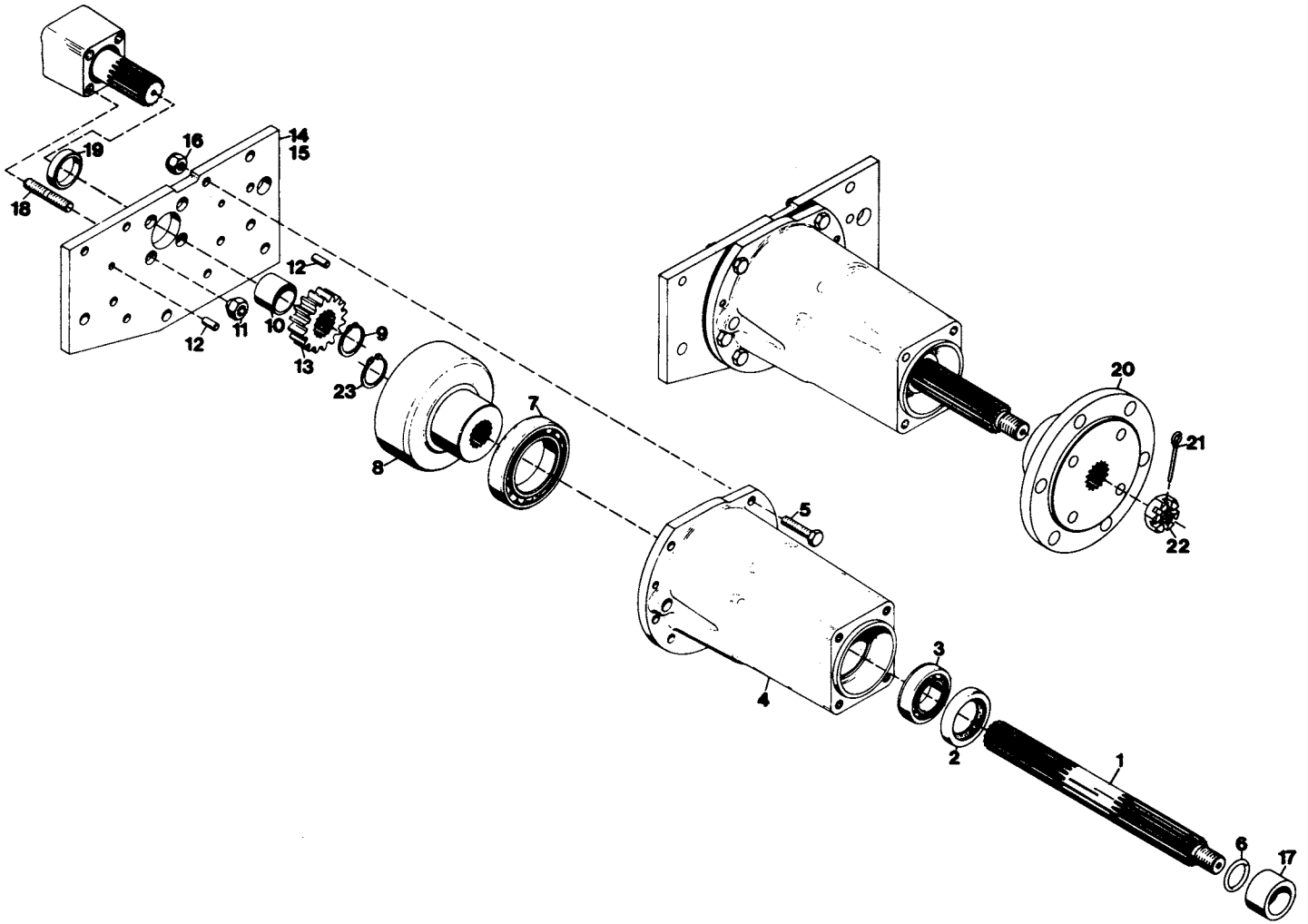
<u>DESCRIPTION</u>	<u>PAGE NO.</u>
Brakes and Controls	18
Cooling, Air Intake, Exhaust and Fuel	14
Differential and Axle (#8 Shaft)	7
Drop Axle Assembly	2
Electrical	20
Forward Clutch (#1 Shaft)	8
Forward/Reverse Wet Clutch Assembly	10
Front and Rear Wheels	19
Front PTO Clutch Assembly	9
Front PTO Shaft	9
Gear and Shaft (#3 Shaft)	6
Gear and Shaft (#4 Shaft)	5
Gear and Shaft (#5 Shaft)	6
Grill, Hood, Frame, Seat Assembly	12
Hydraulic and Steering	16
Pinion, Final Drive Assembly (#7 Shaft)	6
Rear Cover Plate Assembly	3
Reverse Clutch (#2 Shaft)	8
Sliding Gear (#6 Shaft)	5
Transmission Assembly	1
Transmission Case Assembly	11
Transmission Cover Assembly	4
Transmission Input Assembly (#9 Shaft)	7
Wiring Diagram 900 Series	21

TRANSMISSION ASSEMBLY



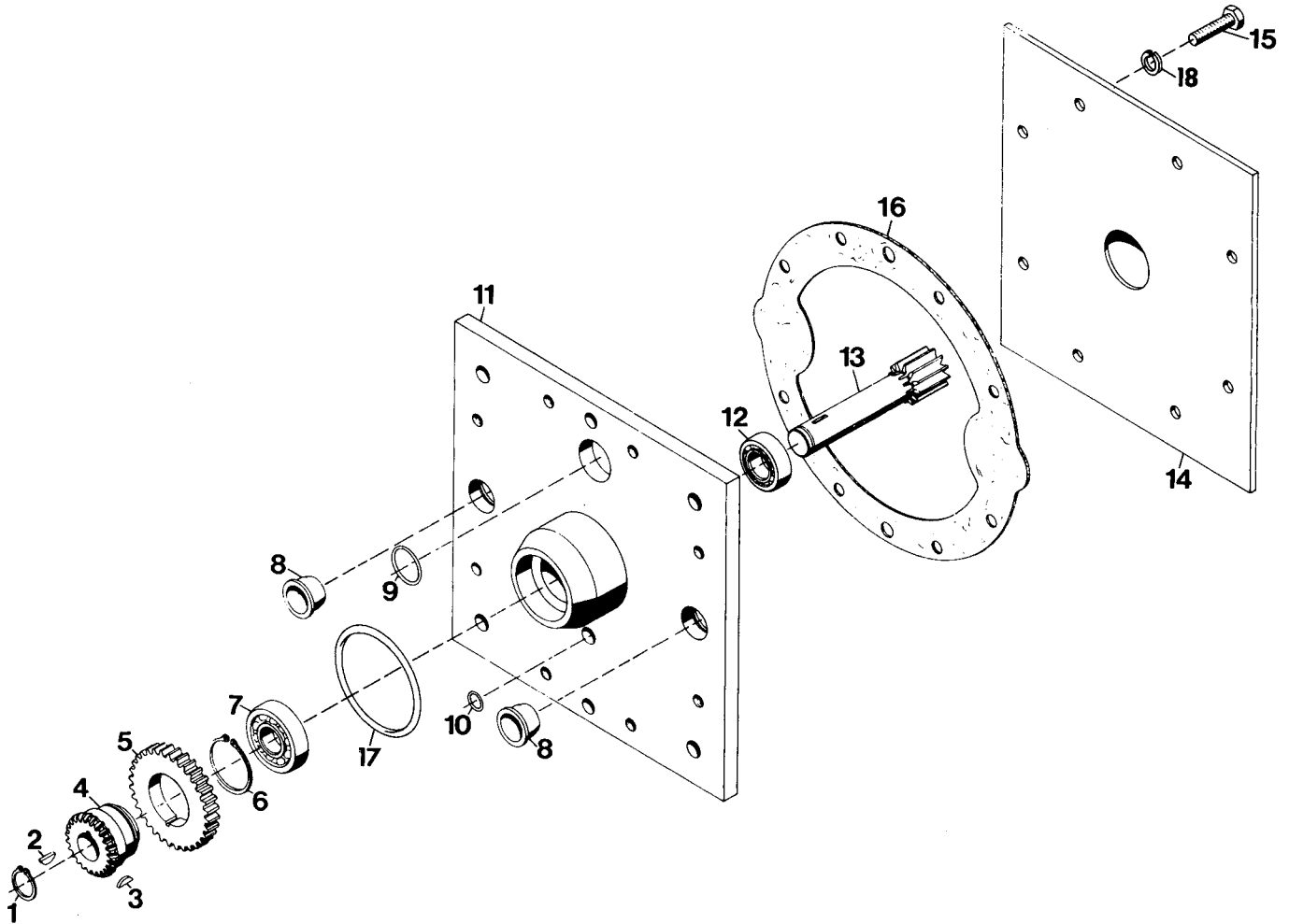
ITEM NO.	PART NO.	QTY.	DESCRIPTION
1	REFER TO:		Drop Axle Assembly (RH)
2	REFER TO:		Transmission Case Assembly
3	REFER TO:		Front PTO Clutch Assembly
4	REFER TO:		Forward Wet Clutch Assembly
5	REFER TO:		Rear Cover Plate Assembly
6	REFER TO:		Number 9 Shaft; Input Shaft
7	REFER TO:		Front PTO Shaft
8	REFER TO:		Number 2 Shaft, Reverse Clutch
9	REFER TO:		Number 1 Shaft, Forward Clutch
10	REFER TO:		Number 8 Shaft, Differential and Axle Assembly
11	REFER TO:		Number 3 Shaft, 3rd and 4th Gear
12	REFER TO:		Number 6 Shaft, Sliding Gear
13	REFER TO:		Number 7 Shaft, Pinion and Final Drive
14	REFER TO:		Number 5 Shaft, 1st and 2nd Gear
15	REFER TO:		Number 4 Shaft, Idler
16	REFER TO:		Transmission Cover Assembly
17	REFER TO:		Drop Axle Assembly (LH)
18	REFER TO:		Reverse Wet Clutch Assembly
19	23370	3	Roller, Clutch
20	124934	2	Nut, Jam; 1/2-20
21	435507	2	Nut, Lock; 1/2-13 Washer Insert
22	190171	2	Nut, Lock; 1/2-20 Washer Insert
23	21621	1	Plate, PTO Clutch
24	180125	6	Bolt, Hex; 3/8-16 x 1-3/8
25	180132	2	Bolt, Hex; 3/8-16 x 2-1/4
26	18089	2	Pin, Dowel; .375 x .625
27	17945	1	Arm, Shifter
28	17929	1	Arm, Shifter
29	21141	2	Washer, Felt; (Special for Transmission)
30	421202	2	Pin, Spring; 3/16 x 1
31	17944	1	Arm, Shifter
32	271089	1	Key, Woodruff; .125 x .375 Hard
33	20289	1	Ring, Retaining; .669 Shaft
34	456004	6	Nut, Lock; 3/8-16 Washer Insert Hex
35	180173	4	Bolt, Hex; 1/2-13 x 1
36	22438	1	O-Ring; .549 x .755 x .103
37	23273	1	O-Ring; 2.375 x 2.125 x .125
38	18027	1	Gasket, Trans Cover
39	17926	1	Weldment, Shifter
40	415993	2	Nut, Lock; 1/2-20 Type CL Hex
41	21615	1	Rod, Strut
42	23538	2	Tube, Front: P.T.O.

DROP AXLE ASSEMBLY



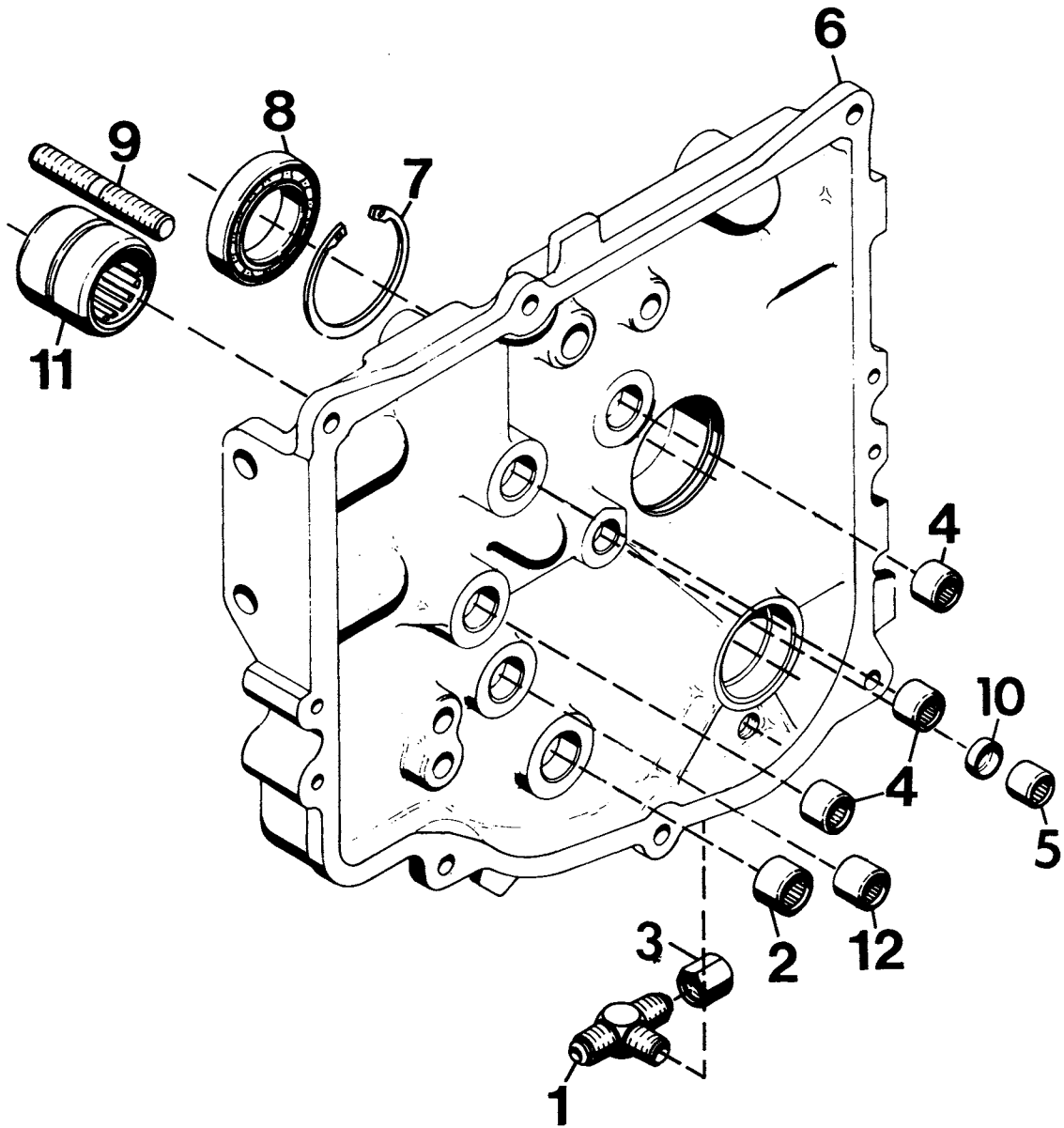
ITEM NO.	PART NO.	QTY.	DESCRIPTION
1	23484	1	Axle, Drop
2	23482	1	Seal, Oil; 2.000 x 2.835 x .375
3	17984	1	Bearing, Ball; 1.378 x 2.834 x .669
4	21610	1	Housing, Drop Axle
5	180128	6	Bolt, Hex; 3/8-16 x 1-3/4
6	23481	1	O-Ring; 1.359 x 1.637 x .139
7	21611	1	Bearing, Ball; 2.362 x 4.331 x .866
8	21612	1	Internal Gear, Drop Axle 32T
9	21608	2	Ring, Retaining; 1.250 Shaft Heavy
10	21606	1	Spacer, Axle Shaft
11	11058	4	Nut (Rim)
12	3184	2	Pin, Dowel; 3/8 x 3/4
13	21607	1	Gear, Drop Axle Pinion
14	21604	1	Plate, Axle Housing (R. H.)
15	21605	1	Plate, Axle Housing (L. H.)
16	456004	6	Nut, Lock; 3/8-16 Washer Insert Hex
17	23480	1	Spacer, Drop Axle; 1.378 x 2.003 x 1.310
18	11187	4	Stud, Axle
19	21907	1	Bushing, Drop Axle Pilot
20	23483	1	Hub, Wheel
21	137228	1	Pin, Cotter; .156 x 1.500
22	273196	1	Nut, Slotted; 1.0-12
23	21582	1	Ring, Retaining; 1.375 Shaft Heavy

REAR COVER PLATE ASSEMBLY



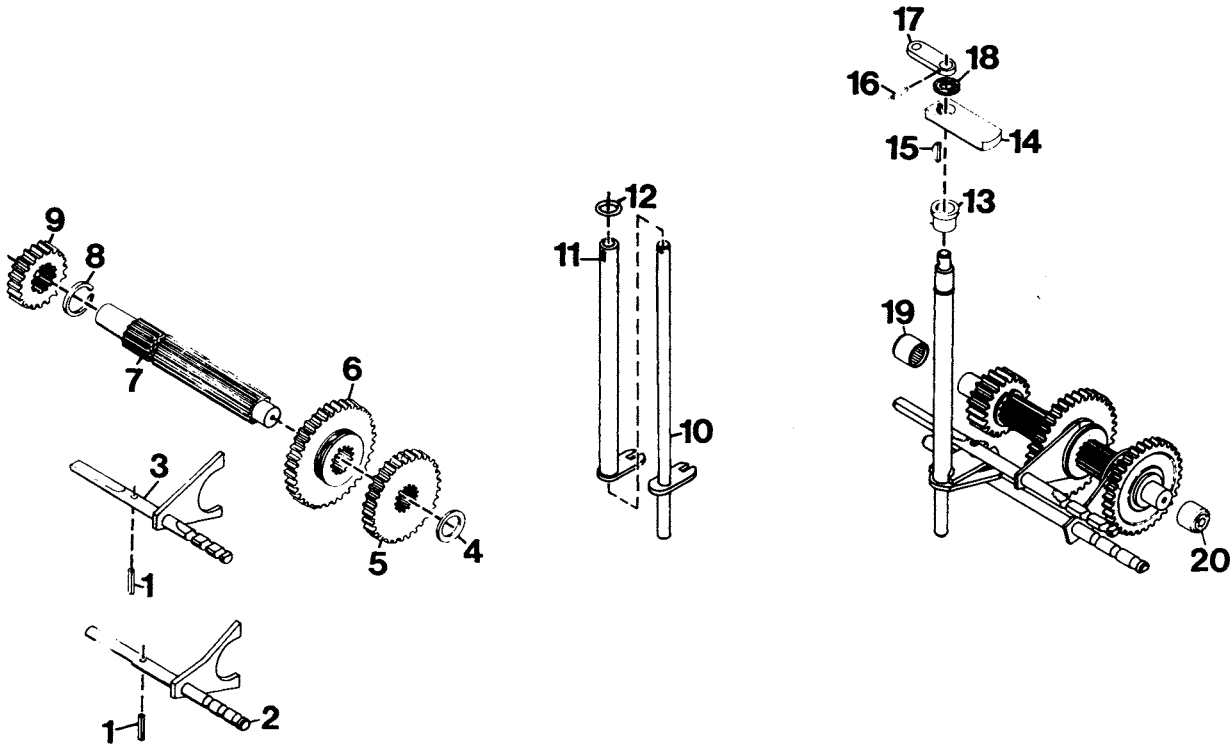
<u>ITEM NO.</u>	<u>PART NO.</u>	<u>QTY.</u>	<u>DESCRIPTION</u>
1	21557	1	Ring, Retaining; .984 Shaft
2	431787	1	Key, Woodruff; .188 x .625 Hard
3	103909	1	Key, Woodruff; .250 x 1.125 Soft
4	21554	1	Gear, Bevel
5	21555	1	Gear, 10 DP 32 Teeth .600 Standard
6	21556	1	Ring, Retaining; 2.000 Shaft
7	12984	1	Bearing, Ball; .984 x 2.449 x .669
8	22553	2	Plug, Rear Trans. Plate
9	23273	1	O-Ring; 2.375 x 2.125 x .125
10	22438	1	O-Ring; .549 x .755 x .103
11	21548	1	Adaptor Plate Weldment
12	21929	1	Bearing, Ball; .984 x 2.0472 x .590
13	21552	1	Shaft, Sun Gear
14	21576	1	Weldment, Cover Plate
15	180075	8	Bolt, Hex; 5/16-18 x 5/8
16	22398	1	Gasket, Trans Rear Cover Plate
17	18346	1	O-Ring; 3.000 x 3.188 x .094
18	120214	8	Washer, Lock; 5/16 SP

TRANSMISSION COVER ASSEMBLY



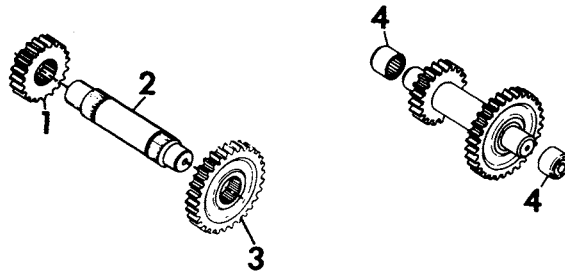
ITEM NO.	PART NO.	QTY.	DESCRIPTION
1	22430	1	Adapter, Tee
2	17912	1	Bearing, Needle; 1.000 x 1.250 x .750
3	22431	1	Nut, Cap
4	22446	3	Bearing, Roller; .750 x 1.000 x .750
5	23265	1	Bearing, Roller; .625 x .812 x .625
6	21559	1	Cover, Transmission
7	18872	1	Ring, Retaining; 3.156 Bore
8	17915	1	Bearing, Ball; 1.968 x 3.149 x .629
9	11187	4	Stud, Axle
10	23266	1	Plug, Bearing Cap
11	21603	1	Bearing, Roller; 1.501 x 2.062 x 1.250
12	23499	1	Bearing, Needle

NO. 6 SHAFT, SLIDING GEAR



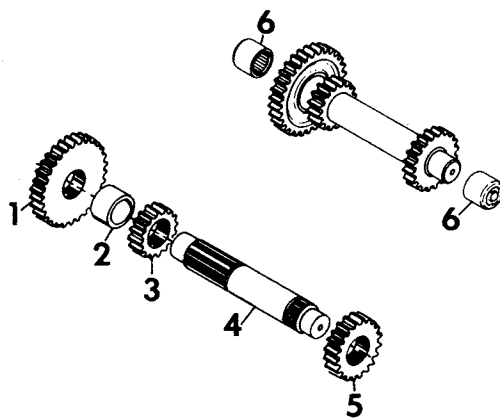
ITEM NO.	PART NO.	QTY.	DESCRIPTION
1	456390	2	Pin, Spring; 1/4 x 3/4
2	20762	1	Weldment, Rail Shift Fork 2+4 Range
3	20761	1	Weldment, Rail Shift Fork 1+3 Range
4	14998	2	Race, Bearing Thrust; .752 x 1.240 x .095
5	23495	1	Gear, Sliding GMT
6	23494	1	Gear, Sliding GMT
7	23493	1	Shaft, Sliding Gear #6
8	21608	1	Ring, Retaining; 1.250 Shaft Heavy
9	23496	1	Gear, 8 DP 32 Teeth .850
10	17937	1	Weldment, 2nd and 4th Shifter
11	17940	1	Weldment, 1st and 3rd Shifter
12	18018	1	O-Ring; 5/8 x 3/4 x 1/16
13	17943	1	Bushing, .756 x 1.125 x .75
14	17944	1	Arm, Shifter
15	271089	1	Key, Woodruff; .125 x .375 Hard
16	421202	1	Pin, Spring; 3/16 x 1
17	17945	1	Arm, Shifter
18	21141	1	Washer, Felt; (Special for Transmission)
19	23499	1	Bearing, Needle
20	22446	1	Bearing, Roller; .750 x 1.000 x .750

ASSEMBLY, GEAR AND SHAFT NO. 4 GMT



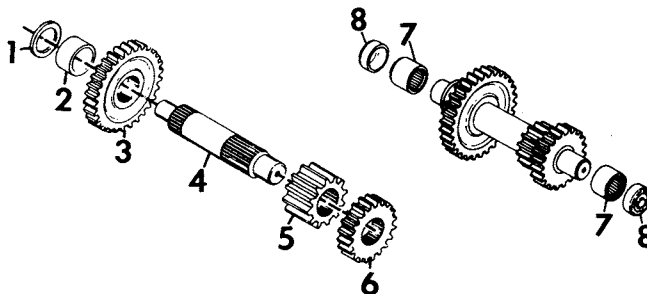
ITEM NO.	PART NO.	QTY.	DESCRIPTION
1	15118	1	Gear, 10 DP 20 Teeth x .600
2	23489	1	Shaft, Splined No. 4 GMT
3	23512	1	Gear, 8 DP 24 Teeth x .500
4	22446	2	Bearing, Roller; .750 x 1.000 x .750

ASSEMBLY, GEAR AND SHAFT NO. 5 GMT



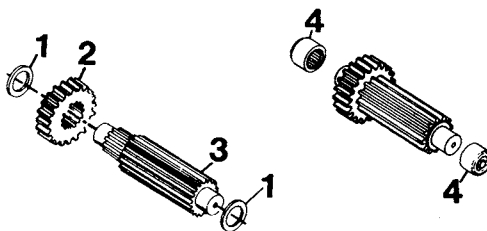
ITEM NO.	PART NO.	QTY.	DESCRIPTION
1	15115	1	Gear, 10 DP 30 Teeth x .500
2	17993	1	Spacer, 1.057 x 1.250 x .550
3	23510	1	Gear, 8 DP 13 Teeth x .750
4	23487	1	Shaft, Splined No. 5 GMT
5	23511	1	Gear, 8 DP 16 Teeth x .600
6	22446	2	Bearing, Roller; .750 x 1.000 x .750

ASSEMBLY, GEAR AND SHAFT NO. 3 GMT



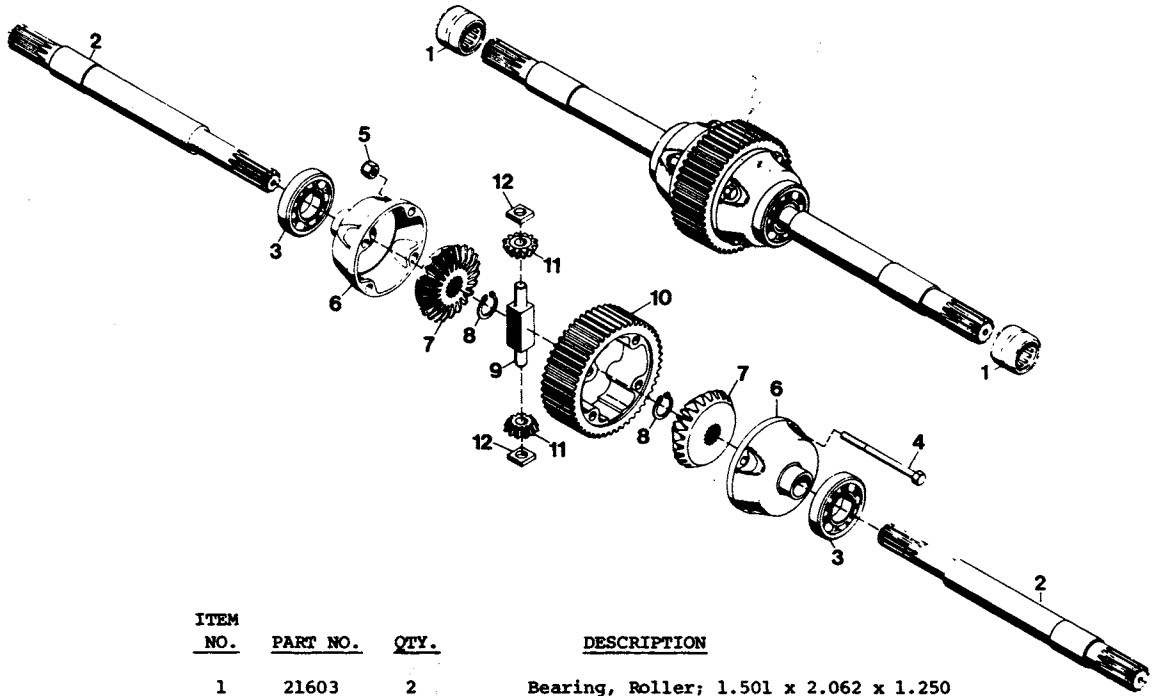
ITEM NO.	PART NO.	QTY.	DESCRIPTION
1	18000	1	Bearing, Thrust Race
2	17999	1	Spacer, 1.027 x 1.125 x .457
3	19535	1	Gear
4	23488	1	Shaft, Splined No. 3 GMT
5	23510	1	Gear, 8 DP 13 Teeth x .750
6	23511	1	Gear, 8 DP 16 Teeth x .600
7	23265	1	Bearing, Roller; .625 x .812 x .625
8	23266	1	Plug, Bearing Cap

PINION, FINAL DRIVE ASSEMBLY NO. 7



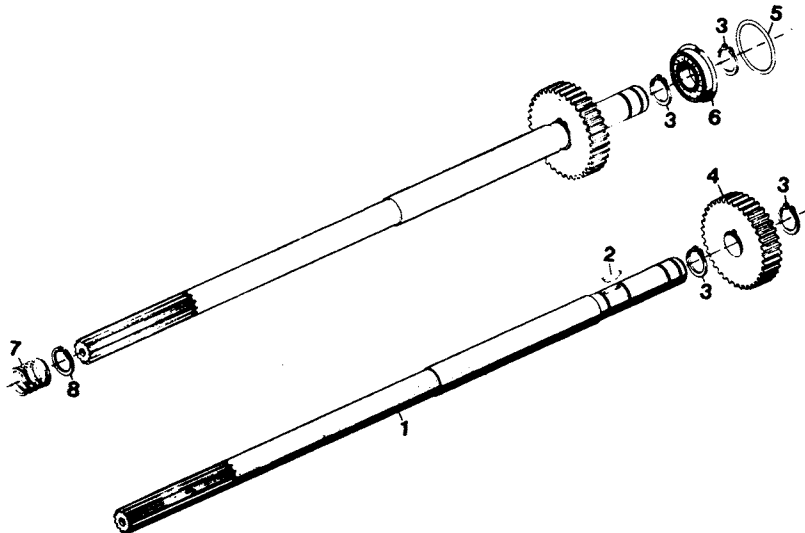
ITEM NO.	PART NO.	QTY.	DESCRIPTION
1	19340	2	Race, Bearing Thrust; 1.002 x 1.552 x .030
2	21538	1	Gear, 8 DP 23 Teeth .750
3	23486	1	Final Drive Pinion GMT
4	17912	2	Bearing, Needle; 1.000 x 1.250 x .750

DIFFERENTIAL AND AXLE ASSEMBLY NO. 8



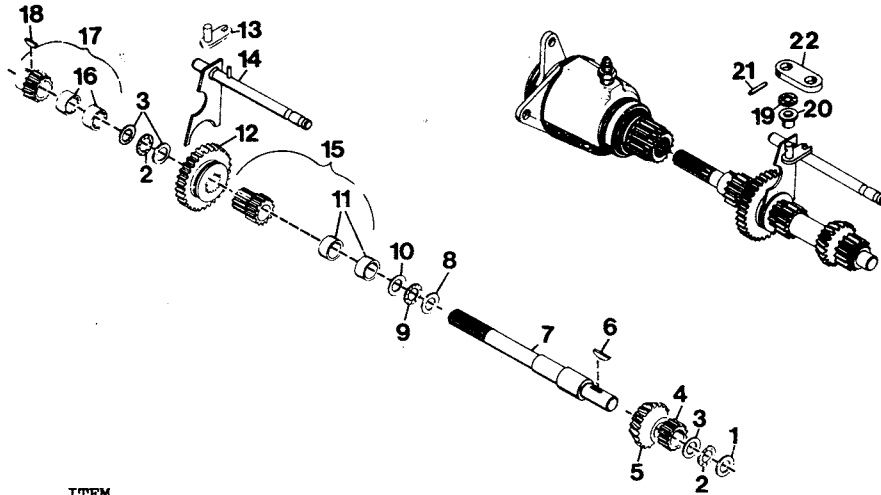
ITEM NO.	PART NO.	QTY.	DESCRIPTION
1	21603	2	Bearing, Roller; 1.501 x 2.062 x 1.250
2	23154	2	Axle, Bevel Gear (GMT)
3	17984	2	Bearing, Ball; 1.378 x 2.834 x .669
4	20513	4	Bolt, Hex; 5/16-18 x 2.5 Grade-8
5	20514	4	Nut, Hex; 5/16-18 Grade-8
6	19956	2	Cap, Differential End
7	19953	2	Gear, Bevel
8	17980	2	Ring, Retaining; 1.000 Shaft
9	19954	1	Pin, Spider Pinion
10	23531	1	Gear, Final Drive
11	19952	2	Pinion, Bevel
12	21536	2	Block, Drive

SHAFT, TRANSMISSION INPUT ASSEMBLY NO. 9



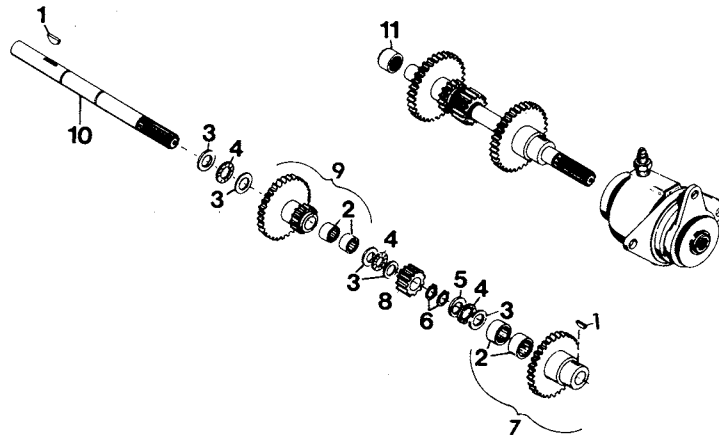
ITEM NO.	PART NO.	QTY.	DESCRIPTION
1	21521	1	Shaft, Transmission Input
2	124549	1	Key, Woodruff; .187 x .750 Hard
3	21557	4	Ring, Retaining; .984 Shaft
4	21520	1	Gear, Transmission Input
5	22438	1	O-Ring; .549 x .755 x .103
6	23272	1	Bearing, Ball
7	20444	1	Spring, Comp Type; 1.0 x .80 x 36 lb/in
8	23527	1	Ring, Retaining

NUMBER 1 SHAFT, FORWARD CLUTCH



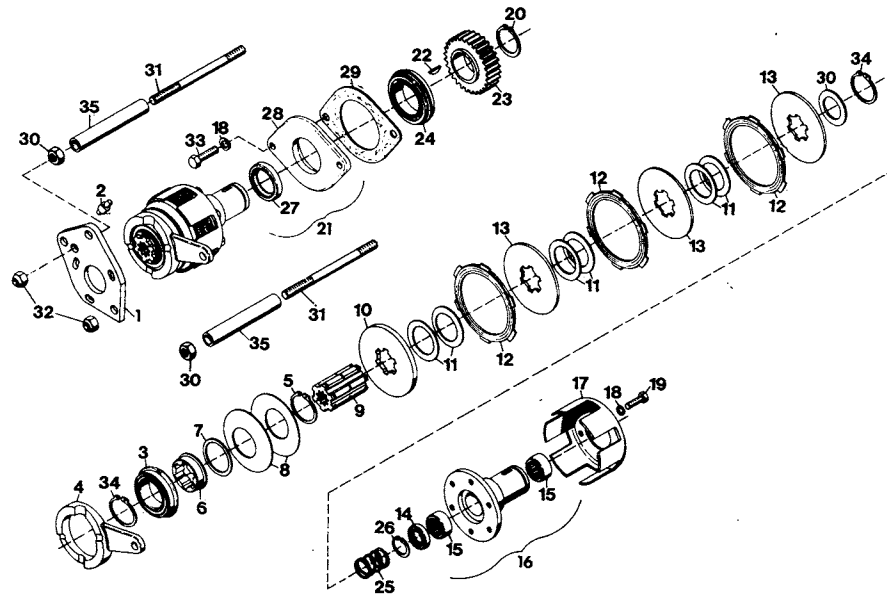
ITEM NO.	PART NO.	QTY.	DESCRIPTION
1	14998	1	Race, Bearing Thrust; .752 x 1.240 x .095
2	6741	2	Bearing, Needle Thrust; .752 x 1.240 x .078
3	11223	3	Race, Bearing Thrust; .752 x 1.240 x .030
4	18003	1	Gear, 10 DP, 16 Teeth x .750 Standard
5	18006	1	Gear, Bevel
6	117989	1	Key, Woodruff; 3/16 x 1-1/4 Hard No. 19
7	21540	1	Shaft, Fwd. Clutch
8	21542	1	Race, Bearing Thrust; .877 x 1.427 x .060
9	21543	1	Bearing, Needle Thrust; .875 x 1.427 x .07
10	21541	1	Race, Bearing Thrust; .877 x 1.427 x .030
11	21546	2	Bearing, Needle; .875 x 1.125 x .500
12	22508	1	Gear, Two Speed
13	17926	1	Weldment, Shifter
14	20755	1	Shift Rail Weldment
15	21544	1	Gear and Bearing Assembly
16	17949	2	Bearing, Needle; 3/4 x 1 x 1/2
17	21560	1	Gear & Bearing Assembly
18	431787	1	Key, Woodruff; .188 x .625 Hard
19	21141	1	Washer, Felt; (Special for Transmission)
20	17925	1	Bushing, 2-Speed
21	421202	1	Pin, Spring; 3/16 x 1
22	17929	1	Arm, Shifter

NUMBER 2 SHAFT, REVERSE CLUTCH



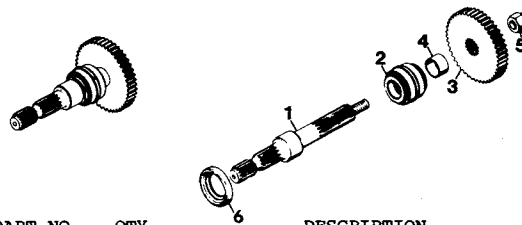
ITEM NO.	PART NO.	QTY.	DESCRIPTION
1	431787	1	Key, Woodruff; .188 x .625 Hard
2	17949	2	Bearing, Needle; 3/4 x 1 x 1/2
3	11223	1	Race, Bearing Thrust; .752 x 1.240 x .030
4	6741	1	Bearing, Needle Thrust; .752 x 1.240 x .078
5	6742	1	Race, Bearing Thrust; .060
6	11135	2	Ring, Retaining; .750 Shaft
7	17947	1	Assembly, Reverse Gear and Bearing
8	18003	1	Gear, 10 DP 16 Teeth x .750 Standard
9	18020	1	Gear, Idler Assembly
10	20448	1	Shaft, Splined Reverse Clutch
11	22446	1	Bearing, Roller; .750 x 1.000 x .750

FRONT P.T.O. CLUTCH ASSEMBLY



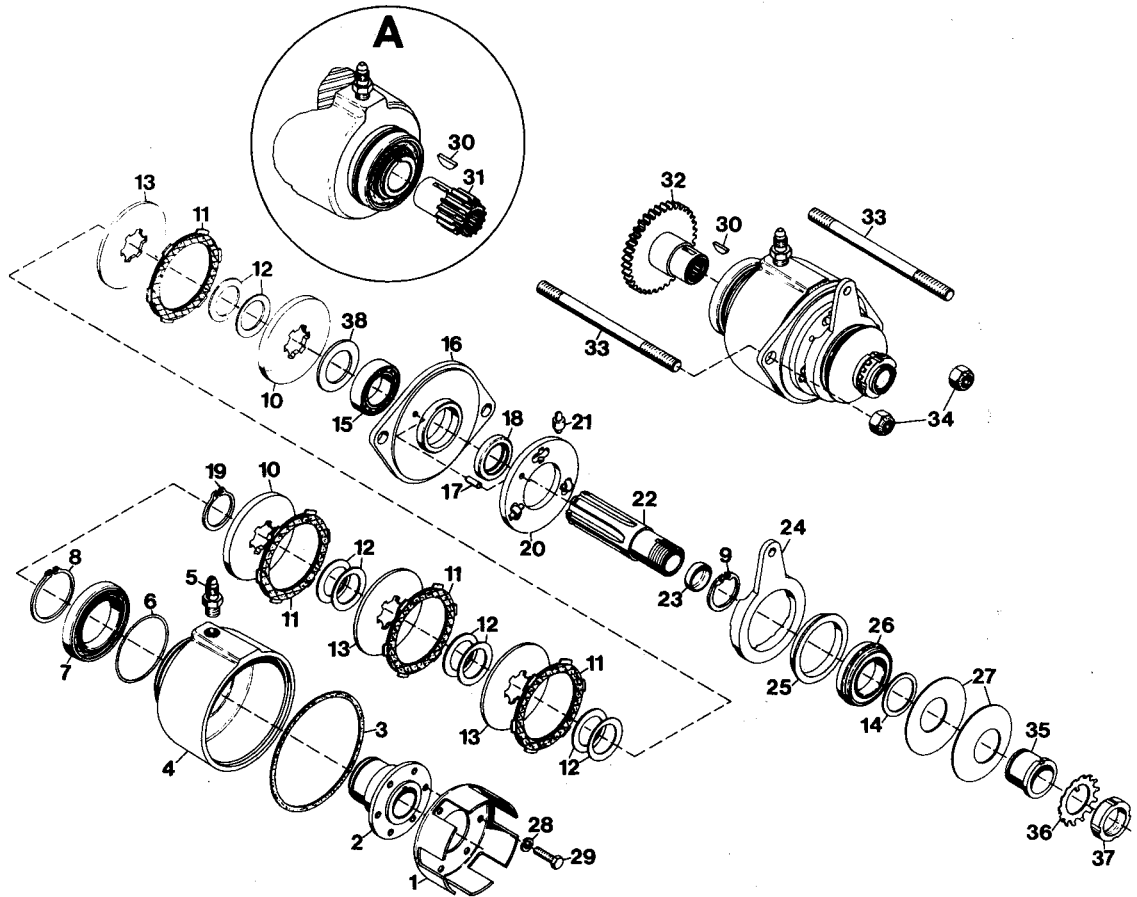
ITEM NO.	PART NO.	QTY.	DESCRIPTION
1	21621	1	Plate, PTO Clutch
2	23370	3	Roller, Clutch
3	18042	1	Bearing, Ball; 1.574 x 3.149 x .708
4	19063	1	Cam, Clutch
5	21582	1	Ring, Retaining; 1.375 Shaft Heavy
6	23522	1	Adapter, PTO Clutch Cam
7	21586	1	Shim (.030)
8	21587	2	Spring, Belleville
9	23521	1	Hub, PTO Clutch Disc
10	21594	1	Clutch Pressure Plate
11	21597	6	Separator Spring (Belleville)
12	23518	3	Friction Disk
13	23520	3	Disc, Clutch
14	15137	1	Seal, Oil; .750 x 1.254 x .188
15	17949	2	Bearing, Needle; 3/4 x 1 x 1/2
16	21524	1	Clutch Hub Asm.
17	21517	1	Cup, Driven
18	120214	6	Washer, Lock; 5/16 SP
19	180073	6	Bolt, Hex; 5/16-18 x 1/2
20	18043	1	Ring, Retaining; 1.562 Shaft
21	21526	1	PTO Clutch Assembly
22	124549	1	Key, Woodruff; .187 x .750 Hard
23	21529	1	Gear, Spur PTO; 10 DP 29 Teeth 1.125 Standard
24	20474	1	Bearing, Ball; 1.5748 x 3.1496 x .7087
25	20444	1	Spring, Comp Type; 1.0 x .80 x 36 Lb/in
26	23527	1	Ring, Retaining
27	20294	1	Seal, Oil; 1.750 x 2.250 x .312
28	21527	1	Cap, Front PTO
29	21528	1	Gasket, Front PTO Cap
30	124934	2	Nut, Jam; 1/2-20
31	18036	2	Stud, Clutch
32	415993	2	Nut, Lock; 1/2-20 Type CL Hex
33	180075	2	Bolt, Hex; 5/16-18 x 5/8
34	23523	2	Retaining, Ring
35	23538	2	Tube, Front; PTO

FRONT P.T.O. SHAFT



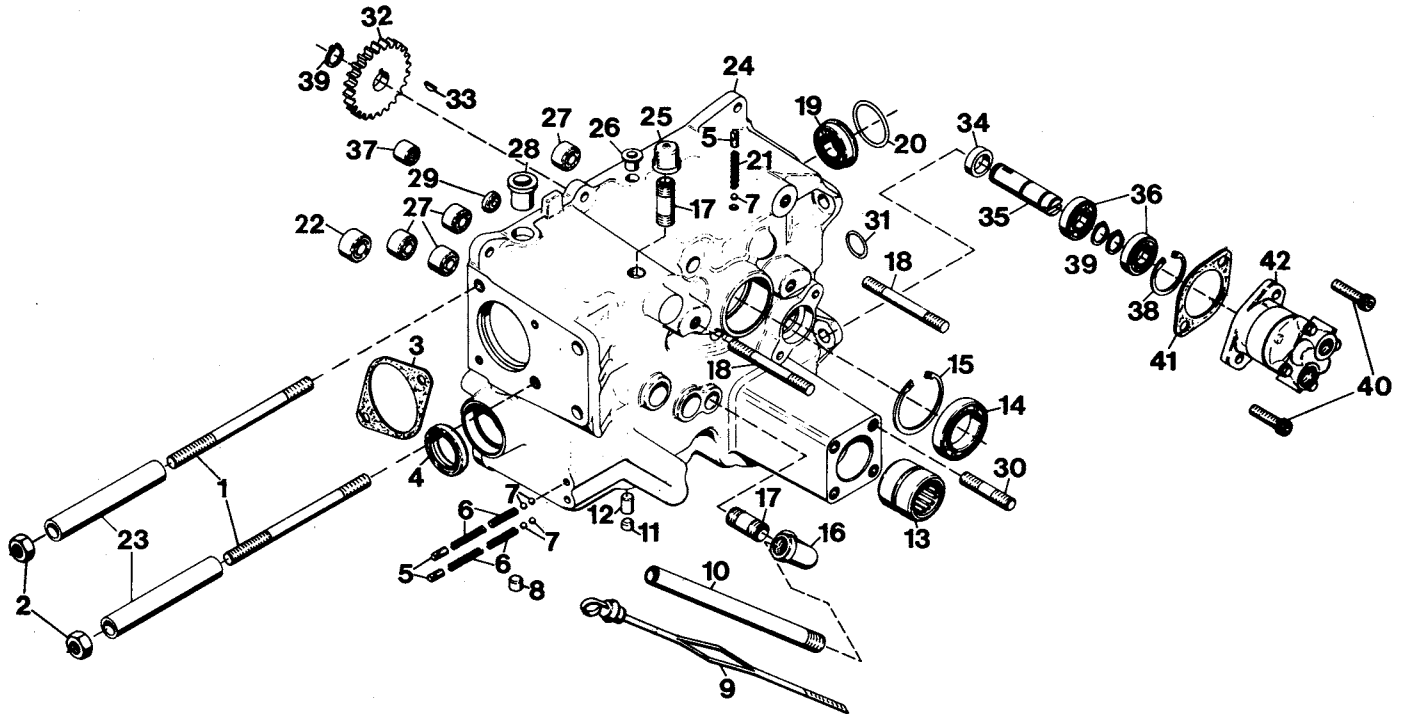
ITEM NO.	PART NO.	QTY.	DESCRIPTION
1	19538	1	Shaft, PTO
2	14640	1	Assembly, Bearing; 1.000 x 1.980 x 1.243
3	21513	1	Gear, Spur PTO; 10 DP 49 Teeth x .750 Standard
4	17924	1	Spacer; 1.060 x 1.250 x .450
5	124589	1	Nut, Hex; 5/8-11
6	17923	1	Seal, Oil; 1.375 x 2.129 x .312

FORWARD-REVERSE WET CLUTCH ASSEMBLY

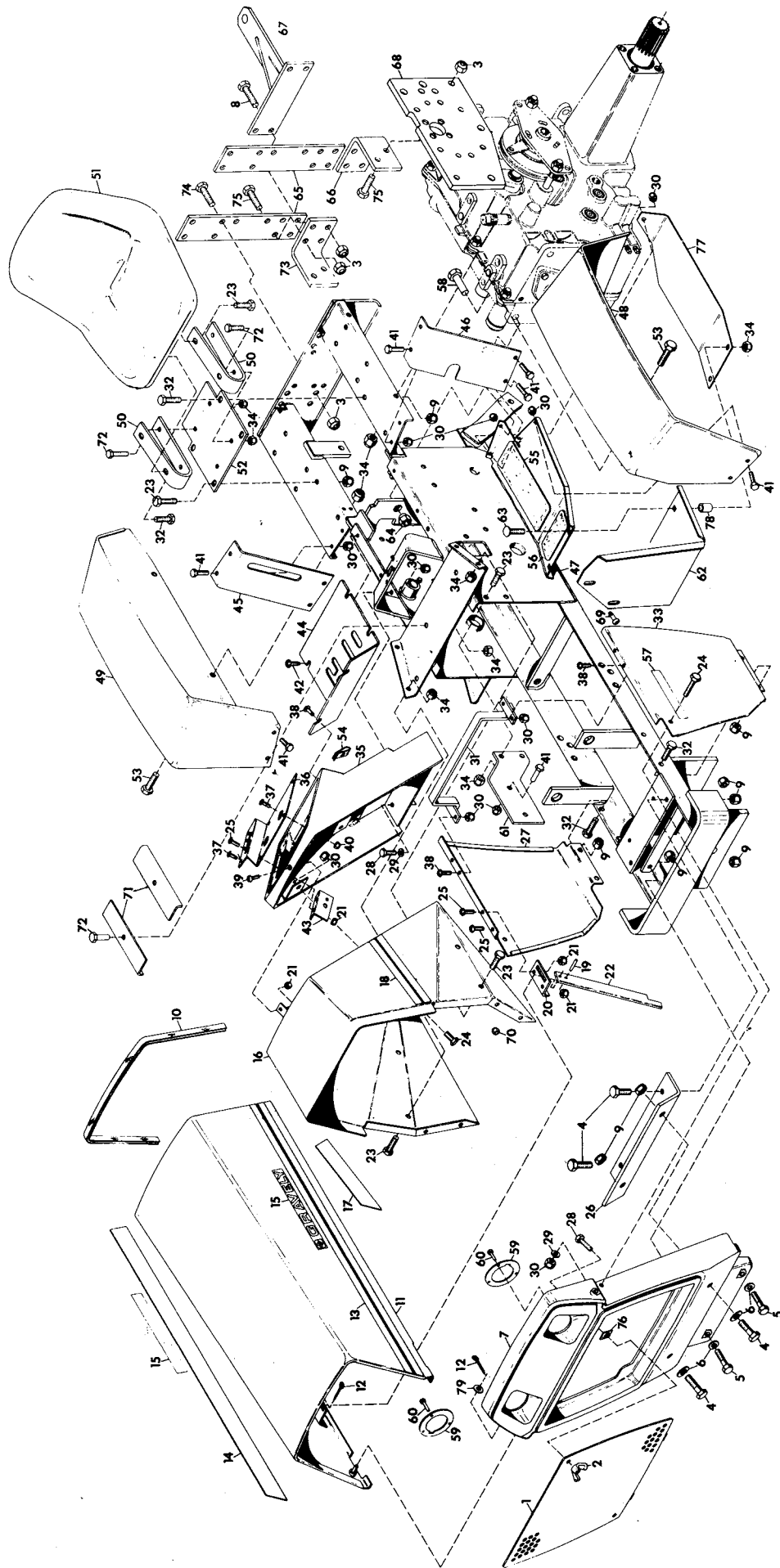


ITEM NO.	PART NO.	QTY.	DESCRIPTION
1	21517	1	Cup, Driven
2	21516	1	Hub, Fwd-Rev Wet Clutch
3	21600	1	Gasket, Clutch Cover
4	21518	1	Housing, Fwd-Rev Wet Clutch
5	21807	2	Adapter, P/H 0103-6-6
6	21574	1	"O" Ring
7	17915	1	Bearing, Ball; 1.968 x 3.149 x .629
8	17919	1	Ring, Retaining; 1.969 Shaft
9	21588	1	Ring, Retaining; 1.375 Shaft Inverted
10	21594	2	Clutch, Pressure Plate
11	21595	4	Clutch, Friction Disc
12	21597	8	Separator, Spring (Belleville)
13	21596	3	Disc, Clutch
14	21586	1	Shim, .030
15	21584	1	Bearing, Ball; 1.378 x 2.441 x .551
16	21591	1	Cover, Clutch Housing
17	273709	1	Pin, Spring; .250 x .625
18	21592	1	Seal, Oil; 1.375 x 2.004 x .313
19	21582	1	Ring, Retaining; 1.375 Shaft Heavy
20	21593	1	Clutch Plate, Fwd-Rev
21	23370	3	Roller, Clutch
22	21581	1	Hub, Wet Clutch Disc
23	421750	1	Cup, Plug Plain
24	22123	1	Cam, Clutch
25	21585	1	Adapter, Clutch Cam
26	21584	1	Bearing, Ball; 1.378 x 2.441 x .551
27	21587	2	Spring, Belleville
28	120214	6	Washer, Lock; 5/16 SP
29	180073	6	Bolt, Hex; 5/16-18 x 1/2
30	431787	1	Key, Woodruff; .188 x .625 Hard
31	21544	1	Gear and Bearing Assembly
32	17947	1	Assembly, Reverse Gear and Bearing
33	18036	2	Stud, Clutch
34	190171	2	Nut, Lock; 1/2-20 Washer Insert
35	22448	1	Bushing, Fwd-Rev Clutch Adjustment
36	22451	1	Lockwasher, 13 Tangs
37	22452	1	Locknut, Bearing Adjustment
38	23535	1	Race, Thrust Torr. TRA-2233

TRANSMISSION CASE ASSEMBLY



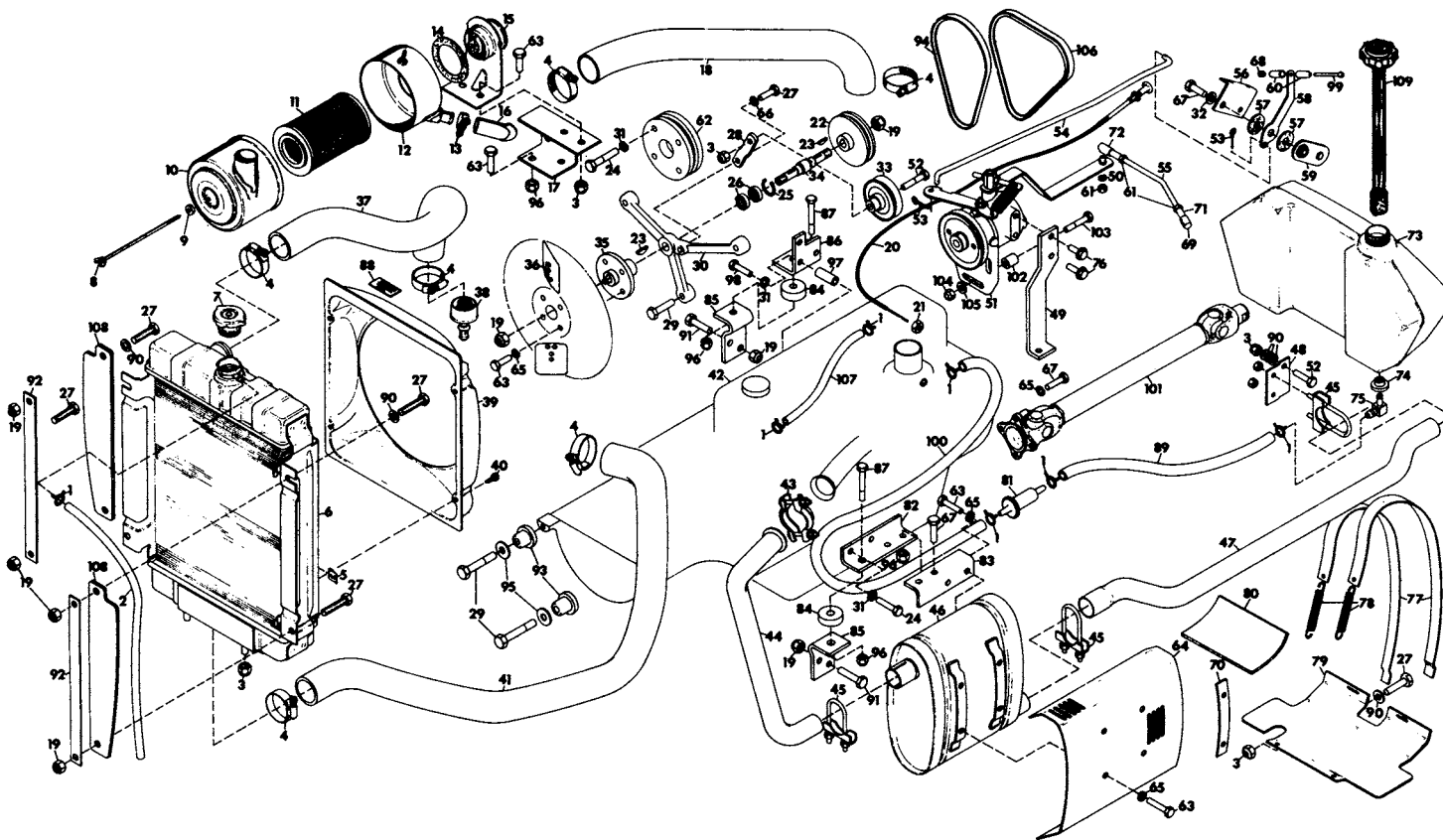
ITEM NO.	PART NO.	QTY.	DESCRIPTION
1	21908	2	Stud, Front PTO Clutch
2	120371	2	Nut, Hex; 1/2-20
3	21528	1	Gasket, Front PTO Cap
4	17923	1	Seal, Oil; 1.375 x 2.129 x .312
5	103877	3	Plug, Pipe; 1/2 in. Sq Hd Steel
6	17936	4	Spring, Comp; 1.50 x .30 x 26 Lb/in
7	274301	5	Ball, Steel; 5/16
8	17946	1	Plug
9	21575	1	Dipstick Assembly
10	21601	1	Tube, Dipstick
11	421743	1	Plug, Cup; 3/8
12	18200	1	Pin, Interlock
13	21603	1	Bearing, Roller; 1.501 x 2.062 x 1.250
14	17915	1	Bearing, Ball; 1.968 x 3.149 x .629
15	18872	1	Ring, Retaining; 3.156 Bore
16	119098	1	Elbow, Pipe; 1/2-90 Deg.
17	121664	1	Nipple, Pipe; 1/2 x 2-1/2
18	18036	2	Stud, Clutch
19	23272	1	Bearing, Ball
20	23273	1	O-Ring; 2.375 x 2.125 x .125
21	18015	1	Spring, Comp; 1.25 x .30 x 16 Lb/in
22	17912	1	Bearing, Needle; 1.000 x 1.250 x .750
23	23538	2	Tube, Front P.T.O.
24	21510	1	Case, Transmission
25	19472	1	Cap, Pipe; 1/2 NPT
26	17925	1	Bushing, 2-Speed
27	22446	4	Bearing, Roller; .750 x 1.000 x .750
28	17943	1	Bushing; .756 x 1.125 x .75
29	23266	1	Plug, Bearing Cap
30	11187	4	Stud, Axle
31	22438	1	O-Ring; .549 x .755 x .103
32	23374	1	Gear, Hydraulic Pump
33	271089	1	Key, Woodruff; .125 x .375 Hard
34	23373	1	Spacer, Hydraulic MTD
35	21512	1	Shaft, Hydraulic Pump
36	23372	1	Bearing, Ball
37	23265	1	Bearing, Roller; .625 x .812 x .625
38	18799	1	Ring, Retaining; 1.378 Bore
39	20289	1	Ring, Retaining; .669 Shaft
40	426370	2	Screw, Cap; 3/8-16 Hex Socket HD
41	18422	1	Gasket, Cover Plate
42	21563	1	Pump, Hydraulic



GRILL, HOOD, FRAME, SEAT ASSEMBLY

<u>ITEM NO.</u>	<u>PART NO.</u>	<u>QTY.</u>	<u>DESCRIPTION</u>
1	23526	1	Weldment, Asm. GMT Grill Screen
2	126177	2	Nut, Wing; 1/4-20
3	435507	20	Nut, Lock; 1/2-13 Washer Insert
4	180124	2	Bolt, Hex; 3/8-16 x 1-1/4
5	180126	2	Bolt, Hex; 3/8-16 x 1-1/2
6	120394	4	Washer, Flat; .406 x .812 x .065
7	21861	1	Casting, Front Grille
8	180183	4	Bolt, Hex; 1/2-13 x 2-1/4
9	456004	14	Nut, Lock; 3/8-16 Washer Insert Hex
10	23156	1	Strip, Cowl
11	21887	1	Weldment, Hood
12	121222	1	Pin, Cotter; .09 x .75
13	21988	1	Decal, GMT Hood (L. H.)
14	21989	1	Decal, GMT Hood (R. H.)
15	23025	2	Decal, Gravely
16	21997	1	Weldment, Instrument Panel Cowl
17	21991	1	Decal, GMT Cowl (R. H.)
18	21990	1	Decal, GMT Cowl (L. H.)
19	455160	1	Pin, Spring; .188 x .500
20	21893	1	Bracket, Hood Support
21	190254	3	Nut, Lock; 10-24 Washer Insert
22	21892	1	Support, Hood
23	180075	4	Bolt, Hex; 5/16-18 x 5/8
24	180020	8	Bolt, Hex; 1/4-20 x 3/4
25	159920	2	Screw, Machine; 10-24 x 1/2 Pan HD C-Recess
26	22407	1	Bracket, Grille, Support
27	21862	1	Cover, R. H. Side
28	180020	4	Bolt, Hex; 1/4-20 x 3/4
29	422845	4	Washer, Flat; .281 x .625 x .065
30	419454	20	Nut, Lock; 1/4-20 Washer Insert Hex
31	21884	1	Weldment, Side Panel Support
32	180122	8	Bolt, Hex; 3/8-16 x 1
33	21863	1	Cover, L. H. Side
34	419455	20	Nut, Lock; 5/16-18 Washer Insert Hex
35	21841	1	Instrument Panel Asm.
36	21847	1	Plate, Instrument Panel
37	159658	6	Screw, Machine; 8-32 x 3/4 Pan HD C-Recess
38	160536	6	Screw, Machine; 1/4-20 x 5/8 Pan HD
39	120621	1	Screw, Machine; 10-24 x 1 FLT HD
40	454748	6	Nut, Lock; 8-32 Washer Insert
41	180018	16	Bolt, Hex; 1/4-20 x .625
42	167257	6	Screw, Tap; 1/4-20 x 1/2 Pan HD C-Recess
43	21851	1	Bracket, Throttle Mounting
44	21868	1	Plate, Control Cover
45	21839	1	Insert, Rear Fender (R. H.)
46	21840	1	Insert, Rear Fender (L. H.)
47	21623	1	Weldment, Main Frame
48	21836	1	Weldment, L. H. Fender
49	21832	1	Weldment, R. H. Fender
50	21894	2	Plate, Seat Mounting
51	21984	1	Suspension Seat Asm. w/Seat Belt Brackets (see page 20)
52	120393	4	Washer, Flat; .344 x .688 x .065
53	180081	4	Bolt, Hex; 5/16-18 x 1.25
54	11676	2	Nut, Speed; 1/4-20
55	15295	1	Cover, Small Footboard
56	11653	2	Cover, Large Footboard
57	23024	2	Decal, GMT 9000
58	181700	4	Bolt, Hex; 1/2-20 x 1-1/2
59	21865	2	Plate, Sealbeam Mounting
60	23260	6	Screw, Self-Tapping; 6-20 x .75
61	21711	1	Bracket, Voltage Regulator
62	22004	1	Plate, GMT Muffler Shield
63	126373	2	Bolt; 5/16-18 x 1-1/2 RD HD SQ NK
64	11058	4	Nut, (Rim)
65	21701	2	Plate, Rear Frame
66	21705	1	Bracket, Rear Frame (L. H.)
67	21707	1	Weldment, Rear Hitch
68	21605	1	Plate, Axle Housing (L. H.)
69	133624	2	Screw, Machine; 10-32 x 3/8 Fill HD
70	120611	2	Nut, Machine; 10-32 SQ
71	22171	2	Bracket, Battery Mounting
72	180079	4	Bolt, Hex; 5/16-18 x 1
73	21704	1	Bracket, Rear Frame (R. H.)
74	180177	8	Bolt, Hex; 1/2-13 x 1-1/2
75	180179	4	Bolt, Hex; 1/2-13 x 1-3/4
76	21076	2	Bushing; .391 x .622 x .670
77	23502	1	Shield, GMT Heat
78	23534	2	Clip, Tinnerman
79	120392	2	Washer, Flat; .281 x .625 x .065

COOLING, AIR INTAKE, EXHAUST AND FUEL



ITEM NO.	PART NO.	QTY.	DESCRIPTION
1	7216	7	Clamp, Fuel Hose
2	23202	1	Hose, Overflow
3	456004	7	Nut, Lock; 3/8-16 Washer Insert Hex
4	21245	6	Clamp, 2.25 Dia. Hose
5	11676	4	Nut, Speed; 1/4-20
6	21696	1	Radiator Assembly
7	21697	1	Cap, Radiator
8	21330	1	Bolt, Special Air Cleaner
9	10905	1	Washer, Sealing
10	21331	1	Housing, Upper
11	21333	1	Filter, Element
12	21332	1	Housing, Lower
13	21334	1	Clamp, Air Cleaner
14	21336	1	Gasket, Air Cleaner
15	21337	1	Bracket, Air Cleaner
16	21335	1	Unloader, Dust
17	21859	1	Bracket, Magnetic Switch
18	21867	1	Hose, Air Cleaner
19	435507	10	Nut, Lock; 1/2-13 Washer Insert
20	8225	1	Choke Control
21	416107	1	Nut, Lock; 3/8-16 Type CL Hex
22	21689	1	Sheave, Radiator Fan
23	124543	2	Key, Woodruff; 1/8 x 1/2 Hard No. 3
24	21913	6	Bolt, Hex; M8 x 1.25 25 mm 11500817
25	21688	1	Ring, Retaining; 1.562 Bore
26	21687	2	Bearing, Ball; .669 x 1.574 x .472
27	180122	7	Bolt, Hex; 3/8-16 x 1
28	21693	1	Arm, Idler Pulley
29	21911	4	Bolt, Hex; M10 x 1.5 60mm 11500833
30	21685	1	Casting, Fan Mounting
31	21909	8	Washer, Lock; 8mm Med. Spring 11500206
32	21856	1	Spring, Throttle Assy.

COOLING, AIR INTAKE, EXHAUST AND FUEL

ITEM NO.	PART NO.	QTY.	DESCRIPTION
33	21694	1	Idler Pulley
34	21686	1	Shaft, Radiator Fan
35	21690	1	Hub, Radiator Fan
36	21695	1	Fan, Radiator (Supplied With Engine)
37	21698	1	Hose, Radiator (Inlet)
38	22368	1	Thermostat
39	23201	1	Shroud, Fan
40	23203	4	Screw, Sheetmetal
41	21699	1	Hose, Radiator (Outlet)
42	22008	1	Engine Assembly with Rear PTO
43	21895	1	Clamp, Exhaust Pipe
44	21816	1	Pipe, Exhaust
45	21819	3	Clamp, Muffler U-Bolt
46	21815	1	Muffler
47	21817	1	Tailpipe
48	21818	1	Bracket, Tailpipe
49	21877	1	Bracket, Governor Mounting
50	120217	1	Washer, Lock; No. 10 SP
51	21876	1	Governor Assembly
52	180126	2	Bolt, Hex; 3/8-16 x 1-1/2
53	423302	2	Pin, Cotter; .078 x .627
54	21996	1	Rod, Throttle
55	21882	1	Rod, Throttle
56	21851	1	Bracket, Throttle Mounting
57	21857	2	Disk, Throttle Friction
58	21852	1	Arm, Throttle
59	21853	1	Throttle Back Plate Weldment
60	21986	2	Knob, Throttle
61	453284	3	Nut, Hex; 10-32
62	21691	1	Sheave, Water Pump
63	180075	10	Bolt, Hex; 5/16-18 x 5/8
64	22002	1	Shield, GMT Muffler
65	120214	14	Washer, Lock; 5/16 SP
66	120382	1	Washer, Lock; 3/8 SP
67	180079	7	Bolt, Hex; 5/16-18 X 1
68	120361	1	Nut, Machine; 10-24 Hex
69	21883	1	Rod Ends
70	22003	2	Bracket, Muffler Shield
71	23083	1	Clip, Spring
72	23087	1	Housing, Ball Joint
73	22000	1	Tank, Fuel (GMT)
74	22246	1	Bushing, Gas Tank Rubber
75	22245	1	Fitting, Gas Tank
76			
77	23500	2	Strap, GMT Tank
78	10681	2	Spring, Extension; 2.50 x .62 x 5.8 Lb/in
79	21820	1	Gas Tank Support Weldment
80	23501	1	Pad, Gas Tank GMT
81	21829	1	Filter, Fuel
82	21681	1	Bracket, Engine Mounting (L. H.)
83	21814	1	Bracket, Muffler
84	21682	2	Mount, Center Motor
85	21676	2	Bracket, Engine Mounting
86	21679	1	Bracket, Engine Mounting (R. H.)
87	180087	2	Bolt, Hex; 5/16-18 x 2
88	21999	1	Decal, Engine Fan Warning
89	21830	1	Hose, Fuel (Tank to Fuel Filter)
90	120394	7	Washer, Flat; .406 x .812 x .065
91	180177	4	Bolt, Hex; 1/2-13 x 1-1/2
92	23532	2	Strip, Clamp
93	21683	2	Mount, Front Motor
94	21692	1	Belt, Radiator Fan
95	21910	2	Washer, Flat; 10mm Regular 11500307
96	419455	6	Nut, Lock; 5/16-18 Washer Insert Hex
97	21680	3	Spacer, Engine Mounting Bracket
98	21914	3	Bolt, Hex; M8 x 1.25 30mm 11500818
99	436737	1	Screw, Machine; 10-24 x 1-1/4 Pan Hd slotted
100	21831	1	Hose, Fuel (Pump to Carburetor)
101	21764	1	Prop Shaft Assy. (Engine to Transmission)
102	23071	1	Spacer, Governor Mounting
103	180046	1	Bolt, Hex; 1/4-20 x 2-1/4
104	419454	1	Nut, Lock; 1/4-20 Washer Insert
105	416904	1	Washer, Flat; 9/32 x 1 x .065
106	21879	1	Belt, V Alternator Governor
107	23070	1	Hose, Fuel (Pump to Carburetor)
108	23533	2	Shield, Air
109	22001	1	Cap, Gas Gauge

HYDRAULIC AND STEERING

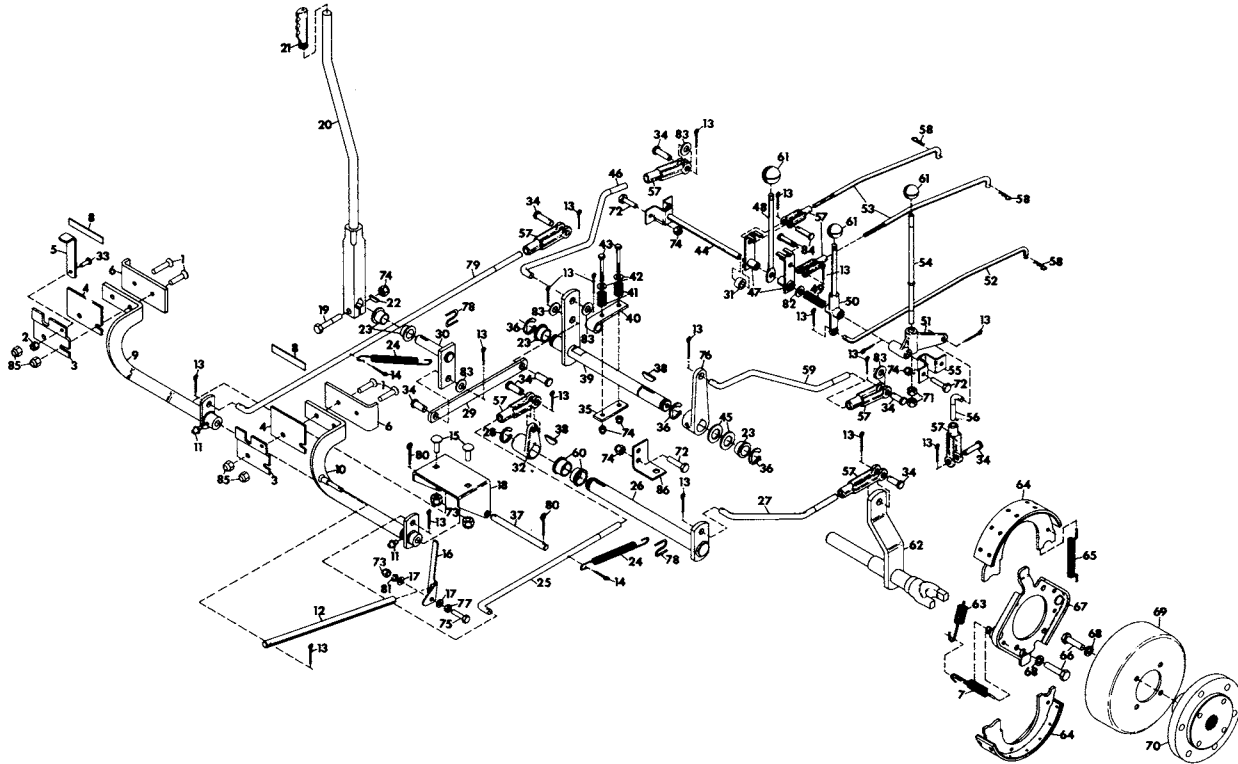


ITEM NO.	PART NO.	QTY.	DESCRIPTION
1	21658	1	Weldment, R. H. Kingpin
2	21663	1	Weldment, L. H. Kingpin
3	21667	1	Rod, Tie
4	21668	1	Assembly, Rod End R. H.
5	21669	1	Assembly, Rod End L. H.
6	124934	1	Nut, Jam; 1/2-20
7	21670	2	Bearing, Ball; 1.005 x 1.969 x .625
8	21657	4	Bushing, Oilite; 1.00 x 1.25 x 1.00
9	19340	4	Race, Bearing; 1.002 x 1.552 x .030
10	17980	2	Ring, Retaining; 1.000 Shaft
11	121222	8	Pin, Cotter; .09 x .75
12	125233	2	Nut, Hex Slotted; 3/8-24
13	120388	2	Washer, Flat; .438 x 1.000 x .038
14	190171	1	Nut, Lock; 1/2-20 Washer Insert
15	273196	1	Nut, Slotted; 1-12
16	137228	1	Pin, Cotter; .156 x 1.500
17	411027	3	Fitting, Lube; 1/4-28

HYDRAULIC AND STEERING

<u>ITEM</u> <u>NO.</u>	<u>PART NO.</u>	<u>QTY.</u>	<u>DESCRIPTION</u>
18	21651	1	Weldment, Front Axle
19	21671	1	Axle, Pivot Pin
20	23333	1	Spacer, Power Steering Cyl
21	21673	1	Cylinder, Hyd. Steering
22	21674	2	Rod End, Alinabal PF8G
23	180179	1	Bolt, Hex; 1/2-13 Washer Insert
24	120389	1	Washer, Flat; .500 x 1.250 x .083
25	21804	2	Hose, Hydraulic (Hrd, Cyl. to Line)
26	18827	1	Adapter (P-H #3503-4-4)
27	18826	3	Adapter (P-H #2503-4-4)
28	21802	1	Hyd. Line
29	21803	1	Hyd. Line
30	21287	2	Adapter (P-H #3903-4-4)
31	21797	2	Adapter (P-H 0503-6-4)
32	23285	1	Wheel, Steering
33	23286	1	Nut, Special 13/16 UNEF
34	23376	1	Insert, Steering Wheel
35	21796	1	Power Steering Unit & Column Assy.
36	10629	5	Tie, Cable
37	137185	1	Pin, Cotter; .125 x 1.00
38	417098	1	Washer, Flat; .531 x 1.000 x .063
39	21801	1	Hyd. Line
40	21794	6	Pin, Clevis; .188 x .594
41	21793	6	Strap, Hyd. Valve Actuating
42	21811	1	Line, Hydraulic; Tee to Relief Valve
43	21780	1	Weldment, Hydraulic Lever Assembly
44	21985	3	Grip, Hydraulic Control Arm
45	419455	5	Nut, Lock; 5/16-18 Washer Insert Hex
46	180077	6	Bolt, Hex; 5/16-18 x 3/4
47	419454	2	Nut, Lock; 1/4-20 Washer Insert
48	21713	1	Bracket, Hyd. Valve Mounting
49	21715	1	Valve, 3-Spool Hyd. Control
50	21716	4	Plug P/H 05PO-4
51	180044	2	Bolt, Hex; 1/4-20 x 2
52	18828	2	Adapter (P-H #2503-6-6)
53	18817	1	Adapter (P-H #0503-10-6)
54	18845	2	Hose, Hyd. 14.5 Lg.
55	435507	3	Nut, Lock; 1/2-13 Washer Insert
56	19471	1	Cylinder, Hydraulic
57	21774	1	Weldment, Cylinder Anchor Bracket
58	22430	1	Adapter, Tee
59	180175	2	Bolt, Hex; 1/2-13 x 1.25
60	18818	1	Adapter (P-H #3903-6-6)
61	19167	4	Adapter (P-H #0503-6-6)
62	21769	1	Weldment, Lift Cross Shaft
63	21777	1	Pin, Clevis; .500 x 2.00
64	11112	2	E-Ring; 1.000 Shaft Copper
65	10174	2	Bushing, Nylon; .760 x 1.000 x .600 Flange
66	190723	1	Nipple, Pipe; .75 x 2.50
67	119099	1	Elbow, 90 Degree Pipe
68	21812	1	Line, Hydraulic; Relief Valve to Tee
69	9630	3	Clamp, Hose SAE Type F
70	426370	2	Screw, Cap; 3/8-16 Hex Socket HD
71	21562	1	Assembly, Hydraulic Pump and Adaptor
72	21808	1	Line, Hydraulic; Tee to Rev. Clutch
73	21799	3	Adapter, Tee
74	21800	1	Line, Hydraulic; Tee to Straight Unit
75	21798	1	Line, Hydraulic; Pump to Tee
76	21805	1	Line, Hydraulic; Straight Unit to Tee
77	22429	1	Hydraulic Line (Tee to Fwd Clutch)
78	21806	1	Line, Hydraulic; Hyd. Valve to Tee
79	23040	1	Adapter, Hyd. Pump
80	23037	1	Hose, Suction; 17.5 x .750 ID
81	23036	1	Hose, Suction; 11.3 x .625 ID
82	21567	1	Element, Hydraulic Oil Filter
83	21813	1	Line, Hydraulic; Tee to Tee, Short
84	23038	2	Adapter
85	21566	1	Body, Hydraulic Oil Filter
86	23041	1	Coupling, Hose
87	23039	1	Adapter Hydraulic, Oil Filter
88	23035	1	Bracket, Oil Filter Mounting
89	21810	1	Valve, Relief
90	180079	3	Bolt, Hex; 5/16-18 x 1
91	23284	2	Cover, Rubber Hydraulic Line
92	22431	1	Nut, Cap
93	181709	1	Bolt, Hex; 1/2-20 x 2.50
94	23485	1	Plate, Flow Restriction

BRAKES AND CONTROLS

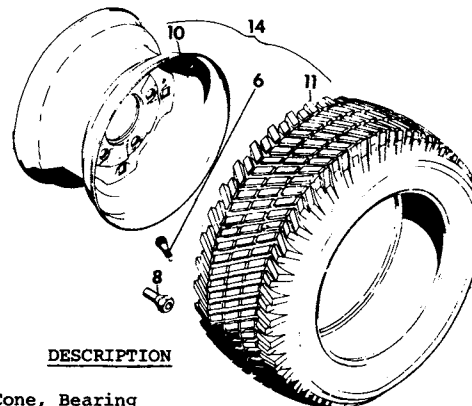
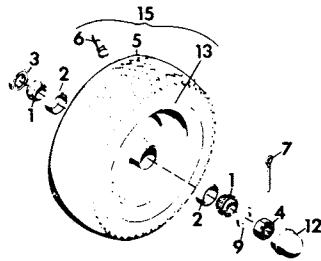


ITEM NO.	PART NO.	QTY.	DESCRIPTION
1	133781	4	Screw, Mach; 1/4-20 x 1-1/4
2	190254	1	Nut, Lock; 10-24 Washer Insert
3	21750	2	Support, Brake Lock
4	21749	2	Plate, Brake Lock Backing
5	21748	1	Arm, Brake Lock
6	21747	2	Pedal, Brake
7	23181	2	Spring, Shoe Return (Brown)
8	23195	2	Decal, Brake
9	21738	1	Weldment, Brake Pedal (R. H.)
10	21742	1	Weldment, Brake Pedal (L. H.)
11	411027	2	Fitting, Lube; 1/4-28
12	22007	1	Rod, Parking Brake
13	121222	18	Pin, Cotter; .09 x .75
14	177923	2	Pin, Cotter; .125 x .750
15	120915	2	Bolt; 3/8-16 x 1 RD HD SQ NK
16	20772	1	Arm, Parking Brake Lock
17	20775	2	Washer, Nylon
18	21737	1	Bracket, Brake Pedal
19	180087	1	Bolt, Hex; 5/16-18 X 2
20	21730	1	Weldment, Fwd-Rev Lever
21	11078	1	Grip, Hand Lever
22	124549	1	Key, Woodruff; .187 x .750 Hard
23	10174	4	Bushing, Nylon; .760 x 1.000 x .600 Flg
24	11263	2	Spring Ext Type 5-1/2 x .50 x 20 Rate
25	21761	1	Rod, Brake (R. H.)
26	21751	1	Weldment, Brake Cross Shaft
27	21762	1	Rod, Brake (L. H.)
28	11112	1	E-Ring; 1.000 Shaft Copper
29	21733	1	Link, Fwd-Rev Shifter
30	21727	1	Weldment, Fwd-Rev Pivot Arm
31	19260	1	Bushing, Pivot Casting
32	21754	1	Arm, Brake Cross-Shaft
33	159947	1	Screw, Machine; 10-24 x 3/4
34	138078	8	Pin, Clevis; .395 x .948
35	18464	1	Plate, Clutch Detent
36	11270	3	E-Ring; .750 Shaft
37	21746	1	Shaft, Brake Pedal
38	124552	2	Key, Woodruff; 3/16 x 1 Hard No. 13
39	21721	1	Weldment, Clutch Cross Shaft
40	21725	1	Weldment, Clutch Detent Bracket
41	11779	2	Spg. Comp Typ 1 x .78 x .338 LB/in
42	120393	2	Washer, Flat; .344 x .688 x .065
43	180091	2	Bolt, Hex; 5/16-18 x 2-1/2
44	21717	1	Cross Shaft Weldment
45	131017	2	Washer, Flat; .812 x 1.469 x .134
46	21734	1	Rod, Fwd Clutch
47	18368	2	Arm, Shifter Weldment

BRAKES AND CONTROLS

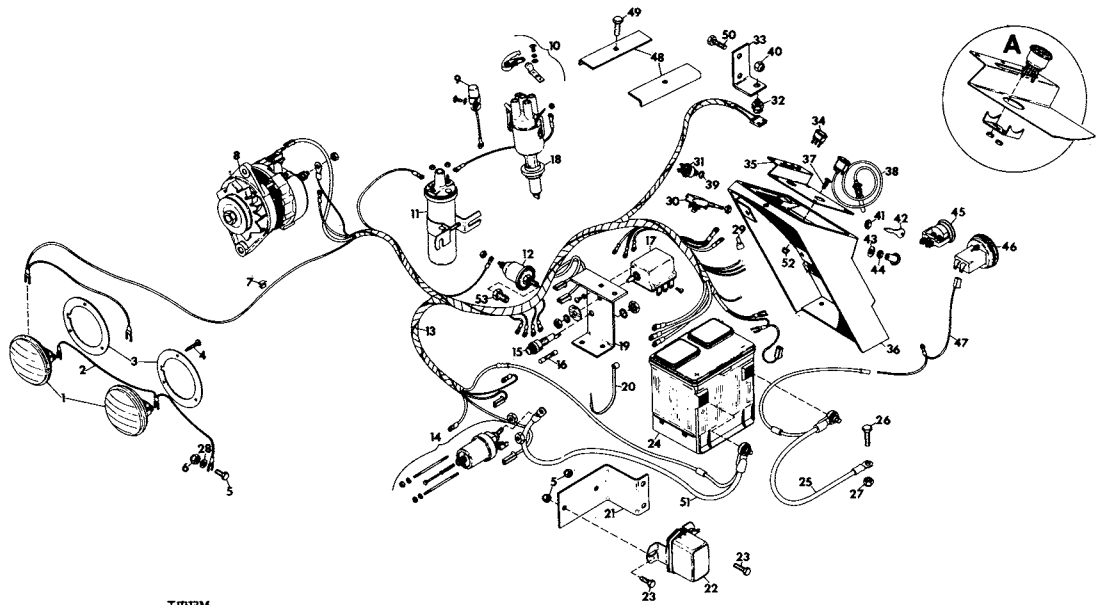
<u>ITEM NO.</u>	<u>PART NO.</u>	<u>QTY.</u>	<u>DESCRIPTION</u>
48	18371	1	Lever, Shift
49	18372	1	Spring Comp Typ 2-3/4 x .625 x 34 Rate
50	18373	1	Control, 2 Speed Asm.
51	22510	1	Arm, P.T.O.
52	21719	1	Rod, 2-Speed
53	21720	2	Rod, Shifting
54	22509	1	Lever, P.T.O.
55	11096	1	Bracket, Cross Shaft
56	21736	1	Rod, Fwd. PTO Clutch
57	18380	8	Clevis, 3/8-24 Adjustable
58	11860	3	Cotter, Hair Pin
59	21735	1	Rod, Rev Clutch
60	18355	2	Bushing, Pivot
61	10670	3	Knob, Control
62	21755	2	Weldment, Brake Actuating
63	23180	2	Spring, Shoe Return (Red)
64	23178	2	Shoe, Brake
65	23179	1	Spring, Shoe to Shoe (Green)
66	180146	8	Bolt, Hex; 7/16-14 x 1-1/8
67	23177	2	Assembly, Support Plate
68	131100	16	Washer, Lock; 7/16 SP Heavy
69	21873	2	Drum, Brake
70	23483	2	Hub, Wheel
71	272123	2	Nut, Jam; 7/16-20 Hex
72	180077	6	Bolt, Hex; 5/16-18 x 3/4
73	456004	3	Nut, Lock; 3/8-16 Washer Insert Hex
74	419455	9	Nut, Lock; 5/16-18 Washer Insert Hex
75	180124	1	Bolt, Hex; 3/8-16 x 1-1/4
76	21724	1	Arm, Rev. Clutch
77	124829	1	Nut, Jam; 3/8-16 Hex
78	11329	2	Clip, Spring
79	21763	1	Rod, Brake; (R.H.)
80	137185	2	Pin, Cotter; .125 x 1.00
81	120382	1	Washer, Lock; 3/8 SP
82	120396	1	Washer, Flat; .500 x 1.062 x .095
83	120394	3	Washer, Flat; .406 x .812 x .065
84	11718	2	Pin, Clevis; 3/8 x 1.093
85	419454	2	Nut, Lock; 5/16-18 Washer Inst. Hex
86	22455	1	Bracket, Fwd-Rev Interlock Switch

FRONT AND REAR WHEELS



<u>ITEM NO.</u>	<u>PART NO.</u>	<u>QTY.</u>	<u>DESCRIPTION</u>
1	14648	2	Cone, Bearing
2	14647	2	Cup, Bearing
3	23166	1	Seal, Oil; 1.250 x 1.979 x .25
4	427640	2	Nut, Slotted; 3/4-16 Hex Regular
5	23164	2	Tire, 20 x 8.00-10 (Soft-Trac)
6	23165	2	Stem, Valve
7	137204	2	Pin, Cotter; .125 x 1.500
8	21875	6	Bolt, Hub; 1/2-20 x .718
9	421879	1	Washer, Flat; 21/32 x 1-1/4 x .100
10	23168	2	Rim, 15.0 (Wrangler XT)
	23172	2	Rim, 15.0 (Xtra Traction)
	23174	2	Rim, 16.0 (Cleated)
11	23173	2	Tire, 29 x 12.00-15 (Xtra Traction Rear)
	23169	2	Tire, 31 x 15.00-15 (Wrangler XT Rear)
	23175	2	Tire, 9.5 x 16 (Cleated Tractor Rear)
12	23167	2	Cap, Dust
13	23706	2	Rim, 10.0 (Soft-Trac Front)
14	21869	2	Assembly, w/29 x 12.00-15 Wheel
	22406	2	Assembly, 31 x 15.50-15 Wheel
	22405	1	Assembly, 9.5-16 Wheel (L.H.)
	23176	1	Assembly, 9.5-16 Wheel (R.H.)
15	23324	2	Assembly, 20 x 8.00-10 Wheel

ELECTRICAL



ITEM NO.	PART NO.	QTY.	DESCRIPTION
1	21864	2	Headlamp, Sealbeam
2	23217	1	Wire, Headlight Ground
3	21865	2	Plate, Sealbeam Mounting
4	23260	6	Screw, Self-Tapping; 6-20 x .75
5	180020	1	Bolt, Hex; 1/4-20 x 3/4
6	419454	1	Nut, Lock; 1/4-20 Washer Insert
7	11286	2	Clip, Wire
8	22642	1	Alternator
9	23140	1	Condensor
10	23146	1	Points, Ignition
11	22365	1	Coil, Ignition; 12 Volts
12	22442	1	Unit, Pressure Sending
13	23327	1	Harness, Wiring; GMT 900
14	22392	1	Kit, Starter Solenoid
15	21416	1	Fuse, Panel
16	14893	1	Fuse, 30 AMP Acc-30
17	21860	1	Switch, Magnetic Temp Gage
18	22380	1	Distributor
19	21859	1	Bracket, Magnetic Switch
20	10629	Req	Tie, Cable
21	21711	1	Bracket, Voltage Regulator
22	21712	1	Regulator, Voltage
23	180018	2	Bolt, Hex; 1/4-20 x .625
24	21765	1	Battery, 12 V
25	21768	1	Cable, Ground
26	180120	1	Bolt, Hex; 3/8-16 x .750
27	456004	1	Nut, Lock; 3/8-16 Washer Insert Hex
28	422845	1	Washer, Flat; .281 x .625 x .065
29	11763	3	Nut, Wire
30	11337	1	Switch, Light
31	18207	1	Switch, Ignition
32	20916	1	Switch, Interlock
33	22455	1	Bracket, Fwd-Rev Interlock Switch
34	22441	1	Gauge, Oil Pressure
35	23326	1	Plate, Instrument Panel (GMT 900)
36	21842	1	Panel, Instrument Panel (GMT)
37	159658	6	Screw, Machine; 8-32 x 3/4 Pan HD C-Recess
38	21849	1	Gauge, Water Temperature
39	18586	1	Washer, Lock; 5/8 Int. Tooth
40	419455	2	Nut, Lock; 5/16-18 Washer Insert Hex
41	18585	1	Nut, Jam; 5/8-32
42	18570	1	Key, Ignition Switch
43	120388	1	Washer, Flat; .438 x 1.000 x .038
44	18587	1	Nut, Special; Light Switch
45	21848	1	Gauge, Ammeter
46	21844	1	Hour Meter & Mounting Hardware
47	23216	1	Wire, Hourmeter Ground
48	22171	2	Bracket, Battery Mounting
49	180079	2	Bolt, Hex; 5/16-18 x 1
50	180077	2	Bolt, Hex; 5/16-18 x 3/4
51	21767	1	Cable, Battery to Starter Solenoid
52	454748	6	Nut, Lock; 8-32 Washer Insert
53	22443	1	Fitting, Oil Pressure Gauge

NOTE: Circle A pertains to typical installation of gauges, Item numbers 34, 38 and 45.

WIRING DIAGRAM 900 SERIES

