

# FRONT WHEEL WEIGHT MANUAL



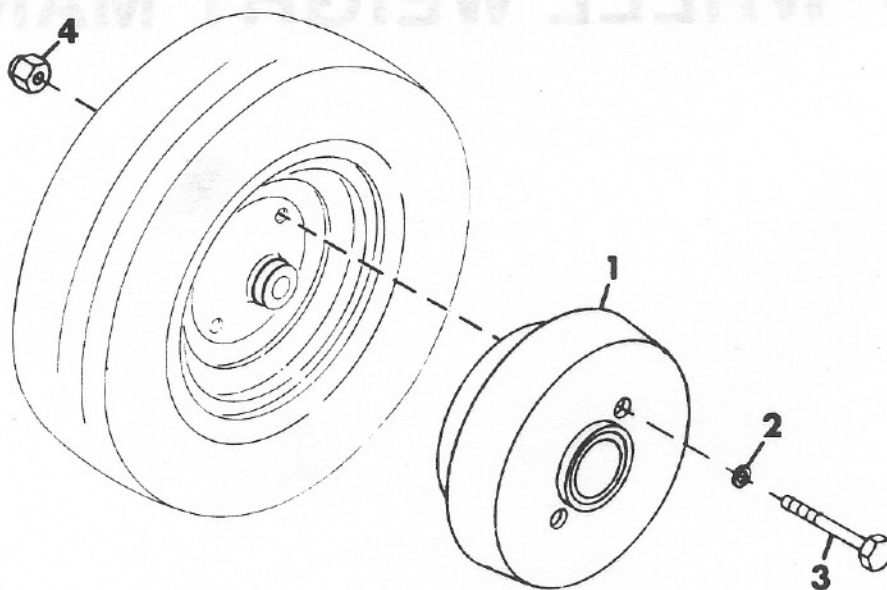
## SECTION 1

### Installation

1. Put one flat washer on each 3/8-16x6" bolt.
2. Put the bolts into the weights from the smoothest side.
3. Guide the weights into the wheel and the bolts into the bolt holes.
4. Put 3/8-16 washer insert nuts on the bolts.
5. Tighten the bolts just enough to keep the weights from moving in the wheel.

## SECTION 2

### Illustrated Parts and Parts List



ITEM NO.	PART NO.	QTY.	DESCRIPTION
1	38246	2	Weight, Front Wheel
2	120394	4	Washer, Flat .406x.812x.065
3	127670	4	Bolt, Hex 3/8-16x6.00
4	456004	4	Nut, Lock 3/8-16