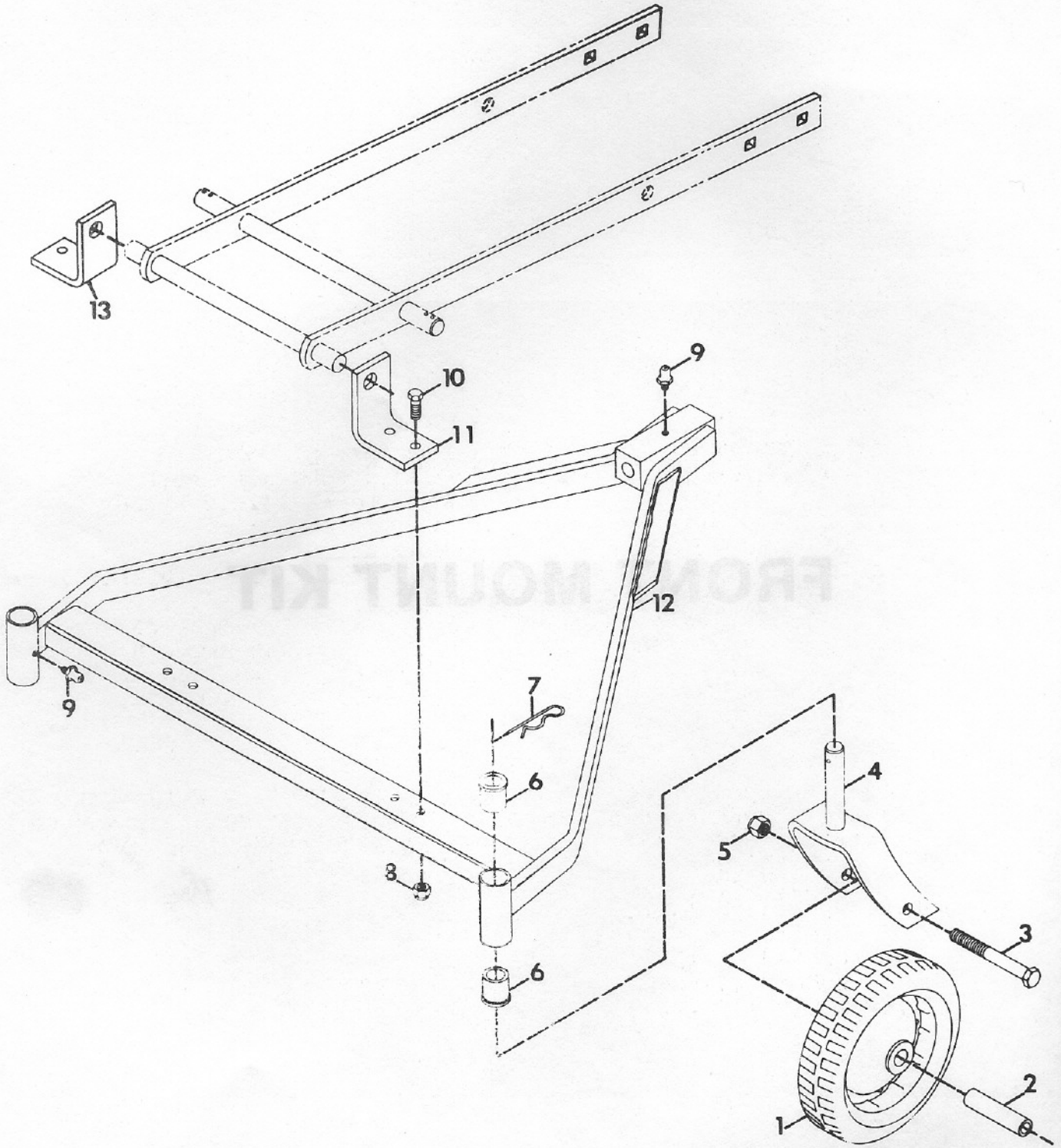


FRONT MOUNT KIT

ITEM NO.	PART NO.	QTY	DESCRIPTION
1	15788	2	Support, Axle
2	11940	2	Support, Wheel, 1/2"
3	433102	2	Bracket, 1/2-11X5
4	11943	2	Support, Castor/Fork
5	435507	2	Washer, 1/2-11 Washer
6	11947	2	Bracket, 1/2-11X5
7	18475	2	Bracket, 1/2-11X5
8	18475	2	Bracket, 1/2-11X5
9	18475	2	Bracket, 1/2-11X5
10	180124	4	Bracket, 1/4-20
11	40833	2	Support, Pivot Arm 1/8"
12	11932	2	Assembly, Frame 1/8"
13	40838	2	Support, Pivot Arm 1/8"

NOTE THE ORIENTATION OF THE BRACKETS (ITEMS 11 & 13) FOR ASSEMBLY. WHEN USED WITH AN OLD MOWER, USE TWO PART NUMBER 11932 SUPPORT, PIVOT ARMS IN PLACE OF ITEMS 11 & 13.

GRAVELLY



FRONT MOUNT KIT

ITEM NO.	PART NO.	QTY.	DESCRIPTION
1	15788	2	Wheel, Gauge
2	11950	2	Bushing, Wheel; .520
3	433163	2	Bolt, Hex 1/2-13x5
4	11948	2	Weldment, Caster Fork
5	435507	2	Nut, Lock 1/2-13 Washer
6	11947	4	Bushing .725x1.065
7	10405	2	Pin, Hair
8	456004	4	Nut, Lock 3/8-16 Washer Insert
9	411027	3	Fitting, Lube 1/4-28
10	180124	4	Bolt, Hex 3/8-16x1.25
11	40839	1	Support, Pivot Arm L.H.
12	11939	1	Assembly, Frame Weldment
13	40838	1	Support, Pivot Arm R.H.

NOTE THE ORIENTATION OF THE BRACKETS (ITEMS 11 & 13) FOR ASSEMBLY. WHEN USED WITH AN OLD MOWER, USE TWO PART NUMBER 11946, SUPPORT, PIVOT ARMS, IN PLACE OF ITEMS 11 & 13.