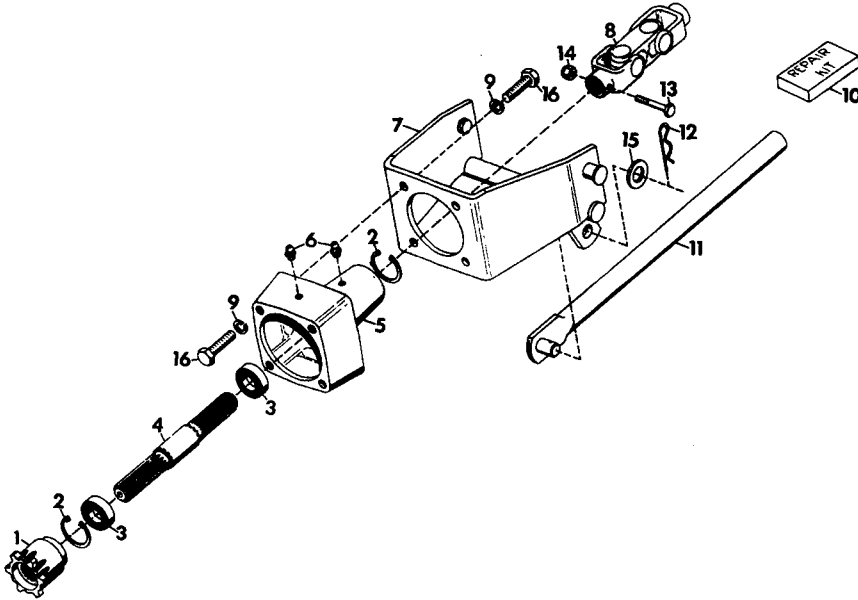


NAME: FRONT ADAPTER KIT

PART NUMBER(S): 21339



ITEM NO.	PART NO.	DESCRIPTION
1	21343P1	Dog, Attachment
2	19073P1	Ring, Retaining; 2.062 Bore
3	19072P1	Bearing, Ball; .984 x 2.047 x .590
4	21342P1	Shaft, Front Adapter
5	21341P1	Housing, Adapter
6	9411027	Pitting, Lube; 1/4'-28
7	11609A1	Adapter, Weldment
8	11967A1	Double Joint Assembly
9	120384	Washer, Lock; 1/2 SP
10	12134A1	Kit, Repair Universal Joint Rockwell Std.
	20573A1	Kit, Repair Universal Joint Neapco 1605X
11	11607A1	Rod, Push Weldment
12	1040SP1	Cotter, Hair Pin
13	180044	Bolt, Hex; 1/4-20 x 2
14	9419454	Nut, Lock; 1/4-20 Washer Insert
15	131017	Washer, Flat; 13/16 x 1 15/32 x .134
16	180177	Bolt, Hex; 1/2-13 x 1 1/2

To continue its program of quality and design improvement, the manufacturer reserves the right to change specifications, designs and prices without notice and without incurring obligation.