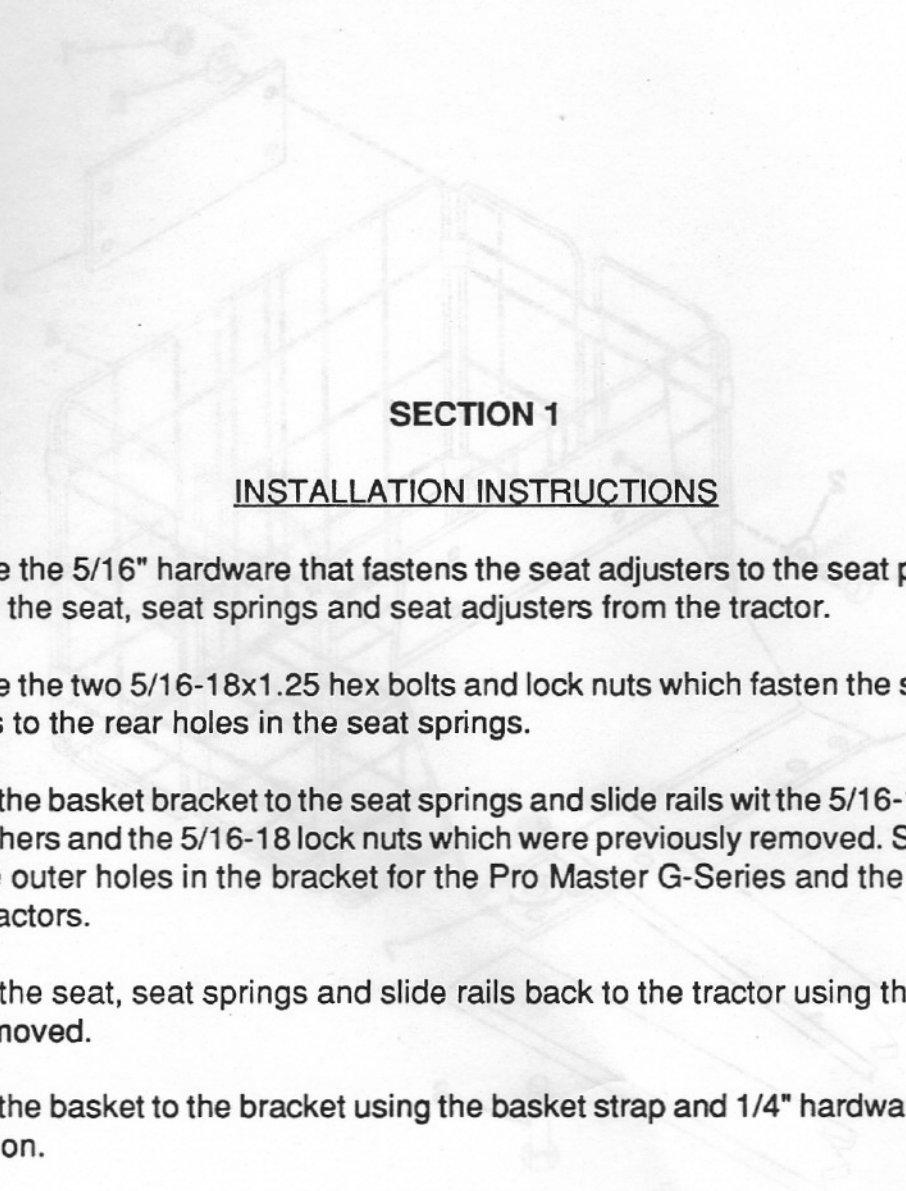


DEBRIS BASKET KIT



SECTION 1

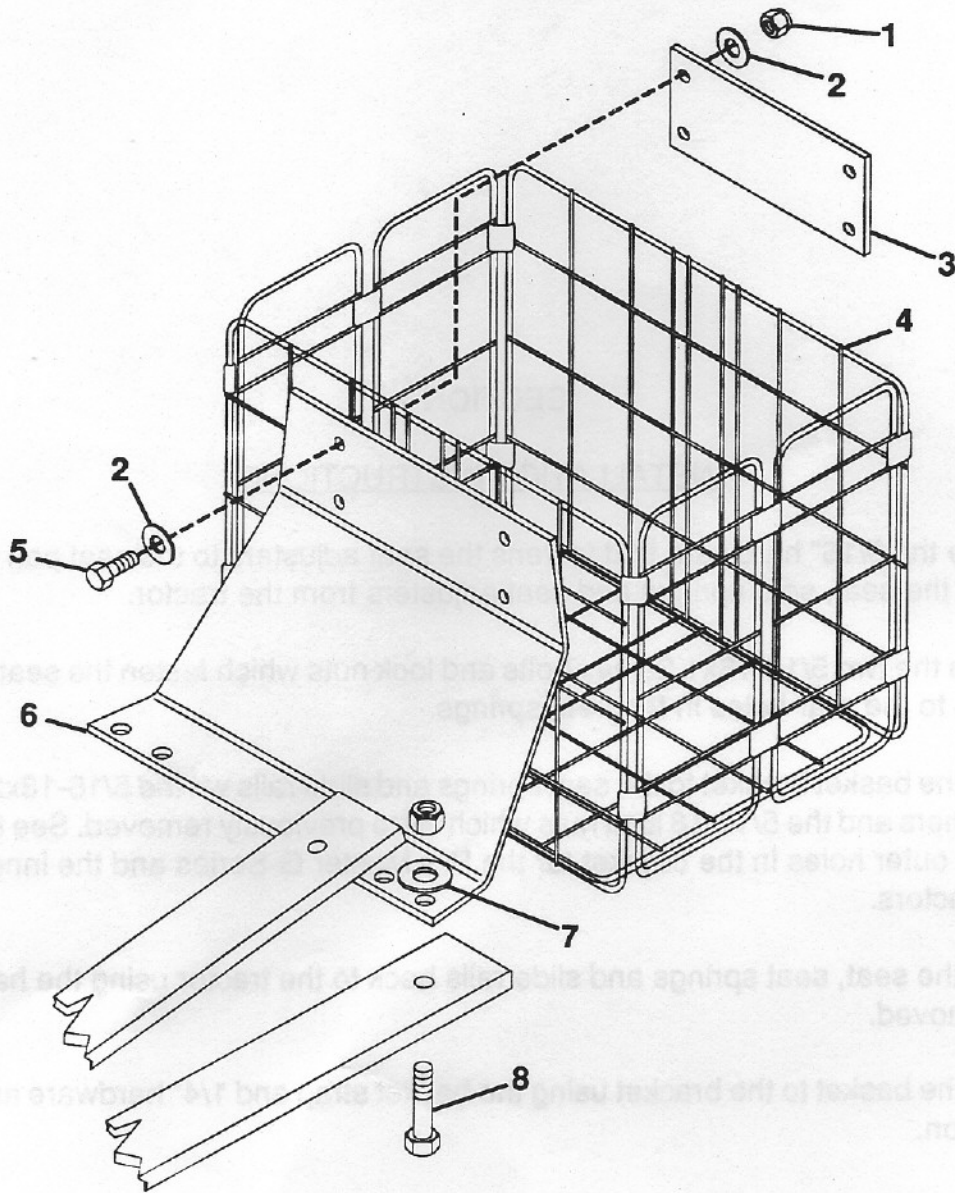
INSTALLATION INSTRUCTIONS

1. Remove the 5/16" hardware that fastens the seat adjusters to the seat pan weldment and remove the seat, seat springs and seat adjusters from the tractor.
2. Remove the two 5/16-18x1.25 hex bolts and lock nuts which fasten the seat adjusters and spacers to the rear holes in the seat springs.
3. Fasten the basket bracket to the seat springs and slide rails with the 5/16-18x2.00 hex bolts, flat washers and the 5/16-18 lock nuts which were previously removed. See the illustration. Use the outer holes in the bracket for the Pro Master G-Series and the inner holes for all other tractors.
4. Fasten the seat, seat springs and slide rails back to the tractor using the hardware which was removed.
5. Fasten the basket to the bracket using the basket strap and 1/4" hardware as shown in the illustration.

DESCRIPTION	QTY.	PART NO.	ITEM NO.
Flat Lock 1/4-20	4	418454	1
Washer Flat 5/16x1.25x.065	8	120392	2
Basket Bracket	1	48238	3
Bracket	1	48247	4
Bolt Hex 1/4-20x1.00	4	180022	5
Bracket Bracket	1	48235	6
Washer Flat 5/16x1.25x.065	2	120392	7
Bolt Hex 5/16-18x2.00	2	218082	8

SECTION 2

ILLUSTRATED PARTS AND PARTS LIST



ITEM NO.	PART NO.	QTY.	DESCRIPTION
1	419454	4	Nut, Lock 1/4-20
2	120392	8	Washer, Flat .281x.625x.065
3	46236	1	Strap, Basket
4	46247	1	Basket
5	180022	4	Bolt, Hex 1/4-20x1.00
6	46235	1	Bracket, Basket
7	120393	2	Washer, Flat .344x.688x.065
8	180087	2	Bolt, Hex 5/16-18x2.00