



GRAVELLY®

www.oldgravelys.net

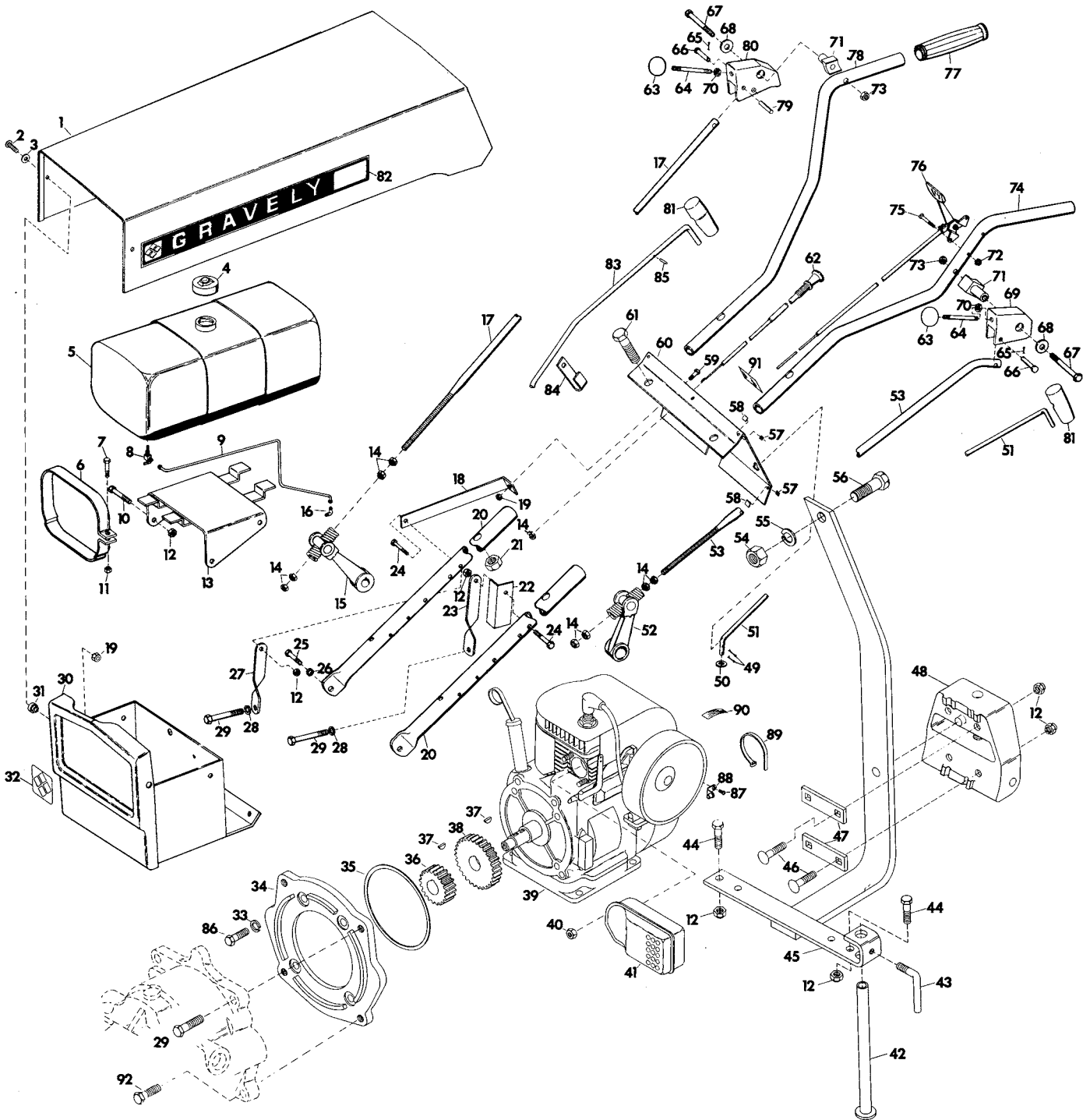
**COMMERCIAL 8
ILLUSTRATED
PARTS LIST**

 **GRAVELLY**
CORPORATION

INDEX

	Page
FRAMEWORK AND CONTROLS	2
TRANSMISSION	5
DIFFERENTIAL	8
OPTIONAL EQUIPMENT	
COUPLER STRUT WELDMENT	11
TRAILING HITCH KIT	11
DUAL WHEEL KIT	12

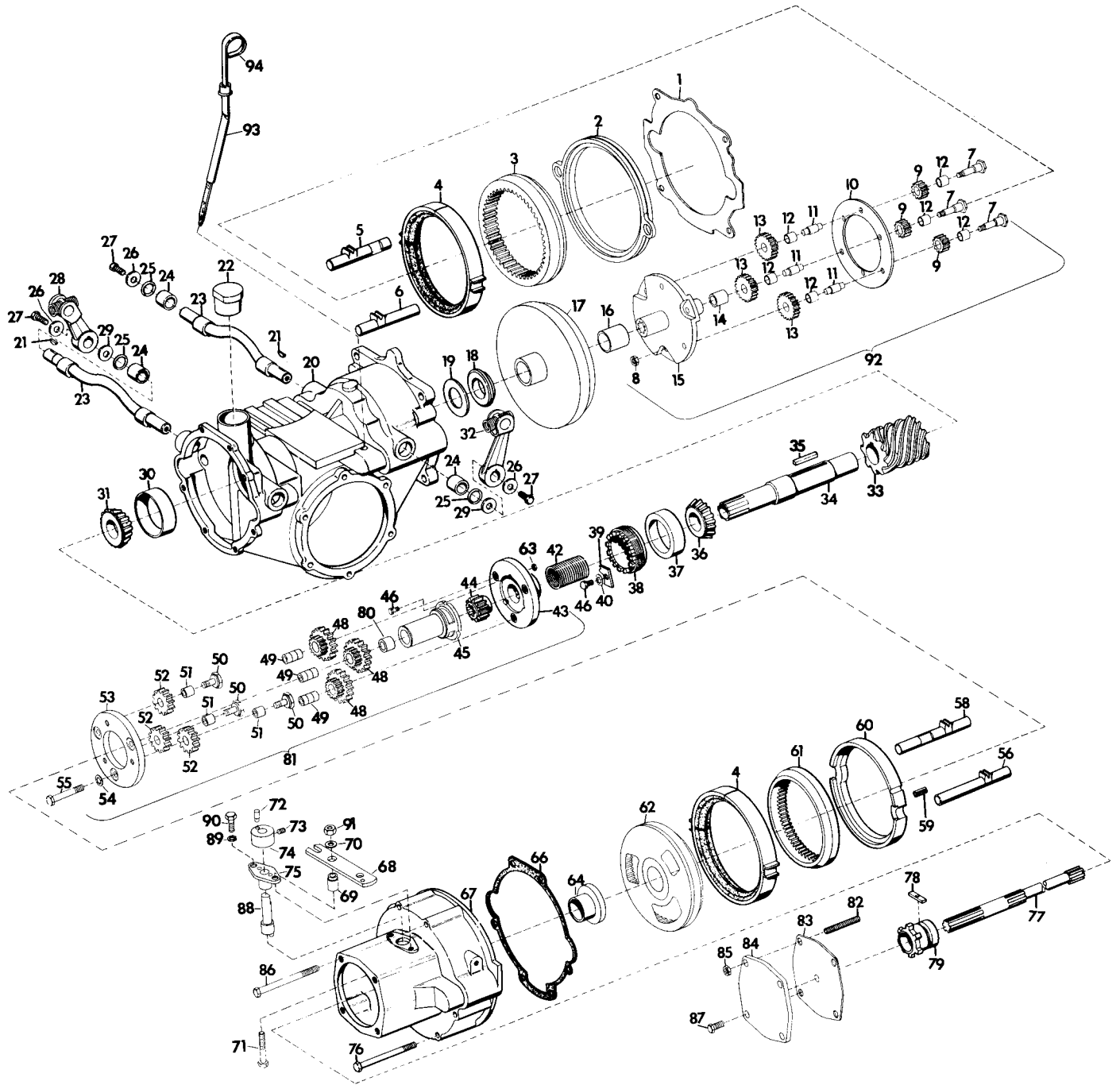
FRAMEWORK AND CONTROLS



<u>ITEM NO.</u>	<u>PART NO.</u>	<u>DESCRIPTION</u>
1	10650P2	Hood
2	160536	1/4 x 5/8 Machine Screw
3	120392	9/32 Flat Washer
4	10756P1	Tank Cap
5	10636P1	Fuel Tank
6	10640P1	Fuel Tank Strap
7	180022	1/4 x 1 Hex. Hd. Bolt
8	7354P1	Valve Strainer
9	10896P1	Fuel Hose
NS	7216P1	Hose Clamp
10	180130	3/8 x 2 Hex. Hd. Bolt
11	9413314	1/4 Locknut
12	456004	3/8 Locknut
13	10637A1	Fuel Tank Bracket Weldment
14	124925	3/8 Hex. Jam Nut
15	11327A1	Fwd.-Rev. Actuating Shaft Lever Assy.
16	13502P1	Elbow
17	11986P1	Fwd.-Rev. Clutch Rod
18	10996P1	Brace
19	9419454	1/4 Locknut
20	10643P1	Tube Support
21	225857	1/2 Hex. Nut
22	10933P1	Rod Stop
23	14939P1	Handle Brace
24	180134	3/8 x 2 1/2 Hex. Hd. Bolt
25	180122	3/8 x 1 Hex. Hd. Bolt
26	120382	3/8 Lockwasher
27	10655P1	Handle Brace
28	131100	7/16 Lockwasher
29	180149	7/16 x 1 1/2 Hex. Hd. Bolt
30	10644A4	Grille Weldment
31	12117P1	Hood Pivot
32	10697P1	Front Decal
33	131099	3/8 Lockwasher
34	14938P1	Engine Adapter
35	14937P1	Gasket
36	11006P1	Transmission Drive Gear
37	124546	#6 Woodruff Key
38	11005P1	Transmission Drive Gear
39	15669A1	Engine
40	120375	1/4 Hex. Nut
41	15671P1	Muffler
42	6027A1	Sprayer Tank Stand
43	13457P1	Handle
44	180126	3/8 x 1 1/2 Hex. Hd. Bolt
45	14941A1	Rear Hitch Weldment
46	126416	3/8 x 1 3/4 Carriage Bolt
47	11955P1	Plate
48	11956P1	Hitch Casting
49	121224	3/32 x 1 Cotter Pin
50	120394	13/32 Flatwasher

<u>ITEM NO.</u>	<u>PART NO.</u>	<u>DESCRIPTION</u>
51	10932P1	Attachment Throw-Out Rod
52	11328A1	Hi-Lo Actuating Shaft Lever Assy.
53	10733P1	Hi-Lo Clutch Rod
54	124589	5/8 Hex. Nut
55	121574	5/8 Lockwasher
56	271547	5/8 x 1 1/2 Hex. Hd. Bolt
57	12116P1	Hood Bumper Clip
58	12115P1	Hood Bumper
59	180018	1/4 x 5/8 Hex. Hd. Bolt
60	10653P3	Instrument Panel
61	443615	1/2 x 2 Hex. Hd. Bolt
62	10696P1	Choke Control
63	10670P1	Control Knob
64	10669P1	Shifter Rod
65	177923	1/8 x 3/4 Cotter Pin
66	10672P1	Clevis Pin
67	180192	1/2 x 3 1/2 Hex. Hd. Bolt
68	120396	17/32 Flat Washer
69	10666P1	Hi-Lo Shifter Rod Support
70	272123	7/16 Hex. Jam Nut
71	10667P1	Handle Lever Pivot
72	190254	#10 Locknut
73	435507	1/2 Locknut
74	10658P1	Handle Bar, Left
75	436738	#10 x 1 1/2 Machine Screw
76	14944P1	Throttle Control Lever
77	10671P1	Handle Grip
78	11982P1	Handle Bar, Right
79	453670	1/4 x 1 1/8 Spring Pin
80	11985P1	Fwd.-Rev. Shifter Rod Support
81	10683P1	Handle
82	14945P1	Hood Decal
83	10677A1	2-Speed Control Rod Weldment
84	10684P1	2-Speed Control Retainer
85	9423664	3/32 Spring Pin
86	180124	3/8 x 1 1/4 Hex. Hd. Bolt
87	180020	1/4 x 3/4 Hex. Hd. Bolt
NS	9419454	1/4 Lock Nut
88	15699P1	Bracket
89	10629P1	Cable Tie
90	10862P1	Air Cleaner Instruction Decal
91	11981P1	Operating Instructions Decal
92	180147	7/16 x 1 1/4 Hex. Hd. Bolt
NS	10713P2	Ignition Switch

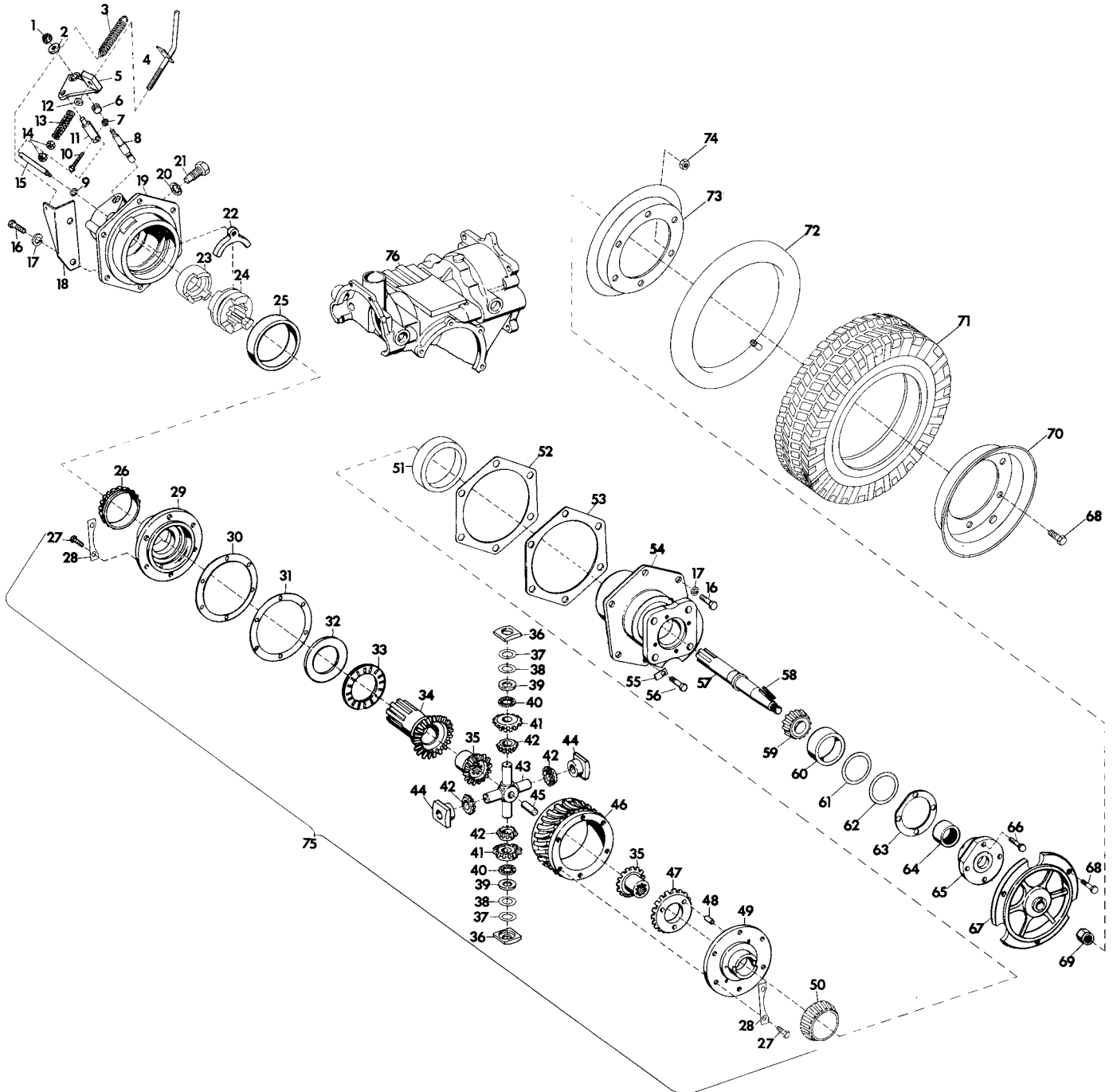
TRANSMISSION



<u>ITEM</u> <u>NO.</u>	<u>PART NO.</u>	<u>DESCRIPTION</u>
1	10635P1	Gasket
2	11183P1	Rear Spacer
3	11182P1	Rear Ring Gear
4	12644A1	Clutch Cup
5	11185P1	Clutch Slide Rod R.H.
6	11184P1	Clutch Slide Rod L.H.
7	11181P1	Orbit Gear Pin
8	11342P1	5/16 Special Nut
9	11179A1	Orbit Gear Assembly
10	11178P1	Pin Spacer
11	11174P1	Orbit Gear Pin
12	11177P1	Orbit Gear Bushing
13	11175A1	Orbit Gear Assembly
14	11172P1	Planet Carrier Bushing
15	11171A1	Planet Gear Carrier & Bushing Assembly
16	11169P1	Ring Gear Bushing
17	11168A1	Ring Gear & Bushing Assembly
18	12645P1	Thrust Plate
19	2211P1	Shim
20	10628P1	Chassis
21	124545	Woodruff Key
22	10617P1	Oil Filler Plug
23	10625P1	Clutch Actuating Shaft
24	10618P1	Clutch Actuating Shaft Bushing
25	10663P1	"O" Ring
26	12694P1	Flat Washer
27	180016	1/4 x 1/2 Hex. Hd. Bolt
28	11327A1	Fwd.-Rev. Actuating Shaft Lever Assembly
29	10714P1	Special Washer
30	10390P1	Bearing Cup
31	10389P1	Bearing Cone
32	11328A1	Hi-Lo Actuating Shaft Lever Assembly
33	13496P1	Worm 8 Lead
34	12647P1	Worm Shaft
35	12668P1	Worm Key
36	12332P1	Roller Bearing Cone
37	12333P1	Roller Bearing Cup
38	12635P1	Bearing Adjusting Nut
39	12648P1	Adjusting NutLock
40	120380	1/4 Lockwasher
42	12663P1	Pin Plate Spacer Spring
43	12633P1	Front Pin Plate
44	12637P1	Sun Gear
45	14923A1	Quill and Bushing Assembly
46	180018	1/4 x 5/8 Hex. Hd. Bolt
48	12639P1	Orbit Gear
49	12640P1	Orbit Gear Pin
50	12658P1	Reverse Idler Bolt
51	12657P1	Reverse Idler Bushing
52	12656P1	Reverse Idler Gear

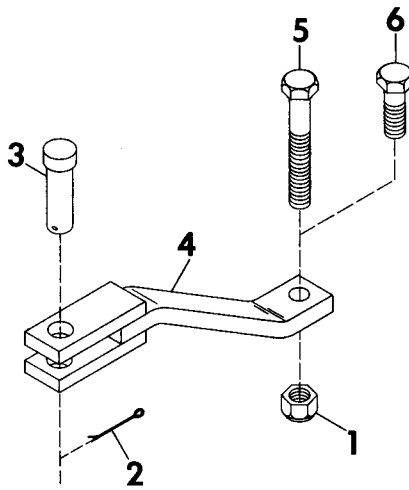
<u>ITEM NO.</u>	<u>PART NO.</u>	<u>DESCRIPTION</u>
53	12655P1	Front Pin Spacer
54	138542	3/8 Lock Washer
55	12643P1	Special Bolt
56	12677P1	Clutch Slide Rod L.H.
58	12678P1	Clutch Slide Rod R.H.
59	13456P1	3/8 Spring Pin
60	12636P1	Gear Cup
61	12632P1	Internal Gear
62	12654P1	Reverse Cone
63	120375	1/4 Hex. Nut
64	14921A1	Thrust Bushing Assembly
66	12591P1	Chassis Front Gasket
67	14920A1	Advance Casting Assembly
68	12122P1	Shifter Arm
69	12123P1	Spacer
70	120393	11/32 Plain Washer
71	180087	5/16 x 2 Hex. Hd. Bolt
72	12320P1	Shifter Dowel
73	102592	3/8 x 3/8 Set Screw
74	10688P2	Shifter Body
75	10687P1	Shipper Shaft Guide
76	180735	5/16 x 3 1/4 Hex. Hd. Bolt
77	11298P1	Pinion Shaft
78	12601P1	Dog Block
79	12660P1	Clutch Dog
80	12662P1	Pinion Shaft Bearing
81	14922A1	Fwd.-Rev. Planetary Assembly
82	12110P1	Stud
83	12603P1	Attachment Boss Cover Gasket
84	14908A1	Weldment Cover
85	120238	1/2 Hex. Nut
86	187147	5/16 x 3 1/2 Hex. Hd. Bolt
87	180175	1/2 x 1 1/4 Hex. Hd. Bolt
88	10686P1	Shipper Shaft
89	120214	5/16 Lockwasher
90	180075	5/16 x 5/8 Hex. Hd. Bolt
91	9419455	5/16 Locknut
92	14615A1	Hi-Lo Planetary Assembly
93	10622A1	Dipstick Assembly
94	10586P1	Dipstick Guide

DIFFERENTIAL



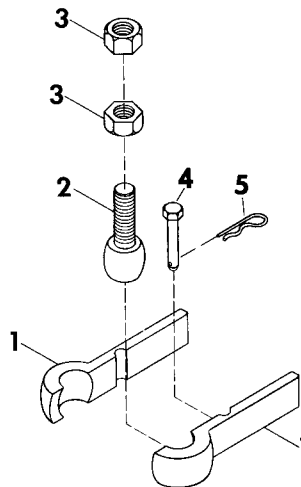
<u>ITEM NO.</u>	<u>PART NO.</u>	<u>DESCRIPTION</u>
1	9419455	5/16 Locknut
2	120393	11/32 Flat Washer
3	10681P1	Extension Spring
4	10677A1	2-Speed Control Rod Weldment
5	6723A1	Shifter Arm
6	6724P2	Pivot Bushing
7	9413314	1/4 Locknut
8	10505P1	Stationary Pivot Pin
9	6732P1	"O" Ring
10	180024	1/4 x 1 1/4 Hex. Hd. Bolt
11	6726P1	Shifting Pin
12	120394	13/32 Flat Washer
13	10682P1	Compression Spring
14	124925	3/8 Hex. Jam Nut
15	6721P1	Clutch Sliding Pin
16	180173	1/2 x 1 Hex. Hd. Bolt
17	120384	1/2 Lockwasher
18	10680P1	2-Speed Spring Bracket
19	10381P3	Axle Housing
20	138557	5/8 Lock Washer
21	6734P2	Stationary Clutch Bolt
22	6719P1	Shifting Yoke
23	11156P1	Stationary Clutch
24	11632P1	Shifting Clutch
25	12500P1	Roller Bearing Race
26	12501P1	Roller Bearing Cone
27	180077	5/16 x 3/4 Hex. Hd. Bolt
28	11351P1	Locking Plate
29	11148P1	Clutch Housing
30	6739P1	Shim .005
31	6740P1	Shim .020
32	6744P1	Needle Thrust Race
33	6743P1	Needle Thrust Bearing
34	6704P1	Shifting Gear
35	6709P1	Differential Gear
36	6715P2	Spider Thrust Washer
37	6738P1	Shim .020
38	6737P1	Shim .005
39	6742P1	Thrust Race
40	6741P1	Needle Thrust Bearing
41	6702P1	Shifting Train Pinion
42	6708P1	Spider Gear
43	6710P1	Spider Pin
44	6752P1	Thrust Spacer
45	6711P1	Thrust Pin
46	6705P1	Worm Gear 8 Lead
47	6703P1	Pinned Gear
48	6714P1	Dowel Pin
49	12126P1	Pinned Housing
50	12131P1	Roller Bearing Cone

<u>ITEM NO.</u>	<u>PART NO.</u>	<u>DESCRIPTION</u>
51	12130P1	Roller Bearing Cup
52	12595P1	Shim .005
	12596P1	Shim .020
53	12597P1	Gasket
54	12128P1	Axle Housing
55	12594P1	Oil Drain Washer
56	13624P1	Special Bolt
57	10377P1	Axle
58	12672P1	Axle Key
59	9246P1	Bearing Cone
60	9245P1	Bearing Cup
61	10382P1	Shim .020
62	10383P1	Shim .005
63	10384P1	Bearing Cap Gasket
64	12590P1	Oil Seal
65	10379P1	Bearing Cap
66	180077	5/16 x 3/4 Hex. Hd. Bolt
67	12671P1	Wheel Hub
68	9428638	3/8 x 5/8 Hex. Hd. Bolt
69	13412P1	Axle Nut
70	12673P1	Outer Rim
71	11644P1	Tire
72	11645P1	Tube
73	12674P1	Inner Rim
74	124829	3/8 Hex. Jam Nut
75	14926A1	Differential Assembly with Bearings
76	10628P1	Chassis



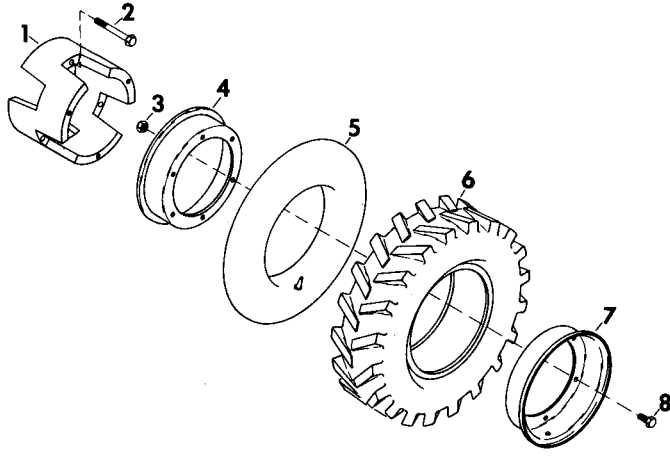
COUPLER STRUT WELDMENT, 11980E1 (OPTIONAL)

<u>ITEM NO.</u>	<u>PART NO.</u>	<u>DESCRIPTION</u>
1	435507	1/2 Lock Nut
2	137204	1/8 x 1 1/2 Cotter Pin
3	10708P1	Clevis Pin
4	11664A1	Coupler Strut Weldment
5	180192	1/2 x 3 1/2 Hex. Hd. Bolt
6	180177	1/2 x 1 1/2 Hex. Hd. Bolt



TRAILING HITCH KIT, 11627E1 (OPTIONAL)

<u>ITEM NO.</u>	<u>PART NO.</u>	<u>DESCRIPTION</u>
1	12572P1	Split Socket
2	12570P1	Ball Stud
3	124944	5/8 Jam Nut
4	11685P1	Drawbar Pin
5	11860P1	Hair Pin Cotter



DUAL WHEEL KIT, 12339E1 (OPTIONAL)

<u>ITEM NO.</u>	<u>PART NO.</u>	<u>DESCRIPTION</u>
1	12745P1	Dual Wheels Spacer
2	189304	3/8 x 3 1/4 Hex. Hd. Bolt
3	124829	3/8 Hex. Jam Nut
4	12674P1	Inner Rim
5	11645P1	Tube
6	11644P1	Tire
7	12673P1	Outer Rim
8	180118	3/8 x 5/8 Hex. Hd. Bolt

To continue its program of quality and design improvement, the manufacturer reserves the right to change specifications, design or prices without notice and without incurring obligations.