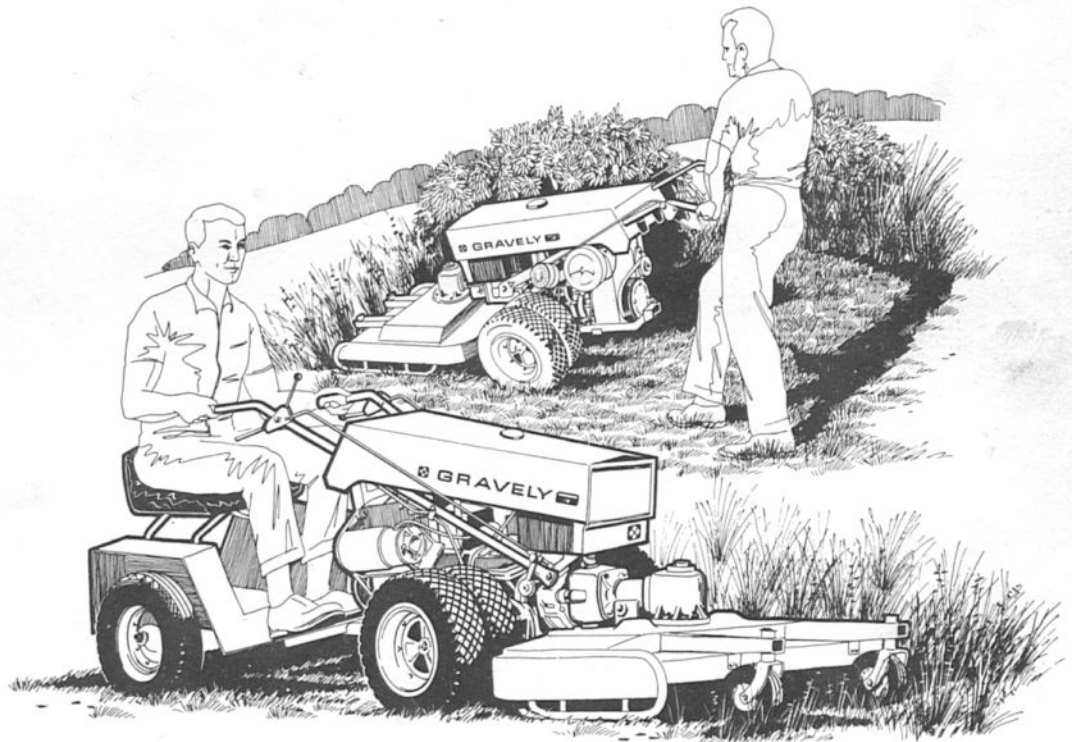


# **GRAVELY**

## **COMMERCIAL-10**

### **ILLUSTRATED PARTS LIST**

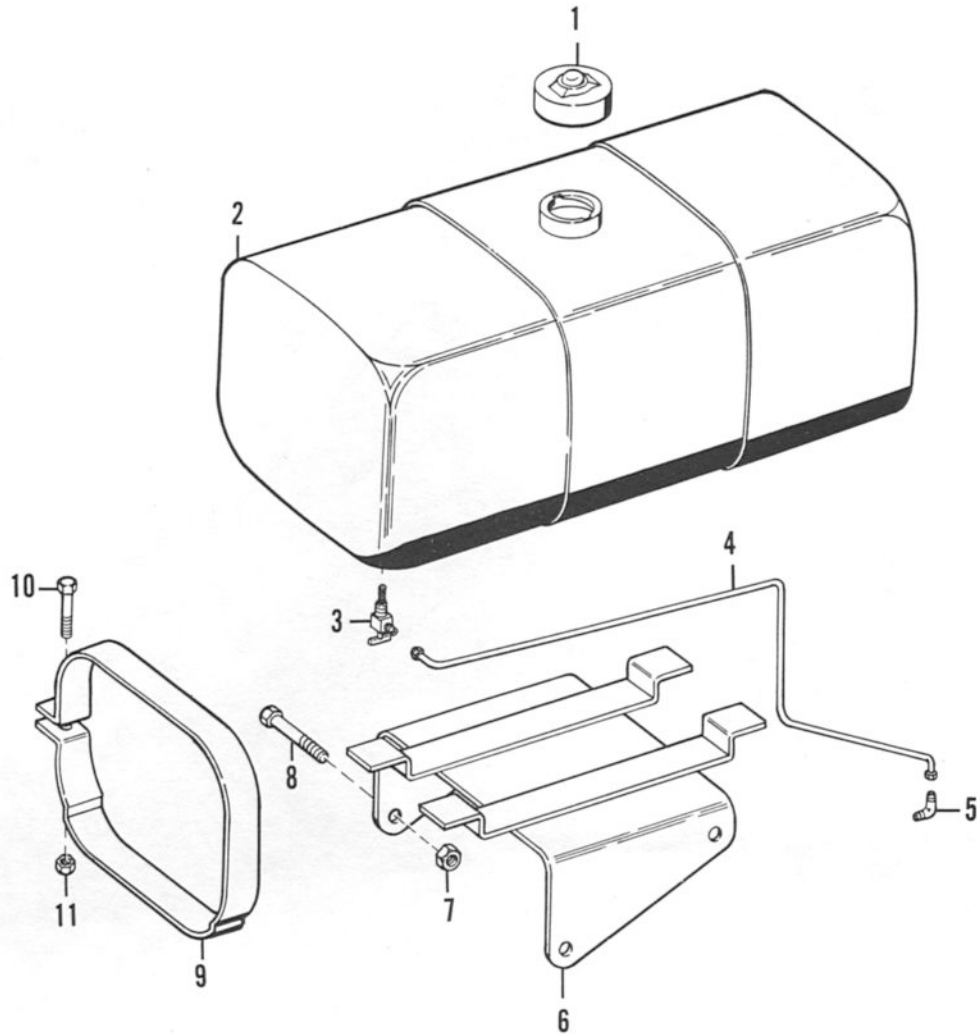


 **GRAVELY**

To continue its program of quality and design improvement, the manufacturer reserves the right to change specifications, design or prices without notice and without incurring obligation.

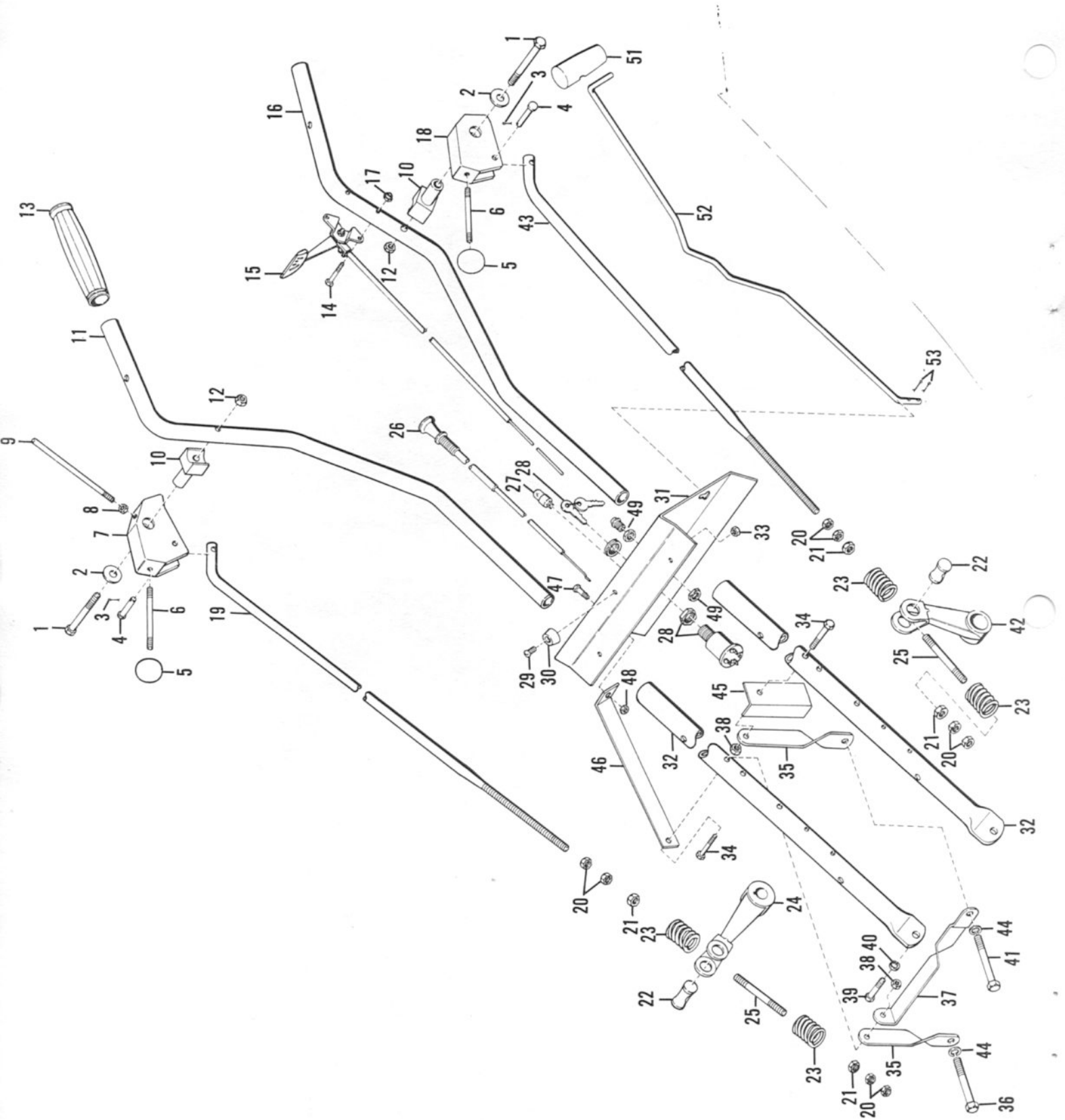
FORM NO: PI-139-C  
May 1, 1971

# GAS TANK



Item No.	Part No.	Description
1	10756P1	Tank Cap
2	10636P1	Fuel Tank
3	10642P1	Shut Off Valve
4	10868A1	Fuel Line Assembly
5	192135	Tube-to-Pump Elbow
6	10637A1	Fuel Tank Bracket
7	9416107	Locknut (253-N)
8	180129	Hex. Hd. Bolt (124-S)
9	10640P1	Fuel Tank Strap
10	180020	Hex. Hd. Bolt (177-S)
11	9413314	Locknut (251-N)

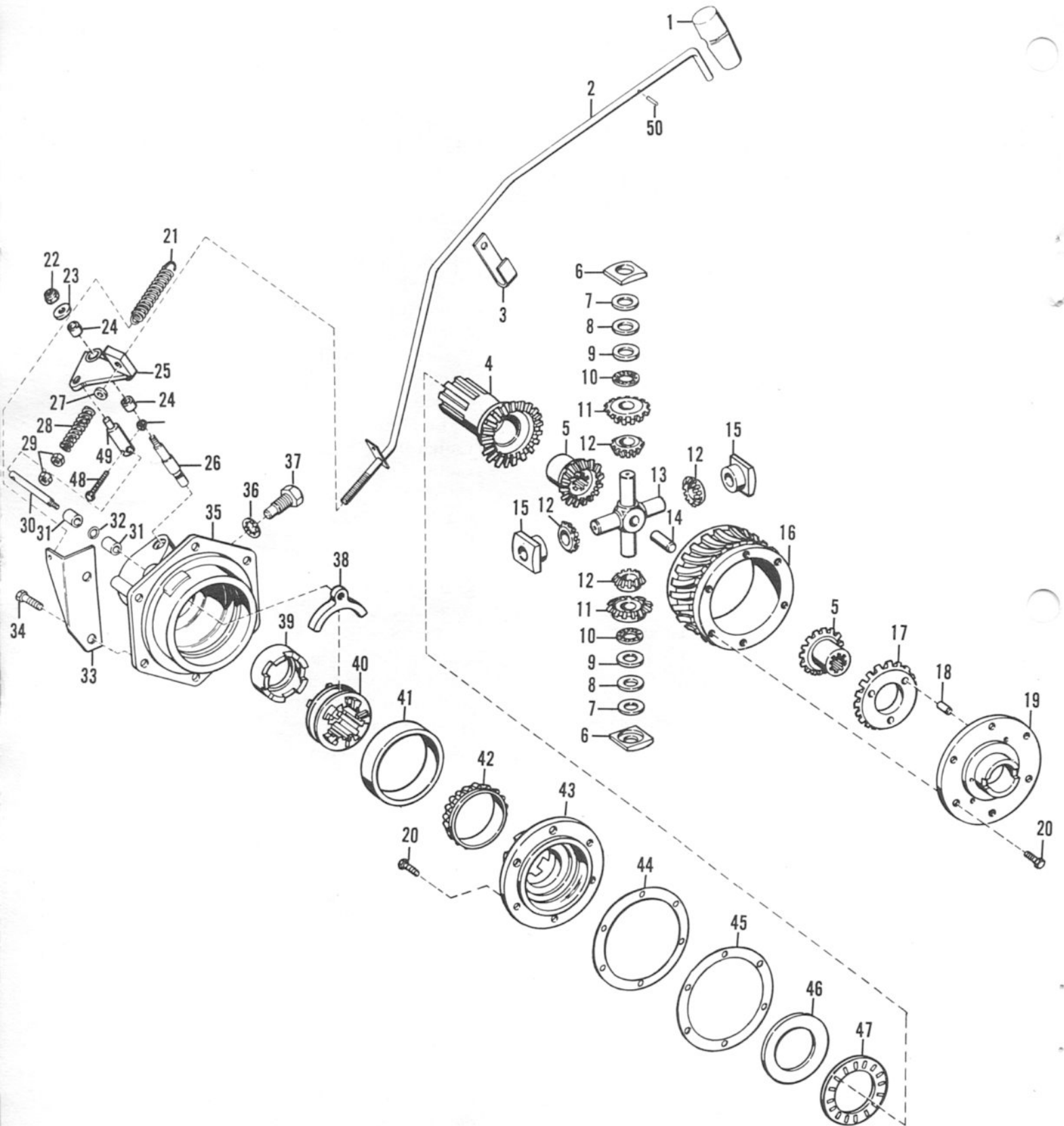
# HANDLE BARS AND CONTROLS



Handle Bars and Controls for Commercial Tractor

Item No.	Parts No.	Description
1	180192	Hex. Hd. Bolt
2	120396	Flat Washer
3	177923	Cotter Pin (609-C)
4	10672Pl	Clevis Pin
5	10670Pl	Control Knob
6	10669Pl	Shifter Rod
7	11985Pl	Forward/Reverse Shifter Rod Support
8	120377	Jam Nut
9	10668Pl	Shifter Rod (Threaded one end)
10	10667Pl	Handle Lever Pivot
11	10657Pl	Handle Bar, Right Hand
12	435507	Locknut
13	10671Pl	Hand Grip
14	436738	Screw (8266)
15	10695Pl	Throttle Control Lever Assembly
16	10658Pl	Handle Bar, Left Hand
17	190254	Lock Nut
18	10666Pl	Hi-Lo Shifter Rod Support
19	11986Pl	Clutch Rod (For/Rev)
20	124925	Clutch Adjustment Nuts
21	124934	Nut
22	12686Pl	Clutch Rod Pivot
23	11779Pl	Spring
24	11327Al	Actuating Shaft Lever (For/Rev)
26	10696Pl	Choke Control
27	14511Al	Generator Lamp
28	10713P2	Ignition Switch Assembly
29	120910	Machine Screw, Hood Bumper (102-S)
30	10654Pl	Hood Bumper, Top
31	10653Pl	Instrument Panel
32	10643Pl	Handle Support Tube
33	120361	Nut, Bumper Screw (207-N)
34	180132	Hex. Hd. Bolt, Handle Support (151-S)
35	10655Pl	Handle Brace
36	180149	Bolt
37	10656Pl	Handle Cross Brace, Diagonal
38	9416107	Lock Nut (253-N)
39	180124	Hex. Hd. Bolt (112-S)
40	120382	Lockwasher (306-W)
41	180151	Bolt
42	11328Al	Hi-Lo Actuating Shaft Lever
43	10733Pl	Clutch Rod (Hi-Lo)
44	131100	Spring Lock Washer Hvy.
45	10933Pl	Attachment Clutch Rod Stop
46	10996Pl	Instrument Panel Brace
47	180018	Instrument Panel Brace Bolt
48	9419454	Instrument Panel Brace Nut (242-N)
49	10885Pl	Starter Button
52	10932Pl	Attachment Throwout Rod
53	121224	Cotter Pin

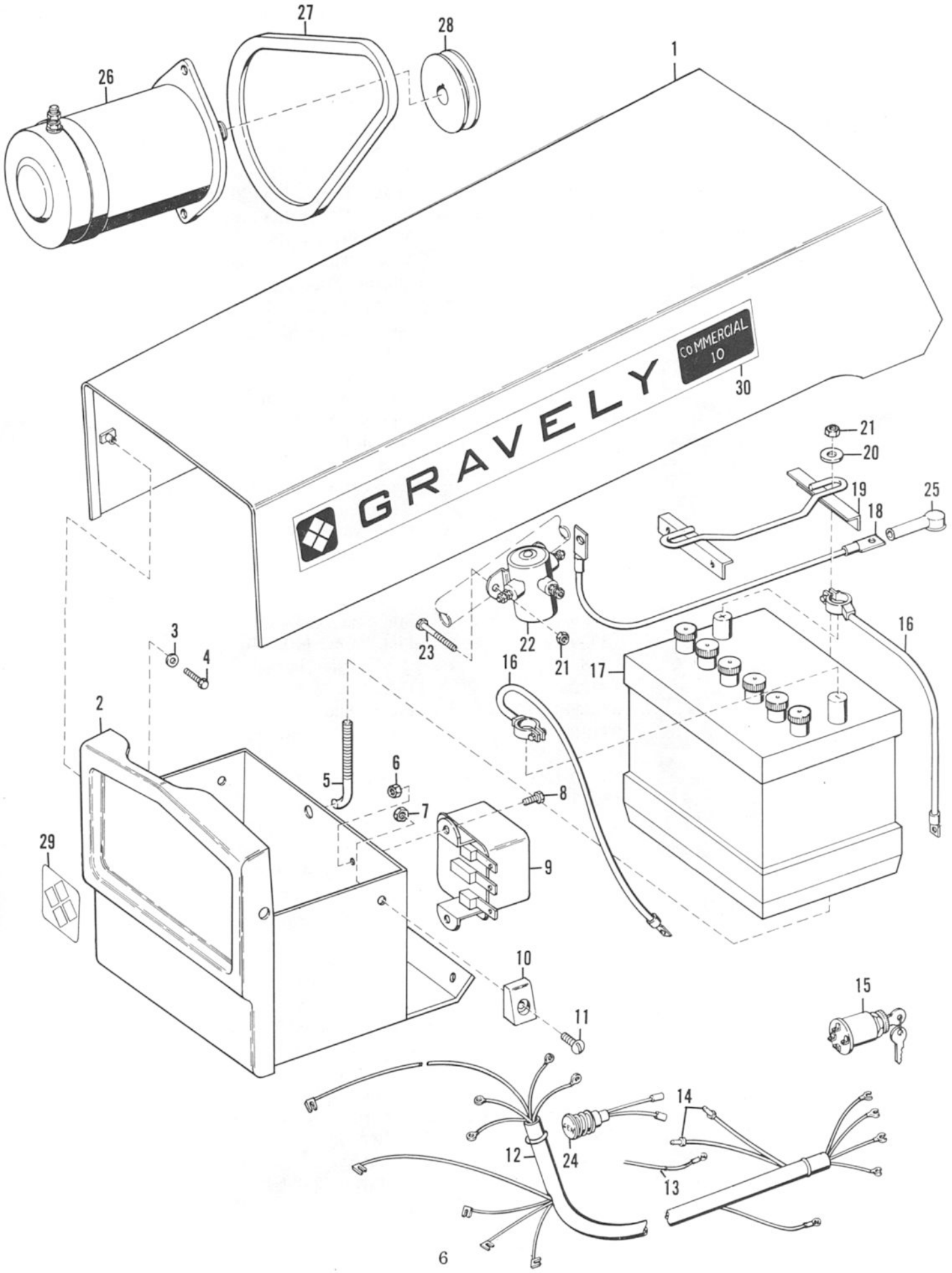
# TWO-SPEED DIFFERENTIAL ASSEMBLY



## Two-Speed Differential Assembly

Item No.	Part No.	Description
1	10683P1	Handle Grip, Swiftamatic
2	10677A1	Control Rod, Swiftamatic
3	10684P1	2-Speed control Retainer
4	6704P1	Shifting Gear
5	6709P1	Differential Gear
6	6715P2	Spider Thrust Washer
7	6738P1	Spider Thrust Shim .020
8	6737P1	Spider Thrust Shim .005
9	6742P1	Needle Thrust Race
10	6741P1	Needle Thrust Bearing
11	6702P1	Shifting Train Pinion
12	6708P1	Spider Gear
13	6710P1	Spider Pin
14	6711P1	Thrust Pin
15	6752P1	Differential Thrust Spacer
16	6705P1	8-Lead Worm Gear
17	6703P1	Pinned Gear
18	6714P1	Dowell Pin
19	6716P2	Pinned Housing
20	180077	Hex. Hd. Cap Screw (5CH6C)
21	10681P1	Extension Spring
22	9415988	Lock Nut
23	120393	Flat Washer
24	6724P2	Pivot Bushing
25	6723A1	Shifter Arm
26	10505P1	Stationary Pivot Pin
27	120394	Flat Washer (403-W)
28	10682P1	Compression Spring
29	124925	Hex. Nut
30	6721P1	Clutch Sliding Pin
31	6713P2	"O" Ring Retainer
32	6732P1	"O" Ring
33	10680P1	Spring Bracket
34	180173	Hex. Hd. Bolt (160-S)
35	10381P2	Axle Housing 2-Speed
36	138557	Shake Proof Lockwasher (309-W)
37	6734P2	Stationary Clutch Bolt
38	6719P1	Shifting Yoke
39	6720P1	Stationary Clutch
40	6718P1	Shifting Clutch
41	12500P1	Bearing Race
42	12501P1	Bearing Cone
43	6717P1	Clutch Housing
44	6739P1	Clutch Housing Shim .005
45	6740P1	Clutch Housing Shim .020
46	6744P1	Needle Thrust Race
47	6743P1	Needle Thrust Bearing
48	106322	Hex. Hd. Bolt (185-S)
49	6726P1	Shifter Pin
50	9423664	Spring Pin
51	9419454	Lock Nut (242-N)

# GRILL AND ELECTRICAL COMPONENTS

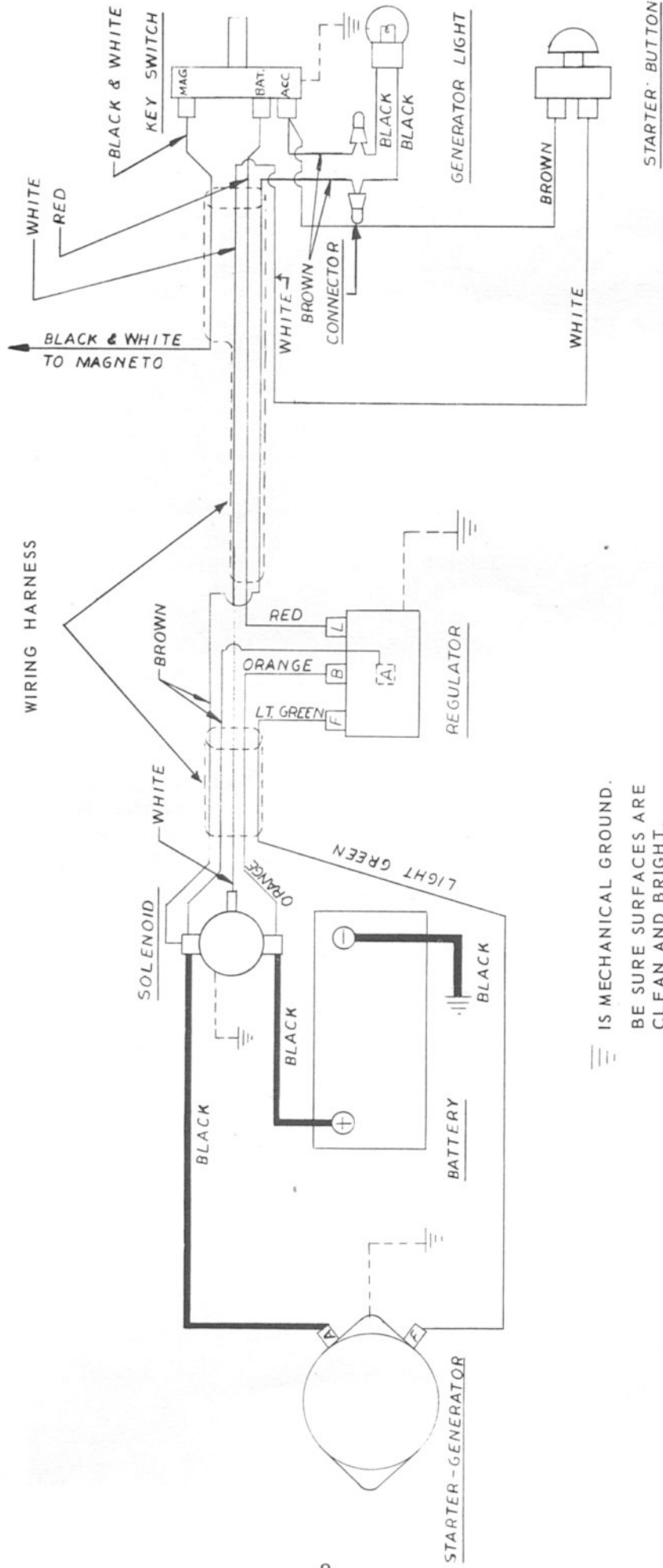


Grill and Electrical Components Commercial Tractor

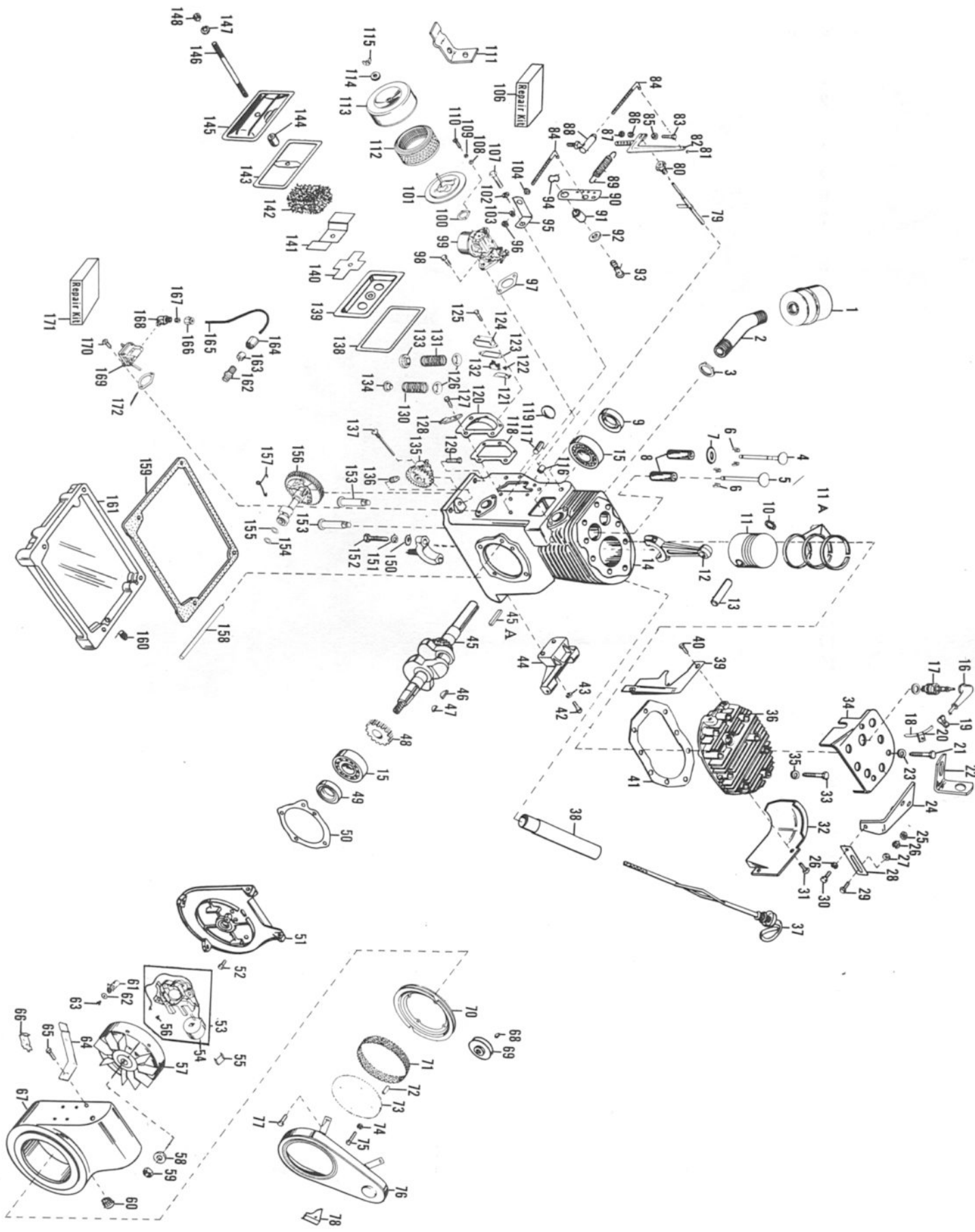
Item No.	Part No.	Description
1	10650P2	Hood
2	10644A2	Grille
3	120392	Flat Washer
4	180016	Hex. Hd. Bolt
5	10632P1	Battery Hold Down Hook
6	120375	Hex. Nut
7	120376	Hex. Nut
8	180016	Hex. Screw
9	7275	Voltage Regulator
10	10652P1	Hood Bumper
11	125681	Machine Screw
12	10634P1	Wiring Harness Assembly
13	10629P1	Cable Tie
14	6913P1	Sta/-Kon Connector
15	10713P2	Ignition Switch
16	10631P1	Battery Cable
17	7274	Battery 12V
18	6981P2	Solenoid to Starter Cable
19	10633P1	Battery Hold Down
20	446354	Flat Washer, Cad.
21	120375	Hex. Nut, Cad.
22	7277P1	Solenoid Switch
23	180042	Hex. Hd. Bolt
24	14511A1	Generator Lamp
25	1726P1	Rubber Cover - St. Cable End
NS	7270	Battery Electrolyte Fluid
26	10715A1	Starter-Generator
27	10860P1	Starter-Generator Belt
28	10716P1	Starter-Generator Pulley
-----		
		DECALS
29	10697P1	Comm. 10 Trademark Decal
30	10698P1	Comm. 10 Hood Decal
NS	10862P1	Air Cleaner Inst. Decal



WIRING DIAGRAM - COMMERCIAL 10



Note: ON KEY SWITCH TERMINALS, the LETTER "M" is stamped on the Switch at the Terminal. BE SURE MAGNETO WIRE (BLACK AND WHITE STRIPED) is CONNECTED TO the Terminal marked "M".



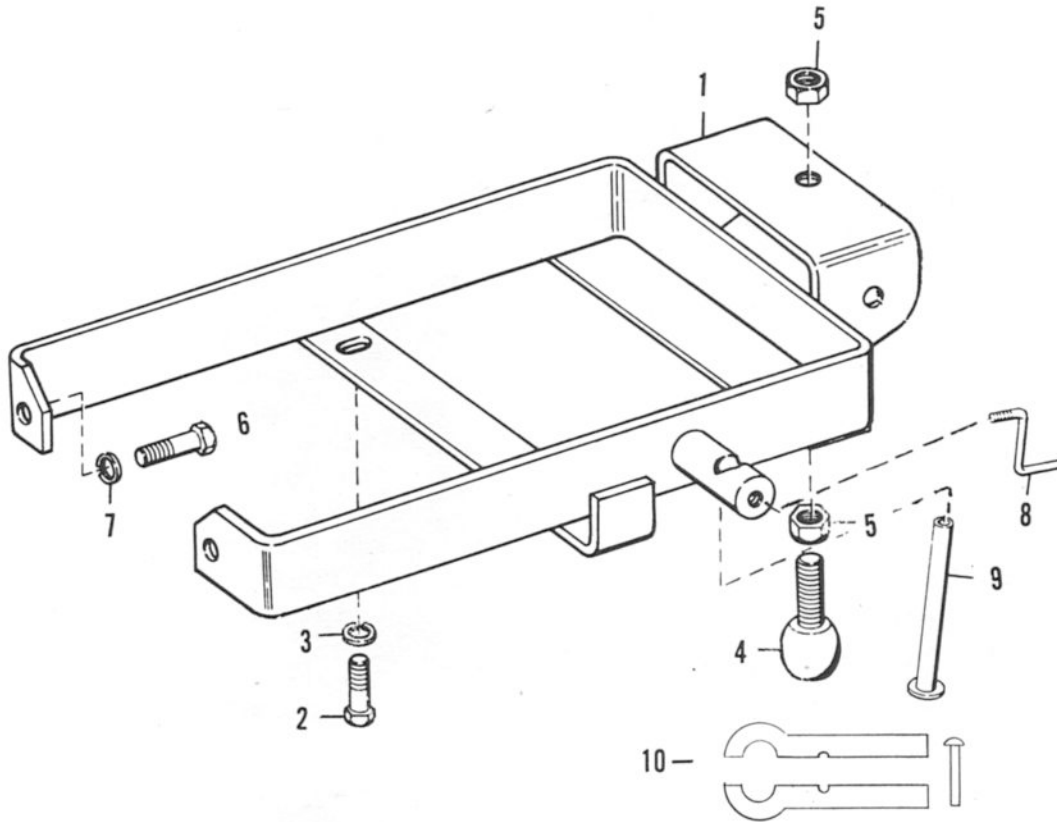
Item No.	Part No.	Description
1	8227Pl	Muffler
2	10812Pl	Tube, Exhaust
3	10866Pl	Locknut
4	10777Pl	Valve, Exhaust
5	10776Pl	Valve, Intake
6	10785Pl	Keeper, Valve
7	10786Pl	.005 Camshaft Spacer
	10787Pl	.010 Camshaft Spacer
8	11646Pl	Valve Guide
9	10799Pl	Seal, Rear Oil
10	10856Pl	Piston Pin Retainer
11	10854Al	Piston Assembly Std.,w/Pin & Retainers
11	10957Al	Piston w/Pin & Retainer .010
11	10958Al	Piston w/Pin & Retainer .020
11	10959Al	Piston w/Pin & Retainer .030
11 - A	10857Pl	Ring Set, Std.
11 - A	10858Pl	Ring Set, .010
11 - A	10859Pl	Ring Set, .020
11 - A	11325Pl	Ring Set, .030
12	10851Al	Connecting Rod Assembly w/Hardware
13	10855Pl	Piston Pin
14	10793Al	Cylinder Block Assembly
15	10794Pl	Ball Bearing
16	1726Pl	Spark Plug Nipple
17	10842Pl	Spark Plug
18	10844Pl	Lead Wire
19	10837Pl	Clip, Cable
20	10847Pl	Clip, Cable
21	180126	Head Bolt, Long 3/8x16x2-1/2 Hex Head
23	10805Pl	Washer
24	10808Pl	Starter Motor, Upper Support
25	120376	5/16-18 Plain Hex Nut
26	120214	5/16 Spring Lock Washer (103 320)
27	120376	5/16-18 Plain Hex Nut
28	10810Pl	Starter Adjusting Bracket
29	180079	5/16-18x1" Hex Head Bolt
30	180077	5/16-18x 3/4" Hex Head Bolt
31	180020	1/4-120 x 3/4"Hex Head Bolt
32	12029Pl	Cylinder Baffle
33	180134	3/8-16 x 2-1/4 Hex Head Bolt
34	12027Pl	Head Baffle
35	10805Pl	Washer
36	12035Pl	Cylinder Head
37	10806Al	Dip Stick
38	10807Pl	Oil Fill Tube
39	10763Pl	Side Air Baffle
40	180020	1/4-20 x 3/4" Hex Head Bolt

Item No.	Part No.	Description
41	10803Pl	Cylinder Head Gasket
42	180121	3/8-16 x 7/8" Hex Head Bolt
43	138542	3/8-Spring Lock Washer
44	10809Pl	Starter, Lower Support
45	10801Pl	Crankshaft
45 - A	124546	Key
46	124546	Key
47	124546	Key
48	10734Pl	Gear
49	10800Pl	Front Oil Seal
50	10796Pl	Bearing Plate Gasket
51	10795Pl	Bearing Plate
52	180122	3/8-16 x 1 Hex Head Bolt
53	10843Al	Magneto Starter Assembly
54	10997Pl	Coil
55	11652Pl	Clip
56	133556	10-24 x 3/8 Flat Head Machine Screw
57	10813Al	Flywheel Assembly
58	10953Pl	Washer
59	10952Pl	Hex Head Lock Nut
60	10922Pl	Button Plug
61	10845Pl	Condenser
62	131015	Flat Washer
63	144811	No. 10 Sheet Metal Screw
64	10789Pl	Choke Bracket
65	180020	1/4-20 x 3/4 Hex Head Bolt
66	7331Pl	Clip
67	10762Pl	Blower Housing
68	124546	Key
69	10716Pl	Pulley
70	10816Pl	Electric Starter Pulley
71	10815Pl	Cylinder Screen
72	10817Pl	Spacer
73	11830Pl	Screen Cover
74	120423	Lock Washer
75	180020	1/4-20 3/4 Hex Head Bolt
76	10861Pl	Belt Guard
77	180018	1/4-20 1/2 Hex Head Bolt
78	10888Pl	Deflector
79	10829Al	Governor Cross Shaft Assembly
80	10826Pl	Bushing
81	10827Pl	Rod Retainer Clip
82	10825Pl	Lever, Governor
83	180033	Hex Head Bolt
84	10828Pl	Throttle Rod
86	10954Pl	Flat Washer
87	109084Pl	Nut
88	10821Pl	Ball Joint
89	10824Pl	Governor Spring

Item No.	Part No.	Description
90	10830Pl	Speed Control Bracket
91	10831Pl	Spacer
92	10836Pl	Thrust Washer
93	10834Pl	Swivel Wire Clamp
94	10822Pl	Tension Spring
95	10832Pl	Adj. Screw Bracket
96	120217	Lock Washer
97	10790Pl	Carburetor Gasket
99	10788Al	Carburetor
100	10760Pl	Air Cleaner Gasket
101	10949Pl	Air Cleaner Base
102	120614	Hex Nut
103	120217	Lockwasher
104	120614	Hex Nut
106	10792Al	Carburetor Repair Kit
107	121913	Hex Head Bolt
108	10921Pl	Flat Washer
109	120217	Lockwasher
110	133624	Screw
111	10953Pl	Throttle Bracket
112	10900Pl	Air Cleaner Element
113	10901Pl	Air Cleaner Cover
114	10946Pl	Sealing Washer
115	10413Pl	Wing Nut
116	11647Pl	Needle Bearing
117	11648Pl	Governor Shaft
118	10798Pl	Camshaft and Cover Gasket
119	10948Pl	Expansion Plug
120	10797Pl	Camshaft Cover
121	11649Pl	Breaker Point Bracket
122	10956Pl	Screw
123	10839Pl	Gasket
124	10841Al	Breaker Cover
125	180022	Hex Head Bolt
126	10780Pl	Upper Spring Retainer
127	180016	Hex Head Bolt
128	10837Pl	Cable Clip
129	180124	Hex Head Bolt
130	10778Pl	Intake Valve Spring
131	10779Pl	Exhaust Valve Spring
132	10853P2	Point Set
133	10782Pl	Valve Rotator
134	10781Pl	Intake Valve Spring Retainer
135	10823Al	Governor Gear Assembly
136	103867	Plug
137	10833Pl	Governor Stop Pin
138	10770Pl	Valve Cover Gasket
139	10767Al	Breather Plate Assembly
140	10771Pl	Breather Reed

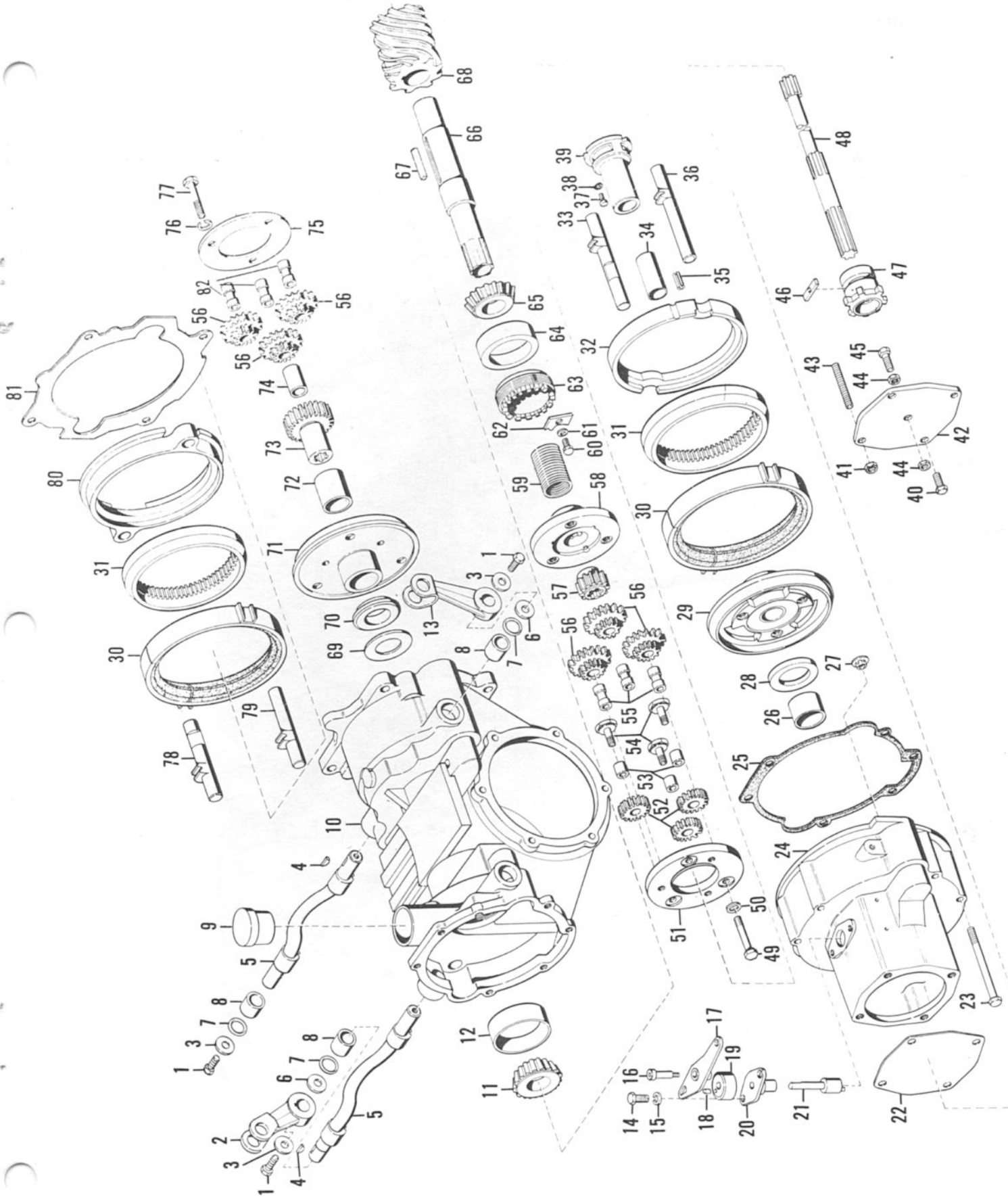
Item No.	Part No.	Description
141	10769Pl	Breather Baffle
142	10768Pl	Breather Filter
143	10773Pl	Breather Gasket
144	10772Pl	Breather Seal
145	10766Pl	Valve Cover
146	10774Pl	Valve Cover Stud
147	120214	Lock Washer
148	120375	Nut
150	120394	Flat Washer
151	120382	Lock Washer
152	10852Pl	Connecting Rod Bolt
153	10784Al	Tappet Assembly
154	10787Pl	Camshaft Spacer .010
155	10786Pl	Camshaft Spacer .005
156	10775Al	Camshaft Assembly
157	10947Pl	Actuating Spring
158	10783Pl	Camshaft Pin
159	10849Pl	Oil Pan Gasket
160	103867	Plug
161	10848Pl	Oil Pan Base
162	10936Pl	Connector
163	10934Pl	Sleeve
164	10935Pl	Nut
165	11650Pl	Fuel Line
166	13571Pl	Nut
167	13572Pl	Sleeve
168	13066Pl	Elbow
169	11651Al	Fuel Pump
171	10931Al	Repair Kit, Fuel Pump
172	10820Pl	Fuel Pump Gasket
NS	10938Al	Gasket Set

# DRAW BAR AND IMPLEMENT HITCH



Item No.	Part No.	Description
1	10 750 A1	Draw Bar Weldment
2	180122	Hex. Hd. Bolt (111-S)
3	120382	Spring Lock Washer (306-W)
4	12570P1	Ball Stud
5	124944	Hex. Jam Nut (218-N)
6	180149	Bolt, Hex. Hd.
7	131100	Lockwasher
8	13457P1	Handle
9	6027P1	Stand
10	12572P1	Split Socket

COMMERCIAL TRACTOR TRANSMISSION





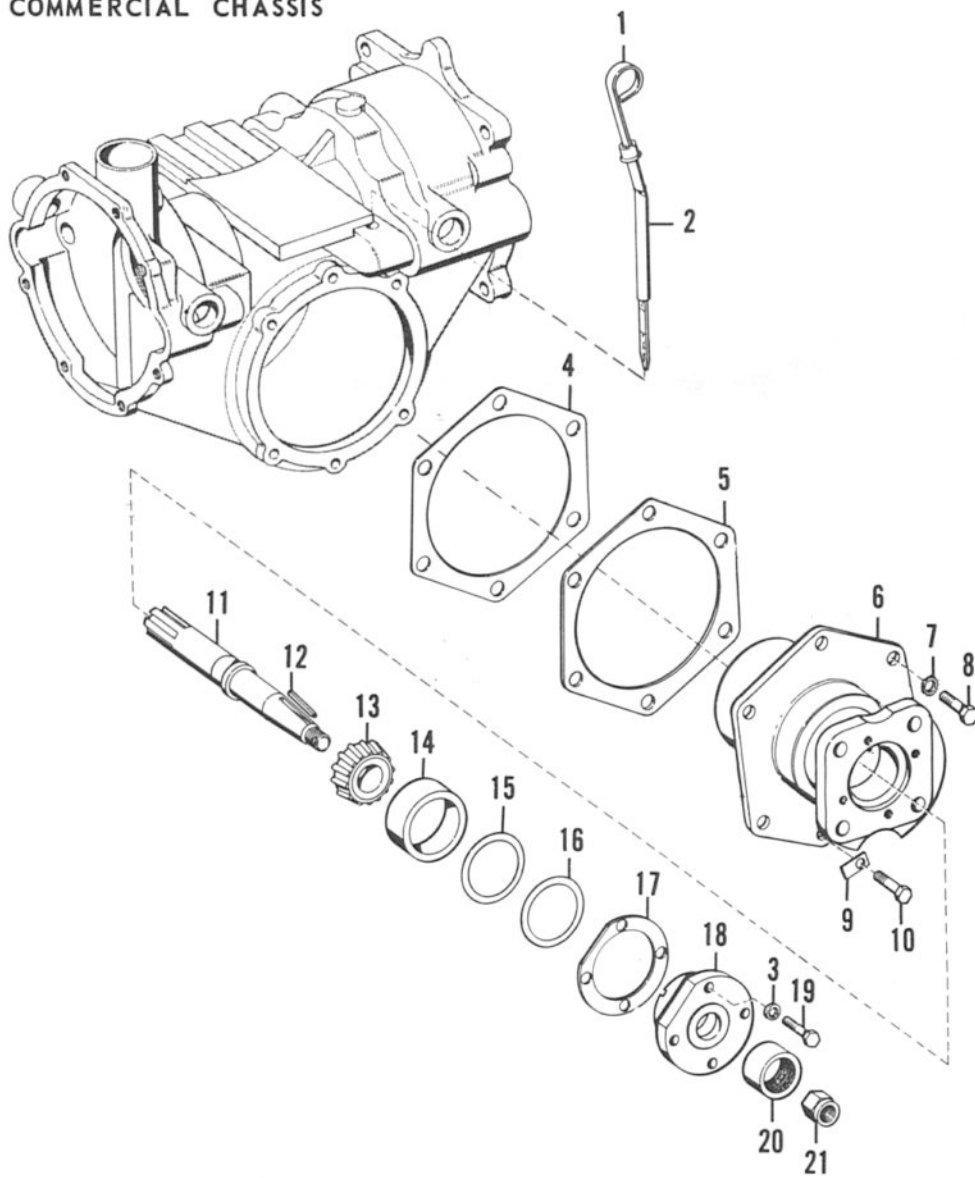
Commercial Tractor Transmission

Item No.	Part No.	Description
1	180016	Hex. Hd. Bolt (164-S)
2	11327A1	Actuating Shaft Lever
3	446477	Washer
4	124545	Woodruff Key (Actuating Shaft)
5	10625P1	Actuating Shaft
6	10714P1	Washer
7	10663P1	"O" Ring
8	10618P1	Actuating Shaft Bushing
9	10617P1	Oil Filter Pull Plug
10	10628P1	Chassis Casting
11	10389A1	Worm Shaft Bearing Cone, Engine Side
12	10390P1	Worm Shaft Bearing Race, Engine Side
13	11328A1	Actuating Shaft Lever
14	180075	Hex. Hd. Bolt
15	120214	Spring Lock Washer (313-W)
16	10692P2	Screw (Shoulder Bolt)
17	12122P1	Shifter Arm
18	455481	Roll Pin (HE-102)
19	10688P1	Shifter Body
20	10687P2	Shifter Shaft Guide
21	10686P1	Shifter Shaft
22	5056P1	Attachment Gasket
23	180735	Advance Casting Bolt (L-207)
24	14920A1	Advance Casting
25	12591P1	Chassis Front Gasket
28	12646P1	Front Thrust Plate
29	12654P1	Reverse Cone
30	12644A1	Clutch Cup
31	12632P1	Internal Gear
32	12636P1	Gear Cup
33	12678P1	Clutch Slide Rod, Long, Right
34	12662P1	Pinion Shaft Bearing
35	13456P1	Roll Pin
36	12677P1	Clutch Slide Rod, Long, Left
37	180016	Quill Securing Bolt
38	120423	Shake Proff Washer (303-W)
39	14923A1	Pin Plate Quill
40	180175	Attachment Bolt (152-S)
41	120378	Hex. Nut for Stud (211-N)
42	14908A1	Attachment Boss Plate
43	10619P2	Attachment Stud
44	120377	Hex. Nut (205-N) for Boss Plate Bolt

Commercial Tractor Transmission

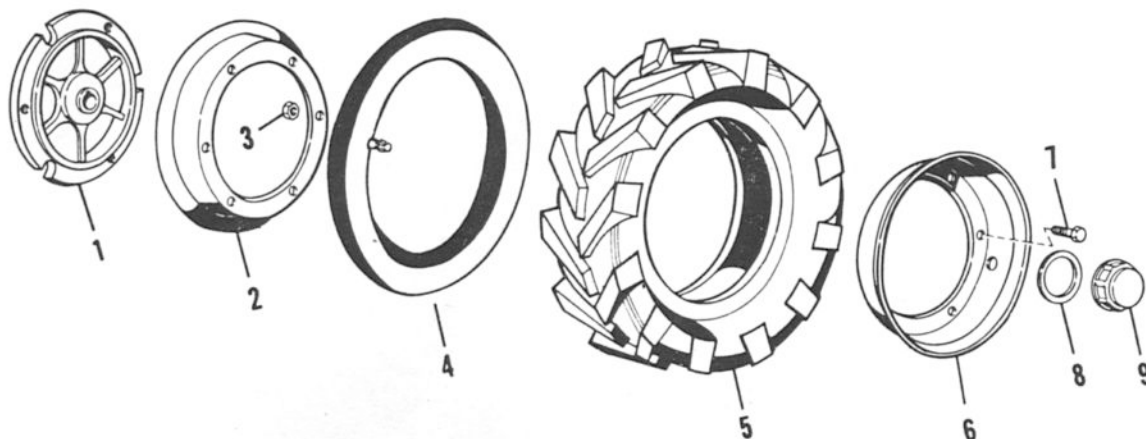
Item No.	Parts No.	Description
45	180132	Hex. Hd. Bolt, (151-S) for Boss Plate
46	12601Pl	Dog Block
47	12660Pl	Clutch Dog
48	11298Pl	Pinion Shaft
49	12643Pl	Spacer Bolt Front Pin Plate
50	138542	Spacer Lock Washer
51	12655Pl	Front Pin Spacer
52	12656Pl	Reverse Idler
53	12657Pl	Reverse Idler Bushing
54	12658Pl	Reverse Idler Bolt
55	12640Pl	Orbit Gear Pin
56	12639Pl	Orbit Gear
57	12637Pl	Sun Pinion
58	12633P2	Front Pin Plate
59	12663Pl	Pin Plate Spacer Spring
60	180018	Hex. Hd. Bolt (164-S)
61	120423	Shakeproof Washer (303-W)
62	12648Pl	Adjusting Nut Lock
63	12635Pl	Bearing Adjusting Nut
64	12333Pl	Bearing Race
65	12332Pl	Bearing Cone
66	12647Pl	Worm Shaft
67	12668Pl	Worm Shaft Key
68	13496Pl	Worm Gear Regular
70	12645Pl	Rear Thrust Plate
71	10472Al	Rear Pin Plate
72	12652Pl	Rear Pin Plate Bushing
73	11707Al	Sun Gear
74	14220Pl	Sun Gear Bushing
75	12641Pl	Pin Spacer
76	13413Pl	Lock Washer
77	12642Pl	Hex. Bolt Lefthand, Rear Pin Plate
78	12680Pl	Clutch Slide Rod, Short, Right
79	12679Pl	Clutch Slide Rod, Short, Left
80	12649Pl	Rear Spacer
81	10635Pl	Motor-to-Chassis Gasket
82	11630Pl	Bronze Orbit Gear Pin

COMMERCIAL CHASSIS



Item No.	Part No.	Description
1	10622A1	Dip Stick Assm.
2	10586P1	Dip Stick Guide
3	138538	Bearing Cap Lock Washer (304-W)
4	12595P1	Shim (.005 .020) as req'd.
5	12597P1	Gasket
6	10380P1	Axle Housing
7	120384	Lock Washer (308-W)
8	180173	Axle Housing Bolt (160-S)
9	12594P1	Oil Drain Nylon Washer
10	13624P1	Axle Housing Drain Bolt (Nylon Plugged)
11	10377P1	Axle
12	12672P1	Axle Key
13	9246P1	Axle Bearing Cone
14	9245P1	Axle Bearing Race
15	10382P1	Shim .020
16	10383P1	Shim .005
17	10384P1	Bearing Cap Gasket
18	10379P1	Bearing Cap
19	180077	Bearing Cap Bolt (126-S)
20	12590P1	Bearing Cap Oil Seal (Double)
21	13412P1	Axle Nut

# WHEEL ASSEMBLY



Item No.	Part No.	Description
1	12671Pl	Wheel Hub
2	12674Pl	Inner Rim
3	124829	Rim Bolt Nuts
4	13573Pl	Tractor Tire Tube
5	13835Pl	Tractor Tire, sure grip or studded
6	12673Pl	Outer Rim, (with valve hole)
7	180118	Rim Bolts
8	12670Pl	Hub Cap Washer
9	13505Pl	Hub Cap