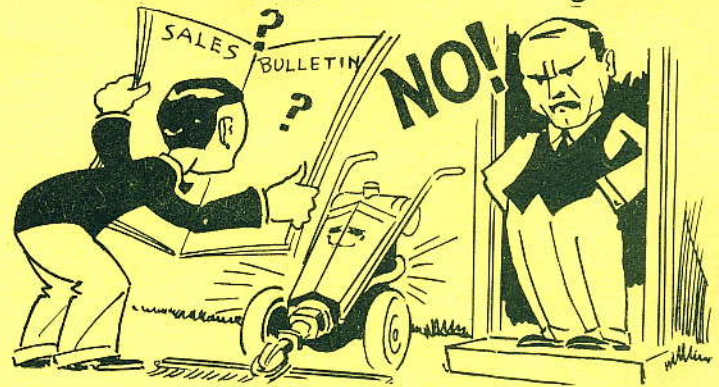


GRAVELY BULLETIN

sales information



BULLETIN NO: 564
DATE : March 15, 1955
TO : All Distributors and Dealers.
SUBJECT : Installation Instructions for the Gravely Starter.

The FOB Factory List price of \$60.00 for the Starter complete, (but less battery) is based on the 5745 Fan Drive Pulley that is removed from the tractor being returned to the factory. The 5745 is not needed with the Starter.

Accumulate until about 100 pounds, then send to Dunbar by truck, freight charges collect. (No credit will be allowed, as the credit has already been allowed in the price of 60.00).

INSTALLATION NOTE:

No lubrication is required for any part of this assembly at installation.

The clutch assembly and the Starter Motor have "lifetime Lubricated" sealed bearings.

When you service the Clutch assembly at some future time, remember that the only lubrication required for the Rollers in the Clutch Assembly is a small amount of powdered Graphite. If you lubricate with oil or grease, the Clutch will not engage.

REMEMBER: No lubrication is required at installation or during the use of the Starter unless breakage or wear at some future time force the installation of repair parts.

GRAVELY ELECTRIC STARTER

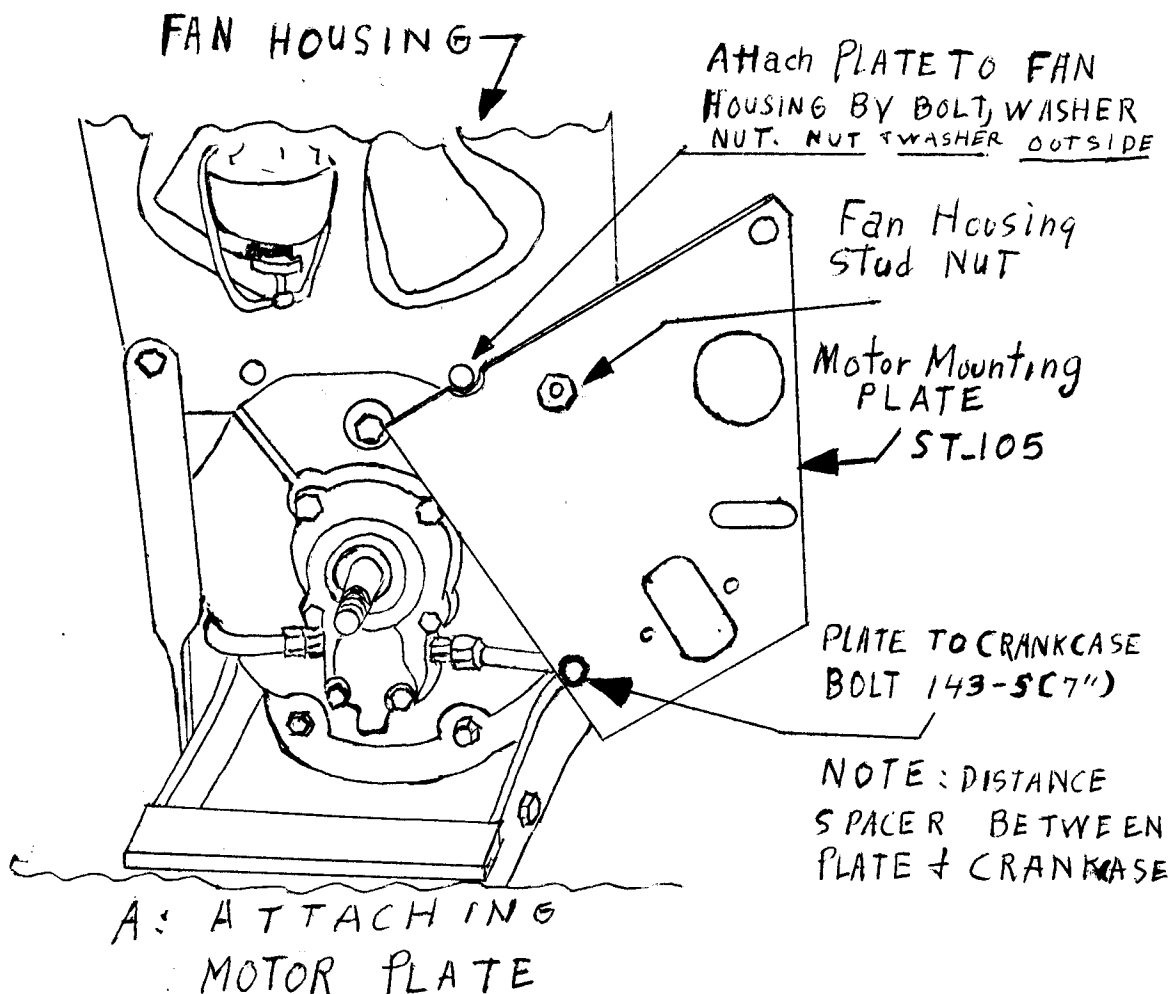
INSTALLATION INSTRUCTIONS: March 10, 1955

ASSEMBLY OF MOTOR MOUNTING PLATE TO TRACTOR

- a. Remove Fan Drive Pulley from Tractor. (This is to be returned to the factory by Dealer.)
- b. See Sketch A. Remove (as you face rear of tractor) right hand Fan Housing Stud Nut, and Crankcase Bolt as shown on Sketch.
- c. Fit mounting plate as shown. A Distance Spacer (Part Number L-514) is used between Motor Mounting Plate and Crankcase. The Plate and Spacer are attached to the tractor by a special long Crankcase Bolt furnished. (Part Number 143-S.)
- d. Insert the 3/8 x 7/8" Hex Head Bolt (Part Number 110-S) through the Fan Housing at point shown on sketch. Use a 3/8" Flat Washer (Part Number 403-W) on the outside of the plate, secure with the Motor Mounting Plate Bolt Nut (Part Number 205-N)
- e. Replace Fan Housing Stud Nut.
- f. WITH REAR HITCH ATTACHED TO TRACTOR:

In step (a), remove the right hand (facing tractor from rear). Rear Hitch Brace and proceed as above through (e).

After Replacing Fan Housing Stud Nut, a special Rear Hitch Brace (a small, right-angled bracket) is attached to the bottom Crankcase Bolt and the Rear Hitch.

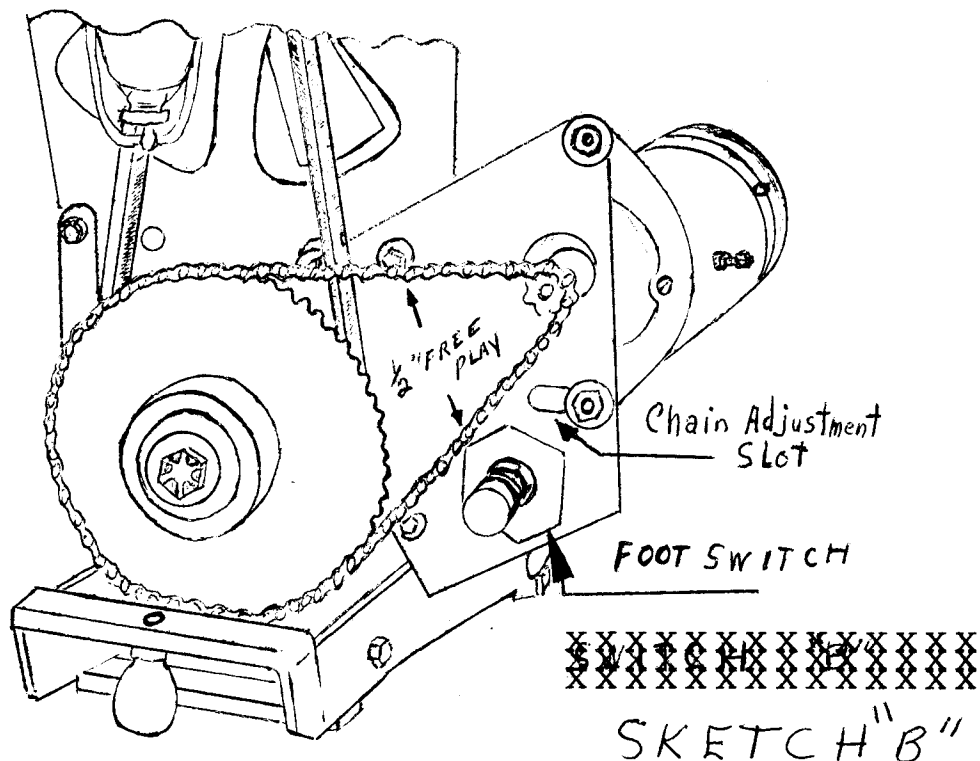


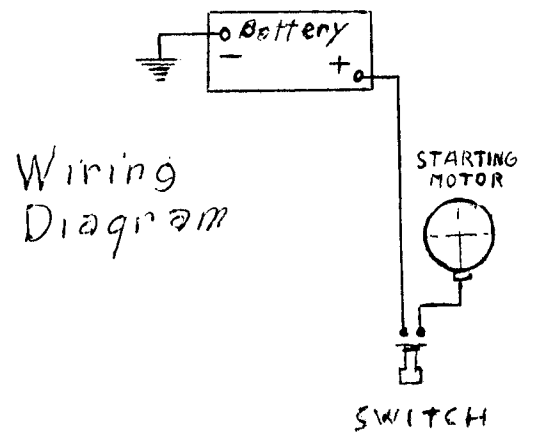
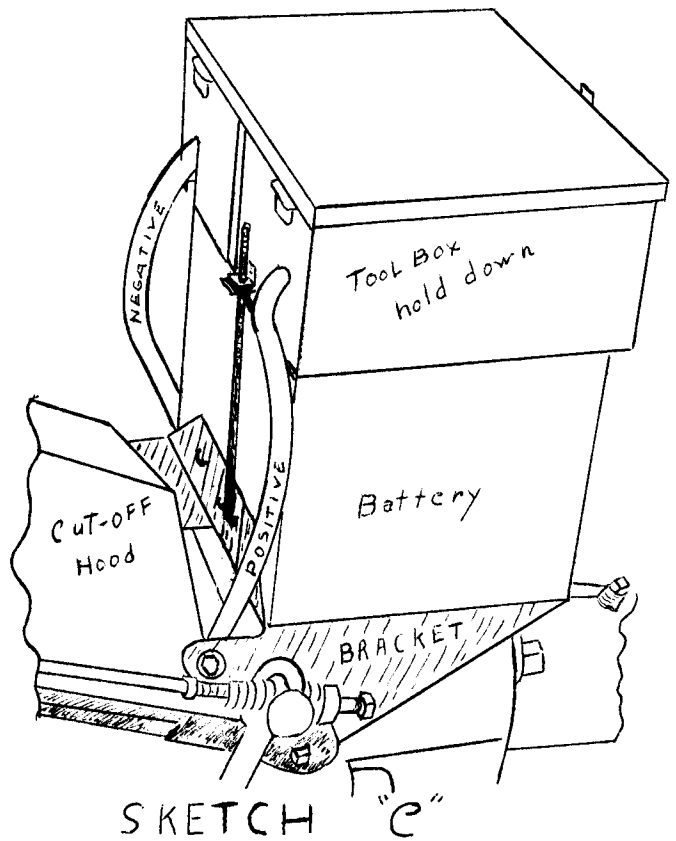
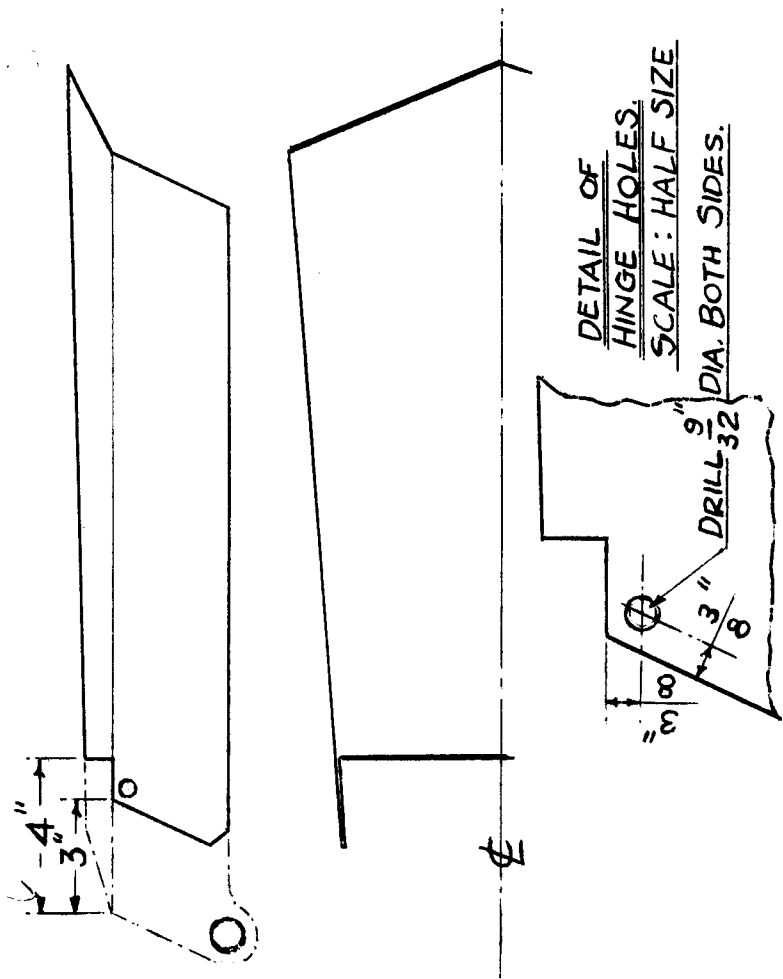
GRAVELY ELECTRIC STARTER

INSTALLATION INSTRUCTIONS: March 10, 1955

2. ASSEMBLY OF MOTOR CLUTCH AND SPROCKET

- a. The Motor has the small motor Sprocket attached. Insert motor assembly into Motor Mounting Plate as shown on Sketch B.
- b. Mount with the heads of the Motor Mounting Bolts on the Motor side of the Bracket, for easy assembly. Washers must be under Nuts. Leave both Nuts loose for adjustment.
- c. Press Fan Drive Pulley on Shaft. Put on Fan Belt. Place Spacing Washer, (ST-116, Size: 1-5/16 OD.) on shaft.
- d. Screw 60 Tooth Sprocket and Clutch Assembly in place on shaft with Sprocket to tractor. Use the other ST-116 Washer. Secure with the Drive Nut Bolt (Hexagon, keyed head)(Part Number 142-S.)
- e. The Sprocket and Clutch Assembly may not fit snug against the Fan Drive Pulley and Spacing Washer on some Tractors, when you screw it on by hand. However, after completing assembly, including hooking up the battery, the first time Starting Motor turns over it will pull the Sprocket into position. No other adjustment is necessary.
- f. Put the Chain on the Motor Sprocket and the 60 Tooth Sprocket. Adjust by swinging Motor Assembly right or left. Chain should have 1/2 inch free play in center. After adjustment is made, tighten Motor Mounting Nuts.
- g. Insert Starter Switch into Bracket in the rectangular Slot, from the Rear of the Tractor. Secure with Switch Mounting Bolts and Nuts.





3. MOUNTING BATTERY BRACKET, HOLD-DOWN TOOLBOX

- a. First remove the bolts holding the hood and the handles to the Advance Casting.
- b. Cut down the hood according to Sketch D.
- c. Remove the top two bolts in the Advance Casting. Set the Attachment Clutch Lever at a straight ahead position.

- d. Spacing washers (Size 5/16") must be used between Bracket and Advance Casting to insure a solid holding action between Bracket and Casting. You will find it easier to position the Bracket by putting the washers in place and holding them in the recess (Spot Facing) over the Bolt Holes with Scotch Tape or Masking Tape.
- e. On the Battery Bracket is a bent-down portion on the bottom, rectangular in shape, with two holes drilled in it. Insert the Battery Bracket Mounting Bolts (Part No. 144-S, Size 4/16" x 3-1/4") into the holes. Place your hand through the cut-out hole to hold these bolts in place, and set the Bracket in position. Tighten the Mounting Bolts finger tight.
- f. Attach Hood to Battery Mounting Bracket by the small bolts, nuts and washers.
- g. Attach Handles, running the Handle Bolts through the large holes in the Battery Mounting Bracket.
- h. Tighten all bolts tight.

Mounting Battery and Toolbox Hold-Down

- a. Any 6 VOLT Automobile or Tractor Group 1 Battery may be used.
- b. Set Battery in place, positive side on the same side of the Tractor as the Starting Motor.
- c. Attach Cables. (See Wiring Diagram)
- d. Set Toolbox in place, with Slots facing the rear of the Tractor.
- e. Place long L shaped Hold-down Bolts in place, hooking the short leg of the L in the punched out holders in the Battery Bracket. One on front and one on the back of the Battery.
- f. Tighten Hold-down Bolts until Toolbox and Battery are firm.
- g. ADJUSTING BATTERY FOR VISIBILITY

Normally visibility will not be affected greatly by the Battery position. However, when using the Rotary Plow and in some cases the Cultivator, view will be obstructed on close work.

The Battery may be shifted to the left (as you face rear of tractor) by moving the hold down bolts and the Battery to the slots closest to the left side of the Bracket. This will give an unobstructed view of Rotary Plow operation, and will help in close cultivation.