

326400 to 326499

Illustrated Parts List

Industrial/Commercial

Model Series

326400 to 326499

TYPE NUMBERS

0010 through 0080
0110 through 0399
0611 and
0630 through 0760
2520 through 2563
2580 through 2582
and 2596

TO FIND

THE CORRECT NUMBER OF THE PART YOU NEED:

FOLLOW THE INSTRUCTIONS BELOW

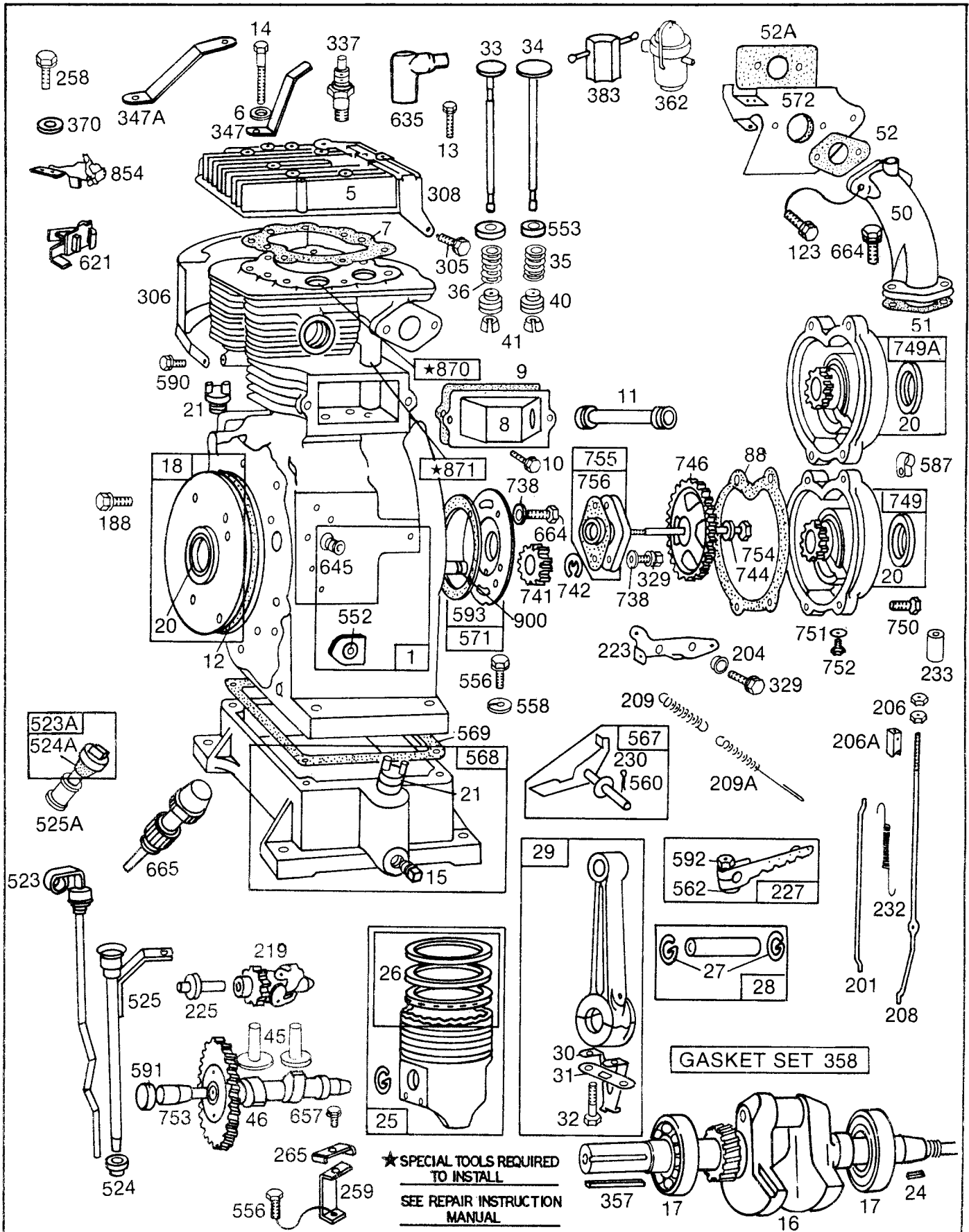
- A. Refer to Engine Model, Type and Code Number that is stamped on the blower housing of engine. Engine type numbers such as 012301 are listed herein only as 0123. The two digits (01 or 02, etc.) to the right of the space are not needed for parts identification. Then use the Illustrated Parts List covering the Model Series.
- B. Refer to Illustrated Parts section and compare the old part with illustration. The number on the illustration is the Reference Number. Assemblies include all parts shown in frames. All parts shown in assembly frames on which individual reference numbers are given can be purchased separately.
- C. After the Reference Number has been identified, refer to the Numerical Parts List, where Reference and Master Part Number are listed. **THE MASTER PART IS USED ON ALL TYPE NUMBERS EXCEPT THOSE TYPE NUMBERS UNDER "NOTE"**.
- D. If a "Note" appears below the Master Part Number, this means that this part differs from the Master Part for certain types. If the Type number is listed under "Note", order the part referred to.
- E. If the Engine Type Number does not appear after any part number listed under "Note", use the Master Part Number.
- F. For Type Numbers higher than those covered by this book, please refer to the factory if you are unable to identify the part by comparison.

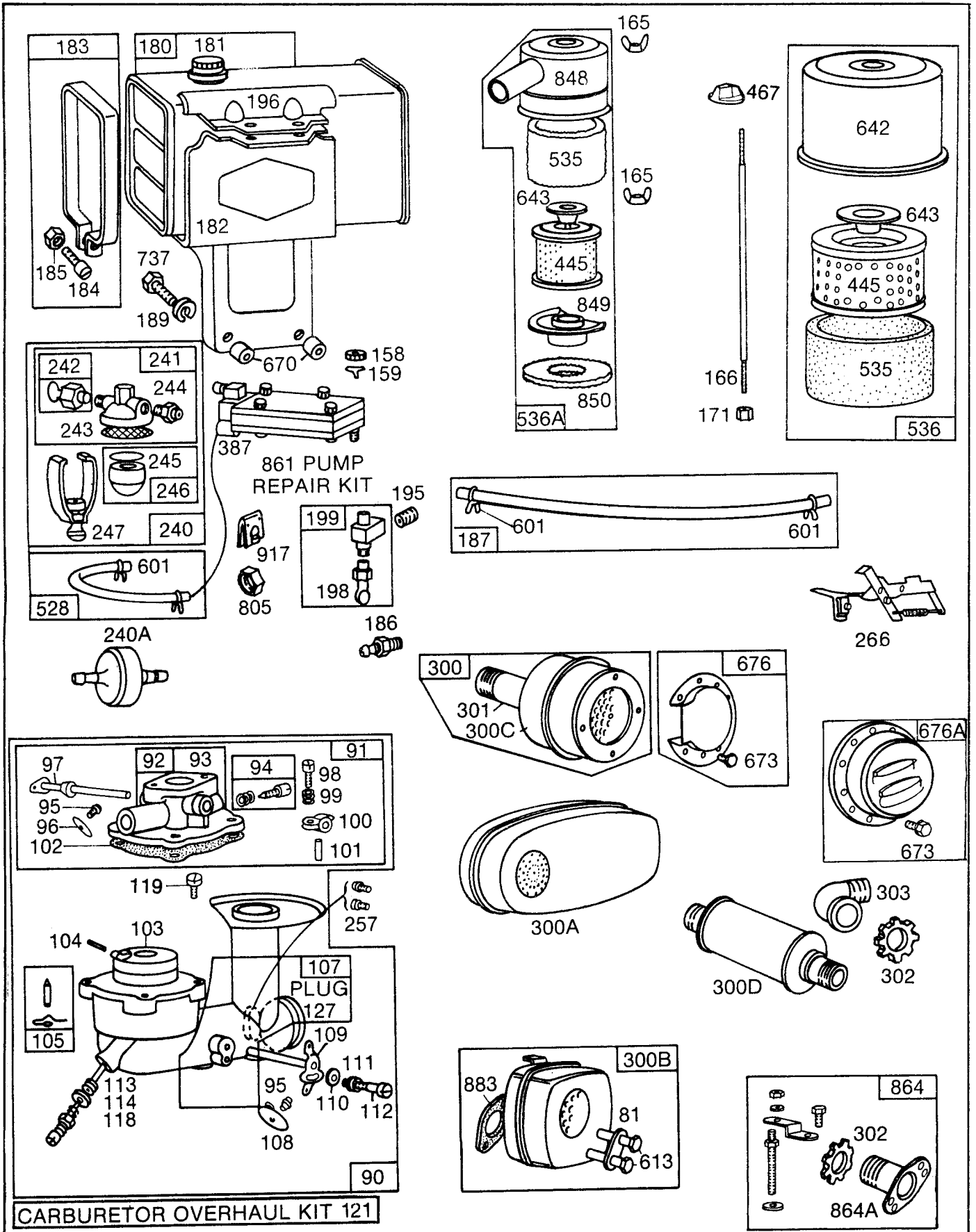
PRINTED IN U.S.A.

COPYRIGHT ©

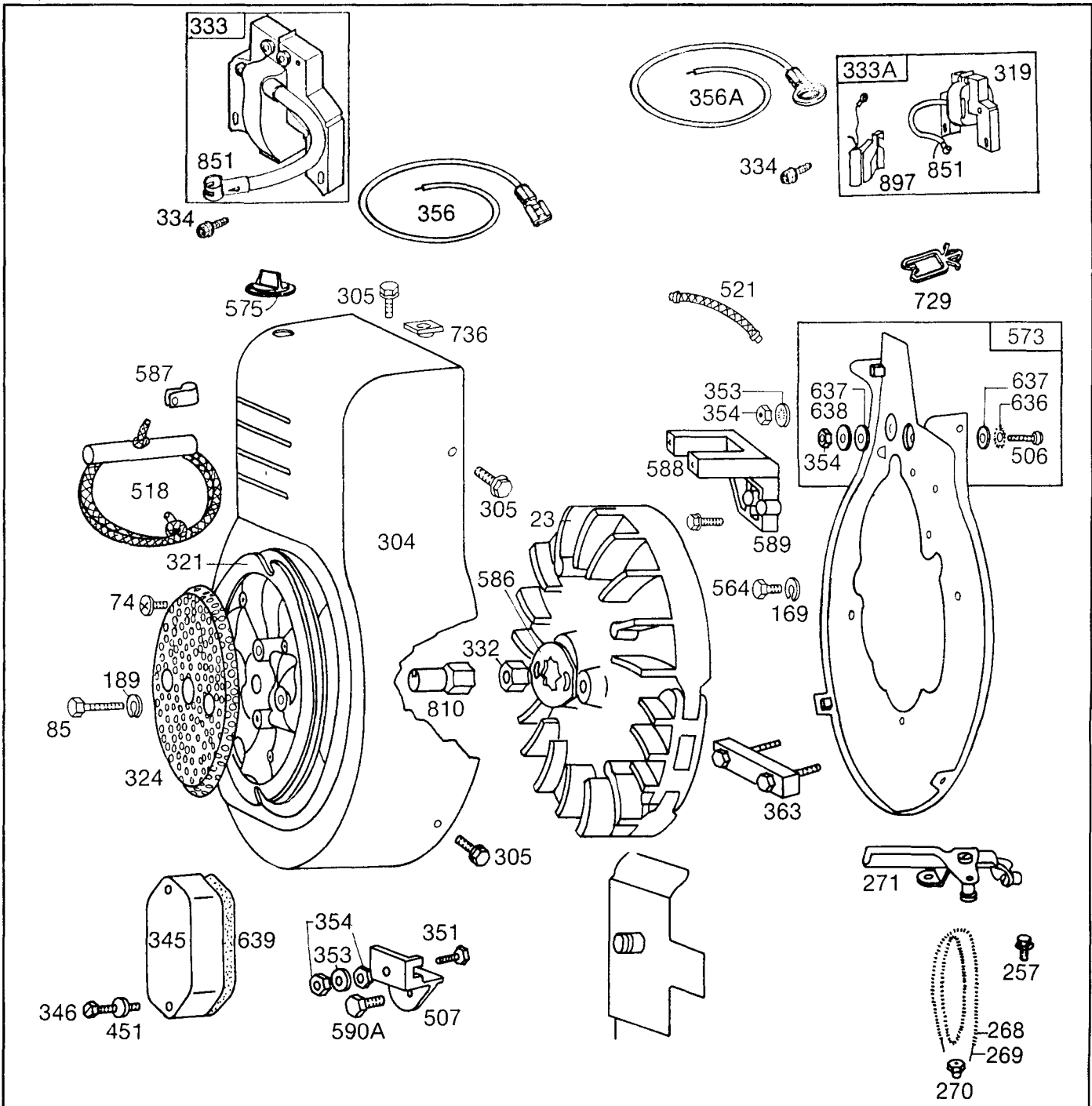


326400 to 326499

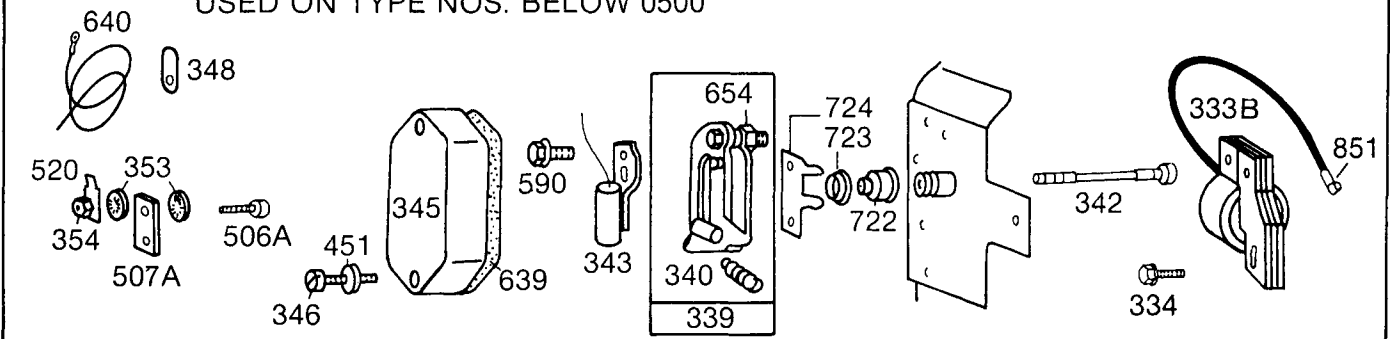


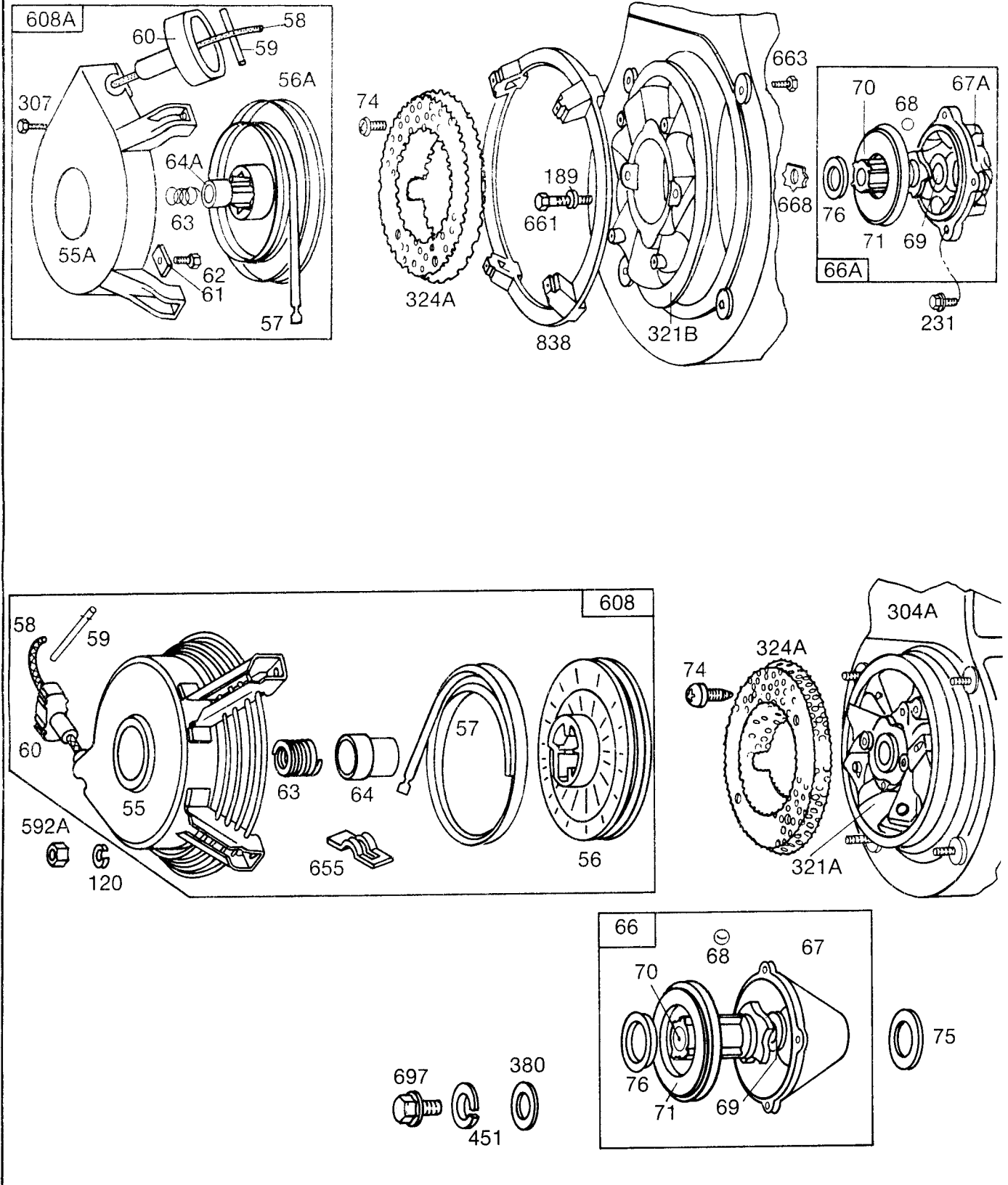


326400 to 326499

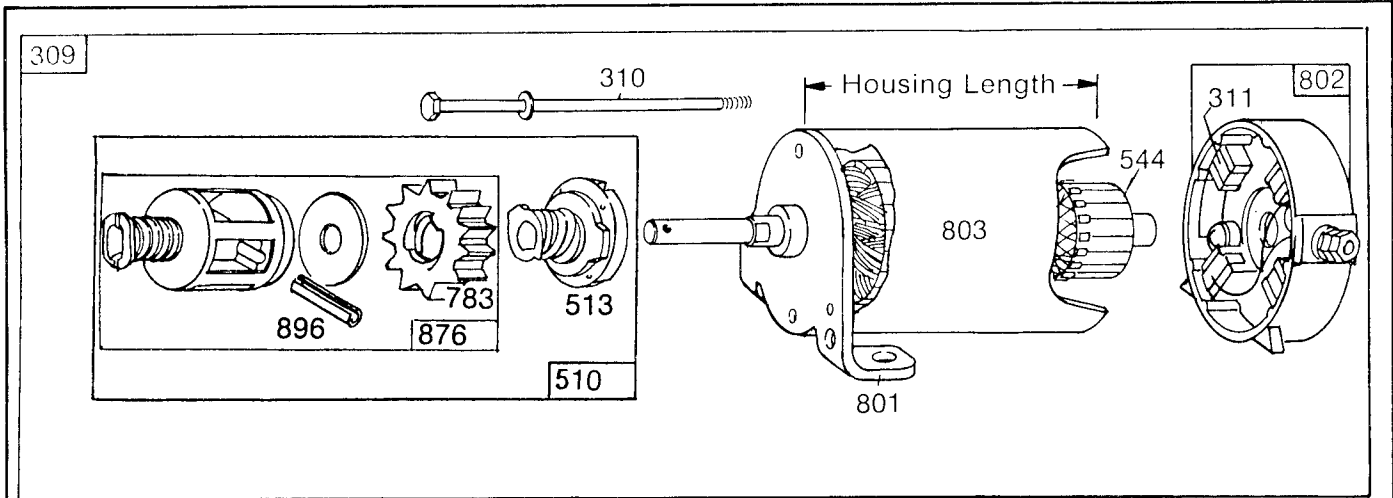


USED ON TYPE NOS. BELOW 0500





326400 to 326499



Subject		Ref. No. 309	Ref. No. 510	Ref. No. 801	Ref. No. 544	Ref. No. 803	Ref. No. 802	Ref. No. 311	Ref. No. 310
Starter Motor Mfr.		Motor and Drive Assy.	Drive** Assembly	End Cap Assy. Drive	Armature Assembly	Housing Assembly	End Cap Assy. Commutator*	Brush Assembly	Thru Bolt Assembly
Briggs & Stratton	Housing Length								
†12V	3-3/4"	391178	391461	392062	391160	391167	391172	391791	391790
12V	4-3/8"	394807	396865	394802	391160	394544	395537	395538	94004
12V	4-3/8"	396306	396865	394802	391160	394544	395537	395538	94004

*Includes Brush Set

**Includes #391135 Clutch Assembly (Ref. No. 513)
 #280104 Gear (Ref. No. 783)
 #393254 Retainer and Pin (Ref. No. 876)
 #93754 Roll Pin (Ref. No. 896)

NOTE: **Style Identification** of 12 Volt Motors. New Style: Thru Bolt Heads are Located on the Brush End Head Side.
 †Old Style: Brush End Head is 13/16" Wide.

326400 to 326499

REF. NO.	PART NO.	DESCRIPTION	REF. NO.	PART NO.	DESCRIPTION	REF. NO.	PART NO.	DESCRIPTION
1	395663	Cylinder Assembly		93583	Stud—Cylinder Head	15	91084	Plug—Pipe—3/8"
	393670	Cylinder Assembly Used after Code No. 7806131 and before Code No. 8108011.			Used before Code No. 7506091 on Type No. 0169.		Note:	93418 Plug—Oil Drain (Hex.—Socket) Used on Type Nos. 0136, 0140, 0183.
	Note:	392096 Cylinder Assembly (Includes Piston and Ring Assembly) Used before Code No. 7806141.		93583	Stud—Cylinder Head			93720 Cap—Pipe 93719 Pipe—Oil Drain Used on Type Nos. 0144, 0157, 0158, 0164, 0169.
		392135 Cylinder Assembly Used on Type No. 0144.		93843	Screw—Cylinder Head (1)	16	261218	Crankshaft
5	211981	Head—Cylinder Used after Code No. 7506081.	14	92674	Screw—Cylinder Head 2-7/16" long		Note:	261220 Crankshaft Used on Type Nos. 0237, 0133, 0190, 0252, 0315.
	Note:	211889 Head—Cylinder Used before Code No. 7506091. Also on Type Nos. 0205, 0255, 0291, 0648.		Note:	93843 Screw—Cyl. Hd. 2-21/32" long Used on Type Nos. 0080, 0136, 0139, 0204, 0205, 0228, 0255, 0291, 0328, 0386, 0387, 0393, 0395, 0396, 0397, 0631, 0640, 0641, 0648, 0662, 0678, 2580.			261221 Crankshaft Used on Type No. 0136.
		212514 Head—Cylinder (Gasoline/Kerosene) Used on Type Nos. 0080, 0386, 0387, 0393, 0395, 0396, 0397, 0631, 0640, 0641, 0662, 2580.			93583 Stud—Cylinder Head Used on Type Nos. 0149, 0181, 0183, 0184, 0198, 0203, 0210, 0216, 0217, 0222, 0235, 0237, 0238, 0243, 0244, 0252, 0254, 0259, 0262, 0266, 0283, 0293, 0312, 0315, 0319, 0322, 0327, 0333, 0343, 0363, 0369, 0630, 0635, 0636, 0647, 0649, 0660, 0669, 0673, 0675, 0680, 0681, 0687, 0690, 0691, 0694, 0695, 0708, 0713, 0719, 0724, 0729, 0730, 0731, 0732, 0735, 0741, 0745, 0746, 0747, 0748, 0749, 0751, 0753, 0754, 0755, 0757, 0760, 2520, 2521, 2522, 2527, 2528, 2550, 2560, 2561, 2562, 2563.			261222 Crankshaft Used on Type Nos. 0139, 0204, 0228, 0328, 0678.
6	22963	Washer—Cylinder Hd.						261223 Crankshaft Used on Type Nos. 0050, 0116, 0130, 0143, 0147, 0149, 0150, 0151, 0156, 0167, 0170, 0172, 0173, 0174, 0185, 0186, 0188, 0192, 0193, 0208, 0219, 0231, 0248, 0257, 0286, 0290, 0310, 0317, 0318, 0329, 0337, 0343, 0371, 0636, 0638, 0666, 0669, 0684, 0690, 0706, 0721, 0751, 2550.
7	*270662	Gasket—Cylinder Hd.						261225 Crankshaft Used on Type Nos. 0113, 0171, 0196, 0304, 0319, 0322.
8	299328	Breather						261228 Crankshaft Used on Type Nos. 0060, 0119, 0223.
9	*27803	Gasket—Valve Cover						261245 Crankshaft Used on Type Nos. 0022, 0063, 0114, 0129, 0153, 0175, 0176, 0183, 0198, 0205, 0217, 0224, 0233, 0235, 0236, 0238, 0247, 0255, 0261, 0265, 0266,
10	93394	Screw—Breather Mtg. Sem						
11	68818	Tube—Breather						
	Note:	Use 261173 Breather Tube Spring Inside the Tube on Type Nos. 0248, 0358, 0638, 0707.						
12	*270789	Gasket—Cover						
13	91203	Screw—Cylinder Head 1-3/4" long (3)						
	Note:	93368 Screw-Cylinder Head Used on Type Nos. 0080, 0386, 0387, 0393, 0395, 0396, 0397, 0631, 0640, 0641, 0662, 2580.						

*Included in Gasket Set—
Part No. 299719.

326400 to 326499

REF. NO.	PART NO.	DESCRIPTION	REF. NO.	PART NO.	DESCRIPTION	REF. NO.	PART NO.	DESCRIPTION
		0273, 0277, 0278, 0279, 0285, 0287, 0291, 0296, 0303, 0320, 0334, 0338, 0340, 0344, 0345, 0346, 0347, 0348, 0353, 0359, 0361, 0363, 0366, 0367, 0374, 0375, 0383, 0385, 0394, 0396, 0633, 0634, 0648, 0650, 0654, 0661, 0671, 0674, 0676, 0680, 0687, 0692, 0693, 0694, 0696, 0698, 0699, 0702, 0703, 0708, 0714, 0718, 0722, 0724, 0729, 0733, 0736, 0746, 0753, 0754, 0757, 2522, 2563, 2596.			261476 Crankshaft Used on Type Nos. 0259, 0293, 0647.			0290, 0291, 0292, 0296, 0297, 0302, 0303, 0304, 0310, 0312, 0318, 0327, 0329, 0334, 0337, 0338, 0340, 0344, 0345, 0347, 0357, 0359, 0361, 0368, 0373, 0374, 0383, 0385, 0395, 0396, 0634, 0636, 0648, 0650, 0656, 0661, 0666, 0670, 0671, 0674, 0675, 0684, 0686, 0690, 0692, 0693, 0696, 0698, 0699, 0702, 0703, 0706, 0708, 0709, 0714, 0721, 0724, 0726, 0732, 0733, 0735, 0737, 0739, 0740, 0743, 0744, 0745, 0746, 0750, 0751, 0752, 0753, 0754, 0755, 0757, 0759, 2522, 2550, 2562, 2563, 2596.
		261255 Crankshaft Used on Type Nos. 0158, 0160, 0197, 0216, 0237.	17	291667	Bearing—Ball			291710 Cover Assy.— Crankcase
		261302 Crankshaft Used on Type Nos. 0210, 0262, 0630.	18	391062	Cover Assy.— Crankcase			Uses: 291675 Seal—Oil (On P.T.O. side) Used on Type Nos. 0022, 0050, 0062, 0063, 0112, 0113, 0114, 0116, 0130, 0143, 0147, 0149, 0150, 0151, 0153, 0156, 0160, 0167, 0171, 0172, 0173, 0174, 0175, 0176, 0183, 0185, 0186, 0188, 0192, 0193, 0196, 0197, 0198, 0205, 0208, 0209, 0216, 0217, 0219, 0224, 0233, 0235, 0236, 0241, 0242, 0244, 0247, 0255, 0256, 0257, 0260, 0261, 0265, 0266, 0269, 0272, 0273, 0277, 0278, 0279, 0285, 0286, 0287,
		261407 Crankshaft Used on Type Nos. 0062, 0241, 0242, 0243, 0244, 0260, 0269, 0272, 0292, 0295, 0297, 0300, 0302, 0312, 0327, 0352, 0365, 0369, 0373, 0391, 0635, 0670, 0681, 0686, 0691, 0719, 0723, 0726, 0730, 0732, 0735, 0737, 0740, 0744, 0745, 0750, 0755, 0759, 2562.			Note: 291665 Cover Assy.— Crankcase			Uses: 291675 Seal—Oil (On P.T.O. side) Used on Type Nos. 0021, 0128, 0129, 0170, 0181, 0189, 0203, 0231, 0237, 0238, 0243, 0248, 0254, 0258, 0259, 0293, 0295, 0300, 0314, 0317, 0319, 0320, 0321, 0322, 0343, 0346, 0348, 0352, 0353, 0362, 0363, 0365, 0366, 0367, 0369, 0371, 0375, 0394, 0633, 0635, 0638, 0647, 0654, 0668, 0669, 0676, 0680, 0681, 0682, 0687, 0691, 0694, 0717, 0718, 0719, 0720, 0722, 0723, 0729, 0730, 0736, 0758, 2521, 2560.
		261408 Crankshaft Used on Type No. 0222.						
		261413 Crankshaft Used on Type Nos. 0061, 0124, 0246, 0253, 0305, 0308, 0335, 0341, 0342, 0646, 0710, 0711, 0713, 0728, 2561.						

326400 to 326499

REF. NO.	PART NO.	DESCRIPTION	REF. NO.	PART NO.	DESCRIPTION	REF. NO.	PART NO.	DESCRIPTION
		392590 Cover Assy.— Crankcase		0672, 0673, 0675, 0676, 0678, 0679, 0680, 0682, 0684, 0685, 0687, 0688, 0692, 0693, 0697, 0698, 0699, 0701, 0702, 0703, 0704, 0705, 0707, 0708, 0711, 0712, 0714, 0715, 0716, 0718, 0719, 0720, 0721, 0724, 0725, 0726, 0729, 0731, 0732, 0733, 0738, 0740, 0741, 0742, 0746, 0748, 0749, 0751, 0752, 0753, 0754, 0758, 0760, 2527, 2528, 2563, 2596.		0211, 0213, 0215, 0217, 0221, 0222, 0224, 0229, 0230, 0231, 0234, 0235, 0236, 0238, 0240, 0248, 0249, 0250, 0251, 0252, 0257, 0261, 0262, 0265, 0271, 0273, 0274, 0275, 0276, 0277, 0278, 0279, 0281, 0282, 0283, 0284, 0285, 0286, 0287, 0288, 0296, 0298, 0303, 0304, 0306, 0307, 0309, 0310, 0311, 0315, 0316, 0317, 0318, 0319, 0320, 0321, 0322, 0323, 0324, 0325, 0326, 0328, 0330, 0331, 0332, 0333, 0334, 0337, 0338, 0340, 0343, 0347, 0348, 0349, 0350, 0351, 0353, 0355, 0358, 0359, 0360, 0363, 0364, 0367, 0370, 0371, 0372, 0374, 0375, 0376, 0377, 0378, 0379, 0381, 0382, 0383, 0388, 0389, 0392, 0394, 0399.		
		Uses:						
		299609 Seal—Oil (On P.T.O. side) Used on Type Nos. 0331, 0679, 0713, 0742.						
20	299609	Seal—Oil						
		Note: See Ref. 18 for Specials.						
21	66768	Plug—Oil Filler						
		The Following Flywheels are for Electronic Ignition						
23	395249	Flywheel—Magneto (All are Identified by Two Red Stripes)						
		Note: 395250 Flywheel— Magneto Used on Type Nos. 0611, 0632, 0633, 0635, 0637, 0640, 0641, 0642, 0644, 0645, 0646, 0647, 0648, 0650, 0651, 0652, 0655, 0656, 0657, 0659, 0662, 0664, 0670, 0674, 0677, 0681, 0683, 0686, 0689, 0690, 0691, 0694, 0695, 0696, 0700, 0706, 0709, 0710, 0713, 0717, 0722, 0723, 0727, 0728, 0730, 0734, 0735, 0737, 0739, 0743, 0744, 0745, 0747, 0750, 0755, 0757, 0759, 2520, 2521, 2522, 2550, 2560, 2561, 2562, 2580, 2581, 2582.						
		395251 Flywheel Assy.—Magneto For Use on Engines With Alternator Used on Type Nos. 0630, 0634, 0636, 0638, 0643, 0649, 0653, 0654, 0658, 0660, 0661, 0663, 0665, 0666, 0667, 0668, 0669, 0671,						
					395269 Flywheel Assembly Used on Type No. 0736.			
					395350 Flywheel Assembly Used on Type No. 0631.			
					The Following Flywheels are Used with Breaker Points and Condenser System			
					391116 Flywheel Magneto Used on Type Nos. 0080, 0132, 0187, 0194, 0195, 0202, 0220, 0232, 0239, 0263, 0267, 0386, 0397, 0398.			
					391363 Flywheel Assembly (10 Amp.) Used on Type Nos. 0027, 0028, 0063, 0115, 0123, 0126, 0135, 0143, 0148, 0149, 0162, 0163, 0164, 0165, 0167, 0168, 0170, 0171, 0172, 0174, 0178, 0180, 0182, 0184, 0185, 0188, 0189, 0192, 0193, 0198, 0201, 0209, 0210,			
								394919 Flywheel Assy. Used on Type No. 0387.
						24	222698	Key—Flywheel (For MAGNETRON® Ignition) Note: 61760 Key— Flywheel (For Breaker Ignition System)
						25	390364	Piston Assy.— Standard
							390365	Piston Assembly— .010" O.S.
							390366	Piston Assembly— .020" O.S.
							390367	Piston Assembly— .030" O.S.

326400 to 326499

REF. NO.	PART NO.	DESCRIPTION	REF. NO.	PART NO.	DESCRIPTION	REF. NO.	PART NO.	DESCRIPTION
MODEL 326430 SERIES PISTON RING SETS			50	211589	Elbow—Carburetor Intake	67	261455	Housing—Rewind Starter
	Note:	For Chrome Piston Ring Set—Standard Size—Order Part No. 390679 .		Note:	211419 Elbow—Carburetor Intake Used on Type Nos. 0248, 0308, 0358, 0638, 0707.	67A	212132	Housing—Rewind Starter
26	390484	Ring Set—Piston—Standard	51	† 270267	Gasket—Intake Elbow	68	63770	Ball—Clutch
	390486	Ring Set—Piston—.010" O.S.	52	* 27381	Gasket—Intake Elbow Mounting	69	66718	Washer—Starter Clutch Thrust
	390505	Ring Set—Piston—.020" O.S.	52A	270992	Gasket—Air Guide Mounting	70	298799	Ratchet—Rewind Starter Clutch
	390507	Ring Set—Piston—.030" O.S.	55	392589	Housing—Rewind Starter (Low Profile)	71	221653	Washer—Retainer
27	260924	Lock—Piston Pin	55A	298402	Housing—Rewind Starter	74	93808	Screw—Rotating Screen Mounting
28	299691	Pin Assy.—Piston—Standard	56	392630	Pulley—Rewind Starter (Low Profile)	75	93824	Washer—Spring
	391286	Pin Assy.—Piston—.005" O.S.	56A	295871	Pulley—Rewind Starter Includes 63" Rope	76	68238	Seal—Ratchet Sealing
29	299632	Rod Assy.—Connecting		Note:	If longer Rope is required, Order Rope No. 66894 and cut to length.	81	223016	Lock—Screw
	Note:	For Connecting Rod with .020" undersize Crankpin Bore—Order No. 390306 .	57	294303	Spring—Rewind Starter	85	91386	Screw—Fan Pulley Mounting
30	221777	Dipper—Conn. Rod	58	66884	Rope—63" For Use with Plastic Pulley	88	* 270449	Gasket—Gear Case Cover
31	221776	Lock—Conn. Rod Screw		Note:	If longer Rope is required, Order Rope No. 66894 and cut to length.	90	391065	Carburetor Assy.—
32	230907	Screw—Conn. Rod		66564	Rope—63" For Use with Metal Pulley		Note:	391068 Carburetor Assembly
33	261584	Valve—Exhaust		Note:	If longer Rope is required, Order Rope No. 66574 and cut to length.			Used on Type Nos. 0121, 0144, 0157, 0158, 0164, 0165, 0169, 0170, 0184, 0192, 0240, 0331, 2581.
	Note:	261207 Valve—Exhaust Used before Code No. 80111300.	59	230228	Pin—Starter Grip			391070 Carburetor Assembly
34	261583	Valve—Intake	60	66728	Grip—Starter Rope			Used on Type Nos. 0127, 0133, 0134, 0135, 0136, 0139, 0140, 0149, 0162, 0163, 0166, 0172, 0173, 0180, 0185, 0186, 0201, 0204, 0206, 0211, 0212, 0213, 0226, 0227, 0228, 0229, 0249, 0251, 0271, 0298, 0326, 0328, 0332.
	Note:	261206 Valve—Intake Used before Code No. 80111300.	61	68848	Bumper—Starter Pulley			392035 Carburetor Assembly
35	26828	Spring—Intake Valve	62	93254	Screw—Pulley Bumper Mounting Sem			Used on Type Nos. 0182, 0210, 0222, 0309.
36	26828	Spring—Exhaust Valve	63	260414	Spring—Ratchet			
40	292260	Rotocoil—Exhaust and Intake Valve	64	231118	Adapter—Ratchet Spring (Low Profile)			
	Note:	68293 Retainer—Valve Spring Collar Used on Type No. 0722.	64A	230543	Adapter—Ratchet Spring			
41	93630	Collar—Valve Spring Retainer	65	93163	Screw—Sem			
	Note:	68283 Collar—Valve Spring Retainer Used before Code No. 80111300.	66	393127	Clutch Assembly—Rewind Starter			
45	26670	Tappet—Valve	66A	298798	Clutch Assembly—Rewind Starter			
46	211794	Gear—Cam						

*Included in Gasket Set—Part No. 299719.

†Included in Carburetor Overhaul Kit—See Ref. 121.

326400 to 326499

REF. NO.	PART NO.	DESCRIPTION	REF. NO.	PART NO.	DESCRIPTION	REF. NO.	PART NO.	DESCRIPTION
		231114 Stud—Air Cleaner (10-3/4" long) Used on Type No. 0210.			0376, 0377, 0381, 0384, 0392, 0635, 0647, 0648, 0657, 0661, 0664, 0666, 0674, 0682, 0685, 0690, 0694, 0696, 0697, 0698, 0704, 0712, 0714, 0721, 0723, 0729, 0730, 0743, 0745, 0746, 0754, 0757.	187	296004	Pipe—Fuel Note: 299146 Pipe—Fuel Used on Type Nos. 0182, 0222.
169	90832	Washer—Lock— 1/4 x 3/32 x 5/64"				188	93535	Screw—Sem
171	92129	Nut—Hex.—1/4-28				189	90366	Washer—Lock— 5/16 x 1/8 x 1/16"
180	291488	Tank Assy.—Fuel (6 Quart) Note: 290816 Tank Assy.— Fuel (4 Quart) Used on Type Nos. 0206, 0211, 0213, 0229, 0271. 291513 Tank Assy.— Fuel (Gasoline-Kerosene) Uses: 295913 Valve and Cover—Fuel Shut-Off 231238 Connector—Pipe 92655 Tee 231282 Connector—Pipe 89248 Pipe—Fuel (2-1/4" Long) Used on Type Nos. 0080, 0386, 0387, 0393, 0395, 0396, 0397, 0631, 0640, 0641, 0662, 2580. 292415 Tank Assy.— Fuel (8 Quart) Used on Type Nos. 0137, 0140, 0141, 0143, 0148, 0151, 0152, 0153, 0156, 0162, 0163, 0167, 0172, 0173, 0175, 0176, 0178, 0180, 0181, 0183, 0185, 0186, 0197, 0199, 0201, 0203, 0205, 0212, 0215, 0219, 0226, 0227, 0242, 0245, 0249, 0254, 0255, 0257, 0259, 0273, 0282, 0284, 0286, 0289, 0291, 0293, 0300, 0303, 0307, 0311, 0318, 0330, 0336, 0347, 0354, 0369, 0372,	181	392301	Cap—Fuel Tank Note: 297866 Cap—Fuel Tank Used on Type Nos. 0162, 0180, 0201, 0215, 0284, 0392, 0712.	189	91397	Nut—Hex. 5/16-18
			182	22813	Bracket—Fuel Tank Note: 222671 Bracket—Fuel Tank (8 Quart) Uses: 222669 Stiffener— Tank Bracket Used on Type Nos. 0205, 0291, 0648.	192	91635	Nipple
			183	291490	Strap Assy.—Fuel Tank Note: 291367 Strap Assy.— Fuel Tank (4 Quart) Used on Type Nos. 0206, 0211, 0213, 0229, 0271.	195	91635	Nipple
			184	91257	Screw—Machine, Fill. Hd.—1/4-20 x 1-1/4"	196	22907	Support—Upper Fuel Tank Note: 222670 Stiffener— Tank Bracket Used with No. 22907 Support on Type Nos. 0205, 0291, 0648.
			185	90970	Nut—Square—1/4-20	198	293934	Valve—Shut-Off
			186	230318	Connector—Fuel Pipe Note: 67218 Connector—Fuel Pipe Used on Type Nos. 0127, 0133, 0134, 0135, 0170, 0182, 0190, 0198, 0210, 0222, 0252, 0262, 0298, 0309, 0315, 0326, 0331, 0332, 0333, 0338, 0349, 0350, 0369, 0373, 0391, 0630, 0648, 0649, 0679, 0686, 0707, 0726, 0732, 0737, 0744, 0746, 0750, 0755, 0759, 2582.	199	297563	Outlet—Fuel
						200	222581	Deflector—Air Note: 223264 Guard—Flywheel Used on Type Nos. 0387, 0631, 0726.
						200A	222445	Deflector—Air
						201	260923	Link—Throttle Note: 26725 Link—Throttle Used on Type Nos. 0248, 0308, 0358, 0638, 0707. 261027 Link—Throttle Used on Type Nos. 0234, 0705.
						204	23849	Bushing—Control Lever Note: 230919 Bushing— Control Lever Used on Type Nos. 0080, 0136, 0139, 0204, 0228, 0234, 0328, 0385, 0386, 0387, 0391, 0393, 0394, 0395, 0396, 0398, 0678, 0705.
						206	93422	Nut—Governor Adjusting
						206A	21772	Nut—Governor Adjusting
						208	230040	Rod—Governor Control

326400 to 326499

REF. NO.	PART NO.	DESCRIPTION	REF. NO.	PART NO.	DESCRIPTION	REF. NO.	PART NO.	DESCRIPTION		
209	260815	Spring—Governor (2" long) Note: 26764 Spring—Governor Used on Type Nos. 0021, 0022, 0062, 0063, 0080, 0117, 0128, 0129, 0130, 0131, 0132, 0141, 0142, 0147, 0150, 0153, 0154, 0155, 0156, 0159, 0160, 0161, 0166, 0168, 0174, 0175, 0176, 0177, 0179, 0183, 0187, 0189, 0193, 0194, 0195, 0197, 0198, 0202, 0205, 0207, 0216, 0217, 0220, 0221, 0223, 0224, 0226, 0227, 0228, 0230, 0232, 0233, 0235, 0237, 0239, 0241, 0242, 0243, 0244, 0245, 0246, 0247, 0255, 0256, 0258, 0260, 0261, 0263, 0265, 0266, 0267, 0269, 0270, 0272, 0273, 0275, 0277, 0278, 0279, 0280, 0283, 0285, 0286, 0287, 0290, 0291, 0292, 0295, 0296, 0297, 0299, 0300, 0302, 0303, 0309, 0310, 0312, 0314, 0316, 0320, 0321, 0324, 0325, 0327, 0334, 0338, 0340, 0344, 0345, 0346, 0348, 0352, 0353, 0359, 0361, 0363, 0365, 0366, 0367, 0369, 0373, 0374, 0375, 0380, 0383, 0385, 0386, 0387, 0391, 0393, 0394, 0395, 0396, 0398, 0631, 0632, 0634, 0635, 0637, 0641, 0642, 0648, 0650, 0652, 0654, 0655, 0657, 0662, 0664, 0665,			0668, 0670, 0671, 0674, 0676, 0680, 0681, 0682, 0686, 0687, 0688, 0691, 0692, 0693, 0694, 0696, 0698, 0699, 0702, 0703, 0708, 0709, 0713, 0714, 0717, 0718, 0719, 0720, 0722, 0723, 0724, 0726, 0727, 0729, 0730, 0732, 0733, 0735, 0736, 0737, 0739, 0740, 0742, 0743, 0744, 0745, 0746, 0750, 0752, 0753, 0754, 0755, 0757, 0758, 0759, 2521, 2522, 2562, 2563, 2580, 2596.			227	298399	Lever Assy.—Governor Note: 291365 Lever Assy.— Governor Used on Type Nos. 0021, 0022, 0062, 0063, 0080, 0117, 0128, 0129, 0130, 0131, 0132, 0141, 0142, 0147, 0150, 0153, 0154, 0155, 0156, 0159, 0160, 0161, 0166, 0168, 0174, 0175, 0176, 0177, 0179, 0183, 0187, 0189, 0193, 0194, 0195, 0197, 0198, 0202, 0205, 0207, 0216, 0217, 0220, 0223, 0224, 0227, 0230, 0231, 0232, 0233, 0235, 0236, 0237, 0238, 0239, 0241, 0242, 0243, 0244, 0245, 0246, 0247, 0255, 0256, 0258, 0260, 0261, 0263, 0265, 0266, 0267, 0269, 0270, 0272, 0273, 0275, 0277, 0278, 0279, 0280, 0283, 0285, 0286, 0287, 0290, 0291, 0292, 0295, 0296, 0297, 0299, 0300, 0302, 0303, 0309, 0310, 0312, 0314, 0316, 0320, 0321, 0324, 0325, 0327, 0334, 0338, 0340, 0344, 0345, 0346, 0348, 0352, 0353, 0359, 0361, 0363, 0365, 0366, 0367, 0369, 0373, 0374, 0375, 0380, 0383, 0385, 0386, 0387, 0391, 0393, 0394, 0395, 0396, 0398, 0631, 0632, 0633, 0634, 0635, 0637, 0641, 0642, 0648, 0650, 0652, 0654, 0655, 0657, 0662, 0664,
			209A	260816	Spring—Governor (2-1/2" long)					
			219	393720	Gear Assembly— Governor Used after Code No. 7806131. Note: 291192 Gear Assy.— Governor Used before Code No. 7806141.					
			223	22814	Lever—Gov. Control Note: 221987 Lever— Governor Control Used with No. 22814 Lever on Type Nos. 0080, 0136, 0139, 0204, 0228, 0234, 0328, 0385, 0386, 0387, 0391, 0393, 0394, 0395, 0396, 0398, 0678, 0705.					
			225	393467	Shaft—Governor Gear Used after Code No. 7806131. Note: 291177 Shaft—Gov. Gear Used before Code No. 7806141.					

326400 to 326499

REF. NO.	PART NO.	DESCRIPTION	REF. NO.	PART NO.	DESCRIPTION	REF. NO.	PART NO.	DESCRIPTION
		0665, 0668, 0670, 0671, 0674, 0676, 0680, 0681, 0682, 0686, 0687, 0688, 0691, 0692, 0693, 0694, 0696, 0698, 0699, 0702, 0703, 0708, 0709, 0713, 0714, 0717, 0718, 0719, 0720, 0722, 0723, 0724, 0726, 0727, 0729, 0730, 0732, 0733, 0735, 0736, 0737, 0739, 0740, 0742, 0743, 0744, 0745, 0746, 0750, 0752, 0753, 0754, 0755, 0757, 0758, 0759, 2521, 2522, 2562, 2563, 2580, 2596.	240A	298090	Filter—Fuel (In Fuel Pipe) Note: 394358 Filter—Fuel Used on Type Nos. 0705, 0707, 0724, 0744, 0750, 0755, 0759, 2581.	270	63426	Locknut—Control Wire Casing
			241	296005	Cover Assembly—Fuel Filter	271	290568	Lever Assy.—Control
			242	295913	Valve and Cover— Fuel Shut-Off	284	93572	Screw—Thread Forming
			243	22547	Screen—Fuel Filter	300	393232	Muffler—Exhaust Note: 299477 Muffler— Exhaust Used on Type Nos. 0080, 0150, 0174, 0181, 0201, 0203, 0215, 0247, 0254, 0258, 0259, 0260, 0271, 0278, 0284, 0288, 0292, 0293, 0310, 0340, 0363, 0366, 0375, 0378, 0384, 0392, 0394, 0647, 0653, 0654, 0659, 0670, 0671, 0676, 0688, 0706, 0710, 0711, 0712, 2580.
			244	230318	Connector—Fuel Pipe	300A	392101	Muffler—Exhaust (Super Lo-Tone)
			245	*68477	Gasket—Fuel Filter Bowl	300B	394237	Muffler—Exhaust
			246	298683	Bowl—Fuel Filter	300C	392989	Muffler—Exhaust (Muffler Only)
			247	99665	Yoke Assembly— Fuel Filter	300D	291519	Muffler—Exhaust (Nelson)
			257	93543	Screw—Casing Clamp	301	93734	Pipe—Muffler (8" long) Note: 92107 Pipe—Muffler (4" long)
			258	93158	Screw—Hex. Hd. Thread Cutting	302	91310	Locknut—Muffler Note: 261564 Locknut— Muffler Used on Type Nos. 0671, 0728, 0744, 0750, 0759.
230	22826	Washer—Flat	259	221988	Bracket—Casing Clamp Used on Type Nos. 0136, 0139, 0192, 0204, 0228, 0306, 0328, 0678, 0725.	303	91308	Elbow—Exhaust, 1" 90° Used on Type Nos. 0649, 02581, 02582. 91296 Elbow— Exhaust, 1" 90° Used on Type Nos. 0732, 0744, 0750, 0759. 91308 Elbow—Exhaust 1", 90° 91296 Elbow—Exhaus 1", 90° Used on Type Nos. 0391, 0686, 0726, 0737.
231	93380	Screw—Sem Note: 93832 Screw 90364 Lockwasher Used on Type Nos. 0061, 0062, 0241, 0242, 0243, 0244, 0253, 0260, 0269, 0272, 0292, 0295, 0297, 0300, 0302, 0305, 0308, 0312, 0327, 0335, 0341, 0342, 0352, 0365, 0391, 0635, 0646, 0670, 0681, 0682, 0686, 0691, 0710, 0711, 0713, 0719, 0723, 0726, 0728, 0730, 0732, 0735, 0737, 0740, 0744, 0745, 0750, 0755, 0759, 2560, 2561, 2562.	265	22372	Clamp—Casing			
			266	392150	Control—Throttle Uses: 261322 Spring— Throttle Return Note: 261322 Spring— Throttle Return Used on Type Nos. 0234, 0705. 299361 Control— Throttle (Disc Type)			
			267	93612	Screw—Sheet Metal			
			268	65616	Casing—Control Wire— 72" long Note: If longer casing is re- quired, specify length in inches; if shorter casing is needed, Order No. 65616 and cut to required length.			
232	260478	Spring—Governor Link Note: 260584 Spring— Governor Link Used on Type Nos. 0248, 0308, 0358, 0638, 0707.	269	26633	Wire—Control—78" long Note: If longer wire is re- quired, specify length in inches; if shorter wire is needed, Order No. 26633 and cut to required length.			
233	93879	Spacer—Control Rod						
240	393169	Filter Assembly—Fuel						

*Included in Gasket Set—
Part No. 299719.

326400 to 326499

REF. NO.	PART NO.	DESCRIPTION	REF. NO.	PART NO.	DESCRIPTION	REF. NO.	PART NO.	DESCRIPTION
323	68878	V-Belt (For High Position Mounting)		392588	Plug—Spark (2" High—51 M.M.) (Resistor Type)		299907	Wire—Ground Used on Type Nos. 0131, 0202.
323A	68898	V-Belt (For Low Position Mounting)		394539	Plug—Spark (2-3/8" High—60 M.M.) (Resistor Type)		391115	Wire—Ground Used on Type Nos. 0020, 0021, 0022, 0027, 0028, 0050, 0060, 0061, 0062, 0063, 0126, 0127, 0133, 0134, 0135, 0136, 0139, 0140, 0142, 0144, 0146, 0149, 0157, 0158, 0169, 0170, 0172, 0173, 0174, 0180, 0182, 0184, 0185, 0186, 0188, 0189, 0190, 0192, 0198, 0201, 0204, 0206, 0207, 0210, 0211, 0212, 0213, 0215, 0216, 0217, 0221, 0222, 0223, 0224, 0227, 0228, 0229, 0230, 0234, 0235, 0236, 0238, 0240, 0244, 0246, 0248, 0249, 0250, 0251, 0252, 0253, 0257, 0258, 0261, 0262, 0265, 0266, 0268, 0271, 0273, 0274, 0275, 0276, 0279, 0281, 0283, 0284, 0285, 0288, 0292, 0295, 0298, 0299, 0303, 0304, 0306, 0309, 0310, 0311, 0312, 0313, 0314, 0315, 0316, 0317, 0318, 0319, 0320, 0321, 0322, 0323, 0324, 0325, 0326, 0327, 0328, 0330, 0331, 0332, 0333, 0334, 0335, 0336, 0337, 0339, 0341, 0343, 0344, 0346, 0347, 0348, 0351, 0352, 0353, 0355, 0356, 0359, 0362, 0363, 0364, 0365, 0366, 0367, 0370, 0371, 0374, 0375,
324	221851	Screen—Rotating		394812	Plug—Spark (2-1/4" High—56 M.M.) (Resistor Type)			
	Note:	222044 Screen—Rotating Used on Type Nos. 0136, 0139, 0140, 0148, 0152, 0163, 0169, 0184, 0199, 0204, 0227, 0228, 0282, 0307, 0319, 0322, 0326, 0328, 0343, 0372, 0376, 0669, 0678, 0697.	339	298185	Breaker Assy.—Ignition			
		222283 Screen—Rotating Used on Type Nos. 0127, 0133, 0182, 0190, 0210, 0222, 0252, 0262, 0315, 0333, 0649.	340	26018	Spring—Breaker Arm			
324A	222388	Screen—Rotating	342	298125	Plunger—Contact			
328	222062	Guard—Belt	343	298060	Condenser			
329	93294	Screw—Sem	345	211327	Cover—Breaker Mounting			
	Note:	93415 Screw—Sem	346	93400	Screw—Breaker Cover			
		222289 Washer—Flat Used to Mount Control Lever on Type Nos. 0136, 0139, 0204, 0228, 0234, 0248, 0328, 0678, 0705.	347	220197	Switch—Stop			
332	230674	Nut—Flywheel		Note:	293739 Switch—Stop Used on Type No. 0200.			
333	398811	Armature—Magneto		298926	Switch—Stop Used on Type Nos. 0028, 0062, 0138, 0187, 0195, 0220, 0232, 0237, 0238, 0243, 0266, 0295, 0320, 0327, 0658, 0663, 0675, 0680, 0681, 0687, 0691, 0729, 0730, 0735, 2528, 2562.			
333A	395492	Armature and Module Assembly (MAGNETRON® Ignition) Used after Code No. 8108011 and before Code No. 8501221.	347A	343242	Stop Switch			
333B	298968	Armature Assembly (For Breaker Ignition)	348	221976	Switch—Stop			
334	93381	Screw—Armature to Mounting Bracket Sem	351	93064	Screw—Hex. Head Sem			
337	298809	Plug—Spark (1-1/2" High—37-42 M.M.)	353	92791	Washer—Lock—Shakeproof			
	Note:	29693 Plug—Spark (2" High—51 M.M.)	354	90576	Nut—Hex.—8-32			
		293918 Plug—Spark (1-1/2" High—37-42 M.M.) (Resistor Type)	356	398708	Wire—Ground (Used with Armature Ref. 333)			
			356A	299500	Wire—Ground (Used with Armatures Ref. 333A and 333B Only)			
				Note:	299656 Wire—Ground Used on Type Nos. 0023, 0145, 0150, 0151, 0155, 0159, 0175, 0191, 0218, 0219, 0226.			

326400 to 326499

REF. NO.	PART NO.	DESCRIPTION	REF. NO.	PART NO.	DESCRIPTION	REF. NO.	PART NO.	DESCRIPTION
		0377, 0378, 0379, 0380, 0381, 0382, 0383, 0385, 0388, 0391, 0392, 0394, 0399.	474B	393800	Stator and Bracket— Alternator (Diode Type)	506A	90072	Screw—Machine Fill. Hd.—8-32 x 5/8"
357	91540	393334 Wire—Ground Used on Type Nos. 0643, 0646, 0735. Key—Pulley Mtg.			Note: 391595 Stator— Alternator (AC only) Used on Type Nos. 0394, 0654, 0676, 0718, 0720, 0726, 0736, 0758.			Note: 90200 Screw—Machine Fill. Hd.—8-32 x 1/2" Used on Type Nos. 0020, 0021, 0022, 0027, 0028, 0050, 0060, 0061, 0062, 0063, 0133, 0135, 0140, 0142, 0144, 0149, 0157, 0164, 0170, 0172, 0174, 0185, 0188, 0189, 0190, 0192, 0198, 0206, 0207, 0210, 0211, 0212, 0213, 0215, 0216, 0217, 0221, 0223, 0224, 0227, 0229, 0230, 0234, 0235, 0236, 0238, 0240, 0244, 0249, 0250, 0252, 0253, 0257, 0258, 0261, 0262, 0265, 0268, 0271, 0273, 0274, 0275, 0276, 0279, 0281, 0283, 0284, 0285, 0288, 0292, 0295, 0298, 0299, 0303, 0304, 0306, 0309, 0310, 0311, 0313, 0314, 0315, 0316, 0317, 0318, 0319, 0320, 0321, 0322, 0323, 0324, 0325, 0326, 0327, 0330, 0331, 0332, 0333, 0334, 0335, 0336, 0337, 0339, 0341, 0343, 0344, 0346, 0347, 0348, 0351, 0352, 0353, 0355, 0356, 0359, 0362, 0363, 0364, 0365, 0366, 0367, 0370, 0371, 0374, 0375, 0377, 0378, 0379, 0380, 0381, 0382, 0383, 0385, 0388, 0391, 0392, 0394, 0399.
	Note:	91944 Key—Woodruff— No. 808 Used on Type No. 0171.	478	395410	Panel—Instrument			
358	299719	Gasket Set	478A	221745	Panel—Instrument			
362	291630	Shield—Spark Plug (With Stop Switch)	481	230976	Bushing—Stator (Loose)			
363	19203	Puller—Flywheel (2-13/16" Bolt Spacing) (Optional Accessory)	482	93621	Screw—Sem			
370	222289	Washer—1/4" Flat	485	390888	Knob Assembly—Fuse			
380	22787	Washer—Flat	486	391507	Diode—Alternator			
383	89838	Wrench—Spark Plug	486A	67125	Fuse—7-1/2 Amp.			
387	390665	Pump—Impulse Order No. 394462 for Pump Repair Kit	488	222211	Bracket—Output			
	Note:	390818 Pump—Impulse Uses: 222221 Bracket—Fuel Pump Mounting 93380 Screw—Bracket to Pump (2) 93535 Screw—Bracket to Cylinder Used on Type Nos. 0170, 0182, 0198, 0248, 0309, 0331, 0638, 0679, 0744, 0755, 0759.	488A	222345	Bracket—Output Bracket Mounting			
423	93410	Screw—Cover Mounting	491	222344	Bracket—Rectifier			
445	390930	Cartridge—Air Cleaner	492	297779	Starter—Generator (Delco-Remy No. 1101864 and Pulley— Delco-Remy No. 1949358)			
451	90364	Washer—Lock— No. 8 x 3/64 x 1/32"	493	211785	Bracket—Upper Starter			
467	212706	Knob—Air Cleaner	493A	211169	Bracket—Lower Starter			
474	393474	Stator—Alternator	500	91325	Washer—Flat			
	Note:	393295 Stator— Alternator (10 Amp.) (Uses Ref. 878A)	501	393374	Regulator—Alternator (10 Amp.)			
474A	392595	Stator—Alternator (Tri-Circuit)	501A	297196	Regulator—Voltage (Saddle Mount) (Delco-Remy No. 1119577)			
			501B	295924	Regulator—Voltage (Flat Mount) (Delco-Remy No. 1118988)			
					Note: 296180 Regulator— Voltage (Flat Mount—High Output) (Delco-Remy No. 1119310) Used on Type No. 0199.			
			503	222331	Strap—Starter			
			506	90072	Screw—Machine Fill. Hd.—8-32 x 5/8"			
						507	280380	Insulator

326400 to 326499

REF. NO.	PART NO.	DESCRIPTION	REF. NO.	PART NO.	DESCRIPTION	REF. NO.	PART NO.	DESCRIPTION
507A	66895	Insulator	558	92268	Washer—Lock 3/8 x 1/8 x 3/32"			0630, 0638, 0647, 0648, 0659, 0660, 0669, 0673, 0678, 0679, 0686, 0705, 0712, 0723, 0724, 0725, 0726, 0732, 0735, 0737, 0740, 0744, 0750, 0755, 0756, 0759, 2562, 2581.
	Note:	299598 Insulator Used on Type No. 0131.	560	93306	Pin—Cotter—	569	*27351	Gasket—Engine Base
518	69932	Rope—Starter	561	92278	Nut—Hex.—1/4-20	571	299705	Support Assy.—Bearing (Magneto Side)
520	93722	Terminal—Spade	562	92613	Bolt—Governor Lever	572	291871	Guide—Front Air
521	291508	Shielding—Ignition Cable	564	92980	Screw—Cap, Hex. Hd.—1/4-20 x 1/2	573	299450	Plate—Back
523	390947	Cap and Dipstick— Oil Filler	565	93142	Screw—Bracket to Base Mounting	573A	391220	Plate—Back Used on Engines with ELECTRIC STARTERS
523A	390836	Cap Assy.—Oil Filler	567	291364	Crank Assy.—Governor	574	295158	Ammeter (Stewart Warner No. 357-W)
524	68838	Seal—Filler Pipe	568	291404	Base Assy.—Engine	575	396691	Stop Switch—Rotary
524A	65304	Gasket—Filler Cap		Note:	Engine Base for Type Nos. 0134 and 0135 is furnished by the Equipment Manufacturer	575A	299139	Switch—Starter (Includes (2) Terminal Nuts and Lockwashers)
525	390941	Pipe—Oil Filler			294751 Base Assy.— Engine	576	298579	Wire—Ignition Switch to Indicator Lamp
	Note:	390945 Pipe—Oil Filler Used on Type Nos. 0121, 0144, 0157, 0158, 0164, 0165, 0169, 0170, 0182, 0184, 0192, 0198, 0210, 0222, 0234, 0235, 0240, 0248, 0262, 0266, 0309, 0312, 0316, 0331, 0338, 0341, 0351, 0358, 0630, 0638, 0679, 0705, 0707, 0724, 0750, 0755, 2581. Tie Tag 280275 Used on Type Nos. 0170, 0198, 0248, 0331, 0638, 0679, 0744, 0755.			Used on Type Nos. 0020, 0023, 0050, 0139, 0145, 0150, 0151, 0152, 0155, 0159, 0175, 0191, 0199, 0203, 0206, 0208, 0212, 0218, 0219, 0226, 0356.	576A	295160	Wire—Ammeter to Switch
525A	93687	Nipple—Oil Filler			391165 Base Assy.— Engine	577	298582	Wire—Starter Switch to Ignition Switch and "Bat." on Regulator
526	93343	Screw—Regulator			Used on Type Nos. 0062, 0120, 0121, 0123, 0126, 0127, 0133, 0135, 0136, 0140, 0144, 0149, 0157, 0158, 0162, 0163, 0164, 0165, 0169, 0170, 0172, 0173, 0174, 0178, 0180, 0182, 0183, 0184, 0185, 0186, 0190, 0192, 0198, 0201, 0204, 0205, 0210, 0215, 0222, 0223, 0227, 0228, 0230, 0234, 0235, 0240, 0246, 0248, 0252, 0253, 0254, 0255, 0259, 0262, 0283, 0284, 0291, 0293, 0306, 0308, 0310, 0311, 0312, 0315, 0316, 0326, 0328, 0331, 0333, 0341, 0351, 0354, 0360, 0384, 0392,	577A	295161	Wire—Ammeter to Regulator
527	222192	Bracket—Alternator Harness				578	392683	Wire—Starter Switch
528	391498	Pipe—Fuel				578A	393109	Wire—Switch (Starter Switch to Alternator)
535	270782	Element—Air Cleaner				578B	298583	Wire—Starter Switch to Generator Terminal and Regulator and Indicator Light Terminal
536	391063	Cleaner Assembly—Air				578C	295162	Wire—Starter Switch
536A	392783	Cleaner Assembly—Air				586	22906	Lock—Flywheel Nut
552	393666	Bushing—Governor Crank Used after Code No. 7806131.				587	220509	Clamp—Cable
	Note:	23837 Bushing— Governor Crank (1-1/8" long) Used before Code No. 7806141.				588	211440	Bracket—Armature Mtg.
553	62222	Cup—Valve Spring				588A	211976	Bracket—Armature Mtg. Used on Engines with ELECTRIC STARTERS
556	90887	Screw—Cap, Hex. Hd.—3/8-16 x 1-1/4"				589	93473	Screw—Armature Bracket to Cylinder Mounting Sem

*Included in Gasket Set—
Part No. 299719.

326400 to 326499

REF. NO.	PART NO.	DESCRIPTION	REF. NO.	PART NO.	DESCRIPTION	REF. NO.	PART NO.	DESCRIPTION
590	93171	Screw—Sem	653	91442	Screw—Link Anchor Mounting	749	391061	Cover Assy.—Mag. Side
590A	93226	Screw—Hex. Head Sem		Note:	92909 Screw—Link Anchor Mounting Used on Type Nos. 0136, 0139, 0204, 0228.	749A	391361	Cover Assy.—Mag. Side
591	222251	Plug—Cam Shaft	654	230783	Nut—Contact Point Adjusting Screw			Used on Engines with ELECTRIC STARTERS ONLY;
592	231082	Nut—Hex.—10-24	655	222598	Anchor—Spring	750	93587	Screw—Magneto Side Cover Mounting Sem
592A	90358	Nut—Hex.—10-24	657	93107	Screw—Casing Clamp	751	22355	Washer—Flat
593	*270513	Shim—Magneto Side Bearing Support—.015" Thick		Note:	93469 Screw—Casing Clamp Used on Type No. 0644, 0672.	752	93554	Screw—Plug
	*270514	Shim—Magneto Side Bearing Support—.010" Thick	661	91203	Screw—Cap, Hex. Hd.—5/16-18 x 1-3/4"	753	231006	Shaft—Cam Gear
	*270515	Shim—Magneto Side Bearing Support—.005" Thick	663	93572	Screw—Thread Forming	754	93528	Bolt—Cam Gear Shaft
601	93053	Clamp—Fuel Pipe	664	93415	Screw—Sem	755	299706	Bearing Assy.—Cam Gear
605	221933	Bracket—Starter Angle	665	298860	Oil Minder	756	*270516	Shim—Cam Gear Bearing—.009" Thick
605A	297171	Bracket—Guard	668	260647	Spacer Used Between End of Ratchet and Starter Pulley		*270517	Shim—Cam Gear Bearing—.007" Thick
606	221931	Strap—Adjusting	669	222067	Bracket—Belt Guard		*270518	Shim—Cam Gear Bearing—.005" Thick
606A	221442	Strap—Adjusting	670	230900	Spacer—Fuel Tank Bracket Mtg. (2)	762	390048	Electric Starter—Generator and Panel Kit—12 Volt
608	392677	Starter Assy.—Rewind (Low Profile)	673	93705	Screw—Hex. Hd.	795	392697	Switch—Ignition (Toggle)
608A	298340	Starter Assy.—Rewind	676	393761	Deflector—Exhaust (Side Outlet)		Uses:	
613	93927	Screw—Hex. Hd.		Note:	For Spark Arrestor Assembly, Use No. 392390		93888 Hex.—Nut	
621	297472	Switch—Stop	676A	222902	Deflector—Exhaust (Louvered Outlet)		Note:	
635	66538	Elbow—Spark Plug	694	91324	Washer—Belt Guard	795A	298590	Switch—Ignition
636	92864	Washer—Lock	697	93832	Screw—Socket Hd. Cap No. 8-32 x 1/2"	805	231001	Locknut—Impulse Pump
637	66154	Washer—Back Plate Terminal	722	68768	Seal—Plunger	805A	93593	Nut—Belt Guard Bracket Mounting
638	26404	Washer—Back Plate Terminal	723	93516	Eyelet—Seal Retainer	809	390892	Rectifier—Alternator
639	*270176	Gasket—Breaker Cover	724	221873	Retainer—Plunger Seal	810	230950	Extension—Crankshaft
640	298141	Lead—Primary	726	391362	Gear—Flywheel Ring (Includes Mtg. Parts)	813	93732	Clamp—Stator Wire
642	222271	Cover—Air Cleaner	727	222968	Cover—Starter	814	392606	Wire Assy.—Alternator (Tri-Circuit)
643	222272	Cup—Air Cleaner	729	280590	Clip—Wire	814A	390867	Wire Assy.—Alternator
	Note:	222290 Washer—Air Cleaner Used on Type No. 0144, 0157, 0158, 0164, 0240.	736	93542	Nut—Clip	824	298586	Holder—Charge Indicator
645	230775	Bushing—Plunger	737	93546	Screw—Cap, Hex. Hd.—5/16-18 x 1-1/4"	825	67245	Lamp—Charge Indicator (#1893 T3-1/4 Bulb, Miniature Bayonet Base, 12 Volt)
646	221932	Brace—Upper Bracket	738	221944	Washer—Flat	826	392684	Wire—Panel (Starter Switch to Ground Wire Terminal)
646A	221472	Brace—Lower Bracket	741	261466	Gear Assy.—Idler	826A	298580	Wire—Ignition Switch to Ground
647	211170	Link—Anchor	742	93525	Retainer—E-Ring			
648	91439	Screw—Cap, Hex. Hd.—1/4-20 x 3/8"	744	93526	Washer—Belleville			
650	91814	Screw—Cap, Hex. Hd.—3/8-16 x 2"	746	211927	Gear—Drive			
651	92034	Screw—Cap, Hex. Hd.—5/16-18 x 1/2"						
652	91162	Screw—Bracket to Bracket						

*Included in Gasket Set—Part No. 299719.

326400 to 326499

REF. NO.	PART NO.	DESCRIPTION	REF. NO.	PART NO.	DESCRIPTION	REF. NO.	PART NO.	DESCRIPTION
827	298581	Wire—Ignition Switch to Breaker Box	848	392393	Cover Assembly—Air Cleaner	877B	393537	Connector Assembly (Tri-Circuit)
828	298578	Wire—Regulator to Generator	849	392391	Base Assembly—Air Cleaner	878	393362	Alternator Harness Assy. (Dual Circuit)
834	93744	Washer—Lock	850	270987	Seal—Base	878A	393422	Alternator Harness Assembly
835	222370	Bracket—Wire Harness	851	221798	Terminal—Ignition Cable	883	270917	Gasket—Exhaust
838	211983	Ring—Starter Adapter	854	392884	Bracket Assembly—Stop Switch	887	391529	Stator Assembly—Alternator (D.C.)
840	395408	Kit—Starter Panel (Toggle) Use 392918 Panel Kit before Code No. 8110211.	861	394462	Pump Repair Kit (Walbro)	897	394970	Module Assembly (MAGNETRON® Ignition) Used after Code No. 8108011 and before Code No. 8501221.
	Note:	395409 Kit—Starter Panel (Key) Use 392725 Panel Kit before Code No. 8110211.	864	394584	Adaptor Group—Muffler	900	230890	Shaft—Idler Gear
840A	298561	Kit—Starter Generator Panel	864A	394337	Adaptor—Muffler	917	223271	Valve Handle—Fuel Shut-Off
841	297197	Clamp—Regulator	870	21612	Seat—Exhaust Valve	944	94004	Bolt—Starter Panel
844	261269	Spring—Diode	871	231218	Guide—Valve Stem See Repair Manual	945	223159	Bracket—Starter Panel
			877	393456	Diode and Connector Assy. (Dual Circuit)			
			877A	393814	Diode and Connector Assy. (D.C.)			

