

# Illustrated Parts List

## Model Series

# 326400

TYPE NUMBERS  
0010 through 0080,  
0110 through 0399,  
0611, 0620,  
0630 through 0799,  
0801 through 0804,  
1160, 2256,  
2520 through 2563,  
2580, 2581, 2582,  
2583, 2596.

### TO FIND

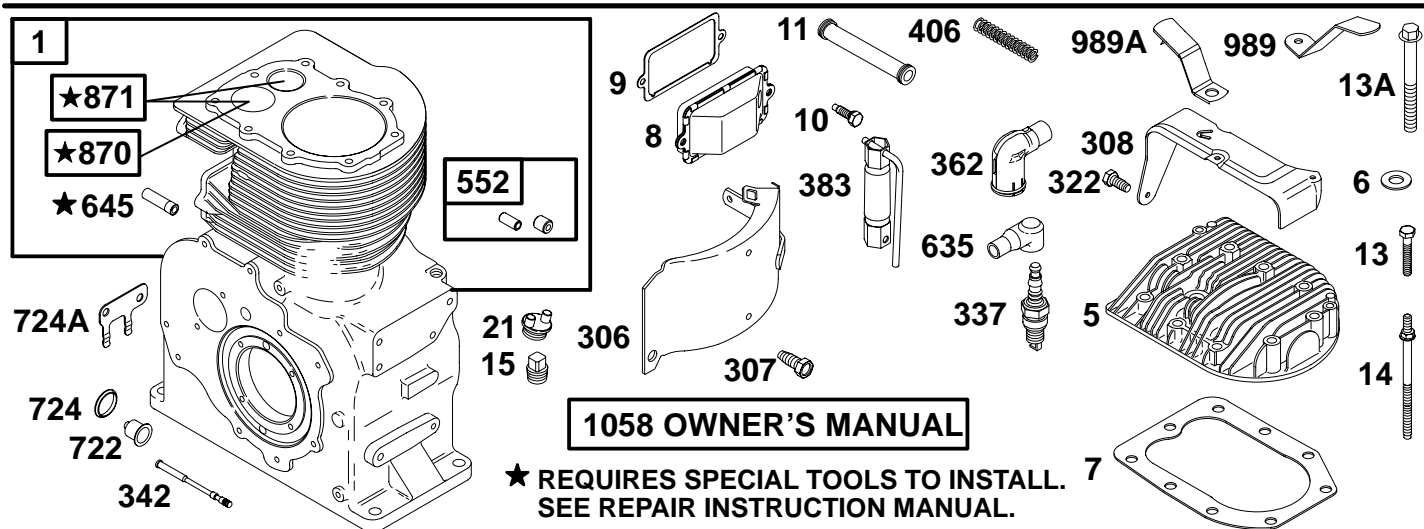
### THE CORRECT NUMBER OF THE PART YOU NEED: FOLLOW THE INSTRUCTIONS BELOW

- A. Refer to Engine Model, Type and Code Number that is stamped on the blower housing of engine. Engine type numbers such as 0123 01 are listed only as 0123 in most instances. The two digits (01 or 02, etc.) to the right of the space may be required for more accurate parts identification in some instances. Select the Illustrated Parts List covering the correct Model Series and Type Number.
- B. Refer to the Illustrations and compare the original part with Illustration. The number next to the illustration is the Reference Number. Assemblies include all parts shown in frames. All parts shown in assembly frames having individual reference numbers can be purchased separately.
- C. After the Reference Number has been identified, refer to the Numerical text, where Reference and Primary Part Number are listed. **THE PRIMARY PART IS USED ON ALL TYPE NUMBERS EXCEPT THOSE TYPE NUMBERS UNDER "NOTE."**
- D. If a "Note" appears below the Primary Part Number, it means that this part differs from the Primary Part for certain types. If your Type number is listed under "Note," order the part referred to at the "Note."
- E. If your Engine Type Number does not appear after any part number listed under "Note," use the Primary Part Number.
- F. For Engine Type Numbers not covered by this book, check other Parts Lists having the same engine model or contact your source of supply.

PRINTED IN U.S.A.



COPYRIGHT by BRIGGS & STRATTON CORPORATION  
All rights reserved. No part of this material may be reproduced or transmitted, in any form or by any means, electronic or mechanical, including photocopying, recording or by any information storage and retrieval system, without permission in writing from Briggs & Stratton Corporation.



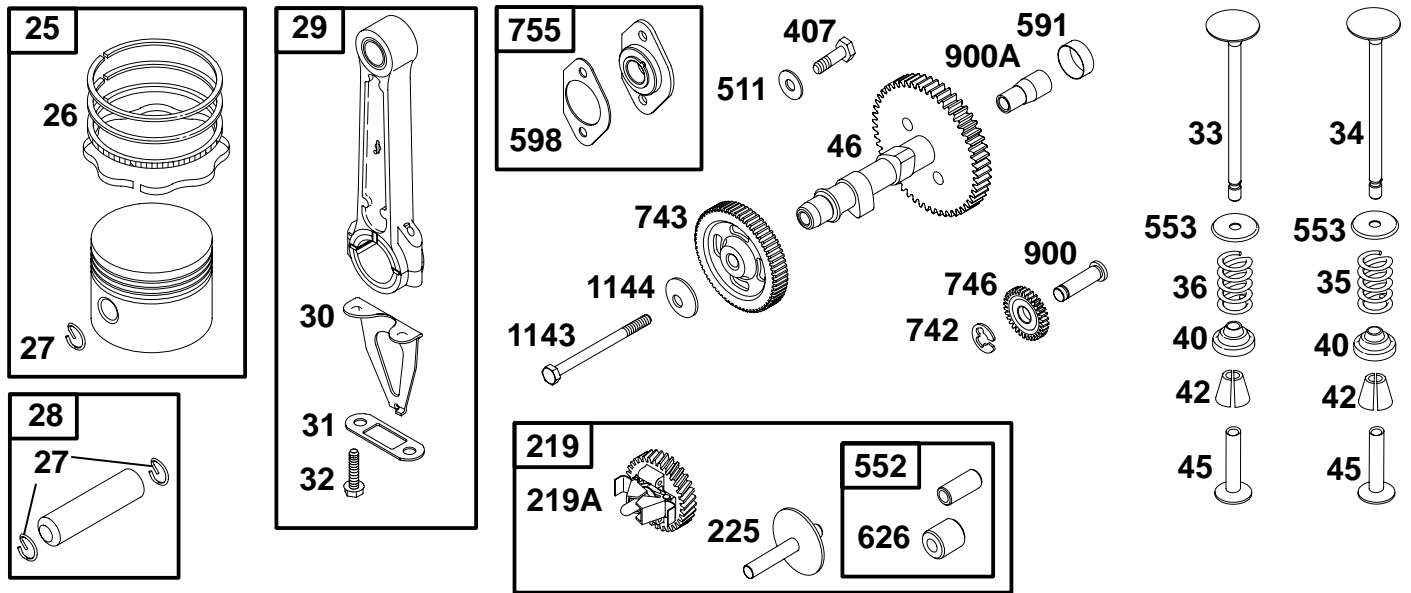
REF. NO.	PART NO.	DESCRIPTION	REF. NO.	PART NO.	DESCRIPTION	REF. NO.	PART NO.	DESCRIPTION
1	395663	Cylinder Assembly (Used After Code Date 81073100). —— <b>Note</b> —— 392096 Cylinder Assembly (Includes Piston and Ring Assembly) (Used Before Code Date 78061400).	15	692833	Plug—Oil Drain	724A	221873	Retainer—Seal
			21	281658	Cap—Oil Fill	870	691583	Seat—Valve (Exhaust)
			306	299536	Shield—Cylinder	871	231218	Bushing—Valve Guide
			307	690294	Screw (Cylinder Shield)	989	690578	Stop Switch—Spark Plug —— <b>Note</b> —— 293739 Stop Switch—Spark Plug Used on Type No(s). 0200.
5	691712	Head—Cylinder	308	691731	Cover—Cylinder Head (Used After Code Date 75060800). —— <b>Note</b> —— 221953 Cover—Cylinder Head (Used Before Code Date 75060900). Used on Type No(s). 0291, 0648.			298926 Stop Switch—Spark Plug Used on Type No(s). 0028, 0062, 0138, 0187, 0195, 0220, 0232, 0237, 0238, 0243, 0266, 0295, 0320, 0327, 0658, 0663, 0675, 0680, 0681, 0687, 0691, 0729, 0730, 0735, 2528, 2562.
6	691261	Washer (Cylinder Head)						390785 Stop Switch—Spark Plug Used on Type No(s). 0640, 0734.
7	★Ø692231	Gasket—Cylinder Head	322	692198	Screw (Cylinder Head Cover)	989A	690633	Stop Switch—Spark Plug
8	495738	Breather Assembly	337	492167	Plug—Spark —— <b>Note</b> —— 802592 Plug—Spark (Resistor)	1058	270373	Owner's Manual
9	★Ø27803	Gasket—Breather						
10	690294	Screw (Breather Assembly)	342	298125	Plunger—Breaker			
11	691512	Tube—Breather	362	691954	Shield—Spark Plug			
13	691614	Screw (Cylinder Head) (1 3/4" Long) —— <b>Note</b> —— 691640 Screw (Cylinder Head) (2 1/16" Long)	383	89838	Wrench—Spark Plug			
			406	690533	Spring—Breather Tube			
13A	691641	Screw (Cylinder Head) (2 7/16" Long)	552	393666	Bushing—Governor Crank			
			635	66538	Boot—Spark Plug			
14	691690	Stud (Cylinder Head)	645	692880	Bushing—Plunger			
			722	68768	Seal—Plunger			
			724	93516	Retainer—Seal			

★ Included in Engine Gasket Set—Ref. No. 358.

● Included in Carburetor Overhaul Kit—Ref. No. 121.

Ø Included in Valve Gasket Set—Ref. No. 1095.

# 326400 to 326499

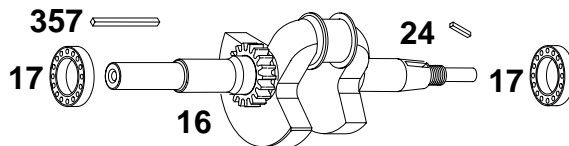


REF. NO.	PART NO.	DESCRIPTION	REF. NO.	PART NO.	DESCRIPTION	REF. NO.	PART NO.	DESCRIPTION
25	390364	Piston Assembly (Standard)	29	299632	Rod-Connecting (Standard)	219	291192	Gear-Governor
		<b>Note</b>			<b>Note</b>	219A	393720	Gear-Governor
		390365 Piston Assembly (.010" Oversize)			390306 Rod-Connecting (.020" Undersize)	225	691357	Shaft-Governor Gear
		390366 Piston Assembly (.020" Oversize)	30	691726	Dipper-Connecting Rod	407	690810	Screw (Camshaft Bearing)
		390367 Piston Assembly (.030" Oversize)	31	690396	Lock-Rod Screw	511	690402	Washer (Camshaft Bearing)
26	390484	Ring Set (Standard)	32	692345	Screw (Connecting Rod)	552	393666	Bushing-Governor Crank
		<b>Note</b>	33	394436	Valve-Exhaust	553	690269	Retainer-Valve Spring
		390679 Ring Set (Standard) (Chrome)	34	394435	Valve-Intake	591	691746	Plug-Camshaft
		390486 Ring Set (.010" Oversize)	35	691597	Spring-Valve (Intake)	598	*270516	Shim-End Play (Crankshaft) (.009" Thick)
		390505 Ring Set (.020" Oversize)	36	691597	Spring-Valve (Exhaust)			<b>Note</b>
		390507 Ring Set (.030" Oversize)	40	691939	Retainer-Valve			*270517 Shim-End Play (Crankshaft) (.007" Thick)
27	691792	Lock-Piston Pin			<b>Note</b>			*270518 Shim-End Play (Crankshaft) (.005" Thick)
28	299691	Pin-Piston (Standard)	42	494553	Keeper-Valve (Used After Code Date 80111200).	626	690512	Spacer-Governor Crank
		<b>Note</b>			<b>Note</b>	742	691080	Retainer-E Ring
		391286 Pin-Piston (.005" Oversize)	45	691594	Tappet-Valve	743	691153	Gear-Drive
			46	692855	Camshaft	746	691803	Gear-Idler
						755	299706	Bearing-Camshaft
						900	691767	Shaft-Gear
						900A	691768	Shaft-Gear
						1143	691081	Screw (Drive Gear Cover)
						1144	690301	Washer (Drive Gear Cover)

★ Included in Engine Gasket Set-Ref. No. 358.

● Included in Carburetor Overhaul Kit-Ref. No. 121.

∅ Included in Valve Gasket Set-Ref. No. 1095.



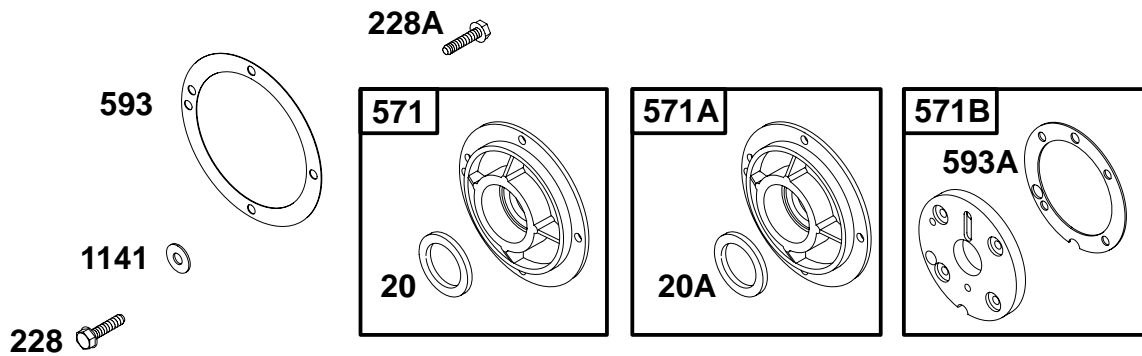
REF. NO.	PART NO.	DESCRIPTION	REF. NO.	PART NO.	DESCRIPTION
16	691797	Crankshaft <div style="text-align: center;">———— <b>Note</b> ————</div> <b>690534</b> Crankshaft Used on Type No(s). 0237, 0133, 0190, 0252, 0315, 0788, 2582. <b>261221</b> Crankshaft Used on Type No(s). 0136. <b>261222</b> Crankshaft Used on Type No(s). 0139, 0204, 0228, 0328, 0678. <b>690535</b> Crankshaft Used on Type No(s). 0050, 0116, 0130, 0143, 0147, 0149, 0150, 0151, 0156, 0167, 0170, 0172, 0173, 0174, 0185, 0186, 0188, 0192, 0193, 0208, 0219, 0231, 0248, 0257, 0286, 0290, 0310, 0317, 0318, 0329, 0337, 0343, 0371, 0636, 0638, 0666, 0669, 0684, 0690, 0706, 0721, 0751, 2550. <b>261225</b> Crankshaft Used on Type No(s). 0113, 0171, 0196, 0304, 0319, 0322. <b>690536</b> Crankshaft Used on Type No(s). 0022, 0063, 0114, 0129, 0153, 0175, 0176, 0183, 0198, 0205, 0217, 0224, 0233, 0235, 0236, 0238, 0247, 0255, 0261, 0265, 0266, 0273, 0277, 0278, 0279, 0285, 0287, 0291, 0296, 0303, 0320, 0334, 0338, 0340, 0344, 0345, 0346, 0347, 0348,			0353, 0359, 0361, 0363, 0366, 0367, 0374, 0375, 0383, 0385, 0394, 0396, 0633, 0634, 0648, 0650, 0654, 0661, 0671, 0674, 0676, 0680, 0687, 0692, 0693, 0694, 0696, 0698, 0699, 0702, 0703, 0708, 0714, 0718, 0722, 0724, 0729, 0733, 0736, 0746, 0753, 0754, 0757, 0764, 0771, 0772, 0774, 0776, 0782, 0787, 2522, 2563, 2596. <b>261255</b> Crankshaft Used on Type No(s). 0158, 0160, 0197, 0216, 0237. <b>690537</b> Crankshaft Used on Type No(s). 0210, 0262, 0630. <b>690540</b> Crankshaft Used on Type No(s). 0062, 0241, 0242, 0243, 0244, 0260, 0269, 0272, 0292, 0295, 0297, 0300, 0302, 0312, 0327, 0352, 0365, 0369, 0373, 0391, 0635, 0670, 0681, 0686, 0691, 0719, 0723, 0726, 0730, 0732, 0735, 0737, 0740, 0744, 0745, 0750, 0755, 0759, 0780, 0786, 2562. <b>690541</b> Crankshaft Used on Type No(s). 0061, 0124, 0246, 0253, 0305, 0308, 0335, 0341, 0342, 0646, 0710, 0711, 0713, 0728, 0781, 0785, 2529, 2561.
					<b>690543</b> Crankshaft Used on Type No(s). 0259, 0293, 0647, 0756. <hr/> <b>691806</b> Crankshaft (Used After Code Date 77072410). Used on Type No(s). 0021, 0112, 0128, 0181, 0189, 0203, 0209, 0254, 0256, 0258, 0314, 0321, 0357, 0362, 0368, 0395, 0656, 0668, 0675, 0709, 0717, 0739, 0743, 0752, 0765, 0778, 0779, 0784, 0789, 0790, 0792, 0793, 0794, 0801, 0802, 0804, 2521, 2526, 2530. <b>261219</b> Crankshaft (Used Before Code Date 77072510). Used on Type No(s). 0021, 0112, 0128, 0181, 0189, 0203, 0209, 0254, 0256, 0258, 0314, 0321, 0357, 0362, 0368, 0395, 0656, 0668, 0675, 0709, 0717, 0739, 0743, 0752, 0765, 0778, 0779, 0784, 0789, 0790, 0792, 0793, 0794, 0801, 0802, 0804, 2521, 2526, 2530. <hr/> <b>690546</b> Crankshaft Used on Type No(s). 0682, 2560. <b>261944</b> Crankshaft Used on Type No(s). 0720, 0758, 0788.
					<b>17</b> <b>691938</b> Bearing—Ball <b>24</b> <b>222698</b> Key—Flywheel <b>357</b> <b>691483</b> Key—Drive Pulley

★ Included in Engine Gasket Set—Ref. No. 358.

● Included in Carburetor Overhaul Kit—Ref. No. 121.

∅ Included in Valve Gasket Set—Ref. No. 1095.

# 326400 to 326499

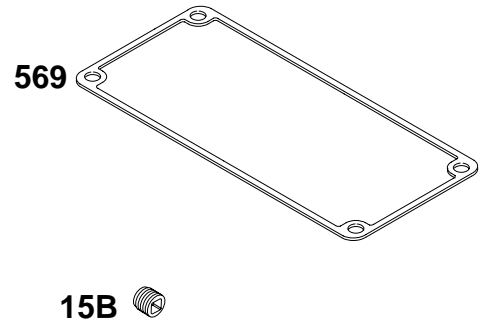
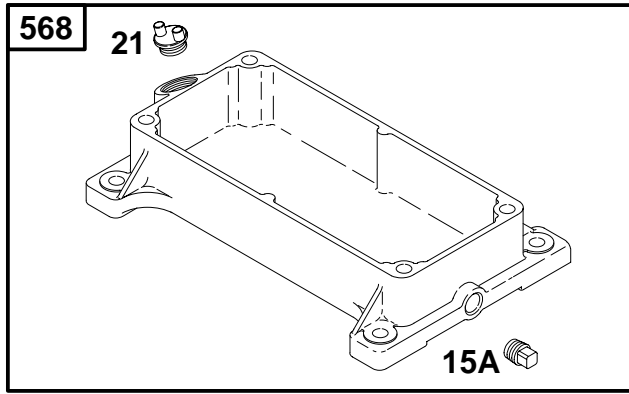


REF. NO.	PART NO.	DESCRIPTION	REF. NO.	PART NO.	DESCRIPTION	REF. NO.	PART NO.	DESCRIPTION
20	★691948	Seal–Oil (PTO Side)			0329, 0334, 0337, 0338, 0340, 0344, 0345, 0347, 0357, 0359, 0361, 0368, 0373, 0374, 0383, 0385, 0395, 0396, 0634, 0636, 0648, 0650, 0656, 0661, 0666, 0670, 0671, 0674, 0675, 0684, 0686, 0690, 0692, 0693, 0696, 0698, 0699, 0702, 0703, 0706, 0708, 0709, 0714, 0717, 0721, 0724, 0726, 0732, 0733, 0735, 0737, 0739, 0740, 0743, 0744, 0745, 0746, 0750, 0751, 0752, 0753, 0754, 0755, 0757, 0759, 0771, 0776, 0780, 0783, 0784, 0789, 0794, 0801, 0802, 2522, 2550, 2562, 2563, 2596.	571B	299705	Support–Bearing (Magneto Side)
20A	★291675	Seal–Oil (PTO Side)				593	★691311	Gasket–Bearing Support
228	93415	Screw (Bearing Support)				593A	★270513	Gasket–Bearing Support (.015"Thick)
228A	691058	Screw (Bearing Support)				<b>Note</b>		
571	391062	Support–Bearing						★270514 Gasket– Bearing Support (.010"Thick)
571A	291665	Support–Bearing Used on Type No(s). 0022, 0050, 0062, 0063, 0112, 0113, 0114, 0116, 0130, 0143, 0147, 0149, 0150, 0151, 0153, 0156, 0160, 0167, 0171, 0172, 0173, 0174, 0175, 0176, 0183, 0185, 0186, 0188, 0192, 0193, 0196, 0197, 0198, 0205, 0208, 0209, 0216, 0217, 0219, 0224, 0233, 0235, 0236, 0241, 0242, 0244, 0247, 0255, 0256, 0257, 0260, 0261, 0265, 0266, 0269, 0272, 0273, 0277, 0278, 0279, 0285, 0286, 0287, 0290, 0291, 0292, 0296, 0297, 0302, 0303, 0304, 0310, 0312, 0318, 0327,						★270515 Gasket– Bearing Support (.005"Thick)
						1141	690402	Washer (Bearing Support)
								<b>Note</b> 291710 Support– Bearing Used on Type No(s). 0647, 0668, 0682, 0713, 0717, 0755, 0772, 0782, 0788, 0790, 0792, 0793, 0801, 0804, 2521, 2530.

★ Included in Engine Gasket Set–Ref. No. 358.

● Included in Carburetor Overhaul Kit–Ref. No. 121.

∅ Included in Valve Gasket Set–Ref. No. 1095.

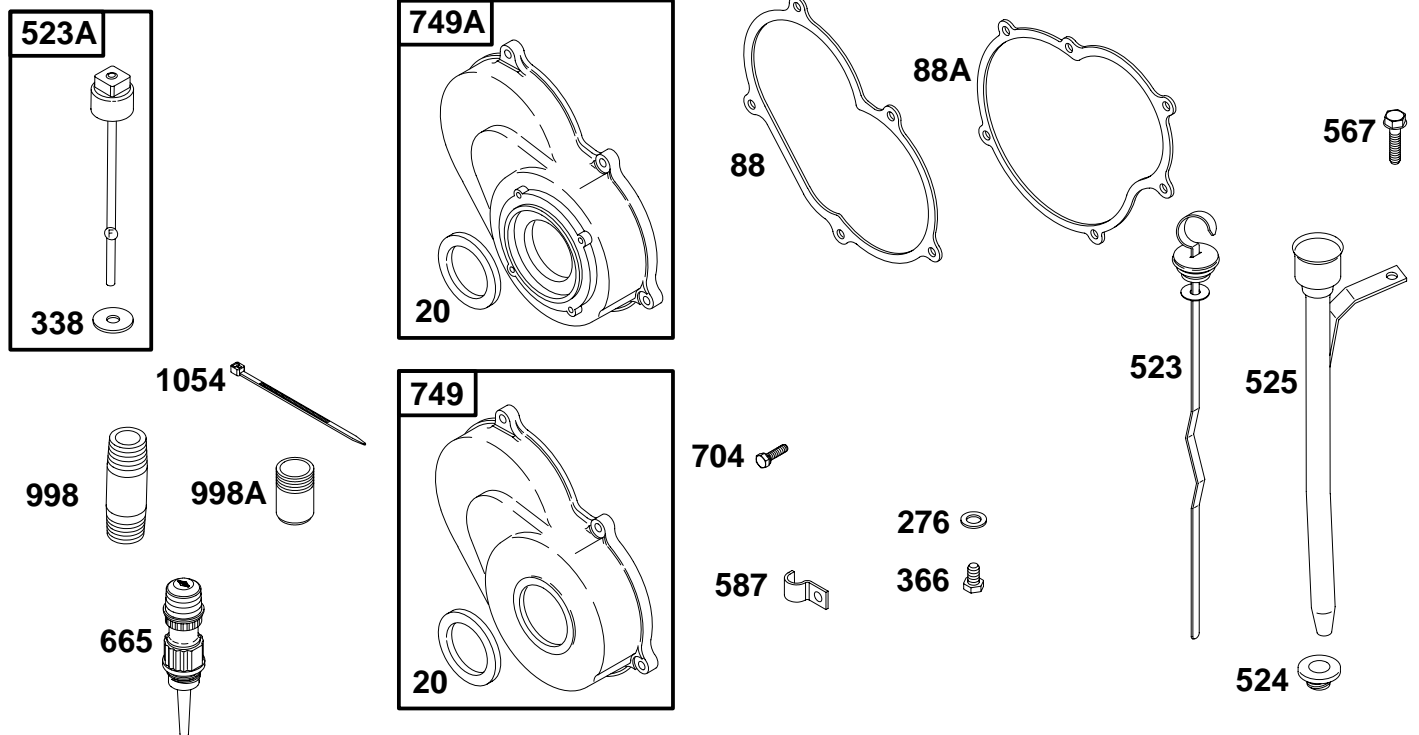


REF. NO.	PART NO.	DESCRIPTION	REF. NO.	PART NO.	DESCRIPTION	REF. NO.	PART NO.	DESCRIPTION
15A	690946	Plug—Oil Drain		391165	Base—Engine	569	*691569	Gasket—Engine Base
15B	691680	Plug—Oil Drain			Used on Type No(s).			
21	281658	Cap—Oil Fill			0062, 0120, 0121,			
568	291404	Base—Engine			0123, 0126, 0127,			
		Used on Type No(s).			0133, 0135, 0136,			
		0134, 0135.			0140, 0144, 0149,			
		<b>Note</b>			0157, 0158, 0162,			
		294751 Base—Engine			0163, 0164, 0165,			
		Used on Type No(s).			0169, 0170, 0172,			
		0020, 0023, 0050,			0173, 0174, 0178,			
		0139, 0145, 0150,			0180, 0182, 0183,			
		0151, 0152, 0155,			0184, 0185, 0186,			
		0159, 0175, 0191,			0190, 0192, 0198,			
		0199, 0203, 0206,			0201, 0204, 0205,			
		0208, 0212, 0218,			0210, 0215, 0222,			
		0219, 0226, 0356,			0223, 0227, 0228,			
		0804, 2583.			0230, 0234, 0235,			
					0240, 0246, 0248,			
					0252, 0253, 0254,			
					0255, 0259, 0262,			
					0283, 0284, 0291,			
					0293, 0306, 0308,			
					0310, 0311, 0312,			
					0315, 0316, 0326,			
					0328, 0331, 0333,			
					0341, 0351, 0354,			
					0360, 0384, 0392,			
					0630, 0638, 0647,			
					0648, 0649, 0659,			
					0660, 0669, 0673,			
					0678, 0679, 0686,			
					0705, 0712, 0723,			
					0724, 0725, 0726,			
					0732, 0735, 0737,			
					0740, 0744, 0750,			
					0755, 0756, 0759,			
					0780, 0781, 0786,			
					2562, 2581.			

★ Included in Engine Gasket Set—Ref. No. 358.  
 ● Included in Carburetor Overhaul Kit—Ref. No. 121.

∅ Included in Valve Gasket Set—Ref. No. 1095.

# 326400 to 326499

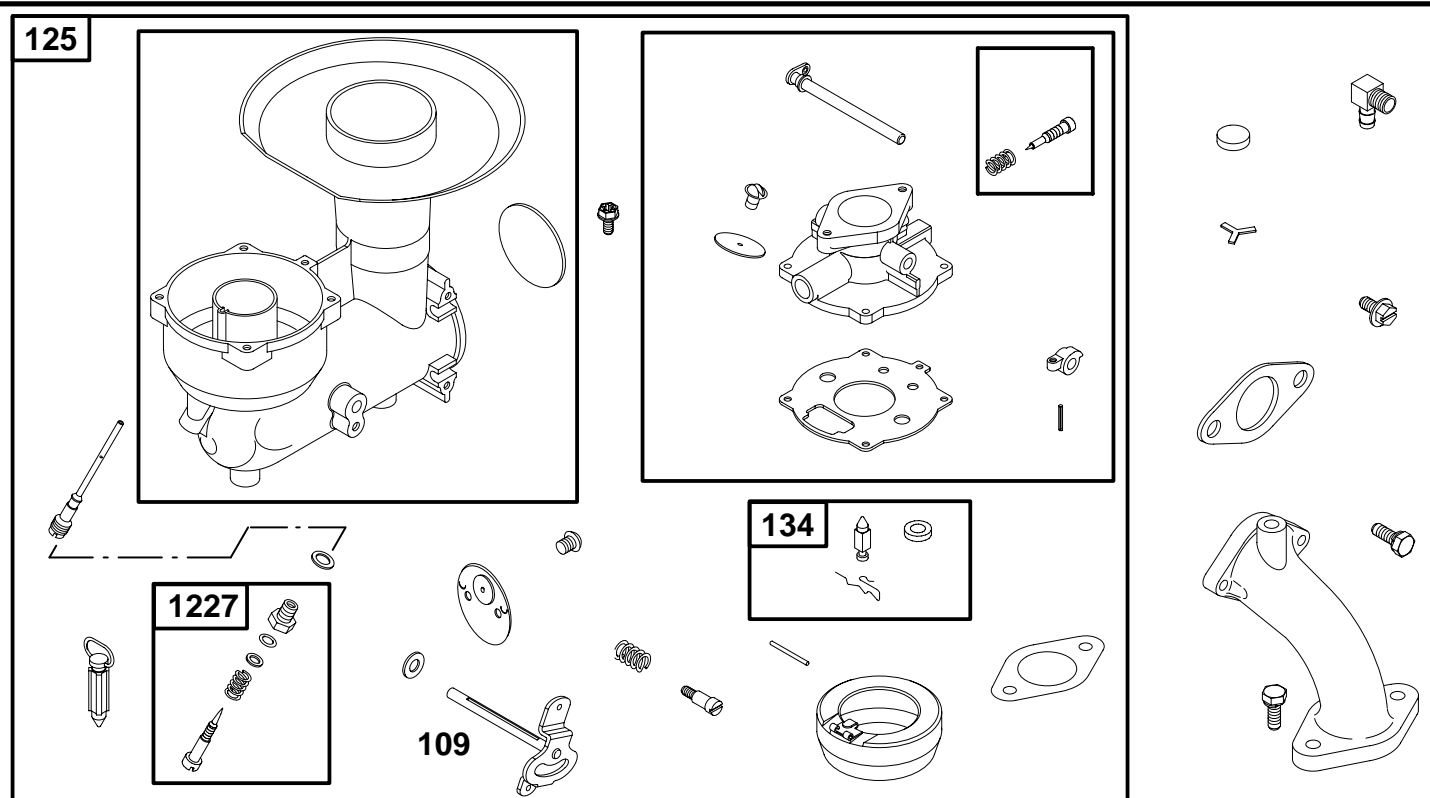


REF. NO.	PART NO.	DESCRIPTION	REF. NO.	PART NO.	DESCRIPTION	REF. NO.	PART NO.	DESCRIPTION
20	★691948	Seal—Oil (PTO Side)	525	690622	Tube—Dipstick	567	691104	Screw (Engine Base)
88	★691310	Gasket—Gear Reduction Cover (Magneto Side)			<b>Note</b>	587	690389	Clamp—Cable
88A	★692914	Gasket—Gear Reduction Cover (PTO Side)			690623 Tube—Dipstick Used on Type No(s). 0121, 0144, 0157, 0158, 0164, 0165, 0169, 0170, 0182, 0184, 0192, 0198, 0210, 0222, 0234, 0235, 0240, 0248, 0262, 0266, 0309, 0312, 0316, 0331, 0338, 0341, 0351, 0358, 0630, 0638, 0679, 0705, 0707, 0724, 0744, 0750, 0770, 1160.	665	298860	Minder—Oil
276	690258	Washer—Sealing			491872 Tube—Dipstick (Used After Code Date 88102500). Used on Type No(s). 0755, 2581.	704	691083	Screw (Counterweight Cover)
338	★690270	Gasket—Dipstick			690623 Tube—Dipstick (Used Before Code Date 88102600). Used on Type No(s). 0755, 2581.	749	391061	Cover—Counterweight
366	690304	Screw (Timing Hole Plug)				749A	391361	Cover—Counterweight <b>(Used on Alternator Equipped Engines)</b>
523	691352	Dipstick				998	690307	Pipe—Oil
523A	690620	Dipstick				998A	690502	Pipe—Oil
524	★281370	Seal—Dipstick Tube				1054	280275	Tie—Cable

★ Included in Engine Gasket Set—Ref. No. 358.

● Included in Carburetor Overhaul Kit—Ref. No. 121.

∅ Included in Valve Gasket Set—Ref. No. 1095.



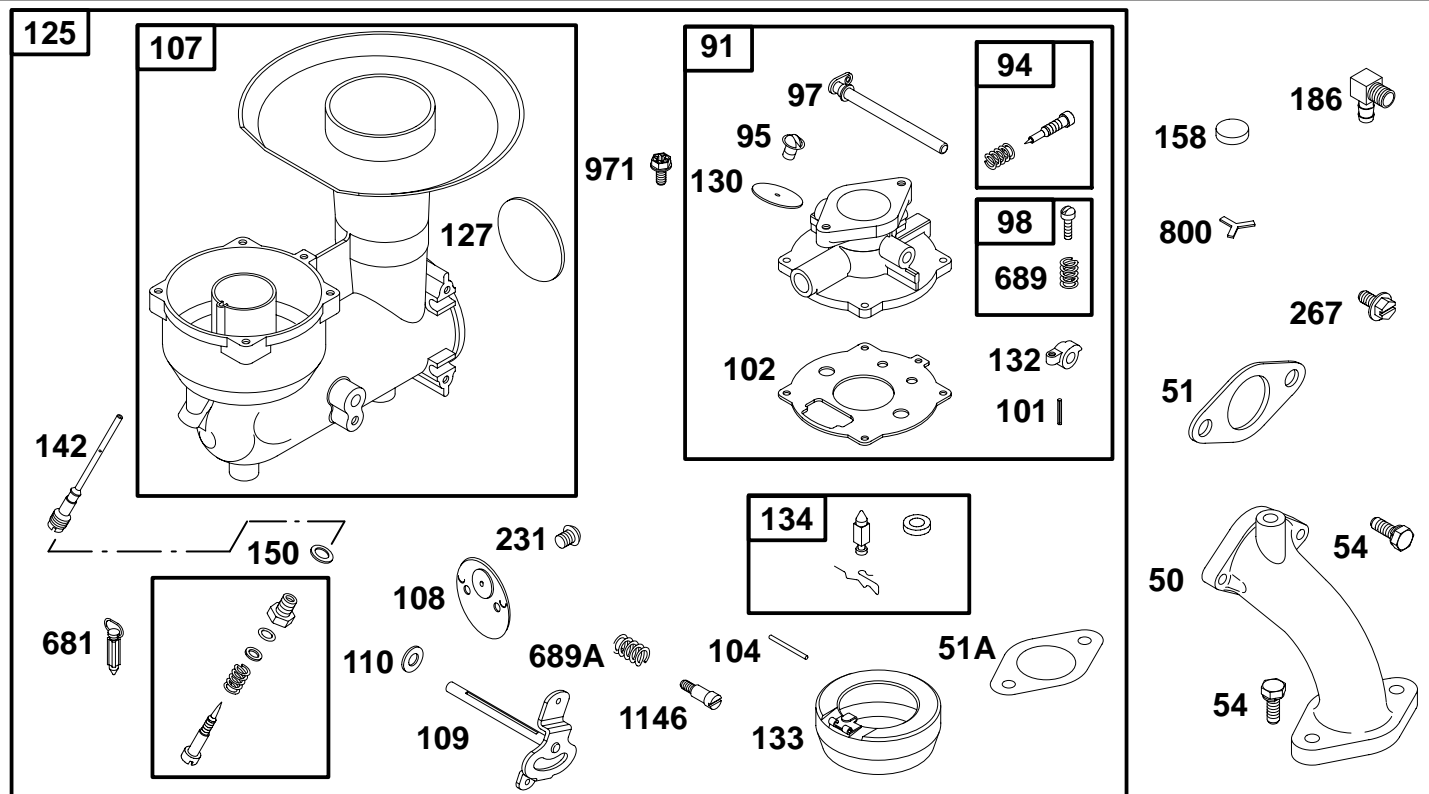
REF. NO.	PART NO.	DESCRIPTION	REF. NO.	PART NO.	DESCRIPTION	REF. NO.	PART NO.	DESCRIPTION
109	691353	Shaft-Choke <b>Note</b> <b>690617</b> Shaft-Choke Used on Type No(s). 0121, 0127, 0133, 0134, 0135, 0136, 0139, 0140, 0144, 0149, 0157, 0158, 0162, 0163, 0164, 0165, 0166, 0169, 0170, 0172, 0180, 0184, 0185, 0186, 0192, 0201, 0204, 0206, 0211, 0212, 0213, 0226, 0227, 0228, 0229, 0249, 0251, 0271, 0298, 0326, 0328, 0332, 2581, 2582.	125	391065	Carburetor <b>Note</b> <b>391068</b> Carburetor Used on Type No(s). 0121, 0144, 0157, 0158, 0164, 0165, 0169, 0170, 0184, 0192, 0240, 0331. <b>391070</b> Carburetor Used on Type No(s). 0127, 0133, 0134, 0135, 0136, 0139, 0140, 0149, 0162, 0163, 0166, 0172, 0173, 0180, 0185, 0186, 0201, 0204, 0206, 0211, 0212, 0213, 0226, 0227, 0228, 0229, 0249, 0251, 0271, 0298, 0326, 0328, 0332. <b>392035</b> Carburetor Used on Type No(s). 0182, 0210, 0222, 0309.			<b>392235</b> Carburetor Used on Type No(s). 0198, 0234, 0235, 0248, 0266, 0312, 0316, 0338, 0341, 0351, 0358, 0707, 0724, 0744, 0750, 0759, 0770. <b>393431</b> Carburetor Used on Type No(s). 0262, 0630. <b>395320</b> Carburetor (Gasoline/Kerosene) Used on Type No(s). 0080, 0386, 0387, 0393, 0395, 0396, 0397, 0631, 0640, 0641, 0662, 2580.
						134	●394681	Kit-Needle/Seat <b>Note</b> <b>394682</b> Kit-Needle/ Seat (Includes Brass Seat) <b>394683</b> Kit-Needle/ Seat (Includes Brass Seat) (For Use With Impulse Pump)
						1227	●99525	Valve-High Speed

★ Included in Engine Gasket Set-Ref. No. 358.  
 ● Included in Carburetor Overhaul Kit-Ref. No. 121.

∅ Included in Valve Gasket Set-Ref. No. 1095.



# 326400 to 326499

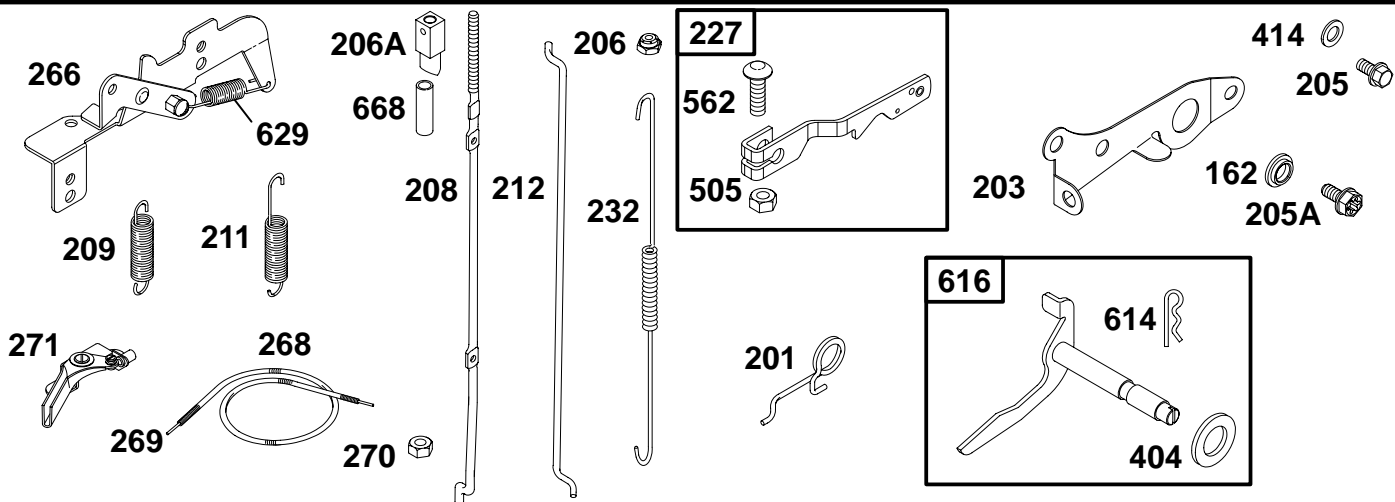


REF. NO.	PART NO.	DESCRIPTION	REF. NO.	PART NO.	DESCRIPTION	REF. NO.	PART NO.	DESCRIPTION
50	691152	Manifold-Intake ——— <b>Note</b> ——— <b>692525</b> Manifold-Intake Used on Type No(s). 0248, 0308, 0358, 0638, 0707, 0770.	102	●692215	Gasket-Carburetor Body			——— <b>Note</b> ——— <b>390950</b> Nozzle-Carburetor (Standard) (Labeled 40) (Used Before Code Date 81090900).
51	★Ø27381	Gasket-Intake	104	●691775	Pin-Float Hinge	150	●691610	Gasket-Nozzle
51A	★●692214	Gasket-Intake	107	391069	Body-Lower Carburetor	158	27590	Plug-Carburetor Filter/Drain
54	93415	Screw (Intake Manifold)	108	690621	Valve-Choke	186	691764	Connector-Hose
91	299687	Body-Upper Carburetor ——— <b>Note</b> ——— <b>391067</b> Body-Upper Carburetor Used on Type No(s). 0121, 0144, 0157, 0158, 0164, 0165, 0169, 0170, 0182, 0184, 0192, 0240, 0309, 0331, 0630, 0707, 0724, 0770.	109		Shaft-Choke <b>(See Previous Page)</b>	231	691437	Screw (Choke Valve)
94	●292681	Kit-Idle Mixture	110	691186	Washer (Choke Shaft)	267	691082	Screw (Casing Clamp)
95	691437	Screw (Throttle Valve)	125		Carburetor <b>(See Previous Page)</b>	681	391213	Kit-Needle/Seat
97	691944	Shaft-Throttle	127	●690627	Plug-Welch	689	691591	Spring-Friction
98	693942	Kit-Idle Speed	130	691727	Valve-Throttle	689A	691590	Spring-Friction
101	691616	Pin-Shaft	132	691708	Stop-Throttle	800	220521	Retainer-Carburetor Drain
			133	692265	Float-Carburetor	971	691090	Screw (Air Cleaner Base to Carburetor)
			134		Kit-Needle/Seat <b>(See Previous Page)</b>	1146	691587	Screw (Choke Shaft)
			142	●691966	Nozzle-Carburetor (Standard) (Labeled B) (Used After Code Date 81090800).			

★ Included in Engine Gasket Set-Ref. No. 358.

● Included in Carburetor Overhaul Kit-Ref. No. 121.

Ø Included in Valve Gasket Set-Ref. No. 1095.



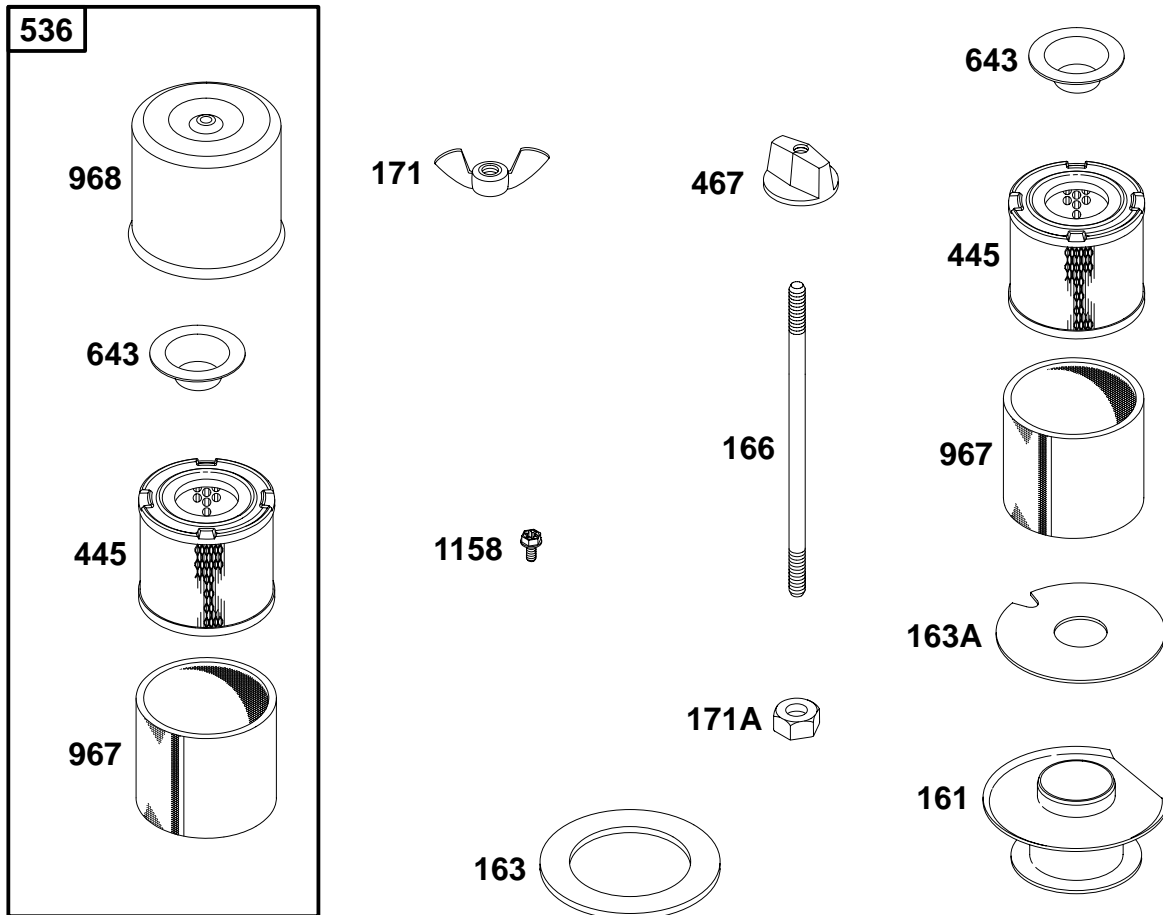
REF. NO.	PART NO.	DESCRIPTION	REF. NO.	PART NO.	DESCRIPTION	REF. NO.	PART NO.	DESCRIPTION
162	690267	Collar–Bell Crank	212	691791	Link–Throttle	268	691025	Casing–Control Wire (Cut to Required Length)
201	261027	Link–Air Vane Used on Type No(s). 0234, 0705.			<b>Note</b> 691595 Link–Throttle Used on Type No(s). 0248, 0308, 0358, 0638, 0707, 0770.	269	691026	Wire–Control (Cut to Required Length)
203	690263	Crank–Bell	227	690607	Lever–Governor Control	270	691027	Nut (Control Wire Casing)
205	93415	Screw (Bell Crank) Used on Type No(s). 0136, 0139, 0204, 0228, 0234, 0248, 0328, 0678, 0705.			<b>Note</b> 690616 Lever–Governor Control Used on Type No(s). 0611, 0630, 0647, 0651, 0684, 0690, 0706, 0721, 0660, 0671, 0675, 0681, 0683, 0685, 0689, 0692, 0694, 0697, 0699, 0801, 2520, 2527, 2528, 2529, 2550, 2561, 2581, 2582.	271	691028	Lever–Control
205A	690810	Screw (Bell Crank)			221987 Lever–Governor Control Used on Type No(s). 0678, 0705.	404	690264	Washer (Governor Crank)
206	691079	Nut–Governor Adjusting	232	690545	Spring–Governor Link	414	692810	Washer (Bell Crank) Used on Type No(s). 0136, 0139, 0204, 0228, 0234, 0248, 0328, 0678, 0705.
206A	691584	Nut–Governor Adjusting			<b>Note</b> 692207 Spring–Governor Link Used on Type No(s). 0248, 0308, 0358, 0638, 0707, 0770.	505	691251	Nut (Governor Control Lever)
208	691761	Rod–Governor Control	266	494554	Control–Throttle	562	92613	Bolt (Governor Control Lever)
209	691596	Spring–Governor			<b>Note</b> 299361 Control–Throttle (Dial Control)	614	691620	Pin–Cotter
		<b>Note</b> 691789 Spring–Governor Used on Type No(s). 0611, 0630, 0647, 0651, 0690, 0760, 0781, 0801, 2520, 2527, 2528, 2529, 2550, 2581, 2582.				616	291364	Crank–Governor
211	691790	Spring–Governed Idle Used on Type No(s). 0611, 0630, 0647, 0651, 0690, 0760, 0781, 0801, 2520, 2527, 2528, 2529, 2550, 2581, 2582.				629	690538	Spring–Throttle Return Used on Type No(s). 0234, 0637, 0705, 0803.
						668	690313	Spacer

★ Included in Engine Gasket Set–Ref. No. 358.

● Included in Carburetor Overhaul Kit–Ref. No. 121.

∅ Included in Valve Gasket Set–Ref. No. 1095.

# 326400 to 326499

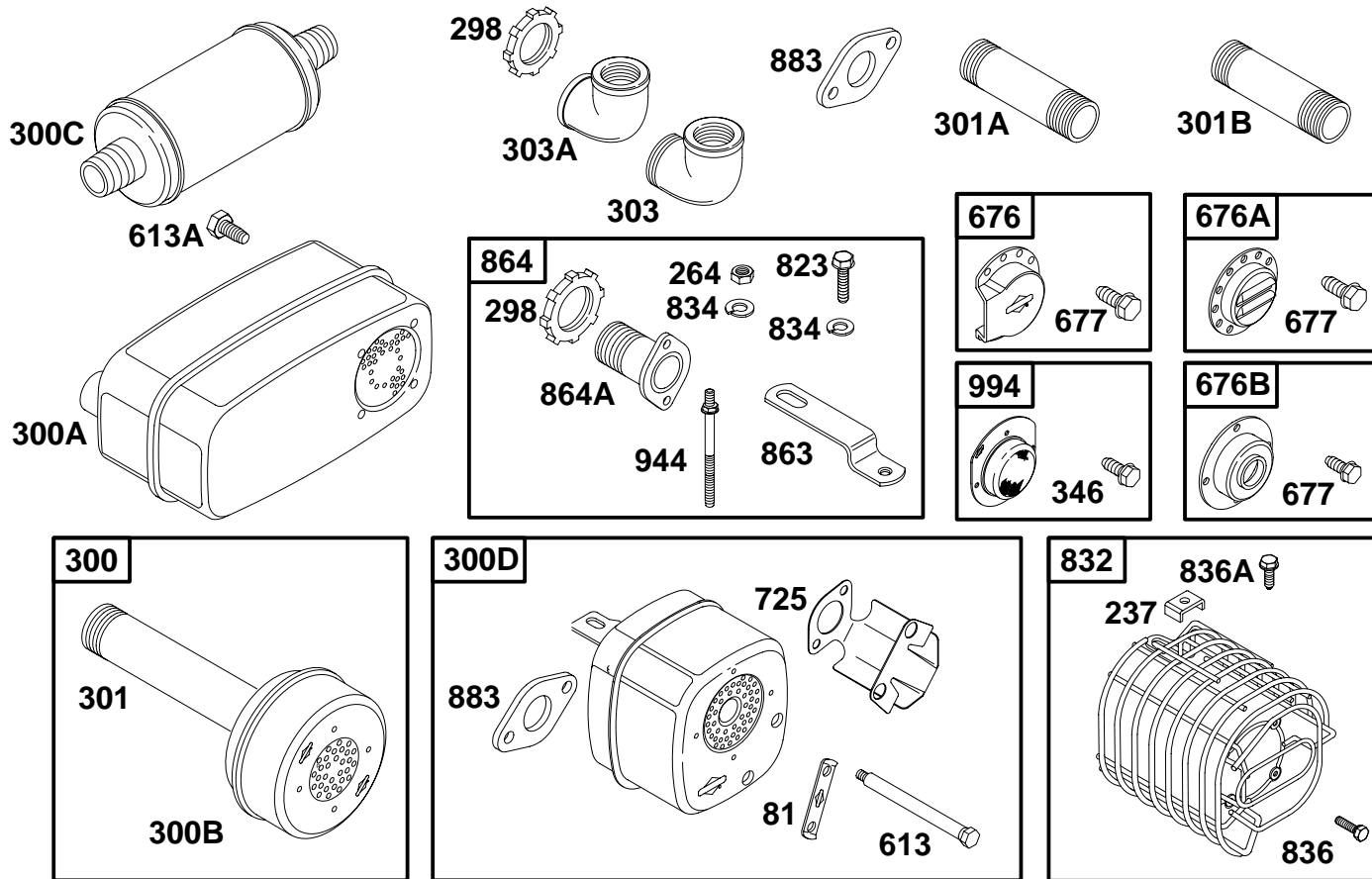


REF. NO.	PART NO.	DESCRIPTION	REF. NO.	PART NO.	DESCRIPTION	REF. NO.	PART NO.	DESCRIPTION
161	392391	Base—Air Cleaner (Metal)	171	691331	Nut (Air Cleaner)	643	691730	Retainer—Air Filter
163	67247	Gasket—Air Cleaner Used on Type No(s). 0308.	171A	690284	Nut (Air Cleaner)	967	271794	Filter—Pre Cleaner
163A	270987	Gasket—Air Cleaner	445	393957	Filter—Air Cleaner Cartridge	968	691755	Cover—Air Cleaner
166	691241	Stud (Air Cleaner) (9 1/2" Long)	467	691668	Knob—Air Cleaner	1158	690293	Screw (Carburetor) (Used to plug Air Cleaner Stud Hole) Used on Type No(s). 0262, 0630.
		<b>Note</b>	536	391063	Cleaner—Air			
		231114 Stud (Air Cleaner) (10 3/4" Long)						

★ Included in Engine Gasket Set—Ref. No. 358.

● Included in Carburetor Overhaul Kit—Ref. No. 121.

∅ Included in Valve Gasket Set—Ref. No. 1095.



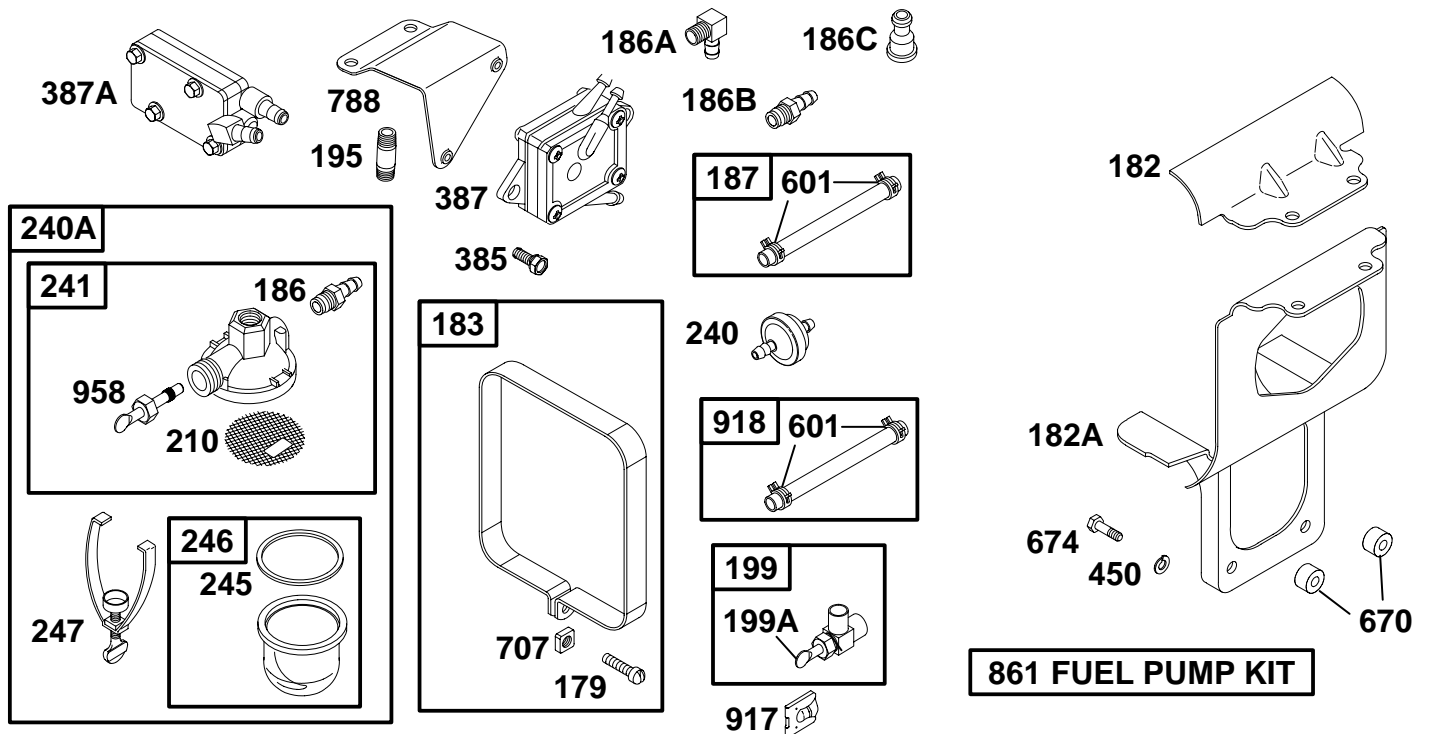
REF. NO.	PART NO.	DESCRIPTION	REF. NO.	PART NO.	DESCRIPTION	REF. NO.	PART NO.	DESCRIPTION
81	691178	Lock-Muffler Screw	303A	91296	Elbow-Exhaust (1" 90 Degree)	676	393761	Deflector-Muffler
237	690409	Retainer-Muffler Guard			Used on Type No(s). 0391, 0686, 0726, 0732, 0737, 0744, 0750, 0759, 0781.	676A	397630	Deflector-Muffler
264	691105	Nut (Muffler Adapter)			<b>Note</b>	676B	396903	Deflector-Muffler
298	691808	Locknut-Muffler/Elbow			91415 Elbow-Exhaust (1" 45 Degree)	677	690661	Screw (Muffler Deflector)
300	393232	Muffler				725	690420	Shield-Heat
300A	498984	Muffler				823	690810	Screw (Muffler Adapter)
300B	392989	Muffler				832	690648	Guard-Muffler
300C	291519	Muffler	346	690661	Screw (Spark Arrestor)	834	691075	Washer (Muffler Adapter)
300D	399635	Muffler	613	691416	Screw (Muffler)	836	691083	Screw (Muffler Guard)
301	93734	Pipe-Exhaust (8" Long)	613A	690297	Screw (Muffler) (Used After Code Date 97012300).	836A	690367	Screw (Muffler Guard)
301A	92107	Pipe-Exhaust (4" Long)			<b>Note</b>	863	694016	Bracket-Muffler
301B	91416	Pipe-Exhaust Used on Type No(s). 0163, 0327.			692198 Screw (Exhaust Muffler) (Used Before Code Date 97012400).	864	394584	Adapter-Muffler
303	690281	Elbow-Exhaust (1" 90 Degree)				864A	690637	Adapter-Muffler
						883	★692236	Gasket-Exhaust
						944	691690	Stud (Muffler Adapter)
						994	392390	Arrestor-Spark

★ Included in Engine Gasket Set-Ref. No. 358.

● Included in Carburetor Overhaul Kit-Ref. No. 121.

∅ Included in Valve Gasket Set-Ref. No. 1095.

# 326400 to 326499

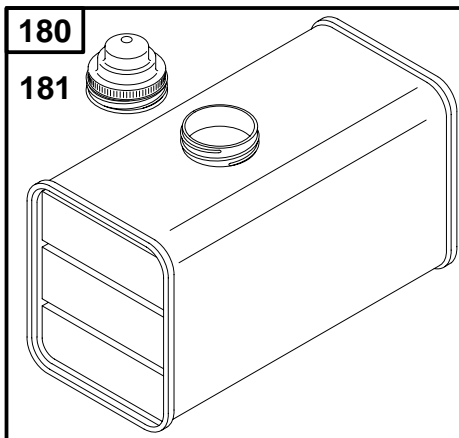


REF. NO.	PART NO.	DESCRIPTION	REF. NO.	PART NO.	DESCRIPTION	REF. NO.	PART NO.	DESCRIPTION
179	690280	Screw (Fuel Tank Strap)	187	499167	Line-Fuel <b>Note</b> <b>89248</b> Line-Fuel (2 1/4" Long) Used on Type No(s). 0080, 0386, 0387, 0393, 0395, 0396, 0397, 0631, 0640, 0641, 0662, 2580.	387	692313	Pump-Fuel
182	691068	Bracket-Fuel Tank <b>Note</b> <b>222671</b> Bracket-Fuel Tank (8 Quart) <b>222669</b> Bracket-Fuel Tank Used on Type No(s). 0205, 0291, 0648.	195	91635	Nipple-Fuel	387A	494280	Pump-Fuel Used on Type No(s). 0170, 0182, 0198, 0248, 0309, 0331, 0638, 0679, 0744, 0755, 0759.
182A	690262	Bracket-Fuel Tank	199	692302	Valve-Fuel Shut Off (Metal)	450	691075	Washer (Fuel Tank Bracket)
183	691937	Strap-Fuel Tank <b>Note</b> <b>291367</b> Strap-Fuel Tank (4 Quart) Used on Type No(s). 0206, 0211, 0213, 0229, 0271.	199A	691940	Valve-Fuel Shut Off (Metal)	601	95162	Clamp-Hose
186	691764	Connector-Hose	210	691962	Strainer-Fuel	670	690505	Spacer-Fuel Tank
186A	691609	Connector-Hose	240	298090	Filter-Fuel <b>Note</b> <b>394358</b> Filter-Fuel Used on Type No(s). 0630, 0705, 0707, 0724, 0744, 0750, 0755, 0759, 0770, 0774, 2581.	674	690303	Screw (Fuel Tank Bracket)
186B	231238	Connector-Hose	240A	690612	Filter-Fuel	707	690279	Nut (Fuel Tank Strap)
186C	231282	Connector-Hose	241	690612	Cover-Fuel Filter	788	224123	Bracket-Fuel Pump
			245	★692190	Gasket-Fuel Bowl	861	394462	Kit-Fuel Pump (Walbro) (For Pump Ref 387A Only)
			246	298683	Bowl-Fuel Filter	917	691737	Handle-Shut Off Valve
			247	691700	Yoke-Bowl	918	393815	Hose-Vacuum (Cylinder To Impulse Pump) (Cut to Required Length)
			385	692198	Screw (Fuel Pump)	958	295913	Valve-Fuel Shut Off (Plastic)

★ Included in Engine Gasket Set-Ref. No. 358.

● Included in Carburetor Overhaul Kit-Ref. No. 121.

∅ Included in Valve Gasket Set-Ref. No. 1095.

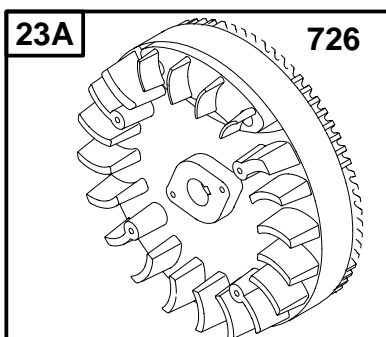
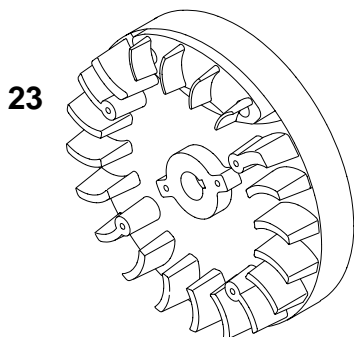


REF. NO.	PART NO.	DESCRIPTION	REF. NO.	PART NO.	DESCRIPTION	REF. NO.	PART NO.	DESCRIPTION
180	291488	Tank–Fuel (Metal) (6 Quart) <b>Note</b> <b>290816</b> Tank–Fuel (Metal) (4 Quart) Used on Type No(s). 0206, 0211, 0213, 0229, 0271. <b>292415</b> Fuel Tank (Metal) (8 Quart) Used on Type No(s). 0137, 0140, 0141, 0143, 0148, 0151, 0152, 0153, 0156, 0162, 0163, 0167, 0172, 0173, 0175, 0176, 0178, 0180, 0181, 0183, 0185, 0186, 0197, 0199, 0201, 0203, 0205, 0212, 0215, 0219, 0226, 0227, 0242, 0245, 0249, 0254, 0255, 0257, 0259, 0273, 0282, 0284,			0286, 0289, 0291, 0293, 0300, 0303, 0307, 0311, 0318, 0330, 0336, 0347, 0354, 0369, 0372, 0376, 0377, 0381, 0384, 0392, 0635, 0640, 0647, 0648, 0657, 0659, 0661, 0664, 0666, 0674, 0682, 0685, 0690, 0694, 0696, 0697, 0698, 0704, 0712, 0714, 0721, 0723, 0729, 0730, 0743, 0745, 0746, 0754, 0757, 0771, 0772.	181	392305	Cap–Fuel Tank (Metal) <b>Note</b> <b>297866</b> Cap–Fuel Tank (Metal) Used on Type No(s). 0162, 0180, 0201, 0215, 0284, 0392, 0712.

★ Included in Engine Gasket Set–Ref. No. 358.  
● Included in Carburetor Overhaul Kit–Ref. No. 121.

∅ Included in Valve Gasket Set–Ref. No. 1095.

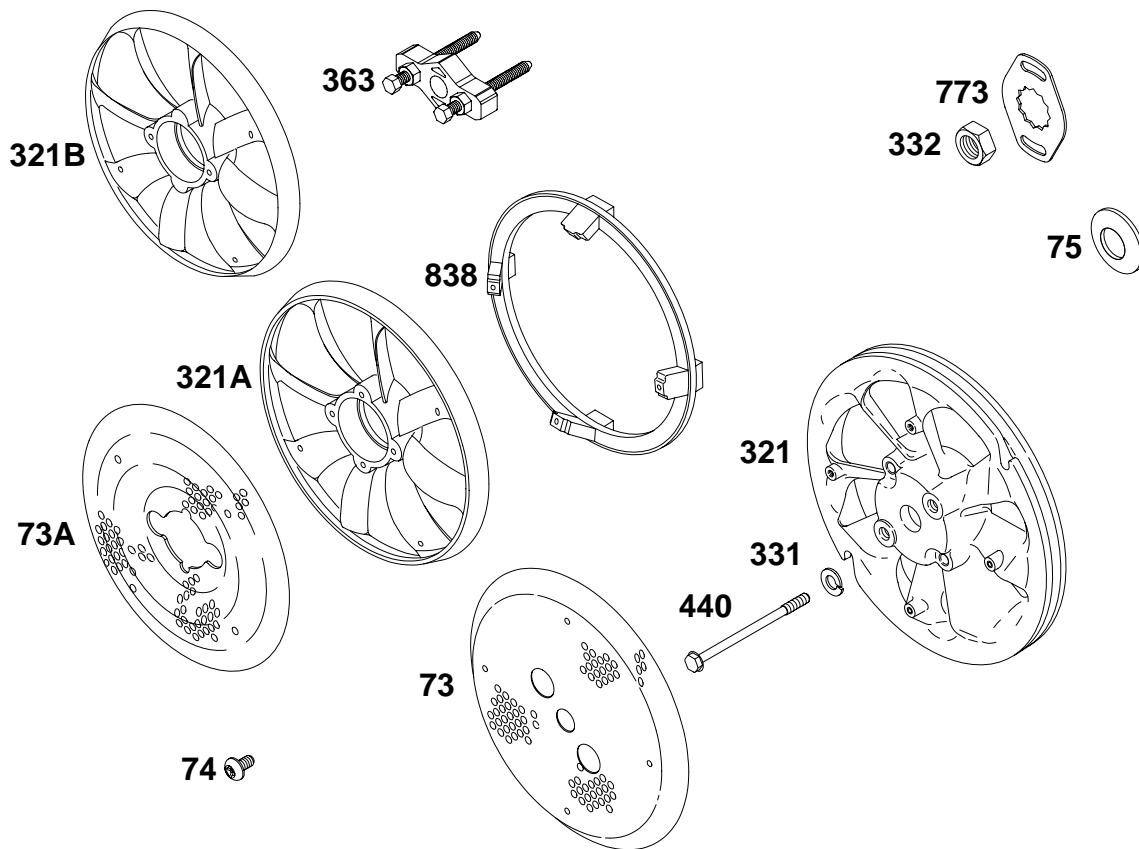
# 326400 to 326499



REF. NO.	PART NO.	DESCRIPTION	REF. NO.	PART NO.	DESCRIPTION	REF. NO.	PART NO.	DESCRIPTION	
23	395249	Flywheel (For Electronic Ignition, Identified by Two Red Stripes)  —— <b>Note</b> —— <b>395250</b> Flywheel (For Electronic Ignition, Identified by Two Red Stripes) Used on Type No(s). 0611, 0620, 0632, 0633, 0635, 0637, 0640, 0641, 0642, 0644, 0645, 0646, 0647, 0648, 0650, 0651, 0652, 0655, 0656, 0657, 0659, 0662, 0664, 0670, 0674, 0677, 0681, 0683, 0686, 0689, 0690, 0691, 0694, 0695, 0696, 0700, 0706, 0709, 0710, 0713, 0717, 0722, 0723, 0727, 0728, 0730, 0734, 0735, 0737, 0739, 0743, 0744, 0745, 0747, 0750, 0755, 0756, 0757, 0759, 0762, 0763, 0766, 0775, 0778, 0780, 0785, 0786, 0790, 0791, 0792, 0793, 0794, 0799, 0801, 0802, 2520, 2521, 2522, 2529, 2530, 2550, 2560, 2561, 2562, 2580, 2581, 2582.	23A	395251	Flywheel (For Electronic Ignition, Identified by Two Red Stripes)  —— <b>Note</b> —— <b>395269</b> Flywheel (For Electronic Ignition, Identified by Two Red Stripes) Used on Type No(s). 0736. <b>391363</b> Flywheel (10 Amp) (Used With Breaker Points and Condenser System) Used on Type No(s). 0027, 0028, 0063, 0115, 0123, 0126, 0135, 0143, 0148, 0149, 0162, 0163, 0164, 0165, 0167, 0168, 0170, 0171, 0172, 0174, 0178, 0180, 0182, 0184, 0185, 0188, 0189, 0192, 0193, 0198, 0201, 0209, 0210, 0211, 0213, 0215, 0217, 0221, 0222, 0224, 0229, 0230, 0231, 0234, 0235, 0236, 0238, 0240, 0248, 0249, 0250, 0251, 0252, 0257, 0261, 0262, 0265, 0271, 0273, 0274, 0275, 0276, 0277, 0278, 0279, 0281, 0282, 0283, 0284, 0285, 0286, 0287, 0288, 0296, 0298, 0303, 0304, 0306, 0307, 0309, 0310,				0311, 0315, 0316, 0317, 0318, 0319, 0320, 0321, 0322, 0323, 0324, 0325, 0326, 0328, 0330, 0331, 0332, 0333, 0334, 0337, 0338, 0340, 0343, 0347, 0348, 0349, 0350, 0351, 0353, 0355, 0358, 0359, 0360, 0363, 0364, 0367, 0370, 0371, 0372, 0374, 0375, 0376, 0377, 0378, 0379, 0381, 0382, 0383, 0388, 0389, 0392, 0394, 0399. <b>394919</b> Flywheel (Used With Breaker Points and Condenser System) Used on Type No(s). 0387.
						726	391362	Gear-Ring	

★ Included in Engine Gasket Set—Ref. No. 358.  
● Included in Carburetor Overhaul Kit—Ref. No. 121.

∅ Included in Valve Gasket Set—Ref. No. 1095.



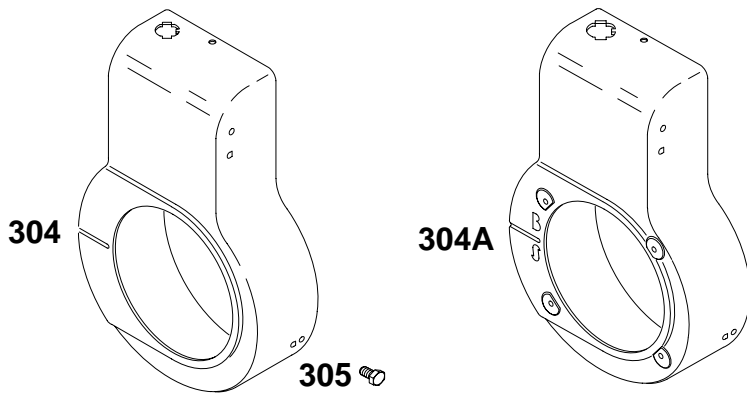
REF. NO.	PART NO.	DESCRIPTION	REF. NO.	PART NO.	DESCRIPTION	REF. NO.	PART NO.	DESCRIPTION
73	691171	Screen—Rotating ——— <b>Note</b> ——— 222044 Screen—Rotating Used on Type No(s). 0136, 0139, 0140, 0148, 0152, 0163, 0169, 0184, 0199, 0204, 0227, 0228, 0282, 0307, 0319, 0322, 0326, 0328, 0343, 0372, 0376, 0669, 0678, 0697. 690404 Screen—Rotating Used on Type No(s). 0127, 0133, 0182, 0190, 0210, 0222, 0252, 0262, 0315, 0333, 0630, 0649, 2582, 2583.	73A	690410	Screen—Rotating	331	691075	Washer (Booster Fan)
			74	691655	Screw (Rotating Screen)	332	691059	Nut (Flywheel)
			75	691056	Washer (Flywheel)	363	19203	Puller—Flywheel
			321	691151	Fan—Booster ——— <b>Note</b> ——— 211739 Fan—Booster Used on Type No(s). 0136, 0139, 0140, 0148, 0152, 0163, 0169, 0184, 0199, 0204, 0227, 0228, 0282, 0307, 0319, 0322, 0326, 0328, 0343, 0372, 0376, 0669, 0678, 0697.	440	691076	Screw (Booster Fan)
			321A	690377	Fan—Booster	773	690265	Retainer
			321B	212000	Fan—Booster	838	211983	Adapter—Blower Housing Ring

★ Included in Engine Gasket Set—Ref. No. 358.  
● Included in Carburetor Overhaul Kit—Ref. No. 121.

∅ Included in Valve Gasket Set—Ref. No. 1095.



# 326400 to 326499

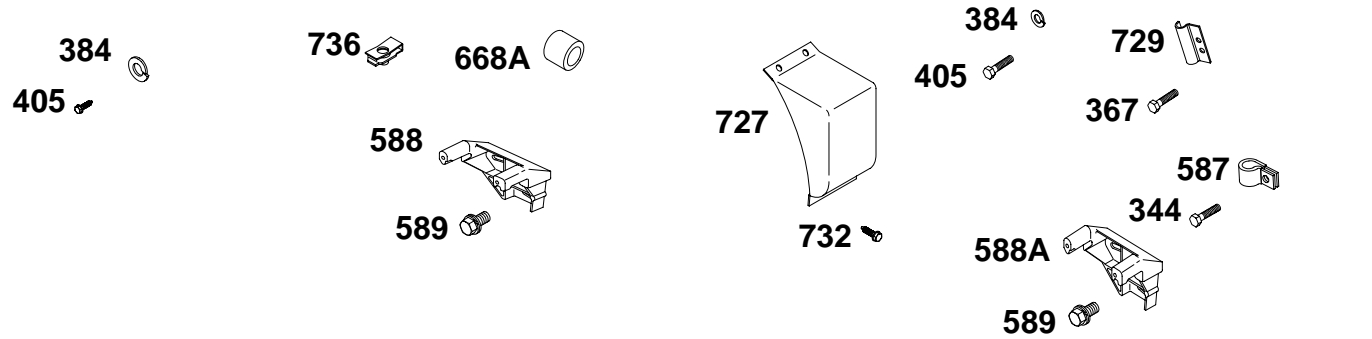
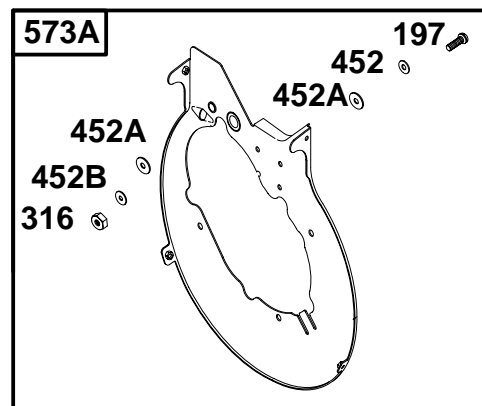
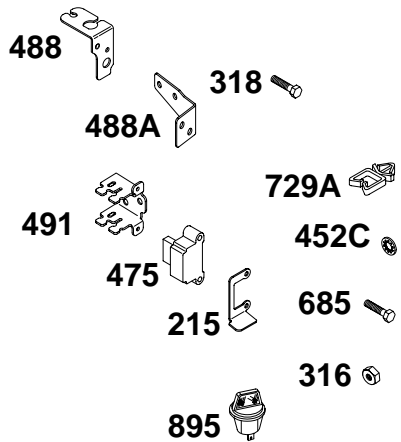
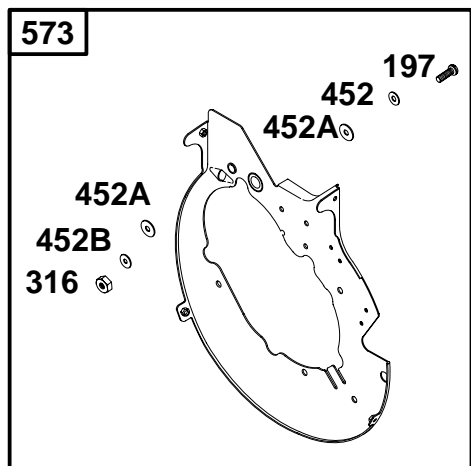


**1019 LABEL KIT**

REF. NO.	PART NO.	DESCRIPTION	REF. NO.	PART NO.	DESCRIPTION	REF. NO.	PART NO.	DESCRIPTION
<b>304</b>	<b>294698</b>	Housing—Blower <b>Note</b> <b>297010</b> Housing—Blower Used on Type No(s). 0060, 0119, 0160, 0197, 0216, 0223, 0237. <b>297453</b> Housing—Blower Used on Type No(s). 0020, 0023, 0050, 0136, 0139, 0140, 0145, 0150, 0151, 0152, 0155, 0159, 0175, 0181, 0183, 0191, 0199, 0203, 0204, 0205, 0206, 0208, 0212, 0218, 0219, 0226, 0227, 0228, 0254, 0255, 0259. <b>391229</b> Housing—Blower Used on Type No(s). 0027, 0028, 0063, 0115, 0123, 0126, 0135, 0143, 0148, 0149, 0162, 0163, 0165, 0167, 0168, 0170, 0171, 0172, 0174, 0178, 0180, 0182, 0184, 0185, 0188, 0189, 0192, 0193, 0198, 0201, 0209, 0210, 0211, 0213, 0215, 0217, 0221, 0224, 0229, 0230, 0231, 0234, 0235, 0236, 0238,			0248, 0249, 0259, 0251, 0252, 0257, 0261, 0262, 0265, 0271, 0273, 0275, 0276, 0277, 0278, 0279, 0281, 0282, 0283, 0284, 0285, 0286, 0287, 0288, 0296, 0298, 0303, 0304, 0306, 0307, 0309, 0310, 0311, 0315, 0316, 0317, 0318, 0319, 0320, 0321, 0322, 0323, 0324, 0325, 0326, 0328, 0330, 0331, 0332, 0333, 0334, 0337, 0338, 0340, 0343, 0347, 0348, 0349, 0350, 0351, 0353, 0355, 0358, 0359, 0360, 0363, 0364, 0367, 0370, 0371, 0372, 0374, 0375, 0376, 0377, 0378, 0379, 0381, 0382, 0383, 0388, 0389, 0392, 0394, 0399, 0630, 0634, 0636, 0638, 0640, 0643, 0649, 0653, 0654, 0658, 0660, 0661, 0663, 0665, 0666, 0667, 0668, 0669, 0671, 0672, 0673, 0675, 0676, 0678, 0679, 0680, 0684, 0685, 0687, 0688, 0692, 0693, 0697, 0698, 0699,			0701, 0702, 0703, 0704, 0705, 0707, 0708, 0712, 0714, 0715, 0716, 0718, 0720, 0721, 0724, 0725, 0729, 0731, 0733, 0736, 0738, 0741, 0742, 0746, 0748, 0749, 0751, 0752, 0753, 0754, 0760, 0761, 0764, 0765, 0770, 0771, 0772, 0774, 0776, 0779, 0782, 0783, 0784, 0787, 0789, 0797, 2527, 2528, 2563, 2596. <b>692359</b> Housing—Blower Used on Type No(s). 0682. <b>395513</b> Housing—Blower Used on Type No(s). 0711, 0719, 0732, 0740, 0781, 2529. <b>399177</b> Housing—Blower Used on Type No(s). 0758, 0788.
						<b>304A</b>	<b>392343</b>	Housing—Blower (Low Profile) Used on Type No(s). 0713, 0744, 0750, 0755, 0759, 0780, 0785, 0786, 2561, 2562.
						<b>305</b>	<b>692198</b>	Screw (Blower Housing)
						<b>1019</b>	<b>491258</b>	Kit—Label

★ Included in Engine Gasket Set—Ref. No. 358.  
 ● Included in Carburetor Overhaul Kit—Ref. No. 121.

∅ Included in Valve Gasket Set—Ref. No. 1095.



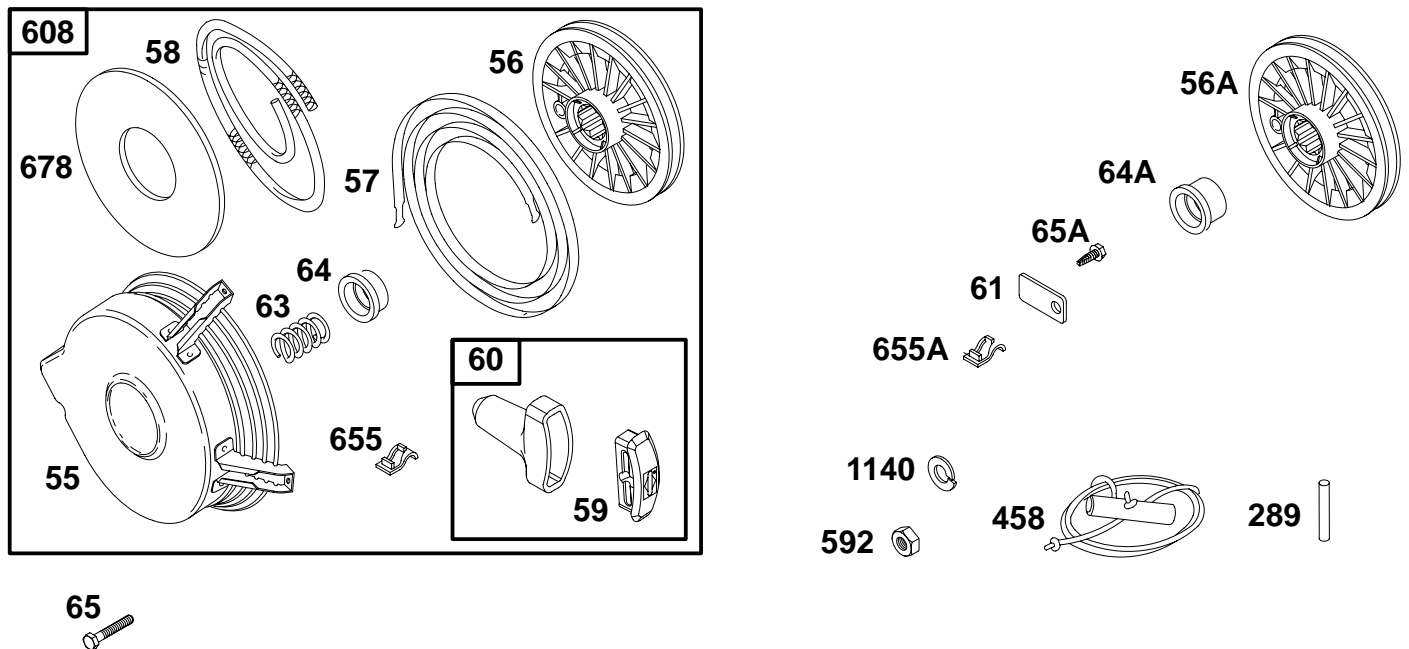
REF. NO.	PART NO.	DESCRIPTION	REF. NO.	PART NO.	DESCRIPTION	REF. NO.	PART NO.	DESCRIPTION
197	90072	Screw (Back Plate)	452	92864	Washer (Back Plate)	588	211440	Bracket-Armature
215	222445	Guide-Air	452A	66154	Washer (Back Plate)	588A	690375	Bracket-Armature <b>(Used on Engines With Electric Starter)</b>
316	691612	Nut (Back Plate)	452B	26404	Washer (Back Plate)	589	690300	Screw (Armature Bracket)
318	691666	Screw (Mounting Bracket)	452C	691077	Washer (Back Plate)	668A	231065	Spacer Used on Type No(s). 0164, 0240.
344	690305	Screw (Cable Clamp)	475	390892	Rectifier	685	690661	Screw (Rectifier)
367	690305	Screw (Wire Clip)	488	222211	Bracket-Fuse	727	692338	Cover-Starter Drive
384	90832	Washer (Back Plate)	488A	222345	Bracket-Fuse	729	690432	Clip-Wire (Alternator)
405	690290	Screw (Back Plate)	491	222344	Bracket-Rectifier	729A	690588	Clip-Wire
			573	391220	Plate-Back <b>(Used on Engines With Electric Start Only)</b>	732	93410	Screw (Starter Drive Cover)
			573A	299450	Plate-Back	736	690302	Nut-Clip
			587	690389	Clamp-Cable	895	692309	Switch-Rotary

★ Included in Engine Gasket Set-Ref. No. 358.

● Included in Carburetor Overhaul Kit-Ref. No. 121.

∅ Included in Valve Gasket Set-Ref. No. 1095.

# 326400 to 326499

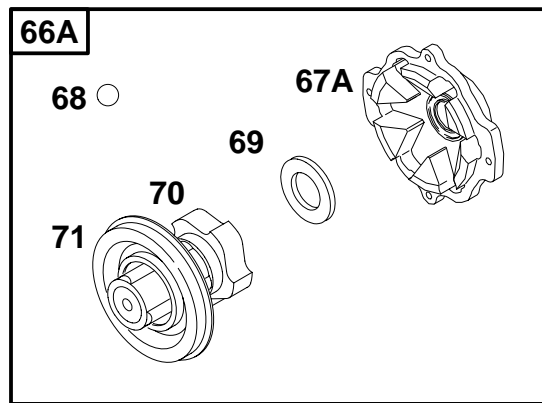
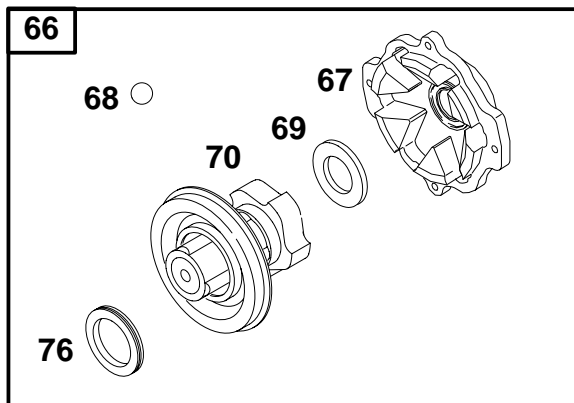


REF. NO.	PART NO.	DESCRIPTION	REF. NO.	PART NO.	DESCRIPTION	REF. NO.	PART NO.	DESCRIPTION		
55	691355	Housing—Rewind Starter (Low Profile)	58	692188	Rope—Starter (63" Long) (For Use With Plastic Pulley)	60	490652	Grip—Starter Rope		
56	392630	Pulley—Starter (Low Profile)			————— <b>Note</b> —————	61	68848	Bumper—Starter Pulley (Wide Legs Starter Housing)		
56A	295871	Pulley—Starter (Wide Legs Starter Housing, Includes 63" Rope)			66894	66894	Rope—Starter (99" Long) (Cut to Required Length) (For Use With Plastic Pulley)	63	690547	Spring—Ratchet
57	490179	Spring—Rewind Starter			66564	66564	Rope—Starter (63" Long) (For Use With Metal Pulley)	64	690511	Adapter—Ratchet Spring (Low Profile)
					66574	66574	Rope—Starter (99" Long) (Cut to Required Length) (For Use With Metal Pulley)	64A	691920	Adapter—Ratchet Spring (Wide Legs Starter Housing)
			59	490653	Insert—Grip			65	691693	Screw (Rewind Starter)
								65A	93254	Screw (Rewind Starter)
								289	230228	Pin—Starter Grip
								458	69932	Kit—Handle/Rope
								592	690276	Nut (Rewind Starter)
								608	691958	Starter—Rewind
								655	691734	Anchor—Rewind Spring
								655A	221014	Anchor—Rewind Spring (Wide Legs Starter Housing)
								678	490817	Spacer—Rewind
								1140	690286	Washer (Rewind Starter)

★ Included in Engine Gasket Set—Ref. No. 358.

● Included in Carburetor Overhaul Kit—Ref. No. 121.

∅ Included in Valve Gasket Set—Ref. No. 1095.



69A 

69B 

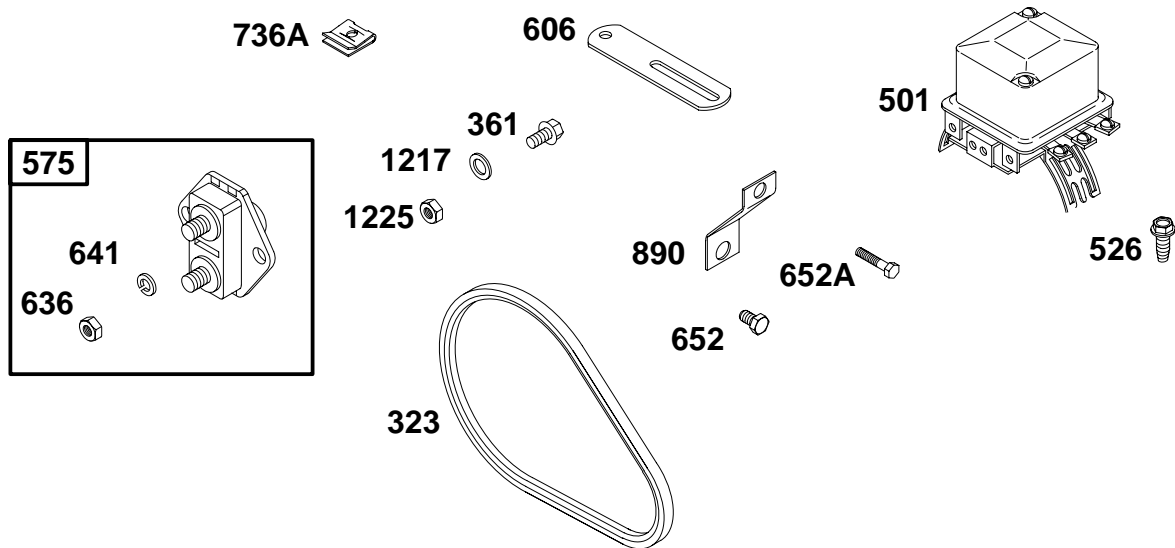
257 

REF. NO.	PART NO.	DESCRIPTION	REF. NO.	PART NO.	DESCRIPTION	REF. NO.	PART NO.	DESCRIPTION
66	393127	Clutch–Starter	69	690271	Washer (Starter Clutch)	70	691945	Ratchet–Clutch
66A	399671	Clutch–Starter (Sealed)	69A	690260	Washer (Starter Clutch)	71	691359	Cover–Ratchet
67	690542	Housing–Clutch	69B	690277	Washer (Starter Clutch)	76	68238	Seal–Ratchet
67A	394897	Housing–Clutch				257	690309	Screw (Starter Clutch)
68	691604	Ball–Clutch						

★ Included in Engine Gasket Set–Ref. No. 358.  
 ● Included in Carburetor Overhaul Kit–Ref. No. 121.

∅ Included in Valve Gasket Set–Ref. No. 1095.

# 326400 to 326499

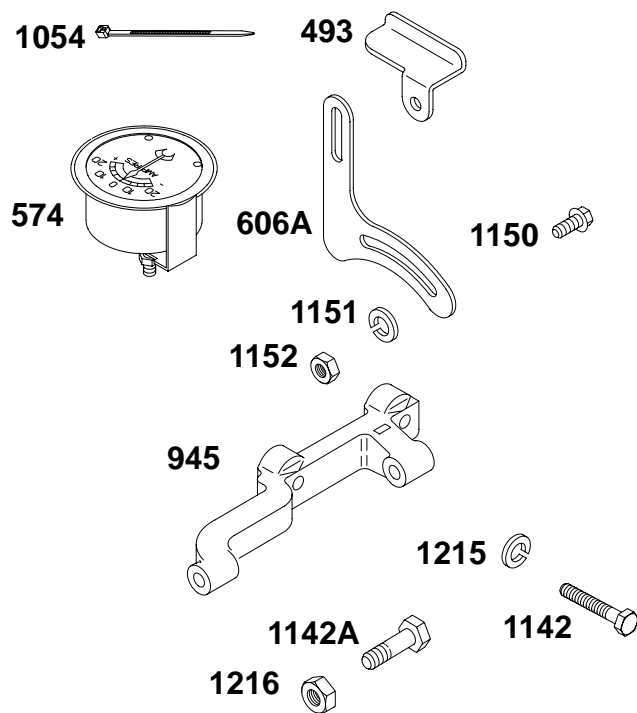
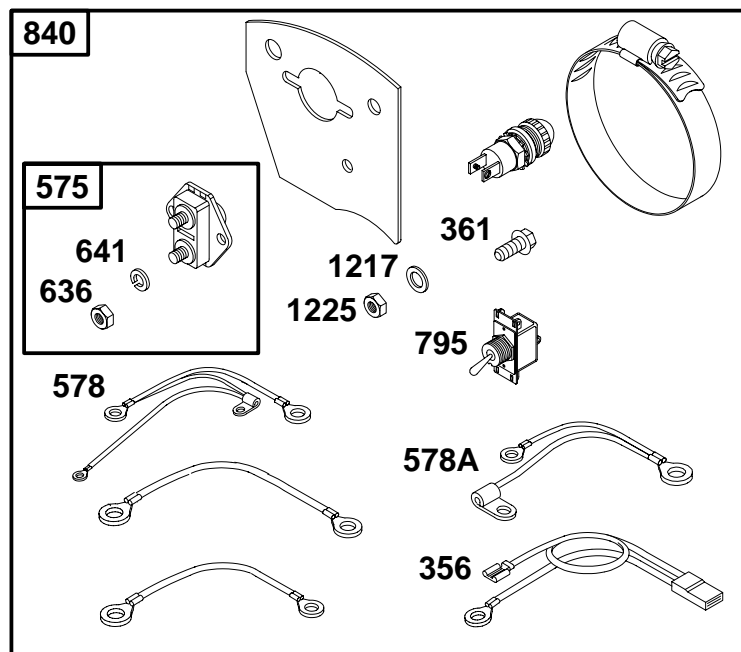


REF. NO.	PART NO.	DESCRIPTION	REF. NO.	PART NO.	DESCRIPTION	REF. NO.	PART NO.	DESCRIPTION
323	68898	Belt-Vee (For Low Position Mounting)	526	690297	Screw (Regulator)	736A	93593	Nut-Clip
		<b>Note</b>	575	692303	Switch-Starting	890	221472	Bracket-Support
		68878 Belt-Vee (For High Position Mounting)	606	221442	Strap-Adjusting	1217	690282	Washer (Starting Switch)
361	93415	Screw (Starting Switch)	636	696198	Nut (Starting Switch) (Terminal)	1225	691029	Nut (Starting Switch)
501	297196	Regulator (Saddle Mount) (Delco Remy No. 1119577)	641	691075	Washer (Starting Switch) (Terminal)			
			652	691625	Screw (Support Bracket)			
			652A	93142	Screw (Support Bracket)			

★ Included in Engine Gasket Set-Ref. No. 358.

● Included in Carburetor Overhaul Kit-Ref. No. 121.

∅ Included in Valve Gasket Set-Ref. No. 1095.

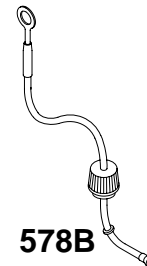
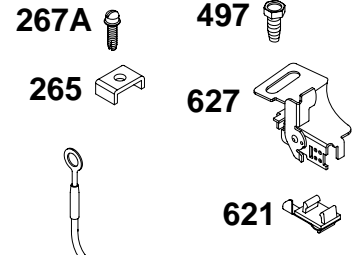
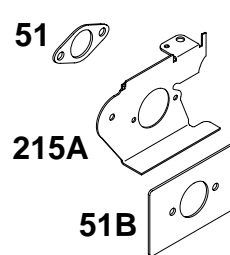
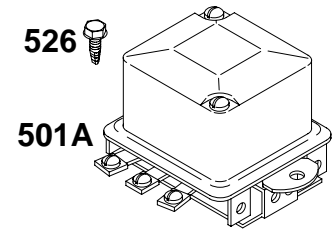
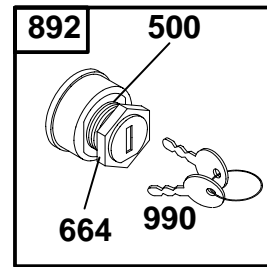
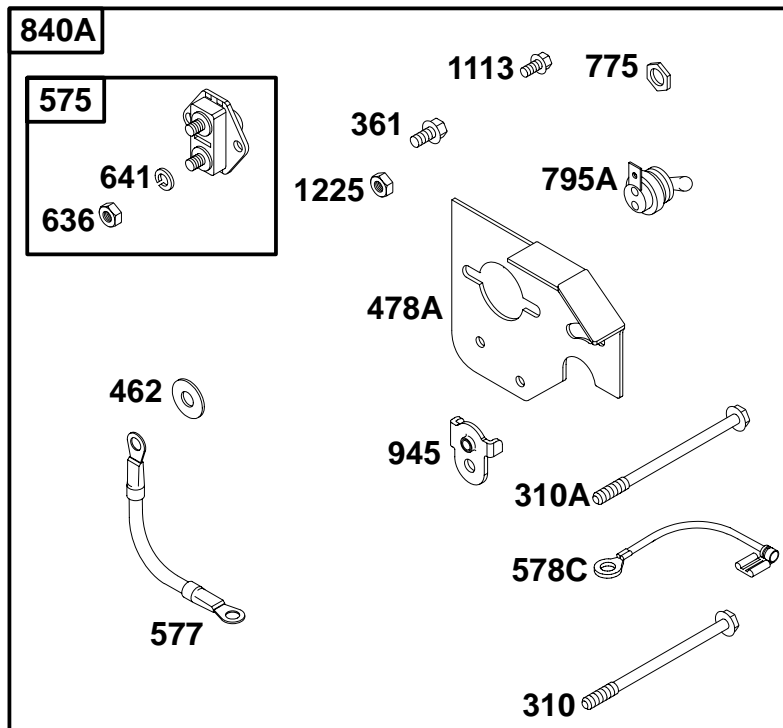


REF. NO.	PART NO.	DESCRIPTION	REF. NO.	PART NO.	DESCRIPTION	REF. NO.	PART NO.	DESCRIPTION
356	398808	Wire-Stop (2 Wires, 15-3/16" And 15-3/8" Long) (Snap Connect Insulated Female)	578	298583	Wire Assembly (3 Wires, 7-5/8", 6-1/2", And 7-1/2" Long) (2 Ring Terminals, Flag Ring)	1054	280275	Tie-Cable
361	93415	Screw (Starting Switch)	578A	298582	Wire Assembly (2 Wires, 5-7/16", And 3-7/8" Long) (Insulated Support Ring Terminal)	1142	690303	Screw (Starter Motor Bracket)
493	221933	Bracket-Mounting	606A	221931	Strap-Adjusting	1142A	691614	Screw (Starter Motor Bracket) (1 3/4" Long)
574	295158	Ammeter (Stewart Warner Number 357-W)	636	696198	Nut (Starting Switch) (Terminal)	1150	691058	Screw (Adjusting Strap)
575	692303	Switch-Starting	641	691075	Washer (Starting Switch) (Terminal)	1151	690282	Washer (Adjusting Strap)
			795	298590	Switch-Toggle	1152	691105	Nut (Adjusting Strap)
			840	298561	Kit-Panel (Generator Panel)	1215	691075	Washer (Starter Bracket)
			945	211785	Bracket-Starter Motor	1216	691105	Nut (Starter Bracket)
						1217	690282	Washer (Starting Switch) (Mounting)
						1225	691029	Nut (Starting Switch) (Mounting)

★ Included in Engine Gasket Set-Ref. No. 358.  
● Included in Carburetor Overhaul Kit-Ref. No. 121.

∅ Included in Valve Gasket Set-Ref. No. 1095.

# 326400 to 326499

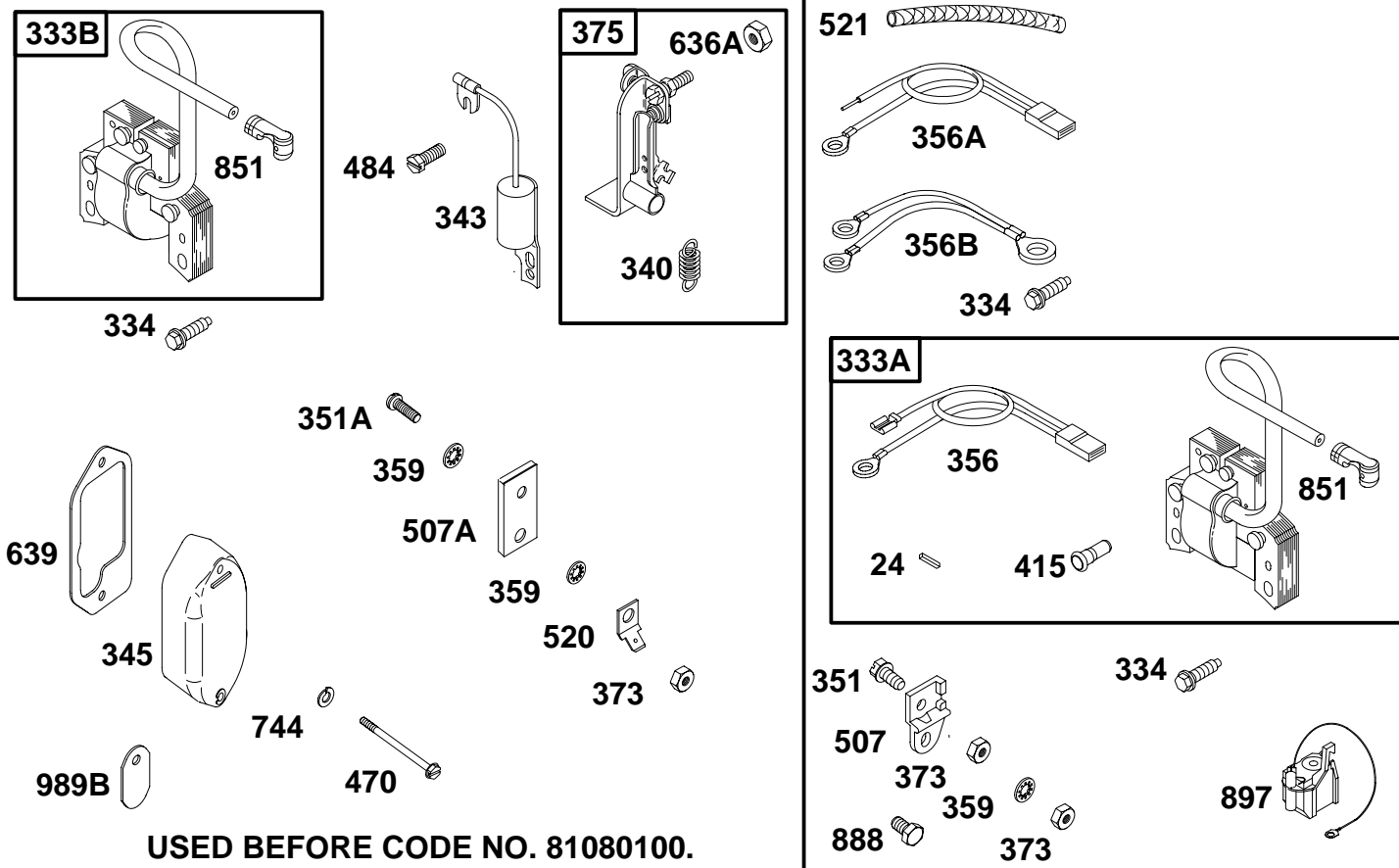


REF. NO.	PART NO.	DESCRIPTION	REF. NO.	PART NO.	DESCRIPTION	REF. NO.	PART NO.	DESCRIPTION
51	★Ø27381	Gasket-Intake				641	691075	Washer (Starting Switch)
51B	★Ø692917	Gasket-Intake	501A	295924	Regulator (Flat Mount) (Delco Remy No. 1118988) Used on Type No(s). 0199.	664	691087	Nut (Key Switch)
215A	291871	Guide-Air				775	690315	Nut (Toggle Switch)
265	692179	Clamp-Casing				795A	496590	Switch-Toggle
267A	93107	Screw (Casing Clamp)				840A	395408	Kit-Panel (Toggle Switch)
		<b>Note</b>						<b>Note</b>
		691044 Screw (Casing Clamp) Used on Type No(s). 0644, 0672.	526	690297	Screw (Regulator)			395409 Kit-Panel (Key Switch)
310	690323	Screw (Starter Motor) (4" Long)	575	692303	Switch-Starting	892	392833	Switch-Key
310A	692329	Screw (Starter Motor) (5" Long)	577	690630	Cable-Starter	945	692132	Bracket-Starter Motor
361	93415	Screw (Starting Switch)	578B	393109	Wire Assembly (Starter Switch to Alternator)	990	691959	Key Set
462	690282	Washer (Starter Cable)	578C	690647	Wire Assembly (1 Wire, 23" Long) (Insulated-Support Ring Terminal, and Push-On)	1113	691681	Screw (Panel)
478A	395410	Panel	621	297472	Switch-Stop	1225	691029	Nut (Starting Switch)
497	692198	Screw (Stopswitch Bracket)	627	392884	Bracket-Stopswitch			
500	691086	Washer	636	696198	Nut (Starting Switch) (Terminal)			

★ Included in Engine Gasket Set-Ref. No. 358.

● Included in Carburetor Overhaul Kit-Ref. No. 121.

Ø Included in Valve Gasket Set-Ref. No. 1095.



REF. NO.	PART NO.	DESCRIPTION	REF. NO.	PART NO.	DESCRIPTION	REF. NO.	PART NO.	DESCRIPTION
24	222698	Key-Flywheel	356	398808	Wire-Stop (2 Wires, 15-3/16" And 15-3/8" Long) (Snap Connect Insulated Female)	507	690584	Insulator
333A	398811	Armature-Magneto (Breaker Ignition) (Used After Code Date 81073100).	356A	690650	Wire-Stop (2 Wires, 12-15/16" And 15-11/16" Long) (Snap Connect Insulated Female) (Used With Armature Ref 333A)	507A	66895	Insulator
333B	298968	Armature-Magneto (Breaker Ignition) (Used Before Code Date 81080100).	356B	396585	Wire-Stop Used on Type No(s). 0643, 0646, 0735.	<p style="text-align: center;">————— <b>Note</b> —————</p> <b>299598</b> Insulator Used on Type No(s). 0131.		
334	691061	Screw (Magneto Armature)	359	691077	Washer (Ground Terminal)	520	691084	Terminal-Ground
340	26018	Spring-Breaker Arm	373	691612	Nut (Ground Terminal)	521	291508	Shield-Cable
343	298060	Condenser	375	298185	Breaker-Ignition	636A	230783	Nut (Starting Switch)
345	211327	Cover-Breaker	415	692882	Plug	639	★692913	Gasket-Breaker Box
351	690292	Screw (Ground Terminal)	470	692836	Screw (Breaker Cover)	744	690277	Washer (Breaker Cover)
351A	690295	Screw (Ground Terminal)	484	690294	Screw (Condenser)	851	493880	Terminal-Spark Plug
						888	690295	Screw (Insulator)
						897	394970	Kit-MAGNETRON® Ignition (Used After Code Date 81080100 and Before Code Date 85012200).
						989B	221976	Stop Switch- Spark Plug

★ Included in Engine Gasket Set-Ref. No. 358.

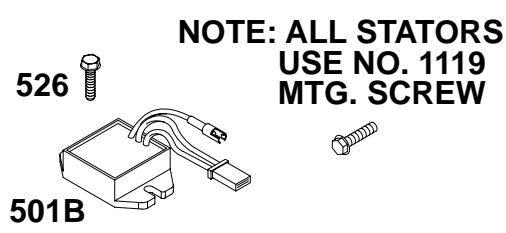
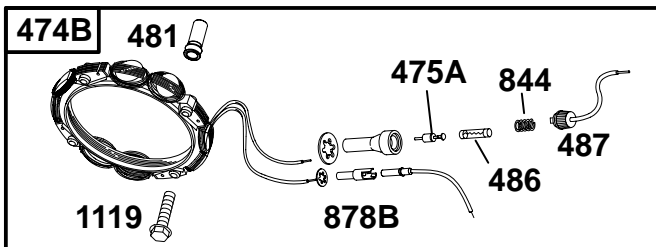
● Included in Carburetor Overhaul Kit-Ref. No. 121.

∅ Included in Valve Gasket Set-Ref. No. 1095.



# 326400 to 326499

DUAL CIRCUIT	REGULATED	10,13,16AMP	AC ONLY	DC ONLY
23A	23A	23A	23A	23A
474	474A	474C	474D	474E
877	877B			877A
878	878C	878A	878B	878A

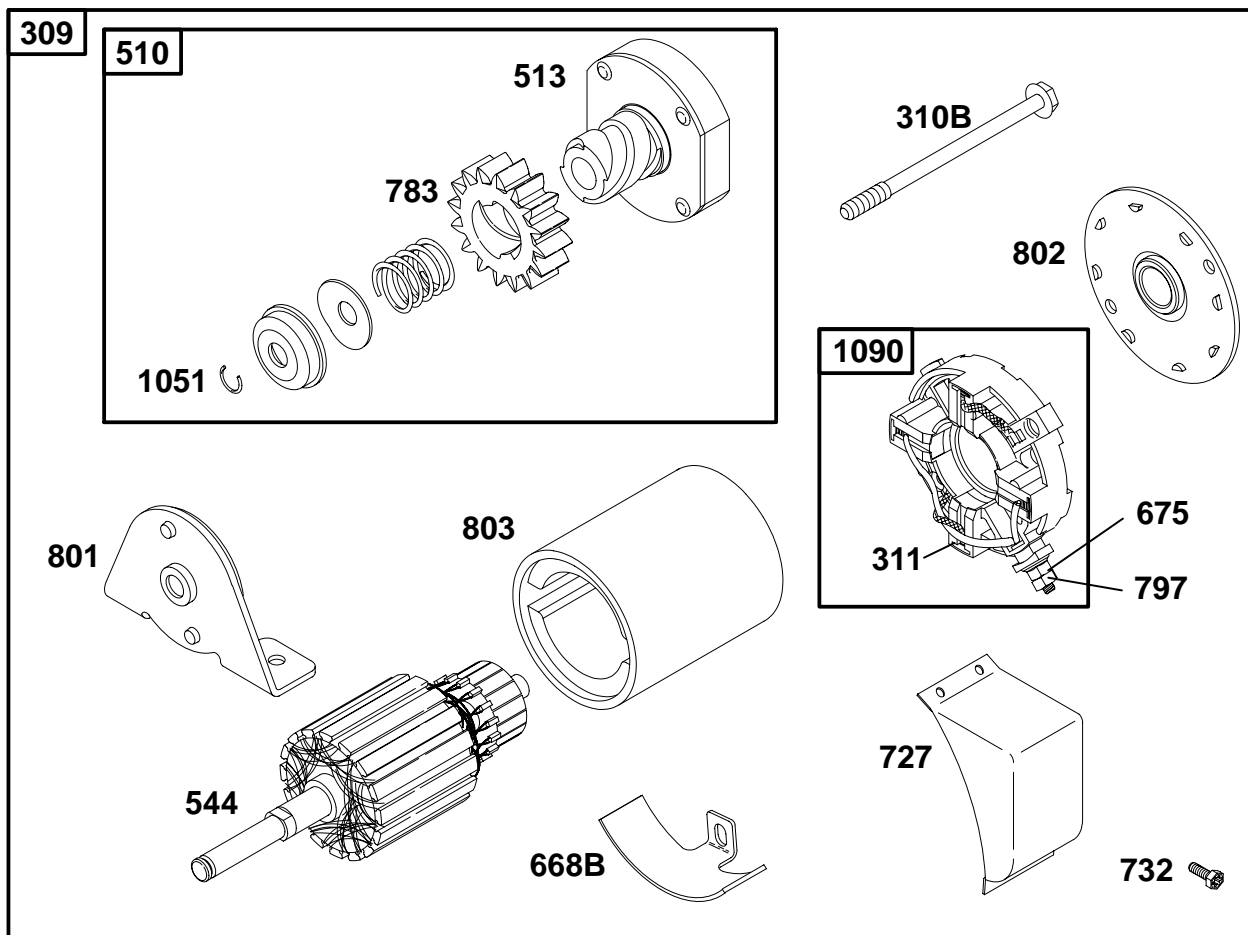


**NOTE: THE PROPER FLYWHEEL PART NUMBER AND/OR THE ALTERNATOR MAGNET SIZE WILL DETERMINE THE ALTERNATOR TYPE OR OUTPUT. SEE REPAIR INSTRUCTION MANUAL FOR ADDITIONAL INFORMATION**

REF. NO.	PART NO.	DESCRIPTION	REF. NO.	PART NO.	DESCRIPTION	REF. NO.	PART NO.	DESCRIPTION
474	691063	Alternator (Dual Circuit)	487	390888	Cap-Wire/Fuse	878	691237	Harness-Alternator (2 Wires, 48-1/2", And 48-1/2" Long) (Snap Connect Female Pin Terminal)
474A	691065	Alternator (Tri Circuit)	501B	691185	Regulator (10 Amp)			
474B	393800	Alternator	526	690297	Screw (Regulator)			
474C	691064	Alternator (10, 13, 16 Amp) (Key Switch)	844	261269	Spring-Diode	878A	692306	Harness-Alternator (1 Wire, 48-1/2" Long) (Snap Connect Female Pin Socket, And Bare Wire)
474D	391595	Alternator (AC Only)	877	393456	Wire/Connector-Alternator (Dual Circuit)			
474E	691953	Alternator (DC Only)	877A	393814	Wire/Connector-Alternator (DC Only)	878B	390867	Harness-Alternator
475A	391507	Rectifier	877B	393537	Wire/Connector-Alternator (Tri Circuit)	878C	691955	Harness-Alternator (Tri Circuit)
481	230976	Bushing-Alternator (Loose)				1119	691183	Screw (Alternator)
486	67125	Fuse (7 1/2 Amp)						

★ Included in Engine Gasket Set-Ref. No. 358.  
● Included in Carburetor Overhaul Kit-Ref. No. 121.

∅ Included in Valve Gasket Set-Ref. No. 1095.



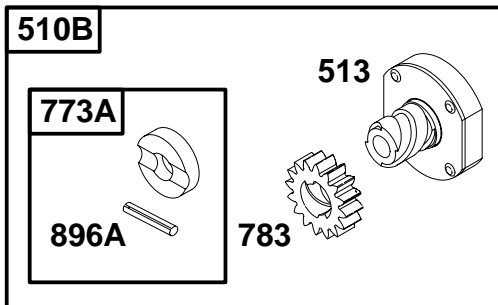
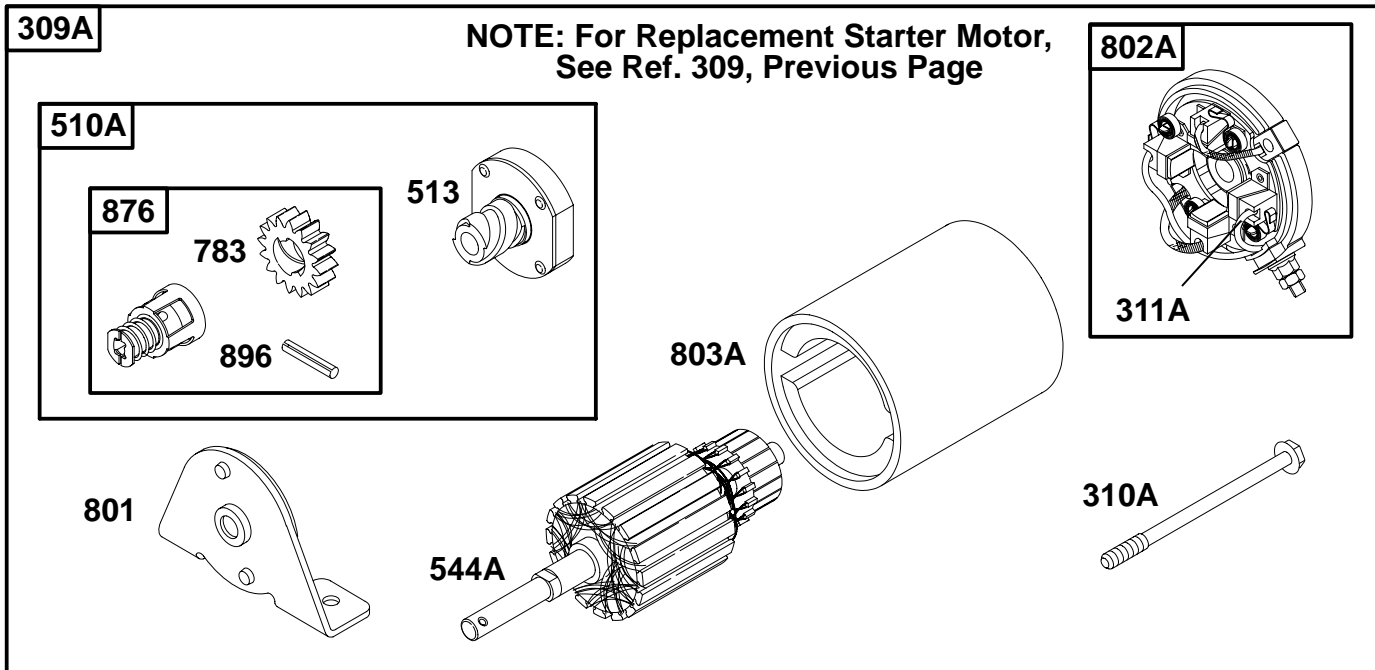
REF. NO.	PART NO.	DESCRIPTION	REF. NO.	PART NO.	DESCRIPTION	REF. NO.	PART NO.	DESCRIPTION
<b>309</b>	<b>396306</b>	Motor-Starter	<b>668B</b>	<b>396515</b>	Spacer	<b>797</b>	<b>691029</b>	Nut (Brush Retainer)
<b>310B</b>	<b>691263</b>	Screw (Starter Motor) (4 3/4" Long)	<b>675</b>	<b>691261</b>	Washer (Brush Retainer)	<b>801</b>	<b>394802</b>	Cap-Drive
<b>311</b>	<b>497608</b>	Brush Set	<b>697</b>	<b>691058</b>	Screw (Drive Cap)	<b>802</b>	<b>691286</b>	Cap-End
<b>510</b>	<b>497606</b>	Drive-Starter	<b>727</b>	<b>692338</b>	Cover-Starter Drive	<b>803</b>		Housing-Starter (Served By <b>396306</b> Starter Motor Only)
<b>513</b>	<b>692024</b>	Clutch-Drive	<b>732</b>	<b>93410</b>	Screw (Starter Drive Cover)	<b>1051</b>	<b>691265</b>	Ring-Retaining
<b>544</b>		Armature-Starter (Served By <b>396306</b> Starter Motor Only)	<b>783</b>	<b>693059</b>	Gear-Pinion	<b>1090</b>	<b>691293</b>	Retainer-Brush

★ Included in Engine Gasket Set-Ref. No. 358.

● Included in Carburetor Overhaul Kit-Ref. No. 121.

∅ Included in Valve Gasket Set-Ref. No. 1095.

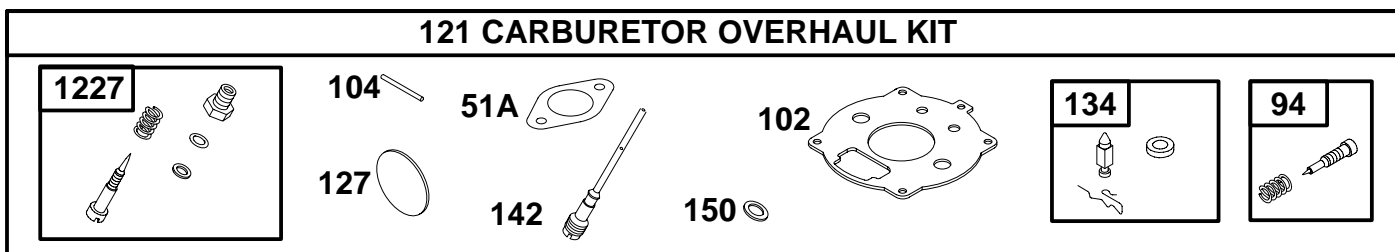
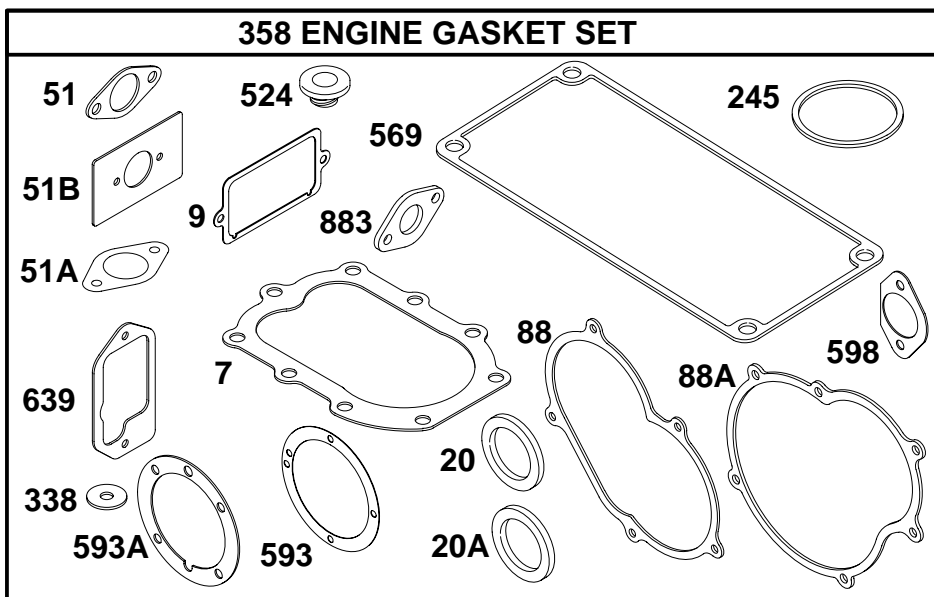
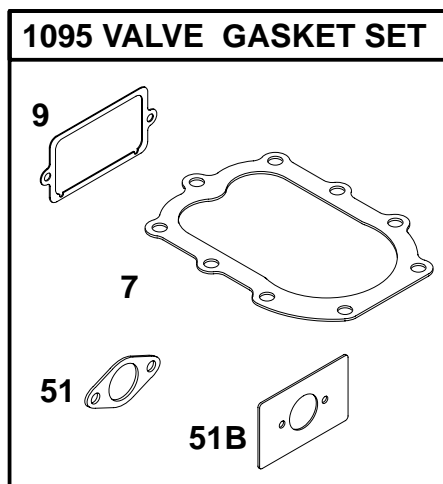
# 326400 to 326499



REF. NO.	PART NO.	DESCRIPTION	REF. NO.	PART NO.	DESCRIPTION	REF. NO.	PART NO.	DESCRIPTION
<b>309A</b>		Motor-Starter (For Replacement Starter Motor, See Ref 309)	<b>503</b>	<b>690406</b>	Strap-Starter	<b>801</b>	<b>394802</b>	Cap-Drive
			<b>510A</b>	<b>495878</b>	Drive-Starter	<b>802A</b>	<b>395537</b>	Cap-End
			<b>510B</b>	<b>391461</b>	Drive-Starter	<b>803A</b>	<b>494205</b>	Housing-Starter
<b>310A</b>	<b>692329</b>	Screw (Starter Motor) (5" Long)	<b>513</b>	<b>692024</b>	Clutch-Drive	<b>876</b>	<b>495877</b>	Kit-Pinion Spring
			<b>544A</b>	<b>490309</b>	Armature Starter	<b>896</b>	<b>691641</b>	Pin-Drive Retainer (Copper)
			<b>697</b>	<b>691058</b>	Screw (Drive Cap)	<b>896A</b>	<b>94192</b>	Pin-Drive Retainer (Black)
<b>311A</b>	<b>395538</b>	Brush Set	<b>773A</b>	<b>391462</b>	Retainer			
	<b>442</b>	<b>691693</b> Screw (Starter Strap)	<b>783</b>	<b>693059</b>	Gear-Pinion			

★ Included in Engine Gasket Set-Ref. No. 358.  
● Included in Carburetor Overhaul Kit-Ref. No. 121.

∅ Included in Valve Gasket Set-Ref. No. 1095.



REF. NO.	PART NO.	DESCRIPTION	REF. NO.	PART NO.	DESCRIPTION	REF. NO.	PART NO.	DESCRIPTION
7	★Ø272166	Gasket—Cylinder Head	121	394989	Kit—Carburetor Overhaul (Used After Code Date 81090800).	593	★691311	Gasket—Bearing Support
9	★Ø27803	Gasket—Breather			<b>Note</b>	593A	★270513	Gasket—Bearing Support (.015" Thick)
20	★691948	Seal—Oil (PTO Side)			391071 Kit—Carburetor Overhaul (Used Before Code Date 81090900).			<b>Note</b>
20A	★291675	Seal—Oil (PTO Side)	127	●690627	Plug—Welch			★270514 Gasket—Bearing Support (.010" Thick)
51	★Ø27381	Gasket—Intake	134	●394681	Kit—Needle/Seat			★270515 Gasket—Bearing Support (.005" Thick)
51A	★●692214	Gasket—Intake	142	●691966	Nozzle—Carburetor (Labeled B)	598	★270516	Shim—End Play (.009" Thick)
51B	★Ø692917	Gasket—Intake	150	●691610	Gasket—Nozzle			<b>Note</b>
88	★691310	Gasket—Gear Reduction Cover (Magneto Side)	245	★692190	Gasket—Fuel Bowl			★270517 Shim—End Play (.007" Thick)
88A	★692914	Gasket—Gear Reduction Cover (PTO Side)	338	★690270	Gasket—Dipstick			★270518 Shim—End Play (.005" Thick)
94	●292681	Kit—Idle Mixture	358	299719	Gasket Set—Engine	639	★692913	Gasket—Breaker Box
102	●692215	Gasket—Carburetor Body	524	★281370	Seal—Dipstick Tube	883	★692236	Gasket—Exhaust
104	●691775	Pin—Float Hinge	569	★691569	Gasket—Engine Base	1095	498540	Gasket Set—Valve
						1227	●99525	Valve—High Speed

★ Included in Engine Gasket Set—Ref. No. 358.

● Included in Carburetor Overhaul Kit—Ref. No. 121.

Ø Included in Valve Gasket Set—Ref. No. 1095.