

**BOOT KIT  
FOR  
40" ROTARY MOWER  
&  
50" ROTARY MOWER**

## SECTION 1

### INSTALLATION INSTRUCTIONS

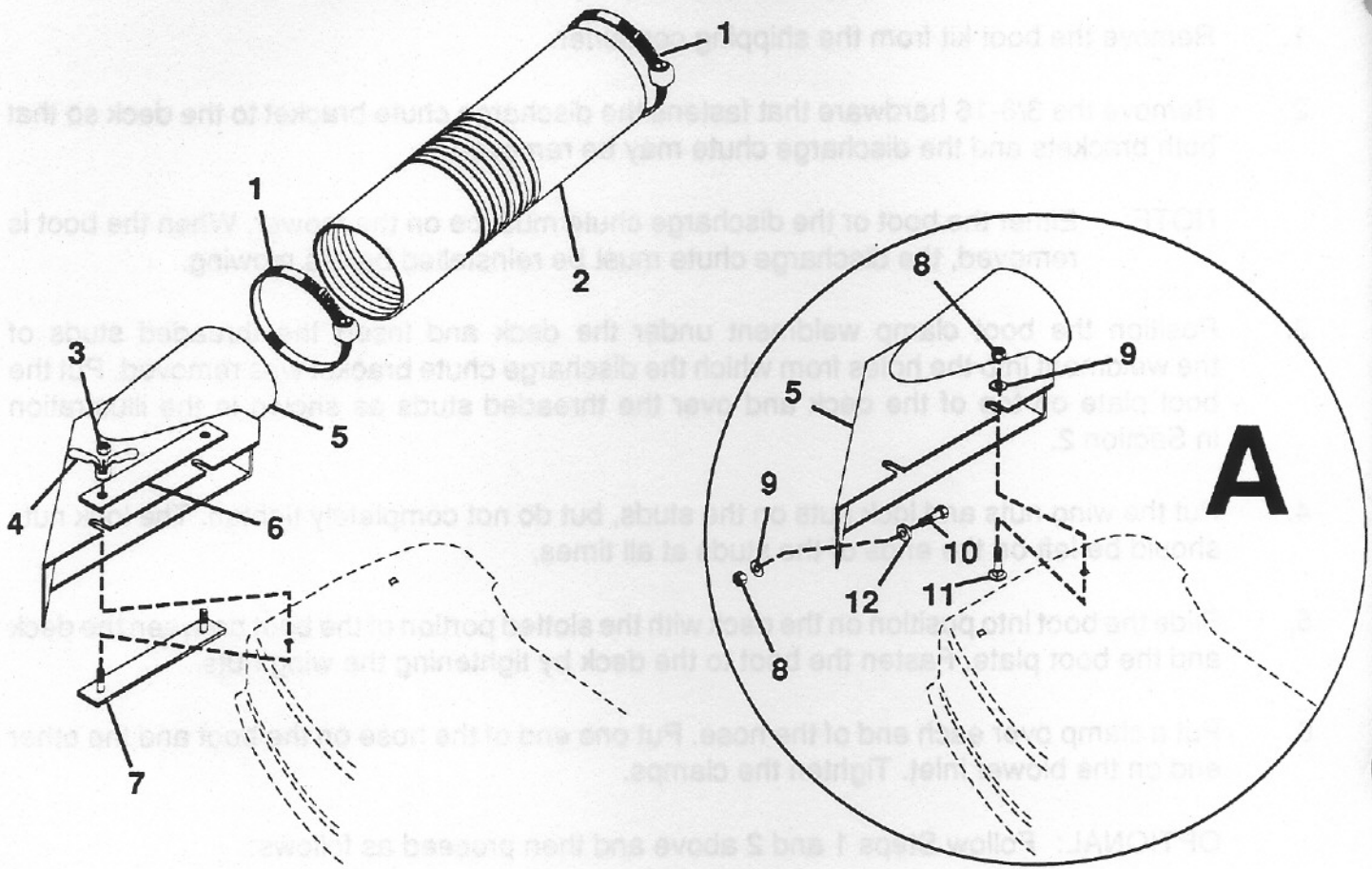
1. Remove the boot kit from the shipping container.
2. Remove the 3/8-16 hardware that fastens the discharge chute bracket to the deck so that both brackets and the discharge chute may be removed.  
  
**NOTE:** Either the boot or the discharge chute must be on the mower. When the boot is removed, the discharge chute must be reinstalled before mowing.
3. Position the boot clamp weldment under the deck and insert the threaded studs of the weldment into the holes from which the discharge chute bracket was removed. Put the boot plate on top of the deck and over the threaded studs as shown in the illustration in Section 2.
4. Put the wing nuts and lock nuts on the studs, but do not completely tighten. The lock nuts should be left on the ends of the studs at all times.
5. Slide the boot into position on the deck with the slotted portion of the boot between the deck and the boot plate. Fasten the boot to the deck by tightening the wing nuts.
6. Put a clamp over each end of the hose. Put one end of the hose on the boot and the other end on the blower inlet. Tighten the clamps.

**OPTIONAL:** Follow Steps 1 and 2 above and then proceed as follows:

- A. Refer to Circle "A" in Section 2. Put the boot in position on the deck and retain with two 3/8-16x.75 carriage bolts(from under the deck), flat washers and lock nuts.
- B. Using the hole in the front of the boot for a guide, drill a 3/8 inch diameter hole in the deck.
- C. Insert the bushing between the boot and the deck on 40" mowers. Install a 3/8-16 hex bolt from inside the deck in the new hole. Secure with a flat washer and lock nut.
- D. Disregard Steps 3, 4 and 5 above and fasten the hose to the boot and blower as instructed in Step 6.

## SECTION 2

### ILLUSTRATED PARTS AND PARTS LISTS



ITEM NO.	PART NO.	QTY.	DESCRIPTION
1	36996	2	Clamp
2	36986	1	Hose, Mower to Blower
3	413534	2	Nut, Lock 3/8-16
4	45673	2	Nut, Wing 3/8-16
5	37841	1	Boot, 40"
	37840	1	Boot, 50"
6	45626	1	Plate, 40" Boot
	45627	1	Plate, 50" Boot
7	45628	1	Weldment, 40" Boot Clamp
	45629	1	Weldment, 50" Boot Clamp
8	456004	3	Nut, Lock 3/8-16
9	120394	3	Washer, Flat .406x.812x.065
10	180122	1	Bolt, Hex 3/8-16x1.00 (50" Mower Only)
	180124	1	Bolt, Hex 3/8-16x1.25 (40" Mower Only)
11	126227	2	Bolt, Carriage 3/8-16x.75
12	12657	1	Bushing (40" Mower Only)