



NOTE

Read this manual carefully and learn to operate and service your snowdozer before using it.

To keep the snowdozer in good condition, it must be maintained and operated as directed in this manual.

All references to "front", "rear", and "back" are given from the operator's position.

2. OPERATING INSTRUCTIONS

3. SERVICE INSTRUCTIONS

BLADE, HITCH, WEIGHT SNOWDOZER TWO WHEEL TRACTORS

Look for this symbol to indicate important safety precautions. It means -- ATTENTION! BECOME ALERT! YOUR SAFETY IS INVOLVED.



FORM NO: 38289 (6-84)

PART NO: 38288 - Hitch
PART NO: 21902 - Weight
PART NO: 21466 - Blade

PRINTED IN USA

GRAVELLY

NOTE

Read this manual carefully and learn to operate and service your snowdozer before using it.

To keep the warranty, the snowdozer must be maintained and operated as directed in this manual.

All references to "left-side", "right-side", "front", and "back" are given from the operator's position.

TWO WHEEL TRACTORS
SNOWDOZER
BLADE, HITCH, WEIGHT



Look for this symbol to point out important safety precautions. It means -- ATTENTION! BECOME ALERT! YOUR SAFETY IS INVOLVED.

TABLE OF CONTENTS

1. INSTRUCTIONS FOR SAFE OPERATION

2. OPERATING INSTRUCTIONS

3. SERVICE INSTRUCTIONS

4. ILLUSTRATED PARTS AND PARTS LIST

5. SET-UP INSTRUCTIONS

6. WARRANTY

SECTION 1

Instructions for Safe Operation

Improper use of this equipment can injure people and damage the equipment. People using or servicing this equipment must read and follow the instructions in this manual.

It is important to understand that this manual and any other Gravelly instruction manuals do not cover every possible danger. It is impossible to Gravelly to know all possible dangers in operating and servicing the equipment.

The purchaser must give these instructions to the people operating and maintaining this equipment. These people must use eye and foot protection.

1.1 Preparation:

1. Read this manual and the tractor manual carefully.
2. Learn the location and function of all controls.
3. Learn how to use the controls to stop the wheels quickly.
4. Use caution with gasoline. Gasoline is very flammable. Keep it in a clean and tight container away from flames or hot items. Never put gasoline in the fuel tank while the engine is running or hot. Clean up spilled gasoline before starting engine.
5. Be certain that all shields, guards, and interlock switches are in the correct positions.
6. Never permit children to operate the equipment.
7. Inspect the area before a snow and remove all objects which could catch the snowdozer.
8. Before starting the engine, put the PTO lever in the "OFF" position and the gear shift lever in the neutral "N" position.
9. When hauling the equipment, connect the chassis to the transporting vehicle. Never connect from control levers, rods, or like items that could be damaged.
10. Replace all part that become damaged or lost.
11. Wear slip-resistant shoes.

1.2 Operation:

1. Do not use the equipment in the dark without adequate lighting.
2. Keep the equipment in good condition. Maintain it as directed in this manual.
3. USE ONLY GRAVELY ACCESSORIES AND ATTACHMENTS.
4. Do not overspeed the engine. Do not override the governor.
5. Keep away from moving parts.
6. Keep people and animals away from the operating area.
7. Do not let people other than the operator near the operating equipment.
8. Use a slow speed and engage the shift lever slowly when operating on slopes.
9. Look for and keep away from hazards.
10. After hitting an object, stop the equipment and engine. Check for damage. Repair any damage before operating.
11. Look behind when operating in reverse. Look for people and hazards.
12. Operate only from the operator's position, just behind the handlebars.
13. Travel across slopes.
14. If there is a sudden change in the sound or vibration of the equipment, stop the engine and check for damage. Repair any damage or failure before continuing operation.
15. Never run the engine indoors except to move it outside. Exhaust fumes are dangerous.
16. Go slowly on slick surfaces.
17. Follow traffic laws when operating on or near a road.
18. Before making adjustments or servicing, turn the ignition switch to "OFF" and wait until all moving parts stop.
19. Before leaving the operator's position, turn the ignition key to the "OFF" and wait until all moving parts have stopped.

SECTION 2

Operating Instructions

2.1 Blade Position Adjustment:

1. Move the ignition switch to the "OFF" position.
2. Pull the latch pin.
3. Swing the blade to the desired position (left, right, or straight).
4. Replace the latch pin.

2.2 Accessories:

1. Tire chains will increase the dozing capacity for snow removal and operation on other slick surfaces.
2. Use of the weight will increase the scraping action of the blade.

2.3 Operation:

1. Rotate the blade to the desired position.
2. Start the operation with the tractor in low gear and low range.
3. Move the throttle to the "FAST" position.
4. Slowly engage the forward clutch.
5. When dozing snow, use the fastest gear that control can be maintained so that the snow will roll off the blade.

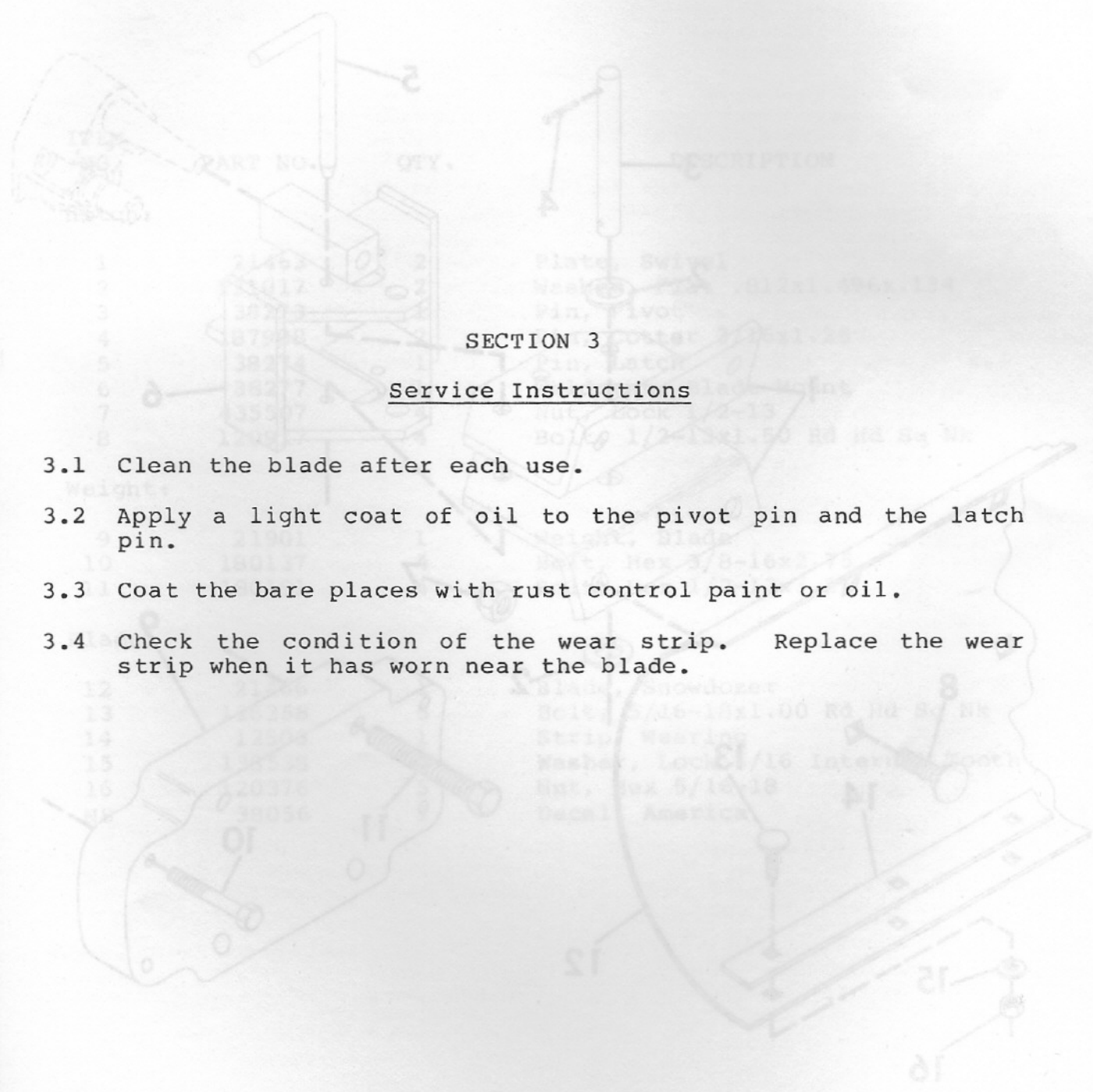
2.4 Installation:

1. The tractor must be fitted with quick hitch (500 Series, 7.6 Series, or older units) or the quick hitch pin.
2. Put a film of oil on the quick hitch pin.
3. Position the blade in front of the tractor. Slide the hitch onto the quick hitch pin and retain with a click pin in the end of the quick hitch pin.
4. Raise the stand.

2.5 Removal:

1. Remove the click pin from the end.

- 2. Lower the stand.
- 3. Back the tractor away from the blade.



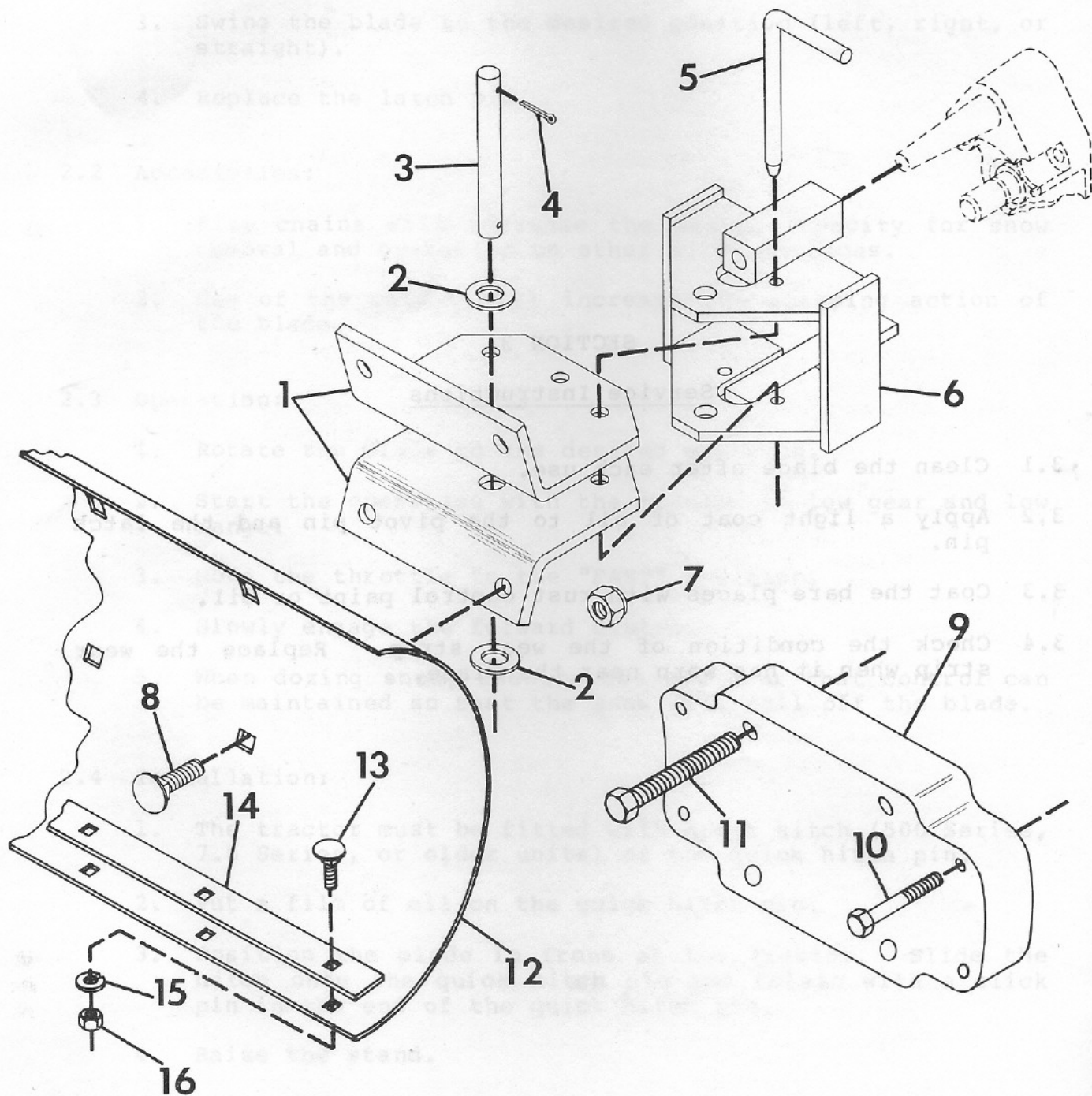
SECTION 3

Service Instructions

- 3.1 Clean the blade after each use.
- 3.2 Apply a light coat of oil to the pivot pin and the latch pin.
- 3.3 Coat the bare places with rust control paint or oil.
- 3.4 Check the condition of the wear strip. Replace the wear strip when it has worn near the blade.

SECTION 4

Illustrated Parts and Parts List



GRAVELY LIMITED WARRANTY

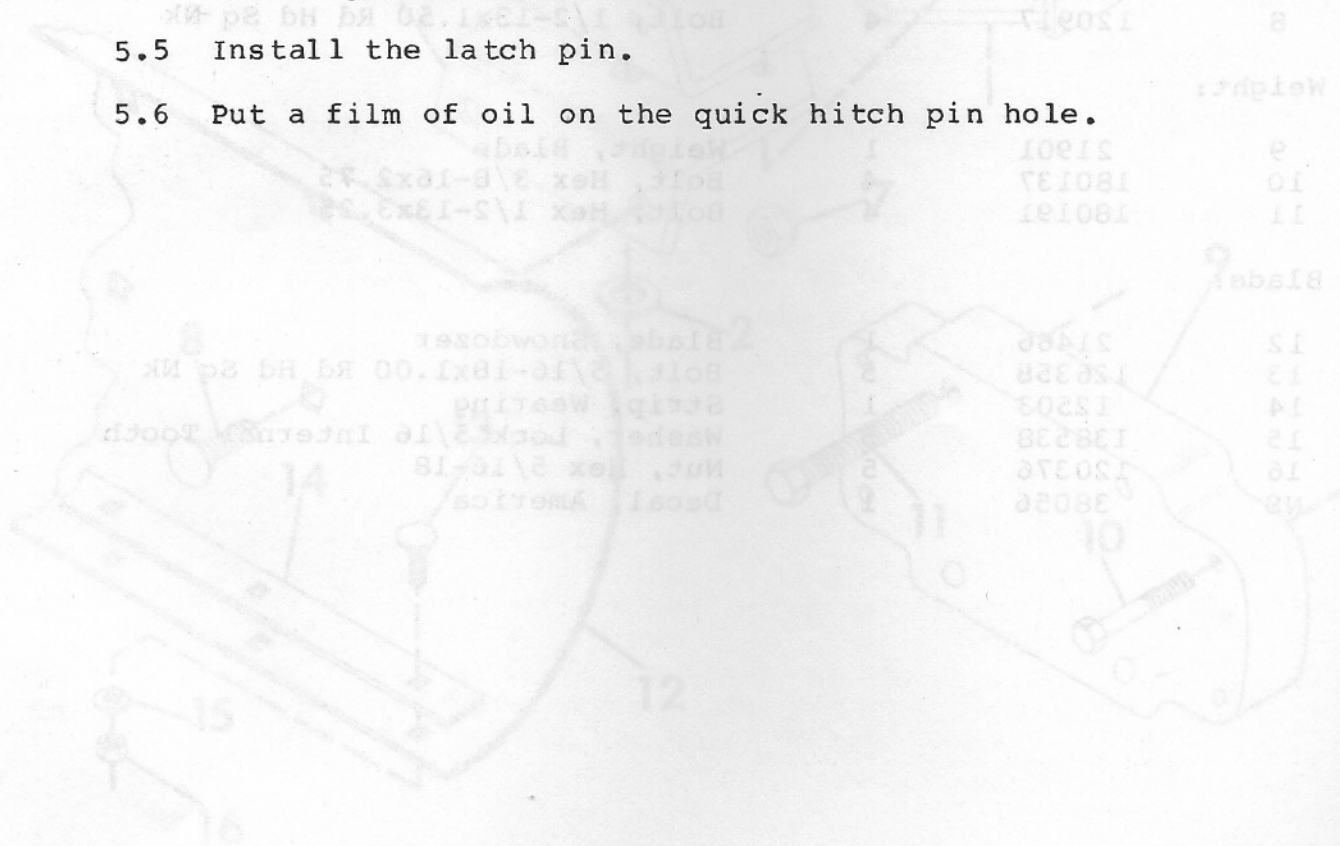
| ITEM NO. | PART NO. | QTY. | DESCRIPTION |
|----------------|----------|------|----------------------------------|
| Hitch: | | | |
| 1 | 21463 | 2 | Plate, Swivel |
| 2 | 131017 | 2 | Washer, Flat .812x1.496x.134 |
| 3 | 38273 | 1 | Pin, Pivot |
| 4 | 187988 | 2 | Pin, Cotter 3/16x1.25 |
| 5 | 38274 | 1 | Pin, Latch |
| 6 | 38277 | 1 | Weldment, Blade Mount |
| 7 | 435507 | 4 | Nut, Lock 1/2-13 |
| 8 | 120917 | 4 | Bolt, 1/2-13x1.50 Rd Hd Sq Nk |
| Weight: | | | |
| 9 | 21901 | 1 | Weight, Blade |
| 10 | 180137 | 4 | Bolt, Hex 3/8-16x2.75 |
| 11 | 180191 | 4 | Bolt, Hex 1/2-13x3.25 |
| Blade: | | | |
| 12 | 21466 | 1 | Blade, Snowdozer |
| 13 | 126358 | 5 | Bolt, 5/16-18x1.00 Rd Hd Sq Nk |
| 14 | 12503 | 1 | Strip, Wearing |
| 15 | 138538 | 5 | Washer, Lock 5/16 Internal Tooth |
| 16 | 120376 | 5 | Nut, Hex 5/16-18 |
| NS | 38056 | 1 | Decal, America |



SECTION 5

Set-Up Instructions

- 5.1 Remove the equipment from the shipping containers.
- 5.2 If used, fasten the weight to the back of the blade with four 3/8-16x2-3/4 bolts and four 3/8-16 lock nuts.
- 5.3 Put a film of oil on the pivot pin. Connect the swivel plates to the blade mount weldment with the pivot pin, two flat washers, and two 3/16x1.25 cotter pins.
- 5.4 Connect the hitch to the back of the blade with four 1/2-13 bolts and four 1/2-13 lock nuts. Use 3-1/4 long bolts when the weight is used.
- 5.5 Install the latch pin.
- 5.6 Put a film of oil on the quick hitch pin hole.



SECTION 6

GRAVELY LIMITED WARRANTY

This Limited Warranty is issued by Gravelly International, Inc., and consists of the following terms:

1. Only the original purchaser of new Gravelly equipment is covered by this Warranty.
2. This Warranty covers repair or replacement of parts manufactured by Gravelly which are defective in material or workmanship. Gravelly will pay for parts and labor only.
3. The Warranty starts the date of purchase and lasts for TWELVE (12) MONTHS.
4. Some components of Gravelly equipment are not covered by the Gravelly Warranty. These components are covered by the original manufacturer's warranty, which is included with the product. They are:
 - a. Engines
 - b. Tires
5. To obtain warranty service on Gravelly equipment including components not manufactured by Gravelly, use this procedure:
 - a. Notify the Gravelly dealer from whom you purchased the equipment.
 - b. If you have moved and it is not convenient to notify the selling dealer, notify the nearest Gravelly dealer. You should supply this dealer with a copy of the bill of sale as proof of the date of purchase.
 - c. Make arrangements to have the equipment delivered to the dealer (refer to paragraph 6(a) below).
 - d. If you have any questions concerning the Gravelly Limited Warranty, they should be referred to:

Gravelly International, Inc.
One Gravelly Lane
Clemmons, NC 27012

Attn: Manager of Customer Services
 - e. Warranty service on Gravelly equipment must be performed by an authorized Gravelly dealer or Gravelly factory branch.
6. This Warranty does not cover the following:
 - a. Transportation between owner's home or place of business and the dealership. If the dealer provides the transportation of the equipment, he will charge the owner his usual rate for such service.
 - b. Normal maintenance services and normal replacement of items such as spark plugs, belts, oil, oil filters, air filters, and mower, plow or cultivator blades.
 - c. Alterations or Modifications - All obligations under this warranty shall be terminated if the equipment is altered or modified in any way.
 - d. Customer Neglect or Lack of Proper Maintenance - The purchaser is responsible for making sure that the tractor is operated and serviced as directed in the operator's manual. Incorrect use or maintenance will void the warranty.
7. GRAVELLY MAKES NO OTHER EXPRESS WARRANTIES. ANY IMPLIED WARRANTIES, INCLUDING WARRANTIES AS TO MERCHANTABILITY OR FITNESS FOR A PARTICULAR PURPOSE, ARE LIMITED IN DURATION TO THE PERIOD SET OUT IN PARAGRAPH 3 ABOVE. SOME STATES DO NOT ALLOW LIMITATIONS ON HOW LONG AN IMPLIED WARRANTY LASTS, SO THE ABOVE STATEMENT MAY NOT APPLY TO YOU.
8. GRAVELLY SHALL HAVE NO RESPONSIBILITY FOR INCIDENTAL OR CONSEQUENTIAL DAMAGES RESULTING FROM THE BREACH OF ANY WARRANTY INCLUDING, BUT NOT LIMITED TO, INCONVENIENCE RENTAL OR PURCHASE OF REPLACEMENT EQUIPMENT LOSS OF PROFITS OR COMMERCIAL LOSS. SOME STATES DO NOT ALLOW THE EXCLUSION OR LIMITATION OF INCIDENTAL OR CONSEQUENTIAL DAMAGES, SO THE ABOVE LIMITATION OR EXCLUSION MAY NOT APPLY TO YOU.
9. This Warranty gives you specific legal rights, and you may have other rights which vary from state to state.
10. A Gravelly product registration card is supplied with each Gravelly product. Please complete the card and return it to Gravelly at the address listed on the card. The equipment registration card will be used by Gravelly for:
 - a. Recording date of purchase.
 - b. Notification of owners in compliance with the Consumer Product Safety Act, should any notification be necessary.The return of registration card is not required in order to take advantages of this Warranty.
11. This Warranty is not subject to change or modification by anyone, including Gravelly dealers and no Gravelly dealer authorized to make any representations or promises on Gravelly's behalf.

 **GRAVELLY**