

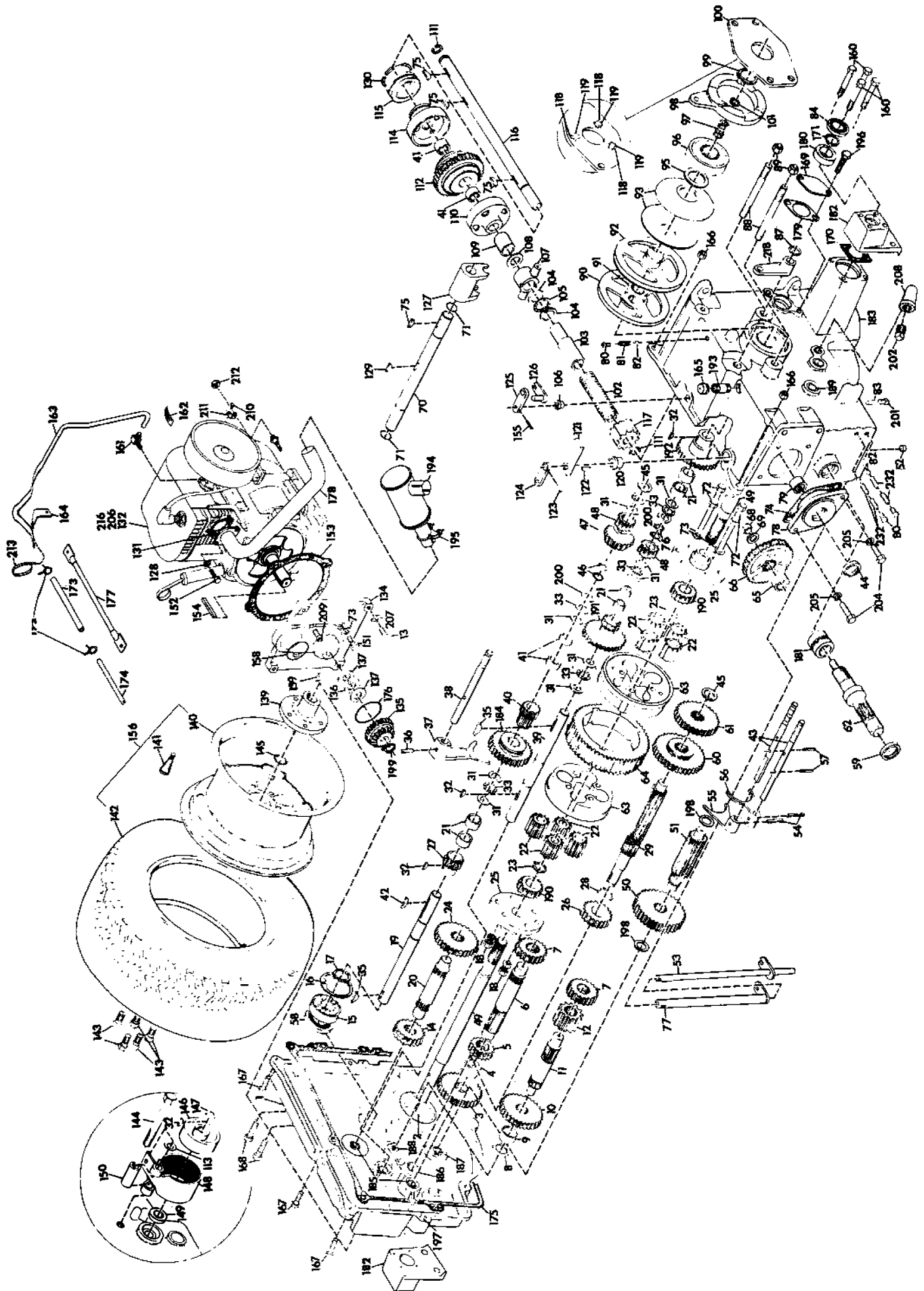
GRAVELLY®

810

812

814

**ILLUSTRATED
PARTS LIST**



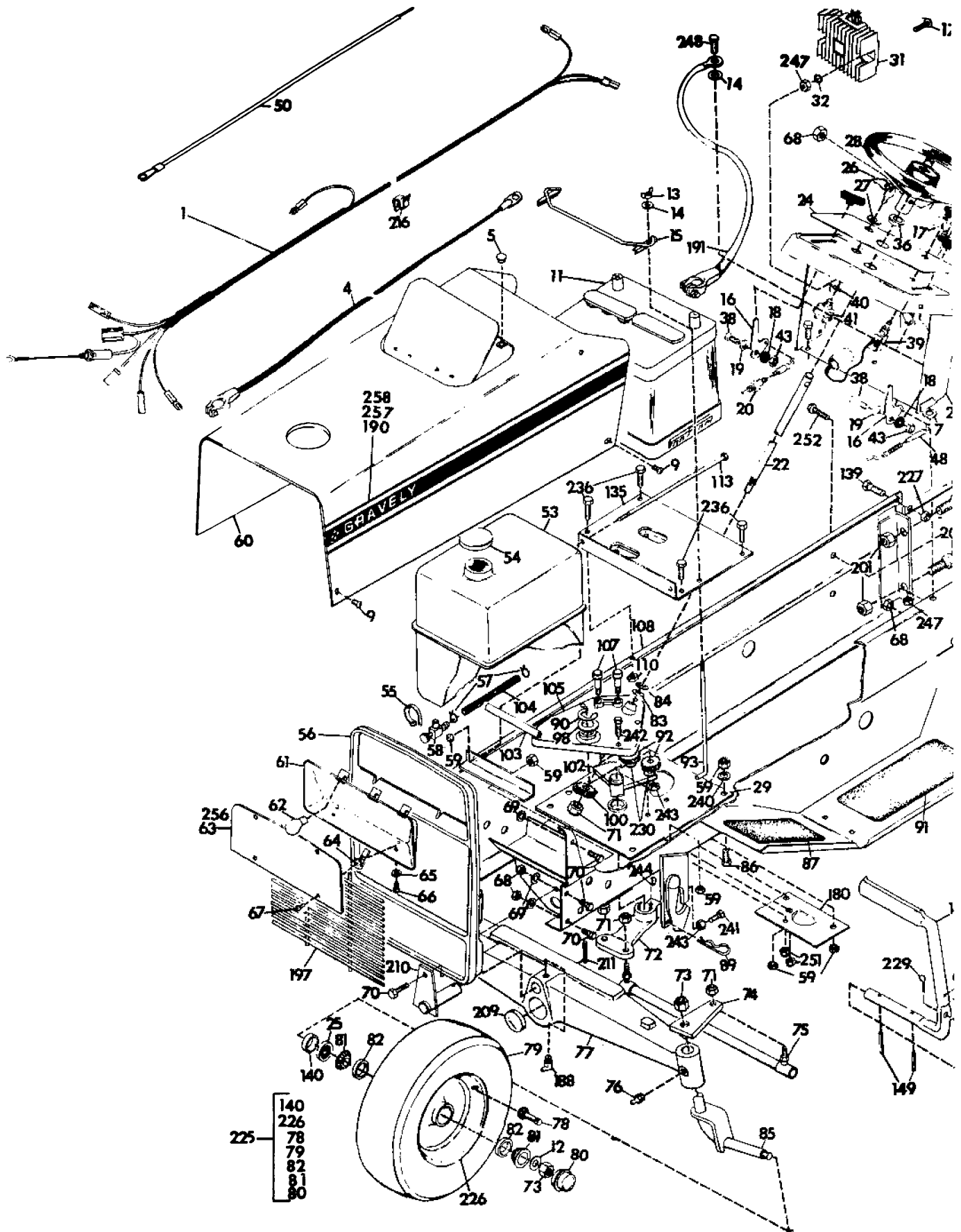
<u>ITEM NO.</u>	<u>PART NO.</u>	<u>DESCRIPTION</u>
1	18023P1	Transmission Cover
2	17984P1	Ball Bearing
3	15115P1	Gear
4	17993P1	Spacer
5	17992P1	Gear
6	17989P1	Splined Shaft
7	15118P1	Gear
8	18000P1	Thrust Race
9	17999P1	Spacer
10	19535P1	Gear
11	17997P1	Splined Shaft
12	17992P1	Gear
13	180177	1/2-13 Hex Hd Bolt 1-1/2 Long
14	15118P1	Gear
15	17915P1	Ball Bearing
16	17916P1	Retaining Ring
17	17919P1	Retaining Ring
18	456004	3/8-16 Washer Insert Lock Nut
19	18005P1	Forward Shaft
20	17995P1	Splined Shaft
21	17949P1	Needle Bearing
22	17982P1	Spur Pinion
23	17980P1	Retaining Ring
24	15115P1	Gear
25	17978P1	End Cap
26	14988P1	Gear
27	18025A1	Gear & Bearing Assembly
28	14987P1	Retaining Ring
29	17974P1	Sliding Gear Shaft
31	11223P1	Needle Thrust Bearing Race
32	431787	Woodruff Key #61 Hardened
33	6741P1	Bearing
35	18439P1	Forward Reverse Shaft Key (Special)
36	454565	1/4 x 1-1/4 Spring Pin
37	18014P1	2 Speed Yoke
38	18013P1	2 Speed Rail
39	18002P1	Reverse Shaft
40	18007A1	Gear & Bearing Assembly
41	17949P1	Needle Bearing
42	117989	Woodruff Key #19 Hardened
43	17931P1	Shifter Rail
44	17973P1	Oil Seal
45	14998P1	Thrust Race
46	11135P1	Retaining Ring
47	18006P1	Bevel Gear
48	18003P1	Gear
49	17977P1	Axle
50	17987P1	Gear

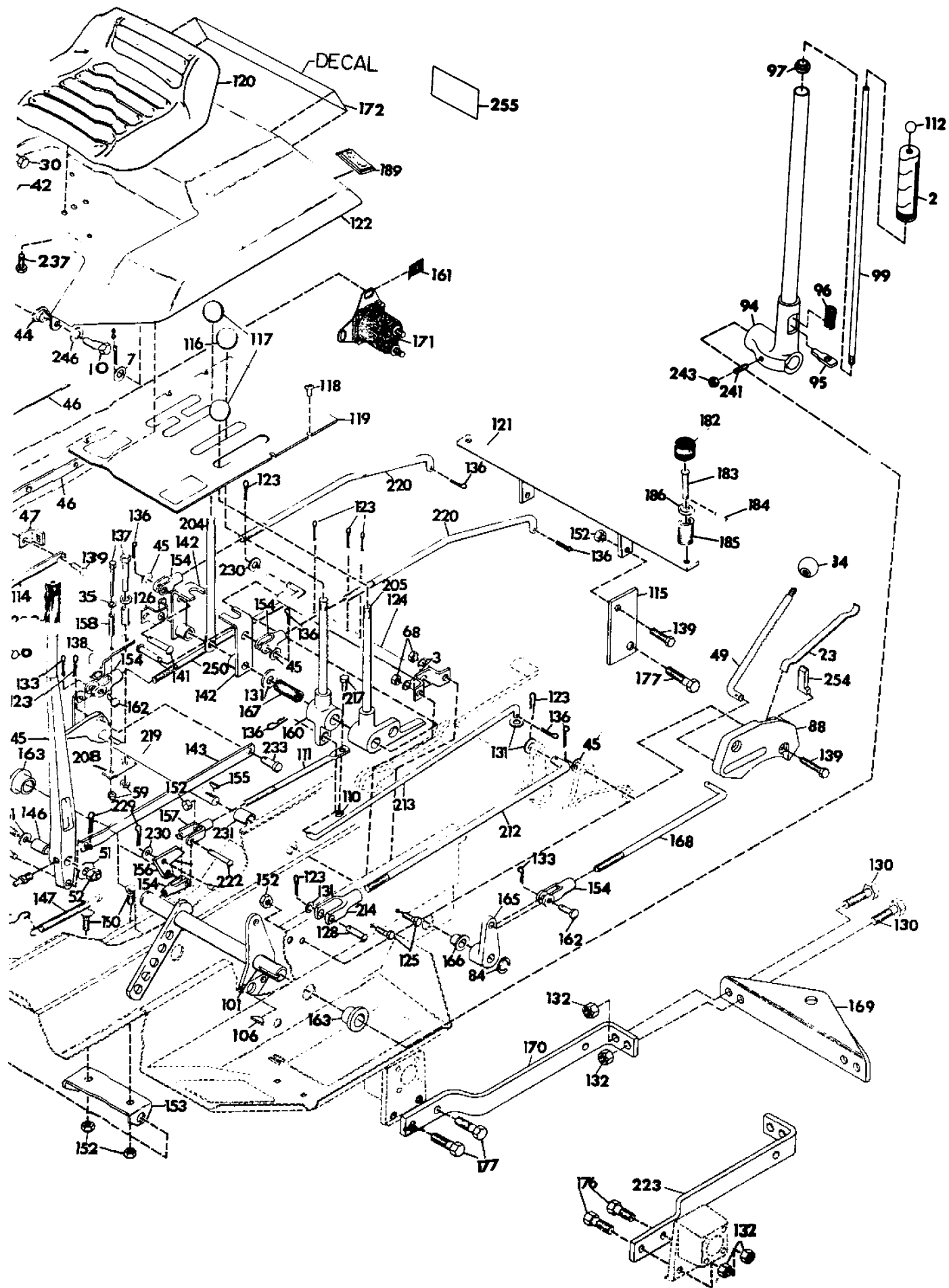
<u>ITEM NO.</u>	<u>PART NO.</u>	<u>DESCRIPTION</u>
51	17986P1	Final Drive Pinion
52	17946P1	Cup Plug
53	17937A1	Shifter Weldment
54	456299	1/4 x 1 Spring Pin
55	17932P1	Fork, Shifting
56	17934P1	Fork, Shifting
57	456384	1/4 x 3/4 Spring Pin Slotted
58	17917P1	Oil Seal
59	17923P1	Oil Seal
60	14989P1	Sliding Gear
61	14995P1	Sliding Gear
62	19538A1	PTO Shaft
63	17981P1	Body Core
64	18775P1	Ring Gear
65	17924P1	Spacer
66	17922P1	PTO Gear
68	9418692	Nut-Washer Insert 5/8-11 Reg.
69	131016	21/32 x 1-5/16 x .095 Flat Washer
70	18017P1	Shaft, PTO Yoke
71	18018P1	O-Ring
72	191249	3/8-16 x 3-3/4 Hex Hd Bolt
73	131100	7/16 Heavy Spring Lock Washer
74	18857P1	Front Cap Gasket
75	124549	Woodruff Key #9
76	11135P1	Retaining Ring
77	17940A1	Shifter Weldment
78	18858A1	Cap, Bearing Assembly
79	9660P1	Bearing, Torrington 128
80	103877	1/8 Sq Hd Pipe Plug, Steel
81	18015P1	Spring
82	274301	5/16 Steel Ball
83	18200P1	Interlock Pin
84	18031P1	Axle Oil Seal
87	11270P1	External E-Ring
88	18036P1	Stud
89	190171	1/2-20 Washer Insert Lock Nut
90	18024P1	Clutch Hub
91	18035P1	Oil Seal (Clutch) C/R 7631
92	18049A1	Clutch Disk Assembly
93	18041P1	Bellville Spring
95	18548P1	Shim (.030) Fwd.-Rev. Clutch
96	18042P1	Ball Bearing
97	18044P1	Spring
98	19063P1	Clutch Cam
99	18043P1	Retaining Ring
100	18047P1	Clutch Plate
101	18054P1	Retaining Ring
102	17964P1	PTO Spring
103	17963P1	PTO Throw-Out

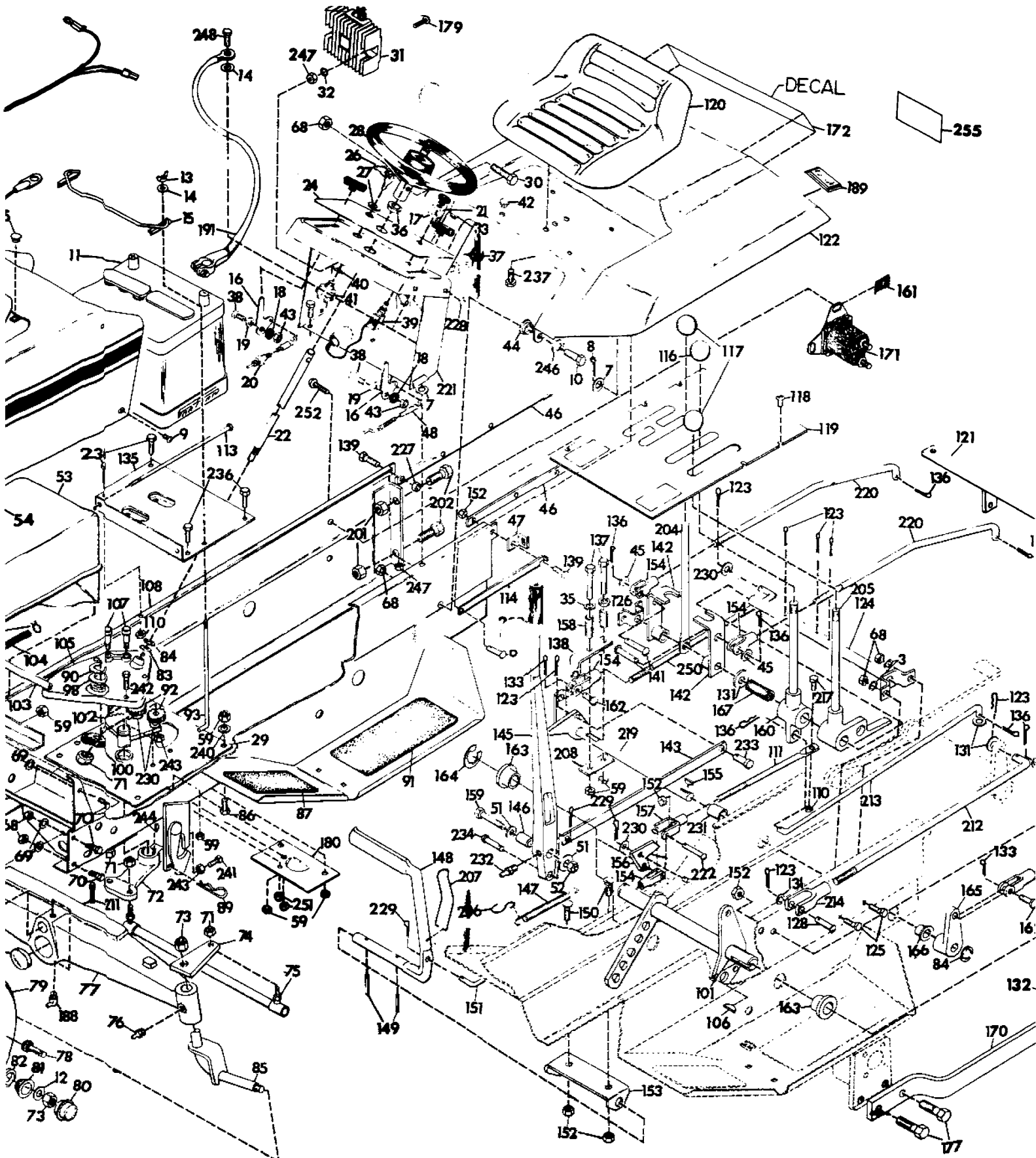
<u>ITEM NO.</u>	<u>PART NO.</u>	<u>DESCRIPTION</u>
104	17959P1	Thrust Race
105	11225P1	Needle Thrust Bearing
106	17925P1	Bushing-2 Speed
107	17960A1	Shifting Collar Assembly
108	14998P1	Thrust Race
109	17958P1	PTO Spacer
110	17957P1	Clutch Cup
111	15733P1	Snap Ring
112	17954A1	Clutch Cone Assembly
113	120396	17/32 x 1-1/16 x .095 Washer
114	17952P1	Clutch Cup
115	17967P1	Ball Bearing
116	17951P1	PTO Clutch Shaft
117	17965P1	PTO Gear
118	18167P1	Clutch Pin
119	18166P1	Clutch Roller
120	17943P1	Bushing
121	17944P1	Shifter Arm
122	271089	Woodruff Key #213
123	455481	3/16 x 1 Spring Pin
124	17945P1	Shifter Arm
125	17929P1	Shifter Arm
126	17926A1	Shifter Weldment
127	18016P1	PTO Yoke
128	120214	5/16 Med. Sp. Type Lock Washer
129	124549	Woodruff Key #9
130	17966P1	Retaining Ring
131	11202P1	Exhaust Gasket
132	19482A1	K301 Engine (8 Speed) (812)
134	18339P1	Engine Adaptor
135	18343P1	Input Gear
136	18341P1	Thrust Bearing
137	18342P1	Thrust Race
139	18052P1	Wheel Hub
140	11195P1	Rim Weldment
141	11191P1	Valve Stem Assembly
142	11194P1	Rear Tire (23 x 850 x 12)
143	12744P1	Hub Bolts 7/16-20 x 3/4 (Special)
144	180188	1/2-13 x 2-3/4 Hex Hd Bolt
145	18055P1	E-Ring
146	15143P1	Brake Drum
147	18053P1	E-Ring
148	18162A1	Brake Band Assembly
149	15137P1	Oil Seal
150	18165P1	Bushing
151	180151	7/16-14 x 1-3/4 Hex Hd Bolt
152	9421705	5/16-18 x 3/4 Hex Socket Set Screw
153	18340P1	Adaptor Gasket

<u>ITEM NO.</u>	<u>PART NO.</u>	<u>DESCRIPTION</u>
154	18345P1	Square Key
155	455481	3/16 x 1 Spring Pin
156	11705A1	Rear Wheel Assembly
158	18347P1	O-Ring
159	187184	#127 Woodruff Key 1/4 x 2-1/8
160	180191	1/2-13 x 3-1/4 Hex Hd Bolt
161	114798	Ball Sleeve Elbow Assy.
162	10862P2	Air Cleaner Instruction Decal
163	12009P1	Connector to Fuel Pump Line
164	12019P1	Fuel Line Support Bracket
165	19472P1	Pipe Cap 1/2 NPT
166	456004	3/8-16 Washer Insert Lock Nut
167	180125	3/8-16 x 1-3/8 Hex Hd Bolt
168	180132	3/8-16 x 2-1/4 Hex Hd Bolt
169	18421P1	Cover Plate
170	18030P1	Gasket
171	18812P1	Retaining Ring
172	7216P1	Fuel Hose Clamp
173	12714P1	Fuel Hose 8
174	12382P1	Fuel Line
175	18027P1	Transmission Cover Gasket
176	18346P1	O-Ring 3 x 3-3/16 x 3/32
177	11031P2	Starter Cable
178	19492A1	Exhaust Header
179	18422P1	Gasket Cover Plate
180	18029P1	Ball Bearing
181	14640A1	Roller Bearing Assembly
182	18810P1	Axle Bearing Retainer, LH
183	17911P1	Transmission Case
184	18011P1	Two Speed Gear
185	17913P1	Needle Bearing
186	11063P1	Needle Bearing
187	17912P1	Needle Bearing
188	17914P1	Needle Bearing
189	17913P1	Needle Bearing
190	17979P1	Spur Side Gear
191	18020A1	Idler Gear Assembly
192	17947A1	Reverse Gear Assembly
193	121664	1/2 NPT Pipe Nipple 2-1/2 Lg.
NS	103879	3/8 Sq Hd Pipe Plug
194	18543P1	Muffler Exhaust
195	14728P1	Muffler Clamp
196	180120	3/8-16 x 3/4 Hex Hd Bolt
197	18089P1	3/8 x 5/8 Dowel Pin
198	19340P1	Thrust Race
199	18344P1	Retaining Ring
200	6742P1	Race

<u>ITEM</u> <u>NO.</u>	<u>PART NO.</u>	<u>DESCRIPTION</u>
201	9421743	3/8 Cup Plug
202	103880	1/2 Sq Hd Pipe Plug Steel
203	18808P1	Gear, Hydraulic Pump
204	180079	5/16-18 x 1 Hex Hd Bolt
205	120214	5/16 Med Sp Type Lock Washer
206	19481A1	K241 Engine (8 Speed) (810)
207	120396	17/32 x 1-1/16 x .095 Washer
208	108686	Elbow, 1/2 90° Street
209	454475	3/8-16 Socket Hd Capscrew
210	160515	1/2-20 x 1/2 Pan Hd Cross Recess Screw
211	18522P1	Bracket
212	120375	1/4-20 Hex Nut
213	10629P1	Cable Tie
214	17936P1	Spring
215	18019P1	PTO Lever
216	18794P1	14 H.P. Engine Assembly (Kohler)







<u>ITEM NO.</u>	<u>PART NO.</u>	<u>DESCRIPTION</u>
1	19231P1	Wiring Harness
2	11119P1	Flex Grip
3	120214	5/16 Med Sp Type Lockwasher
4	12375P1	Battery Magnetic Switch Cable
5	18197P1	Plug Bumper
6	18420P1	1/4 Clevis Pin
7	120392	9/32 x 5/8 x .065 Flatwasher
8	121223	1/16 Cotter Pin 3/4 Lg.
9	160515	1/4-20 x 1/2 Pan Hd Machine Screw
10	181637	3/8-24 x 1 Hex Hd Bolt
11	7274E1	12V Battery
12	131016	21/32 x 1-15/16 x .095 Flatwasher
13	10413P1	1/2-20 Wing Nut, Washer Insert
14	120392	9/32 x 5/8 x .065 Flatwasher
15	11027P1	Battery Hold Down Bracket
16	11773A1	Knob & Lever Assembly
17	120388	7/16 x 1 x .083 Flatwasher
18	11772P1	Friction Washer
19	11774P1	Spring Washer
20	18509P1	Conduit Assembly
21	18587P1	Special Nut
22	19447P1	Steering Column
23	11105P1	Stop Spring
24	12011P1	Instrument Panel Decal
25	18447P1	Seal
26	18570P1	Ignition Switch Key, Indak
27	19666P1	9/16-24 Jam Nut, Indak
28	19448P1	Steering Wheel
29	18699A1	Steering Plate Weldment
30	180082	5/16-18 x 1-3/8 Hex Hd Bolt
31	18009P1	Regulator-Rectifier
32	120380	1/4 Spring Type Lockwasher
33	15906P1	Plug
34	11297P1	Shift Lever Knob
35	120393	11/32 x 11/16 x .065 Cad Plated Washer
36	10174P2	Bushing
37	11332A1	Cigar Lighter
38	181566	1/4-28 x 3/4 Hex Hd Bolt
39	11337P1	Light Switch
40	19667P1	9/16 Internal Tooth Lockwasher, Indak
41	18207P1	Ignition Switch, Indak
42	11352P1	Bumper Stem
43	9411621	1/4-28 Plug Insert Locknut
44	11138P1	Rear Fender Bushing
45	120394	13/32 ID x 13/16 OD x .065 Thk Washer
46	18361P1	Frame Ext Strap
47	18362P1	Fender Hold Up Bracket
48	11771P1	Conduit Assembly
49	18732P1	Lever Stop Rod
50	19534P1	Headlight Wire

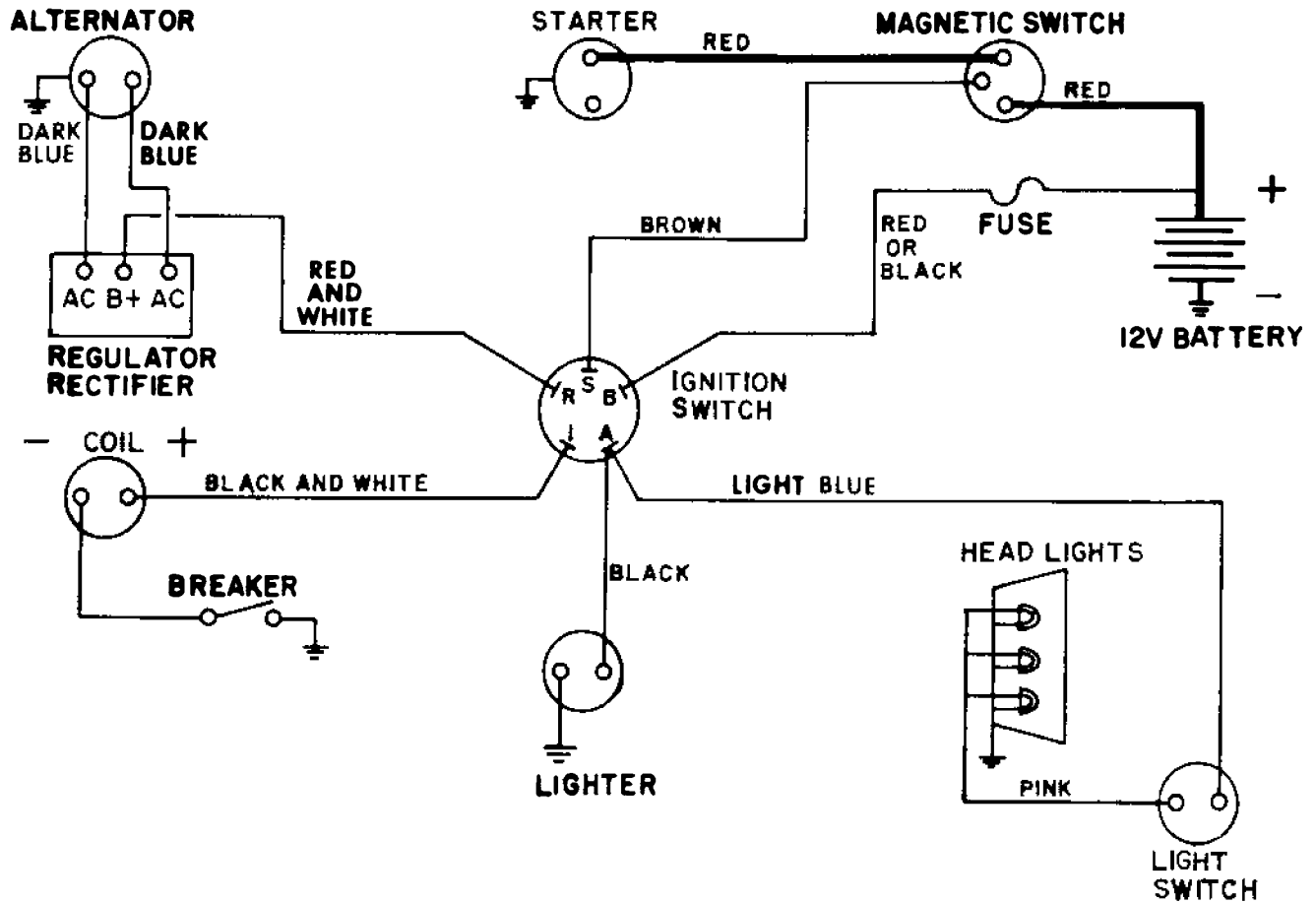
<u>ITEM NO.</u>	<u>PART NO.</u>	<u>DESCRIPTION</u>
51	120390	9/16 x 1-3/8 x .109 Flatwasher
52	9415993	1/2-20 Type CL Hex Lock Nut
53	12383P1	Fuel Tank
54	7289P1	Gas Cap
55	10629P1	Cable Tie
56	10969P1	Grille Casting
57	7216P1	Fuel Hose Clamp
58	18563P1	Fuel Valve 90° Rev. Flow
59	9419455	5/16-18 Washer Insert Locknut
60	15707A1	Hood Assembly
61	11334A1	Lamp Reflector Assembly
62	454646	Lamp No. 1073
63	11289P1	Front Light Panel (814 and 812)
64	11030P1	Light Mounting Clip
65	120385	1/4 x 9/16 x .049 Flatwasher
66	159947	10-24 x 3/4 Pan Hd Screw
67	159920	10-24 x 1/2 Pan Hd Screw
68	120376	5/16 x 18 Regular Hex Nut
69	120214	5/16 Spring Lock Washer
70	180079	5/16-18 x 1 Hex Hd Bolt
71	13627P1	3/8-24 Elastic Stop Nut
72	14890P1	Pitman Steering
73	9418692	5/8-11 Washer Insert Nut
74	18461P1	Tie Rod Arm
75	11130P1	Tie Rod Assembly
76	9411027	Lube Fitting 1/4-28
77	18652P2	Steering Axle
78	11191P1	Valve Stem Assembly
79	11190P1	Front Tire
80	18449P1	Cap
81	18446P1	Bearing Cone
82	18445P1	Bearing Cup
83	18697P1	Spacer
84	11270P1	E-Ring
85	18463A1	King Pin Weldment
86	180075	5/16-18 x 5/8 Hex Hd Bolt
87	11654P1	Foot Board Cover
88	11103P1	Locator Casting
89	10405P1	Hair Pin Cotter
90	11112P1	E-Ring
91	11653P1	Foot Board Cover
92	14889P1	Spur Gear
93	12386P1	Battery Hook
94	11113A1	Lift Lever Assembly
95	11116P1	Lever Pawl
96	10682P1	2-Speed Compression Spring
97	11117P1	Push Rod Guide
98	15826P1	Spacer
99	11118P1	Lever Push Rod
100	19083P1	Gear Helix

<u>ITEM NO.</u>	<u>PART NO.</u>	<u>DESCRIPTION</u>
101	18404A1	Lift Lever Shaft Weldment
102	14891A1	Weldment Sector
103	14897P1	Moulding
104	12544P1	Fuel Hose 12
105	14882P1	Steering Box Casting
106	187184	#127 Woodruff Key
107	17822P1	3/8-16 Socket Hd Shouldered Screw
108	18348A1	Main Frame Weldment
110	9419454	1/4-20 Washer Insert Locknut
111	18382P1	Brake Rod
112	19367P1	Push Rod Tip
113	15823P1	5/16-18 x 12 Hex Hd Bolt
114	18416P1	Fender Hold Up Strap
115	19491P1	Deck Support Standard
116	10670P1	Control Knob
117	11297P1	Shift Lever Knob
118	167257	1/4-20 x 1/2 Phillips Pan Hd Screw
119	18415P1	Control Cover Plate
120	18179P1	Seat
121	18358A1	Fender Support Weldment
122	19086A1	Rear Fender Weldment
123	137185	1/8 x 1 Cotter Pin
124	18365A1	Cross Shaft Weldment
125	180077	5/16-18 x 3/4 Hex Hd Bolt
126	11096P1	Cross Shaft Bracket
128	138086	1/2 Clevis Pin
130	180179	1/2-13 x 1-3/4 Hex Hd Bolt
131	120396	17/32 x 1-1/16 Washer
132	435507	1/2-13 Locknut
133	121222	3/32 x .75 Cotter Pin
135	18573P1	Battery Tray
136	137185	1/8 x 1 Cotter Pin
137	180091	5/16-18 x 2-1/2 Hex Hd Bolt
138	18396A1	Bracket Weldment
139	180124	3/8-16 x 1-1/4 Hex Hd Bolt
140	18448P1	Spacer
141	11718P1	3/8 x 1-1/4 Clevis Pin
142	18368A1	Shifter Arm Weldment
143	18403P1	Forward Reverse Shifter Link
145	19062P1	Forward Reverse Lever
146	11074P1	Clutch Lever Bushing
147	11263P1	Spring
148	11009P1	Brake Pedal
149	454668	3/16 x 1-1/4 Roll Pin
150	126227	3/8-16 Rd Hd Sq Neck Bolt 3/4 Lg.
151	18379P1	Brake Rod
152	456004	3/8-16 Washer Insert Locknut
153	11021P1	Brake Pedal Bracket
154	18380P1	Adjustable Clevis 3/8-24

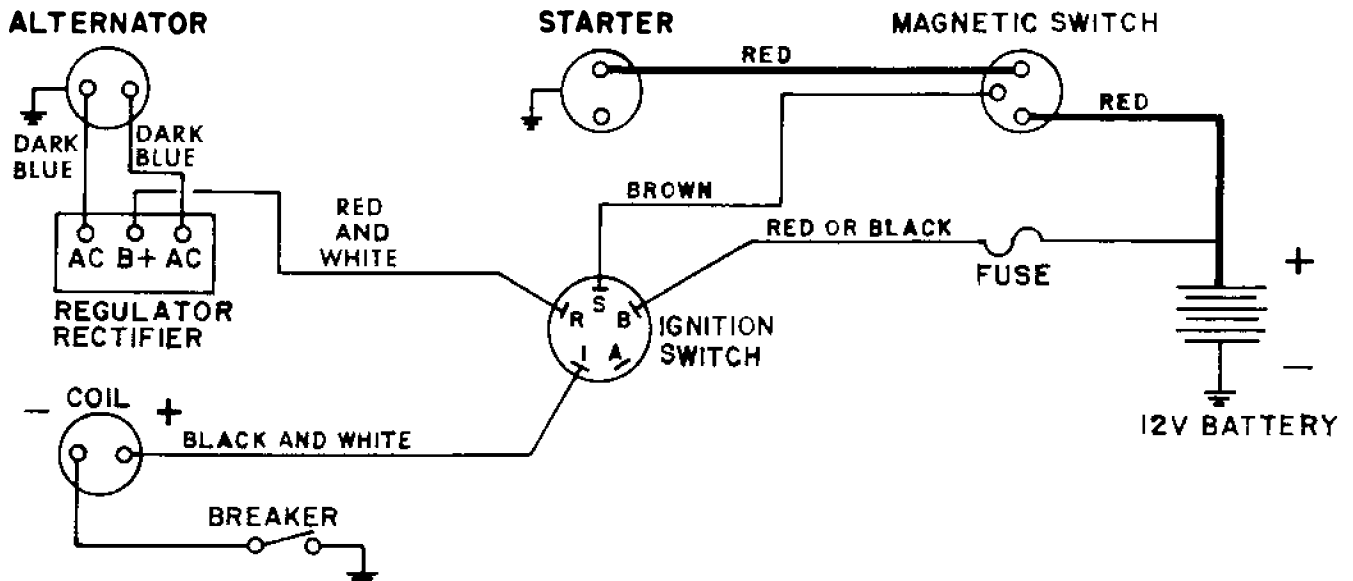
<u>ITEM NO.</u>	<u>PART NO.</u>	<u>DESCRIPTION</u>
155	124552	3/16 x 1 Woodruff Key
156	18381P1	Brake Cam
157	18383A1	Clevis Weldment
158	11779P1	Spring
159	181709	1/2-20 x 2-1/2 Hex Hd Cap Screw
160	18373A1	Control Arm Assembly
161	11676P1	Speed Nut
162	138078	3/8 x 1-1/16 Lg Clevis Pin
163	11111P1	Pivot Bushing
164	11112P1	E-Ring
165	18395P1	Reverse Clutch Arm
166	10174P2	Bushing
167	18372P1	Spring-Shift Lever
168	18401P1	Reverse Clutch Rod
169	19517P1	Hitch Plate
170	19515P1	Rear Hitch Arm, RH
171	7277P1	Magnetic Switch
172	19529P1	Gravelly Black Vinyl Decal
NS	19497P1	Hood Decal, RH (814)
176	180177	1/2-13 x 1-1/2 Hex Hd Bolt
177	180173	1/2-13 x 1 Hex Hd Bolt
179	160541	Screw-Pan Hd 1/4 x .75
180	18700A1	Steering Plate Cover
182	11768P1	Rubber Tip
183	11308P1	Spring Mounting Pin
184	455532	1/8 x 1/2 Roll Pin
185	11307P1	Rear Fender Spring
186	5741P1	Valve Spring Cap
188	9411031	1/2-28 Lube Fitting with 45°,
189	17837P1	Reflector, Red Safety (812)
190	19510P1	Hood Decal, LH
191	6980P1	Ground Cable
197	11057P1	Mesh Grill Insert
201	11058P1	Rim Nut
202	181700	1/2-20 x 1-1/2 Hex Hd Bolt
203	11078P1	Hand Lever Grip
204	11371P1	Shift Lever
205	18376A1	Control Arm Assembly (PTO)
206	11329P1	Spring Clip
207	11022P1	Brake Stop
208	18464P1	Plate
209	18785P1	Front Axle Cap
210	19434A1	Axle Pivot Weldment
211	103420	1/4 Cotter 1-1/2 Lg
212	18386P1	PTO Rod
213	18388P1	Two Speed Rod
214	18387P1	Adjustable Yoke 1/2-20
216	11286P1	Wire Clip
217	180018	1/4-20 x 5/8 Hex Hd Bolt

<u>ITEM NO.</u>	<u>PART NO.</u>	<u>DESCRIPTION</u>
219	18390A1	Clutch Shaft Weldment
220	18389P1	Shifting Rod
221	18316A1	Instrument Panel Weldment
222	18419P1	3/8 Clevis Pin
223	19516P1	Rear Hitch Arm LH
224	18864P1	Rear Hitch Pin
225	18442P1	Front Wheel Assembly
226	18443A1	Front Wheel Rim Assembly
227	456004	3/8-16 Washer Insert Lock Nut
228	11777P1	Plastic Grommet
229	177923	Pin, Cotter 1/8 x 3/4
230	120396	17/32 x 1-1/16 x .095 Washer
231	18485P1	Spacer-Clutch Cross Shaft
232	9411027	Lube Fitting, 1/4-28
233	11011P1	Lever Pin
234	11077P1	Clevis Pin
236	180018	1/4-20 x 5/8 Hex Hd Bolt
237	180172	1/2-13 x 7/8 Hex Hd Bolt
240	120393	11/32 x 11/16 x .065 Washer
241	102896	3/8-16 x 1 Sq Hd Set Screw
242	180081	5/16-18 Hex Hd Bolt 1-1/4 Lg
243	124829	3/8-16 Hex Jam Nut
244	106751	#9 Woodruff Key 1035 Steel
246	120394	13/32 x 13/16 x .065 Washer
NS	19496P1	Hood Decal, RH
NS	10862P2	Air Cleaner Instruction Decal
247	120375	1/4-20 Nut
248	180018	1/4-20 x 5/8 Hex Hd Bolt
250	18400P1	Forward Clutch Rod
251	9419455	5/16-18 Washer Insert Locknut
252	160515	1/4-20 Pan Hd Cross Re, Machine Sc. 1/2 Lg.
253	6913P1	Sta-Kon Terminal (RB 44)
254	11106P1	Lever Stop
255	11989P1	Electrical System Warning Decal
256	11288P1	Front Plate (810)
257	19509P1	Hood Decal, L.H. (810)
NS	19495P1	Hood Decal, R.H. (810)
258	19511P1	Hood Decal, L.H. (814)

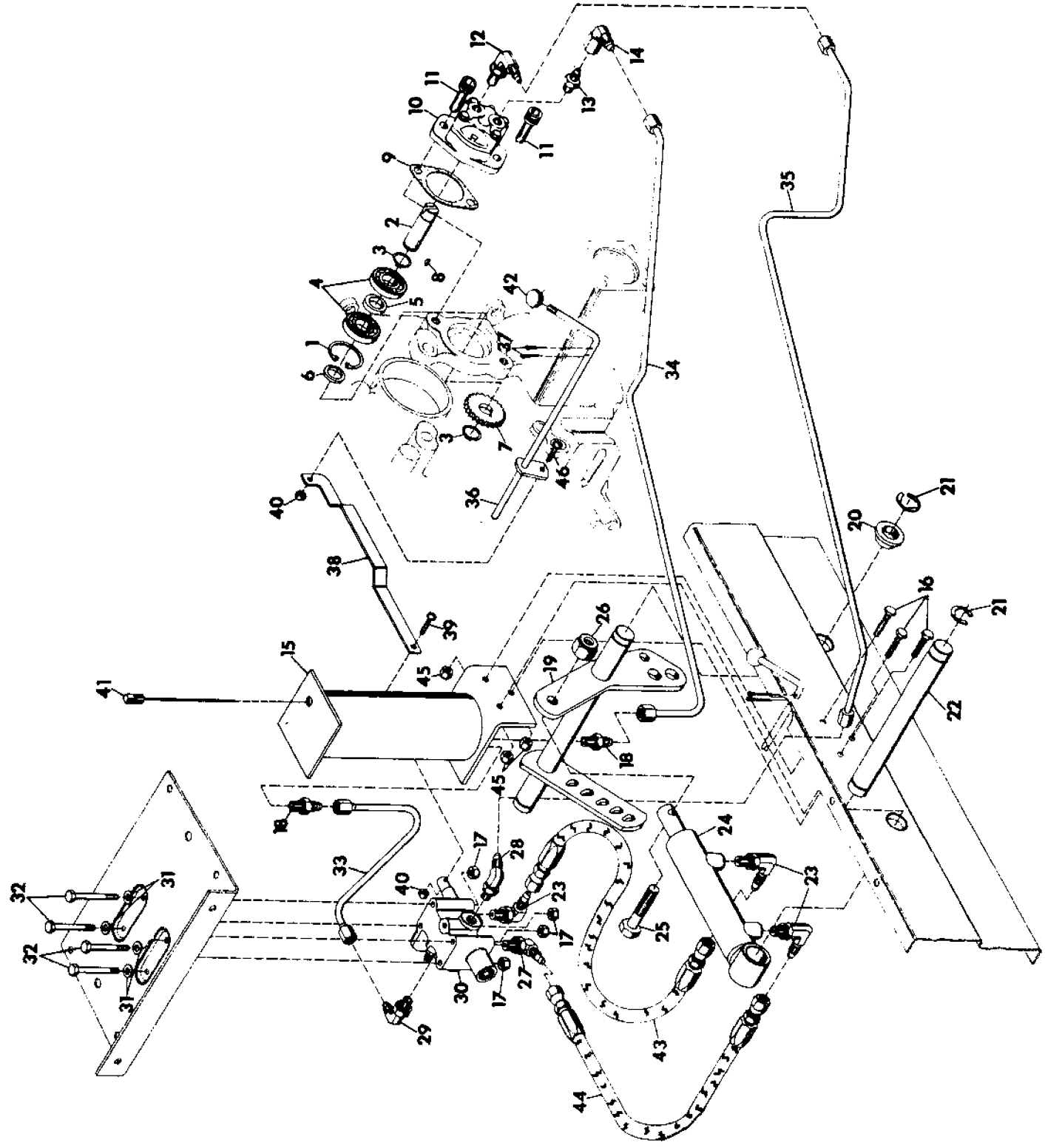
814 AND 812 WIRING DIAGRAM



810 WIRING DIAGRAM

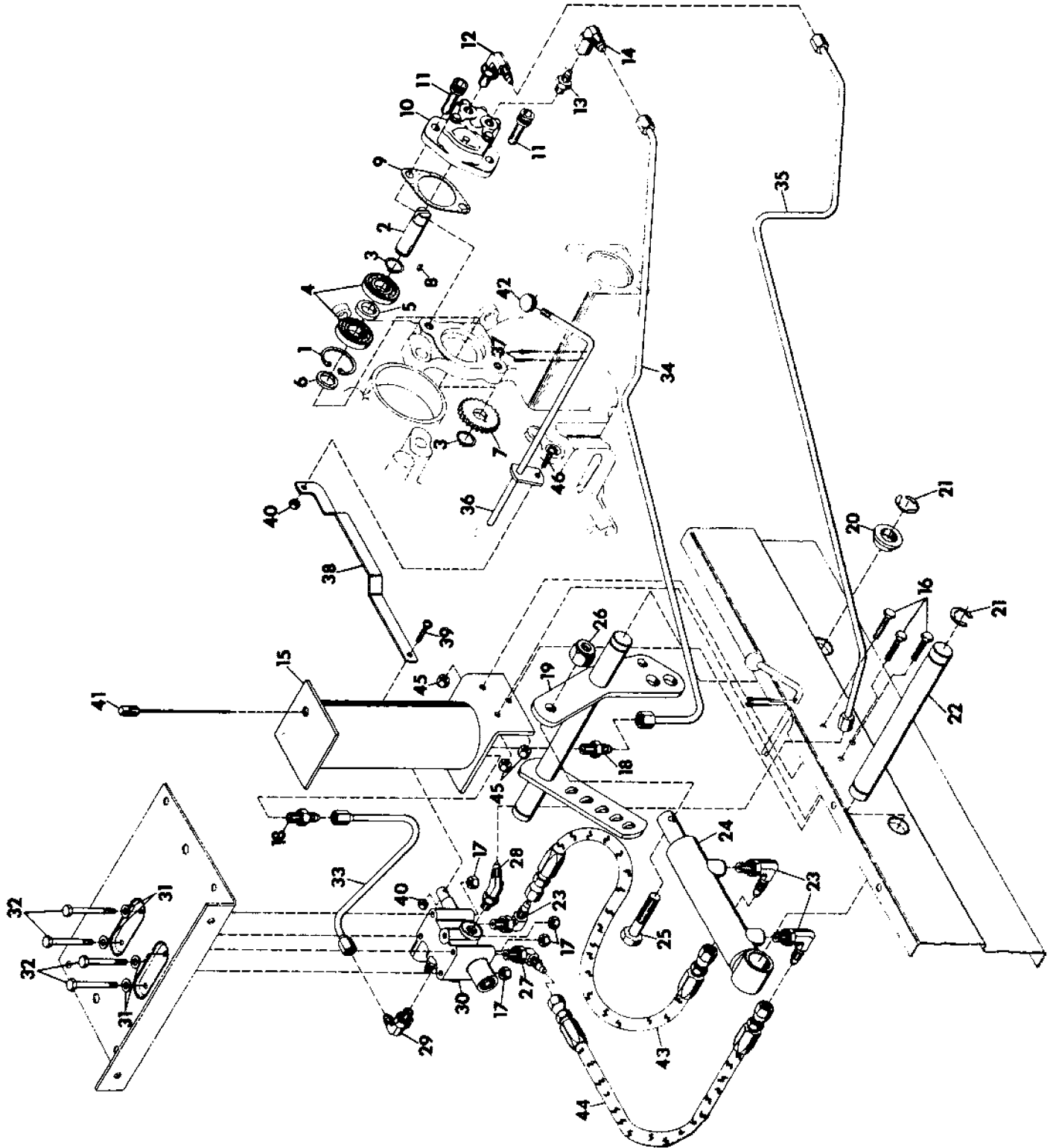


HYDRAULIC SYSTEM FOR 812 & 814 TRACTORS WITH HYDRAULICS

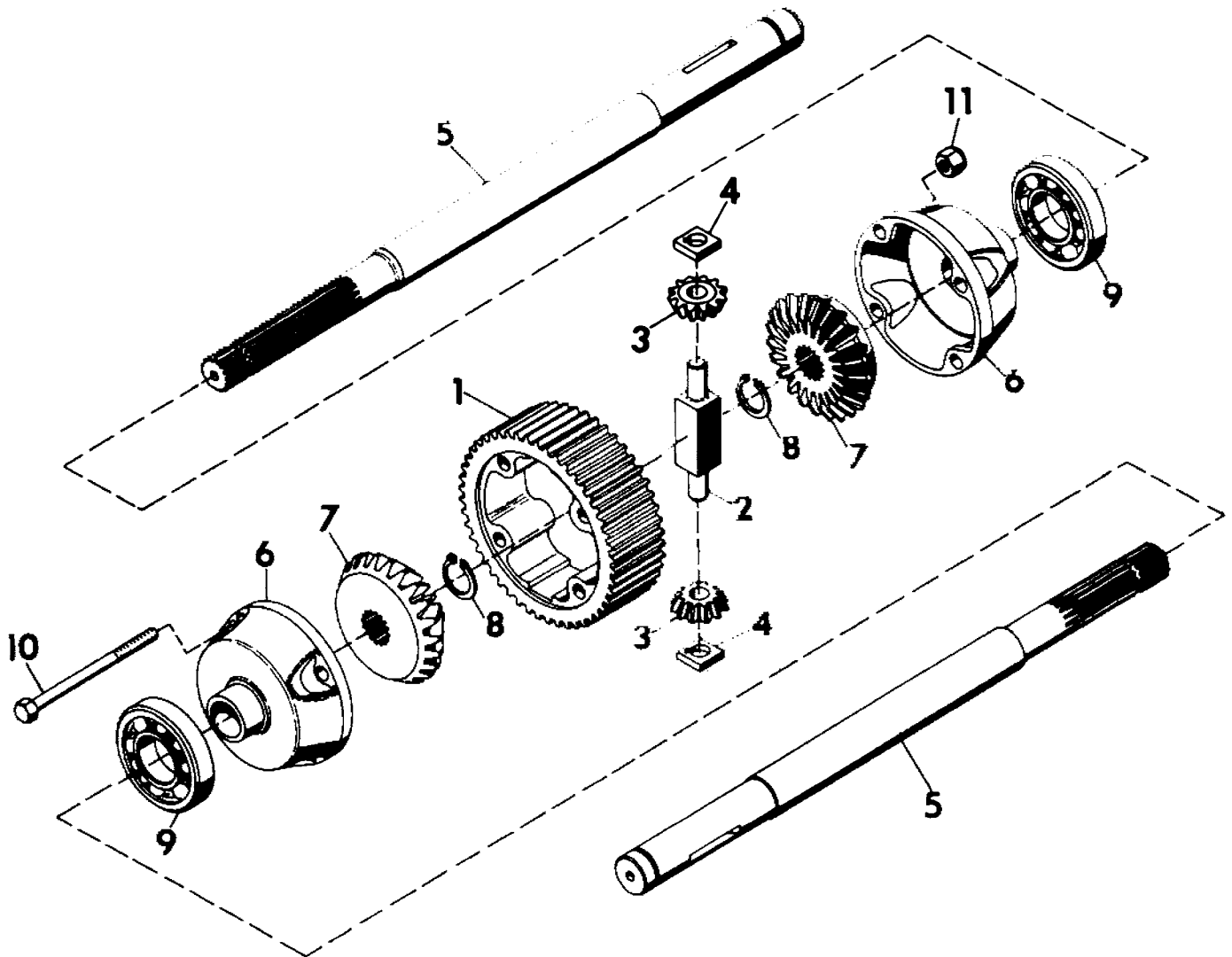


<u>ITEM NO.</u>	<u>PART NO.</u>	<u>DESCRIPTION</u>
1	18799P1	Retaining Ring N5000-137.
2	18797P1	Shaft Hyd-Pump
3	18809P1	Retaining Ring 5100-59
4	12626P1	Ball Bearing
5	18798P1	Spacer
6	18807P1	Spacer
7	18808P1	Gear Hyd-Pump
8	271089	#213 Woodruff Key
9	18422P1	Gasket
10	18813P1	Pump, Hydraulic
11	426370	3/8-16 x 1 Hex Socket Head Cap Screw
12	18816P1	Adapter
13	18817P1	Adapter
14	18818P1	Adapter
15	19161P1	Hyd Tank Weldment
16	180122	3/8-16 x 1 Hex Hd Bolt
17	9419454	1/4-20 Washer Insert Locknut
18	19167P1	Adapter
19	18822A1	Lift Lever Shaft Weldment
20	11111P1	Pivot Bushing
21	11112P1	E-Ring
22	18830P1	Shaft Hydraulic Cylinder
23	18826P1	Adapter
24	19471P1	Hydraulic Cylinder
25	180181	1/2-13 x 2 Hex Hd Bolt
26	435507	1/2-13 Locknut
27	18827P1	Adapter
28	18829P1	Adapter
29	18828P1	Adapter
30	18825P1	Hydraulic Valve
31	120392	9/32 x 5/8 x .065 Flatwasher
32	180050	1/4-20 x 2-3/4 Hex Hd Bolt
33	19165P1	Return Line (Valve to Tank)
34	19166P1	Hydraulic Line(In) (Tank to Pump)
35	18843P1	Hydraulic Line(Out) (Valve to Pump)
36	18833P1	Rod Weldment Hydraulic Valve
37	121224	3/32 x 1 Cotter Pin
38	18836P1	Rod, Hydraulic Control
39	132848	10-24 x 1 Rd Hd Slotted Machine Screw
40	190254	10-24 Washer Insert Nut
41	19413A1	Hydraulic Tank Dip Stick
42	11261P1	Adjusting Control Knob
43	18845P1	Hydraulic Hose
44	18844P1	Hydraulic Hose
45	456004	3/8-16 Washer Insert Locknut
46	120910	10-24 x 3/4 Rd Hd Slotted Machine Screw

HYDRAULIC SYSTEM FOR 812 & 814 TRACTORS WITH HYDRAULICS



BEVEL GEAR DIFFERENTIAL FOR 800 SERIES TRACTORS
AFTER SERIAL NO. 18930



<u>ITEM NO.</u>	<u>PART NO.</u>	<u>DESCRIPTION</u>
1.	19955P1	Gear, Final Drive
2.	19954P1	Pin, Spider Pinion
3.	19952P1	Pinion, Bevel
4.	12667P1	Block, Drive
5.	19957P1	Axle, Bevel Gear Diff.
6.	19956P1	Cap, Diff., End
7.	19953P1	Gear, Bevel
8.	17980P1	Ring, Retaining
9.	17984P1	Bearing, Ball 1.378 x 2.834 x .669
10.	20513P1	Bolt, Hex
11.	20514P1	Nut, Hex

Effective Date 10-15-73
Form Number 20544 L1