

On the 60" Center Mount Mower, remove the hinged discharge chute and the right support. On the 60" Rm Mower, remove the discharge chute and the right support.

1. Lay Template A and Template B on the deck, aligning the holes as shown in Figure 1. Drill three 408 diameter holes as indicated on the templates. The two new holes on Template B must be filed to form square holes.
2. Fasten the bracket underneath the deck at the new 408 diameter hole with a 3/8-16x1.00 round head square neck bolt and a 3/8-16 lock nut. Do not tighten completely. Position the scroll underneath the deck and fasten it to the bracket with a 3/8-16x1.00 round head square neck bolt and lock nut. Then the scroll to the deck with the 3/8-16x.75 carriage bolt and a lock nut. Tighten the 3/8-16x1.00 round head square neck bolt and lock nut fastening the bracket to the deck. See the illustration.
3. Slide the rod through one side of the roller bracket, a flat washer, the case roller, a flat washer and the other side of the roller bracket. Put a flat washer on both ends of the rod, cut the long (27") corner pin through one end of the rod and fasten it to the roller bracket with the 1/4-20x.75 lock bolt and 1/4-20 lock nut. Fasten the other end of the rod with the short (1") corner pin.

## 60" MOWER ROLLER & SCROLL KIT



## SECTION 1

### Installation Instructions

1. On the 60" Center Mount Mower, remove the hinged discharge chute and the right support. On the 60" Pro Master Mower, remove the discharge bracket, lift pivot bracket and both rear adjustment plates from the right side of the deck.
2. Lay Template A and Template B on the deck, aligning the holes as shown in Figure 1. Drill three .406 diameter holes as indicated on the templates. The two new holes on Template B must be filed to form square holes.
3. Fasten the bracket underneath the deck at the new .406 diameter hole with a 3/8-16x1.00 round head square neck bolt and a 3/8-16 lock nut. Do not tighten completely. Position the scroll underneath the deck and fasten it to the bracket with a 3/8-16x1.00 round head square neck bolt and lock nut. Fasten the scroll to the deck with the 3/8-16x.75 carriage bolt and a lock nut. Tighten the 3/8-16x1.00 round head square neck bolt and lock nut fastening the bracket to the deck. See the illustration.
4. Slide the rod through one side of the roller bracket, a flat washer, the gage roller, a flat washer and the other side of the roller bracket. Put a flat washer on both ends of the rod. Put the long (2") cotter pin through one end of the rod and fasten it to the roller bracket with the 1/4-20x.75 hex bolt and 1/4-20 lock nut. Retain the other end of the rod with the short (1") cotter pin.
5. Position the roller bracket under the deck at the two new square holes as shown in the illustration. Fasten the roller bracket to the deck with two 3/8-16x1.00 round head square neck bolts and lock nuts.
6. On the 60" Center Mount Mower, install the right support and the discharge chute. On the 60" Pro Master Mower, install the discharge bracket, lift pivot bracket and rear adjustment plates.

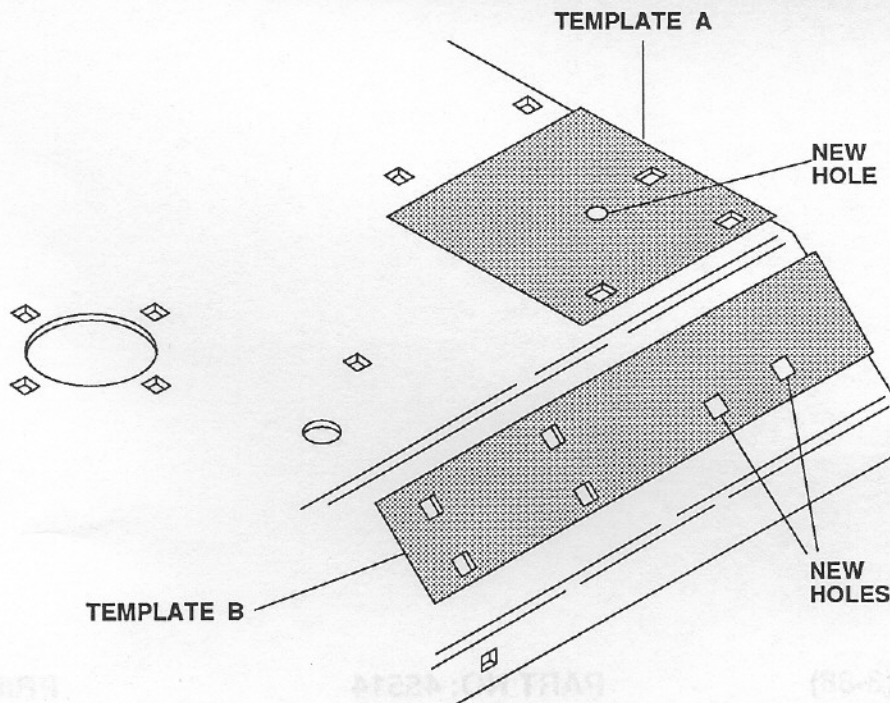


FIGURE 1

### INSTALLATION

1. On the 60" Center Mount Mower, remove the right support and the right support. On the 60" Pro Master Mower, remove the right support, the right support bracket and right rear adjustment plate from the right side of the deck.
2. Lay Template A and Template B on the deck of the mower as shown in Figure 1. The three .406 diameter holes as indicated on the templates. The two new holes in Template B must be hand-drilled to form square holes.
3. Fasten the bracket underneath the deck of the new 40" mower with a 3/8-16x1.00 round head square neck bolt and a 3/8-16 lock nut. Do not tighten completely. Position the screw underneath the deck and fasten it to the bracket with a 1/4-20x.75 round head square neck bolt and lock nut. Fasten the screw to the deck with the 3/8-16x.75 round head square neck bolt and lock nut. Tighten the 3/8-16x1.00 round head square neck bolt and lock nut fastening the bracket to the deck. See the illustration.

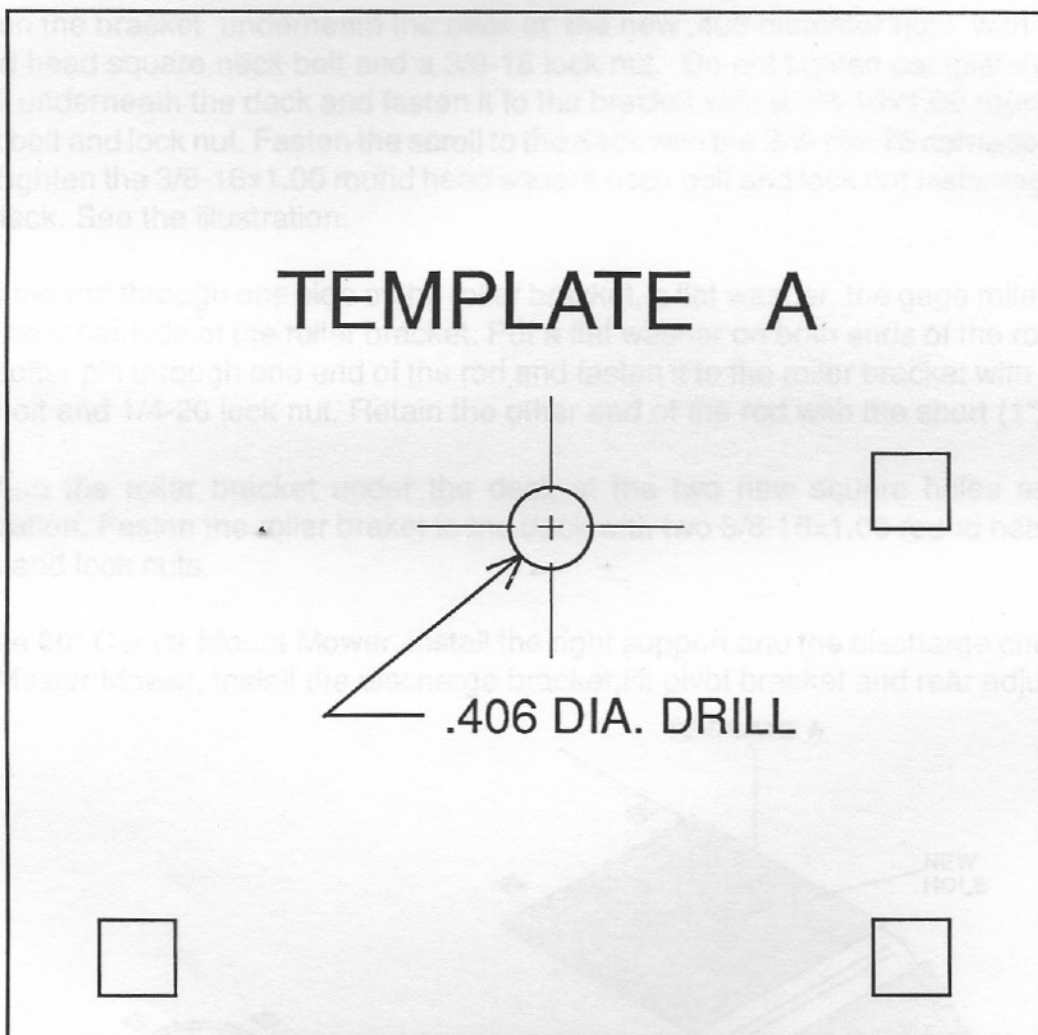
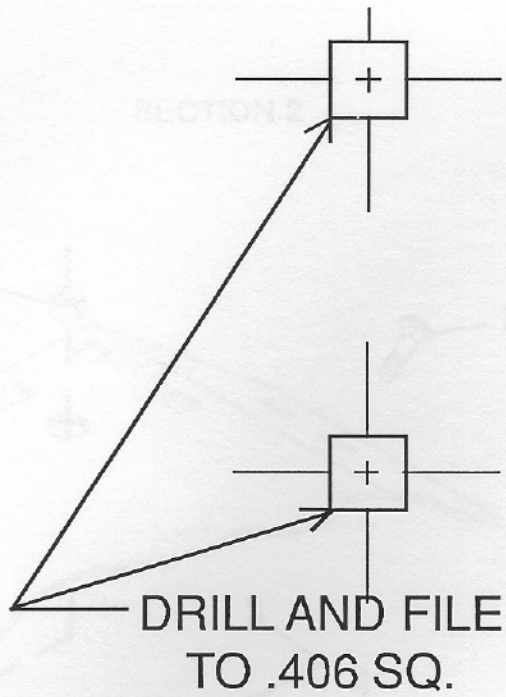
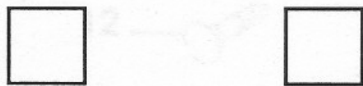


FIGURE 1.



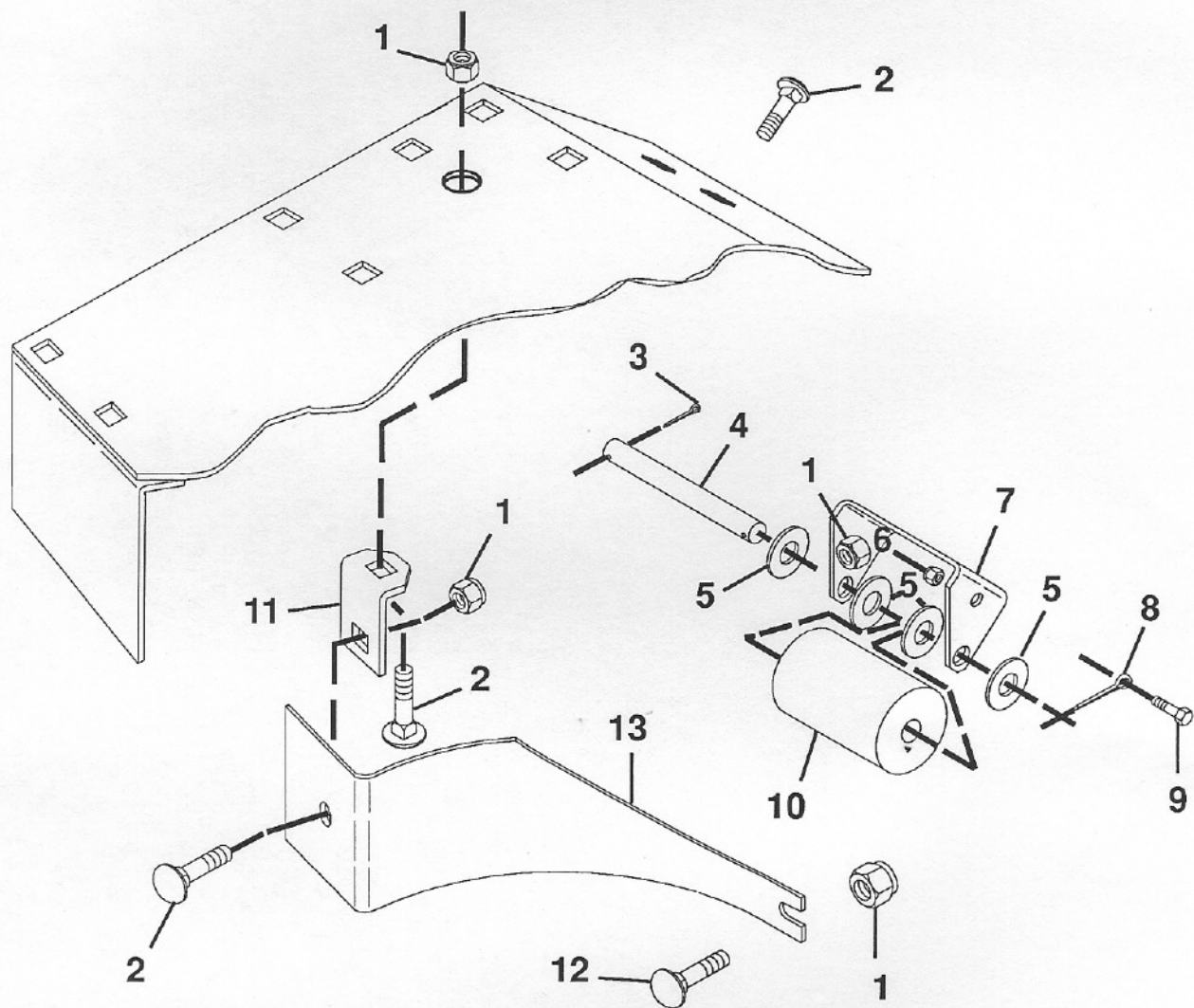


# TEMPLATE B



ITEM NO.	PART NO.	QTY	DESCRIPTION
1	488004	5	Nut, Lock 3/8-16
2	429915	4	Bolt, 3/8-16x1.0 Rd Hd Do 1/2
3	429925	1	Pin, Cotter 25x.00
4	488001	1	Rod
5	488002	4	Washer, Flat 2 1/2x1.312x.035
6	488003	1	Nut, Hex 1/4-20
7	488004	1	Bracket, Roller
8	488005	1	Pin, Cotter 25x.00
9	488006	1	Bolt, Hex 1/4-20 1/2
10	488007	1	Roller, Gage
11	488008	1	Bracket
12	488009	1	Bolt, Carriage 1/4-20 1/2
13	488010	1	Strip

## SECTION 2



ITEM NO.	PART NO.	QTY.	DESCRIPTION
1	456004	5	Nut, Lock 3/8-16
2	120915	4	Bolt, 3/8-16x1.00 Rd Hd Sq Nk
3	179128	1	Pin, Cotter .25x1.00
4	45211	1	Rod
5	131016	4	Washer, Flat .656x1.312x.095
6	120375	1	Nut, Hex 1/4-20
7	45210	1	Bracket, Roller
8	103422	1	Pin, Cotter .25x2.00
9	180020	1	Bolt, Hex 1/4-20x.75
10	15351	1	Roller, Gage
11	41228	1	Bracket
12	126227	1	Bolt, Carriage 3/8-16x.75
13	45515	1	Scroll