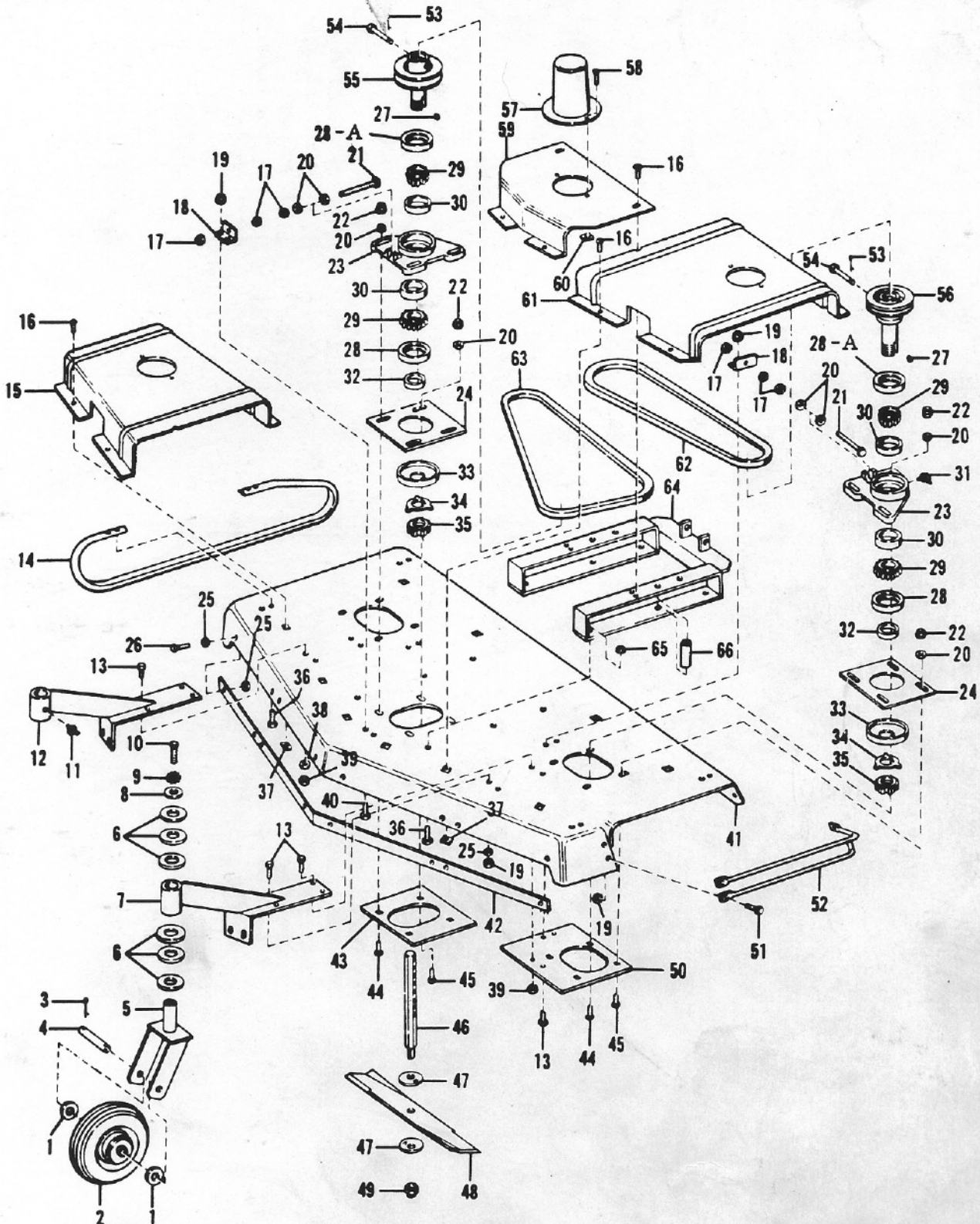


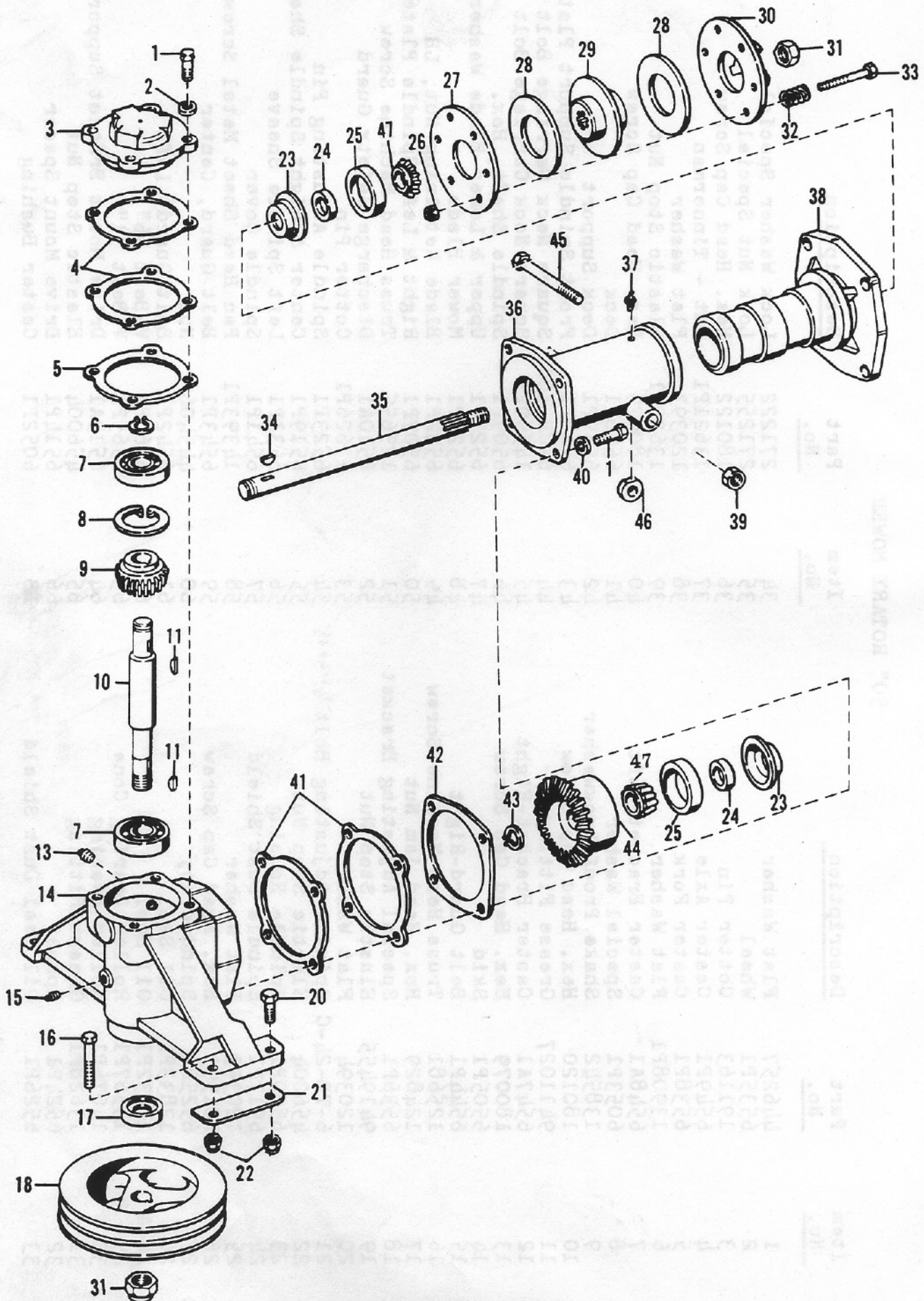
Continue its program of quality and design improvement, the manufacturer reserves the right to change specifications, designs or prices without notice and without incurring obligation.



50" ROTARY MOWER

<u>Item No.</u>	<u>Part No.</u>	<u>Description</u>	<u>Item No.</u>	<u>Part No.</u>	<u>Description</u>
1	446257	Flat Washer	34	271222	Lock Washer Special
2	6535P1	Wheel	35	271255	Lock Nut Special
3	191163	Cotter Pin	36	180122	Hex. Head Cap Screw
4	6549P1	Caster Axle	37	13621P1	Nut - Tinnerman
5	6538P1	Caster Fork	38	120393	Flat Washer
6	13908P1	Flat Washer	39	13622P1	Elastic Stop Nut
7	6548A1	Caster Bracket-Left	40	180079	Hex. Head Cap Screw
8	6053P1	Special Washer	41	6546P1	Deck
9	138542	Shake Proof Lockwasher	42	6539P1	Deck Support
10	180120	Hex. Head Cap Screw	43	6508P1	Front Spindle Support Plate
11	9411027	Grease Fitting	44	6-CB-10C	Square Neck Carriage Bolt $\frac{3}{8}$ " x 1"
12	6547A1	Caster Bracket-Right	45	14559P1	Square Neck Carriage Bolt
13	180079	Hex. Head Cap Screw	46	6509P1	Spindle Shaft, Hex.
14	6505P1	Skid	47	6527P1	Upper & Lower Blade Washer
15	6544P1	Belt Guard-Right	48	6528P1	Mower Blade
16	125681	Truss Head Machine Screw	49	6532P1	Blade Retaining Nut, LH
17	124829	Hex. Head Jam Nut	50	6507P1	Right & Left Spindle Plate
18	6536P1	Special Adjusting Bracket	51	125655	Truss Head Machine Screw
19	9419455	Elastic Stop Nut	52	6510A1	Discharge Safety Guard
20	120394	Flat Washer	53	13626P1	Cotter Pin
21	6-TB-24-C	Spindle Adjusting Bolt $\frac{3}{8}$ " x $1\frac{1}{2}$ "	54	6523P1	Spindle Adjusting Pin
22	456004	Elastic Stop Nut	55	6519P1	Center & Right Spindle Sheave
23	6520P1	Spindle Housing	56	6531P1	Left Spindle Sheave
24	6517P1	Spindle Dust Shield	57	6541P1	Spindle Cover
25	120393	Flat Washer	58	14393P1	Pan Head Sheet Metal Screw
26	181593	Hex. Head Cap Screw	59	6543P1	Belt Guard, Center
27	6525P1	Spindle Key	60	445406	Nut
28	12833P1	Oil Seal	61	6542P1	Belt Guard, Left
28-A	12832P1	Oil Seal	62	6566P1	V-Belt 46"
29	13567P1	Roller Bearing Cone	63	6565P1	V-Belt 51"
30	14076P1	Roller Bearing	64	6513A1	Drive Mount Bracket Support
31	13628P1	Grease Fitting	65	456004	Elastic Stop Nut
32	6524P1	Spacer	66	6514P1	Drive Mount Spacer
33	6526P1	Oil Seal Dust Shield	NS	6052P1	Caster Bushing

DRIVE ASSEMBLY---50" ROTARY MOWER



DRIVE ASSEMBLY---50" ROTARY MOWER

<u>Item No.</u>	<u>Part No.</u>	<u>Description</u>
1	180121	Hex. Head Cap Screw
2	120382	Spring Lock Washer
3	6502P1	Bearing Cap
4	12758P1	Bearing Cap Shim
5	12770P1	Gasket
6	13565P1	Retaining Ring
7	14006P1	Ball Bearing
8	13566P1	Beveled Retaining Ring
9	12863P1	Bevel Pinion
10	6575P1	Drive Sheave Shaft
11	124549	Woodruff Key
13	13408P1	Oil Filler Plug
14	6501P1	Drive Gear Box
15	103865	Oil Level Plug
16	191163	Hex. Head Cap Screw
17	12831P1	Oil Seal
18	6574P1	Drive Sheave
20	180134	Hex. Head Cap Screw
21	6516P1	Gear Box Mounting Bracket Gasket
22	456004	Elastic Stop Nut
23	12550P1	Oil Seal Retainer
24	13122P1	Oil Seal Garlock
25	13143P1	Timken Roller Bearing Race
26	124920	Hex. Jam Nut
27	12868P1	Clutch Back Plate
28	12870P1	Friction Washer
29	12869P1	Clutch Drive Plate
30	12867P1	Clutch Dog Plate
31	13412P1	Elastic Stop Nut
32	12871P1	Spring
33	181618	Spring Bolt
34	103907	Woodruff Key
35	12566P1	Drive Shaft
36	12023P1	Swivel Casting
37	9411010	Grease Fitting
38	11815P1	Drive Shaft Housing
39	435507	Elastic Stop Nut
40	120382	Spring Lock Washer
41	12490P1	Shims
42	12491P1	Gasket
43	13187P1	Retaining Ring
44	12862P1	Bevel Gear
45	180193	Hex. Head Cap Screw
46	6515P1	Swivel Casting Spacer Washer
47	13144P1	Timken Roller Bearing Con