



CONTENTS

INSTRUCTIONS FOR SAFE OPERATION

NOTE

Read this manual carefully and follow instructions and service instructions for the 50" mower before using it.

To keep the warranty valid, the 50" mower must be maintained and operated as directed in this manual.

All references to "left-side" and "right-side" are to the left and right of the operator's seat.

50" MOWER (DIRECT MOUNT) OPERATOR'S MANUAL

ILLUSTRATED PARTS AND PARTS LIST

Look for this symbol to point out important safety precautions. If necessary, attention only become alerted. YOUR SAFETY IS INVOLVED.



GRAVELLY



NOTE

Read this manual carefully and learn to operate and service your 50" Mower before using it.

To keep the warranty, the 50" Mower must be maintained and operated as directed in this manual.

All references to "left-side", "right-side", "front", and "back" are given from the operator's position.



Look for this symbol to point out important safety precautions. It means -- ATTENTION! BECOME ALERT! YOUR SAFETY IS INVOLVED.

CONTENTS

1. INSTRUCTIONS FOR SAFE OPERATION

2. OPERATING INSTRUCTIONS

3. SERVICE INSTRUCTIONS

4. STORAGE

5. SOLVING PROBLEMS

6. ILLUSTRATED PARTS AND PARTS LIST

7. SPECIFICATIONS

8. SET-UP INSTRUCTIONS

9. WARRANTY

SECTION 1

Instructions for Safe Operation

Improper use of this equipment can injure people and damage the equipment. People using or servicing this equipment must read and follow the instructions in this manual.

It is important to understand that this manual and any other Gravely instruction manuals do not cover every possible danger. It is impossible for Gravely to know all possible dangers in operating and servicing the equipment.

The purchaser must give these instructions to the people operating and maintaining this equipment. These people must use eye and foot protection.

1.1 Preparation:

1. Read this manual and the tractor manual carefully.
2. Learn the location and function of all controls.
3. Learn how to use the controls to stop the wheels and mower quickly.
4. Use caution with gasoline. Gasoline is very flammable. Keep it in a clean and tight container away from flames or hot items. Never put gasoline in the fuel tank while the engine is running or hot. Clean up spilled gasoline before starting engine.
5. Be certain that all shields, guards, and interlock switches are in the correct positions.
6. Never permit children to operate the tractor and mower.
7. Inspect area to be mowed and remove all material which could be thrown by the mower.
8. Before starting the engine, put the PTO control lever in the "OFF" position and the gear shift lever in the neutral "N" position.
9. When hauling the equipment, connect the chassis to the transporting vehicle. Never connect from control levers, rods, or like items that could be damaged.
10. Replace all parts that become damaged or lost.
11. Be certain the operator presence controls work correctly before operating the mower.

1.2 Operation:

1. Wear foot and eye protection. Do not wear loose clothing.
2. Do not use the equipment in the dark without adequate lighting.
3. Keep the equipment in good condition. Maintain it as directed in this manual.
4. USE ONLY GRAVELY ACCESSORIES AND ATTACHMENTS.
5. Do not overspeed the engine. Do not override the governor.
6. Keep away from moving parts.
7. Keep people and animals away from the operating area.
8. Do not let people other than the operator near the operating equipment.
9. Use a slow speed and engage the direction control lever slowly when operating on slopes.
10. Look for and keep away from hazards.
11. After hitting an object, stop the equipment and engine. Check for damage. Repair any damage before operating.
12. Look behind when operating in reverse. Look for people and hazards.
13. Operate only from the operator's position, just behind the handlebars. Never walk between the handlebars.
14. Travel across, not up and down slopes.
15. If there is a sudden change in the sound or vibration of the equipment, stop the engine and check for damage. Repair any damage or failure before continuing operation.
16. Never run the engine indoors except to move it outside. Exhaust fumes are dangerous.
17. Go slowly on slick surfaces.
18. Follow traffic laws when operating on or near a road.
19. Before making adjustments or servicing, move the PTO to "OFF," turn the ignition switch to "OFF," and wait until all moving parts completely stop.
20. Before leaving the operator's position, put the PTO control in the "OFF" position, turn the ignition key to the "OFF" position. Move the direction control lever to forward position (walk-behind tractor).

SECTION 2

Operating Instructions

- 2.1 Transport the equipment to the area to be mowed.
- 2.2 Inspect the area to be mowed and remove all material which could be thrown by the mower.
- 2.3 Plan the pattern for cutting the grass. Generally an area is mowed around the periphery towards the center by discharging the grass toward the center on the first pass. The remainder of the mowing is done discharging the grass outward in the area which has been cut.
- 2.4 See Section 7 for the schedule of heights of cut. Set the mower for the height of cut desired.
- 2.5 See the tractor manual for correct operation of the PTO. Start the engine and put the PTO control in the "ON" position. Move the throttle control to the "FAST" position.
- 2.6 Select a slow gear. Engage the forward clutch. Control the ground speed by selecting the desired gear.

SECTION 3

Service Instructions

3.1 Lubrication:

1. Every eight hours of operation apply multi-purpose grease to the lube fittings on:
 - a. Each spindle (3)
 - b. Each gauge wheel (2)
 - c. Drive shaft
 - d. Each caster fork (2)
 - e. Axle pivot
2. Gear Box: Once a year or every 200 hours of operation, check the lubricant by removing the cover. Clean the top of the gear box and carefully remove the cover. Replace the gasket if damaged. Keep the gear box $3/4$ full of grease.

3.2 Blade Service:

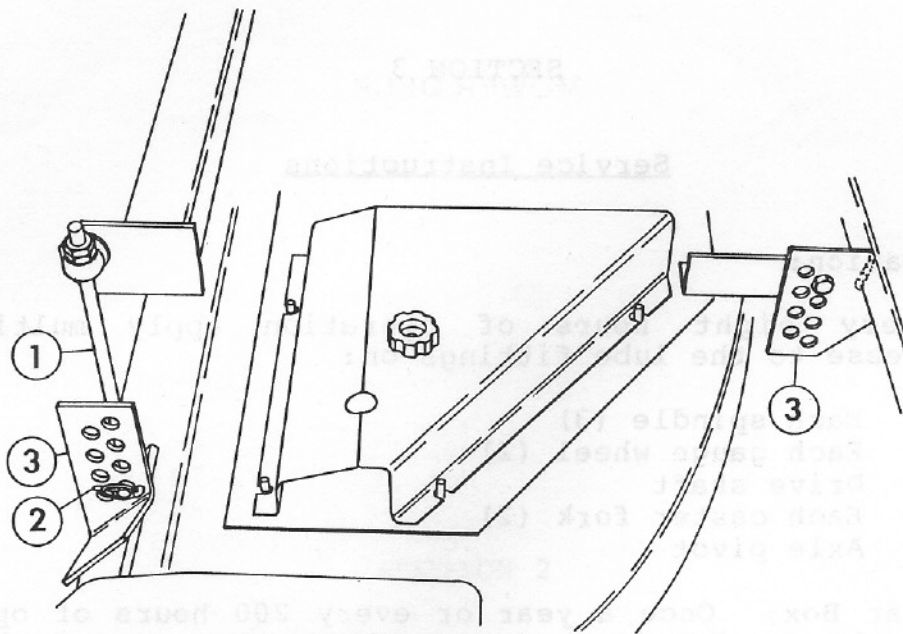
1. Every ten hours of operation or when the cut is poor visually, check the blades for sharpness.
2. Remove the mower from the tractor. See Section 3.8.
3. Turn the mower upside down.
4. Block the blades and remove the nuts and flat washers from the spindle.
5. Sharpen and balance the blade.
6. Reverse the removal process to install the blades on mower and the mower on the tractor.
7. Replace the blades when over $1/2$ " has been removed or the blade cannot be balanced.

3.3 Cutting Height Adjustment

The cutting height positions are shown on the decals on the mower deck. Each position will raise or lower the cutting height $1/2$ " (1.27cm). The number "1" is the lowest cutting height position. The number "7" is the highest cutting height position ($1-1/2$ " to $4-1/2$ ").

To adjust the cutting height of the mower:

1. Remove the bolts that fasten the height adjustment bracket to the mower. See Figure 1.



1 - Lift Rod
 2 - Klik Pins
 3 - Height Adj. Brackets
 FIGURE 1

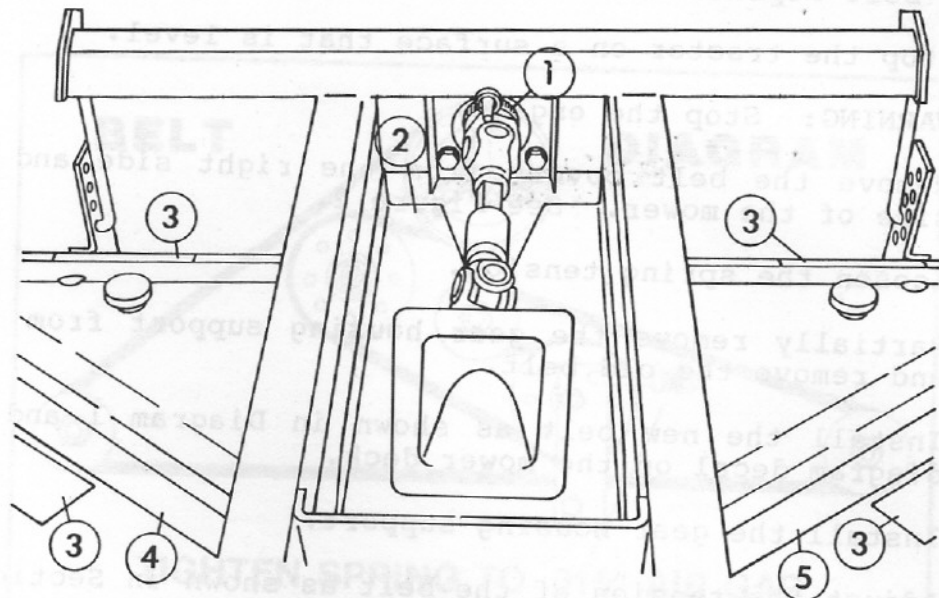
2. Select the hole in the axle plate that will give the desired cutting height. Align the hole in the height adjustment bracket with the hole in the axle plate. Put the bolts through the holes and install the nuts.
3. Remove the klik pin from the lift rod.
4. Put the lift rod in the hole in the rear adjustment plate that will give the same cutting height position as selected in step 2. Install the klik pin.
5. Repeat steps 3 and 4 for the other lift rod.

3.4 Mower Belt Tension Adjustment

It is not necessary to remove the mower from the tractor to adjust the tension of the belt.

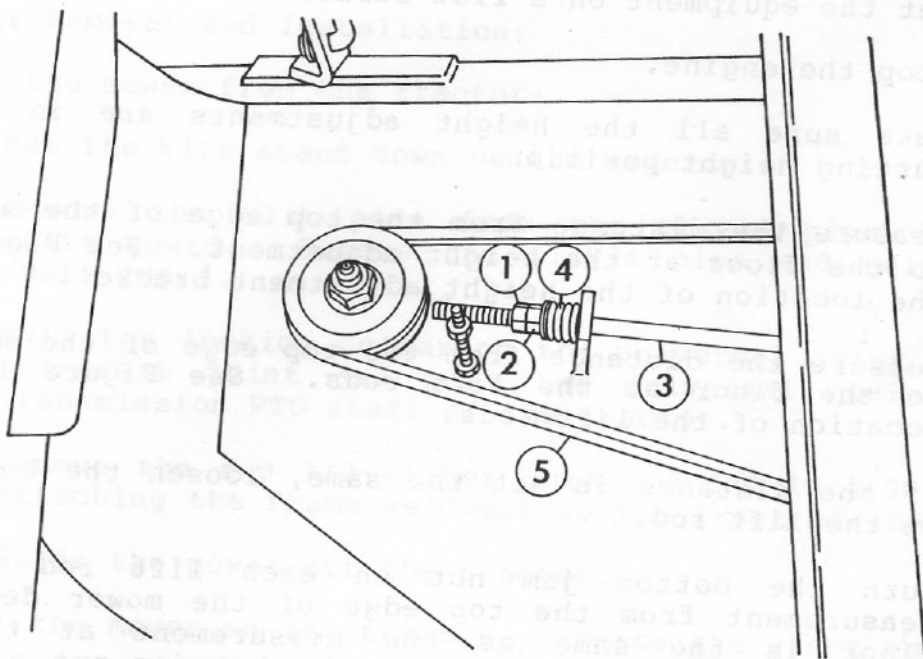
⚠ WARNING: Stop the engine.

1. Remove the right side belt cover. See Figures 2 and 3.
2. Hold the adjusting nut and turn the jam nut counter-clockwise.
3. Turn the adjusting nut clockwise until there is a gap of .010" to .015" (.25mm to .38mm) between the coils of the spring.
4. Hold the adjusting nut and tighten the jam nut against the adjusting nut.
5. Install the right side belt cover.



- | | |
|--------------------------|----------------------|
| 1 - PTO Drive Coupling | 4 - Right Belt Cover |
| 2 - Gear Housing Support | 5 - Left Belt Cover |
| 3 - Height Adj. Decals | |

FIGURE 2




- | | |
|-------------------|----------------|
| 1 - Jam Nut | 4 - Spring |
| 2 - Adjusting Nut | 5 - Mower Belt |
| 3 - Idler Rod | |

FIGURE 3

3.5 Mower Belt Replacement

1. Stop the tractor on a surface that is level.

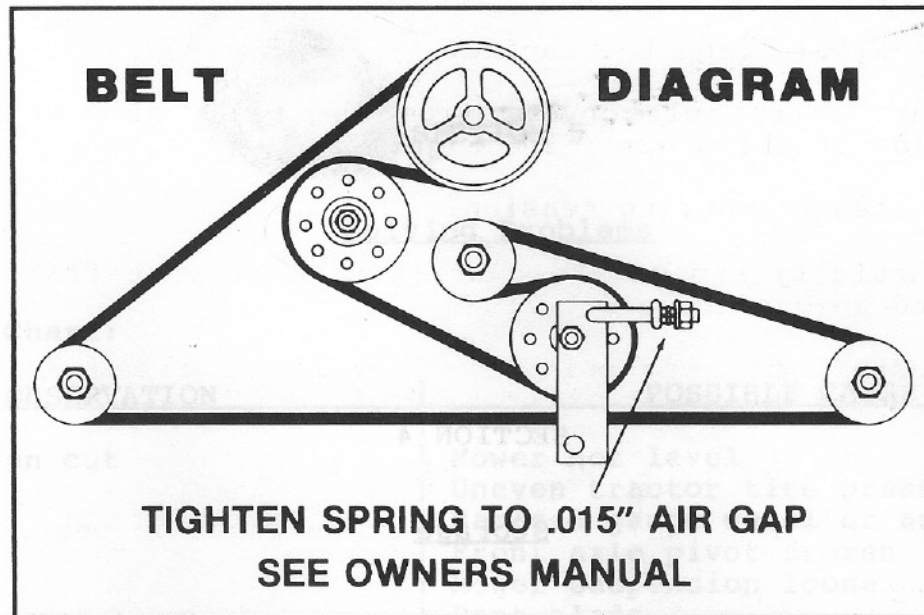
 **WARNING:** Stop the engine.

2. Remove the belt covers from the right side and the left side of the mower. See Figure 2.
3. Loosen the spring tension.
4. Partially remove the gear housing support from the mower and remove the old belt.
5. Install the new belt as shown in Diagram 1 and the belt diagram decal on the mower deck.
6. Install the gear housing support.
7. Adjust the tension of the belt as shown in Section 3.4.
8. Install the belt covers.

3.6 Mower Level Adjustment

To check or adjust the level of the mower deck, follow the instructions in this section.

1. Put the equipment on a flat surface.
2. Stop the engine.
3. Make sure all the height adjustments are in the same cutting height position.
4. Measure the distance from the top edge of the mower deck to the floor at the height adjustment. See Figure 1 for the location of the height adjustment bracket.
5. Measure the distance from the top edge of the mower deck to the floor at the lift rods. See Figure 1 for the location of the lift rods.
6. If the distance is not the same, loosen the top jam nut on the lift rod.
7. Turn the bottom jam nut on each lift rod until the measurement from the top edge of the mower deck to the floor is the same as the measurement at the height adjustment bracket. Tighten the top jam nut against the bottom jam nut.
8. Repeat steps 4 through 7 until all the measurements are the same.



84020

DIAGRAM 1

3.7 Mower Removal and Installation:

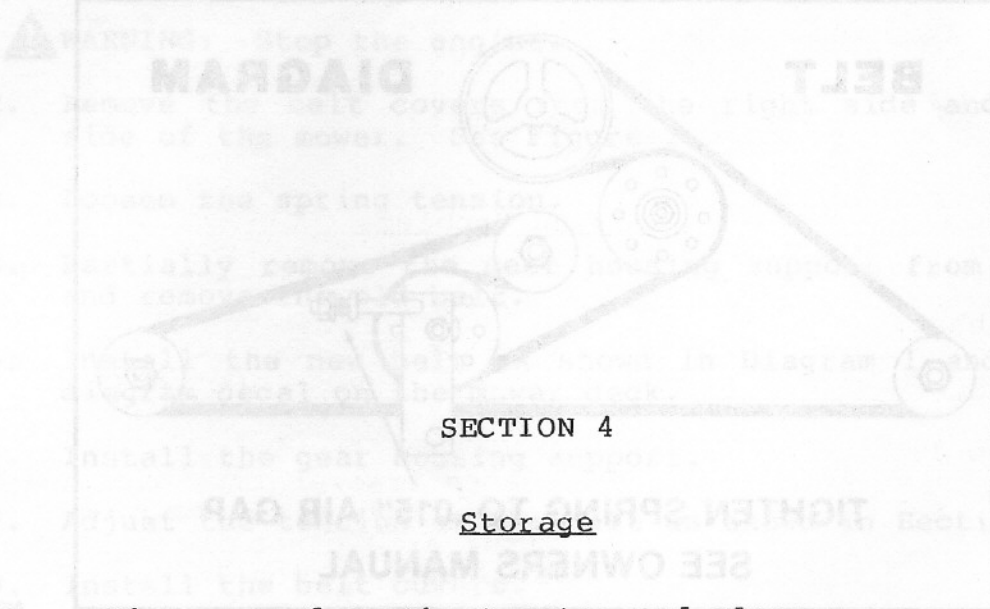
To remove the mower from the tractor:

1. Put the kick stand down on the tractor.
2. Remove the klik pins from the clevis pins in the PTO shaft guard. Remove the clevis pins and raise the PTO shaft guard.
3. Pull the locking collar on the universal joint toward the universal joint and pull the universal joint from the transmission PTO shaft of the tractor.
4. Remove the two 1/2-13 hex nuts and 1/2-13x1.00 hex bolts attaching the frame weldment to the front of the tractor.
5. Slide the mower off the tractor.

To install the mower on the tractor, reverse the steps above.

Mower Belt Replacement

1. Stop the tractor & set parking brake.



SECTION 4

Storage

- 4.1 Remove the mower from the tractor and clean.
- 4.2 Inspect for damage, wear, loose or missing hardware. Repair as needed.
- 4.3 Clean mower. Do not use harsh or abrasive cleaners on any painted surface.
- 4.4 Sharpen and balance the blades.
- 4.5 Lubricate.
- 4.6 Paint any bare areas.
- 4.7 Place in a dry area.

SECTION 5

Solving Problems

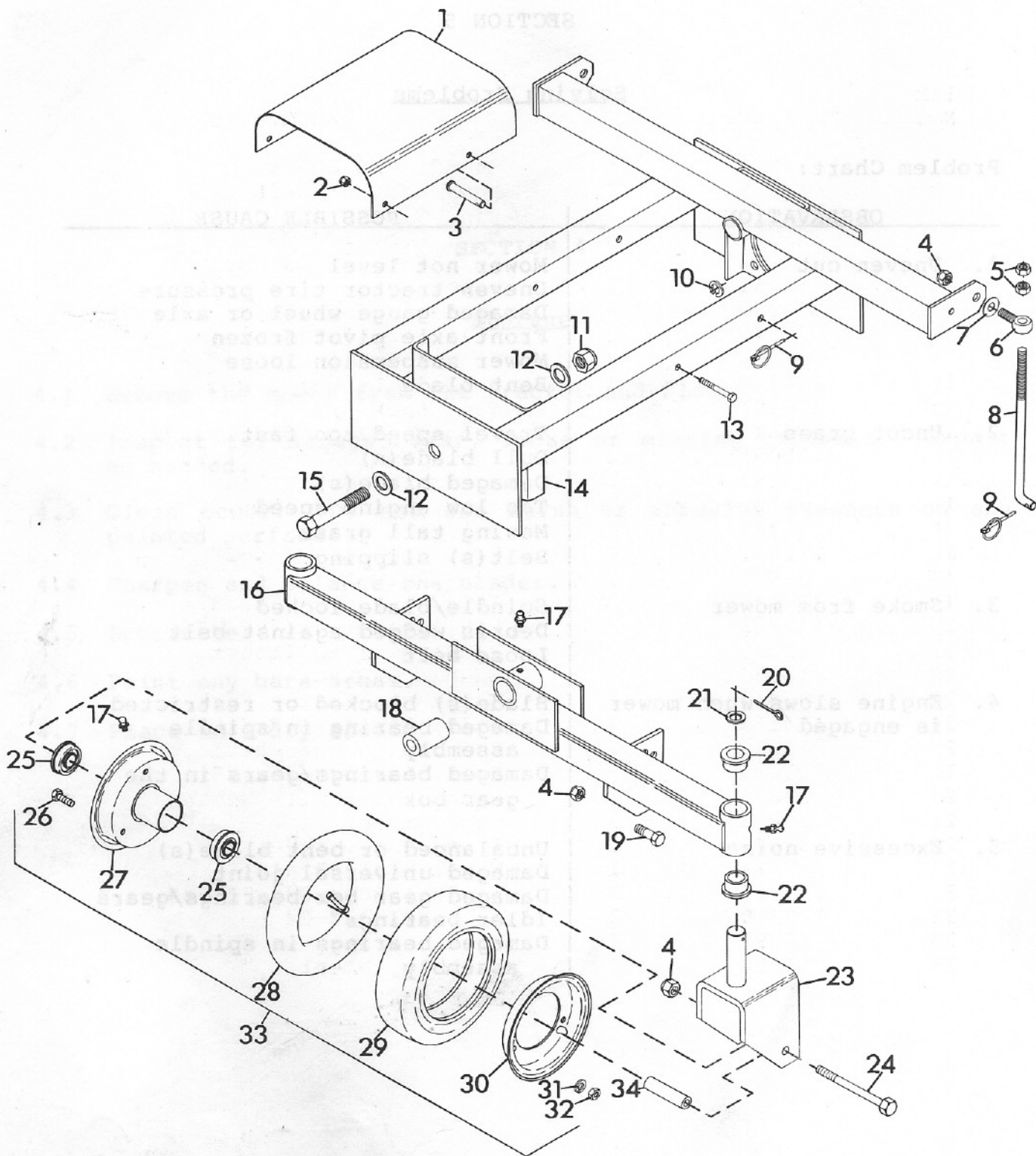
Problem Chart:

| OBSERVATION | POSSIBLE CAUSE |
|---------------------------------------|---|
| 1. Uneven cut | Mower not level Uneven tractor tire pressure Damaged gauge wheel or axle Front axle pivot frozen Mower suspension loose Bent blade |
| 2. Uncut grass | Travel speed too fast Dull blade(s) Damaged blade(s) Too low engine speed Mowing tall grass Belt(s) slipping |
| 3. Smoke from mower | Spindle/blade locked Debris wedged against belt Loose belt |
| 4. Engine slows when mower is engaged | Blade(s) blocked or restricted Damaged bearing in spindle assembly Damaged bearings/gears in the gear box |
| 5. Excessive noise | Unbalanced or bent blade(s) Damaged universal joint Damaged gear box bearings/gears Idler bearings Damaged bearings in spindle assembly |

SECTION 6

Illustrated Parts and Parts List

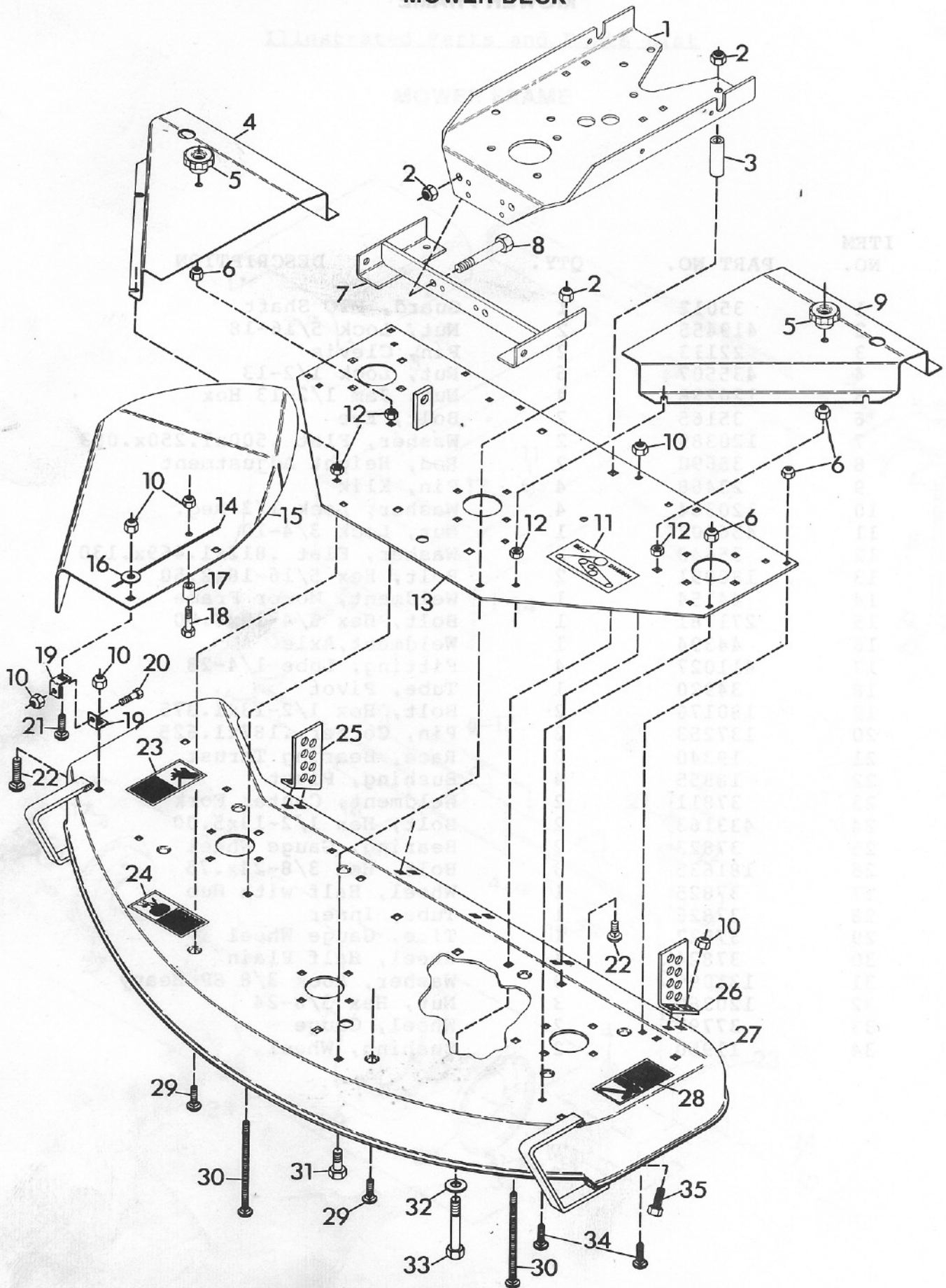
MOWER FRAME



MOWER FRAME

| ITEM NO. | PART NO. | QTY. | DESCRIPTION |
|----------|----------|------|------------------------------|
| 1 | 35012 | 1 | Guard, PTO Shaft |
| 2 | 419455 | 2 | Nut, Lock 5/16-18 |
| 3 | 22113 | 2 | Pin, Clevis |
| 4 | 435507 | 6 | Nut, Lock 1/2-13 |
| 5 | 120238 | 4 | Nut, Jam 1/2-13 Hex |
| 6 | 35165 | 2 | Bolt, Eye |
| 7 | 120389 | 2 | Washer, Flat .500x1.250x.083 |
| 8 | 35690 | 2 | Rod, Height Adjustment |
| 9 | 23468 | 4 | Pin, Klik |
| 10 | 120384 | 4 | Washer, Lock 1/2 Reg. |
| 11 | 456007 | 1 | Nut, Lock 3/4-10 |
| 12 | 35640 | 2 | Washer, Flat .812x1.469x.130 |
| 13 | 180091 | 2 | Bolt, Hex 5/16-18x2.50 |
| 14 | 44154 | 1 | Weldment, Mower Frame |
| 15 | 271781 | 1 | Bolt, Hex 3/4-10x4.50 |
| 16 | 44394 | 1 | Weldment, Axle |
| 17 | 411027 | 4 | Fitting, Lube 1/4-28 |
| 18 | 34920 | 1 | Tube, Pivot |
| 19 | 180176 | 2 | Bolt, Hex 1/2-13x1.375 |
| 20 | 137253 | 2 | Pin, Cotter .187x1.625 |
| 21 | 19340 | 2 | Race, Bearing Thrust |
| 22 | 18355 | 4 | Bushing, Pivot |
| 23 | 37811 | 2 | Weldment, Caster Fork |
| 24 | 433163 | 2 | Bolt, Hex 1/2-13x5.00 |
| 25 | 37823 | 2 | Bearing, Gauge Wheel |
| 26 | 181635 | 3 | Bolt, Hex 3/8-24x.75 |
| 27 | 37825 | 1 | Wheel, Half with Hub |
| 28 | 37826 | 1 | Tube, Inner |
| 29 | 37827 | 1 | Tire, Gauge Wheel |
| 30 | 37824 | 1 | Wheel, Half Plain |
| 31 | 131099 | 3 | Washer, Lock 3/8 SP Heavy |
| 32 | 120369 | 3 | Nut, Hex 3/8-24 |
| 33 | 37797 | 2 | Wheel, Gauge |
| 34 | 11950 | 2 | Bushing, Wheel |

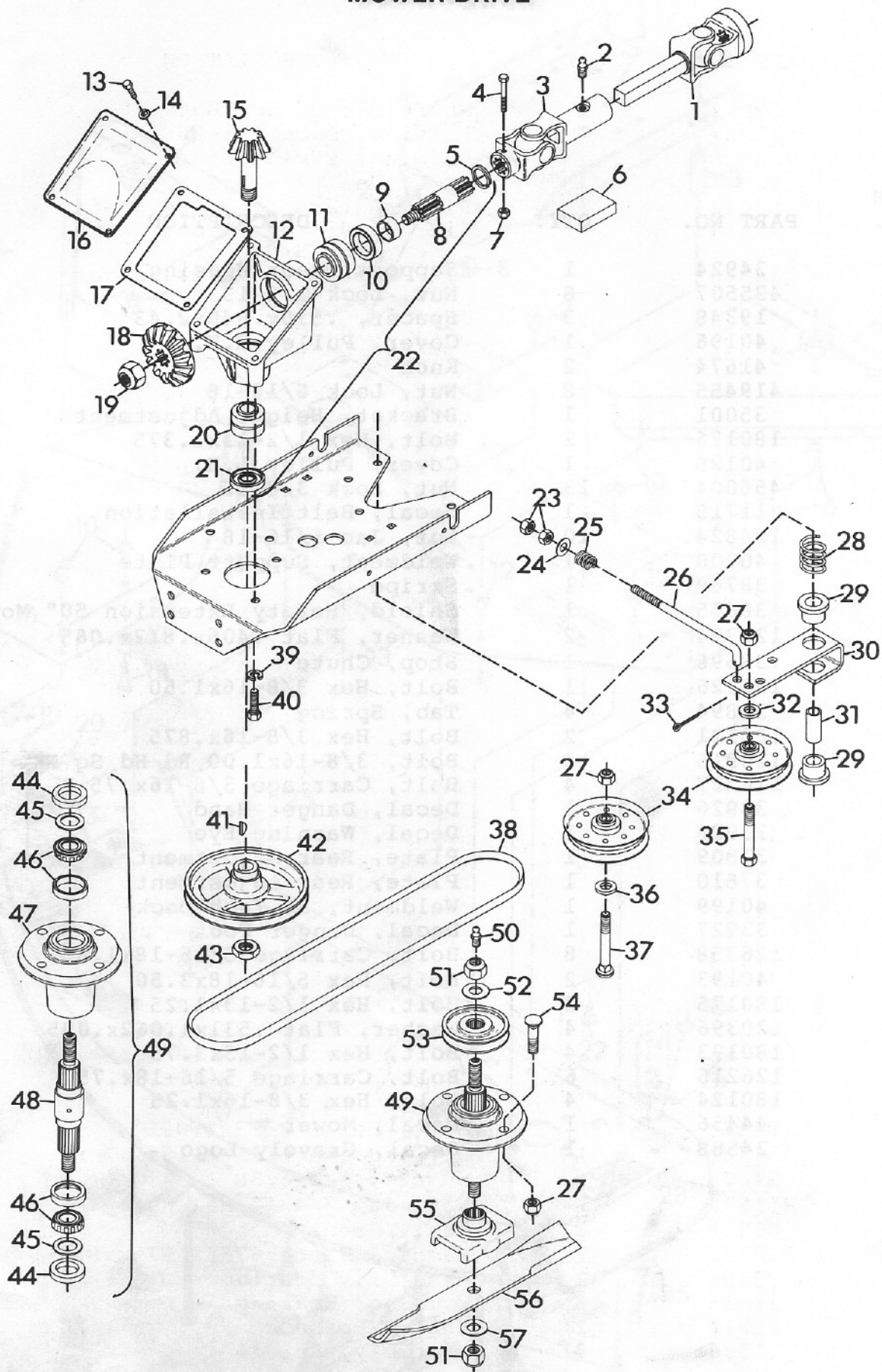
MOWER DECK



MOWER DECK

| ITEM NO. | PART NO. | QTY. | DESCRIPTION |
|----------|----------|------|------------------------------------|
| 1 | 34924 | 1 | Support, Gear Housing |
| 2 | 435507 | 8 | Nut, Lock 1/2-13 |
| 3 | 19348 | 3 | Spacer, .510x.840x2.43 |
| 4 | 40196 | 1 | Cover, Pulley R.H. |
| 5 | 41674 | 2 | Knob |
| 6 | 419455 | 8 | Nut, Lock 5/16-18 |
| 7 | 35001 | 1 | Bracket, Height Adjustment |
| 8 | 180176 | 2 | Bolt, Hex 1/2-13x1.375 |
| 9 | 40195 | 1 | Cover, Pulley L.H. |
| 10 | 456004 | 13 | Nut, Lock 3/8-16 |
| 11 | 11715 | 1 | Decal, Belt Installation |
| 12 | 124824 | 10 | Nut, Jam 5/16-18 |
| 13 | 40200 | 1 | Weldment, Support Plate |
| 14 | 38769 | 1 | Stripe |
| 15 | 38675 | 1 | Shield, Safety Extension 50" Mower |
| 16 | 120394 | 2 | Washer, Flat .406x.812x.065 |
| 17 | 38696 | 1 | Stop, Chute |
| 18 | 180126 | 1 | Bolt, Hex 3/8-16x1.50 |
| 19 | 34894 | 4 | Tab, Spring |
| 20 | 180121 | 2 | Bolt, Hex 3/8-16x.875 |
| 21 | 120915 | 2 | Bolt, 3/8-16x1.00 Rd Hd Sq Nk |
| 22 | 126227 | 4 | Bolt, Carriage 3/8-16x.75 |
| 23 | 33926 | 1 | Decal, Danger Hand |
| 24 | 33928 | 1 | Decal, Warning Eye |
| 25 | 37809 | 1 | Plate, Rear Adjustment |
| 26 | 37810 | 1 | Plate, Rear Adjustment |
| 27 | 40199 | 1 | Weldment, 50 Inch Deck |
| 28 | 33927 | 1 | Decal, Danger Foot |
| 29 | 126358 | 8 | Bolt, Carriage 5/16-18x1.00 |
| 30 | 40193 | 2 | Bolt, Hex 5/16-18x3.50 |
| 31 | 180175 | 2 | Bolt, Hex 1/2-13x1.25 |
| 32 | 120396 | 4 | Washer, Flat .531x1.062x.095 |
| 33 | 180193 | 4 | Bolt, Hex 1/2-13x3.75 |
| 34 | 126216 | 6 | Bolt, Carriage 5/16-18x.75 |
| 35 | 180124 | 4 | Bolt, Hex 3/8-16x1.25 |
| NS | 44456 | 1 | Decal, Mower |
| NS | 24588 | 1 | Decal, Gravely Logo |

MOWER DRIVE



MOWER DRIVE

| ITEM NO. | PART NO. | QTY. | DESCRIPTION |
|----------|----------|------|--|
| 1 | 19074 | 1 | Shaft, Prop. Sq. Bar |
| 2 | 411027 | 1 | Fitting, Lube 1/4-28 |
| 3 | 13518 | 1 | U-Joint, Female End |
| 4 | 180044 | 1 | Bolt, Hex 1/4-20x2 |
| 5 | 14642 | 1 | Ring, Retaining 1.000 Shaft |
| 6 | 12134 | 1 | Kit, Repair Universal Joint Rockwell Std. |
| | 24560 | 1 | Kit, Repair Universal Joint Neapco 1605X |
| 7 | 419454 | 1 | Nut, Lock 1/4-20 |
| 8 | 31412 | 1 | Shaft, Drive |
| 9 | 14641 | 1 | Spacer |
| 10 | 14646 | 1 | Seal, Oil 1.25x1.987x.250 |
| 11 | 14640 | 1 | Assembly, Bearing 1.000x1.980x1.243 |
| 12 | 14636 | 1 | Casting, Gear Box |
| 13 | 180016 | 4 | Bolt, Hex 1/4-20x.50 |
| 14 | 120380 | 4 | Washer, Lock 1/4 |
| 15 | 19608 | 1 | Shaft, Gear Pinion |
| 16 | 10982 | 1 | Cover, Gear Housing |
| 17 | 11231 | 1 | Gasket, Gear Housing |
| 18 | 19607 | 1 | Gear, Bevel |
| 19 | 456007 | 1 | Nut, Lock 3/4-10 |
| 20 | 14644 | 1 | Assembly, Bearing .750x1.781x1.499 |
| 21 | 14645 | 1 | Seal, Oil 1.250x1.686x.313 |
| 22 | 31410 | 1 | Assembly, Drive 50" Mower |
| 23 | 120369 | 2 | Nut, Hex 3/8-24 |
| 24 | 120394 | 1 | Washer, Flat .406x.812x.065 |
| 25 | 11779 | 1 | Spring, Comp. Type 1x.78x338 lb/in |
| 26 | 21111 | 1 | Rod, Idler |
| 27 | 456004 | 14 | Nut, Lock 3/8-16 |
| 28 | 20444 | 1 | Spring, Comp. |
| 29 | 10174 | 2 | Bushing, Nylon .760x1.00x.600 |
| 30 | 34120 | 1 | Arm, Idler Pivot |
| 31 | 34119 | 1 | Spacer |
| 32 | 14672 | 1 | Spacer, Idler .406x.750x.188 |
| 33 | 121224 | 1 | Pin, Cotter 3/32x1.00 |
| 34 | 21060 | 2 | Sheave, Idler |
| 35 | 180130 | 1 | Bolt, Hex 3/8-16x2.00 |
| 36 | 120388 | 1 | Washer, Flat .438x1.000x.083 |
| 37 | 126416 | 1 | Bolt, 3/8-16x1.75 Rd Hd Sq Nk |
| 38 | 11216 | 1 | Belt, V .500x.312x126.3 |
| 39 | 120384 | 3 | Washer, Lock 1/2 |
| 40 | 180173 | 3 | Bolt, Hex 1/2-13x1.00 |
| 41 | 431787 | 1 | Key, Woodruff .188x.625 Hard |
| 42 | 14660 | 1 | Sheave, 1/2x6.50 |
| 43 | 451539 | 1 | Nut, Jam 3/4-10 Hex Heavy |
| 44 | 21211 | 2 | Seal, Steel |
| 45 | 20743 | 2 | Washer, Flat .975x1.970x.030 |
| 46 | 38199 | 2 | Assembly, Bearing |
| 47 | 21215 | 1 | Housing, Bearing |
| 48 | 21216 | 1 | Shaft, Spindle |
| 49 | 21306 | 3 | Assembly, Spindle |

MOWER DRIVE

| ITEM NO. | PART NO. | QTY. | DESCRIPTION |
|----------|----------|------|--|
| 50 | 411010 | 2 | Fitting, Lube 1/8 (Left and Right Spindle) |
| | 21214 | 1 | Fitting, Lube .125 Ext. (Center Spindle) |
| 51 | 418692 | 6 | Nut, Lock 5/8-11 |
| 52 | 33845 | 3 | Washer, Flat .687x1.312x.122/.146 |
| 53 | 20065 | 3 | Sheave, Spindle |
| 54 | 126402 | 12 | Bolt, 3/8-16x1.25 Rd Hd Sq Nk |
| 55 | 23026 | 3 | Cradle, Blade |
| 56 | 11234 | 3 | Blade |
| 57 | 131016 | 3 | Washer, Flat .656x1.312x.095 |

SECTION 7

Specifications

| | |
|---------------|--|
| Weight: | 265 lbs. (120.2 kg) |
| Width: | 62 in. (1570mm) Chute Down 53.1 in. (1349mm) Chute Up |
| Height: | 18.0 in. (457mm) |
| Length: | 32 in. (813mm) |
| Width of Cut: | 50 in. (1270mm) |
| Tires: Size | 2.80/2.50-4 |
| Pressure | 40 PSI (276 kN/m) |

Heights of Cut:

| <u>Position</u> | <u>Height of Cut</u> |
|-----------------|----------------------|
| 1 | 1.5 inches (38.1mm) |
| 2 | 2.0 inches (50.8mm) |
| 3 | 2.5 inches (63.5mm) |
| 4 | 3.0 inches (76.2mm) |
| 5 | 3.5 inches (88.9mm) |
| 6 | 4.0 inches (101.6mm) |
| 7 | 4.5 inches (114.3mm) |

Number of Spindles/Blades: 3



SECTION 8

Set-Up Instructions

- 8.1 Remove the mower from the shipping container.
- 8.2 Put the wheel bushings in the wheels. Place the wheel assemblies in the caster forks and retain each with a 1/2-13x5.00 hex bolt and 1/2-13 lock nut.
- 8.3 Position the mower frame weldment in front of the tractor and align the holes in the mounting plate of the frame weldment with the studs in the tractor quick hitch casting. Fasten the frame weldment to the front of the tractor using the four 1/2 lock washers from the mower hardware bag and the two 1/2-13 hex nuts and 1/2-13x1.00 hex bolts from the tractor hardware bag.
- 8.4 Get assistance to position the mower mount frame over the mower. Raise the front of the mower and install the bolts in the front height adjustment brackets. See Figures 1 and 2.
- 8.5 Raise the rear of the mower. Insert the lift rods into the rear adjustment plates. Install the klik pins in the lift rods in the rear adjustment plates. See Section 3.3 to adjust the height of cut.
- 8.6 The length of the PTO shaft may be too long; cut to the dimension shown in Diagram 2. Put a film of grease on the square bar of the PTO shaft and slide the shaft into the tube of the universal joint (female) assembly.
- 8.7 Put a film of grease on the transmission PTO shaft.
- 8.8 Pull the locking collar on the universal joint toward the universal joint and hold it. Slide the locking collar halfway on the PTO shaft and release the locking collar. Push the locking collar on the transmission PTO shaft until it locks in position.
- 8.9 Lower the PTO shaft guard. Install the clevis pins in the PTO shaft guard. Install the klik pins in the clevis pins.

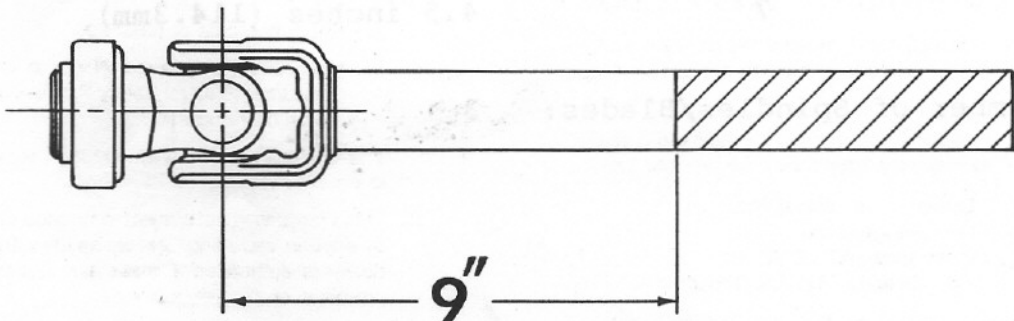


DIAGRAM 2

SECTION 9

LIMITED FIVE-YEAR WARRANTY

1. This Limited Five-Year Warranty is issued by Gravely International, Inc., only to the original purchaser. If Gravely equipment is leased by Gravely, this Warranty shall extend also to the original lessee as if such lessee were the original purchaser.
2. Gravely warrants that all new equipment manufactured by Gravely ("Gravely Products") shall be free of defects in material and workmanship for the term described in paragraph 4, below. Except as hereinafter provided, this Warranty does not cover any engine, tires or battery forming a part of the Gravely Product. Engine and tires are covered by and subject to separate warranties of the manufacturers thereof.
3. In the event that any Gravely Product warranted hereunder shall be defective or fail to conform with this Warranty, Gravely shall, subject to the provisions hereof, pay for, or provide labor and materials for, the repair or replacement of such defective Gravely Product.
4. This Warranty is for five years (60 months) from purchase date for Gravely Products used exclusively for personal, family or household purposes, and two years (24 months) for products used for other purposes (commercial use), excluding rental firms. Gravely products used for rental purposes will be warranted for 90 days. Repair of Gravely Products after the second year (24 months from date of purchase) shall be subject to a \$50.00 deductible for each repair. (After two years, Gravely agrees to repair or replace defective Gravely Products used exclusively for personal, family or household purposes only to the extent that the cost of such warranty covered repair or replacement exceeds \$50.00.)

Batteries are warranted by Gravely for a period of twelve (12) months only. If a battery shall fail within twelve (12) months of purchase, the replacement cost thereof shall be prorated over a twelve-month term based upon the number of months since purchase.
5. To obtain Warranty Service on a Gravely Product (including any battery or other component not manufactured by Gravely), use this procedure:
 - a. Notify the Gravely dealer from whom you purchased the equipment.
 - b. If you have moved and it is not convenient to notify the selling dealer, notify the nearest Gravely dealer. You should supply this dealer with a copy of the bill of sale as proof of the date of purchase.
 - c. Make arrangements to have the equipment delivered to the dealer (refer to paragraph 6 a., below).
 - d. If you have any questions concerning the Gravely Limited Warranty, they should be referred to:

Gravely International, Inc.
One Gravely Lane
Clemmons, NC 27012
Attn: Customer Service Department
 - e. Warranty service on Gravely Products must be performed by an authorized Gravely dealer.
6. This Warranty does not cover the following:
 - a. Transportation to the Gravely dealership. (If the Gravely dealer provides transportation, he will charge for such service.)
 - b. Normal maintenance services and normal replacement of items such as spark plugs, belts, oil, oil filters, air filters, and mower, plow or cultivator blades, gauge wheels, skids and other wear items.
 - c. Any Gravely Product which has been altered or modified in any way.
 - d. Any repair or replacement occasioned by customer neglect or lack of proper maintenance. (The purchaser is responsible for making sure that Gravely Products are operated and serviced as directed in the applicable manual or service instruction. Incorrect use or maintenance will void this Warranty.)
 - e. Any repair occasioned by the use of any attachment not approved by Gravely. (The use of any such unapproved attachment will void this Warranty.)
7. GRAVELY MAKES NO OTHER EXPRESS OR IMPLIED WARRANTIES, OR WARRANTIES AS TO THE MERCHANTABILITY OR FITNESS FOR A PARTICULAR PURPOSE. ALL WARRANTIES ARE LIMITED IN DURATION TO THE TERMS SET OUT IN PARAGRAPH 4, ABOVE. GRAVELY SHALL HAVE NO LIABILITY FOR INCIDENTAL OR CONSEQUENTIAL DAMAGES RESULTING FROM THE BREACH OF ANY WARRANTY, INCLUDING, BUT NOT LIMITED TO, LIABILITY FOR INCONVENIENCE, RENTAL OR PURCHASE OF REPLACEMENT EQUIPMENT, OR FOR LOSS OF PROFITS OR OTHER COMMERCIAL LOSS.
8. Some states do not allow limitations on how long an implied warranty lasts, so the above statement may not apply to you. Some states do not allow the exclusion or limitation of incidental or consequential damages, so the above limitation or exclusion may not apply to you.
9. This Warranty gives you specific legal rights, and you may have other rights which vary from state to state.
10. A Gravely product registration card is supplied with each Gravely Product. Please complete the card and return it to Gravely at the address listed on the card. The equipment registration card will be used by Gravely for:
 - a. Recording date of purchase.
 - b. Notification of owners in compliance with the Consumer Product Safety Act, should any notification be necessary.The return of such card is necessary for your warranty to be effective.
11. This Warranty is not subject to change or modification by anyone, including Gravely dealers and no Gravely dealer is authorized to make any representations or promises on Gravely's behalf.



One Gravely Lane, Clemmons, NC 27012