

1 GENERAL

1.1 Read this manual carefully and understand how to operate and maintain the equipment before attempting to use it. The 48" Snowdozer has been designed and built to the traditionally high standards for which Gravelly is famous. With proper operation and maintenance the dozer will perform for many uses to come. Knowing how to use The Gravelly Tractor and Snowdozer is the largest part of getting the job done.

1.2 This manual includes parts list, set up, safety, operator and maintenance instructions. All references to right, left, front, rear are made from the operator's position at the handles of The Gravelly. Item numbers used herein are in reference to fig 1, Illustrated Parts List. Contact The Gravelly Dealer for further information.

1.3 To continue its program of quality and design improvement, the manufacturer reserves the right to change specifications, design or prices without notice and without incurring obligation.

1.4 SPECIFICATIONS

General purpose

snow removal, grading, landscaping, dozing

Maintenance intervals

8 use hours or after each use

Lubrication

light oil on all pivot points

Recommended tractors

all Convertible Gravellys

Recommended accessories for blade

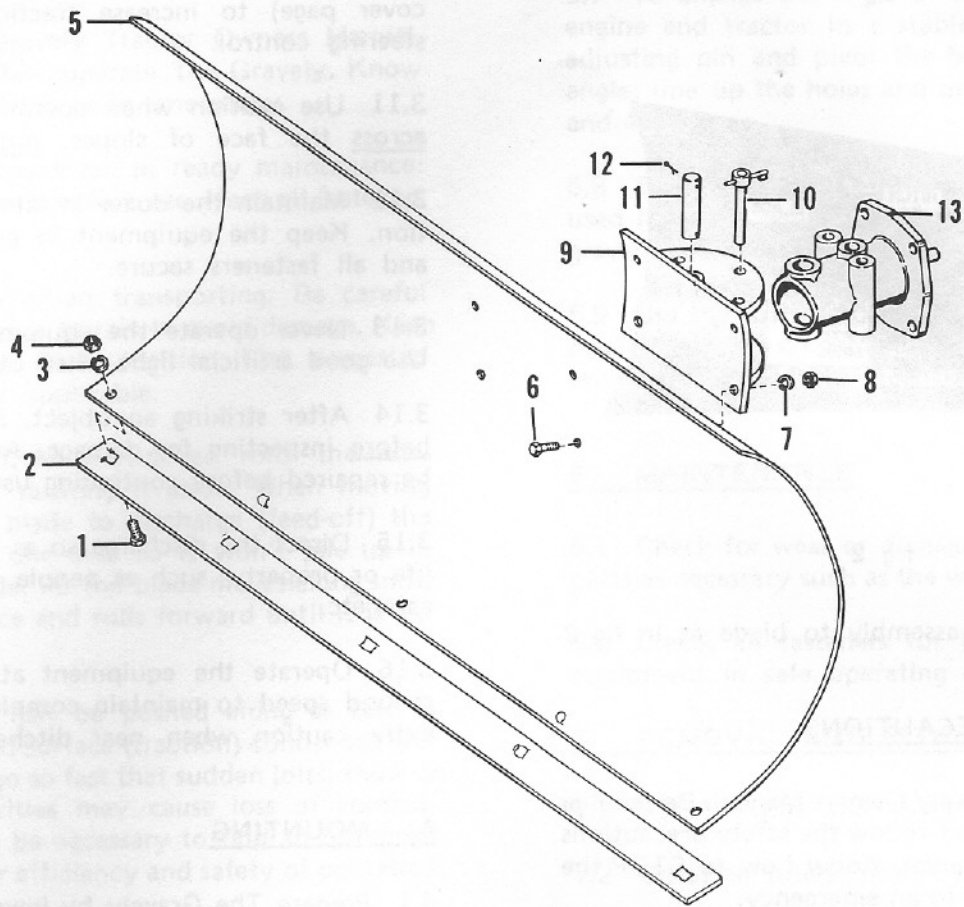
Counter Weight for 10 hp and greater

Skids

Recommended accessories for tractor

Dual Wheels

Tire Chains



<u>ITEM NO.</u>	<u>PART NO.</u>	<u>DESCRIPTION</u>
1	126358	Bolt, 5/16-18 x 1 Rd Hd Sq Nk
2	12503P1	Strip, Wearing
3	138538	Washer, Lock 5/16 Int Tooth
4	120376	Nut, Hex 5/16-18
5	12502P1	Blade, Snow Plow
6	180126	Bolt, Hex 3/8-16 x 1-1/2
7	138542	Washer, Lock 3/8 Int Tooth
8	120377	Nut, Hex 3/8-16
9	10374A1	Bracket, Swivel
10	10375A1	Pin, Adjusting
11	6549P1	Axle, Caster
12	103409	Pin, Cotter 3/16 x 1-1/2
13	12522P1	Casting, Swivel

fig 1 ILLUSTRATED PARTS LIST

ASSEMBLY

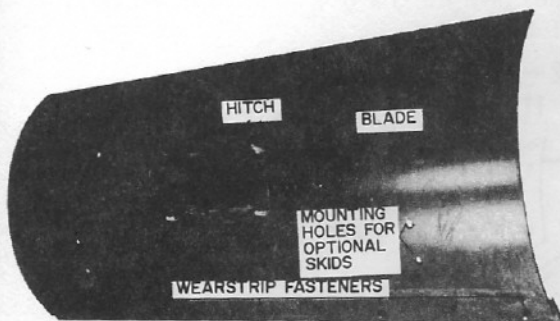


fig 2

2.1 Fasten hitch assembly to blade as in fig 2.

3 SAFETY PRECAUTIONS

3.1 Read The Gravelly Owners Manual. Be familiar with all controls and follow the safety precautions outlined in the manual. Know how to STOP the equipment quickly in an emergency.

3.2 Do not wear loose fitting clothing or accessories that might get caught in moving parts or on the controls. Keep hands, feet, hair, clothing, etc., away from moving parts.

3.3 Keep bystanders and pets removed from the work area, and a safe distance away.

3.4 Do not allow children to operate the equipment, nor allow adults to operate it without their having knowledge of safe operating practices.

3.5 Operate the dozer from the proper operator's position at the handles of The Gravelly.

3.6 Watch for solid, unyielding obstructions that will not be moved by the blade; also, be alert for holes and other hidden hazards.

3.7 Keep the PTO in the OUT position.

3.8 Exercise extra caution to avoid slipping or falling, especially when operating in reverse.

3.9 Use footwear which will improve footing on loose or slippery surfaces.

3.10 Use recommended accessories (listed on cover page) to increase traction, stability and steering control.

3.11 Use caution when operating on slopes; go across the face of slopes, not up and down.

3.12 Maintain the dozer in safe operating condition. Keep the equipment in good maintenance and all fasteners secure.

3.13 Never operate the equipment in darkness. Use good artificial light when operating at night.

3.14 After striking an object, STOP the engine before inspecting for damage. Any damage must be repaired before continuing use.

3.15 Direct the discharge so as not to endanger life or property; such as people, pets, structures, cars, etc.

3.16 Operate the equipment at a slow enough ground speed to maintain complete control. Use extra caution when near ditches or roadways.

4 MOUNTING

4.1 Prepare The Gravelly by lowering the tractor stand and removing any front or rear mounted equipment. Remove the quick hitch if so equipped.

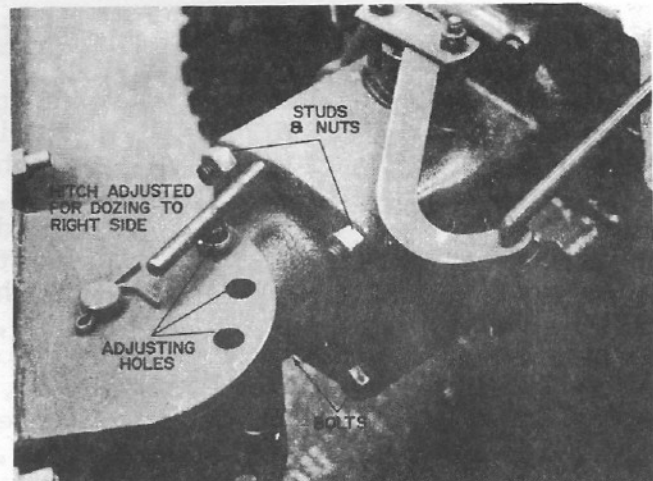


fig 3

4.2 Mount blade with hitch as in fig 3 using the two nuts on the studs and two bolts below. Tighten securely.

5 OPERATION

5.1 Read The Gravelly Tractor Owners Manual. Know how to safely operate The Gravelly. Know how to STOP quickly in an emergency.

5.2 Have the snowdozer in ready maintenance: Perform adjustments before use. Keep all fasteners secure.

5.3 Use caution when transporting. Be careful when crossing dips in terrain to avoid damage. Keep the PTO in the OUT position. Use suggested accessories when applicable.

5.4 When angled, the Snowdozer "rolls" the snow rather than just pushing it aside. When moving snow, angle the blade to discharge (feed-off) the rolling snow to one side so it won't pile up in front of the blade. As the blade moves along snow moves up the face and rolls forward until it is fed off to the side.

5.5 The blade can be pushed along as fast as safety, power and surface (traction) conditions will permit. Do not go so fast that sudden jolts, snow or surface irregularities may cause loss of control. Some trials may be necessary to find an optimum ground-speed for efficiency and safety of operation.

5.6 When dozing snow from a gravel drive, keep the blade above the gravel by means of the skid accessory. On paved surfaces with many irregularities, adjust the skids to keep the leading edge above the pavement. When adjusted in this manner, the blade will not "trip" over low obstacles such as uneven expansion strips or broken, uneven pavement.

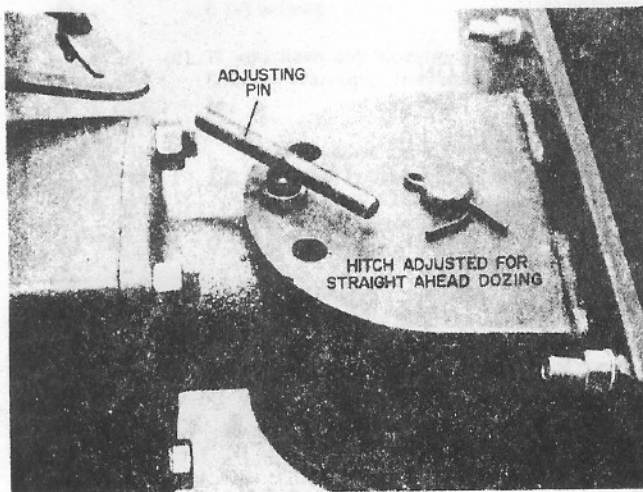


fig 4

5.7 To change the angle of the blade, STOP the engine and tractor in a stable position. Pull the adjusting pin and pivot the blade to the desired angle; line up the holes and drop-in the pin, fig 3 and 4.

5.8 The same principles of operation that are used for snow removal apply when spreading dirt, gravel, sand, back-filling, etc.

5.9 Use the tractor accessories listed on the cover page to increase control and safety of operation by improving traction and steering control.

6 MAINTENANCE

6.1 Check for wear or damage. Replace worn-out parts as necessary such as the wearstrip.

6.2 Check all fasteners for tightness. Keep the equipment in safe operating condition.

7 REMOVAL AND STORAGE

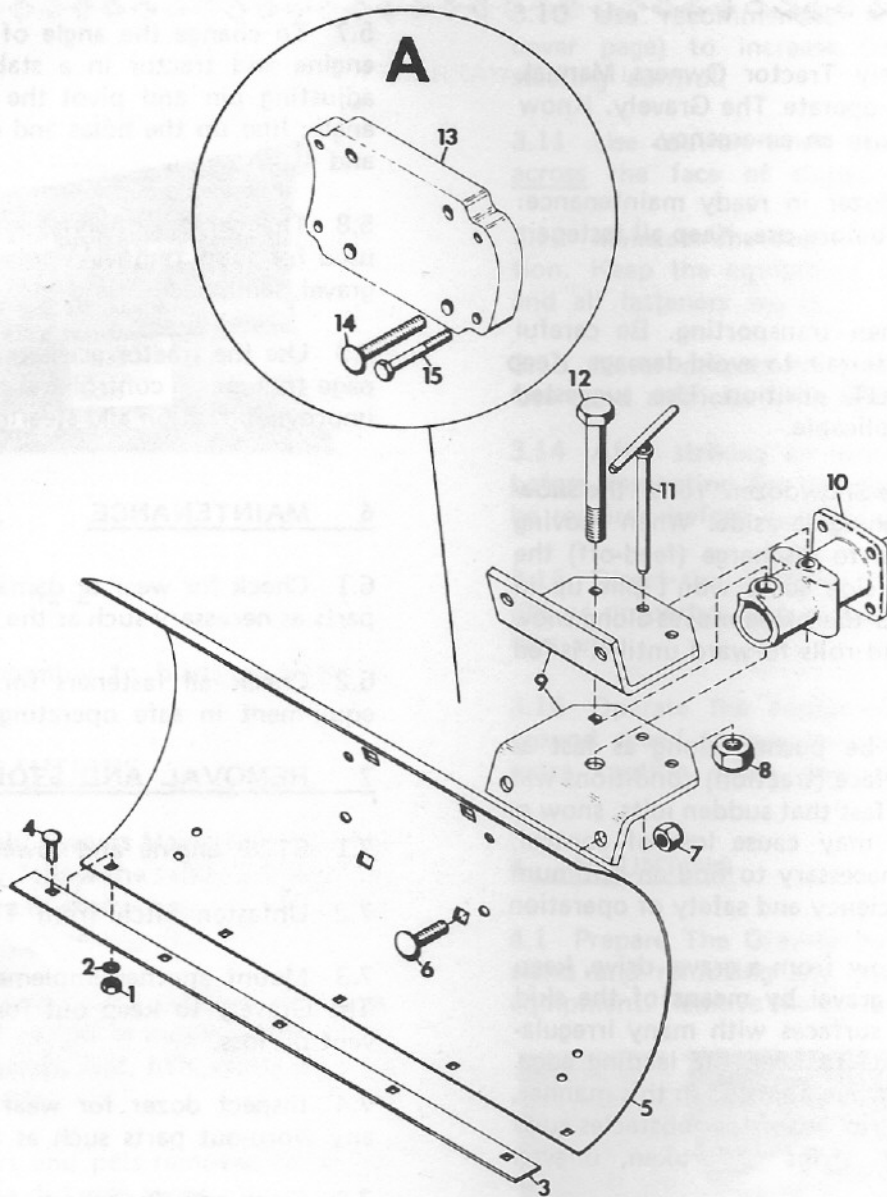
7.1 STOP engine and lower tractor stand.

7.2 Unfasten hitch from The Gravelly.

7.3 Mount another implement or cover plate to The Gravelly to keep out foreign matter and prevent oil loss.

7.4 Inspect dozer for wear or damage. Replace any worn-out parts such as the wearstrip.

7.5 Clean and dry snowdozer. Paint, grease or oil exposed metal that might rust. Oil all pivot surfaces.



<u>ITEM NO.</u>	<u>PART NO.</u>	<u>DESCRIPTION</u>
1.	120376	Nut, Hex; 5/16-18
2.	138538	Washer, Lock; 5/16 Internal Tooth
3.	12503P1	Strip, Wearing
4.	126358	Bolt, RD. HD. SQ. NK.; 5/16-18 x 1
5.	21464	Blade, Snow Plow
6.	435507	Bolt, RD. HD. SQ. NK.; 1/2-13 x 1 1/2
7.	120917	Nut, Lock; 1/2-13 Washer Insert
8.	456007	Nut, Lock; 3/4-10 Washer Insert
9.	21463	Plate, Swivel
10.	12522P1	Casting, Swivel
11.	10375P1	Pin, Adjusting
12.	429886	Bolt, Hex; 3/4-10 x 5 1/4
13.	21901	Weight, Blade
14.	120897	Bolt, RD. HD. SQ. NK.; 1/2-13 x 3
15.	180137	Bolt, Hex; 3/8-16 x 2 3/4

NOTE: Circle "A" is Optional in Kit Form

LIMITED WARRANTY

This Limited Warranty is issued by Clarke-Gravely Corporation, Gravely Division, and consists of the following terms:

1. Only the original purchaser of new Gravely equipment is covered by this Warranty.
2. This Warranty covers repair or replacement of parts manufactured by Gravely which are defective in material or workmanship. Gravely will pay for parts and labor only.
3. The Warranty starts the date of purchase and lasts for NINETY (90) DAYS for products used in commercial applications, and TWELVE (12) MONTHS for products used by the owner to maintain his personal residence. Commercial means any use other than to maintain the grounds around the personal residence of the owner of the product.
4. Some components of Gravely equipment are not covered by the Gravely Warranty. These components are covered by the original manufacturer's warranty, they are:
 - (a) Engines - Onan and Briggs & Stratton
 - (b) Tires - Goodyear, Goodrich & Carlisle
 - (c) 34" Mower Gear Box - Peerless
5. To obtain warranty service on Gravely equipment including components not manufactured by Gravely, use this procedure:
 - (a) Notify the Gravely dealer from whom you purchased the equipment.
 - (b) If you have moved and it is not convenient to notify the selling dealer, notify the nearest Gravely dealer. You should supply this dealer with a copy of the bill of sale as proof of the date of purchase.
 - (c) Make arrangements to have the equipment delivered to the dealer (refer to paragraph 6 (a) below).
 - (d) If you have any questions concerning the Gravely Warranty, they should be referred to:

Gravely Division
Clarke-Gravely Corporation
One Gravely Lane
Clemmons, North Carolina 27012
Attn: Manager of Customer Services

- (e) Warranty service on Gravely equipment must be performed by an authorized Gravely dealer or Gravely factory branch.

6. This Warranty does not cover the following:

- (a) Transportation between owner's home or place of business and the dealership. If the dealer provides the transportation of the equipment, he will charge the owner his usual rate for such service.
- (b) Normal maintenance services and normal replacement of items such as spark plugs, belts, oil, oil filters, air filters, and mower blades.

7. GRAVELY MAKES NO OTHER EXPRESS WARRANTIES. ANY IMPLIED WARRANTIES, INCLUDING WARRANTIES AS TO MERCHANTABILITY OR FITNESS FOR A PARTICULAR PURPOSE, ARE LIMITED IN DURATION TO THE PERIOD SET OUT IN PARAGRAPH 3 ABOVE. SOME STATES DO NOT ALLOW LIMITATIONS ON HOW LONG AN IMPLIED WARRANTY LASTS, SO THE ABOVE STATEMENT MAY NOT APPLY TO YOU.

8. GRAVELY SHALL HAVE NO RESPONSIBILITY FOR INCIDENTAL OR CONSEQUENTIAL DAMAGES RESULTING FROM THE BREACH OF ANY WARRANTY, INCLUDING, BUT NOT LIMITED TO, INCONVENIENCE, RENTAL OR PURCHASE OF REPLACEMENT EQUIPMENT, LOSS OF PROFITS OR COMMERCIAL LOSS. SOME STATES DO NOT ALLOW THE EXCLUSION OR LIMITATION OF INCIDENTAL OR CONSEQUENTIAL DAMAGES, SO THE ABOVE LIMITATION OR EXCLUSION MAY NOT APPLY TO YOU.

9. This Warranty gives you specific legal rights, and you may have other rights which vary from state to state.

10. A Gravely equipment registration card is supplied with each Gravely tractor or major attachment. Please complete the card and return it to Gravely at the address listed on the card. The equipment registration card will be used by Gravely for:

- (a) Recording date of purchase.
- (b) Notification of owners in compliance with the Consumer Product Safety Act, should any notification be necessary.

The return of registration card is not required in order to take advantage of this Warranty.

- II. This Warranty is not subject to change or modification by anyone, including Gravely dealers and no Gravely dealer is authorized to make any representations or promises on Gravely's behalf.

 **GRAVELY.**

One Gravely Lane
Clemmons, N. C. 27012