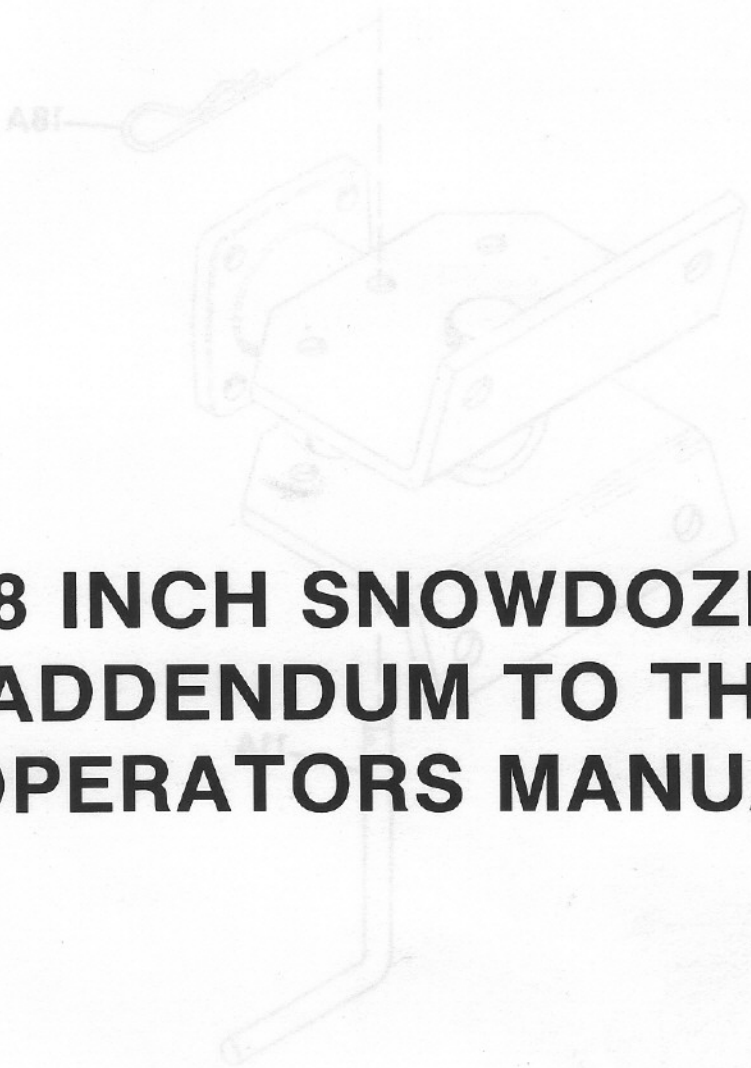




Refer to Section B - Defeat Item No. 11, Part No. 10375

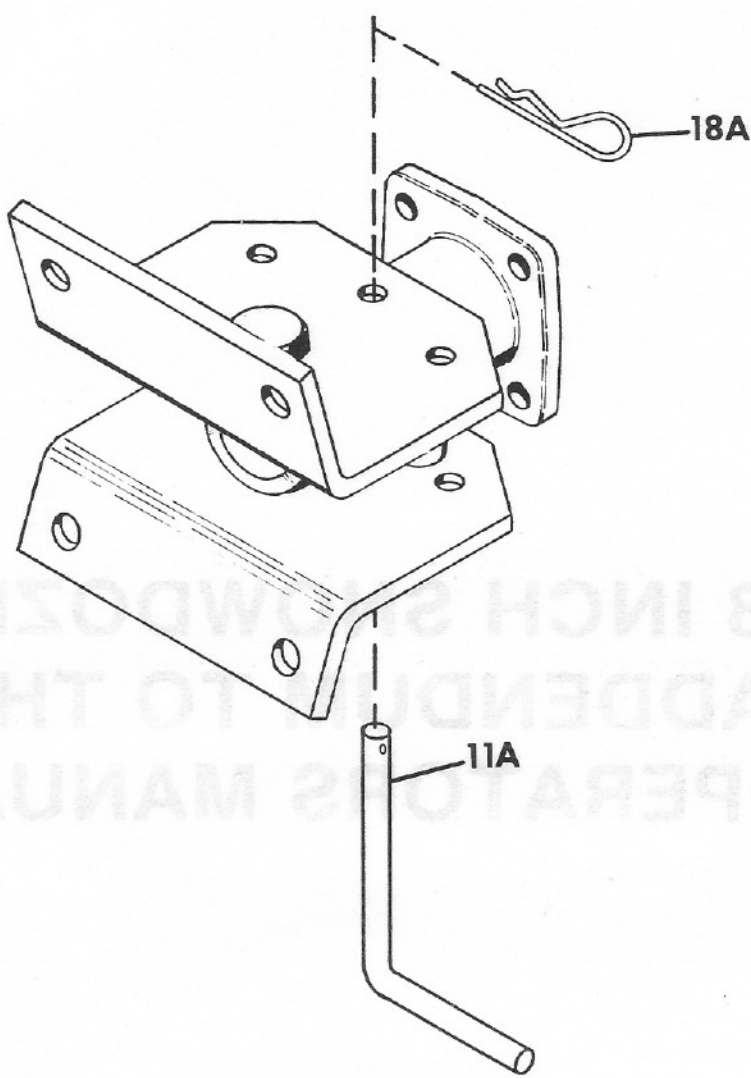


48 INCH SNOWDOZER ADDENDUM TO THE OPERATORS MANUAL

DESCRIPTION	QTY	PART NO.	ITEM NO.
Pin, Adjusting	1	38093	11A
Pin, Hair	1	10402	10A

GRAVELLY

Refer to Section 8. Delete Item No. 11, Part No. 10375, Adjustment Pin. Add Part Numbers 38093 and 10405 as shown below.



ITEM NO.	PART NO.	QTY.	DESCRIPTION
11A	38093	1	Pin, Adjusting
18A	10405	1	Pin, Hair