



Illustrated Parts and Parts List

44 GALLON CAN GRASS CATCHER

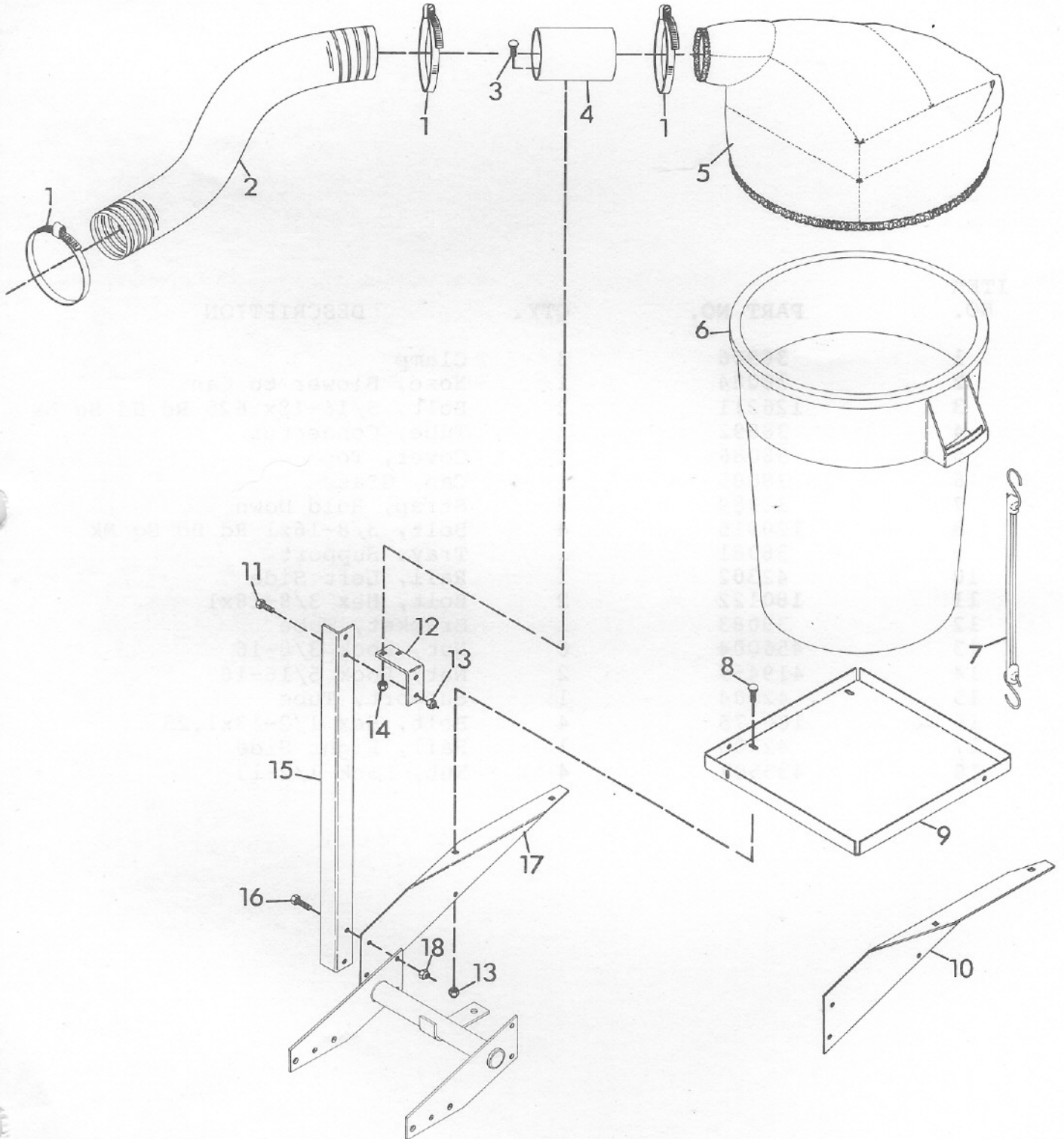
SECTION 1

Installation

- 1.1 Install the Grass Catcher Blower on the tractor.
- 1.2 Fasten the left side rail to the outside of the frame mounting plate with two 1/2-13x1.25 bolts and 1/2-13 lock nuts.
- 1.3 Fasten the right side rail and the tube support to the blower support frame weldment with two 1/2-13x1.25 bolts and 1/2-13 lock nuts. See the illustration. Fasten the support tray to the rails with the 3/8-16x1 carriage bolts and 3/8-16 lock nuts.
- 1.4 Fasten the tube bracket to the tube support with 3/8-16x1 bolts and 3/8-16 lock nuts.
- 1.5 Fasten the connector tube to the tube bracket with 5/16-18x5/8 carriage bolts and 5/16-18 lock nuts with bolt head on inside of tube.
- 1.6 Set grass can in the support tray and secure with two hold down straps.
- 1.7 Put the top cover on the grass can and secure inlet to the connector tube with a clamp.
- 1.8 Put a clamp on each end of the hose. Put one end of the hose on the connector tube and the other on the blower outlet. Tighten the clamps.

SECTION 2

Illustrated Parts and Parts List



ITEM NO.	PART NO.	QTY.	DESCRIPTION
1	36996	3	Clamp
2	38084	1	Hose, Blower to Can
3	126211	2	Bolt, 5/16-18x.625 Rd Hd Sq Nk
4	38092	1	Tube, Connector
5	38086	1	Cover, Top
6	38085	1	Can, Grass
7	38089	2	Strap, Hold Down
8	120915	4	Bolt, 3/8-16x1 Rd Hd Sq Nk
9	38081	1	Tray, Support
10	42302	1	Rail, Left Side
11	180122	2	Bolt, Hex 3/8-16x1
12	38083	1	Bracket, Tube
13	456004	6	Nut, Lock 3/8-16
14	419455	2	Nut, Lock 5/16-18
15	42304	1	Support, Tube
16	180175	4	Bolt, Hex 1/2-13x1.25
17	42303	1	Rail, Right Side
18	435507	4	Nut, Lock 1/2-13