



NOTE

Read this manual carefully and learn to operate and service your dozer blade before using it.

To keep the warranty, the dozer blade must be maintained and operated as directed in this manual.

All references to "left-side", "right-side", "front", and "back" are given from the operator's position.

Use the serial number to ensure prompt and correct service when ordering part, requesting service, or making inquiries.

42" DOZER BLADE OPERATORS MANUAL

DOZER BLADE SERIAL NUMBER _____



Look for this symbol to point out important safety precautions. It means -- ATTENTION! BECOME ALERT! YOUR SAFETY IS INVOLVED.

SECTION 1
NOTE

Read this manual carefully and learn to operate and service your dozer blade before using it.

To keep the warranty, the dozer blade must be maintained and operated as directed in this manual.

All references to "left-side", "right-side", "front", and "back" are given from the operator's position.

Use the serial number to ensure prompt and correct service when ordering part, requesting service, or making inquiries.

DOZER BLADE SERIAL NUMBER _____



Look for this symbol to point out important safety precautions. It means -- ATTENTION! BECOME ALERT! YOUR SAFETY IS INVOLVED.

NOTE

Read this manual carefully and learn to operate and service

CONTENTS

To keep the warranty, the dozer blade must be maintained and

1. INSTRUCTIONS FOR SAFE OPERATION

operated as directed in this manual.

2. ASSEMBLY AND INSTALLATION

All references to "left-side", "right-side", "front", and

3. SERVICE

"back" are given from the operator's position.

Use the serial number to ensure prompt and correct service

4. OPERATION

when ordering parts, requesting service, or making inquiries.

5. STORAGE

DOZER BLADE SERIAL NUMBER

6. ILLUSTRATED PARTS AND PARTS LIST

7. WARRANTY

Look for this symbol to point out important safety
precautions. It means -- ATTENTION! BECOME ALERT!
YOUR SAFETY IS INVOLVED.



SECTION 1

Instructions for Safe Operation

Improper use of this dozer blade can injure people and damage the equipment. People using or servicing this dozer blade must read and follow the instructions in this manual.

It is important to understand that this manual and any other Gravelly instruction manuals do not cover every possible danger. It is impossible for Gravelly to know of all possible dangers in operating and servicing the tractor and attachments.

The purchaser must give these instructions to the people operating and maintaining this dozer blade. These people must use eye and foot protection.

1.1 Preparation:

1. Read the tractor and attachment operator's manuals carefully.
2. Learn the location and function of all tractor and attachment controls.
3. Learn how to use the controls to stop the tractor and attachment.
4. Use caution with gasoline. Gasoline is very flammable. Keep it in a clean and tight container away from flames or hot items. Never put gasoline in the fuel tank while the engine is running or hot. Clean up spilled gasoline before starting engine.
5. Be certain that all shields, guards, and interlock switches are in the correct positions.
6. When hauling the tractor, connect the chassis and rear hitch to the transporting vehicle. Never connect from control levers, rods, or like items that could be damaged.

1.2 Operation

1. Wear foot and eye protection. Do not wear loose clothing.
2. Do not use the equipment in the dark without adequate lighting.
3. Keep the tractor and dozer blade in good condition. Maintain it as directed in this manual.
4. Replace all parts that become damaged or lost.
5. USE ONLY GRAVELY ACCESSORIES AND ATTACHMENTS OR ATTACHMENTS GRAVELY HAS APPROVED FOR USE WITH THIS TRACTOR.
6. Do not overspeed the engine. Do not override the governor.
7. Keep away from moving parts.
8. Keep people and animals away from the operating area.
9. Do not let people other than the operator ride on the tractor.
10. Use a slow speed and engage the traction clutch slowly when operating on slopes.
11. Look for and keep away from solid unyielding obstructions and other hazards.
12. Keep the PTO Control in the "OFF" position.
13. Look behind when operating in reverse.
14. After hitting an object with the tractor or dozer blade, stop the engine and check for damage. Repair any damage before continuing operation.
15. Operate the tractor only from the seat.
16. Travel up and down, not across slopes.
17. Never permit children to operate the tractor.
18. Before leaving the tractor, lower dozer blade, lock the brake, and remove the ignition key.
19. If there is a sudden change in the sound or vibration of the tractor or attachments, stop the engine and check for damage. Repair any damage or failure before continuing operation.

20. Never run the engine indoors except to move it outside. Exhaust fumes are dangerous.
21. Go slowly on slick surfaces.
22. Follow traffic laws when operating on or near a road.
23. Before making adjustments or servicing, move the PTO to "OFF", turn the ignition switch to "OFF", and wait until all moving parts completely stop.

SECTION 2

Assembly and Installation

- 2.1 In the following assembly and installation instructions, refer to the parts illustration and Figure 1. All parts are identified by the numbers on this diagram.
 1. Attach the blade (28) to the support (1) with the pin (35). Slide the pin through the holes on the ribs on the back of the blade, through the support, and secure with a cotter pin (4) on each end of the pin.
 2. Connect the two trip springs (36) from the top of the blade to the support (1).
 3. Assemble the two channels (22) to the stiffener plate (23) as shown. Secure with four cap screws (24), flat washers (26), lockwashers (25) and the hex nuts (27).
 4. Attach this channel assembly, the pivot support (38) and the push frame (2) together with the pivot rod (39). Secure a cotter pin (4) through each end of the rod.
- 2.2 Use the following procedure to attach front blade to the tractor:
 1. Apply tractor brake lock. Lower the attachment lift lever and remove the tractor ignition key.
 2. Slide the assembled blade under the tractor from the front. Attach the top of the pivot support (38) to the tractor frame and secure with the mounting rod (37) through the frame. Secure the left side of the rod with a washer (45) and hairpin cotter (44).
 3. Position the lift bell crank (40) on the right end of the rod with the short arm facing forward. Secure with a flat washer (45) and hairpin cotter (44).

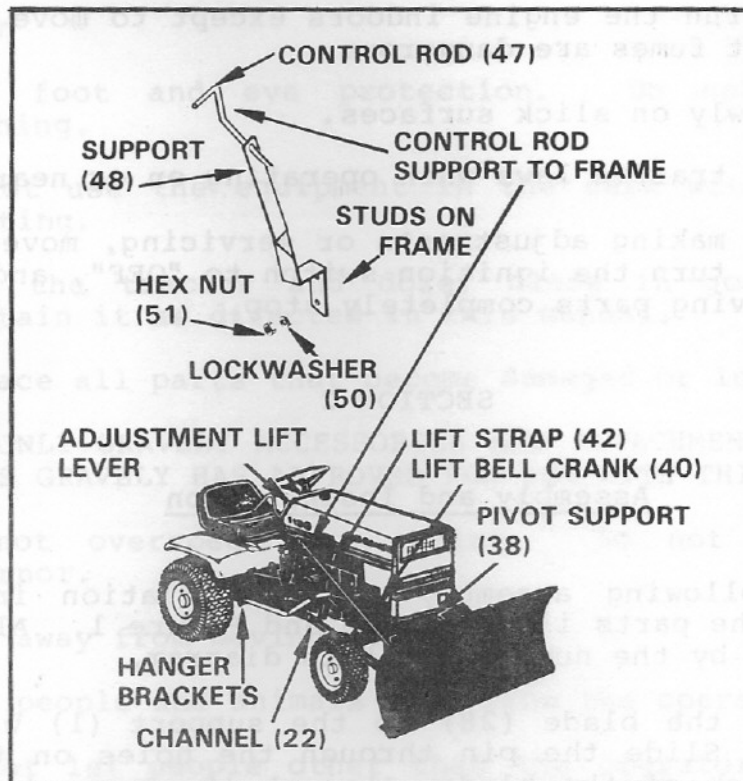


Figure 1

4. Connect the ends of the channels (22) to the hanger brackets on the tractor frame. Secure with a clevis pin (46) and hairpin cotter (44) on each side.
5. Connect the lift linkage as follows: Connect the upper end of the lift link (41) to the short end of the lift bell crank (40) with a flat washer (45) and a hairpin cotter (44). Install the lift strap (42) between the stud on the tractor lift lever and the long arm on the lift bell crank (40). (Slotted end of lift strap forward.) Secure each end of the lift strap with a flat washer (43) and a hairpin cotter (44).
6. Install the control support (48) on the extended bolts (securing quadrant) provided in the right side of the tractor dash support. Use lockwashers (50) and nuts (51) to secure in place.
7. Insert the control rod (47) through the control rod support (48) and insert the bent end of the rod through the hole in the universal joint block (20). Secure with cotter pin (18).

SECTION 3

Service

3.1 Operating on rough terrain, the skid shoes should be lowered to prevent the blade from striking rigid objects. Adjust skid shoes by loosening bolts A, Figure 2, and moving the shoes up or down as required. Always adjust both shoes evenly.

3.2 Blade Working Height:

The working height range is from 5" above ground level to 1-1/2" below ground level. Use the attachment lift lever to set the blade to the desired working height.

3.3 Blade Cutting Edge:

The blade cutting edge, Figure 2, is reversible for double life. Should the cutting edge become excessively worn after continued use, remove the seven mounting bolts and reverse the blade.

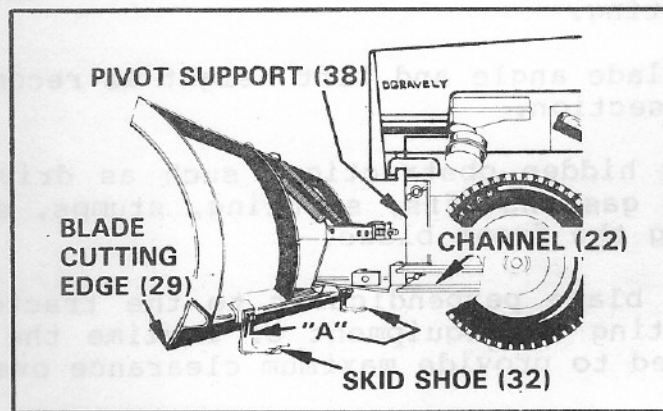


Figure 2

SECTION 4

Operation

4.1 Operation

1. Become thoroughly familiar with the engine starting procedures, controls, safety precautions and operating procedures. The more familiar you become with the equipment, the better results you will have with it.
2. Adjust tire pressures to provide maximum control and maximum traction (front tires 12-16 psi, rear tires 6-10 psi).

NOTE: Tire chains are available from your Gravelly dealer for use in snow conditions only.
3. For added traction, install the optional weight box and fill to a maximum weight of 50 pounds. Do not overload as drive train damage may result.
4. A light coat of wax applied to the working surface of the blade aids in preventing ice and snow from accumulating.
5. Adjust blade angle and lift height as recommended in the Service section.
6. Mark any hidden obstructions such as driveway markers, water or gas shutoffs, spouting, stumps, etc., prior to operating the front blade.
7. Position blade perpendicular to the tractor frame when transporting the equipment or anytime the blade is not being used to provide maximum clearance over obstacles.
8. Allow the engine to warm up for at least five minutes in below freezing temperatures.
9. Slow down when operating on sloping, rough or hilly ground and when turning.
10. Stop the engine as recommended in the Tractor Operation section of the tractor operator's manual.

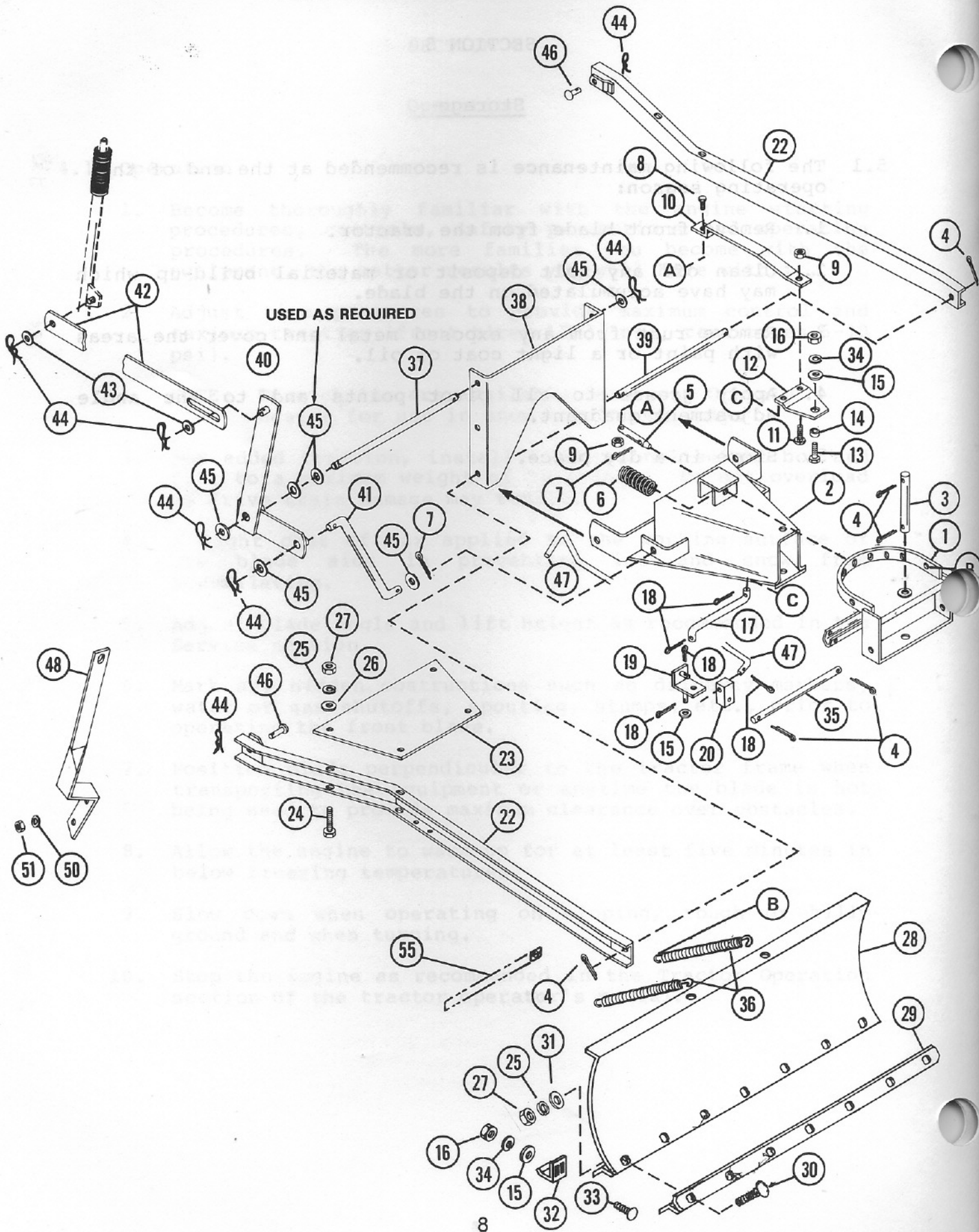
SECTION 5

Storage

5.1 The following maintenance is recommended at the end of the operating season:

1. Remove front blade from the tractor.
2. Clean off any salt deposit or material build-up which may have accumulated on the blade.
3. Remove rust from any exposed metal and cover the areas with paint or a light coat of oil.
4. Apply grease to all pivot points and to the angle adjustment quadrant.
5. Store in a dry place.

SECTION 6
Illustrated Parts and Parts List



GRAVELLY LIMITED WARRANTY

ITEM NO.	PART NO.	QTY.	DESCRIPTION
1	36524	1	Support
2	36525	1	Push Frame
3	36526	1	Rod
4	187988	6	Cotter Pin 3/16x1
5	36528	1	Latch Pin
6	36058	1	Comp. Spring
7	137185	1	Cotter Pin 1/8x1
8	180081	1	Bolt, Hex 5/16-18x1.25
9	416310	2	Locknut 5/16-18
10	36791	1	Strap
11	126211	1	Bolt, Carriage 5/16-18x5/8
12	36535	1	Pivot Plate
13	180122	1	Bolt, Hex 3/8-16x1
14	36537	1	Spacer
15	120388	6	Washer 3/8
16	120377	5	Nut 3/8-16
17	36540	1	Rod
18	177923	5	Cotter Pin 1/8x.75
19	36542	1	Angle
20	36543	1	Universal Block Joint
22	36544	2	Channel
23	36545	1	Stiffener Plate
24	180091	4	Bolt, Hex 5/16-18x2.50
25	131099	11	Lockwasher 5/16
26	120386	4	Washer
27	120376	11	Nut 5/16-18
28	36550	1	Blade
29	36533	1	Wear Plate
30	126358	7	Bolt, Carriage 5/16-18x1
31	120394	7	Washer, 5/16
32	36554	2	Skid Shoe
33	120915	4	Bolt, Carriage 3/8-16x1
34	120382	5	Lockwasher 3/8
35	36557	1	Rod
36	36558	2	Extension Spring
37	36559	1	Mount Rod
38	36560	1	Pivot Support
39	36561	1	Pivot Rod
40	36562	1	Lift Bellcrank
41	36563	1	Lift Link
42	36564	1	Lift Strap
43	120389	2	Washer 1/2
44	36566	5	Hair Pin, Internal
45	131016	6	Washer 5/8
46	36568	2	Clevis Pin
47	36569	1	Control Rod
48	36570	1	Control Support
50	131099	2	Lockwasher 5/16
51	120376	2	Nut 5/16-18
55	24588	1	Decal

SECTION 7

GRAVELY LIMITED WARRANTY

This Limited Warranty is issued by Gravely International, Inc., and consists of the following terms:

1. Only the original purchaser of new Gravely equipment is covered by this Warranty.
2. This Warranty covers repair or replacement of parts manufactured by Gravely which are defective in material or workmanship. Gravely will pay for parts and labor only.
3. The Warranty starts the date of purchase and lasts for TWELVE (12) MONTHS.
4. Some components of Gravely equipment are not covered by the Gravely Warranty. These components are covered by the original manufacturer's warranty, which is included with the product. They are:
 - a. Engines
 - b. Tires
5. To obtain warranty service on Gravely equipment including components not manufactured by Gravely, use this procedure:
 - a. Notify the Gravely dealer from whom you purchased the equipment.
 - b. If you have moved and it is not convenient to notify the selling dealer, notify the nearest Gravely dealer. You should supply this dealer with a copy of the bill of sale as proof of the date of purchase.
 - c. Make arrangements to have the equipment delivered to the dealer (refer to paragraph 6(a) below).
 - d. If you have any questions concerning the Gravely Limited Warranty, they should be referred to:

Gravely International, Inc.
One Gravely Lane
Clemmons, NC 27012

Attn: Manager of Customer Services
 - e. Warranty service on Gravely equipment must be performed by an authorized Gravely dealer or Gravely factory branch.
6. This Warranty does not cover the following:
 - a. Transportation between owner's home or place of business and the dealership. If the dealer provides the transportation of the equipment, he will charge the owner his usual rate for such service.
 - b. Normal maintenance services and normal replacement of items such as spark plugs, belts, oil, oil filters, air filters, and mower, plow or cultivator blades.
 - c. Alterations or Modifications - All obligations under this warranty shall be terminated if the equipment is altered or modified in any way.
 - d. Customer Neglect or Lack of Proper Maintenance - The purchaser is responsible for making sure that the tractor is operated and serviced as directed in the operator's manual. Incorrect use or maintenance will void the warranty.

7. GRAVELY MAKES NO OTHER EXPRESS WARRANTIES. AN IMPLIED WARRANTIES, INCLUDING WARRANTIES AS TO MERCHANTABILITY OR FITNESS FOR A PARTICULAR PURPOSE, ARE LIMITED IN DURATION TO THE PERIOD SET OUT IN PARAGRAPH 3 ABOVE. SOME STATES DO NOT ALLOW LIMITATIONS ON HOW LONG AN IMPLIED WARRANTY LASTS, SO THE ABOVE STATEMENT MAY NOT APPLY TO YOU.
8. GRAVELY SHALL HAVE NO RESPONSIBILITY FOR INCIDENTAL OR CONSEQUENTIAL DAMAGES RESULTING FROM THE BREACH OF ANY WARRANTY, INCLUDING, BUT NOT LIMITED TO, INCONVENIENCE, RENTAL OR PURCHASE OF REPLACEMENT EQUIPMENT, LOSS OF PROFITS OR COMMERCIAL LOSS. SOME STATES DO NOT ALLOW THE EXCLUSION OR LIMITATION OF INCIDENTAL OR CONSEQUENTIAL DAMAGES, SO THE ABOVE LIMITATION OR EXCLUSION MAY NOT APPLY TO YOU.
9. This Warranty gives you specific legal rights, and you may have other rights which vary from state to state.
10. A Gravely product registration card is supplied with each Gravely product. Please complete the card and return it to Gravely at the address listed on the card. The equipment registration card will be used by Gravely for:
 - a. Recording date of purchase.
 - b. Notification of owners in compliance with the Consumer Product Safety Act, should any notification be necessary.

The return of registration card is not required in order to take advantages of this Warranty.
11. This Warranty is not subject to change or modification by anyone, including Gravely dealers and no Gravely dealer is authorized to make any representations or promises on Gravely's behalf.

