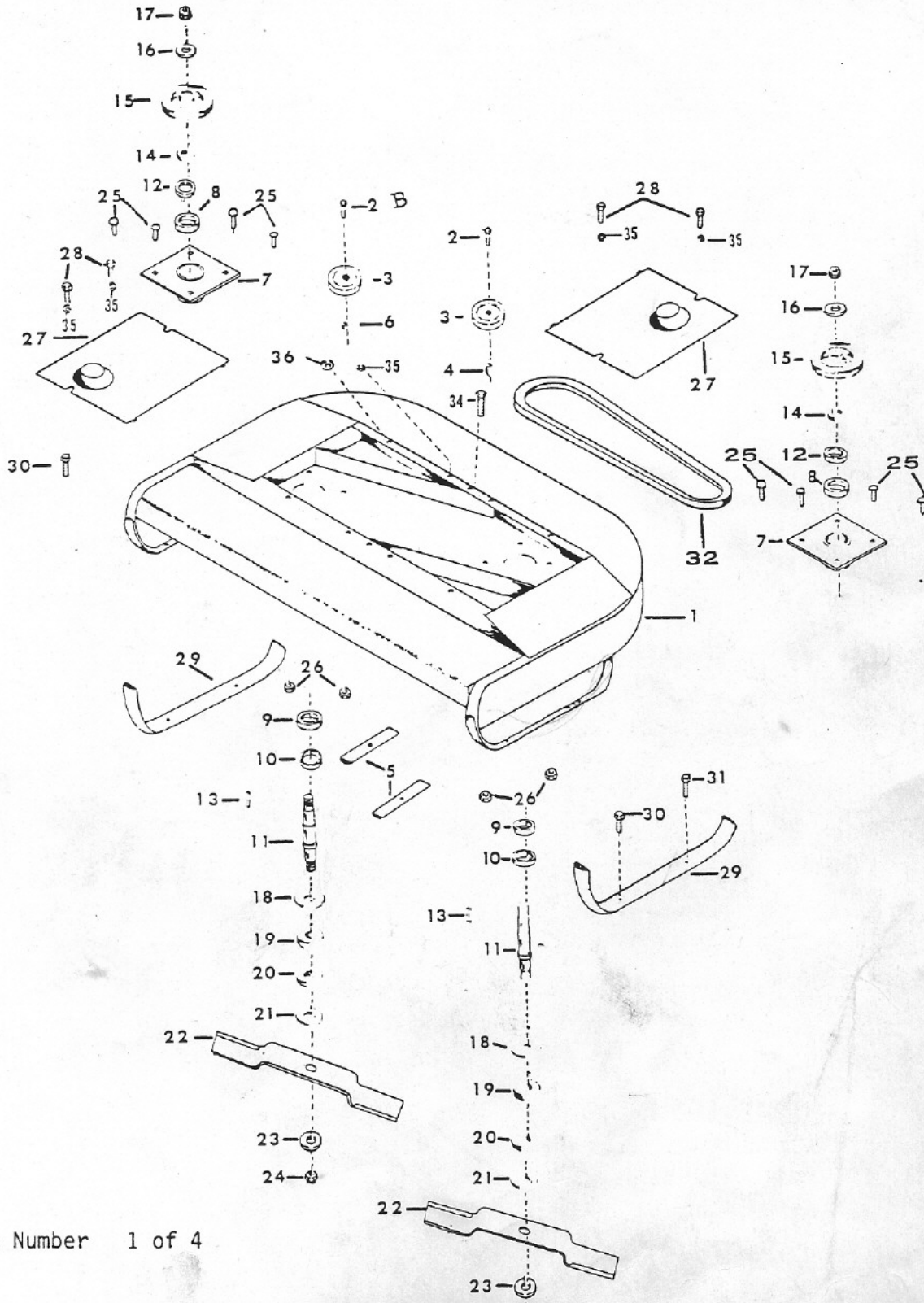
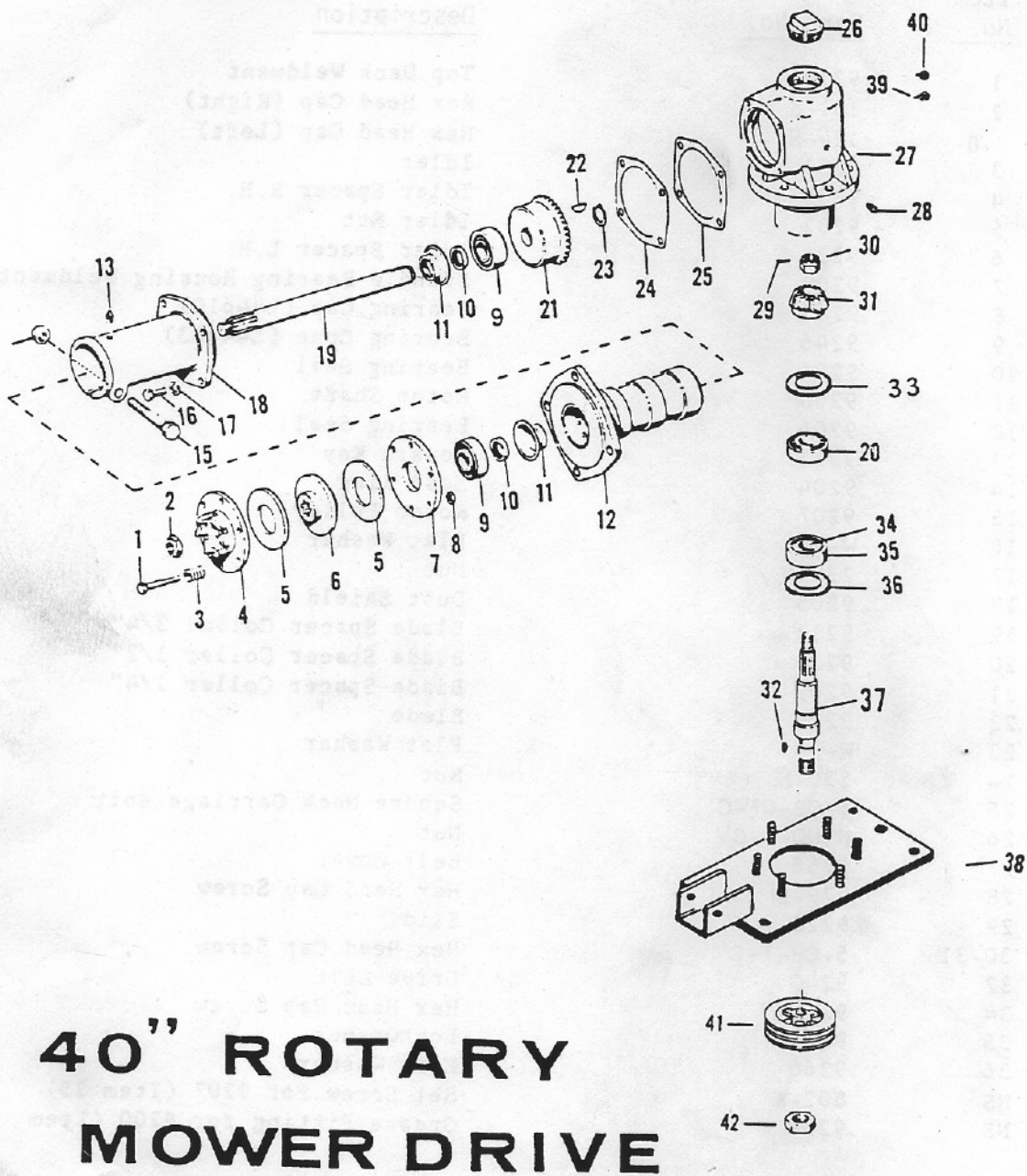


To continue its program of quality and design improvement, the manufacturer reserves the right to change specifications, designs or prices without notice and without incurring obligation.



40" ROTARY MOWER

<u>Item No.</u>	<u>Part No.</u>	<u>Description</u>	<u>No. Req.</u>
1	9214	Top Deck Weldment	1
2	151-S	Hex Head Cap (Right)	1
2-B	124-S	Hex Head Cap (Left)	1
3	9231	Idler	2
4	9235	Idler Spacer R.H.	1
5	9232	Idler Nut	2
6	9234	Idler Spacer L.H.	1
7	9200	Spindle Bearing Housing Weldment	2
8	9245	Bearing Cap (L44610)	4
9	9246	Bearing Cone (L44643)	4
10	9206	Bearing Seal	2
11	9203	Rotor Shaft	2
12	9206	Bearing Seal	2
13	9213	Square Key	2
14	9204	Seal Ring	2
15	9207	Rotor Pulley	2
16	W-14	Flat Washer	2
17	230-N	Nut	2
18	9205	Dust Shield	2
19	9211	Blade Spacer Collar 3/4"	2
20	9210	Blade Spacer Collar 1/2"	2
21	9209	Blade Spacer Collar 1/4"	2
22	9212	Blade	2
23	W-14	Flat Washer	2
24	230-N	Nut	2
25	6-CB-07-C	Square Neck Carriage Bolt	8
26	NTUO-6-C	Nut	8
27	9256	Belt Cover	2
28	179-S	Hex Head Cap Screw	4
29	9223	Skid	2
30-31	5-CH-7-C	Hex Head Cap Screw	4
32	9240	Drive Belt	2
34	9258	Hex Head Cap Screw	5
35	9259	Lockwasher	5
36	9260	Flat Washer	4
NS	802-A	Set Screw for 9207 (Item 15)	2
NS	9250	Grease Fitting for 9200 (Item 5)	2



40" ROTARY MOWER DRIVE

40" ROTARY MOWER DRIVE

<u>Photo No.</u>	<u>Part No.</u>	<u>Description</u>	<u>No. Req.</u>
1	SC-37	Spring Bolt, Safety Clutch	6
2	227-N	5/8"-18 NF Nut, Safety Clutch to Drive Shaft	1
3	SC-35	Spring, Safety Clutch	6
4	SC-30	Dog Plate, Safety Clutch	1
5	SC-34	Friction Washer, Safety Clutch	5
6	SC-33-SA	Drive Plate, Splined, Safety Clutch	6
7	SC-32	Back Plate, Safety Clutch	1
8	215-N	Jam Hex Nut, Safety Clutch	6
9	RB-113-R & RB-113-C	Timken Roller Bearing, For Swivel Casting	2
10	OS-112	Oil Seal, Swivel Casting	2
11	A-474	Oil Seal Retainer	2
12	A-148	Drive Shaft Housing	1
13	903-G	Grease Fitting, Swivel Casting	1
14	241-N	1/2" - 13 NC Nut, for 172-S Screw	1
15	8CH30C	1/2" - 12 NC Bolt, Swivel Casting Clamp	1
16	110-S	Hex, Hd. C p Screw, Swivel Casting to Gear Hsg.	4
17	305-W	Lock Washer, for 110-S Bolts	4
18	A-149	Swivel Casting	1
19	A-475	Drive Shaft, in Swivel Casting	1
20	RB-118-R & RB-117-C	Bearing	2
21	RO-341	Bevel Gear, (large size) Mates with RO-342, 27 tooth 13/16" bore	1
22	510-K	Woodruff Key for RO-341 Gear	1
23	RR-110	Snap Ring for RO-341 Gear to Shaft	1
24	SH-114	Shim (.020 thickness)(or.005 thickness)	1
25	M-486	Gasket	1
26	706-VP	Vented Oil Filter Plug, for Gear Housing	1
27	9236	Gear Housing	1
28	701-P	Oil Level Plug, for Gear Housing	1
29	607-C	Cotter Pin, for 219-N Pinion Nut	1
30	219-N	Pinion Nut, for RO-342 Gear	1
31	RO-108	Bevel Pinion, Small Size, Mates with RO-341, 15 tooth, 13/16" bore	1
32	9239	Drive Sheave Key	1
33	RO-110	Shim	1
34	RB-112-C	Timken Bearing Cone, Rotor	1
35	RB-110-R	Timken Bearing Cup, Rotor	1
36	RO-344	Rotor Oil Seal, 1-3/8" I.D.	1
37	9237	Rotor Shaft	1
38	9226	Mounting Plate Weldment	1
39	308-W	Lock Washer	6
40	211-N	Nut	6
41	9238	Drive Sheave	1
42	229-N	Nut	1