



**40" ROTARY MOWER
&
50" ROTARY MOWER
OPERATOR'S MANUAL**

FORM NO. 45712 (9-88)

PART NO. 45810 - 40"
45706 - 50"

PRINTED IN USA
\$5.00

NOTE

Read this manual carefully and learn to operate and service your 40"/50" Rotary Mower before using it.

To keep the warranty, the 40"/50" Rotary Mower must be maintained and operated as directed in this manual.

All references to "left-side", "right-side", "front", and "back" are given from the operator's position.

SERIAL NUMBER _____



Look for this symbol to point out important safety precautions. It means — ATTENTION! BECOME ALERT! YOUR SAFETY IS INVOLVED.

INSTRUCTIONS FOR SAFE OPERATION

USE ONLY GRAVELY ACCESSORIES AND ATTACHMENTS. Improper use of this equipment can injure people and damage the equipment. People using this equipment must read and follow the instructions in this manual. It is important to understand that this manual and any other Gravelly instructions do not cover every possible danger. It is impossible for Gravelly to know all possible dangers in operating and servicing the equipment. Careful reading and following the instructions in this manual is essential for safe operation.

CONTENTS

1. INSTRUCTIONS FOR SAFE OPERATION	1
2. OPERATING INSTRUCTIONS	11
3. SERVICE INSTRUCTIONS	12
4. STORAGE	14
5. SOLVING PROBLEMS	14
6. ILLUSTRATED PARTS AND PARTS LIST	16
7. SPECIFICATIONS	16
8. SET-UP INSTRUCTIONS	16
9. WARRANTY	16

Do not use the equipment in the dark without adequate lighting.

SECTION 1

INSTRUCTIONS FOR SAFE OPERATION

Improper use of this equipment can injure people and damage the equipment. People using or servicing this equipment must read and follow the instructions in this manual.

It is important to understand that this manual and any other Gravely instruction manuals do not cover every possible danger. It is impossible for Gravely to know all possible dangers in operating and servicing the equipment.

The purchaser must give these instructions to the people operating and maintaining this equipment. These people must use eye and foot protection.

1.1 Preparation:

1. Read this manual and the tractor manual carefully.
2. Learn the location and function of all controls.
3. Learn how to use the controls to stop the wheels and mower quickly.
4. Use caution with gasoline. Gasoline is very flammable. Keep it in a clean and tight container away from flames or hot items. Never put gasoline in the fuel tank while the engine is running or hot. Clean up spilled gasoline before starting engine.
5. Be certain that all shield, guards, and interlock switches are in the correct positions.
6. Never permit children to operate the tractor and mower.
7. Inspect area to be mowed and remove all material which could be thrown by the mower.
8. Before starting the engine, put the PTO control lever in the "OFF" position and the gear shift lever in the neutral "N" position.
9. When hauling the equipment, connect the chassis to the transporting vehicle. Never connect from control levers, rods, or like items that could be damaged.
10. Replace all parts that become damaged or lost.

1.2 Operation:

1. Wear foot and eye protection. Do not wear loose clothing.
2. Do not use the equipment in the dark without adequate lighting.

3. Keep the equipment in good condition. Maintain it as directed in this manual.
4. **USE ONLY GRAVELY ACCESSORIES AND ATTACHMENTS.**
5. Do not overspeed the engine. Do not override the governor.
6. Keep away from moving parts.
7. Keep people and animals away from the operating area.
8. Do not let people other than the operator near the operating equipment.
9. Use a slow speed and engage the direction control slowly when operating on slopes.
10. Look for and keep away from hazards.
11. After hitting an object, stop the equipment and engine. Check for damage. Repair any damage before operating.
12. Look behind when operating in reverse. Look for people and hazards.
13. Operate only from the operator's position.
14. Travel across slopes with the walk-behind tractor. Travel up and down slopes with the ride-on tractor.
15. If there is a sudden change in the sound or vibration of the equipment, stop the engine and check for damage. Repair any damage or failure before continuing operation.
16. Never run the engine indoors except to move it outside. Exhaust fumes are dangerous.
17. Go slowly on slick surfaces.
18. Follow traffic laws when operating on or near a road.
19. Before making adjustments or servicing, move the PTO to "OFF" , turn the ignition switch to "OFF" and wait until all moving parts completely stop.
20. Before leaving the operator's position, put the PTO lever in the "OFF" position and turn the ignition key to the "OFF" position. Move the direction control to the forward position (walk-behind tractor). Lock the brake lock (ride-on tractor). Wait until all moving parts have stopped.

SECTION 2

OPERATING INSTRUCTIONS

- 2.1 Transport the equipment to the area to be mowed.
- 2.2 Inspect the area to be mowed and remove all material which could be thrown by the mower.
- 2.3 Plan the pattern for cutting the grass. Generally an area is mowed around the periphery towards the center by discharging the grass toward the center on the first pass. The remainder of the mowing is done discharging the grass outward in the area which has been cut.
- 2.4 See Section 7 for the schedule of heights of cut. Set the mower for the height of cut desired.
- 2.5 See the tractor manual for correct operation of the PTO. Start the engine and put the PTO control in the "ON" position. Move the throttle control to the "FAST" position.
- 2.6 Select a slow gear. Engage the forward clutch. Control the ground speed by selecting the desired gear.

SECTION 3

SERVICE INSTRUCTIONS

3.1 Lubrication:

1. Every eight hours of operation apply multi-purpose grease to the lube fittings on:
 - a. Each spindle (3)
 - b. Each gauge wheel (2)
 - c. Drive shaft
 - d. Front mount
 - quick hitch pin
 - each caster wheel (2)
 - each caster fork (2)
2. Gear Box: Once a year or every 200 hours of operation, check the lubricant by removing the cover. Clean the top of the gear box and carefully remove the cover. Replace the gasket if damaged. Keep the gear box 3/4 full of grease.

3.2 Blade Service:

1. Every ten hours of operation or when the cut is poor visually, check the blades for sharpness.
2. Remove the mower from the tractor. See Sections 3.6 and 3.7.
3. Turn the mower upside down.
4. Block the blades and remove the nuts and flat washers from the spindle.
5. Sharpen and balance the blade.
6. Reverse the removal process to install the blades on mower and the mower on the tractor.
7. Replace the blades when over 1/2" has been removed or the blade cannot be balanced.

3.3 Height of Cut Adjustment:

Lift up on the height adjustment lever and rotate the axle pivot weldment until the lever registers with the slot corresponding to the desired height of cut. The lowest cut position is when the lever is nearest the deck.

3.4 Belt Adjustment:

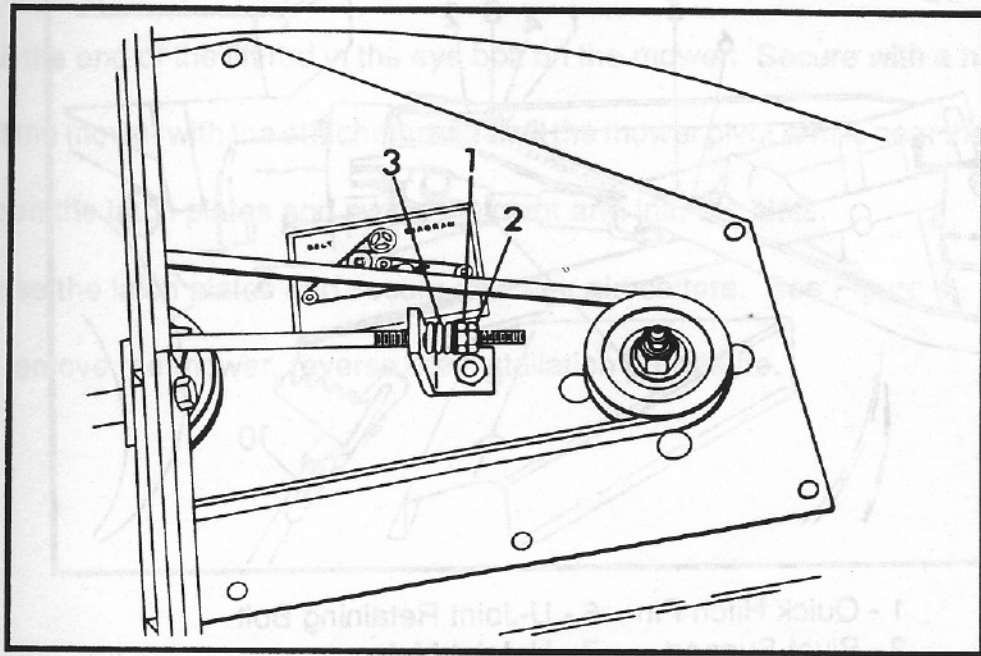
1. Remove the right belt cover.
2. Unlock the adjusting nuts. See Figure 1.
3. Rotate the inside nut until the air gap in the spring is .010" to .015" (.25mm to .38mm).
4. Jam the adjusting nuts.
5. Install the belt cover.

3.5 Belt Replacement:

1. Remove the mower from the tractor.
2. Remove the belt covers.
3. Loosen the spring tension on the belt.
4. Remove the gear housing support.
5. Remove the belt.
6. Put the new belt in position on the sheaves. See Diagram 1.
7. Mount the gear housing support.
8. Adjust the belt tension.
9. Install the belt covers.
10. Mount the mower on the tractor.

3.6 Mower Installation on the Two-Wheel Tractor:

1. Put a film of grease on the quick hitch pin. See Figure 2.
2. Slide the pivot support onto the quick hitch pin and retain with a flat washer and klik pin.
3. Put a film of grease on the shaft of the universal drive assembly. Slide the shaft into the tube of universal joint (female) assembly.
4. Pull (or rotate) the locking collar toward the U-joint and slide onto the tractor PTO shaft. Release the locking collar. Pull on the drive to make sure that the drive has locked in place.
5. To remove the mower, reverse the steps above.



- 1 - Adjusting Nut
 - 2 - Jam Nut
 - 3 - Spring
- FIGURE 1

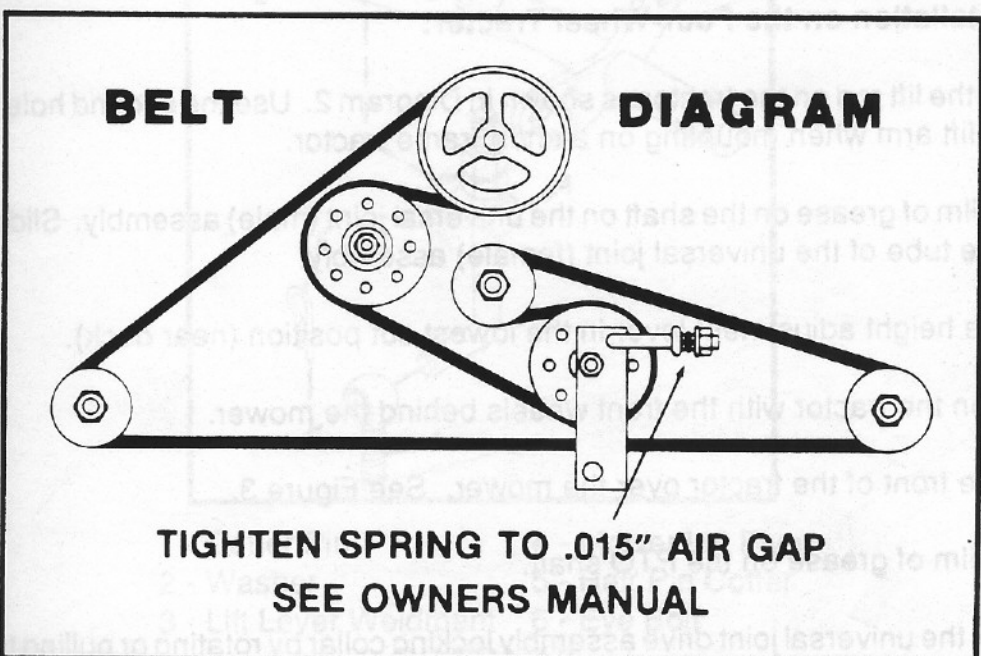
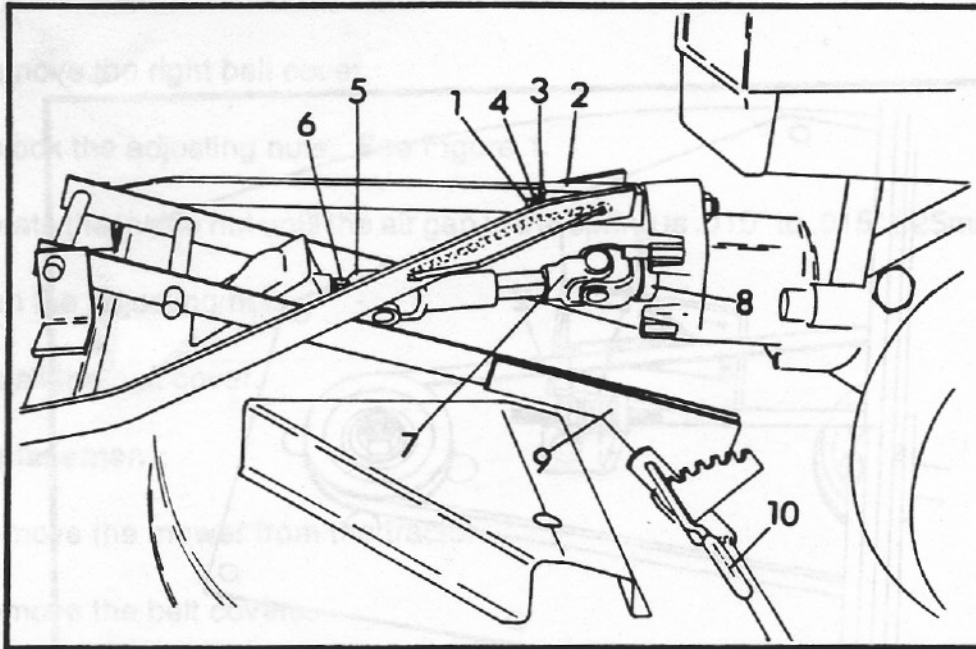


DIAGRAM 1



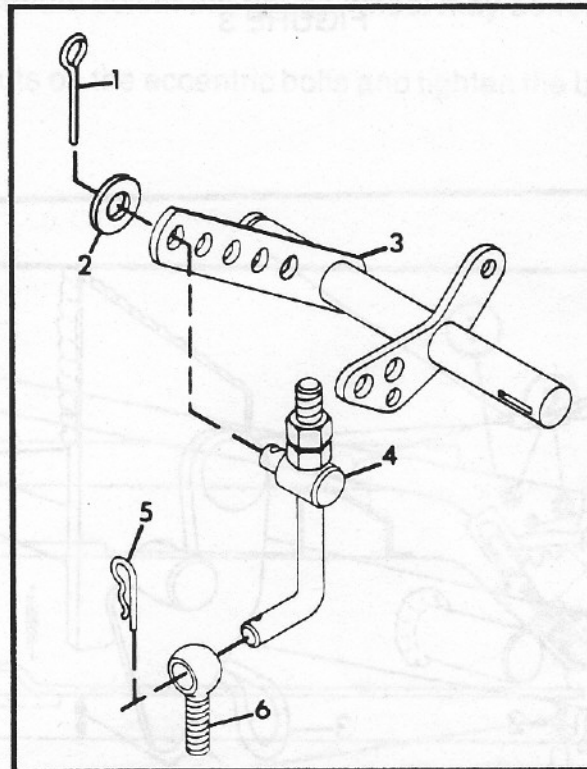
- | | |
|---------------------|------------------------------|
| 1 - Quick Hitch Pin | 6 - U-Joint Retaining Bolt |
| 2 - Pivot Support | 7 - U-Joint Male |
| 3 - Flat Washer | 8 - Locking Collar |
| 4 - "Klik" Pin | 9 - Deck Leveling Cam |
| 5 - U-Joint Female | 10 - Height Adjustment Lever |

FIGURE 2

3.7 Mower Installation on the Four-Wheel Tractor:

1. Install the lift rod on the tractor as shown in Diagram 2. Use the second hole in the end of the lift arm when mounting on a short frame tractor.
2. Put a film of grease on the shaft on the universal joint (male) assembly. Slide the shaft into the tube of the universal joint (female) assembly.
3. Put the height adjustment lever in the lowest cut position (near deck).
4. Position the tractor with the front wheels behind the mower.
5. Roll the front of the tractor over the mower. See Figure 3.
6. Put a film of grease on the PTO shaft.
7. Unlock the universal joint drive assembly locking collar by rotating or pulling toward the drive assembly. Slide the drive assembly on the PTO shaft and release the locking collar. Pull on the drive assembly to make sure it is locked on the PTO shaft.
8. Lower the attachment lift.

9. Put the end of the lift rod in the eye bolt on the mower. Secure with a hair pin cotter.
10. Lift the mower with the attachment lift until the mower pivot arm is near the latch plates.
11. Open the latch plates and swing the pivot arm into the slots.
12. Close the latch plates and secure with hair pin cotters. See Figure 4.
13. To remove the mower, reverse the installation procedure.



- | | |
|-------------------------|----------------------|
| 1 - Cotter Pin | 4 - Mower Lift Pivot |
| 2 - Washer | 5 - Hair Pin Cotter |
| 3 - Lift Lever Weldment | 6 - Eye Bolt |

DIAGRAM 2

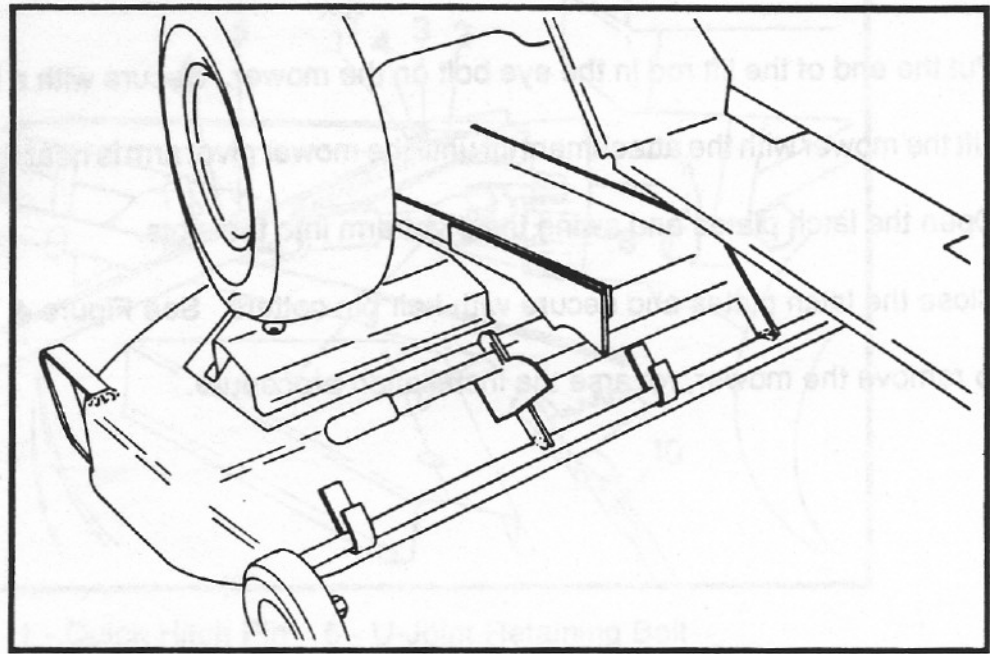
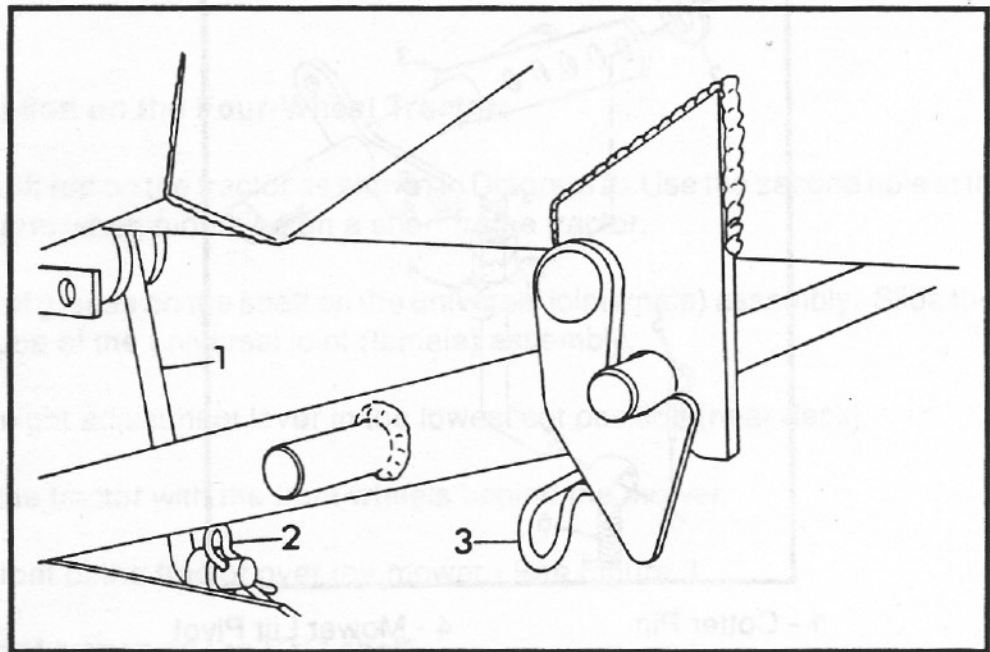


FIGURE 3

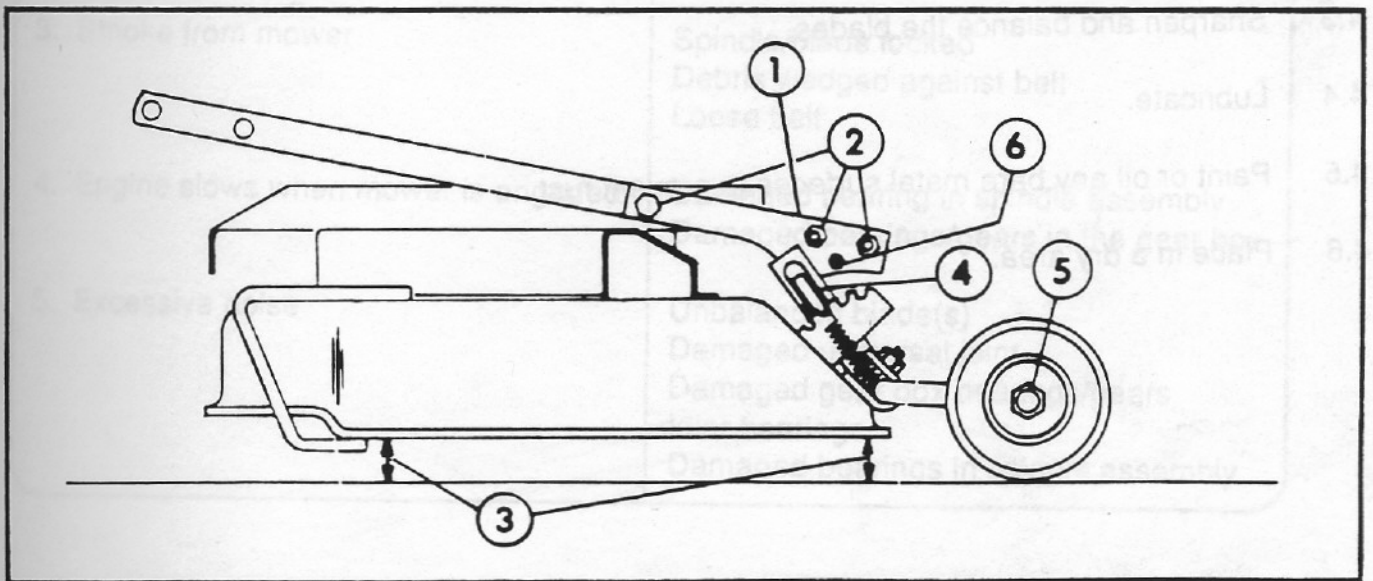


- 1 - Lift Rod
- 2 - Hair Pin Cotter
- 3 - Large Hair Pin Cotter

FIGURE 4

3.8 Mower Level Adjustment:

1. Park the tractor on a level, paved surface.
2. Check and adjust the tractor tire pressure. See the tractor operator's manual.
3. Move the height of cut lever to the position where the mower will be used.
4. Loosen the bolts which retain the deck leveling cams.
5. Loosen the jam nut on the eccentric bolts which retain the gauge wheels.
6. Rotate the eccentric bolts in the gauge wheels until the distance from the rear of the deck to the supporting surface is equal on each side of the mower. See Diagram 3.
7. Adjust the deck leveling cams with the cam until the front edge of the deck to the supporting surface is within .1 inch of the rear distance. See Diagram 3. Readjustment of the eccentric bolt in the gauge wheel may be required.
8. Jam the nuts on the eccentric bolts and tighten the bolts which retain the deck leveling cams.



- | | |
|-----------------------|-------------------------|
| 1 - Deck Leveling Cam | 4 - Height of Cut Lever |
| 2 - Nuts | 5 - Eccentric Bolt |
| 3 - Measure Height | 6 - Cam |

DIAGRAM 3

SECTION 4

STORAGE

- 4.1 Remove the mower from the tractor and clean.

NOTE: Do not use harsh or abrasive cleaners on any painted surface. Do not allow gasoline or oil to remain on any silk screened surface.

- 4.2 Inspect for damage, wear, loose or missing hardware. Repair as needed.
- 4.3 Sharpen and balance the blades.
- 4.4 Lubricate.
- 4.5 Paint or oil any bare metal surfaces to prevent rust.
- 4.6 Place in a dry area.

SECTION 5

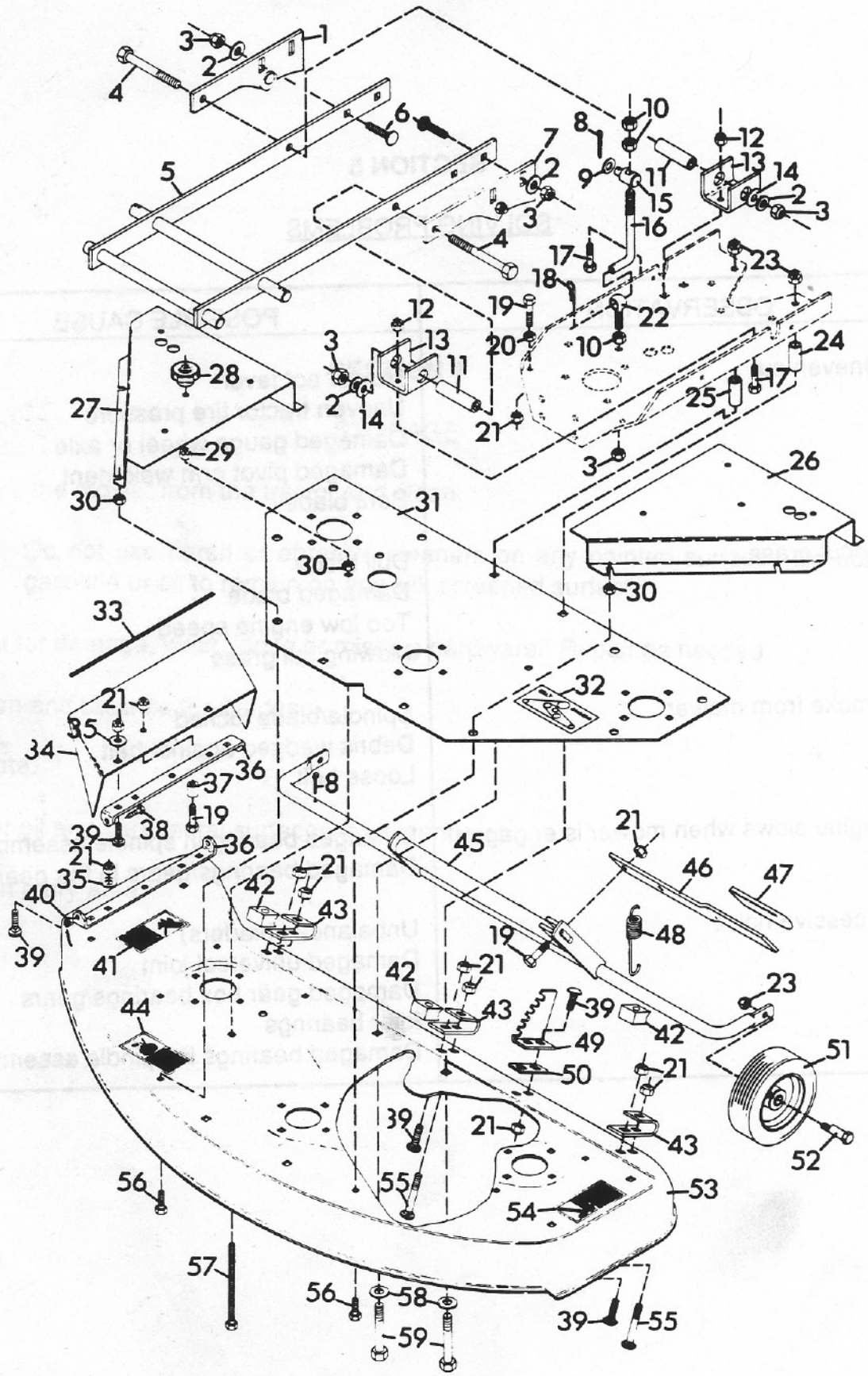
SOLVING PROBLEMS

OBSERVATION	POSSIBLE CAUSE
1. Uneven cut	Mower not level Uneven tractor tire pressure Damaged gauge wheel or axle Damaged pivot arm weldment Bent blade
2. Uncut grass	Dull blade Damaged blade Too low engine speed Mowing tall grass
3. Smoke from mower	Spindle/blade locked Debris wedged against belt Loose belt
4. Engine slows when mower is engaged	Damaged bearing in spindle assembly Damaged bearings/gears in the gear box
5. Excessive noise	Unbalanced blade(s) Damaged universal joint Damaged gear box bearings/gears Idler bearings Damaged bearings in spindle assembly

SECTION 6

ILLUSTRATED PARTS AND PARTS LIST

40" Mower Deck Assembly



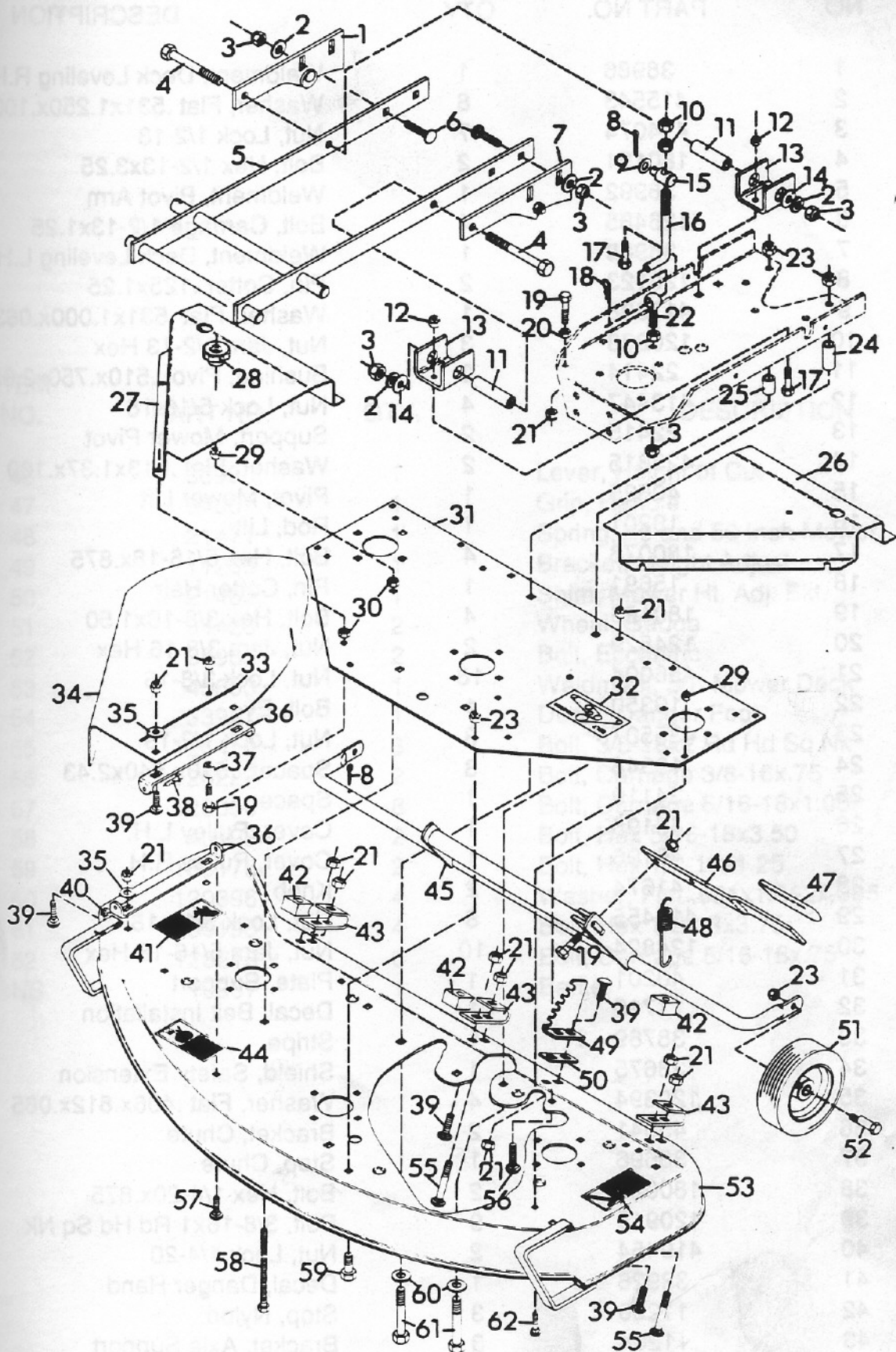
40" Mower Deck Assembly

ITEM NO.	PART NO.	QTY.	DESCRIPTION
1	38986	1	Weldment, Deck Leveling R.H.
2	415543	6	Washer, Flat .531x1.250x.100
3	414074	7	Nut, Lock 1/2-13
4	180191	2	Bolt, Hex 1/2-13x3.25
5	38992	1	Weldment, Pivot Arm
6	126485	4	Bolt, Carriage 1/2-13x1.25
7	38988	1	Weldment, Deck Leveling L.H.
8	120123	2	Pin, Cotter .125x1.25
9	417098	1	Washer, Flat .531x1.000x.063
10	120238	3	Nut, Jam 1/2-13 Hex
11	22414	2	Bushing, Pivot .510x.750x2.020
12	413447	4	Nut, Lock 5/16-18
13	22415	2	Support, Mower Pivot
14	423315	2	Washer, Flat .813x1.37x.100
15	40625	1	Pivot, Mower Lift
16	19201	1	Rod, Lift
17	180078	4	Bolt, Hex 5/16-18x.875
18	15691	1	Pin, Cotter Hair
19	180126	4	Bolt, Hex 3/8-16x1.50
20	124829	2	Nut, Jam 3/8-16 Hex
21	456004	16	Nut, Lock 3/8-16
22	19350	1	Bolt, Eye
23	435507	6	Nut, Lock 1/2-13
24	19348	3	Spacer, .510x.840x2.43
25	34119	1	Spacer
26	40533	1	Cover, Pulley L.H.
27	40532	1	Cover, Pulley R.H.
28	41674	2	Knob
29	419455	2	Nut, Lock 5/16-18
30	124824	10	Nut, Jam 5/16-18 Hex
31	40531	1	Plate, Support
32	11715	1	Decal, Belt Installation
33	38769	1	Stripe
34	38697	1	Chute, 40" Flip-Up
35	120394	4	Washer, Flat .406x.812x.065
36	45664	2	Bracket, Chute 40" Mower
37	38696	1	Stop, Chute
38	180021	2	Bolt, Hex 1/4-20x.875
39	120915	9	Bolt, 3/8-16x1 Rd Hd Sq Nk
40	419454	2	Nut, Lock 1/4-20
41	33926	1	Decal, Danger Hand
42	11260	3	Stop, Nylon
43	11264	3	Bracket, Axle Support
44	33928	1	Decal, Warning Eye
45	46053	1	Weldment, Axle Pivot

40" Mower Deck Assembly

ITEM NO.	PART NO.	QTY.	DESCRIPTION
46	38990	1	Lever, Height of Cut
47	34067	1	Grip, Handle
48	21471	1	Spring, 40 and 50 Inch Mower
49	11265	1	Bracket, Height Adjust
50	21462	1	Shim, Mower Ht. Adj. Bkt.
51	34426	2	Wheel, Gauge
52	38985	2	Bolt, Eccentric
53	45805	1	Weldment, 40" Deck
54	33927	1	Decal, Danger Foot
55	126419	3	Bolt, 3/8-16x2 Rd Hd Sq Nk
56	180077	8	Bolt, Hex 5/16-18x.75
57	40193	2	Bolt, Hex 5/16-18x3.50
58	120396	4	Washer, Flat .531x1.062x.095
59	180193	4	Bolt, Hex 1/2-13x3.75
NS	14666	1	Baffle

50" Mower Deck Assembly



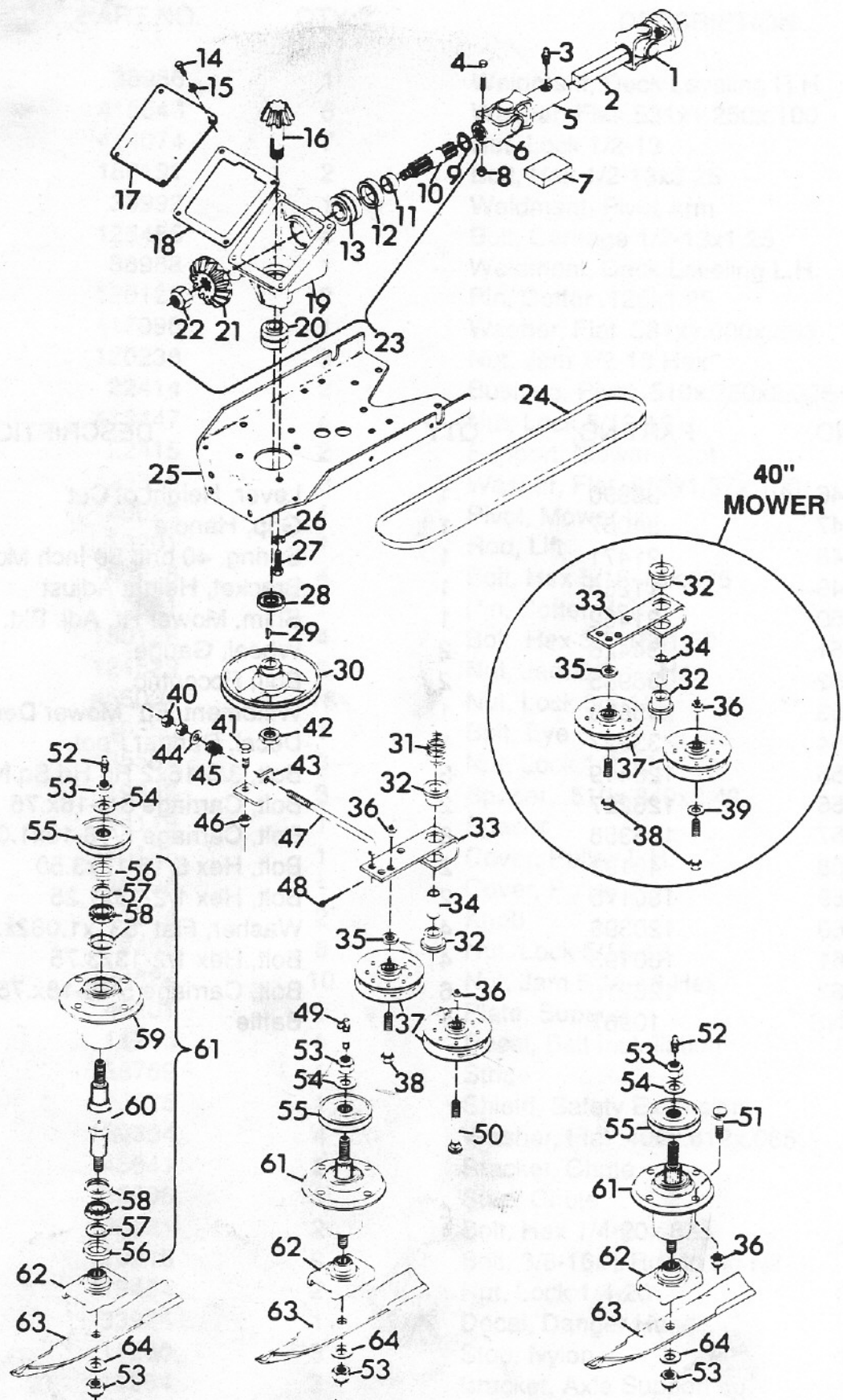
50" Mower Deck Assembly

ITEM NO.	PART NO.	QTY.	DESCRIPTION
1	38986	1	Weldment, Deck Leveling R.H.
2	415543	6	Washer, Flat .531x1.250x.100
3	414074	7	Nut, Lock 1/2-13
4	180191	2	Bolt, Hex 1/2-13x3.25
5	38992	1	Weldment, Pivot Arm
6	126485	4	Bolt, Carriage 1/2-13x1.25
7	38988	1	Weldment, Deck Leveling L.H.
8	120123	2	Pin, Cotter .125x1.25
9	417098	1	Washer, Flat .531x1.000x.063
10	120238	3	Nut, Jam 1/2-13 Hex
11	22414	2	Bushing, Pivot .510x.750x2.020
12	413447	4	Nut, Lock 5/16-18
13	22415	2	Support, Mower Pivot
14	423315	2	Washer, Flat .813x1.37x.100
15	40625	1	Pivot, Mower Lift
16	19201	1	Rod, Lift
17	180078	4	Bolt, Hex 5/16-18x.875
18	15691	1	Pin, Cotter Hair
19	180126	4	Bolt, Hex 3/8-16x1.50
20	124829	2	Nut, Jam 3/8-16 Hex
21	456004	18	Nut, Lock 3/8-16
22	19350	1	Bolt, Eye
23	435507	8	Nut, Lock 1/2-13
24	19348	3	Spacer, .510x.840x2.43
25	34119	1	Spacer
26	40195	1	Cover, Pulley L.H.
27	40196	1	Cover, Pulley R.H.
28	41674	2	Knob
29	419455	8	Nut, Lock 5/16-18
30	124824	10	Nut, Jam 5/16-18 Hex
31	40201	1	Plate, Support
32	11715	1	Decal, Belt Installation
33	38769	1	Stripe
34	38675	1	Shield, Safety Extension
35	120394	4	Washer, Flat .406x.812x.065
36	45641	2	Bracket, Chute
37	38696	1	Stop, Chute
38	180021	2	Bolt, Hex 1/4-20x.875
39	120915	9	Bolt, 3/8-16x1 Rd Hd Sq Nk
40	419454	2	Nut, Lock 1/4-20
41	33926	1	Decal, Danger Hand
42	11260	3	Stop, Nylon
43	11264	3	Bracket, Axle Support
44	33928	1	Decal, Warning Eye
45	45711	1	Weldment, Axle Pivot

50" Mower Deck Assembly

ITEM NO.	PART NO.	QTY.	DESCRIPTION
46	38990	1	Lever, Height of Cut
47	34067	1	Grip, Handle
48	21471	1	Spring, 40 and 50 Inch Mower
49	11265	1	Bracket, Height Adjust
50	21462	1	Shim, Mower Ht. Adj. Bkt.
51	34426	2	Wheel, Gauge
52	38985	2	Bolt, Eccentric
53	45603	1	Weldment, 50" Mower Deck
54	33927	1	Decal, Danger Foot
55	126419	3	Bolt, 3/8-16x2 Rd Hd Sq Nk
56	126227	2	Bolt, Carriage 3/8-16x.75
57	126358	8	Bolt, Carriage 5/16-18x1.00
58	40193	2	Bolt, Hex 5/16-18x3.50
59	180175	2	Bolt, Hex 1/2-13x1.25
60	120396	4	Washer, Flat .531x1.062x.095
61	180193	4	Bolt, Hex 1/2-13x3.75
62	126216	6	Bolt, Carriage 5/16-18x.75
NS	10967	1	Baffle

40" & 50" Mower Drive



40" & 50" Mower Drive

ITEM NO.	PART NO.	QTY.	DESCRIPTION
1	45954	AR	Yoke
2	19074	1	Shaft, Prop. Sq. Bar
3	411027	1	Fitting, Lube 1/4-28
4	180044	1	Bolt, Hex 1/4-20x2
5	13518	1	U-Joint, Female End
6	46086	AR	Yoke(Neapco)
	46087	AR	Yoke(Roscommon)
7	12134	1	Kit, Repair U-Joint (Rock. Std.)
	24560	1	Kit, Repair U-Joint (Neapco)
8	419454	1	Nut, Lock 1/4-20
9	14642	1	Ring, Retaining 1.000 Shaft
10	31412	1	Shaft, Drive
11	14641	1	Spacer
12	14646	1	Seal, Oil 1.250x1.987x.250
13	14640	1	Assembly, Bearing 1.000x1.980x1.243
14	180016	4	Bolt, Hex 1/4-20x.50
15	120380	4	Washer, Lock 1/4 Reg.
16	45588	1	Shaft, Pinion Gear
17	10982	1	Cover, Gear Housing
18	11231	1	Gasket, Gear Housing
19	14636	1	Casting, Gear Box
20	14644	1	Assembly, Bearing .750x1.781x1.499
21	45587	1	Gear, Bevel
22	456007	1	Nut, Lock 3/4-10
23	31410	1	Assembly, Drive
24	34429	1(40")	Belt, 40" Mower (114.8 Long)
	11216	1(50")	Belt, V .500x.312x126.3
25	45632	1	Support, Gear Housing
26	120384	3	Washer, Lock 1/2 Reg.
27	180173	3	Bolt, Hex 1/2-13x1
28	14645	1	Seal, Oil 1.250x1.686x.313
29	431787	1	Key, Woodruff .188x.625 Hard #61
30	14660	1	Sheave, 1/2x6.50
31	20444	1	Spring, Comp.
32	10174	2	Bushing, Nylon .760x1.000x.600
33	34120	1	Arm, Idler Pivot
34	34119	1	Spacer
35	14672	1	Spacer, Idler .406x.750x.188
36	456004	14	Nut, Lock 3/8-16
37	21060	2	Sheave, Idler
38	180130	2(40") 1(50")	Bolt, Hex 3/8-16x2.00
39	120388	1	Washer, Flat .438x1.000x.083
40	120369	2	Nut, Hex 3/8-24

40" & 50" Mower Drive

ITEM NO.	PART NO.	QTY.	DESCRIPTION
41	180177	1(40")	Bolt, Hex 1/2-13x1.50
	180176	1(50")	Bolt, Hex 1/2-13x1.375
42	451539	1	Nut, Jam 3/4-10 Hex Heavy
43	34431	1	Support, Spring
44	120394	1	Washer, Flat .406x.812x.065
45	11779	1	Spring, Comp. 1x.78x338 Lb/In
46	435507	1	Nut, Lock 1/2-13
47	21111	1	Rod, Idler 50" Mower
	21112	1	Rod, Idler 40" Mower
48	121224	1	Pin, Cotter 3/32x1.00
49	21214	1	Fitting, Lube .125 Ext. 90 Deg.
50	126416	1	Bolt, 3/8-16x1.75 Rd Hd Sq Nk
51	126402	12	Bolt, 3/8-16x1.25 Rd Hd Sq Nk
52	411010	2	Fitting, Lube 1/8
53	418692	6	Nut, Lock 5/8-11
54	33845	3	Washer, Flat .687x1.312x.122/.146
55	34428	3	Sheave, Spindle 40" Mower
	43366	3	Sheave, Spindle 50" Mower
56	21211	2	Seal, Steel
57	20743	2	Washer, Flat .975x1.970x.030
58	38199	2	Assembly, Bearing
59	21215	1	Housing, Bearing
60	21216	1	Shaft, Spindle
61	21306	3	Assembly, Spindle
62	23026	3	Weldment, Blade Cradle
63	11234	3	Blade, 50" Mower (Standard)
	38947	3	Blade, 50" Double Edge (Optional)
	14668	3	Blade, 40" Mower
64	131016	3	Washer, Flat .656x1.312x.095
NS	36799	AR	Spring
NS	36800	AR	Collar, Locking
NS	36801	AR	Ring, Snap
NS	145643	AR	Ball, Detent

NOTE: Parts shown in circle pertain to 40" mower.

SECTION 8

SETUP INSTRUCTIONS

SECTION 7

SPECIFICATIONS

	<u>40" Mower</u>	<u>50" Mower</u>	
Width of Cut:	40 in. (1016mm)	50 in. (1270mm)	
Weight:	169 lbs. (77 kg)	197 lbs. (89 kg)	
Height:	15 in. (381mm)	15 in. (381mm)	
Length:	35 in. (889mm)	35 in. (889mm)	
Width:	Chute Down Chute Up	50.5 in. (1283mm) 45.8 in. (1165mm)	62.0 in. (1575mm) 53.1 in. (1349mm)

Heights of Cut:

Position

- 1
- 2
- 3
- 4
- 5
- 6

Height of cut

- 1.5 inches (38.1mm)
- 2.0 inches (50.8mm)
- 2.5 inches (63.5mm)
- 3.0 inches (76.2mm)
- 3.5 inches (88.9mm)
- 4.0 inches (101.6mm)

Blades:	Number	3	3
	Dimensions	13.9in.(353.1mm)long .20in.(5.1mm)thick	17.0in.(431.8mm)long .20in.(5.1mm)thick
	Description	High lift, heat-treated alloy steel	

Mower Deck Construction: 10-gauge welded and bolted steel construction with a 3/16 in. (4.8 mm) thick reinforcing support plate

Spindle Assemblies: 1 in. (25 mm) diameter spindle shafts, turning on tapered roller bearings, mounted in cast-iron spindle housings

Discharge: Right side, folding discharge chute

SECTION

ITEM NO.	PART NO.	DESCRIPTION	QUANTITY
1	1001	40" Mower Drive	1
2	1002	40" Mower Drive	1
3	1003	40" Mower Drive	1
4	1004	40" Mower Drive	1
5	1005	40" Mower Drive	1
6	1006	40" Mower Drive	1
7	1007	40" Mower Drive	1
8	1008	40" Mower Drive	1
9	1009	40" Mower Drive	1
10	1010	40" Mower Drive	1

Drive: Telescoping universal joint from PTO to right angle, aluminum alloy gearbox with bevel gears and tapered roller bearings. Spindles are driven by adjustable, spring-tensioned "A" section V-belt.

Tires: **Size** 6 x 2
Description Semi-pneumatic with 3/4 in. (19mm) ball bearings and grease fittings.

SECTION 8

SET-UP INSTRUCTIONS

8.1 **Remove the mower from the shipping container.**

8.2 **Axle Pivot Weldment Installation:**

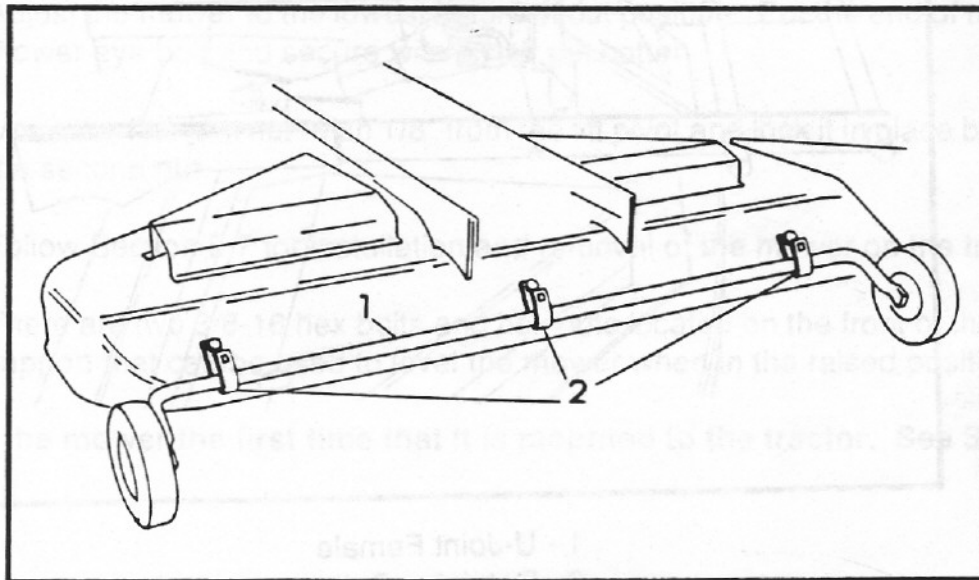
1. Put the axle pivot weldment in position in the axle support brackets. See Figure 5.
2. Put a nylon stop in each axle support bracket with the curved end against the axle pivot weldment. Secure the nylon stops with 3/8-16x2" carriage bolts from under the deck and 3/8-16 lock nuts.
3. Put a .125x1.25 cotter pin through the hole in the right end of the axle pivot weldment.

8.3 **Height Of Cut Lever Installation:**

Put the height of cut lever in position on the axle pivot weldment. Secure with a 3/8 bolt from the front side and 3/8 lock nut. See Figure 6. Install the spring from the axle pivot weldment to the height of cut lever.

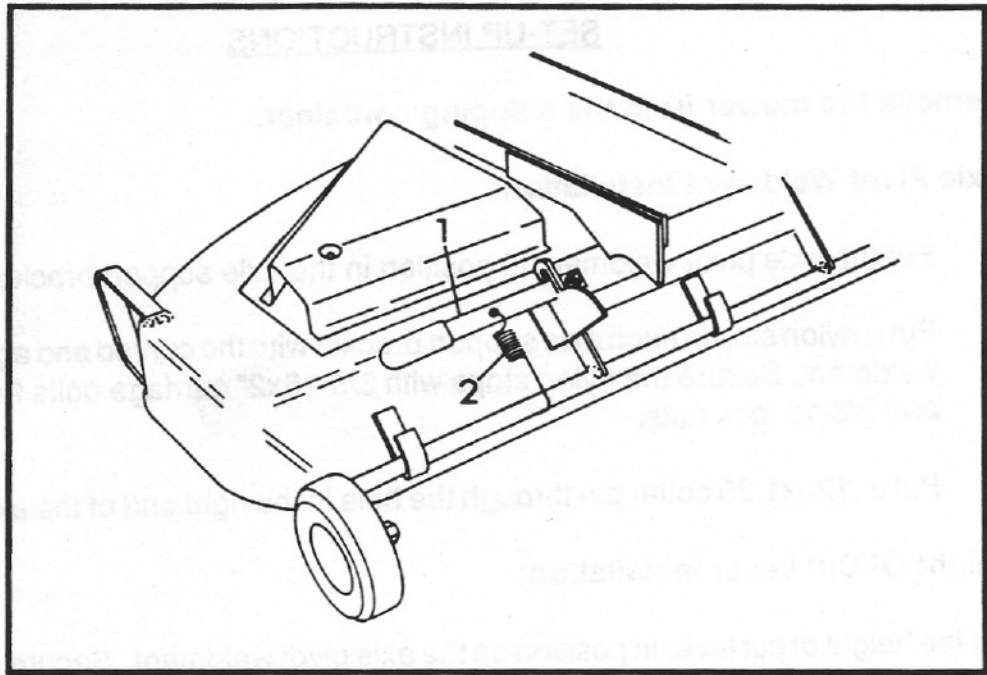
8.4 **U-Joint Drive Assembly Installation:**

If the mower is to be used on an 8000 Series long frame tractor, the universal joint drive assembly is positioned in the hole nearest the end of the gear box shaft. If the mower is to be used on an 800 Series, 8000 Series short frame, Professional 4-Wheel (G Series) tractor or two-wheel tractor, the universal joint drive is positioned in the hole nearest the gearbox. See Figure 7.



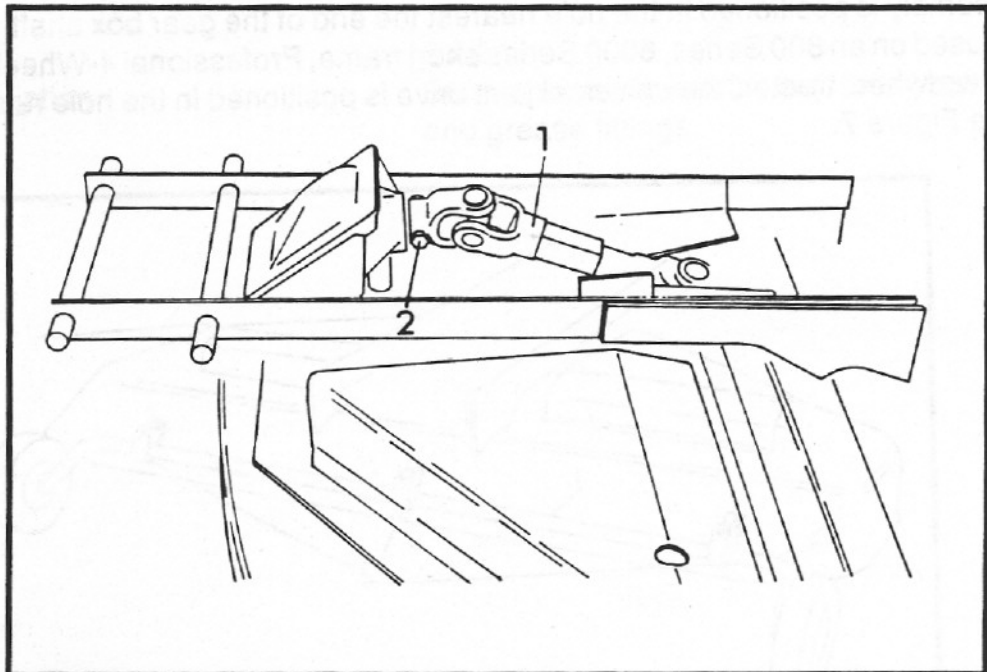
- 1 - Axle
2 - Axle Support Bracket

FIGURE 5



- 1 - Height Adjustment Lever
- 2 - Spring

FIGURE 6



- 1 - U-Joint Female
- 2 - Retaining Bolt

FIGURE 7

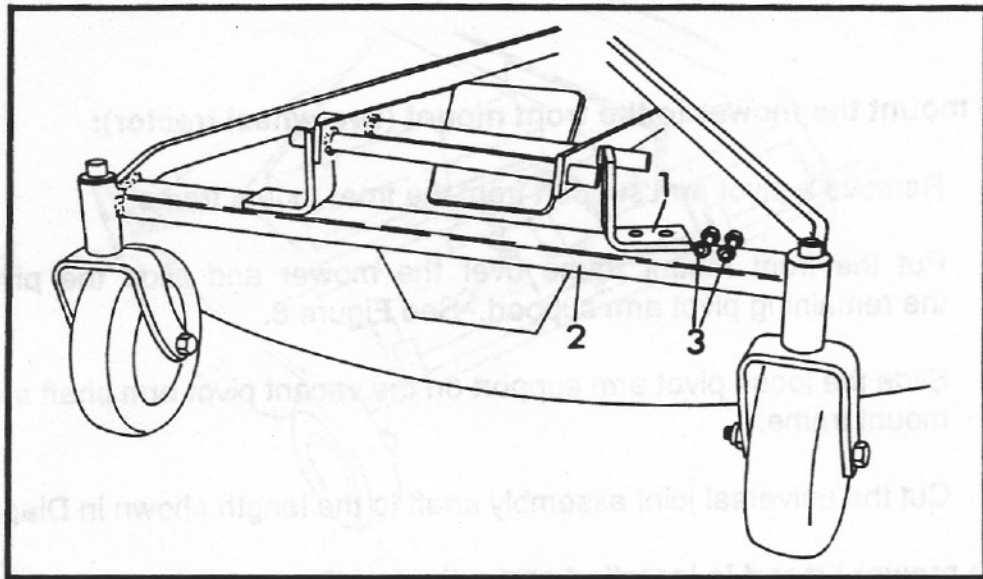
8.5 To mount the mower to the front mount (two-wheel tractor):

1. Remove a pivot arm support from the front mount frame.
2. Put the front mount frame over the mower and slide the pivot arm shaft into the remaining pivot arm support. See Figure 8.
3. Slide the loose pivot arm support on the vacant pivot arm shaft and bolt to the front mount frame.
4. Cut the universal joint assembly shaft to the length shown in Diagram 4.

8.6 The mower lift rod is installed and adjusted the first time the mower is mounted on the four-wheel tractor.

1. Put the lift pivot on the lift rod followed by two jam nuts. Leave the nuts loose for adjustment. See Diagram 5.
2. See Section 3.7. Secure the mower in the latch plates.
3. Lower the attachment lift. Install the lift pivot in the lift arm as shown in Diagram 5. Use the second hole in the end of the lift arm when mounting on the long frame tractor.
4. Adjust the mower to the lowest height of cut position. Put the end of the lift rod in the mower eye bolt and secure with a hair pin cotter.
5. Move the first jam nut to an 1/8" from the lift pivot and lock it in place by jamming with the second nut.
6. Follow Section 3.7 for installation and removal of the mower on the tractor.
7. There are two 3/8-16 hex bolts and hex nuts located on the front of the gear housing support that can be used to level the mower when in the raised position.

8.7 Level the mower the first time that it is mounted to the tractor. See Section 3.8.



- 1 - Pivot Arm Support
- 2 - Front Mount Frame
- 3 - Retaining Bolts

FIGURE 8

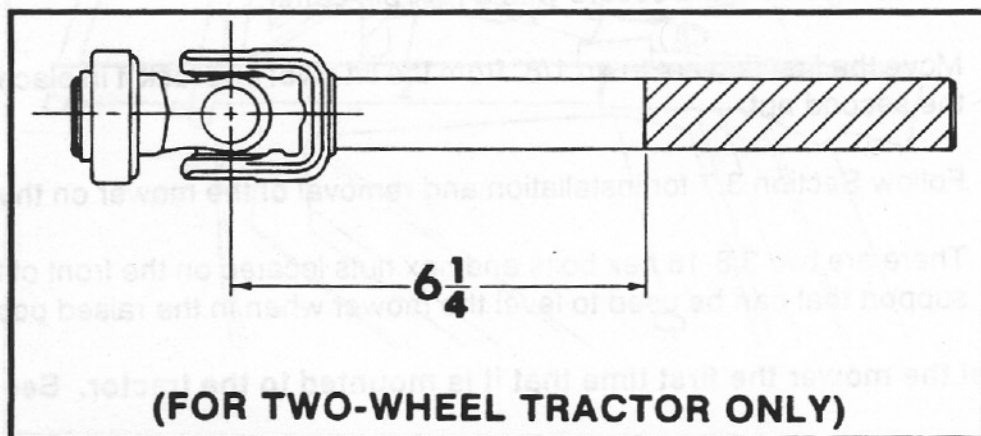
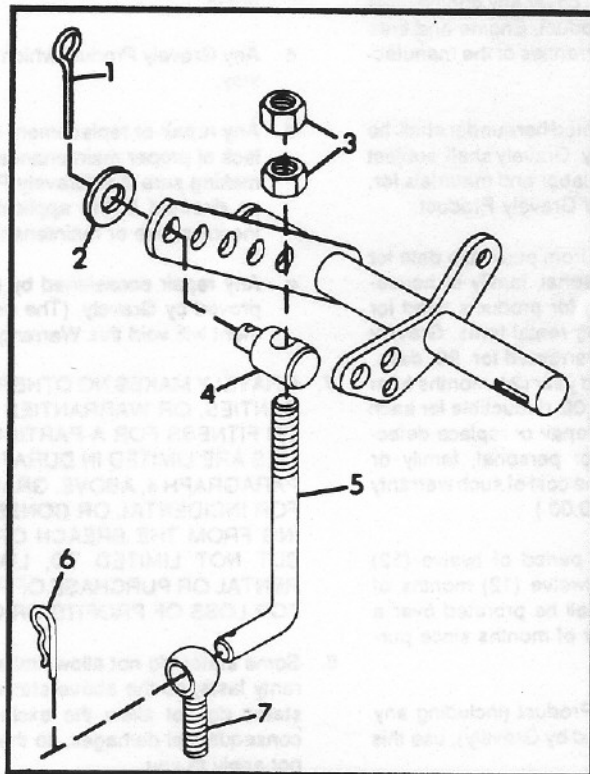


DIAGRAM 4



- 1 - Cotter Pin
- 2 - Washer
- 3 - Jam Nuts
- 4 - Mower Lift Pivot
- 5 - Lift Rod
- 6 - Hair Pin Cotter
- 7 - Eye Bolt

DIAGRAM 5

SECTION 9

LIMITED FIVE-YEAR WARRANTY

1. This Limited Five-Year Warranty is issued by Gravely International, Inc., only to the original purchaser. If Gravely equipment is leased by Gravely, this Warranty shall extend also to the original lessee as if such lessee were the original purchaser.
2. Gravely warrants that all new equipment manufactured by Gravely ("Gravely Products") shall be free of defects in material and workmanship for the term described in paragraph 4, below. Except as hereinafter provided, this Warranty does not cover any engine, tires or battery forming a part of the Gravely Product. Engine and tires are covered by and subject to separate warranties of the manufacturers thereof.
3. In the event that any Gravely Product warranted hereunder shall be defective or fail to conform with this Warranty, Gravely shall, subject to the provisions hereof, pay for, or provide labor and materials for, the repair or replacement of such defective Gravely Product.
4. This Warranty is for five years (60 months) from purchase date for Gravely Products used exclusively for personal, family or household purposes, and two years (24 months) for products used for other purposes (commercial use), excluding rental firms. Gravely products used for rental purposes will be warranted for 90 days. Repair of Gravely Products after the second year (24 months from date of purchase) shall be subject to a \$50.00 deductible for each repair. (After two years, Gravely agrees to repair or replace defective Gravely Products used exclusively for personal, family or household purposes only to the extent that the cost of such warranty covered repair or replacement exceeds \$50.00.)

Batteries are warranted by Gravely for a period of twelve (12) months only. If a battery shall fail within twelve (12) months of purchase, the replacement cost thereof shall be prorated over a twelve-month term based upon the number of months since purchase.
5. To obtain Warranty Service on a Gravely Product (including any battery or other component not manufactured by Gravely), use this procedure:
 - a. Notify the Gravely dealer from whom you purchased the equipment.
 - b. If you have moved and it is not convenient to notify the selling dealer, notify the nearest Gravely dealer. You should supply this dealer with a copy of the bill of sale as proof of the date of purchase.
 - c. Make arrangements to have the equipment delivered to the dealer (refer to paragraph 6 a., below).
 - d. If you have any questions concerning the Gravely Limited Warranty, they should be referred to:

Gravely International, Inc.
One Gravely Lane
Clemmons, NC 27012
Attn: Customer Service Department
 - e. Warranty Service on Gravely Products must be performed by an authorized Gravely dealer.
6. This Warranty does not cover the following:
 - a. Transportation to the Gravely dealership. (If the Gravely dealer provides transportation, he will charge for such service.)
 - b. Normal maintenance services and normal replacement of items such as spark plugs, belts, oil, oil filters, air filters, and mower, plow or cultivator blades, gauge wheels, skids and other wear items.
 - c. Any Gravely Product which has been altered or modified in any way.
 - d. Any repair or replacement occasioned by customer neglect or lack of proper maintenance. (The purchaser is responsible for making sure that Gravely Products are operated and serviced as directed in the applicable manual or service instruction. Incorrect use or maintenance will void this Warranty.
 - e. Any repair occasioned by the use of any attachment not approved by Gravely. (The use of any such unapproved attachment will void this Warranty.)
7. GRAVELY MAKES NO OTHER EXPRESSED OR IMPLIED WARRANTIES, OR WARRANTIES AS TO THE MERCHANTABILITY OR FITNESS FOR A PARTICULAR PURPOSE. ALL WARRANTIES ARE LIMITED IN DURATION TO THE TERMS SET OUT IN PARAGRAPH 4, ABOVE. GRAVELY SHALL HAVE NO LIABILITY FOR INCIDENTAL OR CONSEQUENTIAL DAMAGES RESULTING FROM THE BREACH OF ANY WARRANTY, INCLUDING, BUT NOT LIMITED TO, LIABILITY FOR INCONVENIENCE, RENTAL OR PURCHASE OF REPLACEMENT EQUIPMENT, OR FOR LOSS OF PROFITS OR OTHER COMMERCIAL LOSS.
8. Some states do not allow limitations on how long an implied warranty lasts, so the above statement may not apply to you. Some states do not allow the exclusion or limitation of incidental or consequential damages, so the above limitation or exclusion may not apply to you.
9. This Warranty gives you specific legal rights, and you may have other rights which vary from state to state.
10. A Gravely product registration card is supplied with each Gravely Product. Please complete the card and return it to Gravely at the address listed on the card. The equipment registration card will be used by Gravely for:
 - a. Recording date of purchase.
 - b. Notification of owners in compliance with the Consumer Product Safety Act, should any notification be necessary.The return of such card is necessary for your warranty to be effective.
11. This Warranty is not subject to change or modification by anyone, including Gravely dealers and no Gravely dealer is authorized to make any representations or promises on Gravely's behalf.

GRAVELY.

One Gravely Lane, Clemmons, NC 27012