

40" ROTARY MOWER
&
50" ROTARY MOWER
OPERATORS MANUAL



FORM NO: 38722 (9-84)

PART NO: 38685 - 40"
PART NO: 38684 - 50"

PRINTED IN USA

NOTE

Read this manual carefully and learn to operate and service your 40"/50" Rotary Mower before using it.

To keep the warranty, the 40"/50" Rotary Mower must be maintained and operated as directed in this manual.

All references to "left-side", "right-side", "front", and "back" are given from the operator's position.



Look for this symbol to point out important safety precautions. It means -- ATTENTION! BECOME ALERT! YOUR SAFETY IS INVOLVED.

CONTENTS

1. INSTRUCTIONS FOR SAFE OPERATION
2. OPERATING INSTRUCTIONS
3. SERVICE INSTRUCTIONS
4. STORAGE
5. SOLVING PROBLEMS
6. ILLUSTRATED PARTS AND PARTS LIST
7. SPECIFICATIONS
8. SET-UP INSTRUCTIONS
9. WARRANTY

SECTION 1

Instructions for Safe Operation

Improper use of this equipment can injure people and damage the equipment. People using or servicing this equipment must read and follow the instructions in this manual.

It is important to understand that this manual and any other Gravely instruction manuals do not cover every possible danger. It is impossible for Gravely to know all possible dangers in operating and servicing the equipment.

The purchaser must give these instructions to the people operating and maintaining this equipment. These people must use eye and foot protection.

1.1 Preparation:

1. Read this manual and the tractor manual carefully.
2. Learn the location and function of all controls.
3. Learn how to use the controls to stop the wheels and mower quickly.
4. Use caution with gasoline. Gasoline is very flammable. Keep it in a clean and tight container away from flames or hot items. Never put gasoline in the fuel tank while the engine is running or hot. Clean up spilled gasoline before starting engine.
5. Be certain that all shields, guards, and interlock switches are in the correct positions.
6. Never permit children to operate the tractor and mower.
7. Inspect area to be mowed and remove all material which could be thrown by the mower.
8. Before starting the engine, put the PTO control lever in the "OFF" position and the gear shift lever in the neutral "N" position.
9. When hauling the equipment, connect the chassis to the transporting vehicle. Never connect from control levers, rods, or like items that could be damaged.
10. Replace all parts that become damaged or lost.

1.2 Operation:

1. Wear foot and eye protection. Do not wear loose clothing.
2. Do not use the equipment in the dark without adequate lighting.
3. Keep the equipment in good condition. Maintain it as directed in this manual.
4. USE ONLY GRAVELY ACCESSORIES AND ATTACHMENTS.
5. Do not overspeed the engine. Do not override the governor.
6. Keep away from moving parts.
7. Keep people and animals away from the operating area.
8. Do not let people other than the operator near the operating equipment.
9. Use a slow speed and engage the direction control lever slowly when operating on slopes.
10. Look for and keep away from hazards.
11. After hitting an object, stop the equipment and engine. Check for damage. Repair any damage before operating.
12. Look behind when operating in reverse. Look for people and hazards.
13. Operate only from the operator's position, just behind the handlebars or on the tractor seat.
14. Travel across slopes with the walk-behind tractor. Travel up and down slope with the ride-on tractor.
15. If there is a sudden change in the sound or vibration of the equipment, stop the engine and check for damage. Repair any damage or failure before continuing operation.
16. Never run the engine indoors except to move it outside. Exhaust fumes are dangerous.
17. Go slowly on slick surfaces.
18. Follow traffic laws when operating on or near a road.
19. Before making adjustments or servicing, move the PTO to "OFF," turn the ignition switch to "OFF," and wait until all moving parts completely stop.
20. Before leaving the operator's position, put the PTO lever in the "OFF" position, turn the ignition key to the "OFF" position. Move the direction control lever to forward position (walk-behind tractor). Set the brake lock for parking (ride-on tractor).

SECTION 2

Operating Instructions

- 2.1 Transport the equipment to the area to be mowed.
- 2.2 Inspect the area to be mowed and remove all material which could be thrown by the mower.
- 2.3 Plan the pattern for cutting the grass. Generally an area is mowed around the periphery towards the center by discharging the grass toward the center on the first pass. The remainder of the mowing is done discharging the grass outward in the area which has been cut.
- 2.4 See Section 7 for the schedule of heights of cut. Set the mower for the height of cut desired.
- 2.5 See the tractor manual for correct operation of the PTO. Start the engine and put the PTO Control in the "ON" position. Move the throttle control to the "FAST" position.
- 2.6 Select a slow gear. Engage the forward clutch. Control the ground speed by selecting the desired gear.

SECTION 3

Service Instructions

3.1 Lubrication:

1. Every eight hours of operation apply multi-purpose grease to the lube fittings on:
 - a. Each spindle (3)
 - b. Each gauge wheel (2)
 - c. Drive shaft
 - d. Front mount--quick hitch pin
 - each caster wheel (2)
 - each caster fork (2)
2. Gear Box: Once a year or every 200 hours of operation, check the lubricant by removing the cover. Clean the top of the gear box and carefully remove the cover. Replace the gasket if damaged. Keep the gear box 3/4 full of grease.

3.2 Blade Service:

1. Every ten hours of operation or when the cut is poor visually, check the blades for sharpness.
2. Remove the mower from the tractor. See Sections 3.6 and 3.7.
3. Turn the mower upside down.
4. Block the blades and remove the nuts and flat washers from the spindle.
5. Sharpen and balance the blade.
6. Reverse the removal process to install the blades on mower and the mower on the tractor.
7. Replace the blades when over 1/2" has been removed or the blade cannot be balanced.

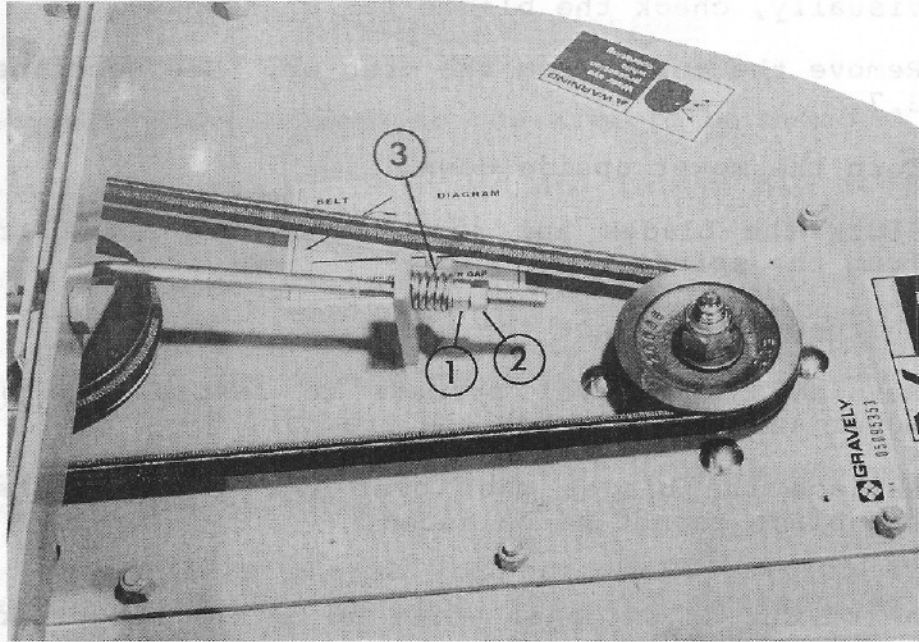
3.3 Height of Cut Adjustment: Lift up on the height adjustment lever and rotate the axle pivot weldment until the lever registers with the slot corresponding to the desired height of cut. The lowest cut position is when the lever is nearest the deck.

3.4 Belt Adjustment:

1. Remove the right belt cover.
2. Unlock the adjusting nuts. See Figure 1.
3. Rotate the inside nut until the air gap in the spring is .010" to .015" (.25mm to .38mm).
4. Jam the adjusting nuts.
5. Install the belt cover.

3.5 Belt Replacement:

1. Remove the mower from the tractor.
2. Remove the belt covers.
3. Loosen the spring tension on the belt.
4. Remove the gear housing support.
5. Remove the belt.
6. Put the new belt in position on the sheaves. See Diagram 1.
7. Mount the gear housing support.



- 1 - Adjusting Nut
- 2 - Jam Nut
- 3 - Spring

84019

FIGURE 1

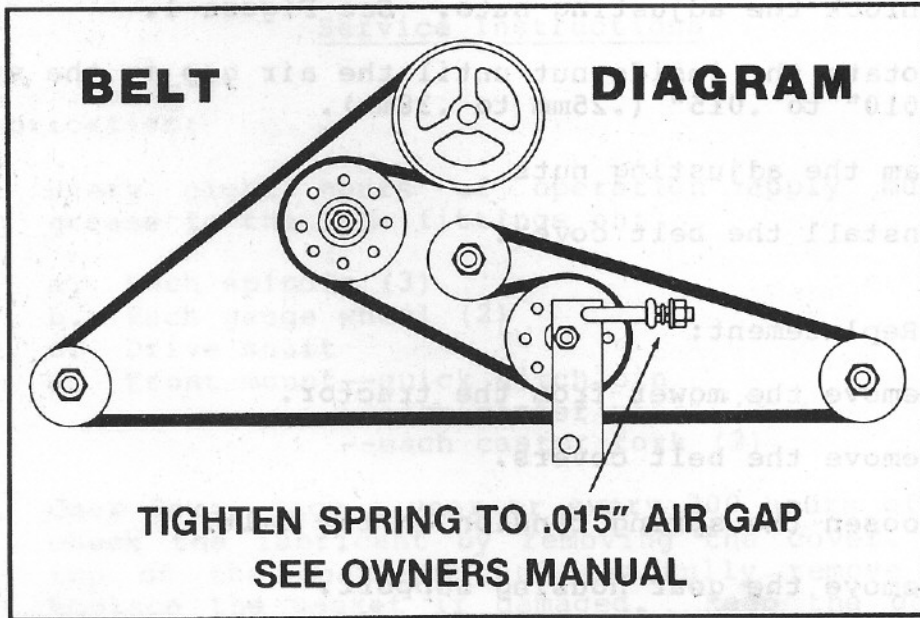


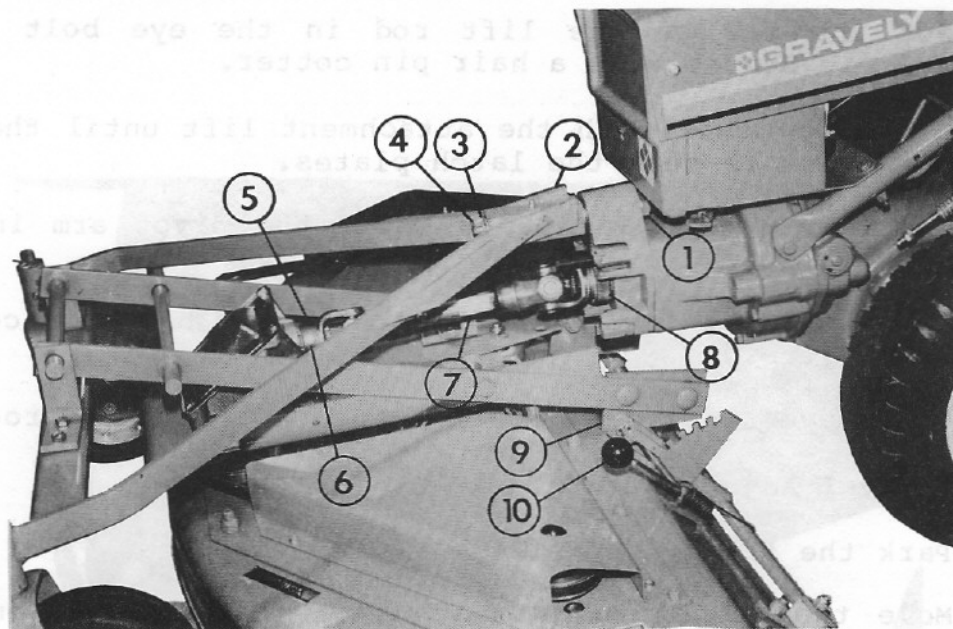
DIAGRAM 1

84020

8. Adjust the belt tension.
9. Install the belt covers.
10. Mount the mower on the tractor.

3.6 Mower Installation on the Two-Wheel Tractor:

1. Put a film of grease on the quick hitch pin. See Figure 2.
2. Slide the pivot support onto the quick hitch pin and retain with a flat washer and klik pin.
3. Put a film of grease on the shaft of the universal drive assembly. Slide the shaft into the tube of universal joint (female) assembly.
4. Pull (or rotate) the locking collar toward the U-joint and slide onto the tractor PTO shaft. Release the locking collar. Pull on the drive to make sure that the drive has locked in place.
5. To remove the mower, reverse the steps above.



84021

- | | |
|---------------------|------------------------------|
| 1 - Quick Hitch Pin | 6 - U-Joint Retaining Bolt |
| 2 - Pivot Support | 7 - U-Joint Male |
| 3 - Flat Washer | 8 - Locking Collar |
| 4 - "Klik" Pin | 9 - Adjusting Cam |
| 5 - U-Joint Female | 10 - Height Adjustment Lever |

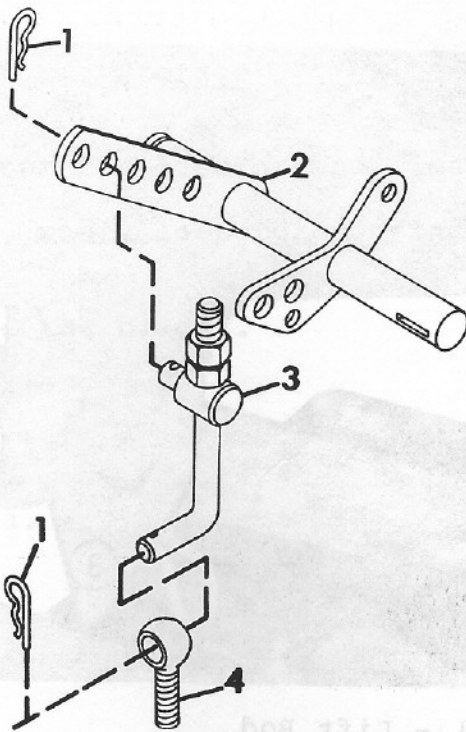
FIGURE 2

3.7 Mower Installation on the Four-Wheel Tractor:

1. Install the lift rod on the tractor as shown in Diagram 2. Use the first hole in the end of the lift arm when mounting on a long frame tractor.
2. Put a film of grease on the shaft of the universal joint (male) assembly. Slide the shaft into the tube of the universal joint (female) assembly.
3. Put the height adjustment lever in the lowest cut position (near deck).
4. Position the tractor with the front wheels behind the mower.
5. Roll the front of the tractor over the mower. Be careful that the tire does not roll over the height adjustment lever. See Figure 3.
6. Put a film of grease on the PTO shaft.
7. Unlock the universal joint drive assembly locking collar by rotating or pulling toward the drive assembly. Slide the drive assembly on the PTO shaft and release the locking collar. Pull on the drive assembly to make sure it is locked on the PTO shaft.
8. Lower the attachment lift.
9. Put the end of the lift rod in the eye bolt on the mower. Secure with a hair pin cotter.
10. Lift the mower with the attachment lift until the mower pivot arm is near the latch plates.
11. Open the latch plates and swing the pivot arm into the slots.
12. Close the latch plates and secure with hair pin cotters. See Figure 4.
13. To remove the mower, reverse the installation procedure.

3.8 Mower Level Adjustment:

1. Park the tractor on a level, paved surface.
2. Move the height adjustment lever to the position where the mower will be used.
3. Loosen the bolts which attach the adjustment plates.
4. Block the front of the mower so that it is level. See Diagram 3.
5. Push the adjustment plates down tight against the axle pivot. Tighten the bolts.



84022

- 1 - Hair Pin Cotter
- 2 - Lift Lever Weldment
- 3 - Mower Lift Pivot
- 4 - Eye Bolt

DIAGRAM 2

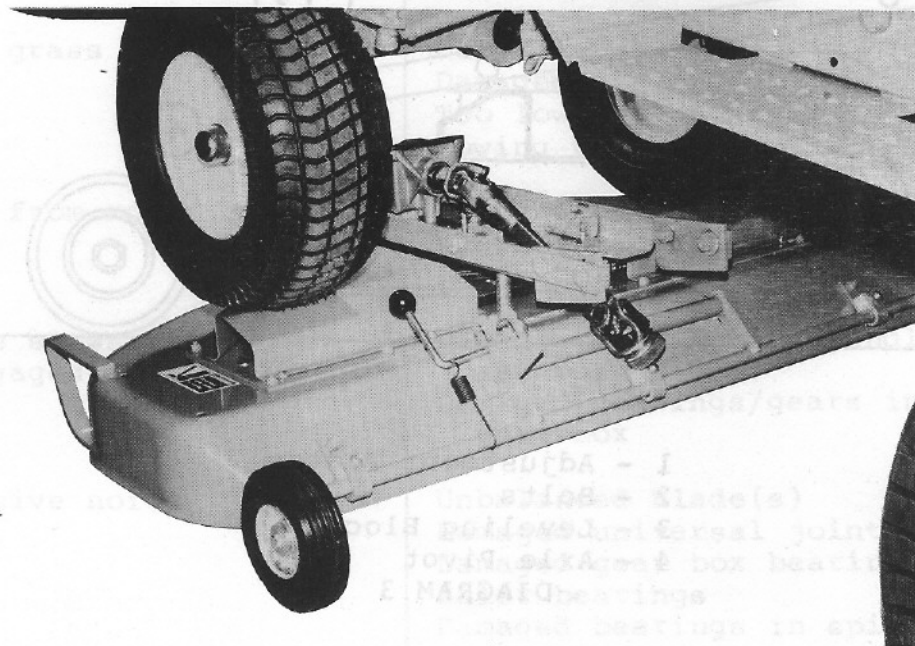
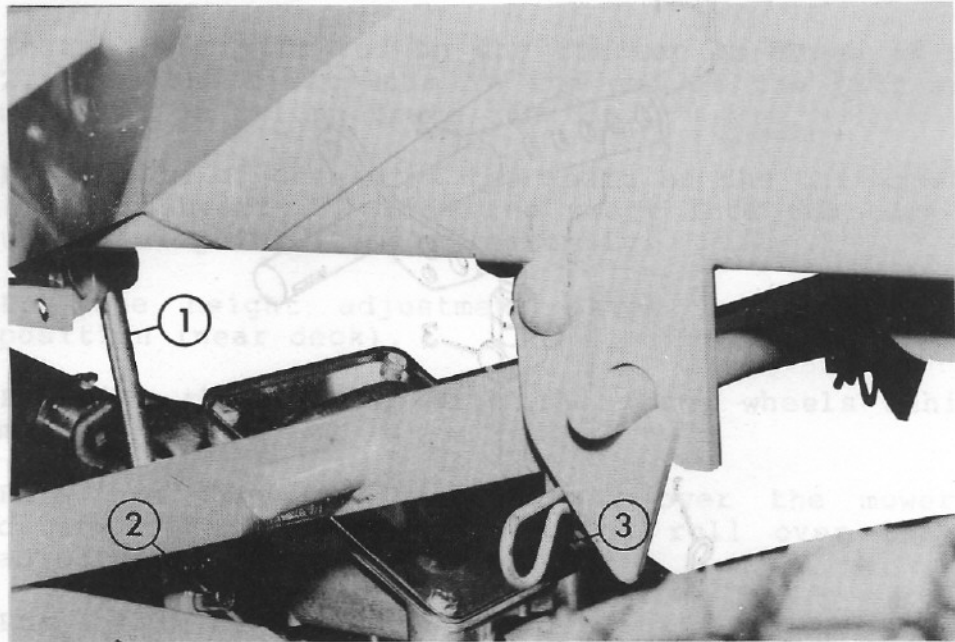


FIGURE 3

84023

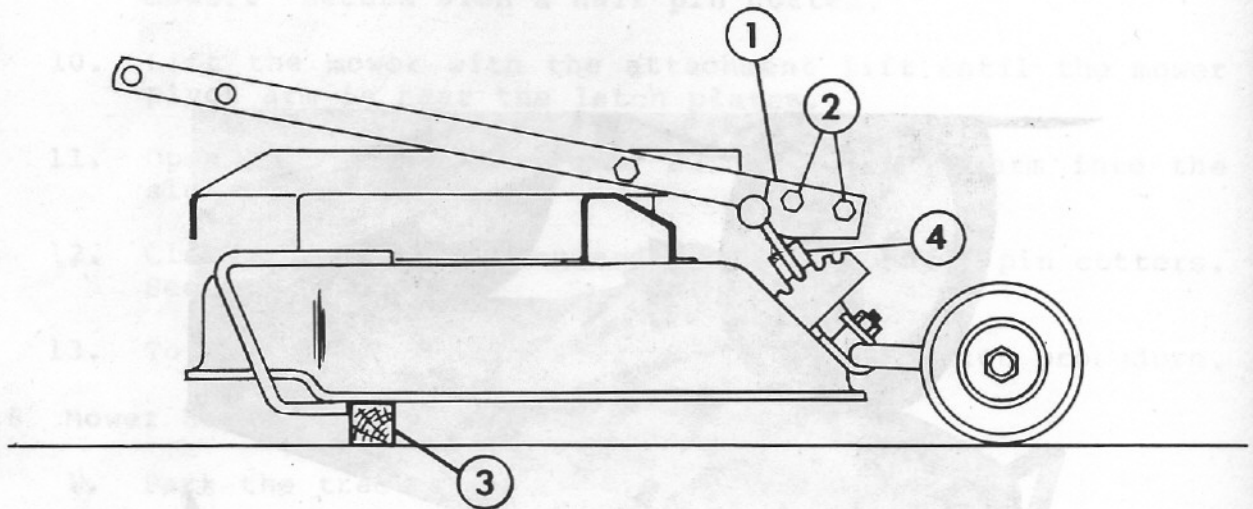
3.7 Mower Installation on the Four-Wheel Drive



- 1 - Lift Rod
- 2 - Hair Pin Cotter
- 3 - Large Hair Pin Cotter

84024

FIGURE 4



- 1 - Adjustment Plates
- 2 - Bolts
- 3 - Leveling Blocks
- 4 - Axle Pivot

84031

DIAGRAM 3

SECTION 4

Storage

- 4.1 Remove the mower from the tractor and clean.
- 4.2 Inspect for damage, wear, loose or missing hardware. Repair as needed.
- 4.3 Sharpen and balance the blades.
- 4.4 Lubricate.
- 4.5 Paint any bare areas.
- 4.6 Place in a dry area.

SECTION 5

Solving Problems

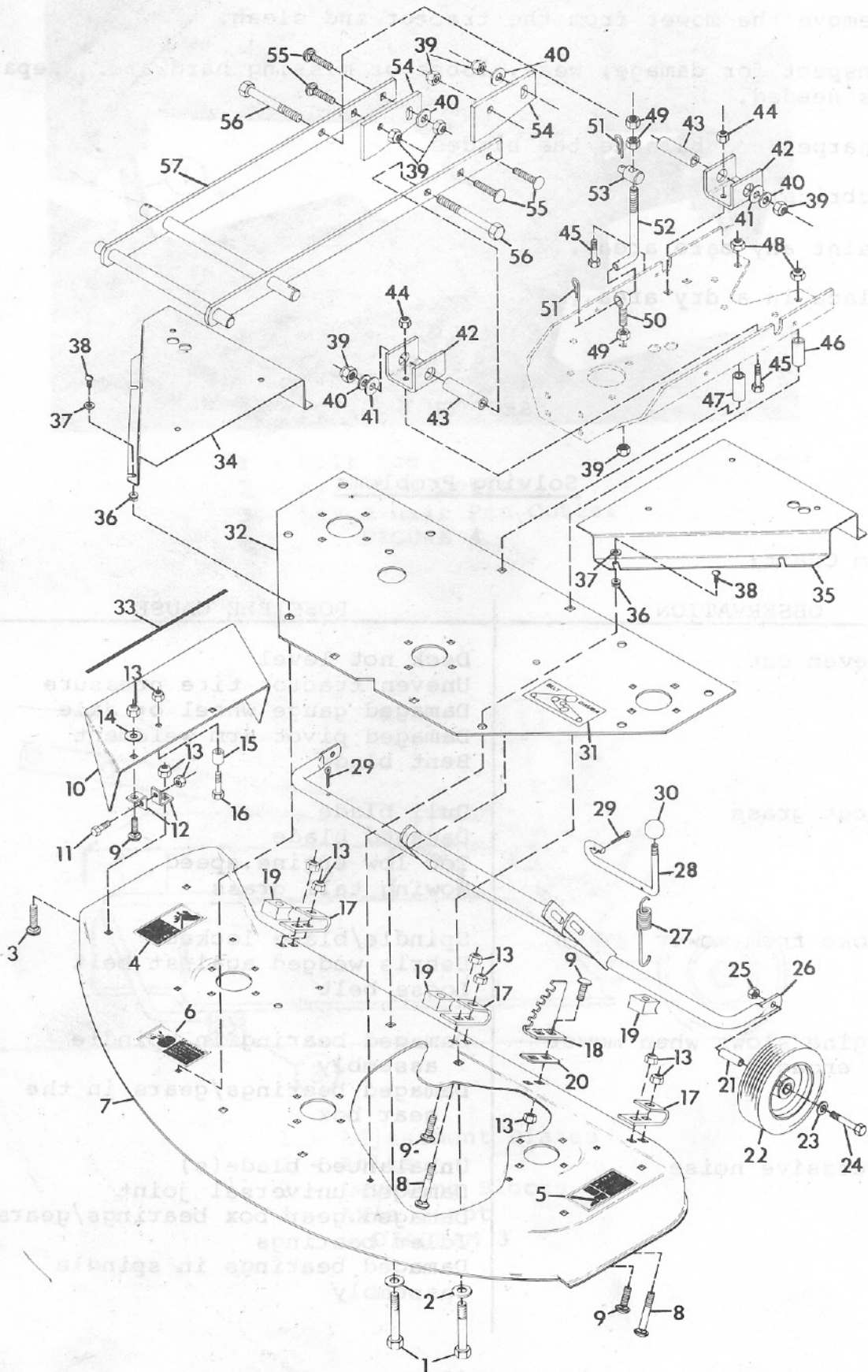
Problem Chart:

OBSERVATION	POSSIBLE CAUSE
1. Uneven cut	Deck not level Uneven tractor tire pressure Damaged gauge wheel or axle Damaged pivot arm weldment Bent blade
2. Uncut grass	Dull blade Damaged blade Too low engine speed Mowing tall grass
3. Smoke from mower	Spindle/blade locked Debris wedged against belt Loose belt
4. Engine slows when mower is engaged	Damaged bearing in spindle assembly Damaged bearings/gears in the gear box
5. Excessive noise	Unbalanced blade(s) Damaged universal joint Damaged gear box bearings/gears Idler bearings Damaged bearings in spindle assembly

SECTION 6

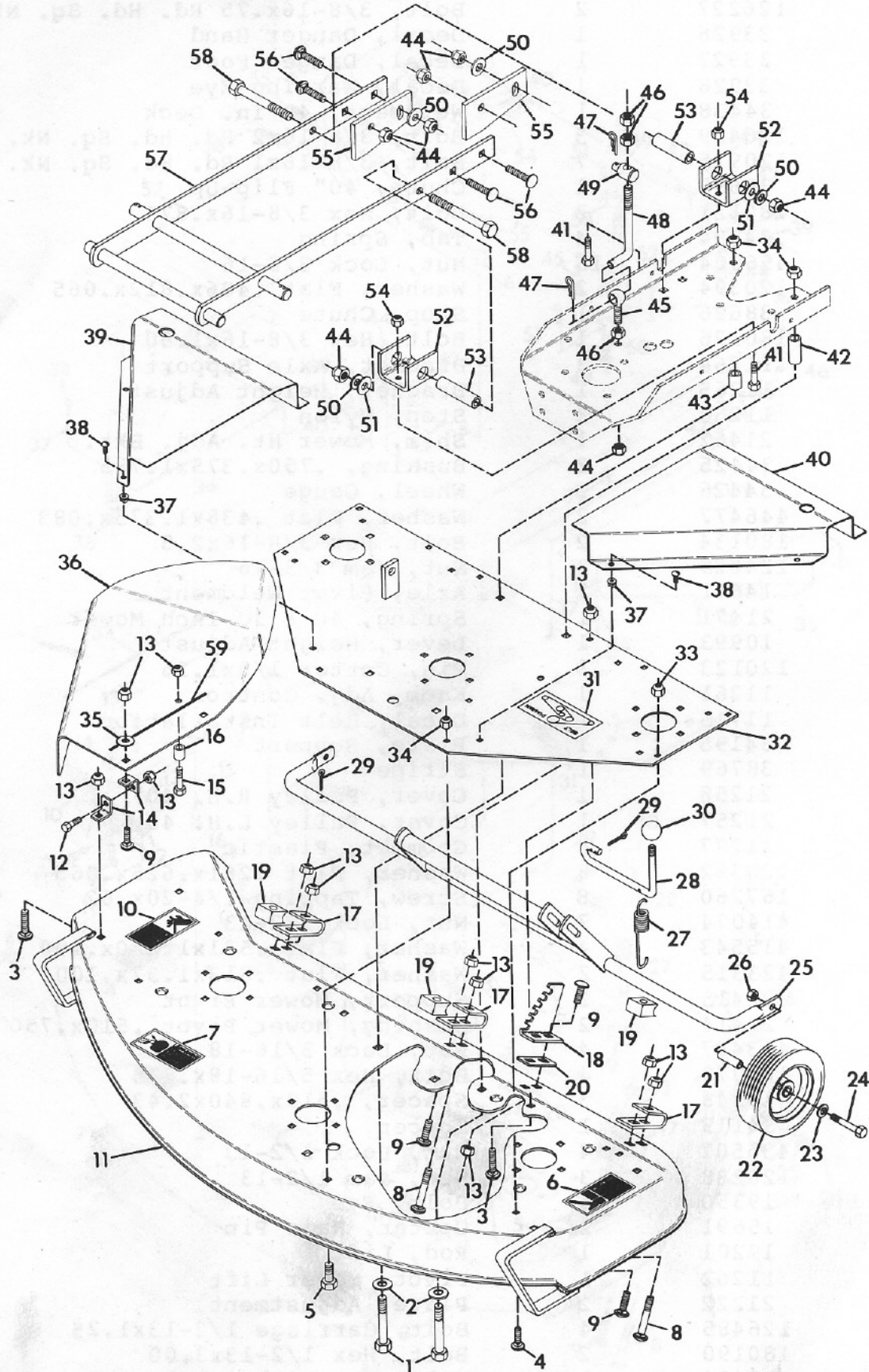
Illustrated Parts and Parts List

40" MOWER DECK ASSEMBLY



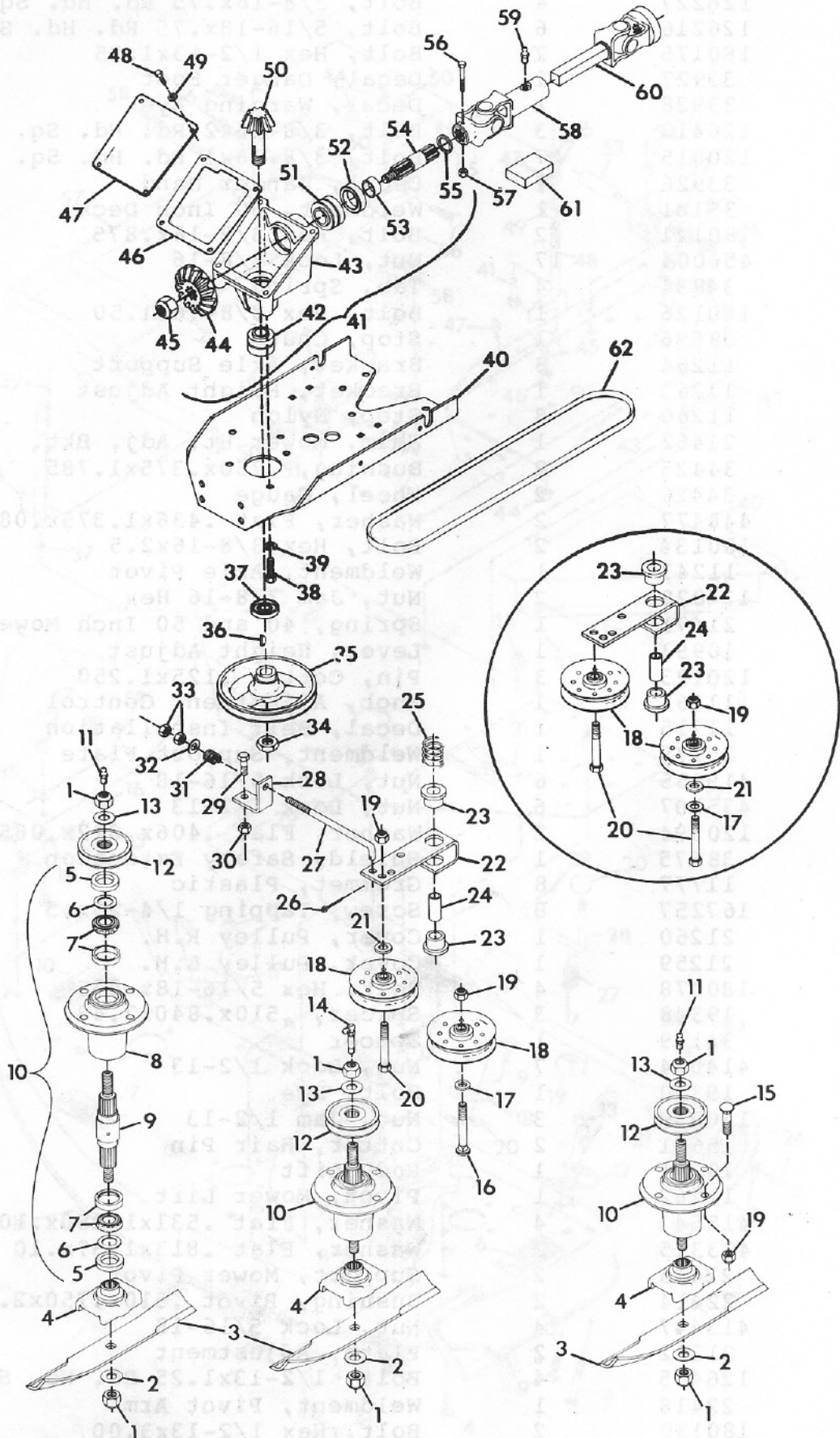
ITEM NO.	PART NO.	QTY.	DESCRIPTION
1	180193	4	Bolt, Hex 1/2-13x3.75
2	120396	4	Washer, Flat .531x1.062x.095
3	126227	2	Bolt, 3/8-16x.75 Rd. Hd. Sq. Nk.
4	33926	1	Decal, Danger Hand
5	33927	1	Decal, Danger Foot
6	33928	1	Decal, Warning Eye
7	34438	1	Weldment, 40 in. Deck
8	126419	3	Bolt, 3/8-16x2 Rd. Hd. Sq. Nk.
9	120915	7	Bolt, 3/8-16x1 Rd. Hd. Sq. Nk.
10	38697	1	Chute, 40" Flip-Up
11	180121	2	Bolt, Hex 3/8-16x.875
12	34894	4	Tab, Spring
13	456004	15	Nut, Lock 3/8-16
14	120394	2	Washer, Flat .406x.812x.065
15	38696	1	Stop, Chute
16	180126	1	Bolt, Hex 3/8-16x1.50
17	11264	3	Bracket, Axle Support
18	11265	1	Bracket, Height Adjust
19	11260	3	Stop, Nylon
20	21462	1	Shim, Mower Ht. Adj. Bkt.
21	34425	2	Bushing, .750x.375x1.785
22	34426	2	Wheel, Gauge
23	446477	2	Washer, Flat .438x1.375x.083
24	180134	2	Bolt, Hex 3/8-16x2.5
25	124829	2	Nut, Jam 3/8-16
26	14661	1	Axle, Pivot Weldment
27	21471	1	Spring, 40 & 50 Inch Mower
28	10993	1	Lever, Height Adjust.
29	120123	3	Pin, Cotter 1/8x1.25
30	11261	1	Knob, Adj. Control
31	11715	1	Decal, Belt Installation
32	34195	1	Plate, Support
33	38769	1	Stripe
34	21258	1	Cover, Pulley R.H. 40
35	21257	1	Cover, Pulley L.H. 40
36	11777	8	Grommet, Plastic
37	120392	8	Washer, Flat .281x.625x.065
38	167260	8	Screw, Tapping 1/4-20x.62
39	414074	7	Nut, Lock 1/2-13
40	415543	4	Washer, Flat .531x1.250x.100
41	423315	2	Washer, Flat .813x1.37x.100
42	22415	2	Support, Mower Pivot
43	22414	2	Bushing, Mower Pivot .510x.750
44	413447	4	Nut, Lock 5/16-18
45	180078	4	Bolt, Hex 5/16-18x.875
46	19348	3	Spacer, .510x.840x2.43
47	34119	1	Spacer
48	435507	4	Nut, Lock 1/2-13
49	120238	3	Nut, Jam 1/2-13
50	19350	1	Bolt, Eye
51	15691	2	Cotter, Hair Pin
52	19201	1	Rod, Lift
53	11262	1	Pivot, Mower Lift
54	21222	2	Plate, Adjustment
55	126485	4	Bolt, Carriage 1/2-13x1.25
56	180190	2	Bolt, Hex 1/2-13x3.00
57	22418	1	Weldment, Pivot Arm
NS	38056	1	Decal, America

50" MOWER DECK ASSEMBLY



ITEM NO.	PART NO.	QTY.	DESCRIPTION
1	180193	4	Bolt, Hex 1/2-13x3.75
2	120396	4	Washer, Flat .531x1.062x.095
3	126227	4	Bolt, 3/8-16x.75 Rd. Hd. Sq. Nk.
4	126216	6	Bolt, 5/16-18x.75 Rd. Hd. Sq. Nk.
5	180175	2	Bolt, Hex 1/2-13x1.25
6	33927	1	Decal, Danger Foot
7	33928	1	Decal, Warning Eye
8	126419	3	Bolt, 3/8-16x2 Rd. Hd. Sq. Nk.
9	120915	7	Bolt, 3/8-16x1 Rd. Hd. Sq. Nk.
10	33926	1	Decal, Danger Hand
11	35181	1	Weldment, 50 Inch Deck
12	180121	2	Bolt, Hex 3/8-16x.875
13	456004	17	Nut, Lock 3/8-16
14	34894	4	Tab, Spring
15	180126	1	Bolt, Hex 3/8-16x1.50
16	38696	1	Stop, Chute
17	11264	3	Bracket, Axle Support
18	11265	1	Bracket, Height Adjust
19	11260	3	Stop, Nylon
20	21462	1	Shim, Mower Ht. Adj. Bkt.
21	34425	2	Bushing, .750x.375x1.785
22	34426	2	Wheel, Gauge
23	446477	2	Washer, Flat .436x1.375x.083
24	180134	2	Bolt, Hex 3/8-16x2.5
25	11243	1	Weldment, Axle Pivot
26	124829	2	Nut, Jam 3/8-16 Hex
27	21471	1	Spring, 40 and 50 Inch Mower
28	10993	1	Lever, Height Adjust
29	120123	3	Pin, Cotter .125x1.250
30	11261	1	Knob, Adjustment Control
31	11715	1	Decal, Belt Installation
32	35179	1	Weldment, Support Plate
33	419455	6	Nut, Lock 5/16-18
34	435507	6	Nut, Lock 1/2-13
35	120394	2	Washer, Flat .406x.812x.065
36	38675	1	Shield, Safety Extension
37	11777	8	Grommet, Plastic
38	167257	8	Screw, Tapping 1/4-20x.5
39	21260	1	Cover, Pulley R.H.
40	21259	1	Cover, Pulley L.H.
41	180078	4	Bolt, Hex 5/16-18x.875
42	19348	3	Spacer, .510x.840x2.43
43	34119	1	Spacer
44	414074	7	Nut, Lock 1/2-13
45	19350	1	Bolt, Eye
46	120238	3	Nut, Jam 1/2-13
47	15691	2	Cotter, Hair Pin
48	19201	1	Rod, Lift
49	11262	1	Pivot, Mower Lift
50	415543	4	Washer, Flat .531x1.250x.100
51	423315	2	Washer, Flat .813x1.37x.10
52	22415	2	Support, Mower Pivot
53	22414	2	Bushing, Pivot .510x.750x2.020
54	413447	4	Nut, Lock 5/16-18
55	21222	2	Plate, Adjustment
56	126485	4	Bolt, 1/2-13x1.25 Rd. Hd. Sq. Nk.
57	22418	1	Weldment, Pivot Arm
58	180190	2	Bolt, Hex 1/2-13x3.00
59	38769	1	Stripe
NS	38056	1	Decal, America

MOWER DRIVE 40" & 50"



ITEM NO.	PART NO.	QTY.	DESCRIPTION
1	418692	6	Nut, Lock 5/8-11
2	131016	3	Washer, Flat .656x1.312x.095
3	11234	3	Blade, 50" Mower
	14668	3	Blade, 40" Mower
4	23026	3	Cradle, Blade
5	21211	2	Seal, Steel
6	20743	2	Washer, Flat .975x1.970x.030
7	38199	2	Assembly, Bearing
8	21215	1	Housing, Bearing
9	21216	1	Shaft, Spindle
10	21306	3	Assembly, Spindle
11	411010	2	Fitting, Lube 1/8
12	34428	3	Sheave, Spindle 40" Mower
	20065	3	Sheave, Spindle 50" Mower
13	33845	3	Washer, Flat .687x1.312x.122/.146
14	21214	1	Fitting, Lube .125 Ext. 90 Deg.
15	126402	12	Bolt 3/8-16x1.25 Rd. Hd. Sq. Nk.
16	126416	1	Bolt 3/8-16x1.75 Rd. Hd. Sq. Nk.
17	120388	1	Washer, Flat .438x1.000x.083
18	21060	2	Sheave, Idler
19	456004	14	Nut, Lock 3/8-16
20	180130	2 (40") 1 (50")	Bolt, Hex 3/8-16x2.00
21	14672	1	Spacer, Idler .406x.750x.188
22	34120	1	Arm, Idler Pivot
23	10174	2	Bushing, Nylon .760x1.000x.600
24	34119	1	Spacer
25	20444	1	Spring, Comp.
26	121224	1	Pin, Cotter 3/32x1.00
27	21111	1	Rod, Idler 50" Mower
	21112	1	Rod, Idler 40" Mower
28	34431	1	Support, Spring
29	180177	1	Bolt, Hex 1/2-13x1.50
30	435507	1	Nut, Lock 1/2-13
31	11779	1	Spring, Comp. 1x.78x338 Lb/In
32	120394	1	Washer, Flat .406x.812x.065
33	120369	2	Nut, Hex 3/8-24
34	451539	1	Nut, Jam 3/4-10 Hex Heavy
35	14660	1	Sheave, 1/2x6.50
36	431787	1	Key, Woodruff .188x.625 Hard
37	14645	1	Seal, Oil 1.250x1.686x.313
38	180173	3	Bolt, Hex 1/2-13x1
39	120384	3	Washer, Lock 1/2
40	34924	1	Support, Gear Housing
41	31410	1	Assembly, Drive
42	14644	1	Assembly, Bearing .750x1.781x1.499
43	14636	1	Casting, Gear Box
44	19607	1	Gear, Bevel
45	456007	1	Nut, Lock 3/4-10
46	11231	1	Gasket, Gear Housing
47	10982	1	Cover, Gear Housing
48	180016	4	Bolt, Hex 1/4-20x.50
49	120380	4	Washer, Lock 1/4
50	19608	1	Shaft, Gear Pinion

ITEM NO.	PART NO.	QTY.	DESCRIPTION
51	14640	1	Assy., Bearing 1.000x1.980x1.243
52	14646	1	Seal, Oil 1.250x1.987x.250
53	14641	1	Spacer
54	31412	1	Shaft, Drive
55	14642	1	Ring, Retaining 1.000 Shaft
56	180044	1	Bolt, Hex 1/4-20x2
57	419454	1	Nut, Lock 1/4-20
58	13518	1	U-Joint, Female End
59	411027	1	Fitting, Lube 1/4-28
60	19074	1	Shaft, Prop. Sq. Bar
61	12134	1	Kit, Repair Univ. Jt. Rock. Std.
	24560	1	Kit, Repair Univ. Jt. (Neapco)
62	34429	1	Belt, 40" Mower
	11216	1	Belt, V .500x.312x126.3

NOTE: Parts shown in circle pertain to 40" Mower.
Item Numbers 28, 29, and 30 pertain to 50" Mower only.

SECTION 7

Specifications

<u>ITEM</u>	<u>40" MOWER</u>	<u>50" MOWER</u>
Width of Cut:	40" (1016mm)	50" (1270mm)
Heights of Cut:	1.5" (38mm)	
	2.0" (51mm)	
	2.5" (64mm)	
	3.0" (76mm)	
	3.5" (89mm)	
	4.0" (102mm)	
Number of Spindles/Blades:	3	3
Weight:	207 lb. (93.8kg)	263 lb. (119.3kg)
Width:	50.5" (1283mm)	62" (1575mm)
Height:	15" (381mm)	15" (381mm)
Length:	35" (889mm)	35" (889mm)

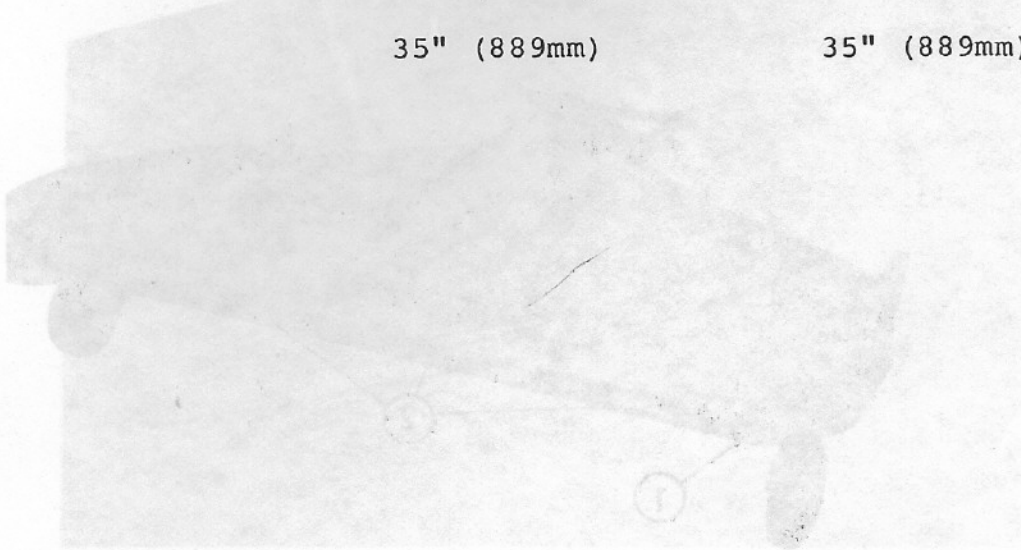
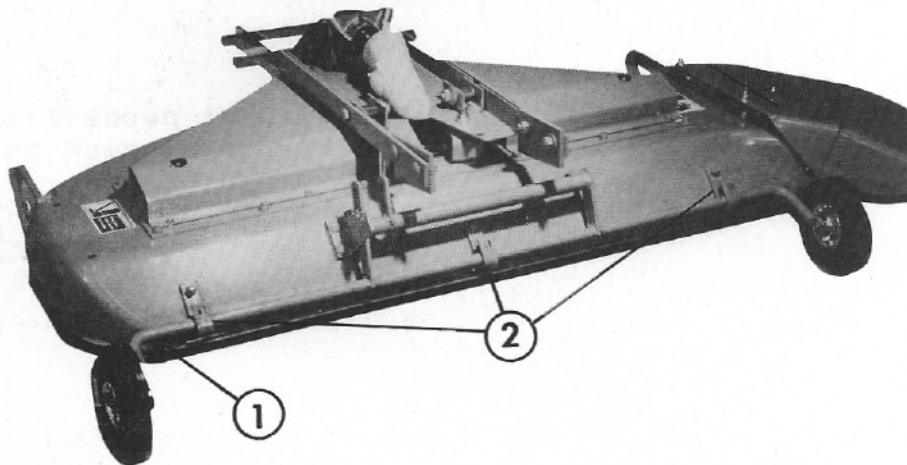


FIGURE 2
 1 - Height Adjustment Lever
 2 - Axle Support Bracket
 3 - Axle Guide

SECTION 8

Set-Up Instructions

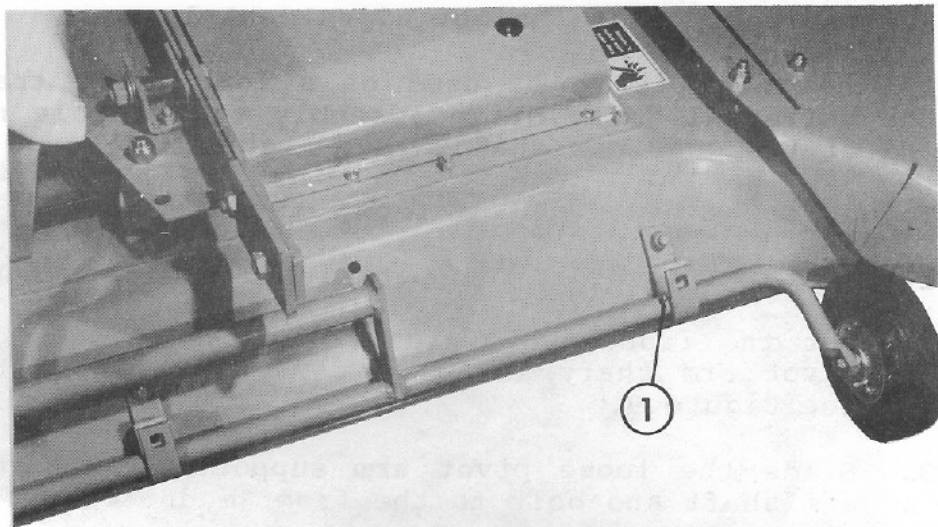
- 8.1 Remove the mower from the shipping container.
- 8.2 Put the axle pivot in position in the axle support brackets. See Figure 5.
- 8.3 Put a nylon stop in each axle support bracket with the curved end against the axle pivot. Secure the nylon stops with $3/8-16 \times 2$ " carriage bolts from under the deck and $3/8-16$ lock nuts.
- 8.4 Install a cotter pin in the axle pivot as shown in Figure 6.
- 8.5 Put the height adjustment lever in the slots of the axle pivot and install two cotter pins. See Figure 7.
- 8.6 Install the spring from the axle pivot to the height adjustment lever.



- 1 - Axle
2 - Axle Support Bracket

FIGURE 5

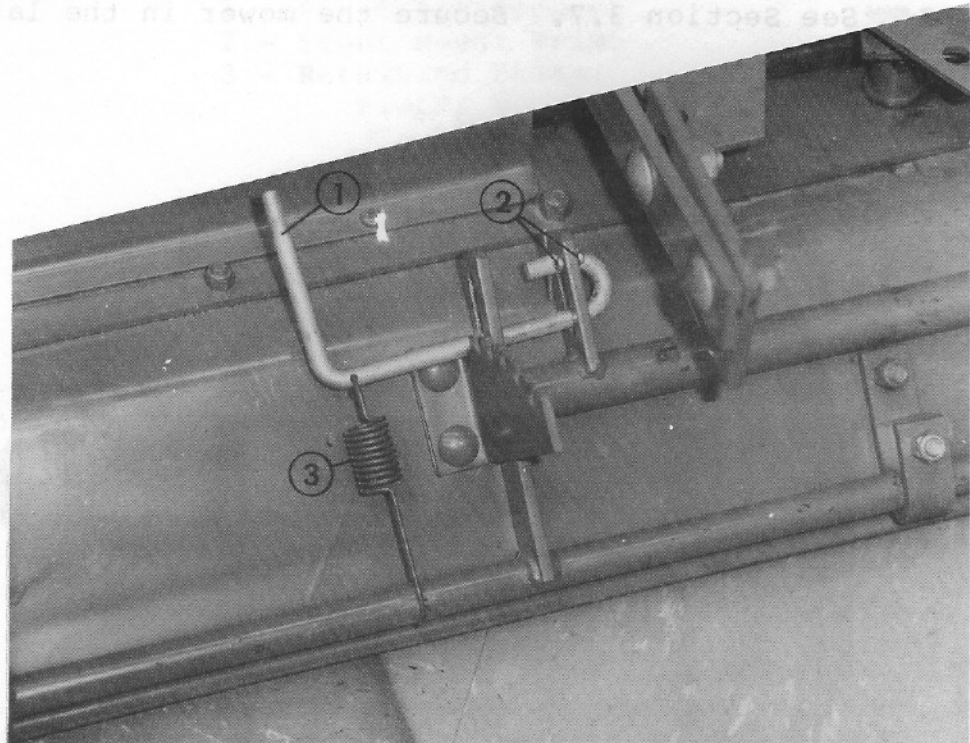
84025



1 - Cotter Pin

FIGURE 6

84026



1 - Height Adjustment Lever

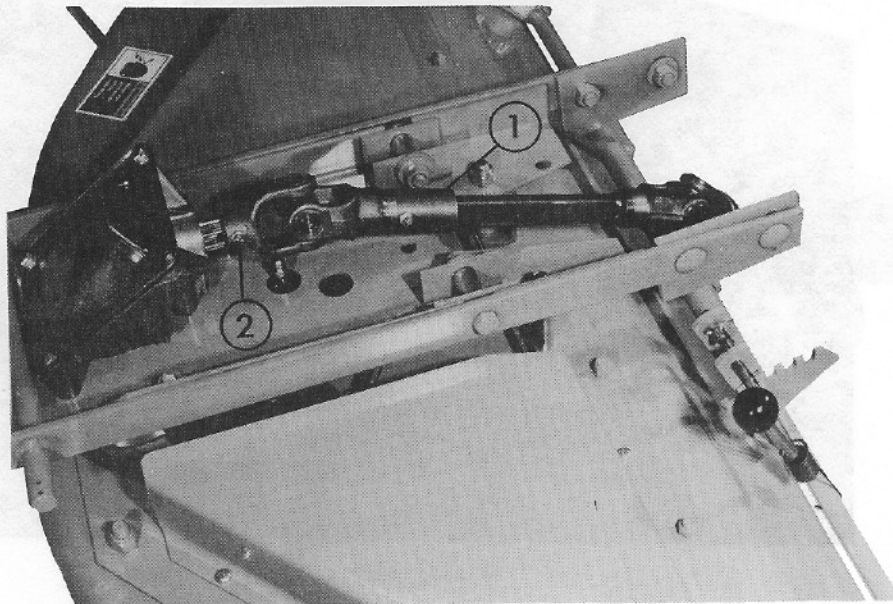
2 - Cotter Pins

3 - Spring

FIGURE 7

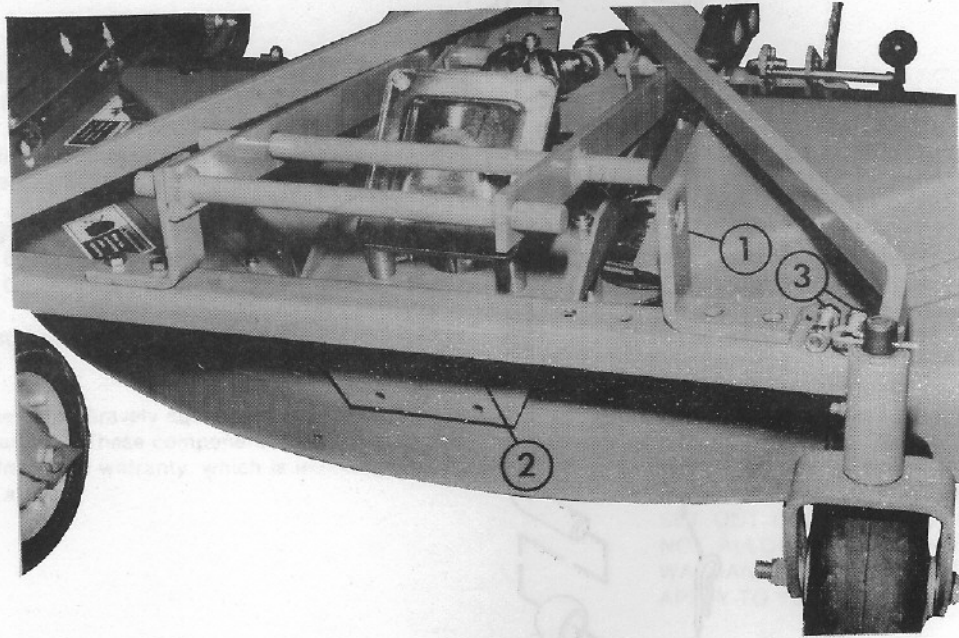
78256

- 8.7 Put the knob on the height adjustment lever.
- 8.8 If the mower is to be used on a long frame tractor, move the universal joint drive assembly to the hole nearest the end of the gear box shaft. See Figure 8.
- 8.9 To mount the mower to the front mount (two-wheel tractor):
1. Remove a pivot arm support from the front mount frame.
 2. Put the front mount frame over the mower and slide the pivot arm shaft into the remaining pivot arm support. See Figure 9.
 3. Slide the loose pivot arm support on the vacant pivot arm shaft and bolt to the front mount frame.
 4. Cut the universal joint assembly shaft to the length shown in Diagram 4.
- 8.10 The mower lift rod is installed and adjusted the first time the mower is mounted on the four-wheel tractor.
1. Put the lift pivot on the lift rod followed by two jam nuts. Leave the nuts loose for adjustment. See Diagram 5.
 2. See Section 3.7. Secure the mower in the latch plates.



1 - U-Joint Female
2 - Retaining Bolt
FIGURE 8

84027



- 1 - Pivot Arm Support
- 2 - Front Mount Frame
- 3 - Retaining Bolts

84028

FIGURE 9

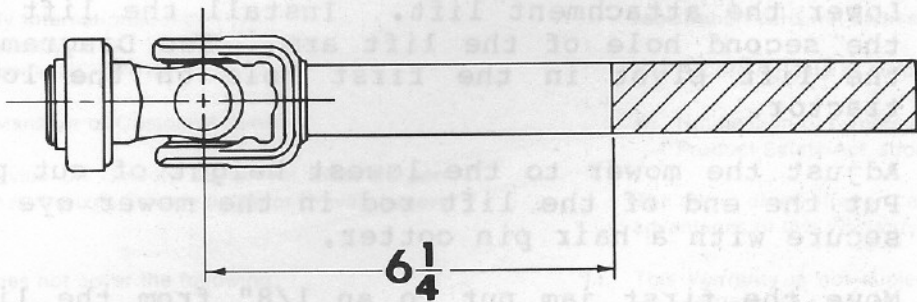
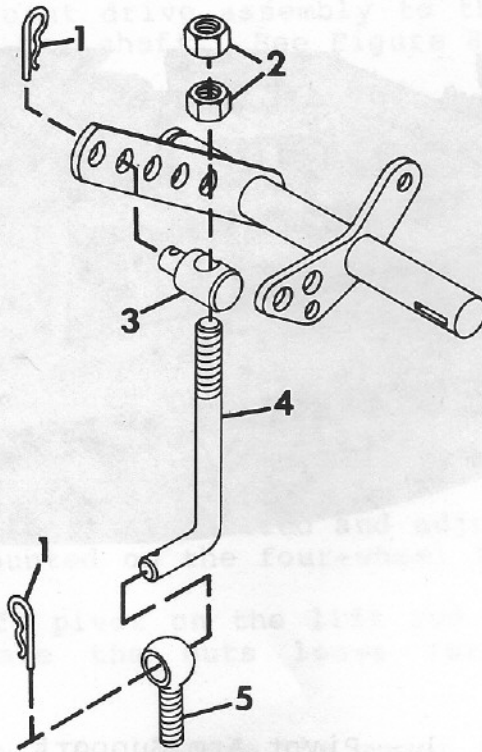


DIAGRAM 4

84029

GRAVELLY



- 1 - Hair Pin Cotter
- 2 - Jam Nuts
- 3 - Mower Lift Pivot
- 4 - Lift Rod
- 5 - Eye Bolt

84032

DIAGRAM 5

3. Lower the attachment lift. Install the lift pivot in the second hole of the lift arm. See Diagram 5. Put the lift pivot in the first hole on the long frame tractor.
4. Adjust the mower to the lowest height of cut position. Put the end of the lift rod in the mower eye bolt and secure with a hair pin cotter.
5. Move the first jam nut to an 1/8" from the lift pivot and lock it in place by jamming with the second nut.
6. Follow Section 3.7 for installation and removal of the mower on the tractor.

SECTION 9

GRAVELY LIMITED WARRANTY

This Limited Warranty is issued by Gravelly International, Inc., and consists of the following terms:

1. Only the original purchaser of new Gravelly equipment is covered by this Warranty.
2. This Warranty covers repair or replacement of parts manufactured by Gravelly which are defective in material or workmanship. Gravelly will pay for parts and labor only.
3. The Warranty starts the date of purchase and lasts for TWELVE (12) MONTHS.
4. Some components of Gravelly equipment are not covered by the Gravelly Warranty. These components are covered by the original manufacturer's warranty, which is included with the product. They are:
 - a. Engines
 - b. Tires
5. To obtain warranty service on Gravelly equipment including components not manufactured by Gravelly, use this procedure:
 - a. Notify the Gravelly dealer from whom you purchased the equipment.
 - b. If you have moved and it is not convenient to notify the selling dealer, notify the nearest Gravelly dealer. You should supply this dealer with a copy of the bill of sale as proof of the date of purchase.
 - c. Make arrangements to have the equipment delivered to the dealer (refer to paragraph 6(a) below).
 - d. If you have any questions concerning the Gravelly Limited Warranty, they should be referred to:

Gravelly International, Inc.
One Gravelly Lane
Clemmons, NC 27012

Attn: Manager of Customer Services
 - e. Warranty service on Gravelly equipment must be performed by an authorized Gravelly dealer or Gravelly factory branch.
6. This Warranty does not cover the following:
 - a. Transportation between owner's home or place of business and the dealership. If the dealer provides the transportation of the equipment, he will charge the owner his usual rate for such service.
 - b. Normal maintenance services and normal replacement of items such as spark plugs, belts, oil, oil filters, air filters, and mower, plow or cultivator blades.
 - c. Alterations or Modifications - All obligations under this warranty shall be terminated if the equipment is altered or modified in any way.
 - d. Customer Neglect or Lack of Proper Maintenance - The purchaser is responsible for making sure that the tractor is operated and serviced as directed in the operator's manual. Incorrect use or maintenance will void the warranty.
7. GRAVELLY MAKES NO OTHER EXPRESS WARRANTIES. ANY IMPLIED WARRANTIES, INCLUDING WARRANTIES AS TO MERCHANTABILITY OR FITNESS FOR A PARTICULAR PURPOSE, ARE LIMITED IN DURATION TO THE PERIOD SET OUT IN PARAGRAPH 3 ABOVE. SOME STATES DO NOT ALLOW LIMITATIONS ON HOW LONG AN IMPLIED WARRANTY LASTS, SO THE ABOVE STATEMENT MAY NOT APPLY TO YOU.
8. GRAVELLY SHALL HAVE NO RESPONSIBILITY FOR INCIDENTAL OR CONSEQUENTIAL DAMAGES RESULTING FROM THE BREACH OF ANY WARRANTY, INCLUDING, BUT NOT LIMITED TO, INCONVENIENCE, RENTAL OR PURCHASE OF REPLACEMENT EQUIPMENT, LOSS OF PROFITS OR COMMERCIAL LOSS. SOME STATES DO NOT ALLOW THE EXCLUSION OR LIMITATION OF INCIDENTAL OR CONSEQUENTIAL DAMAGES, SO THE ABOVE LIMITATION OR EXCLUSION MAY NOT APPLY TO YOU.
9. This Warranty gives you specific legal rights, and you may have other rights which vary from state to state.
10. A Gravelly product registration card is supplied with each Gravelly product. Please complete the card and return it to Gravelly at the address listed on the card. The equipment registration card will be used by Gravelly for:
 - a. Recording date of purchase.
 - b. Notification of owners in compliance with the Consumer Product Safety Act, should any notification be necessary.The return of registration card is not required in order to take advantages of this Warranty.
11. This Warranty is not subject to change or modification by anyone, including Gravelly dealers and no Gravelly dealer is authorized to make any representations or promises on Gravelly's behalf.

 **GRAVELLY**