

# **GRAVELY OPERATOR'S MANUAL**

**NAME: 40 INCH & 50 INCH ROTARY MOWER**

**PART NUMBER(S): 40"- 34427  
50"- 31220**



The 40 Inch and the 50 Inch Rotary Mowers are for use with the Gravely 5000 Series Tractors and the 8000 Series Tractors. To connect either mower to the 5000 Series Tractor a front mount kit, part number 15569 is needed.

All reference to left side, right side, front and rear are given from the operator's position.

To continue its program of quality and design improvement, the manufacturer reserves the right to change specifications, designs and prices without notice and incurring obligation.

Form No. **34441 (4-82)** Printed in U.S.A.

# CONTENTS

When operating on slopes go across the slope when using a two wheel tractor and do not	1.0	Warnings - For Your Safety
tractor	1.1	Instructions Before Operation
	1.2	Preparation For Operation
6. Always look for and keep away from other hazards	1.3	Operation
	2.0	How to Connect the Mower to the Tractor
7. Use caution when moving back for persons and hazards in the way	2.1	How to Connect the Mower to the 8000 Series Tractor
	2.2	How to Connect the Mower to the 5000 Series Tractor
8. After hitting an item, stop the tractor and the engine	3.0	How to Remove the Mower from the Tractor
damage	3.1	How to Remove the Mower from the 8000 Series Tractor
	3.2	How to Remove the Mower from the 5000 Series Tractor
9. Operate the equipment only when in the operating position	4.0	How to Adjust the Mower Deck
10. Before leaving the tractor, control in the "OUT" position. Lower the attach	5.0	How to Adjust the Cutting Height
switch to the "OFF" position and remove the ignition	6.0	How to Operate the Mower
	7.0	How to Do Maintenance
	7.1	How to Adjust the Tension of the Belt
11. If there is a sudden change in the sound or vibration of the tractor or the attaching	7.2	How to Replace the Belt
stop the tractor and check for damage. If there is damage, make repairs before operating	7.3	How to Lubricate the Gear Box
	8.0	How to Put the Mower in Storage
12. Never start and run the engine inside a building except to move the equipment outside. Exhaust fumes are dangerous.	9.0	Illustrated Parts and Parts List
13. Always follow traffic laws while going on or near a road		
14. Go slow on surfaces where the tractor can slide		
15. Before leaving the operator's position to make adjustments or to do maintenance, put the PTO control lever in the "OUT" position. Turn the ignition switch to the "OFF" position. Wait until the engine and moving parts have stopped		

## 2.0 HOW TO CONNECT THE MOWER TO THE TRACTOR

NOTE: The mower is to be connected to the 8000 Series Commercial tractor that has the long frame, use the first hole from the end of the lift. All other 8000 Series tractors, use the second hole from the end of the lift.

- Put multi-purpose grease on the square shaft of the universal joint. Put the square shaft into the tube of the universal joint that is fastened to the gear box of the mower.
- Put the height adjuster on the mower in the "over" position.
- Put the tractor on its front wheels.
- Get assistance to attach the tractor.
- Put multi-purpose grease on the shaft of the tractor.
- Put multi-purpose grease on the shaft of the tractor.

1.0  
NO


Th  
Us  
op  
ins  
It  
ev  
do  
T  
e  
e

1

1



## 1.0 WARNINGS - FOR YOUR SAFETY

**NOTE:** This warning symbol  indicates that there is danger to persons or equipment. Read these warnings carefully and follow them.

This section gives warnings for you about operating and doing maintenance on this equipment.

Using this equipment the wrong way can cause injury to persons and damage to the equipment. Persons operating or doing maintenance on this equipment must read this Operator's Manual and follow the instructions.

It is important to understand that this Operator's Manual and other Gravely instruction books do not list every possible danger. It is not possible for Gravely to know and tell of all the dangers in operating and doing maintenance on the equipment.

The purchaser must give these instructions to the persons operating and doing maintenance on this equipment. The purchaser must get the operator and person doing maintenance on this equipment to use eye and foot protection.

### 1.1 INSTRUCTIONS BEFORE OPERATION

1. Read the tractor and the attachment Operator's Manuals carefully before operating or doing maintenance.

Learn the location and the function of all the tractor and the attachment controls.

3. Know how to use the controls to stop the tractor and the attachment quickly.
4. Never permit children to operate or ride on the tractor or the attachment.
5. Use caution with gasoline. Gasoline is very flammable. Keep gasoline in a clean and tight container. Keep gasoline away from fire or hot items. Never put gasoline in the fuel tank while the engine is running or hot. Clean any leakage of gasoline from the tractor before starting the engine.

### 1.2 PREPARATION FOR OPERATION

1. Check the area of operation and remove all material that will be thrown by the mower.
2. Make sure all shields and guards are in the correct position before operating.

Wear strong shoes. Wear clothing that is not loose. Wear eye protection.

4. Before starting the engine, put the direction control lever in the "NEUTRAL" position and the "PTO" control in the "OUT" position.
5. Keep the tractor and the attachment in good operating condition. Do the maintenance as shown in the Operator's Manual.
6. Do not operate the tractor where the area of operation is too dark for the operator to see.
7. Never operate the tractor or the attachment when there is damage to any part or when any part is not in the correct position. Replace all parts that are damaged or missing before operating.

### 1.3 OPERATION

1. Keep away from moving parts.
2. Keep all persons and animals away from the area of operation.
3. Do not let persons ride on the tractor or the attachment.
4. When operating on slopes, use a slow speed and engage the direction control lever slowly.

5. When operating on slopes, go across the slope when using a two wheel tractor. Go up and down the slope when using a four wheel tractor.
6. Always look for and keep away from holes and other hazards.
7. Use caution when moving backwards. Look for persons and hazards in the way.
8. After hitting an item, stop the tractor and the engine. Check for damage. If there is damage, make repairs before restarting.
9. Operate the equipment only when in the operator's position.
10. Before leaving the tractor, put the PTO control in the "OUT" position. Lower the attachment to the ground. Turn the ignition switch to the "OFF" position and remove the ignition key.
11. If there is a sudden change in the sound or vibration of the tractor or the attachment, stop the tractor and check for damage. If there is damage, make repairs before operating.
12. Never start and run the engine inside a building except to move the equipment outside. Exhaust fumes are dangerous.
13. Always follow traffic laws while going on or near a road.
14. Go slow on surfaces where the tractor can slide.
15. Before leaving the operator's position to make adjustments or to do maintenance, put the PTO control lever in the "OUT" position. Turn the ignition switch to the "OFF" position. Wait until the engine and moving parts have stopped.

## 2.0 HOW TO CONNECT THE MOWER TO THE TRACTOR

## 2.1 HOW TO CONNECT THE MOWER TO THE 8000 SERIES TRACTOR

1. Install the lift rod on the lift of the tractor as shown in figure 2.0-1.

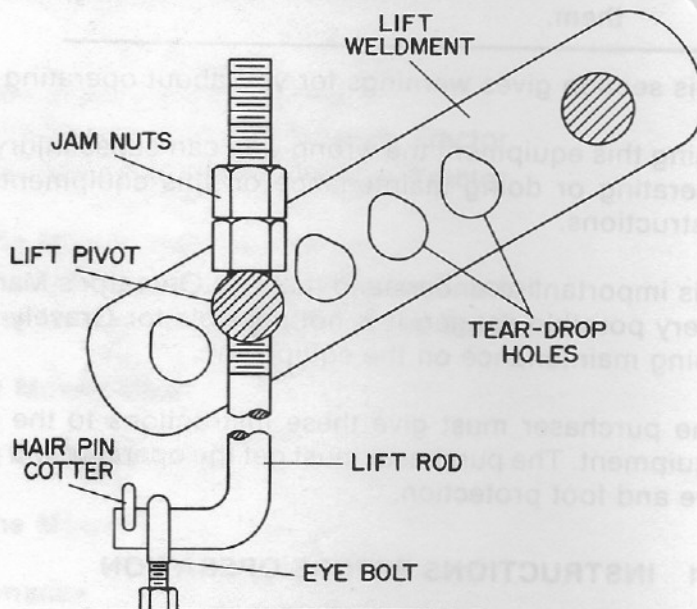


Figure 2.0-1

**NOTE:** If the mower is to be connected to the 8000 Series Commercial tractor that has the long frame, use the first hole from the end of the lift. All other 8000 Series tractors, use the second hole from the end of the lift.

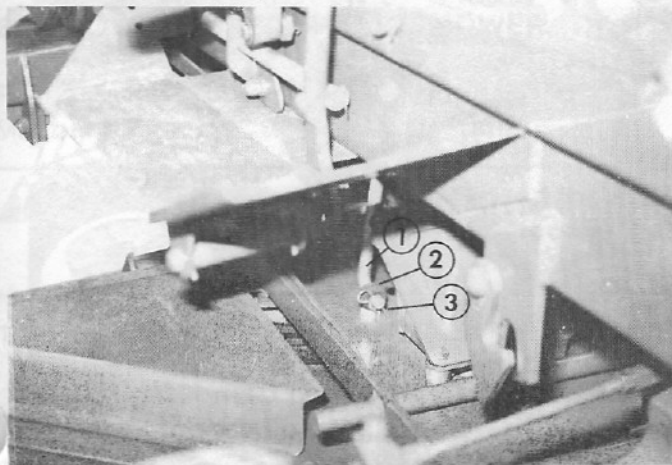
2. Put multi-purpose grease on the square shaft of the universal joint. Put the square shaft into the tube of the universal joint that is fastened to the gear box of the mower.
3. Put the height adjustment lever on the mower in the lowest cutting height position.
4. Put the tractor in position with the front wheels of the tractor behind the mower.
5. Get assistance and roll the front of the tractor over the mower deck.
6. Put multi-purpose grease on the PTO shaft of the tractor.



7. Pull the locking collar on the universal joint towards the universal joint and hold it. If the universal joint has the locking collar that twists, twist the locking collar in the direction of the arrows and hold it. Slide the locking collar half-way on the PTO shaft and release the locking collar. Push the locking collar on the PTO shaft until it locks in position.

8. Put the attachment lift on the tractor in the lowest position.

9. Put the end of the lift rod in the eye bolt on the mower. Fasten the lift rod in position with the hair pin cotter. See figure 2.0-2.



1 - Lift Rod  
2 - Eye Bolt  
3 - Hair Pin Cotter  
Figure 2.0-2

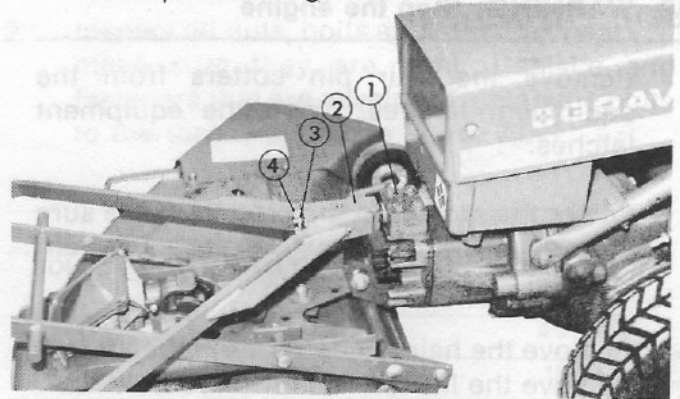
10. Open the equipment latches on the tractor. Use the attachment lift on the tractor to raise the mower until the pivot arm is in position in the equipment latches. Close the equipment latches and install the hair pin cottes. See figure 2.0-3.



2 - Pivot Arm  
3 - Hair Pin Cotter  
Figure 2.0-3

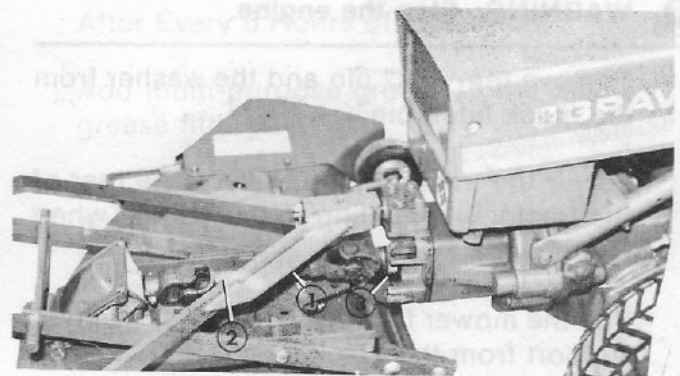
## 2.2 HOW TO CONNECT THE MOWER TO THE 5000 SERIES TRACTOR

1. Put multi-purpose grease on the quick hitch pin.
2. Put the quick hitch pin in the pivot support of the front mount. Install the washer and the "klik" pin. See figure 2.0-4.



1 - Quick Hitch Pin  
2 - Pivot Support  
3 - Washer  
4 - "Klik" Pin  
Figure 2.0-4

3. Put multi-purpose grease on the square shaft of the universal joint. Put the square shaft into the tube of the universal joint that is fastened to the gear box of the mower.
4. Pull the locking collar on the universal joint towards the universal joint and hold it. If the universal joint has the locking collar that twists, twist the locking collar in the direction of the arrows and hold it. Slide the locking collar half-way on the PTO shaft and release the locking collar. Push the locking collar on the PTO shaft until it locks in position. See figure 2.0-5.



1 - Tube  
2 - Square Shaft  
3 - Locking Collar  
Figure 2.0-5

### 3.0 HOW TO REMOVE THE MOWER FROM THE TRACTOR

#### 3.1 HOW TO REMOVE THE MOWER FROM THE 8000 SERIES TRACTOR

1. Use the attachment lift on the tractor to raise the mower to the raised position.

**⚠ WARNING: Stop the engine**

2. Remove the hair pin cotters from the equipment latches. Open the equipment latches.
3. Lower the mower to the ground. Make sure the pivot arm is released from the equipment latches.
4. Remove the hair pin cotter from the lift rod. Remove the lift rod from the eye bolt.
5. Pull the locking collar on the universal joint towards the universal joint and pull the universal joint from the PTO shaft of the tractor. If the universal joint has the locking collar that twists, twist the locking collar in the direction of the arrows and pull the universal joint from the PTO shaft of the tractor.
6. Get assistance and roll the front of the tractor over the mower deck.
7. Remove the lift rod from the lift on the tractor. Connect the lift rod to the eye bolt on the mower and install the hair pin cotter.

#### 3.2 HOW TO REMOVE THE MOWER FROM THE 5000 SERIES TRACTOR

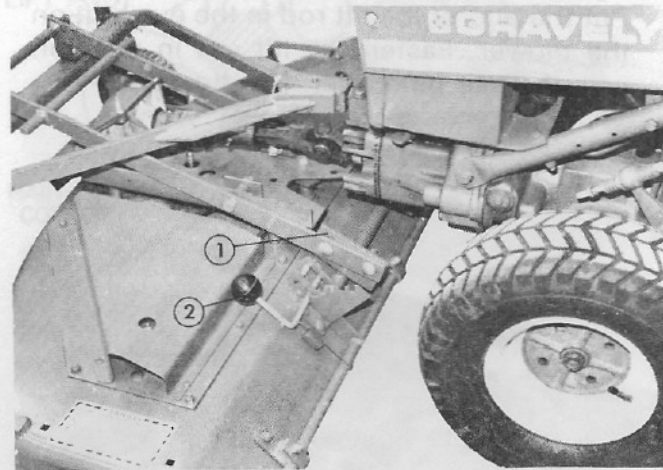
**⚠ WARNING: Stop the engine.**

1. Remove the "klik" pin and the washer from the quick hitch pin.
2. Lower the tractor stand to keep the rear of the tractor from falling to the ground when the mower is removed.
3. Pull the mower forward to remove the pivot support from the quick hitch pin.
4. Install the "klik" pin and the washer on the quick hitch pin.

### 4.0 HOW TO ADJUST THE MOWER DECK

The adjusting procedure is shown with the mower connected to the 5000 Series tractor. The adjusting procedure is the same when the mower is connected to the 8000 Series tractor.

1. Put the tractor and mower on a surface that is level. Stop the engine. (8000 Series tractor, lower the mower to the ground.)
2. Loosen the adjusting cam bolts on both sides of the pivot arm. See figure 4.0-1.



1 - Adjusting Cam  
2 - Height Adjustment Lever

Figure 4.0-1

3. Put the height adjustment lever in the fourth notch from the lowest height position.
4. Measure the distance from the bottom of the mower deck to the ground on each side at the rear of the mower.
5. Put blocks under each side of the mower deck at the front of the mower that measures 1/8" (3.17 mm) more than the measurement at the rear of the mower deck.
6. Push the front of the adjusting cams down tight against the axle pivot. Tighten the adjusting cam bolts on both pivot arms. See figure 4.0-1. Remove the blocks from under the mower deck.



## 5.0 HOW TO ADJUST THE CUTTING HEIGHT

The cutting height is adjusted by moving the height adjustment lever. See figure 4.0-1.

To raise the cutting height, pull the height adjustment lever from the notch and move the lever toward the rear.

To lower the cutting height, pull the height adjustment lever from the notch and move the lever toward the front.

**NOTE: Each notch will raise or lower the cutting height 1/2" (1.27 cm).**

## 6.0 HOW TO OPERATE THE MOWER

Read this Operator's Manual and the Operator's Manual for the tractor before operating.

**WARNING: Travel at a slow speed the first time you use the tractor and the mower.**

1. Put the height adjustment lever in the fourth notch from the lowest cutting height position.
2. Start the engine of the tractor. Wait until the engine is running smoothly before operating.
3. Move the throttle lever to the "FAST" position.
4. Put the direction control lever in the forward position and mow a distance of ten feet (3 m). Stop the tractor, put the PTO in the "OFF" position and turn the ignition switch to the "OFF" position.
5. Check to see if the mower is cutting the grass to the needed height. If the cutting height needs adjusting, follow the procedure shown in section 5.0.
6. After you know how to operate the mower, select the speed that is best for your mowing condition.

**NOTE: Always use a high engine RPM and adjust the traveling speed as needed by changing transmission gears.**

## 7.0 HOW TO DO MAINTENANCE

**WARNING: Stop the engine. Lower the mower to the ground.**

After Each Use:

1. Clean the mower.
2. Inspect all nuts, bolts and other fasteners to make sure they are tight. Replace any fasteners that are missing. Tighten the bolts to the torque shown in figure 7.0-1.

### BOLT TORQUE SPECIFICATIONS

BOLT SIZE	FOOT POUNDS (ft. lbs.)	NEWTON METERS (N.m)
1/4"	7	9.5
5/16"	14	19
3/8"	25	34
7/16"	40	54
1/2"	60	82
9/16"	83	113
5/8"	120	163
3/4"	200	271

Figure 7.0-1

3. Inspect all blades and replace any blade that has damage.
4. Check to see that the blades are sharp. If the blades are not sharp, remove the blades and grind the edges that have the bevel until they are sharp. Grind each edge the same amount. Make sure the blades have balance. Tighten the spindle nuts to a torque of 50 ft. lbs. (67.8 N.m).

After Every 8 Hours of Operation:

Add multi-purpose grease to the following grease fittings:

Mower

- A. Spindles - 3
- B. Gauge Wheels - 2
- C. Drive Shaft - 1

Front Mount

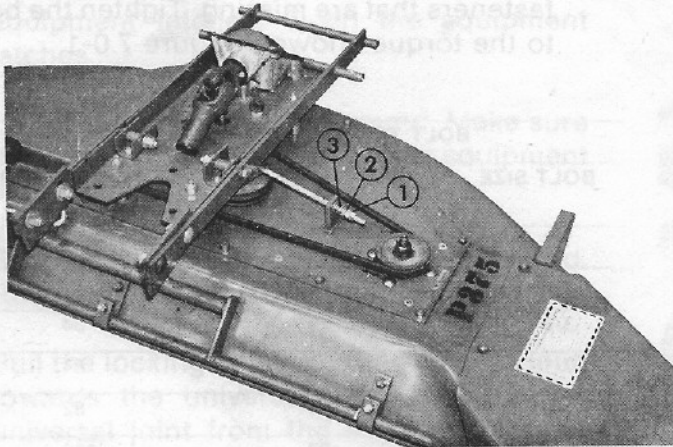
- D. Quick Hitch Pin - 1
- E. Caster Wheels - 2
- F. Caster Wheel Forks - 2

## 7.1 HOW TO ADJUST THE TENSION OF THE BELT

It is not necessary to remove the mower from the tractor to adjust the tension of the belt.

**WARNING:** Stop the engine. Lower the mower to the ground.

1. Remove the right side belt cover. See figure 7.0-2.



- 1 - Jam Nut
- 2 - Adjusting Nut
- 3 - Spring

Figure 7.0-2

2. Hold the adjusting nut and turn the jam nut counterclockwise.
3. Turn the adjusting nut clockwise until there is a gap of .010" to .015" (.25 mm to .38 mm) between the coils of the spring.
4. Hold the adjusting nut and tighten the jam nut against the adjusting nut.
5. Install the right side belt cover.

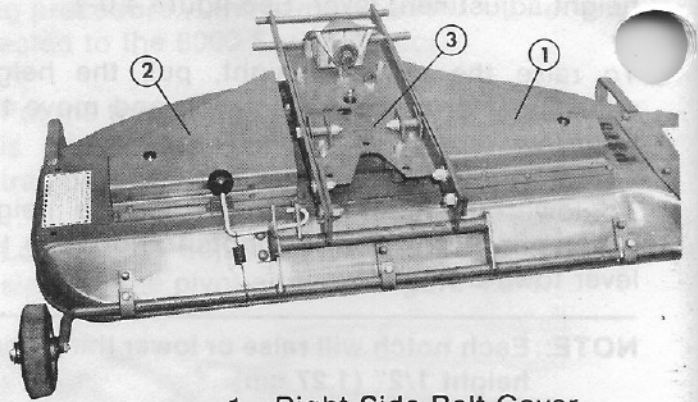
## 7.2 HOW TO REPLACE THE BELT

1. Stop the tractor on a surface that is level.

**WARNING:** Stop the engine.

2. Remove the mower from the tractor as shown in section 3.0.

3. Remove the belt covers from the right side and the left side of the mower. See figure 7.0-3.



- 1 - Right Side Belt Cover
- 2 - Left Side Belt Cover
- 3 - Gear Housing Support

Figure 7.0-3

1. Remove the gear housing support from the mower.
5. Loosen the spring tension as shown in section 7.1. Remove the old belt.
6. Install the new belt as shown in figure 7.0-4 or the belt diagram decal on the mower deck.

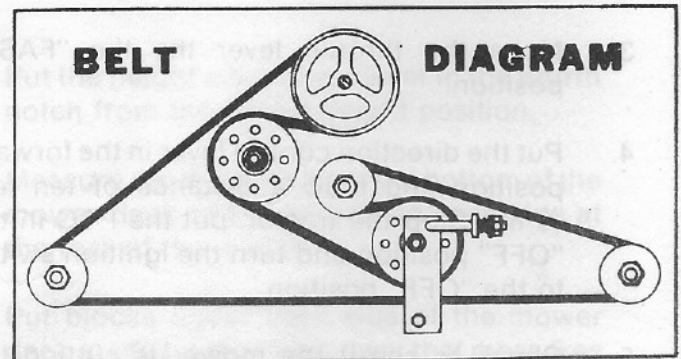


Figure 7.0-4

7. Install the gear housing support.
8. Adjust the tension of the belt as shown in section 7.1.
9. Install the right side and the left side covers.



### 7.3 HOW TO LUBRICATE THE GEAR BOX

Once a year or after 200 hours of operating, check the lubricant level in the gear box. To check the lubricant level do the following:

1. Remove the four bolts that fastens the gear box cover to the gear box.

---

**NOTE:** Use caution when removing the gear box cover. Do not damage the gasket. The gasket must be replaced if there is damage.

---

2. Remove the gear box cover. Add multi-purpose grease if needed.
3. Install the gear box cover.

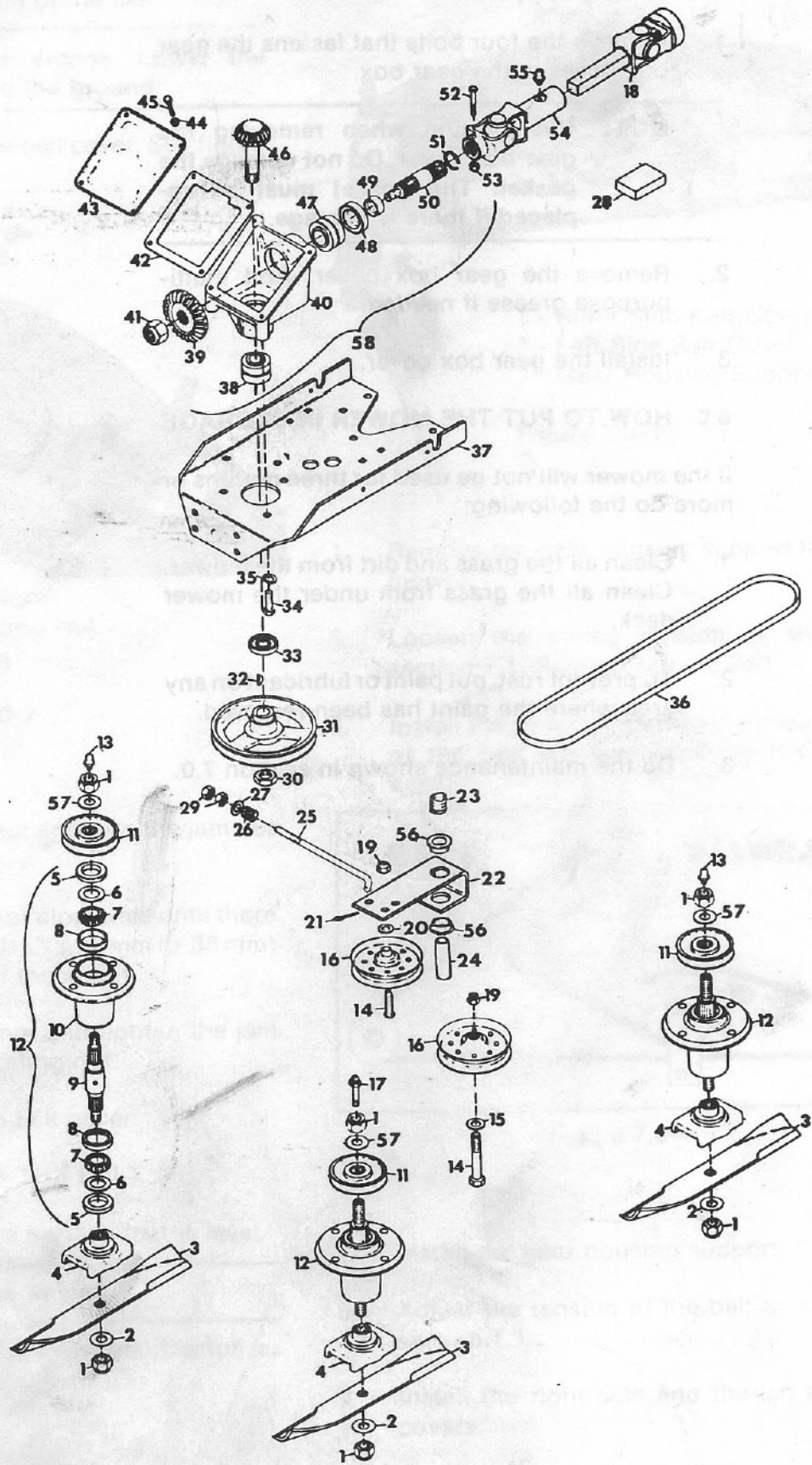
### 8.0 HOW TO PUT THE MOWER IN STORAGE

If the mower will not be used for three months or more do the following:

1. Clean all the grass and dirt from the mower. Clean all the grass from under the mower deck.
2. To prevent rust, put paint or lubricant on any area where the paint has been removed.
3. Do the maintenance shown in section 7.0.

# 9.0 ILLUSTRATED PARTS AND PARTS LISTS

## MOWER DRIVE 40" & 50"

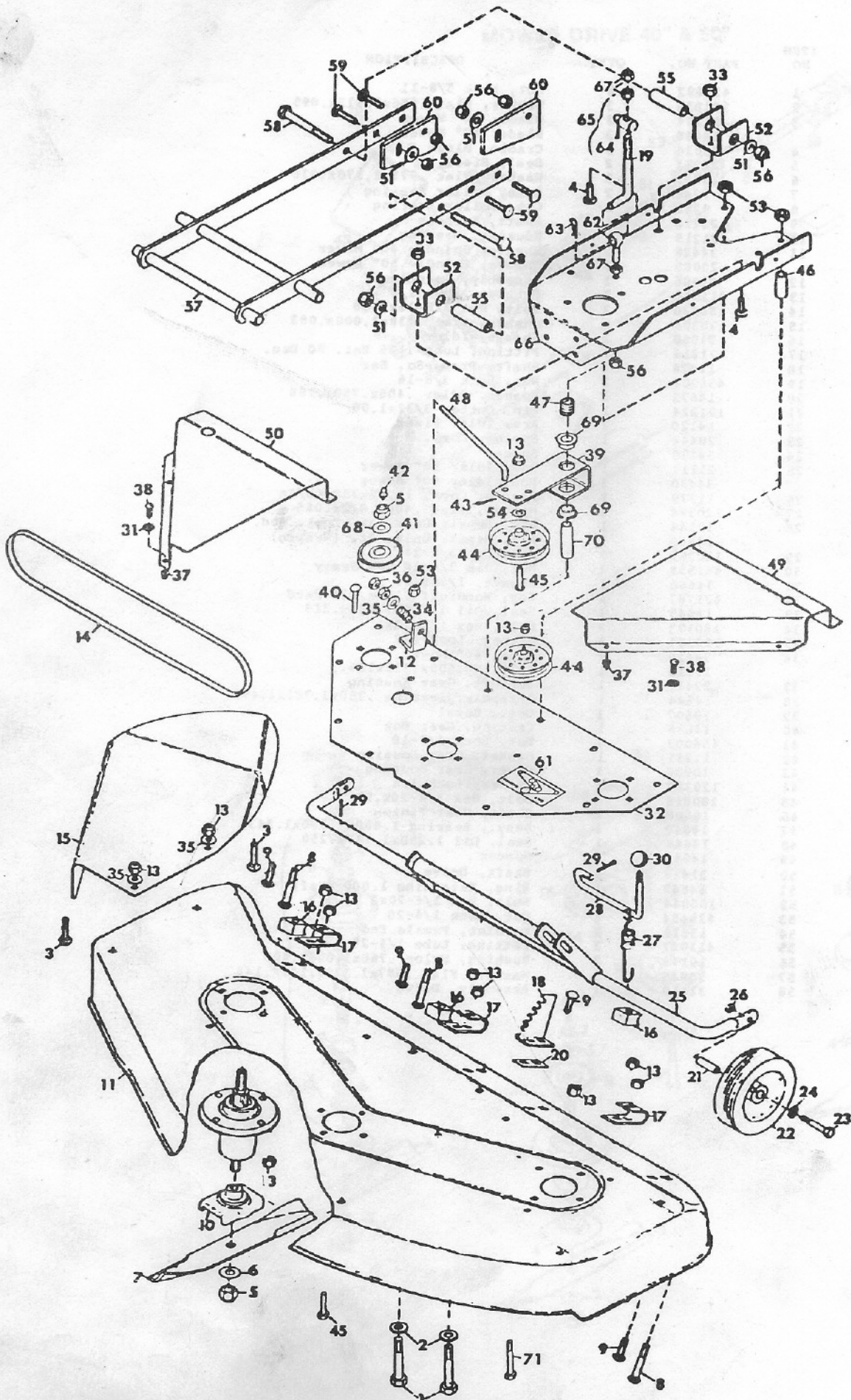




## MOWER DRIVE 40" & 50"

ITEM NO	PART NO.	QTY.	DESCRIPTION
1	418692	6	Nut, Lock 5/8-11
2	131016	3	Washer, Flat .656x1.312x.095
3	11234	3	Blade, 50" Mower
	14668	3	Blade, 40" Mower
4	23026	3	Cradle, Blade
5	21211	2	Seal, Steel
6	20743	2	Washer, Flat .975x1.970x.030
7	9246	2	Cone, Roller Bearing
8	9245	2	Cup, Roller Bearing
9	21216	1	Shaft, Spindle
10	21215	1	Housing, Bearing
11	34428	3	Sheave, Spindle 40" Mower
	20065	3	Sheave, Spindle 50" Mower
12	21306	1	Assembly, Spindle
13	411010	2	Fitting, Lube 1/8
14	180130	2	Bolt, Hex 3/8-16x2.00
15	120388	1	Washer, Flat .438x1.000x.083
16	21060	2	Sheave, Idler
17	21214	1	Fitting, Lube .125 Ext. 90 Deg.
18	19074	1	Shaft, Prop. Sq. Bar
19	456004	2	Nut, Lock 3/8-16
20	14672	1	Spacer, Idler .406x.750x.188
21	121224	1	Pin, Cotter 3/32x1.00
22	34120	1	Arm, Idler Pivot
23	20444	1	Spring, Comp.
24	34119	1	Spacer
25	21111	1	Rod, Idler 50" Mower
	34430	1	Rod, Idler 40" Mower
26	11779	1	Spring, Comp. 1x.78x338 Lb/In
27	120394	1	Washer, Flat .406x.812x.065
28	12134	1	Kit, Repair Univ. Jt. Rock. Std.
	24560	1	Kit, Repair Univ. Jt. (Neapco)
29	120369	2	Nut, Hex 3/8-24
30	451539	1	Nut, Jam 3/4-10 Hex Heavy
31	14660	1	Sheave, 1/2x6.50
32	431787	1	Key, Woodruff .188x.625 Hard
33	14645	1	Seal, Oil 1.250x1.686x.313
34	180173	3	Bolt, Hex 1/2-13x1
35	120384	3	Washer, Lock 1/2
36	34429	1	Belt, 40" Mower
	11216	1	Belt, V .500x.312x126.3
37	22417	1	Support, Gear Housing
38	14644	1	Assembly, Bearing .750x1.781x1.499
39	19607	1	Gear, Bevel
40	14636	1	Casting, Gear Box
41	456007	1	Nut, Lock 3/4-10
42	11231	1	Gasket, Gear Housing
43	10982	1	Cover, Gear Housing
44	120380	4	Washer, Lock 1/4
45	180016	4	Bolt, Hex 1/4-20x.50
46	19608	1	Shaft, Gear Pinion
47	14640	1	Assy., Bearing 1.000x1.980x1.243
48	14646	1	Seal, Oil 1.250x1.987x.250
49	14641	1	Spacer
50	31412	1	Shaft, Drive
51	14642	1	Ring, Retaining 1.000 Shaft
52	180044	1	Bolt, Hex 1/4-20x2
53	419454	1	Nut, Lock 1/4-20
54	13518	1	U-Joint, Female End
55	411027	1	Fitting, Lube 1/4-28
56	10174	2	Bushing, Nylon .760x1.000x.600
57	33845	3	Washer, Flat .687x1.312x.122/.146
58	31410	1	Assembly, Drive

# 40" MOWER DECK ASSEMBLY

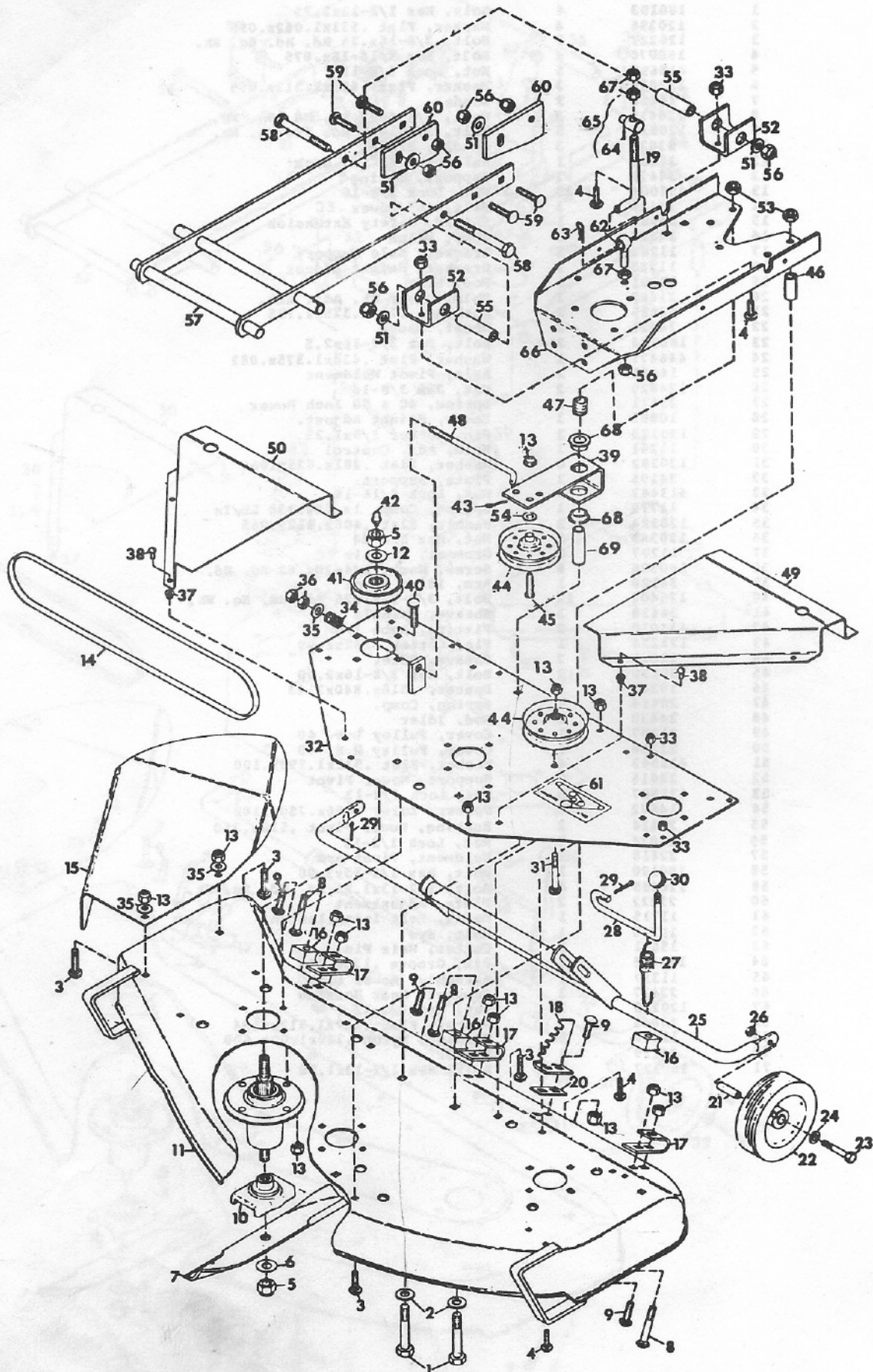




## 40" MOWER DECK ASSEMBLY

ITEM NO.	PART NO.	QTY.	DESCRIPTION
1	180193	4	Bolt, Hex 1/2-13x3.75
2	120396	4	Washer, Flat .531x1.062x.095
3	126227	2	Bolt, 3/8-16x.75 Rd. Hd. Sq. Nk.
4	180078	4	Bolt, Hex 5/16-18x.875
5	418692	6	Nut, Lock 5/8-11
6	131016	3	Washer, Flat .656x1.312x.095
7	14668	3	Blade
8	126419	3	Bolt, 3/8-16x2 Rd. Hd. Sq. Nk.
9	120915	5	Bolt, 3/8-16x1 Rd. Hd. Sq. Nk.
10	23026	3	Cradle, Blade
11	34438	1	Weldment, 40 in. Deck
12	34431	1	Support, Spring
13	456004	23	Nut, Lock 3/8-16
14	34429	1	Belt, 40" Mower
15	19986	1	Shield, Safety Extension
16	11260	3	Stop, Nylon
17	11264	3	Bracket, Axle Support
18	11265	1	Bracket, Height Adjust
19	19201	1	Rod, Lift
20	21462	1	Shim, Mower Ht. Adj. Bkt.
21	34425	2	Bushing, .750x.375x1.785
22	34426	2	Wheel, Gauge
23	180134	2	Bolt, Hex 3/8-16x2.5
24	446477	2	Washer, Flat .438x1.375x.083
25	14661	1	Axle, Pivot Weldment
26	124829	2	Nut, Jam 3/8-16
27	21471	1	Spring, 40 & 50 Inch Mower
28	10993	1	Lever, Height Adjust.
29	120123	3	Pin, Cotter 1/8x1.25
30	11261	1	Knob, Adj. Control
31	120392	8	Washer, Flat .281x.625x.065
32	34195	1	Plate, Support
33	413447	4	Nut, Lock 5/16-18
34	11779	1	Spring, Comp. 1x.78x.338 Lb/In
35	120394	3	Washer, Flat .406x.812x.065
36	120369	2	Nut, Hex 3/8-24
37	11777	8	Grommet, Plastic
38	160536	8	Screw, Mach. 1/4-20x.62 Rd. Hd.
39	34120	1	Arm, Idler Pivot
40	126402	12	Bolt, 3/8-16x1.25 Rd. Hd. Sq. Nk.
41	34428	3	Sheave, Spindle
42	411010	2	Fitting, Lube 1/8
43	121224	1	Pin, Cotter 3/32x1.00
44	21060	2	Sheave, Idler
45	180130	2	Bolt, Hex 3/8-16x2.00
46	19348	3	Spacer, .510x.840x2.43
47	20444	1	Spring, Comp.
48	34430	1	Rod, Idler
49	21257	1	Cover, Pulley L.H. 40
50	21258	1	Cover, Pulley R.H. 40
51	415543	4	Washer, Flat .531x1.250x.100
52	22415	2	Support, Mower Pivot
53	435507	5	Nut, Lock 1/2-13
54	14672	1	Spacer, Idler .406x.750x.188
55	22414	2	Bushing, Mower Pivot .510x.750
56	414074	7	Nut, Lock 1/2-13
57	22418	1	Weldment, Pivot Arm
58	180190	2	Bolt, Hex 1/2-13x3.00
59	126485	4	Bolt, 1/2-13x1.25 Rd. Hd. Sq. Nk.
60	21222	2	Plate, Adjustment
61	11715	1	Decal, Belt Installation
62	19350	1	Bolt, Eye
63	15691	1	Cotter, Hair Pin
64	142485	1	Pin, Groove .125x.625
65	11317	1	Assembly, Mower Lift
66	22417	1	Support, Gear Housing
67	120238	3	Nut, Jam 1/2-13
68	33845	3	Washer, Flat .687x1.312x.134
69	10174	2	Bushing, Nylon .760x1.00x.600
70	34119	1	Spacer
71	180177	1	Bolt, Hex 1/2-13x1.50

# 50" MOWER DECK ASSEMBLY





## 50" MOWER DECK ASSEMBLY

ITEM NO.	PART NO.	QTY.	DESCRIPTION
1	180193	4	Bolt, Hex 1/2-13x3.75
2	120396	4	Washer, Flat .531x1.062x.095
3	126227	6	Bolt, 3/8-16x.75 Rd. Hd. Sq. Nk.
4	126216	6	Bolt, 5/16-18x.75 Rd. Hd. Sq. Nk.
5	418692	6	Nut, Lock 5/8-11
6	131016	3	Washer, Flat .656x1.312x.095
7	11234	3	Blade
8	126419	3	Bolt, 3/8-16x2 Rd. Hd. Sq. Nk.
9	120915	5	Bolt, 3/8-16x1 Rd. Hd. Sq. Nk.
10	23026	3	Cradle, Blade
11	20055	1	Weldment, 50 Inch Deck
12	33845	3	Washer, Flat .687x1.300x.122/.146
13	456004	28	Nut, Lock 3/8-16
14	11216	1	Belt, V .500x.312x126.3
15	19985	1	Shield, Safety Extension
16	11260	3	Stop, Nylon
17	11264	3	Bracket, Axle Support
18	11265	1	Bracket, Height Adjust
19	19201	1	Rod, Lift
20	21462	1	Shim, Mower Ht. Adj. Bkt.
21	34425	2	Bushing, .750x.375x1.785
22	34426	2	Wheel, Gauge
23	180134	2	Bolt, Hex 3/8-16x2.5
24	446477	2	Washer, Flat .436x1.375x.083
25	11243	1	Weldment, Axle Pivot
26	124829	2	Nut, Jam 3/8-16 Hex
27	21471	1	Spring, 40 and 50 Inch Mower
28	10993	1	Lever, Height Adjust
29	120123	3	Pin, Cotter .125x1.250
30	11261	1	Knob, Adjustment Control
31	126416	1	Bolt, 3/8-16x1.75 Rd. Hd. Sq. Nk.
32	21118	1	Weldment, Deck Support Plate
33	419455	6	Nut, Lock 5/16-18
34	11779	1	Spring, Comp. Type 1x.78x338 Lb/In
35	120394	3	Washer, Flat .406x.812x.065
36	120369	2	Nut, Hex 3/8-24
37	11777	8	Grommet, Plastic
38	160515	8	Screw, Mach. 1/4-20x.5
39	34120	1	Arm, Idler Pivot
40	126402	12	Bolt, 3/8-16x1.25 Rd. Hd. Sq. Nk.
41	20065	3	Sheave, Spindle
42	411010	2	Fitting, Lube 1/8
43	121224	1	Pin, Cotter 3/32x1.000
44	21060	2	Sheave, Idler
45	180130	1	Bolt, Hex 3/8-16x2
46	19348	3	Spacer, .510x.840x2.43
47	20444	1	Spring, Comp.
48	21111	1	Rod, Idler
49	21259	1	Cover, Pulley L.H.
50	21260	1	Cover, Pulley R.H.
51	415543	4	Washer, Flat .531x1.250x.100
52	22415	2	Support, Mower Pivot
53	435907	4	Nut, Lock 1/2-13
54	14672	1	Spacer, Idler .406x.750x.188
55	22414	2	Bushing, Pivot .510x.750x2.020
56	414074	7	Nut, Lock 1/2-13
57	22418	1	Weldment, Pivot Arm
58	180190	2	Bolt, Hex 1/2-13x3.00
59	126405	4	Bolt, 1/2-13x1.25 Rd. Hd. Sq. Nk.
60	21222	2	Plate, Adjustment
61	11715	1	Decal, Belt Installation
62	19350	1	Bolt, Eye
63	15691	1	Cotter, Hair Pin
64	147485	1	Pin, Croove .125x.625
65	11317	1	Assembly, Mower Lift Pivot
66	22417	1	Support, Gear Housing
67	170238	3	Nut, Jam 1/2-13
68	10174	2	Bushing, Nylon .760x1.00x.600
69	34119	1	Spacer

## GRAVELY LIMITED WARRANTY

This Limited Warranty is issued by Gravelly International, Inc., and consists of the following terms:

1. Only the original purchaser of new Gravelly equipment is covered by this Warranty.
2. This Warranty covers repair or replacement of parts manufactured by Gravelly which are defective in material or workmanship. Gravelly will pay for parts and labor only.
3. The Warranty starts the date of purchase and lasts for TWELVE (12) MONTHS.
4. Some components of Gravelly equipment are not covered by the Gravelly Warranty. These components are covered by the original manufacturer's warranty, which is included with the product. They are:
  - a. Engines
  - b. Tires
5. To obtain warranty service on Gravelly equipment including components not manufactured by Gravelly, use this procedure:
  - a. Notify the Gravelly dealer from whom you purchased the equipment.
  - b. If you have moved and it is not convenient to notify the selling dealer, notify the nearest Gravelly dealer. You should supply this dealer with a copy of the bill of sale as proof of the date of purchase.
  - c. Make arrangements to have the equipment delivered to the dealer (refer to paragraph 6(a) below).
  - d. If you have any questions concerning the Gravelly Limited Warranty, they should be referred to:

Gravelly International, Inc.  
One Gravelly Lane  
Clemmons, NC 27012

Attn: Manager of Customer Services
  - e. Warranty service on Gravelly equipment must be performed by an authorized Gravelly dealer or Gravelly factory branch.
6. This Warranty does not cover the following:
  - a. Transportation between owner's home or place of business and the dealership. If the dealer provides the transportation of the equipment, he will charge the owner his usual rate for such service.
  - b. Normal maintenance services and normal replacement of items such as spark plugs, belts, oil, oil filters, air filters, and mower, plow or cultivator blades.
  - c. Alterations or Modifications - All obligations under this warranty shall be terminated if the equipment is altered or modified in any way.
  - d. Customer Neglect or Lack of Proper Maintenance - The purchaser is responsible for making sure that the tractor is operated and serviced as directed in the operator's manual. Incorrect use or maintenance will void the warranty.
7. GRAVELLY MAKES NO OTHER EXPRESS WARRANTIES. ANY IMPLIED WARRANTIES, INCLUDING WARRANTIES AS TO MERCHANTABILITY OR FITNESS FOR A PARTICULAR PURPOSE, ARE LIMITED IN DURATION TO THE PERIOD SET OUT IN PARAGRAPH 3 ABOVE. SOME STATES DO NOT ALLOW LIMITATIONS ON HOW LONG AN IMPLIED WARRANTY LASTS. SO THE ABOVE STATEMENT MAY NOT APPLY TO YOU.
8. GRAVELLY SHALL HAVE NO RESPONSIBILITY FOR INCIDENTAL OR CONSEQUENTIAL DAMAGES RESULTING FROM THE BREACH OF ANY WARRANTY, INCLUDING, BUT NOT LIMITED TO, INCONVENIENCE, RENTAL OR PURCHASE OF REPLACEMENT EQUIPMENT, LOSS OF PROFITS OR COMMERCIAL LOSS. SOME STATES DO NOT ALLOW THE EXCLUSION OR LIMITATION OF INCIDENTAL OR CONSEQUENTIAL DAMAGES, SO THE ABOVE LIMITATION OR EXCLUSION MAY NOT APPLY TO YOU.
9. This Warranty gives you specific legal rights, and you may have other rights which vary from state to state.
10. A Gravelly product registration card is supplied with each Gravelly product. Please complete the card and return it to Gravelly at the address listed on the card. The equipment registration card will be used by Gravelly for:
  - a. Recording date of purchase.
  - b. Notification of owners in compliance with the Consumer Product Safety Act, should any notification be necessary.The return of registration card is not required in order to take advantages of this Warranty.
11. This Warranty is not subject to change or modification by anyone, including Gravelly dealers and no Gravelly dealer is authorized to make any representations or promises on Gravelly's behalf.

 **GRAVELLY**