

40" & 50" MOWER FRONT ROLLER KIT

FORM NO: 23256 (9-77)

PART NO: 23252

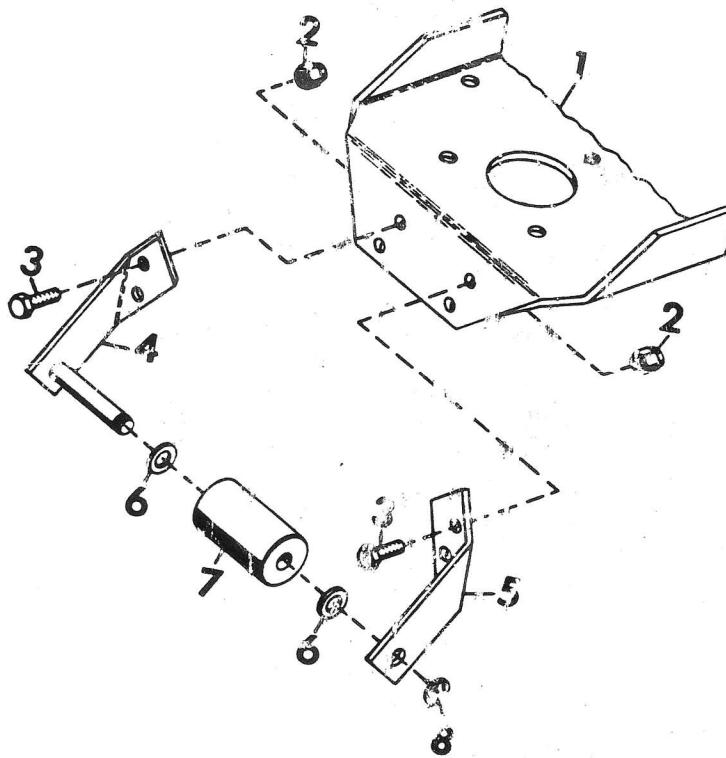
PRINTED IN U.S.A.
\$1.00

The Front Roller is an anti-scraping device designed to reduce mower blade scalping.

ASSEMBLY

1. Install a flat washer (item 6), gauge roller (item 7), flat washer (item 6) and left hand wheel bracket (item 5) on the mower bracket weldment (item 4) and secure with E-Ring (item 8).
2. Secure assembly to gear housing support of mower (item 1) with bolts (item 3) and nuts (item 2).

NOTE: The gear housing support (item 1) IS NOT a part of this assembly. The support is part of the mower and is shown only for locating the roller.



<u>ITEM NO.</u>	<u>PART NO.</u>	<u>DESCRIPTION</u>
1	22417	Support, Gear Housing
2	419455	Nut, Lock; 5/16-18 Washer Insert
3	180070	Bolt, Hex; 5/16-18 x .375
4	23253	Weldment, 40 & 50 Inch Mower Bracket
5	23255	Bracket, L. H. Wheel
6	421879	Washer, Flat; .656 x 1.250 x .100
7	15351	Roller, Gauge
8	21296	E-Ring; .625 Shaft

NOTE: Gear Housing Support (Item Number: 1) is not included in this kit it is already attached to the mower.