



CONTENTS

Read this manual carefully and learn to operate and service your mower before using it.

1. OPERATING INSTRUCTIONS

To keep the warranty, the mower must be maintained and operated as directed in this manual.

All references to "left-side", "right-side", "front", and "back" are given from the operator's position.

36" MULTI-MODE MOWER OPERATORS MANUAL

2. SPECIFICATIONS

SERIAL NUMBER

3. INSTRUCTIONS

4. WARRANTY

Look for this symbol to point out important safety precautions. It means -- ATTENTION! BECOME ALERT! YOUR SAFETY IS INVOLVED.



NOTE

Read this manual carefully and learn to operate and service your mower before using it.

To keep the warranty, the mower must be maintained and operated as directed in this manual.

All references to "left-side", "right-side", "front", and "back" are given from the operator's position.

Use the serial number to ensure prompt and correct service when ordering parts, requesting service or making inquiries.

SERIAL NUMBER: _____



Look for this symbol to point out important safety precautions. It means -- ATTENTION! BECOME ALERT! YOUR SAFETY IS INVOLVED.

1.2 Operation:

1. Wear foot and eye protection. Do not wear loose clothing.

2. Do not use the machine in the dark without adequate lighting.

3. Keep the hood of the engine clean and free of debris.

Improper use of this equipment can injure people and damage the equipment. People using or servicing this equipment must read and follow the instructions in this manual.

It is impossible for Gravelly to know all possible dangers in Gravelly instruction manuals do not cover every possible danger. It is important to understand that this manual and any other

The purchaser must give these instructions to the people operating and maintaining the equipment. These people must use eye and foot protection

1.1 Preparation

1. Read this manual and the list of parts carefully.

2. Learn the location and function of all controls.

3. Learn how to use the controls to stop the wheels and

4. The fuel tank is very flammable. Keep the fuel tank away from flames or hot items. Never put gasoline in the fuel tank while the engine is running or hot. Clean up spilled gasoline before starting.

5. Before starting the engine, put the PTO control lever in the "OFF" position and the gear shift lever in the neutral "N" position.

6. Before starting the engine, put the PTO control lever in the "OFF" position and the gear shift lever in the neutral "N" position.

7. Inspect area to be mowed and remove all material which could be thrown by the mower.

8. Before starting the engine, put the PTO control lever in the "OFF" position and the gear shift lever in the neutral "N" position.

9. When having the equipment, connect the device to the transporting vehicle. Never connect from control levers, rods, or like items that could be damaged.

10. Replace all parts that become damaged or lost.

11. Do not use the machine in the dark without adequate lighting.

12. Keep the hood of the engine clean and free of debris.

CONTENTS

1. INSTRUCTIONS FOR SAFE OPERATION

2. OPERATING INSTRUCTIONS

3. SERVICE INSTRUCTIONS

4. STORAGE

5. SOLVING PROBLEMS

6. ILLUSTRATED PARTS AND PARTS LIST

7. SPECIFICATIONS

8. SET-UP INSTRUCTIONS

9. WARRANTY

SECTION 1

Instructions for Safe Operation

Improper use of this equipment can injure people and damage the equipment. People using or servicing this equipment must read and follow the instructions in this manual.

It is important to understand that this manual and any other Gravely instruction manuals do not cover every possible danger. It is impossible for Gravely to know all possible dangers in operating and servicing the equipment.

The purchaser must give these instructions to the people operating and maintaining this equipment. These people must use eye and foot protection.

1.1 Preparation:

1. Read this manual and the tractor manual carefully.
2. Learn the location and function of all controls.
3. Learn how to use the controls to stop the wheels and mower quickly.
4. Use caution with gasoline. Gasoline is very flammable. Keep it in a clean and tight container away from flames or hot items. Never put gasoline in the fuel tank while the engine is running or hot. Clean up spilled gasoline before starting engine.
5. Be certain that all shields, guards, and interlock switches are in the correct positions.
6. Never permit children to operate the tractor and mower.
7. Inspect area to be mowed and remove all material which could be thrown by the mower.
8. Before starting the engine, put the PTO control lever in the "OFF" position and the gear shift lever in the neutral "N" position.
9. When hauling the equipment, connect the chassis to the transporting vehicle. Never connect from control levers, rods, or like items that could be damaged.
10. Replace all parts that become damaged or lost.

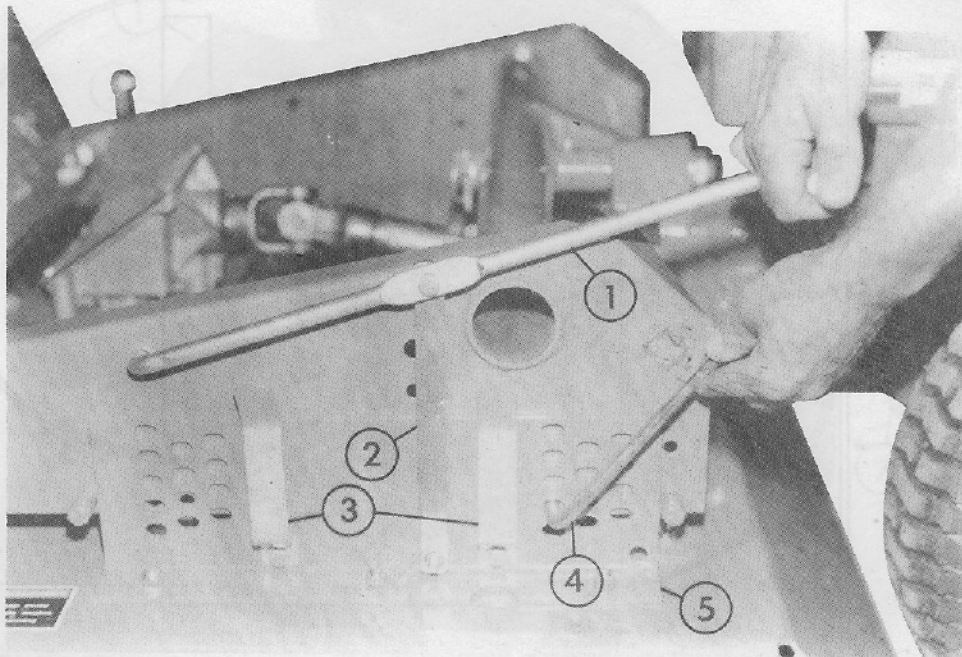
1.2 Operation:

1. Wear foot and eye protection. Do not wear loose clothing.
2. Do not use the equipment in the dark without adequate lighting.
3. Keep the equipment in good condition. Maintain it as directed in this manual.
4. USE ONLY GRAVELY ACCESSORIES AND ATTACHMENTS.
5. Do not overspeed the engine. Do not override the governor.
6. Keep away from moving parts.
7. Keep people and animals away from the operating area.
8. Do not let people other than the operator near the operating equipment.
9. Use a slow speed and engage the shift lever slowly when operating on slopes.
10. Look for and keep away from hazards.
11. After hitting an object, stop the equipment and engine. Check for damage. Repair any damage before operating.
12. Look behind when operating in reverse. Look for people and hazards.
13. Operate only from the operator's position, just behind the handlebars.
14. Travel across slopes, not up and down.
15. If there is a sudden change in the sound or vibration of the equipment, stop the engine and check for damage. Repair any damage or failure before continuing operation.
16. Never run the engine indoors except to move it outside. Exhaust fumes are dangerous.
17. Go slowly on slick surfaces.
18. Follow traffic laws when operating on or near a road.
19. Before making adjustments or servicing, move the PTO to "OFF," turn the ignition switch to "OFF," and wait until all moving parts completely stop.
20. Before leaving the operator's position, put the PTO lever/switch to the "OFF" position, turn the ignition key to the "OFF" position. Move the shift control to forward position.

SECTION 2

Operating Instructions

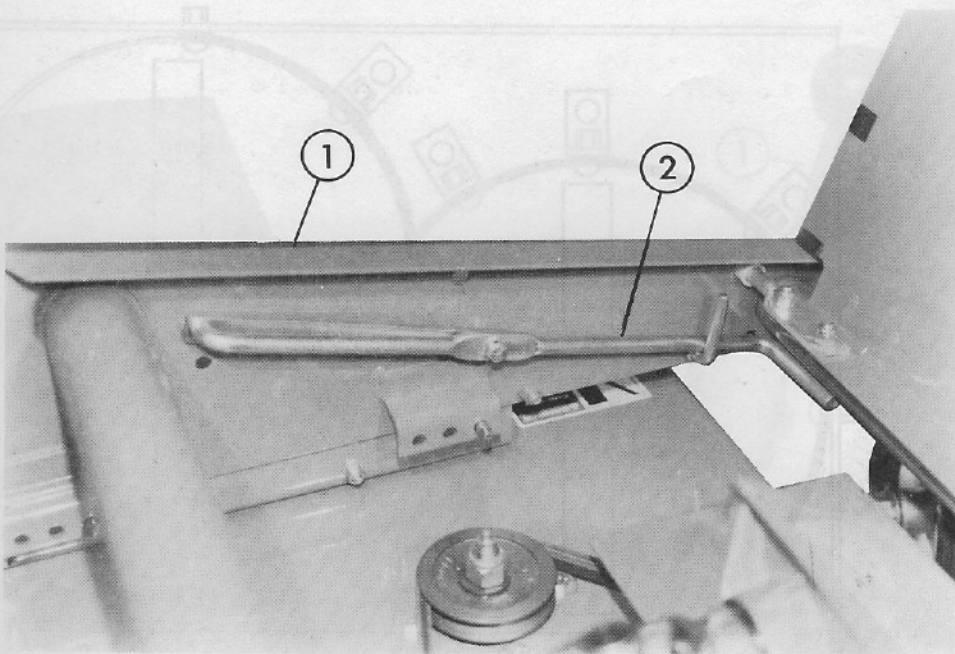
- 2.1 Transport the equipment to the area to be mowed.
- 2.2 Inspect the area to be mowed and remove all material which could be thrown by the mower.
- 2.3 Plan the pattern for cutting the grass. Generally an area is mowed around the periphery towards the center by discharging the grass toward the center on the first pass. The remainder of the mowing is done discharging the grass outward in the area which has been cut.
- 2.4 See Section 7 for the schedule of heights of cut. Do the following to set the mower for the height of cut desired.
 1. Rotate the mower locking pins away from the pin locking tabs.
 2. Remove the klik pin in the end of the lift handle and remove the lift handle from its holder on the mower frame. Insert the end of the lift handle from which the pin was removed into the hole in the mower frame above the mower support bracket and nearest to the front.
 3. Hook the end of the lift strap, which is fastened to the lift handle, to the bolt that is sticking out of the mower support bracket. See Figure 1.
 4. Raise the mower by pulling up on the lift handle until the two mower locking pins can be removed.
 5. Adjust mower to the desired height and reinsert the mower locking pins. Adjust the other side to match.
 6. Lock the pins behind the pin locking tabs and return the lift handle assembly to its place on the mower frame. See Figure 2.
- 2.5 The mower can be assembled for side discharge of grass or rear discharge of grass. This is done by positioning the scroll. See Diagrams 1 and 2.
- 2.6 See the tractor manual for correct operation of the PTO. Start the engine and put the PTO control in the "ON" position. Move the throttle control to the "FAST" position. See Figures 3 and 4.
- 2.7 Select a slow gear. Engage the forward clutch. Control the ground speed by selecting the desired gear.



86008

- 1 - Lift Handle
- 2 - Lift Strap
- 3 - Pin Locking Tab
- 4 - Mower Locking Pin
- 5 - Mower Support Bracket

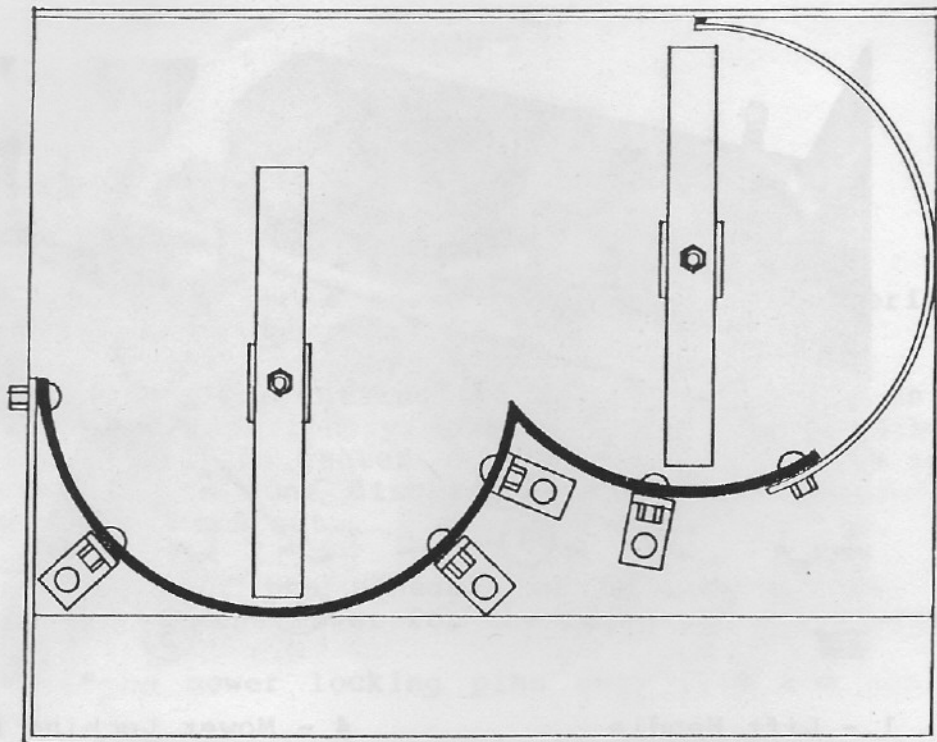
FIGURE 1



86009

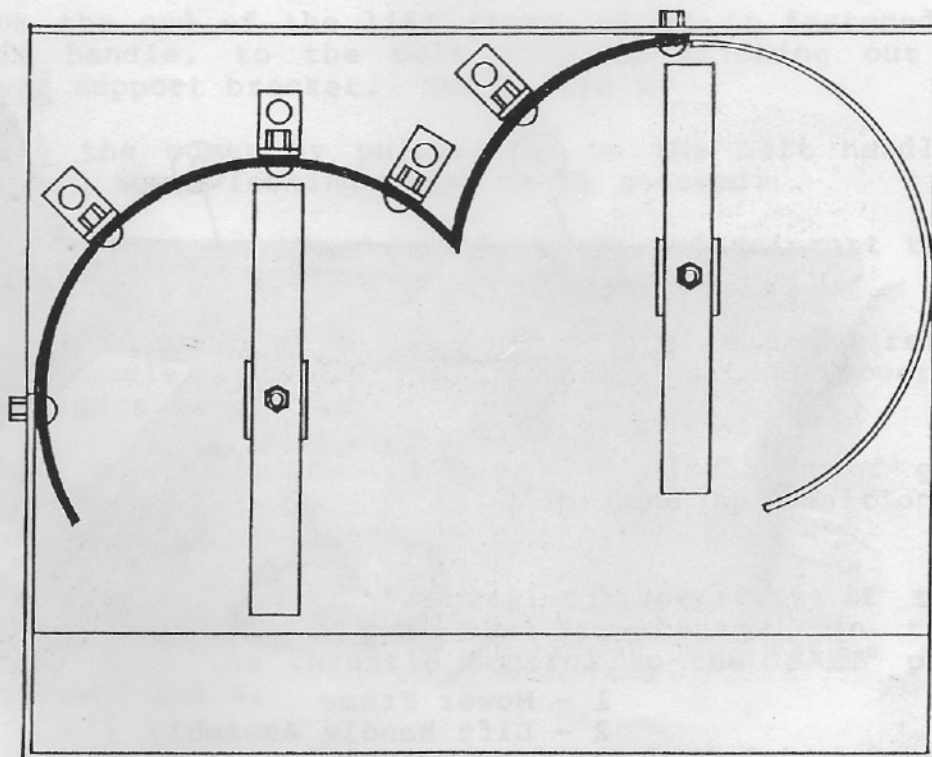
- 1 - Mower Frame
- 2 - Lift Handle Assembly

FIGURE 2



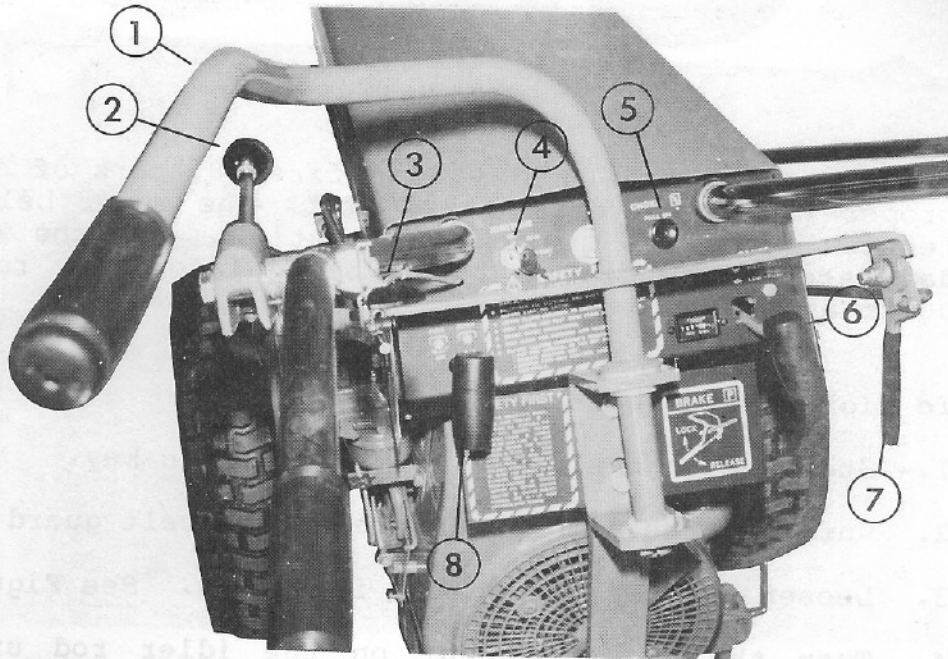
86013

SCROLL POSITION FOR SIDE DISCHARGE OF GRASS
DIAGRAM 1



86014

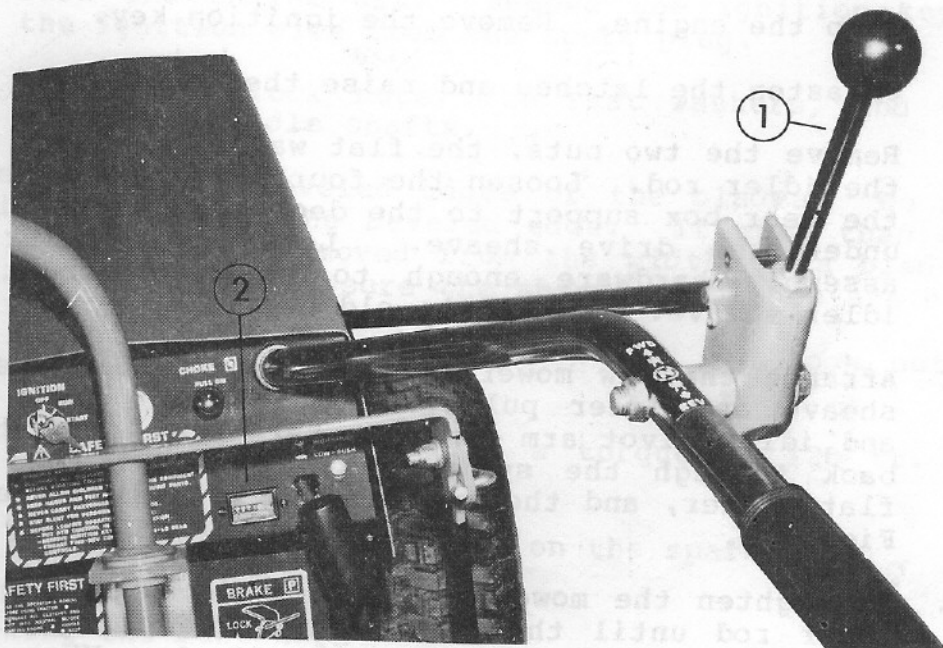
SCROLL POSITION FOR MULCHING/REAR DISCHARGE OF GRASS
DIAGRAM 2



85031

- | | |
|------------------------------|--------------------------|
| 1 - Steering Brake Handlebar | 5 - Choke Control |
| 2 - Gear Shift Lever | 6 - Range Shift Handle |
| 3 - Throttle Lever | 7 - Parking Brake Handle |
| 4 - Ignition Switch | 8 - PTO Control |

FIGURE 3



85030

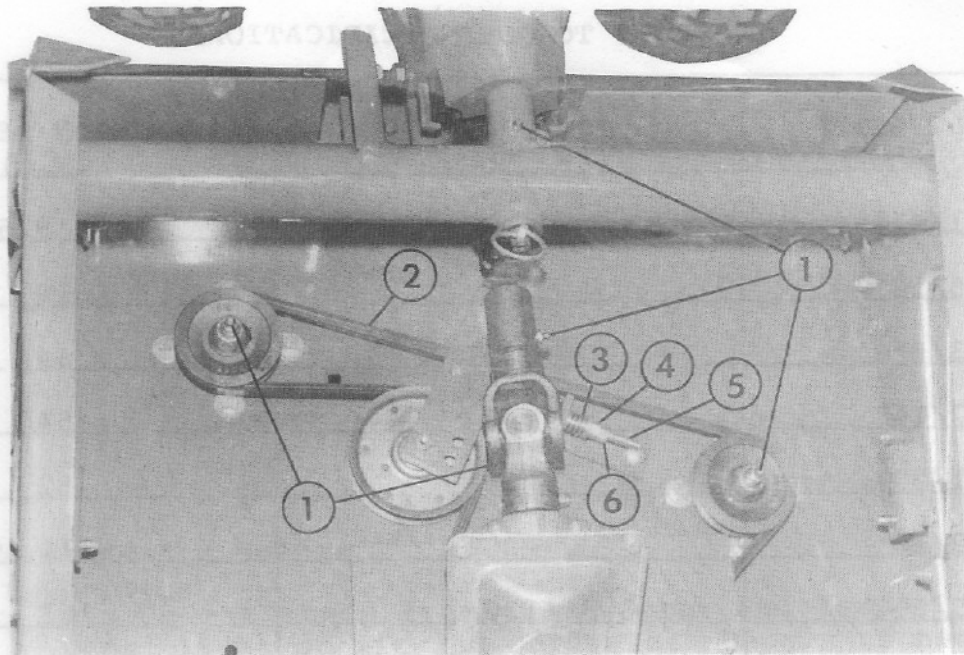
- | |
|-----------------------------|
| 1 - Direction Control Lever |
| 2 - Hourmeter |

FIGURE 4

SECTION 3

Service Instructions

- 3.1 Check the mower belt after the first 8 hours of operation for proper tension. Thereafter, check the mower belt for proper tension every 25 hours of operation. At the end of every day, stop the engine, remove the ignition key, raise the belt cover and clean debris from the mower deck.
- 3.2 To tighten the mower belt:
1. Stop the engine. Remove the ignition key.
 2. Unfasten the latches and raise the belt guard.
 3. Loosen the jam nut on the idler rod. See Figure 5.
 4. Turn the adjusting nut on the idler rod until the gap between the coils of the spring is .010" to .015" (.25mm to .38mm).
 5. Hold the adjusting nut and lock the jam nut against it.
 6. Lower and fasten the belt guard.
- 3.3 To replace the mower belt:
1. Stop the engine. Remove the ignition key.
 2. Unfasten the latches and raise the belt guard.
 3. Remove the two nuts, the flat washer, and the spring from the idler rod. Loosen the four bolts and nuts which hold the gear box support to the deck enough to slide the belt under the drive sheave. Loosen the idler pivot arm assembly hardware enough to slide the belt under the idler sheave. Remove the old belt.
 4. Arrange the new mower belt on the spindle sheaves, drive sheave and idler pulley. Tighten the gear box support and idler pivot arm assembly hardware. Put the idler rod back through the spring support. Put the spring, the flat washer, and the two nuts back on the idler rod. See Figure 5.
 5. To tighten the mower belt, turn the adjusting nut on the idler rod until the gap between the coils of the spring is .010" and .015" (.25mm to .38mm). When the belt is tight, hold the adjusting nut and lock the jam nut against it.
 6. Lower and fasten the belt guard.



86010

- | | |
|--------------------------|-------------------|
| 1 - Lubrication Fittings | 4 - Adjusting Nut |
| 2 - Belt | 5 - Idler Rod |
| 3 - Spring | 6 - Jam Nut |

FIGURE 5

3.4 To sharpen the mower blades:

1. Turn the engine off. Remove the ignition key. Remove the ignition wire from the spark plug.
2. Remove the lock nuts, the flat washers, and the blades from the spindle shafts.
3. Sharpen the beveled edges of the blades. Do not change the angle of the beveled edge. If more than 0.5 inches (12.7mm) are removed from the width of a blade, discard the blade. Make sure the sharpened blades are balanced.
4. Put the blades, the washers, and the lock nuts back on the spindle shafts.
5. Tighten the lock nuts to a torque of 120 ft. lbs. (163 N.m).
6. Put the ignition wire back on the spark plug.

3.5 Checking the Fasteners

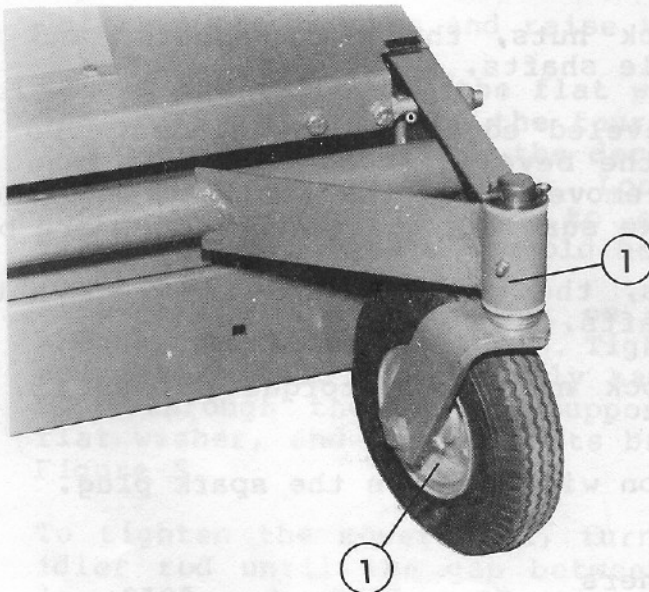
Each day before operating, check all nuts, bolts, and other fasteners. Replace fasteners that are missing or damaged. Tighten all nuts and bolts to the torque shown in Chart 1 unless shown differently.

BOLT TORQUE SPECIFICATIONS		
BOLT SIZE	FOOT POUNDS (ft. lbs.)	NEWTON METERS (N.m)
1/4"	7	9.5
5/16"	14	19
3/8"	25	34
7/16"	40	54
1/2"	60	82
9/16"	83	113
5/8"	120	163
3/4"	200	217

Chart 1

3.6 Lubrication

There are lube fittings on each caster wheel (2), caster fork (2), mower spindle (2), the drive shaft, universal joint and mower frame. After every 8 hours of operation, clean the fittings and add multi-purpose grease. See Figures 5 and 6. Also keep a thin film of grease on the all-thread bolt (Figure 7).




1 - Lubrication Fittings
FIGURE 6

SECTION 4

Storage


4.1 To store the mower:

1. Remove the mower from the tractor and inspect for damage, wear, loose or missing hardware. Repair as needed.
2. Clean the unit thoroughly.
3. Sharpen and balance the blades.
4. Put paint or lubricant wherever paint has been removed.
5. See your engine manual for engine storage instructions.

 **WARNING:** Fuel is very flammable. Make sure the muffler and other engine parts are cool before removing the fuel from the fuel tank. Clean up spills immediately.

4.2 To take the mower out of storage, do the following:

1. Put fresh, clean fuel in the fuel tank.

 **WARNING:** Fuel is very flammable. Clean any spilled fuel before starting the engine.

2. Begin the maintenance schedule specified in Section 3 of this manual and the tractor manual.

SECTION 5

Problem Solving

5.1 If the mower will not mow when the engine is running and the PTO control is in the "ON" position, do the following:

1. Stop the engine. Remove the ignition key.
2. See if the mower belt is broken or off the pulleys. If necessary, install or replace the belt. See Section 3.

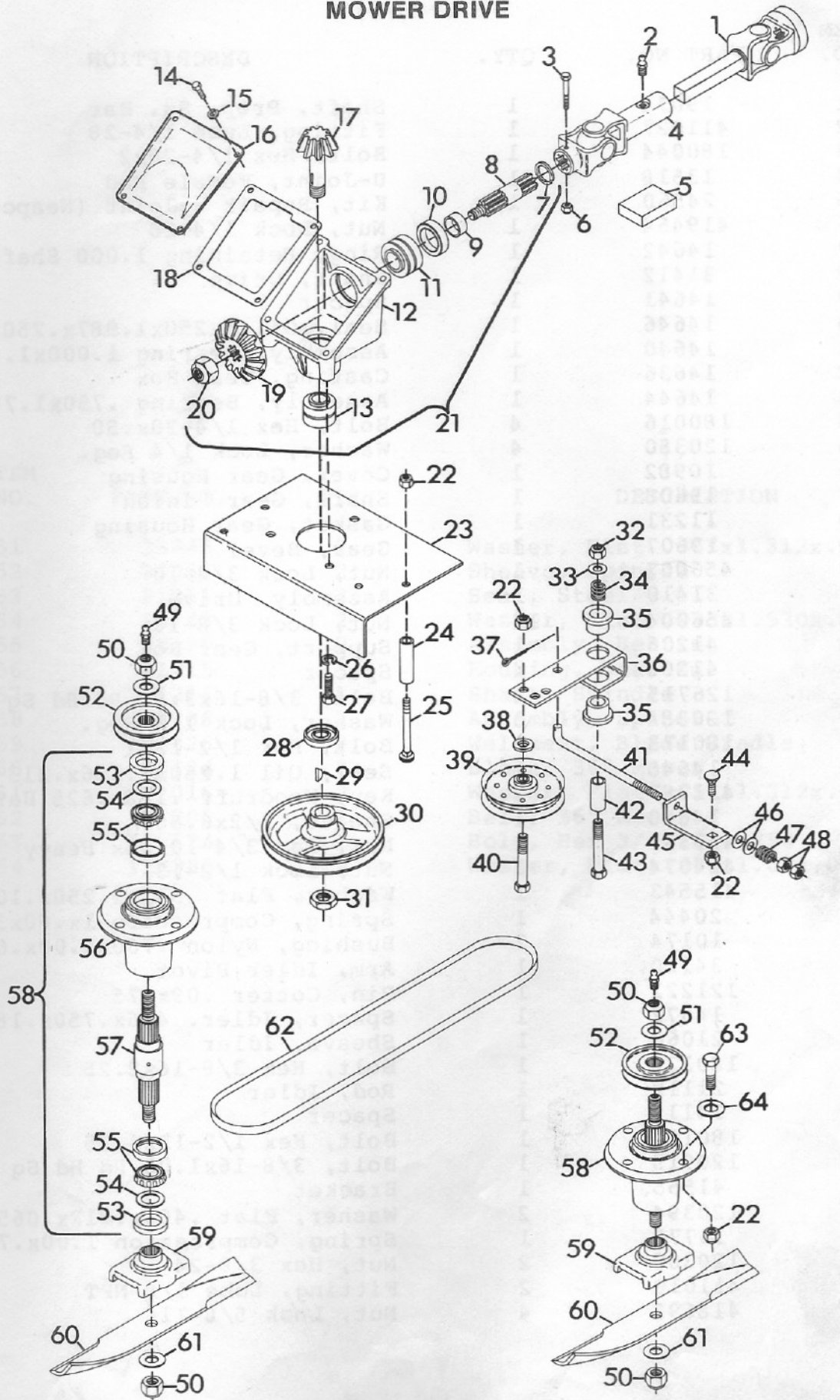
5.2 If there are changes in the sound or vibrations of the mower, do the following:

1. Stop the engine. Remove the ignition key. Remove the ignition wire from the spark plug.
2. Check the mower blades. If either is damaged, replace that blade.
3. See that the fasteners holding the blades are tightened to a torque of 120 ft. lbs. (163 N.m).
4. Check all the fasteners on the equipment. See Section 3.

SECTION 6

Illustrated Parts and Parts List

MOWER DRIVE



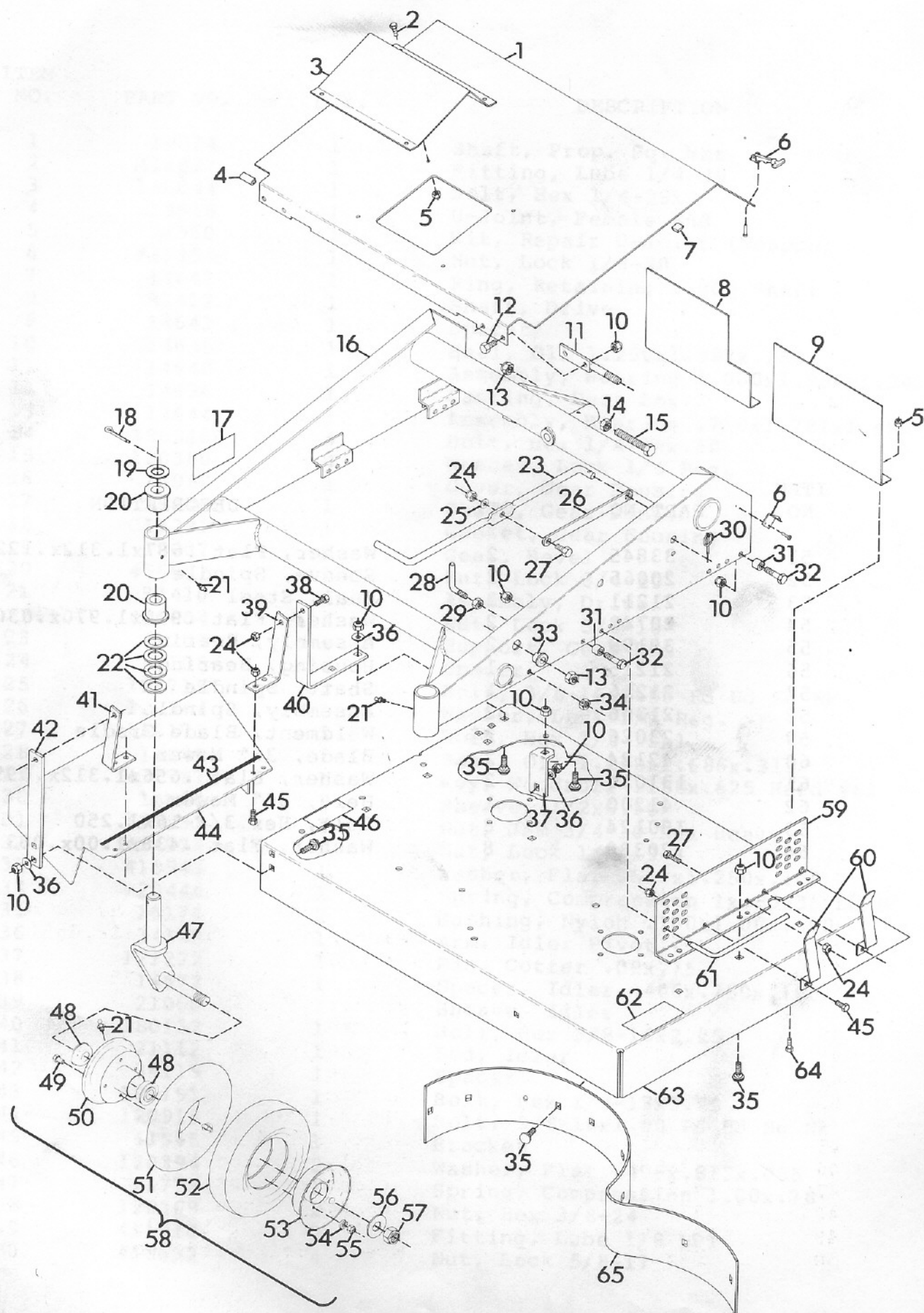
MOWER DRIVE

ITEM NO.	PART NO.	QTY.	DESCRIPTION
1	19074	1	Shaft, Prop. Sq. Bar
2	411027	1	Fitting, Lube 1/4-28
3	180044	1	Bolt, Hex 1/4-20x2
4	13518	1	U-Joint, Female End
5	24560	1	Kit, Repair U-Joint (Neapco)
6	419454	1	Nut, Lock 1/4-20
7	14642	1	Ring, Retaining 1.000 Shaft
8	31412	1	Shaft, Drive
9	14641	1	Spacer
10	14646	1	Seal, Oil 1.250x1.987x.250
11	14640	1	Assembly, Bearing 1.000x1.980x1.243
12	14636	1	Casting, Gear Box
13	14644	1	Assembly, Bearing .750x1.781x1.499
14	180016	4	Bolt, Hex 1/4-20x.50
15	120380	4	Washer, Lock 1/4 Reg.
16	10982	1	Cover, Gear Housing
17	19608	1	Shaft, Gear Pinion
18	11231	1	Gasket, Gear Housing
19	19607	1	Gear, Bevel
20	456007	1	Nut, Lock 3/4-10
21	31410	1	Assembly, Drive
22	456004	14	Nut, Lock 3/8-16
23	41206	1	Support, Gear Box
24	41208	4	Spacer
25	126715	4	Bolt, 3/8-16x3.50 Rd Hd Sq Nk
26	120384	3	Washer, Lock 1/2 Reg.
27	180173	3	Bolt, Hex 1/2-13x1
28	14645	1	Seal, Oil 1.250x1.686x.313
29	431787	1	Key, Woodruff .188x.625 Hard #61
30	14660	1	Sheave, 1/2x6.50
31	451539	1	Nut, Jam 3/4-10 Hex Heavy
32	414074	1	Nut, Lock 1/2-13
33	415543	1	Washer, Flat .531x1.250x.100
34	20444	1	Spring, Compression 1x.80x36 Lb/N
35	10174	2	Bushing, Nylon .760x1.00x.600
36	34120	1	Arm, Idler Pivot
37	121222	1	Pin, Cotter .09x.75
38	14672	1	Spacer, Idler. 406x.750x.188
39	21060	1	Sheave, Idler
40	180132	1	Bolt, Hex 3/8-16x2.25
41	21112	1	Rod, Idler
42	34119	1	Spacer
43	180191	1	Bolt, Hex 1/2-13x3.25
44	120915	1	Bolt, 3/8-16x1.00 Rd Hd Sq Nk
45	41555	1	Bracket
46	120394	2	Washer, Flat .406x.812x.065
47	11779	1	Spring, Compression 1.00x.78
48	120369	2	Nut, Hex 3/8-24
49	411010	2	Fitting, Lube 1/8 NPT
50	418692	4	Nut, Lock 5/8-11

MOWER DRIVE

ITEM NO.	PART NO.	QTY.	DESCRIPTION
51	33845	2	Washer, Flat .687x1.312x.122
52	20065	2	Sheave, Spindle
53	21211	2	Seal, Steel
54	20743	2	Washer, Flat .975x1.970x.030
55	38199	2	Assembly, Bearing
56	21215	1	Housing, Bearing
57	21216	1	Shaft, Spindle
58	21306	2	Assembly, Spindle
59	23026	2	Weldment, Blade Cradle
60	42124	2	Blade, 36" Mower
61	131016	2	Washer, Flat .656x1.312x.095
62	41200	1	Belt, 36" Mower
63	180124	8	Bolt, Hex 3/8-16x1.250
64	120388	8	Washer, Flat .438x1.00x.083

MOWER FRAME



MOWER FRAME

ITEM NO.	PART NO.	QTY.	DESCRIPTION
1	41218	1	Shield
2	180018	4	Bolt, Hex 1/4-20x.625
3	41558	1	Cover, Hole
4	41554	2	Strip, Bumper
5	419454	8	Nut, Lock 1/4-20
6	41553	2	Latch, Flexible Draw
7	40176	6	Stop
8	41557	1	Shield, Rear R.H.
9	41556	1	Shield, Rear L.H.
10	456004	28	Nut, Lock 3/8-16
11	41471	2	Bracket, Hinge
12	180121	4	Bolt, Hex 3/8-16x.875
13	435507	3	Nut, Lock 1/2-13
14	120238	1	Nut, Jam 1/2-13 Hex
15	13410	1	Bolt, Hex 1/2-13x3.00 All Thd.
16	41203	1	Weldment, Mower Frame
17	33926	1	Decal, Danger Hand
18	103409	2	Pin, Cotter .187x1.50
19	19340	2	Race, Bearing Thrust
20	18355	4	Bushing, Pivot
21	411027	4	Fitting, Lube 1/4-28
22	41559	8	Washer, Flat 1.0x1.5x.125
23	41908	1	Handle, Lift
24	419455	13	Nut, Lock 5/16-18
25	120393	1	Washer, Flat .344x.688x.065
26	41909	1	Strap, Lift
27	180079	3	Bolt, Hex 5/16-18x1.00
28	13457	1	Handle, Adjusting
29	120377	1	Nut, Hex 3/8-16
30	23468	1	Pin, Klik
31	21076	4	Bushing .391x.622x.670
32	180126	4	Bolt, Hex 3/8-16x1.50
33	34738	2	Bushing, .513x.750x.625
34	413534	1	Nut, Lock 3/8-16
35	120915	19	Bolt, 3/8-16x1.00 Rd Hd Sq Nk
36	120394	10	Washer, Flat .406x.812x.065
37	41228	4	Bracket
38	180081	2	Bolt, Hex 5/16-18x1.25
39	41198	1	Bracket, Chute Rear
40	41195	1	Bracket
41	41197	1	Bracket, Chute Front
42	41196	1	Bracket
43	38769	2 ft.	Stripe
44	38952	1	Chute, Discharge
45	180077	8	Bolt, Hex 5/16-18x.75
46	33928	1	Decal, Warning Eye
47	41204	2	Weldment, Caster Fork
48	37823	2	Bearing, Gauge Wheel
49	181637	3	Bolt, Hex 3/8-24x.75
50	37825	1	Wheel, Half with Tube

MOWER FRAME

ITEM NO.	PART NO.	QTY.	DESCRIPTION
51	37826	1	Tube, Inner
52	37827	1	Tire, Gauge Wheel
53	37824	1	Wheel, Half Plain
54	131099	3	Washer, Lock 3/8 SP Heavy
55	120369	3	Nut, Hex 3/8-24
56	131017	2	Washer, Flat .812x1.496x.134
57	456007	2	Nut, Lock 3/4-10
58	37797	2	Wheel, Gauge
59	38515	1	Bracket, Mower Support
NS	38516	1	Bracket, Mower Support
60	41201	4	Spring, Pin
61	38514	4	Pin, Mower Locking
62	33927	1	Decal, Danger Foot
63	41231	1	Weldment, 36" Deck
64	180020	4	Bolt, Hex 1/4-20x.750
65	41229	1	Scroll
NS	10697	1	Decal, Commercial Front
NS	24608	1	Decal, Gravely Logo
NS	42192	1	Decal, Belt Diagram

SECTION 7

Specifications

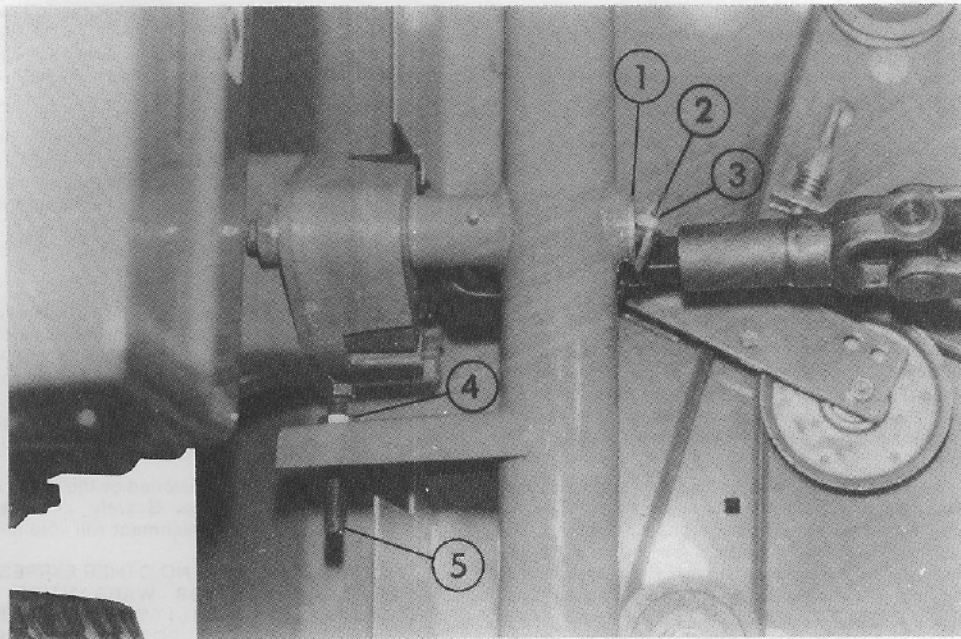
Width of Cut:	36 in. (914mm)
Heights of Cut:	1" (25.4mm) - 4" (102mm) in 1/4" (6.4mm) increments
Number of Spindles:	2 (1.0" diameter spindle shafts)
Blades: Length	17.66 in. (449mm)
Thickness	.250 in. (6.4mm)
Weight:	228 lbs. (103.5 kg)
Width:	44.0 in. (1118mm)
Height:	16.5 in. (419mm)
Length:	39.0 in. (991mm)
Deck Thickness:	.18 in. (4.6mm)

NOTE: Dimension for heights of cut are based on Two-Wheel Tractors equipped with 18x6.50x8 Turf Tread tires. Other tires and/or tire pressures will slightly change these heights.

SECTION 8

Set-Up Instructions

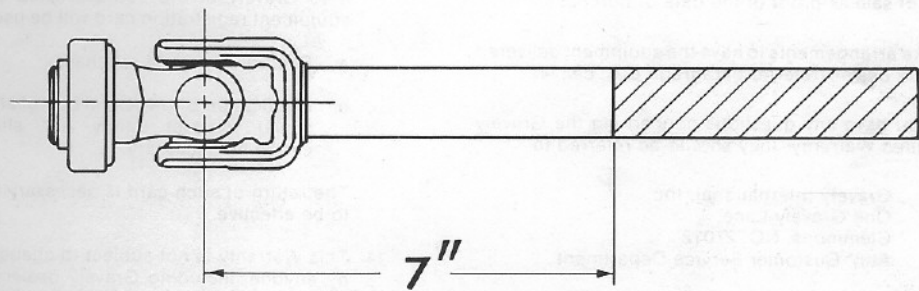
- 8.1 Remove the mower from the shipping container.
- 8.2 Attach the discharge chute to the brackets on the mower deck using two 5/16-18x1.25 hex bolts and hex nuts.
- 8.3 Unfasten both draw latches and raise the belt cover.
- 8.4 Put the 1/2-13 jam nut on the 1/2-13x3.00 all-thread hex bolt and thread it all the way up to the head of the bolt. Put the bolt into the threaded hole in the left side of the brace on the mower frame. Turn the bolt until the jam nut touches the brace.
- 8.5 Put a film of grease on the quick hitch pin. Position the tractor behind the mower and slide the pin into the tube on the mower frame. Retain with a flat washer and klik pin.
- 8.6 Adjust the all thread bolt in the mower frame for 1/4" and 3/8" clearance from the casting and lock with the lock nut and jam nut. When the grass catcher is to be used, adjust the bolt to touch the casting and lock the nuts. See Figure 7.
- 8.7 Cut the universal joint assembly shaft to the length shown in Diagram 3.
- 8.8 Put a film of grease on the shaft of the universal drive assembly. Slide the shaft into the tube of the universal joint (female) assembly.
- 8.9 Pull (or rotate) the locking collar toward the U-joint and slide onto the tractor PTO shaft. Release the locking collar. Pull on the drive to make sure that the drive has locked in place.
- 8.10 Tighten the mower drive belt by adjusting the nut on the idler rod until the gap between the coils of the spring is .010" to .015" (.25mm to .38mm). Hold the adjusting nut and lock the jam nut against it.
- 8.11 Lower the belt cover and fasten the draw latches.
- 8.12 If the deck is not level, remove the cotter pins from the caster forks, slide the fork out of the tube and reposition the washers either to the top or bottom of the mower frame. Always leave the thrust race on top. Replace the cotter pins.



86012

- | | |
|---------------------|---------------------|
| 1 - Flat Washer | 4 - Jam Nut |
| 2 - Klik Pin | 5 - All Thread Bolt |
| 3 - Quick Hitch Pin | |

FIGURE 7



84029

DIAGRAM 3

SECTION 9

LIMITED FIVE-YEAR WARRANTY

1. This Limited Five-Year Warranty is issued by Gravely International, Inc., only to the original purchaser. If Gravely equipment is leased by Gravely, this Warranty shall extend also to the original lessee as if such lessee were the original purchaser.
2. Gravely warrants that all new equipment manufactured by Gravely ("Gravely Products") shall be free of defects in material and workmanship for the term described in paragraph 4. below. Except as hereinafter provided, this Warranty does not cover any engine, tires or battery forming a part of the Gravely Product. Engine and tires are covered by and subject to separate warranties of the manufacturers thereof.
3. In the event that any Gravely Product warranted hereunder shall be defective or fail to conform with this Warranty, Gravely shall, subject to the provisions hereof, pay for, or provide labor and materials for, the repair or replacement of such defective Gravely Product.
4. This Warranty is for five years (60 months) from purchase date for Gravely Products used exclusively for personal, family or household purposes, and two years (24 months) for products used for other purposes (commercial use). Repair of Gravely Products after the second year (24 months from date of purchase) shall be subject to a \$50.00 deductible for each repair. (After two years, Gravely agrees to repair or replace defective Gravely Products used exclusively for personal, family or household purposes only to the extent that the cost of such repair or replacement exceeds \$50.00.)

Batteries are warranted by Gravely for a period of twelve (12) months only. If a battery shall fail within twelve (12) months of purchase, the replacement cost thereof shall be prorated over a twelve-month term based upon the number of months since purchase.
5. To obtain Warranty Service on a Gravely Product (including any battery or other component not manufactured by Gravely), use this procedure:
 - a. Notify the Gravely dealer from whom you purchased the equipment.
 - b. If you have moved and it is not convenient to notify the selling dealer, notify the nearest Gravely dealer. You should supply this dealer with a copy of the bill of sale as proof of the date of purchase.
 - c. Make arrangements to have the equipment delivered to the dealer (refer to paragraph 6 a., below).
 - d. If you have any questions concerning the Gravely Limited Warranty, they should be referred to:

Gravely International, Inc.
One Gravely Lane
Clemmons, NC 27012
Attn: Customer Service Department
 - e. Warranty service on Gravely Products must be performed by an authorized Gravely dealer.
6. This Warranty does not cover the following:
 - a. Transportation to the Gravely dealership. (If the Gravely dealer provides transportation, he will charge for such service.)
 - b. Normal maintenance services and normal replacement of items such as spark plugs, belts, oil, oil filters, air filters, and mower, plow or cultivator blades, gauge wheels, skids and other wear items.
 - c. Any Gravely Product which has been altered or modified in any way.
 - d. Any repair or replacement occasioned by customer neglect or lack of proper maintenance. (The purchaser is responsible for making sure that Gravely Products are operated and serviced as directed in the applicable manual or service instruction. Incorrect use or maintenance will void this Warranty.)
 - e. Any repair occasioned by the use of any attachment not approved by Gravely. (The use of any such unapproved attachment will void this Warranty.)
7. GRAVELY MAKES NO OTHER EXPRESS OR IMPLIED WARRANTIES, OR WARRANTIES AS TO THE MERCHANTABILITY OR FITNESS FOR A PARTICULAR PURPOSE. ALL WARRANTIES ARE LIMITED IN DURATION TO THE TERMS SET OUT IN PARAGRAPH 4. ABOVE. GRAVELY SHALL HAVE NO LIABILITY FOR INCIDENTAL OR CONSEQUENTIAL DAMAGES RESULTING FROM THE BREACH OF ANY WARRANTY, INCLUDING, BUT NOT LIMITED TO, LIABILITY FOR INCONVENIENCE, RENTAL OR PURCHASE OF REPLACEMENT EQUIPMENT, OR FOR LOSS OF PROFITS OR OTHER COMMERCIAL LOSS.
8. Some states do not allow limitations on how long an implied warranty lasts, so the above statement may not apply to you. Some states do not allow the exclusion or limitation of incidental or consequential damages, so the above limitation or exclusion may not apply to you.
9. This Warranty gives you specific legal rights, and you may have other rights which vary from state to state.
10. A Gravely product registration card is supplied with each Gravely Product. Please complete the card and return it to Gravely at the address listed on the card. The equipment registration card will be used by Gravely for:
 - a. Recording date of purchase.
 - b. Notification of owners in compliance with the Consumer Product Safety Act, should any notification be necessary.The return of such card is necessary for your warranty to be effective.
11. This Warranty is not subject to change or modification by anyone, including Gravely dealers and no Gravely dealer is authorized to make any representations or promises on Gravely's behalf.



One Gravely Lane, Clemmons, NC 27012