

# GRAVELY

Rotary Mower, Chain  
and Circular Saw DRIVE

ILLUSTRATED PARTS AND PRICE LIST

PRICES SUBJECT TO CHANGE  
WITHOUT NOTICE

Effective January 1, 1959

## ROTARY MOWER ATTACHMENT Models 58-A & 185

Norbert  
Richardson  
944-3200

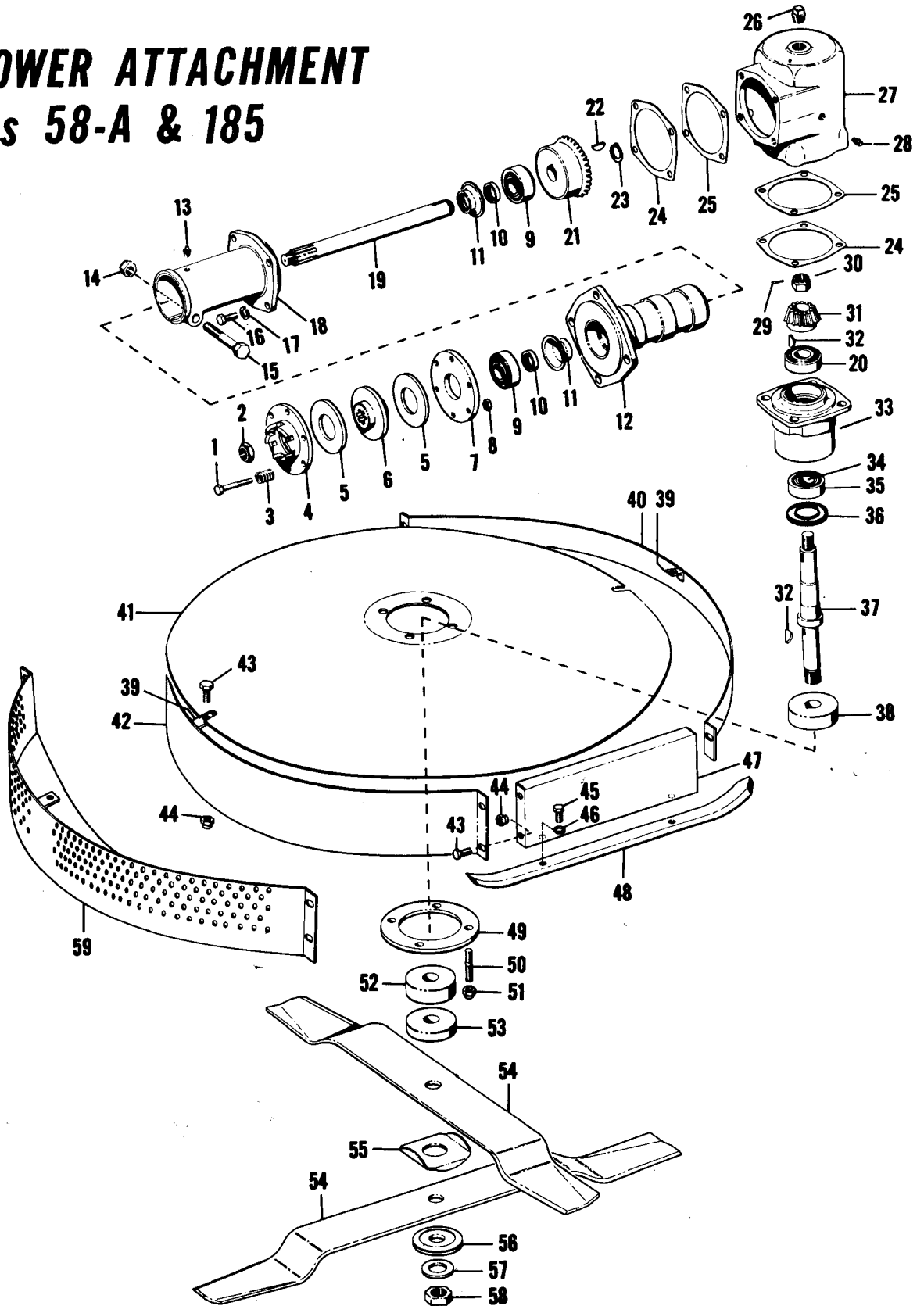


Photo No.	No. Req'd	Part No.	Description	Price
1	6	SC-37	Spring Bolt, Safety Clutch.....	\$.15
2	1	227-N	5/8"-18 NF Nut, Safety Clutch to Drive Shaft.....	.23
3	6	SC-35	Spring, Safety Clutch.....	.15
4	1	SC-30	Dog Plate, Safety Clutch.....	5.57
5	5	SC-34	Friction Washer, Safety Clutch.....	.26
6	6	SC-33-SA	Drive Plate, Splined, Safety Clutch.....	1.46
7	1	SC-32	Back Plate, Safety Clutch.....	.77
8	6	215-N	Jam Hex Nut, Safety Clutch.....	.02
9	2	RB-113-R		
		& RB-113-C	Timken Roller Bearing, for Swivel Casting.....	2.64
10	2	OS-112	Oil Seal, Swivel Casting.....	.70
11	2	A-474	Oil Seal Retainer.....	.11
12	1	A-148	Drive Shaft Housing.....	5.09
13	1	903-G	Grease Fitting, Swivel Casting.....	.11
14	1	241-N	1/2" - 13 NC Nut, for 172-S Screw.....	.15
15	1	172-S	1/2" - 12 NC Bolt, Swivel Casting Clamp.....	.18
16	4	110-S	Hex. Hd. Cap Screw, Swivel Casting to Gear Hsg..	.07
17	4	305-W	Lock Washer, for 110-S Bolts.....	.01
18	1	A-149	Swivel Casting.....	5.05
19	1	A-475	Drive Shaft, in Swivel Casting.....	2.20
20	1	RB-113-R		
		& RB-113-C	Bearing for Rotor Shaft (top).....	2.64
21	1	RO-341	Bevel Gear (large size) Mates with RO-342, 27 tooth, 13/16" bore.....	9.68
22	1	510-K	Woodruff Key for RO-341 Gear.....	.04
23	1	RR-110	Snap Ring for RO-341 Gear to Shaft.....	.22
24		SH-114	Shims - Gear Housing Adjusting .005 thickness.....	.14
			.020 thickness.....	.18
25	2	M-488	Gasket, Gear Housing.....	.06
26	1	702-VP	Vented Oil Filler Plug, for Gear Housing.....	.15
27	1	RO-105	Gear Housing.....	8.23
28	1	701-P	Oil Level Plug, for Gear Housing.....	.07
29	1	607-C	Cotter Pin, for 219-N Pinion Nut.....	.01
30	1	219-N	Pinion Nut, for RO-342 Gear.....	.23
31	1	RO-342	Bevel Pinion, Small Size, Mates with RO-341, 15 tooth 13/16" bore.....	7.37
32	2	504-K	Woodruff Key, for RO-342 Gear and RO-339 Collar.....	.02
33	1	RO-107	Bearing Housing. 3-1/4" Dia. ....	4.24
34	1	RB-112-C	Timken Bearing Cone, for RO-343 Shaft. ....	2.26
35	1	RB-110-R	Timken Bearing Cup, for RO-343 Shaft. ....	1.38
36	1	RO-344	Rotor Oil Seal, 1-3/8" I.D. ....	.75
37	1	RO-343	Rotor Shaft.....	4.50
38	1	RO-339	Fixed Collar, Keywayed.....	1.76
39	2	RO-317	Fender Bracket.....	.22
40	1	RO-316	Front Fender.....	2.20
39/40		RO-316/7-AY	Fender Bracket and Front Fender, welded ass'y...	2.42
41	1	RO-313	Rotor Guard.....	18.70
41/47		RO-313/4-AY	ASSEMBLY: 1 Rotor Guard and 2 Skid Panels, welded assembly.....	22.00
42	1	RO-315	Rear Fender.....	3.03
39/42		RO-315/7-AY	Rear Fender and Bracket, welded assembly, (RO-317/RO-315).....	3.25
43	8	114-S	Hex. Hd. Cap Screw, fender securing.....	.09
44	8	233-N	Nut, for 114-S Bolt.....	.08
45	4	115-S	Hex. Hd. Cap Screw, Skid to Panel.....	.08
46	4	304-W	Lock Washer, for 115-S Bolt.....	.01
47	2	RO-314	Skid Panel.....	1.65
48	2	RO-318	Skid.....	1.32
49	Opt.	RO-335	Guard Flange.....	.61
50	4	RO-340	Rotor Guard Stud, to Gear Housing. (Or use 112-S Bolt).....	.13
Not Shown	4	RO-345	Locking Clip for 112-S Bolt.....	.05
51	4	243-N	Guard Nut, for RO-340 Studs.....	.13
52	1	RO-326	Loose Collar, 3/4" thick.....	1.76
53	1	RO-325	Loose Collar, 1/2" thick.....	1.38
54	2	RO-336	Rotary Blade, Right Hand.....	3.50
55	1	RO-332	Spacing Washer.....	.39
56	1	RO-324	Loose Collar, 1/4" thick.....	1.05
57	2	414-W	Washer, for 244-N Nut.....	.04
58	1	244-N	Nut, for Rotor Shaft.....	.23
59			Leaf Mulcher (See Equipment Price List).....	

## GRAVELY TRACTORS, INC.

Manufacturers

DUNBAR. WEST VIRGINIA